

# PRODUCT INFORMATION PACKET

Model No: 404THFCD9077

Catalog No: W589A-P

Fire Pump Motor, 60 HP, 3 Ph, 60 Hz, 460 V, 1200 RPM, 404T Frame, TEFC



Regal and Marathon are trademarks of Regal Rexnord Corporation or one of its affiliated companies.  
©2022 Regal Rexnord Corporation, All Rights Reserved. MC017097E



**Nameplate Specifications**

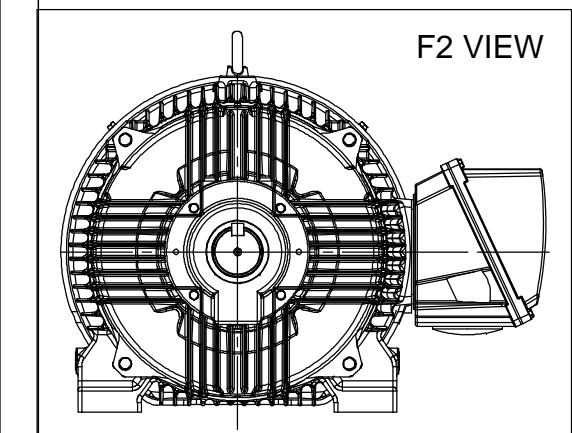
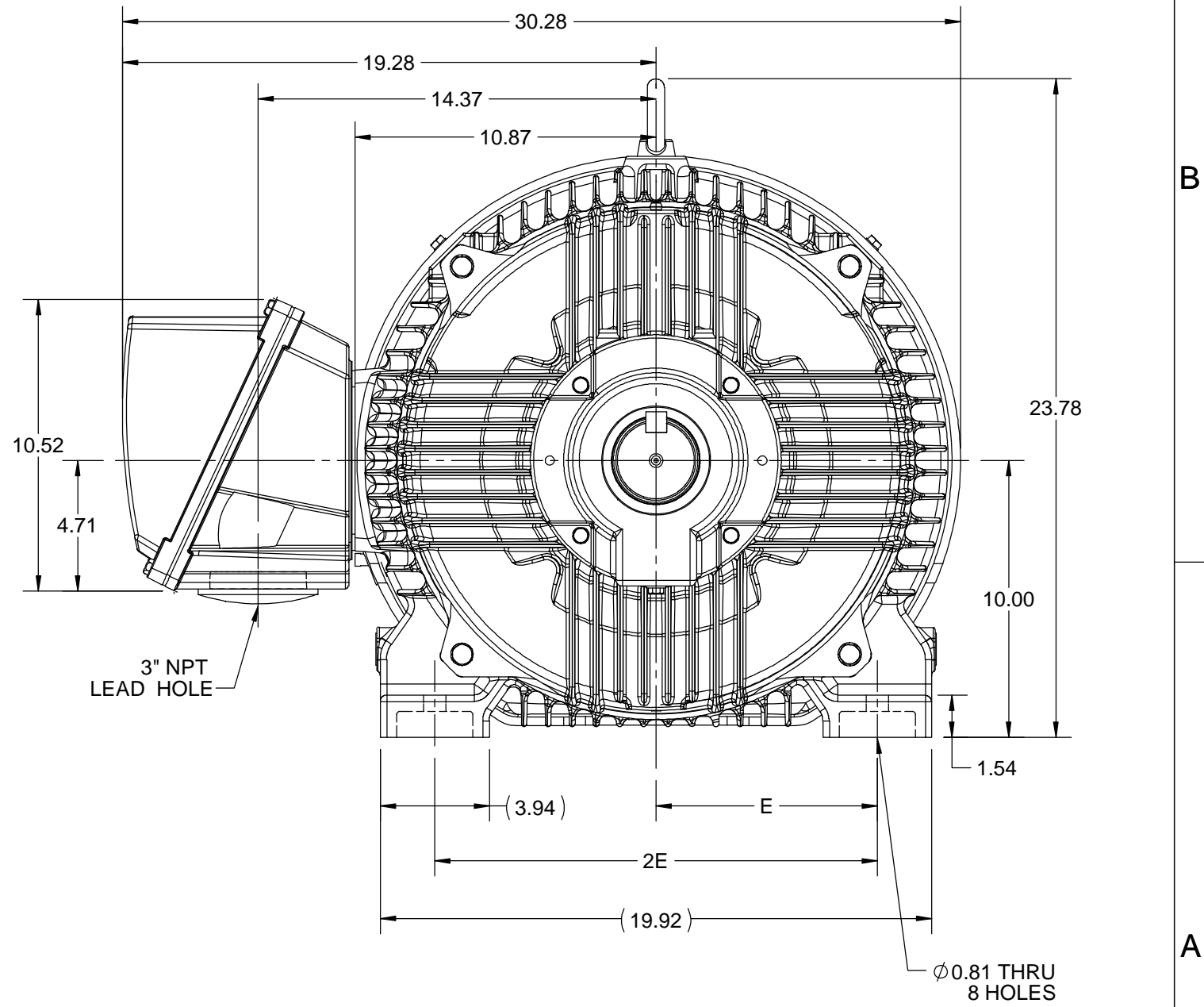
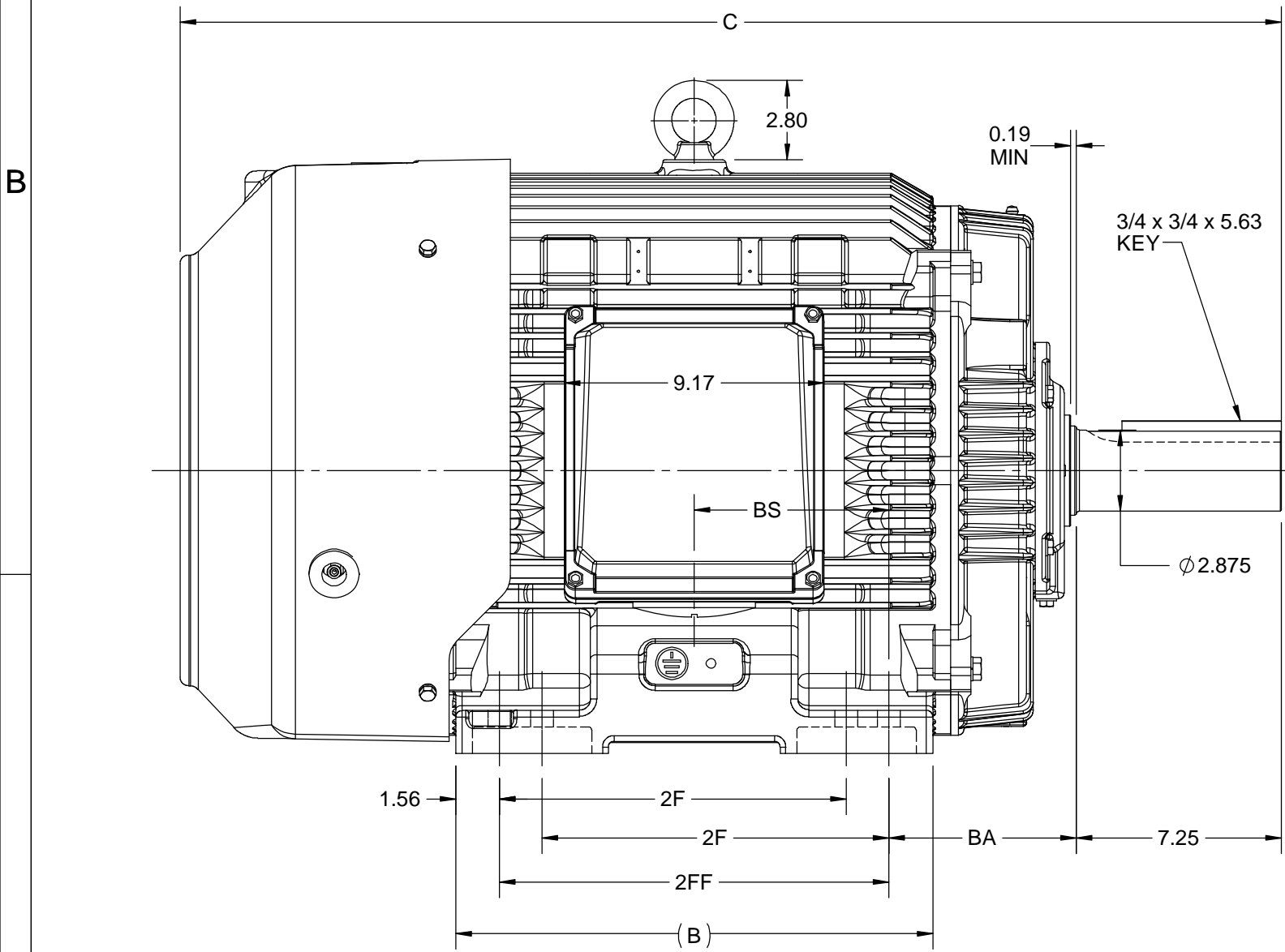
Output HP	<b>60 Hp</b>	Output KW	<b>45.0 kW</b>
Frequency	<b>60 Hz</b>	Voltage	<b>460 V</b>
Current	<b>71.5 A</b>	Speed	<b>1190 rpm</b>
Service Factor	<b>1.15</b>	Phase	<b>3</b>
Efficiency	<b>94.5 %</b>	Power Factor	<b>83</b>
Duty	<b>Continuous</b>	Insulation Class	<b>H</b>
Design Code	<b>B</b>	KVA Code	<b>G</b>
Frame	<b>404T</b>	Enclosure	<b>Totally Enclosed Fan Cooled</b>
Thermal Protection	<b>No Protection</b>	Ambient Temperature	<b>40 °C</b>
Drive End Bearing Size	<b>6316</b>	Opp Drive End Bearing Size	<b>6314</b>
UL	<b>Recognized</b>	CSA	<b>Y</b>
CE	<b>Y</b>	IP Code	<b>56</b>
Number of Speeds	<b>1</b>		

**Technical Specifications**

Electrical Type	<b>Squirrel Cage Inverter Rated</b>	Starting Method	<b>Line Or Inverter</b>
Poles	<b>6</b>	Rotation	<b>Reversible</b>
Resistance Main	<b>.116 Ohms</b>	Mounting	<b>Rigid Base</b>
Motor Orientation	<b>Horizontal</b>	Drive End Bearing	<b>Ball</b>
Opp Drive End Bearing	<b>Ball</b>	Frame Material	<b>Cast Iron</b>
Shaft Type	<b>T</b>	Shaft Diameter	<b>2.875 in</b>
Assembly/Box Mounting	<b>F1/F2 CAPABLE</b>	Inverter Load	<b>CONSTANT 2:1/VARIABLE 10:1</b>
Outline Drawing	<b>SS557665</b>	Connection Drawing	<b>EE7300U</b>

This is an uncontrolled document once printed or downloaded and is subject to change without notice. Date Created:12/14/2022

4			3					2		1
B	C	E	2E	2F	2FF	BA	BS	MOUNTING		
16.85	38.88	8.00	16.00	12.25	13.75	6.62	6.87	F1 OR F2		

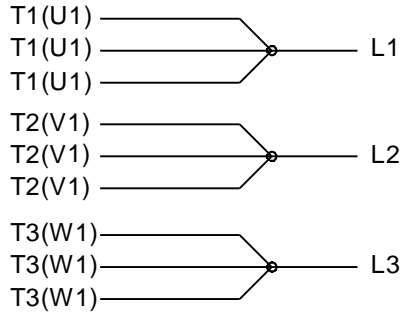


DRAWING REVISION C	REVISION BY VS	REV DATE/© DATE 25-11-2020
ECO ECO-0195088	APPROVED BY GNK	DATE 25-11-2020
ECO DESCRIPTION <b>DRAWING UPDATED</b>		
<small>COPYRIGHT (PER REVISION DATE) REGAL BELOIT AMERICA, INC. ALL RIGHTS RESERVED. PROPRIETARY AND CONFIDENTIAL INFORMATION - THIS DOCUMENT IS THE PROPERTY OF REGAL BELOIT AMERICA, INC. ("OWNER") AND CONTAINS OWNER'S PROPRIETARY INFORMATION. ANY PERSON, CORPORATION OR OTHER FIRM RECEIVING IT IS DEEMED, BY RECEIVING IT, TO AGREE THAT IT, AND/OR ANY PART OF IT, SHALL NOT BE DISCLOSED TO ANY PERSON, CORPORATION OR OTHER ENTITY, DUPLICATED, AND/OR USED, EXCEPT AS EXPRESSLY APPROVED IN WRITING IN ADVANCE BY OWNER. THIS DOCUMENT SHALL BE RETURNED TO OWNER UPON REQUEST. IT MAY BE SUBJECT TO CERTAIN RESTRICTIONS UNDER APPLICABLE EXPORT CONTROL LAWS AND REGULATIONS.</small>		

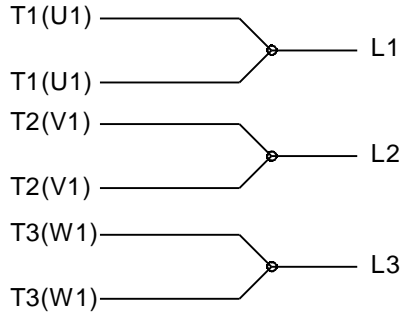
PRIMARY DIMENSIONS ARE INCH  
mm DIMENSIONS IN [BRACKETS]  
ARE FOR REFERENCE ONLY

DRAWN BY BISWA	Regal Beloit America, Inc.
DATE 12/24/2018	
APPROVED BY SBD	DESCRIPTION <b>OUTLINE</b> 404/405T FR-SD & IEEE841
DATE 12/24/2018	MATERIAL
REFERENCE	PROCESS/FINISH
THIRD ANGLE PROJECTION	SIZE B
	DRAWING NUMBER SS557665
	SHEET 1 OF 1

**IF MOTOR HAS 9 LEADS**



**IF MOTOR HAS 6 LEADS**



A-9806 DECAL IF CALLED FOR

**IF MOTOR HAS 12 LEADS**



**VIEW OF TERMINAL END**

DRAWING REVISION <b>L</b>	REVISION BY <b>AJW</b>	DATE <b>05-04-2015</b>	TOLERANCES UNLESS OTHERWISE SPECIFIED:	DRAWN BY <b>DRS</b>	<b>Regal Beloit America, Inc.</b>																			
ECO <b>ECO-0077067</b>	APPROVED BY <b>EWH</b>	DATE <b>05-05-2015</b>	<table style="width: 100%; border-collapse: collapse;"> <tr> <td style="text-align: center;"><u>DEC.</u></td> <td style="text-align: center;"><u>INCH</u></td> <td style="text-align: center;"><u>mm</u></td> <td style="text-align: center;"><u>ANGLE</u></td> </tr> <tr> <td style="text-align: center;">.X</td> <td style="text-align: center;">±0.1</td> <td style="text-align: center;">[±2.5]</td> <td style="text-align: center;">±7' 30"</td> </tr> <tr> <td style="text-align: center;">.XX</td> <td style="text-align: center;">±0.02</td> <td style="text-align: center;">[±0.51]</td> <td></td> </tr> <tr> <td style="text-align: center;">.XXX</td> <td style="text-align: center;">±0.005</td> <td style="text-align: center;">[±0.127]</td> <td></td> </tr> <tr> <td style="text-align: center;">.XXXX</td> <td style="text-align: center;">±0.0005</td> <td style="text-align: center;">[±0.0127]</td> <td></td> </tr> </table>	<u>DEC.</u>			<u>INCH</u>	<u>mm</u>	<u>ANGLE</u>	.X	±0.1	[±2.5]	±7' 30"	.XX	±0.02	[±0.51]		.XXX	±0.005	[±0.127]		.XXXX	±0.0005	[±0.0127]
<u>DEC.</u>	<u>INCH</u>	<u>mm</u>	<u>ANGLE</u>																					
.X	±0.1	[±2.5]	±7' 30"																					
.XX	±0.02	[±0.51]																						
.XXX	±0.005	[±0.127]																						
.XXXX	±0.0005	[±0.0127]																						
ECO DESCRIPTION <b>UPDATED TO SOLIDWORKS</b> <small>COPYRIGHT REGAL BELOIT AMERICA, INC. ALL RIGHTS RESERVED. PROPRIETARY AND CONFIDENTIAL INFORMATION - THIS DOCUMENT IS THE PROPERTY OF REGAL BELOIT AMERICA, INC. ("OWNER") AND CONTAINS OWNER'S PROPRIETARY INFORMATION. ANY PERSON, CORPORATION OR OTHER FIRM RECEIVING IT IS DEEMED, BY RECEIVING IT, TO AGREE THAT IT, AND/OR ANY PART OF IT, SHALL NOT BE DISCLOSED TO ANY PERSON, CORPORATION OR OTHER ENTITY, DUPLICATED, AND/OR USED, EXCEPT AS EXPRESSLY APPROVED IN WRITING IN ADVANCE BY OWNER. THIS DOCUMENT SHALL BE RETURNED TO OWNER UPON REQUEST. IT MAY BE SUBJECT TO CERTAIN RESTRICTIONS UNDER APPLICABLE EXPORT CONTROL LAWS AND REGULATIONS.</small>			REMOVE BURRS & BREAK SHARP EDGES: .003/.015 [.076/.381] X 45° CORNER FILLETS: R.02 [.51] MACHINED SURFACES: 200 $\sqrt{\text{INCH}}$ 5.1 $\sqrt{\text{mm}}$	APPROVED BY <b>GK</b>	DESCRIPTION <b>CONN DIAGRAM-EXTERNAL</b> 3Ø SINDLE VOLTAGE																			
			DATE <b>09-30-1996</b>	REFERENCE			MATERIAL	PROCESS/FINISH																
mm SHOWN IN [BRACKETS]			THIRD ANGLE PROJECTION	SIZE <b>A</b>	DRAWING NUMBER <b>EE7300U</b>	SHEET <b>1 OF 1</b>																		