

# PRODUCT INFORMATION PACKET

Model No: 405THFCD9077

Catalog No: W596A-P

Fire Pump Motor, 75 HP, 3 Ph, 60 Hz, 460 V, 1200 RPM, 405T Frame, TEFC



Regal and Marathon are trademarks of Regal Rexnord Corporation or one of its affiliated companies.  
©2022 Regal Rexnord Corporation, All Rights Reserved. MC017097E



**Nameplate Specifications**

|                        |                      |                            |                                    |
|------------------------|----------------------|----------------------------|------------------------------------|
| Output HP              | <b>75 Hp</b>         | Output KW                  | <b>56.0 kW</b>                     |
| Frequency              | <b>60 Hz</b>         | Voltage                    | <b>460 V</b>                       |
| Current                | <b>89.0 A</b>        | Speed                      | <b>1188 rpm</b>                    |
| Service Factor         | <b>1.15</b>          | Phase                      | <b>3</b>                           |
| Efficiency             | <b>94.5 %</b>        | Power Factor               | <b>83.5</b>                        |
| Duty                   | <b>Continuous</b>    | Insulation Class           | <b>H</b>                           |
| Design Code            | <b>B</b>             | KVA Code                   | <b>G</b>                           |
| Frame                  | <b>405T</b>          | Enclosure                  | <b>Totally Enclosed Fan Cooled</b> |
| Thermal Protection     | <b>No Protection</b> | Ambient Temperature        | <b>40 °C</b>                       |
| Drive End Bearing Size | <b>6316</b>          | Opp Drive End Bearing Size | <b>6314</b>                        |
| UL                     | <b>Recognized</b>    | CSA                        | <b>Y</b>                           |
| CE                     | <b>Y</b>             | IP Code                    | <b>56</b>                          |
| Number of Speeds       | <b>1</b>             |                            |                                    |

**Technical Specifications**

|                       |                                     |                   |                                   |
|-----------------------|-------------------------------------|-------------------|-----------------------------------|
| Electrical Type       | <b>Squirrel Cage Inverter Rated</b> | Starting Method   | <b>Line Or Inverter</b>           |
| Poles                 | <b>6</b>                            | Rotation          | <b>Reversible</b>                 |
| Resistance Main       | <b>.0904 Ohms</b>                   | Mounting          | <b>Rigid Base</b>                 |
| Motor Orientation     | <b>Horizontal</b>                   | Drive End Bearing | <b>Ball</b>                       |
| Opp Drive End Bearing | <b>Ball</b>                         | Frame Material    | <b>Cast Iron</b>                  |
| Shaft Type            | <b>T</b>                            | Shaft Diameter    | <b>2.875 in</b>                   |
| Assembly/Box Mounting | <b>F1/F2 CAPABLE</b>                | Inverter Load     | <b>CONSTANT 2:1/VARIABLE 10:1</b> |
| Connection Drawing    | <b>EE7300</b>                       | Outline Drawing   | <b>SS557665</b>                   |

This is an uncontrolled document once printed or downloaded and is subject to change without notice. Date Created:12/14/2022

|       |       |      |       |       |       |      |      |          |   |  |
|-------|-------|------|-------|-------|-------|------|------|----------|---|--|
|       | 4     |      |       | 3     |       |      |      |          | 1 |  |
| B     | C     | E    | 2E    | 2F    | 2FF   | BA   | BS   | MOUNTING |   |  |
| 16.85 | 38.88 | 8.00 | 16.00 | 12.25 | 13.75 | 6.62 | 6.87 | F1 OR F2 |   |  |



|   |                    |                               |
|---|--------------------|-------------------------------|
| DRAWING REVISION<br>C   | REVISION BY<br>VS  | REV DATE/© DATE<br>25-11-2020 |
| ECO<br>ECO-0195088  | APPROVED BY<br>GNK | DATE<br>25-11-2020            |
| ECO DESCRIPTION<br><b>DRAWING UPDATED</b><br>COPYRIGHT (PER REVISION DATE) REGAL BELOIT AMERICA, INC. ALL RIGHTS RESERVED. PROPRIETARY AND CONFIDENTIAL INFORMATION - THIS DOCUMENT IS THE PROPERTY OF REGAL BELOIT AMERICA, INC. ("OWNER") AND CONTAINS OWNER'S PROPRIETARY INFORMATION. ANY PERSON, CORPORATION OR OTHER FIRM RECEIVING IT IS DEEMED, BY RECEIVING IT, TO AGREE THAT IT, AND/OR ANY PART OF IT, SHALL NOT BE DISCLOSED TO ANY PERSON, CORPORATION OR OTHER ENTITY, DUPLICATED, AND/OR USED, EXCEPT AS EXPRESSLY APPROVED IN WRITING IN ADVANCE BY OWNER. THIS DOCUMENT SHALL BE RETURNED TO OWNER UPON REQUEST. IT MAY BE SUBJECT TO CERTAIN RESTRICTIONS UNDER APPLICABLE EXPORT CONTROL LAWS AND REGULATIONS. |                    |                               |

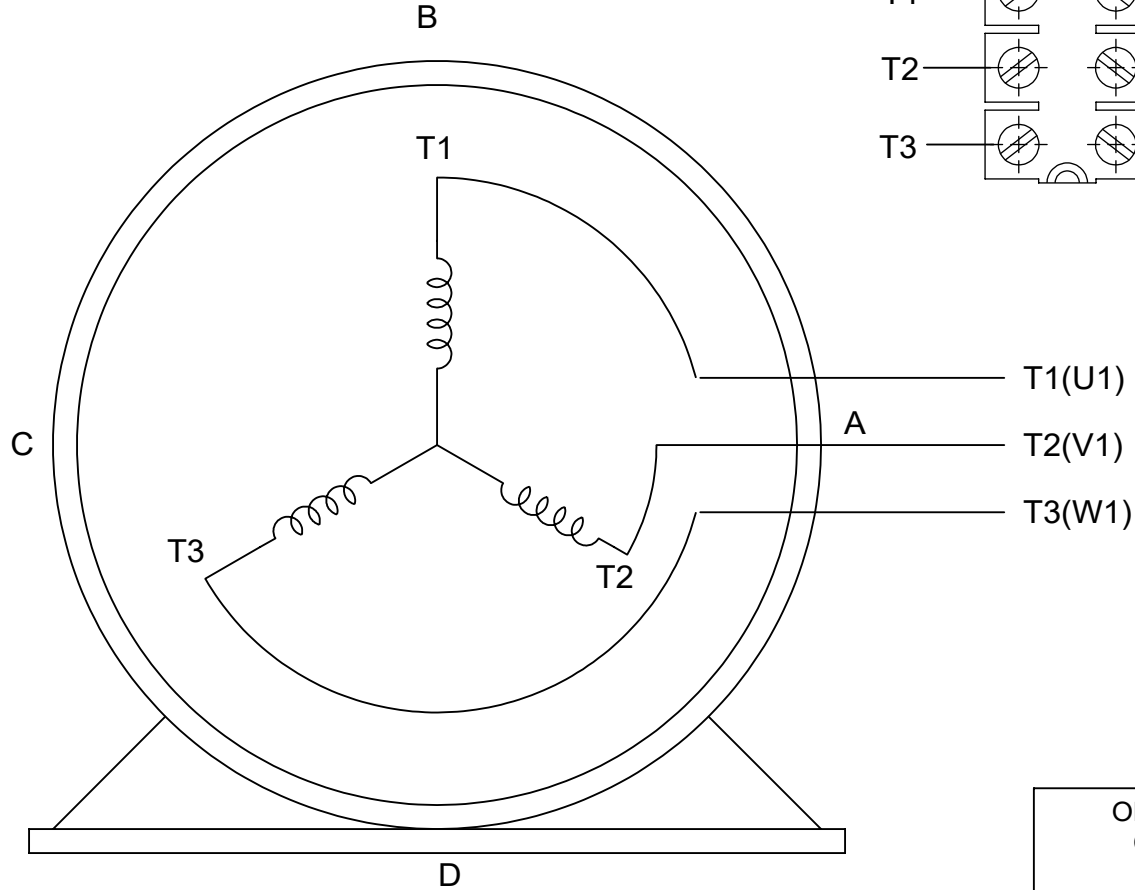
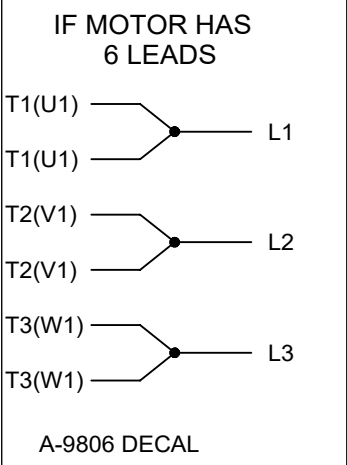
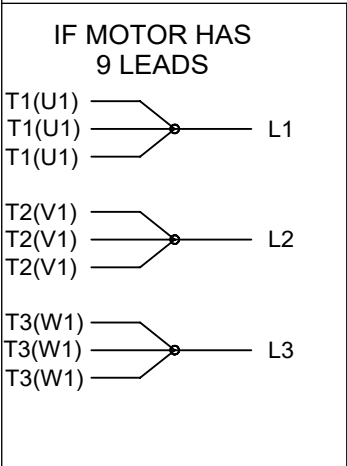
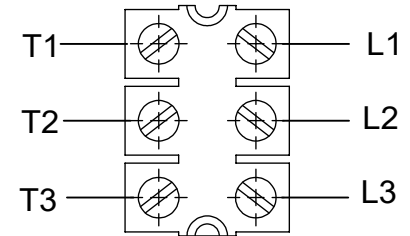
PRIMARY DIMENSIONS ARE INCH  
mm DIMENSIONS IN [BRACKETS]  
ARE FOR REFERENCE ONLY

|                        |   |
|------------------------|---|
| DRAWN BY<br>BISWA      | Regal Beloit America, Inc.                                |
| DATE<br>12/24/2018     |   |
| APPROVED BY<br>SBD     | DESCRIPTION<br><b>OUTLINE</b><br>404/405T FR-SD & IEEE841 |
| DATE<br>12/24/2018     | MATERIAL  |
| REFERENCE              | PROCESS/FINISH  |
| THIRD ANGLE PROJECTION | SIZE<br>B   |
|                        | DRAWING NUMBER<br>SS557665                                |
|                        | SHEET<br>1 OF 1   |

THREE PHASE - SINGLE VOLTAGE  
MOTOR - CONDUIT BOX @ 'A'

TERMINAL BLOCK WHEN SPECIFIED

TO REVERSE ROTATION:  
INTERCHANGE ANY TWO LINE  
LEAD CONNECTIONS



VIEW OF TERMINAL END

**OPTIONAL CORD CONNECTION**

|    |       |
|----|-------|
| L1 | WHITE |
| L2 | RED   |
| L3 | BLACK |

|   |                   |                               |
|---|-------------------|-------------------------------|
| DRAWING REVISION<br>AC  | REVISION BY<br>BS | REV DATE/© DATE<br>26/07/2022 |
| REQUEST NUMBER<br>CR-0010402  | APPROVED BY<br>SN | DATE<br>26/07/2022            |
| REQUEST NUMBER DESCRIPTION<br>DRAWING UPDATED   |                   |                               |
| <small>COPYRIGHT (PER REVISION DATE) REGAL BELOIT AMERICA, INC. ALL RIGHTS RESERVED. PROPRIETARY AND CONFIDENTIAL INFORMATION - THIS DOCUMENT IS THE PROPERTY OF REGAL BELOIT AMERICA, INC. ("OWNER") AND CONTAINS OWNER'S PROPRIETARY INFORMATION. ANY PERSON, CORPORATION OR OTHER FIRM RECEIVING IT IS DEEMED, BY RECEIVING IT, TO AGREE THAT IT, AND/OR ANY PART OF IT, SHALL NOT BE DISCLOSED TO ANY PERSON, CORPORATION OR OTHER ENTITY, DUPLICATED, AND/OR USED, EXCEPT AS EXPRESSLY APPROVED IN WRITING IN ADVANCE BY OWNER. THIS DOCUMENT SHALL BE RETURNED TO OWNER UPON REQUEST. IT MAY BE SUBJECT TO CERTAIN RESTRICTIONS UNDER APPLICABLE EXPORT CONTROL LAWS AND REGULATIONS.</small> |                   |                               |

PRIMARY DIMENSIONS ARE INCH  
mm DIMENSIONS IN [BRACKETS]  
ARE FOR REFERENCE ONLY

|                        |
|------------------------|
| DRAWN BY<br>DA         |
| DATE<br>03-26-1993     |
| APPROVED BY<br>TB      |
| DATE<br>03-26-1993     |
| REFERENCE              |
| THIRD ANGLE PROJECTION |

|  |                                 |                            |
|--|---------------------------------|----------------------------|
| <b>Regal Rexnord</b>   |                                 | Regal Beloit America, Inc. |
| DESCRIPTION<br><b>CONNECTION DIAGRAM</b><br>EXTERNAL - SINGLE VOLTAGE - 3Ø MOTOR |                                 |                            |
| MATERIAL   | PROCESS/FINISH                  |                            |
| SIZE<br><b>A</b>   | DRAWING NUMBER<br><b>EE7300</b> | SHEET<br>1 OF 1            |