

DATA SHEET

Three Phase Induction Motor - Squirrel Cage



Customer :		
Product line	: JM Pump NEMA Premium Efficiency Three-Phase	
Product code :	12676984	
Catalog # :	00112OT3E145JM-S	
Frame	: 143/5JM	
Insulation class	: F	
Duty cycle	: Cont.(S1)	
Ambient temperature	: -20°C to +40°C	
Altitude	: 1000 m.a.s.l.	
Design	: B	
Cooling method	: IC01 - ODP	
Mounting	: F-1	
Rotation ¹	: Both (CW and CCW)	
Starting method	: Direct On Line	
Approx. weight ²	: 37.0 lb	
Moment of inertia (J)	: 0.1419 sq.ft.lb	
Output [HP]	1	
Poles	6	
Frequency [Hz]	60	
Rated voltage [V]	230/460	
Rated current [A]	3.30/1.65	
L. R. Amperes [A]	20.1/10.1	
LRC [A]	6.1x(Code K)	
No load current [A]	2.26/1.13	
Rated speed [RPM]	1150	
Slip [%]	4.17	
Rated torque [ft.lb]	4.57	
Locked rotor torque [%]	250	
Breakdown torque [%]	300	
Service factor	1.00	
Temperature rise	80 K	
Locked rotor time	43s (cold) 24s (hot)	
Noise level ²	50.0 dB(A)	
Efficiency (%)	25%	77.2
	50%	78.5
	75%	81.5
	100%	82.5
Power Factor	25%	0.26
	50%	0.47
	75%	0.60
	100%	0.69
Bearing type	: <u>Drive end</u> 6206 ZZ <u>Non drive end</u> 6203 ZZ	
Sealing	: Without Without	
	: Bearing Seal Bearing Seal	
Lubrication interval	: - -	
Lubricant amount	: - -	
Lubricant type	: Mobil Polyrex EM	
Foundation loads	Max. traction : 99 lb	
	Max. compression : 136 lb	
Notes		
USABLE @208V 3.65A SF 1.00 SFA 3.65A		
This revision replaces and cancel the previous one, which must be eliminated.		
(1) Looking the motor from the shaft end.		
(2) Measured at 1m and with tolerance of +3dB(A).		
(3) Approximate weight subject to changes after manufacturing process.		
(4) At 100% of full load.		
These are average values based on tests with sinusoidal power supply, subject to the tolerances stipulated in NEMA MG-1.		
Rev.	Changes Summary	
Performed by	Performed	
Checked by	Checked	
Date	Date	
11/04/2022		
Page	Revision	
1 / 16		

TORQUE AND CURRENT VS SPEED CURVE

Three Phase Induction Motor - Squirrel Cage



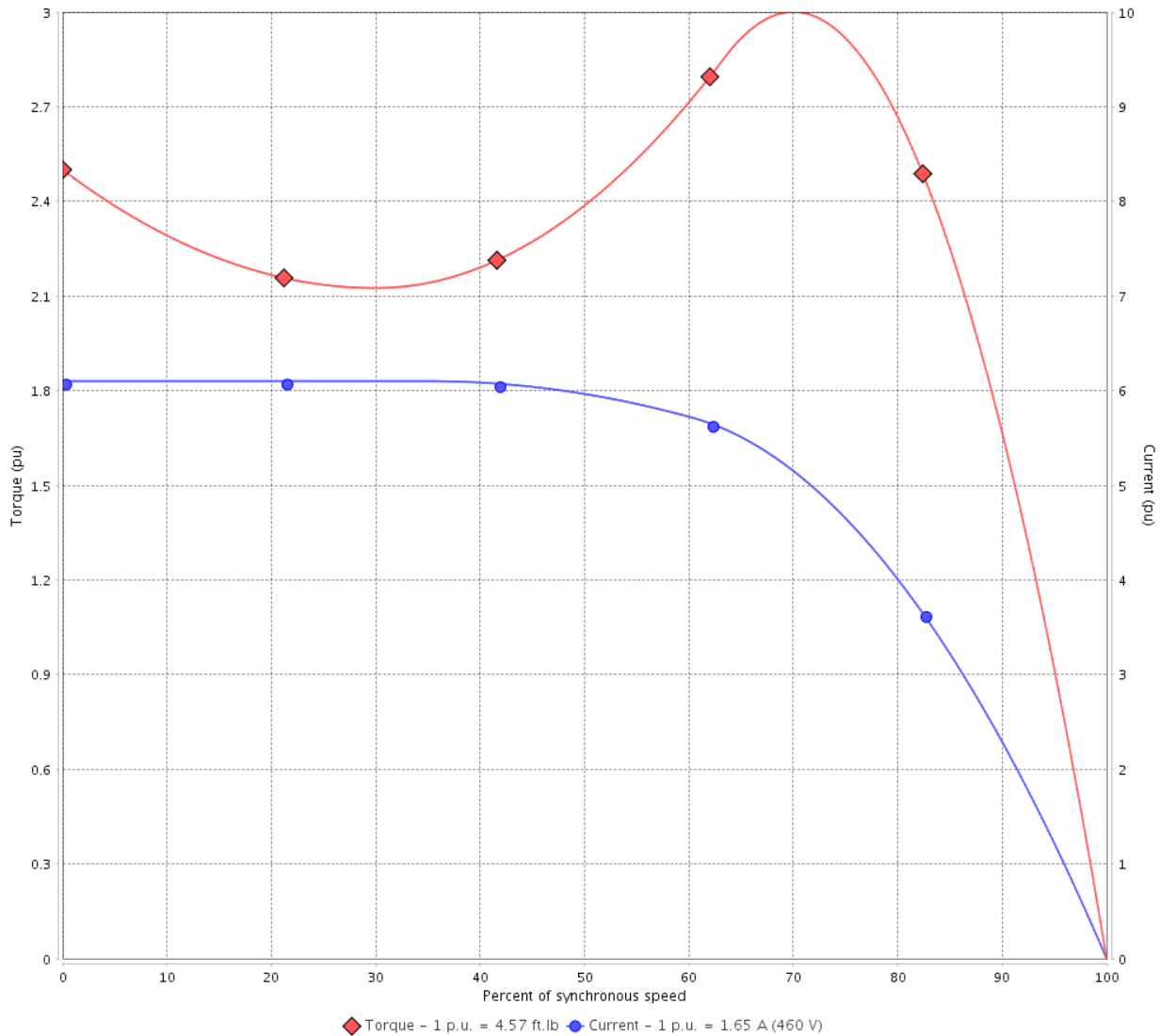
Customer :

Product line : JM Pump NEMA Premium
Efficiency Three-Phase

Product code : 12676984

Catalog # : 001120T3E145JM-S

TORQUE AND CURRENT VS SPEED CURVE



Performance : 230/460 V 60 Hz 6P

Rated current : 3.30/1.65 A
LRC : 6.1
Rated torque : 4.57 ft.lb
Locked rotor torque : 250 %
Breakdown torque : 300 %
Rated speed : 1150 rpm

Moment of inertia (J) : 0.1419 sq.ft.lb
Duty cycle : Cont.(S1)
Insulation class : F
Service factor :
Temperature rise : 80 K
Design : B

Locked rotor time : 43s (cold) 24s (hot)

Rev.	Changes Summary	Performed	Checked	Date
Performed by			Page 2 / 16	Revision
Checked by				
Date	11/04/2022			

TORQUE AND CURRENT VS SPEED CURVE



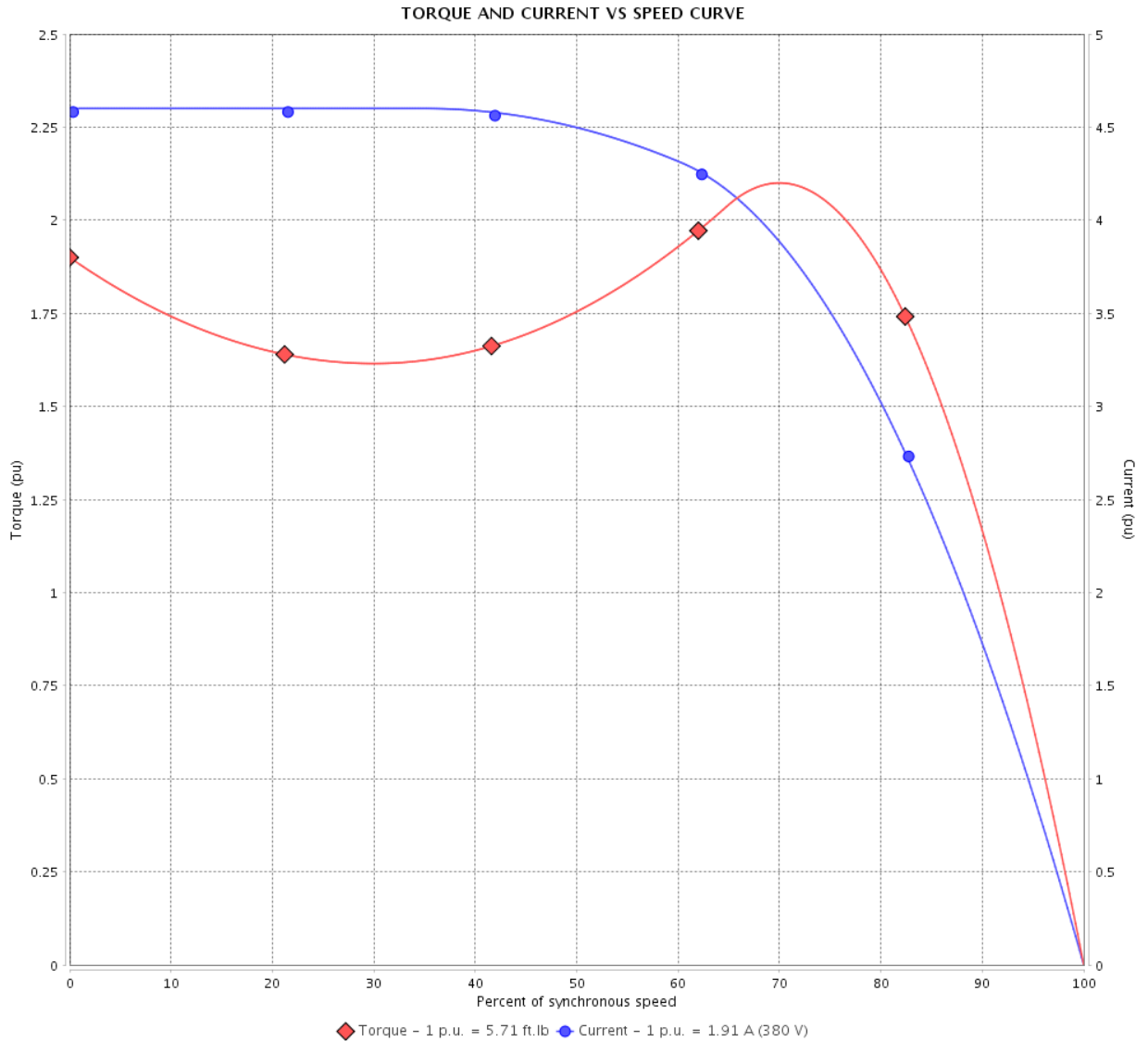
Three Phase Induction Motor - Squirrel Cage

Customer :

Product line : JM Pump NEMA Premium Efficiency Three-Phase

Product code : 12676984

Catalog # : 00112OT3E145JM-S



Performance : 190/380 V 50 Hz 6P

Rated current	: 3.82/1.91 A	Moment of inertia (J)	: 0.1419 sq.ft.lb
LRC	: 4.6	Duty cycle	: Cont.(S1)
Rated torque	: 5.71 ft.lb	Insulation class	: F
Locked rotor torque	: 190 %	Service factor	: 1.00
Breakdown torque	: 210 %	Temperature rise	: 105 K
Rated speed	: 920 rpm	Design	: B

Locked rotor time : 0s (cold) 0s (hot)

Rev.	Changes Summary	Performed	Checked	Date
Performed by			Page 3 / 16	Revision
Checked by				
Date	11/04/2022			

TORQUE AND CURRENT VS SPEED CURVE

Three Phase Induction Motor - Squirrel Cage



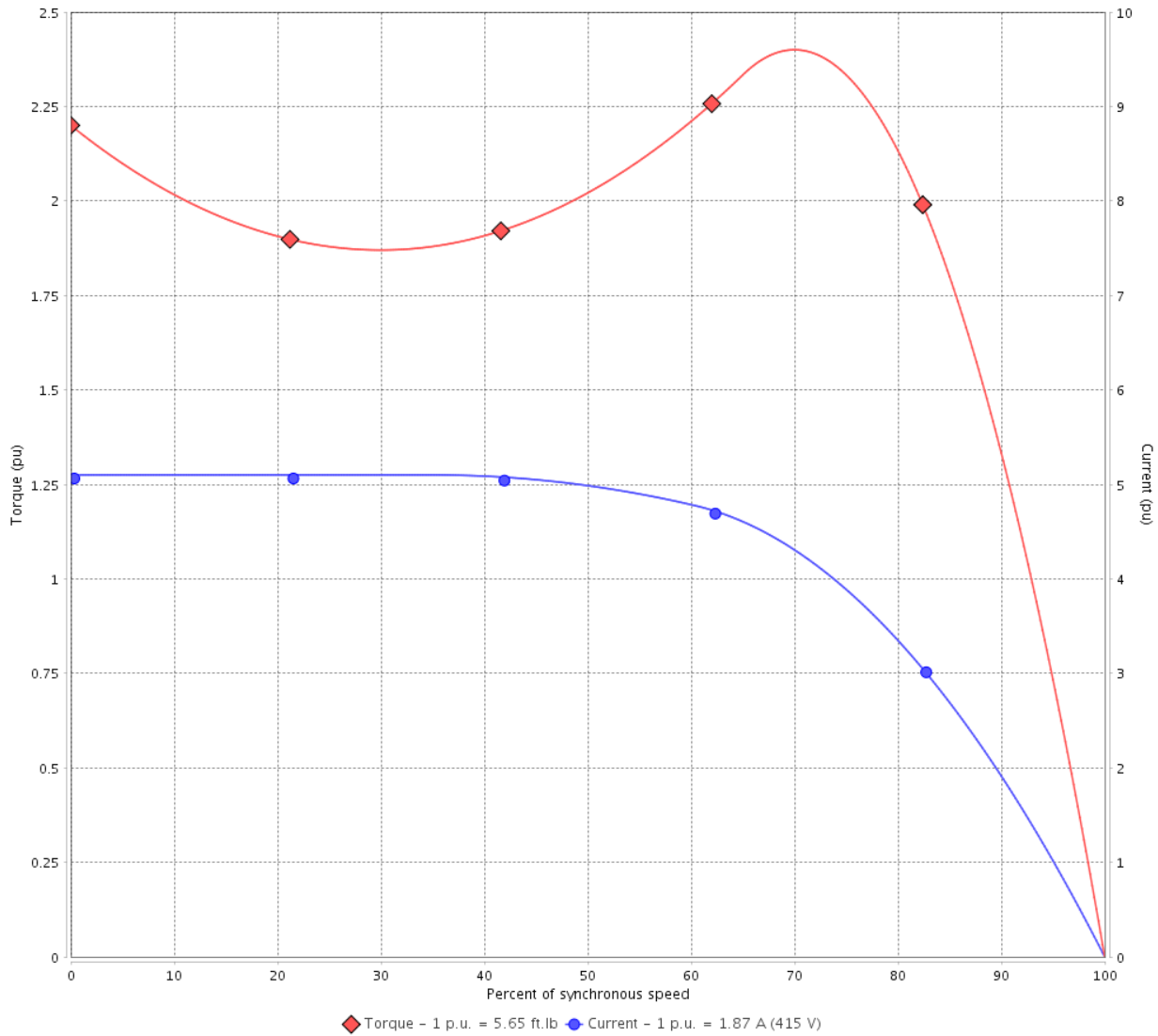
Customer :

Product line : JM Pump NEMA Premium Efficiency Three-Phase

Product code : 12676984

Catalog # : 001120T3E145JM-S

TORQUE AND CURRENT VS SPEED CURVE



Performance : 220/415 V 50 Hz 6P

Rated current	: 3.53/1.87 A	Moment of inertia (J)	: 0.1419 sq.ft.lb
LRC	: 5.1	Duty cycle	: Cont.(S1)
Rated torque	: 5.65 ft.lb	Insulation class	: F
Locked rotor torque	: 220 %	Service factor	: 1.00
Breakdown torque	: 240 %	Temperature rise	: 105 K
Rated speed	: 930 rpm	Design	: B

Locked rotor time : 0s (cold) 0s (hot)

Rev.	Changes Summary	Performed	Checked	Date
Performed by			Page 4 / 16	Revision
Checked by				
Date	11/04/2022			

LOAD PERFORMANCE CURVE

Three Phase Induction Motor - Squirrel Cage

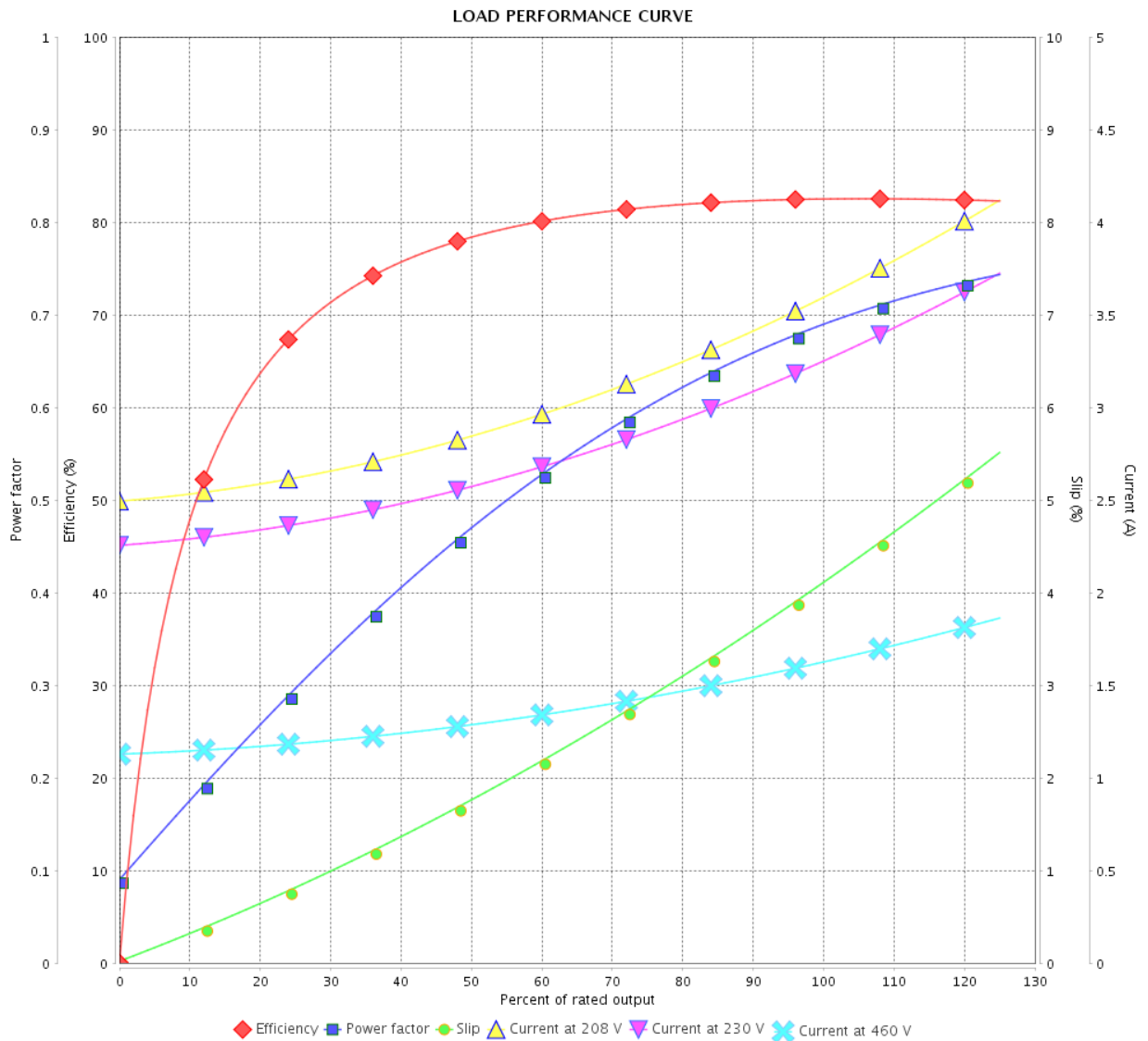


Customer : _____

Product line : JM Pump NEMA Premium
Efficiency Three-Phase

Product code : 12676984

Catalog # : 00112OT3E145JM-S



Performance : 230/460 V 60 Hz 6P

Rated current : 3.30/1.65 A
 LRC : 6.1
 Rated torque : 4.57 ft.lb
 Locked rotor torque : 250 %
 Breakdown torque : 300 %
 Rated speed : 1150 rpm

Moment of inertia (J) : 0.1419 sq.ft.lb
 Duty cycle : Cont.(S1)
 Insulation class : F
 Service factor :
 Temperature rise : 80 K
 Design : B

Rev.	Changes Summary	Performed	Checked	Date
Performed by			Page	Revision
Checked by				
Date				

LOAD PERFORMANCE CURVE

Three Phase Induction Motor - Squirrel Cage



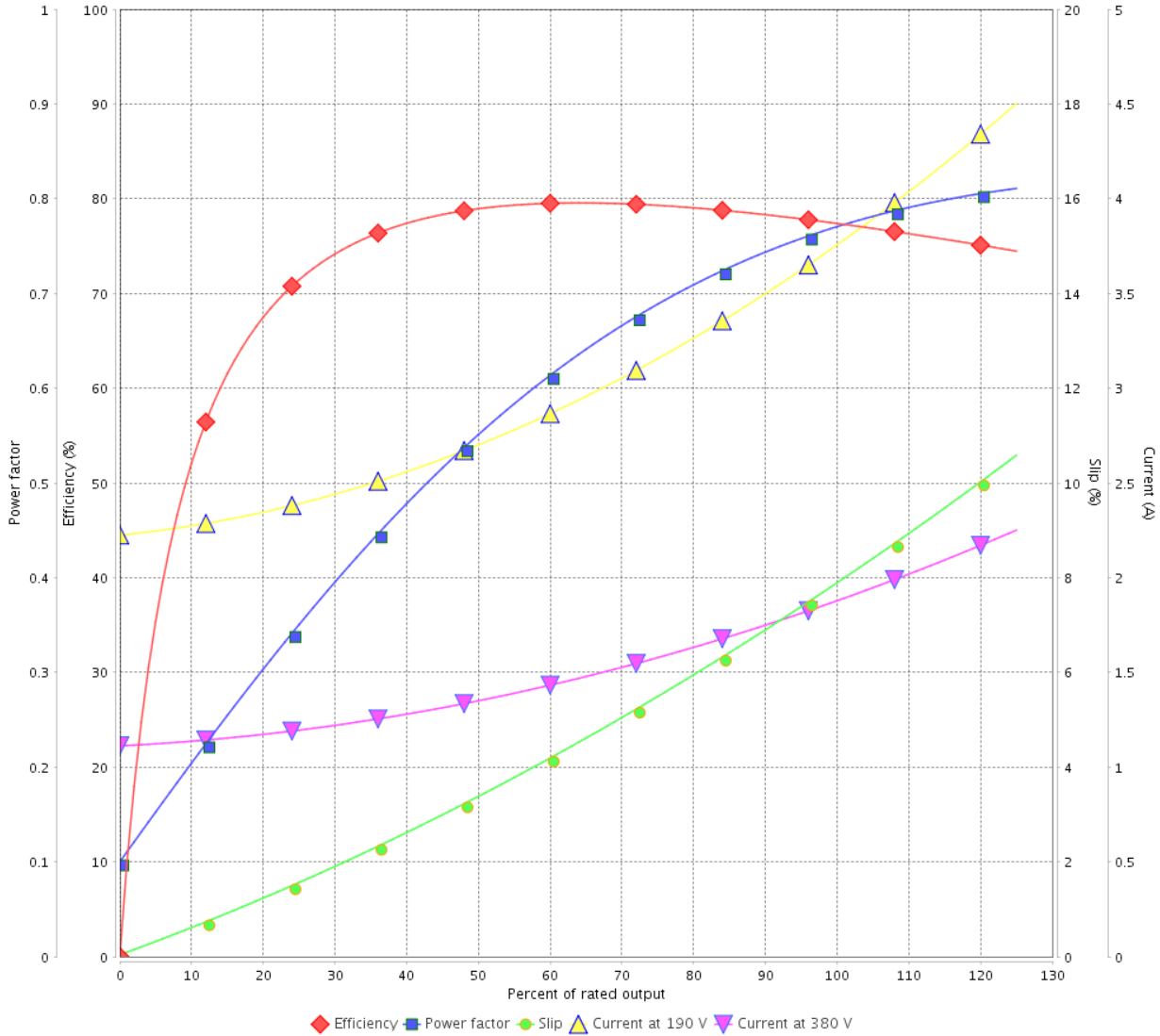
Customer :

Product line : JM Pump NEMA Premium
Efficiency Three-Phase

Product code : 12676984

Catalog # : 001120T3E145JM-S

LOAD PERFORMANCE CURVE



Performance : 190/380 V 50 Hz 6P

Rated current : 3.82/1.91 A
LRC : 4.6
Rated torque : 5.71 ft.lb
Locked rotor torque : 190 %
Breakdown torque : 210 %
Rated speed : 920 rpm

Moment of inertia (J) : 0.1419 sq.ft.lb
Duty cycle : Cont.(S1)
Insulation class : F
Service factor : 1.00
Temperature rise : 105 K
Design : B

Rev.	Changes Summary	Performed	Checked	Date
Performed by			Page	Revision
Checked by			6 / 16	
Date	11/04/2022			

LOAD PERFORMANCE CURVE

Three Phase Induction Motor - Squirrel Cage

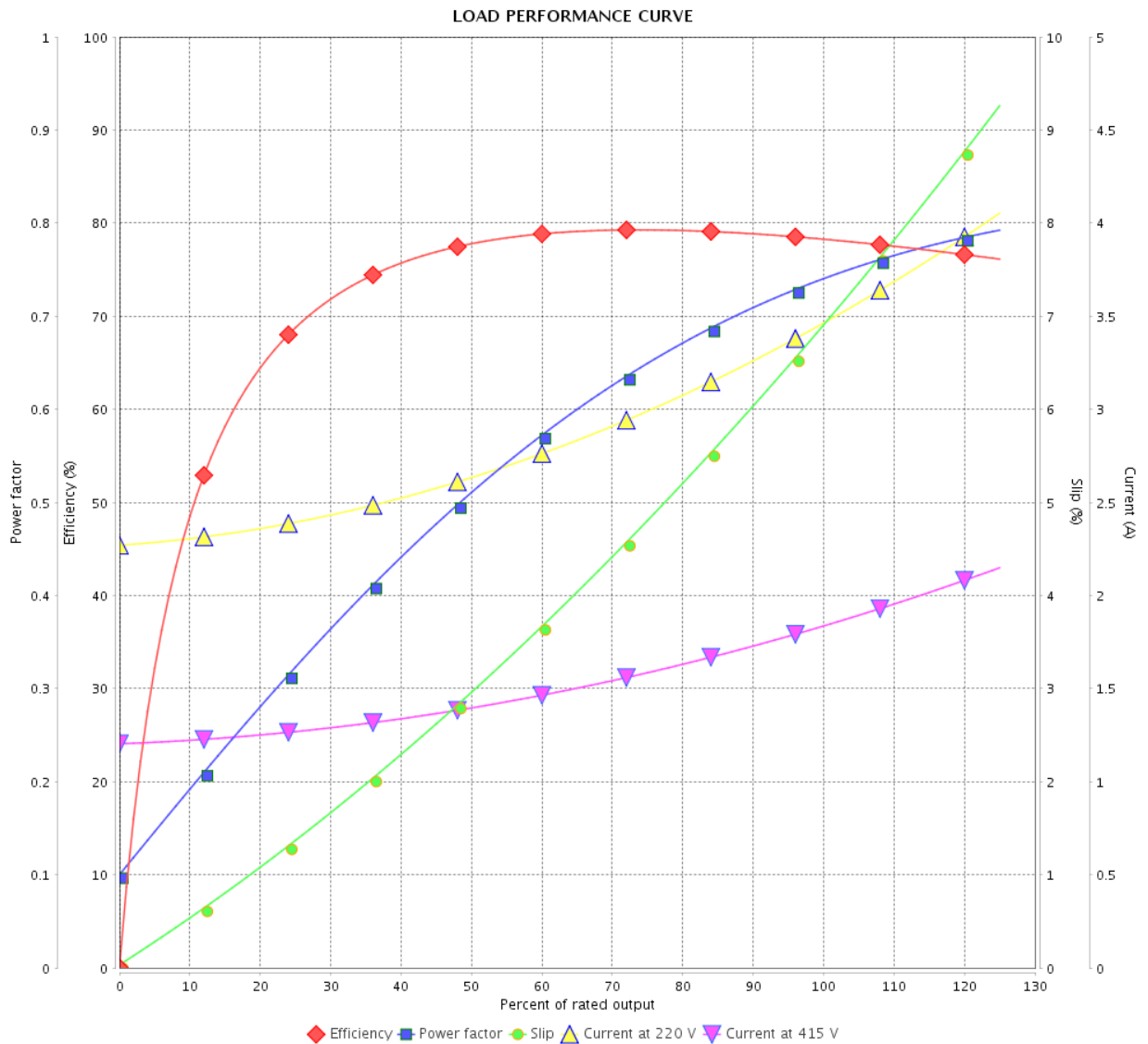


Customer :

Product line : JM Pump NEMA Premium Efficiency Three-Phase

Product code : 12676984

Catalog # : 00112OT3E145JM-S



Performance : 220/415 V 50 Hz 6P

Rated current : 3.53/1.87 A
 LRC : 5.1
 Rated torque : 5.65 ft.lb
 Locked rotor torque : 220 %
 Breakdown torque : 240 %
 Rated speed : 930 rpm

Moment of inertia (J) : 0.1419 sq.ft.lb
 Duty cycle : Cont.(S1)
 Insulation class : F
 Service factor : 1.00
 Temperature rise : 105 K
 Design : B

Rev.	Changes Summary	Performed	Checked	Date
Performed by			Page	Revision
Checked by				
Date				
			7 / 16	

THERMAL LIMIT CURVE



Three Phase Induction Motor - Squirrel Cage

Customer :

Product line : JM Pump NEMA Premium
Efficiency Three-Phase

Product code : 12676984

Catalog # : 00112OT3E145JM-S

Performance : 230/460 V 60 Hz 6P

Rated current : 3.30/1.65 A
LRC : 6.1
Rated torque : 4.57 ft.lb
Locked rotor torque : 250 %
Breakdown torque : 300 %
Rated speed : 1150 rpm

Moment of inertia (J) : 0.1419 sq.ft.lb
Duty cycle : Cont.(S1)
Insulation class : F
Service factor :
Temperature rise : 80 K
Design : B

Heating constant

Cooling constant

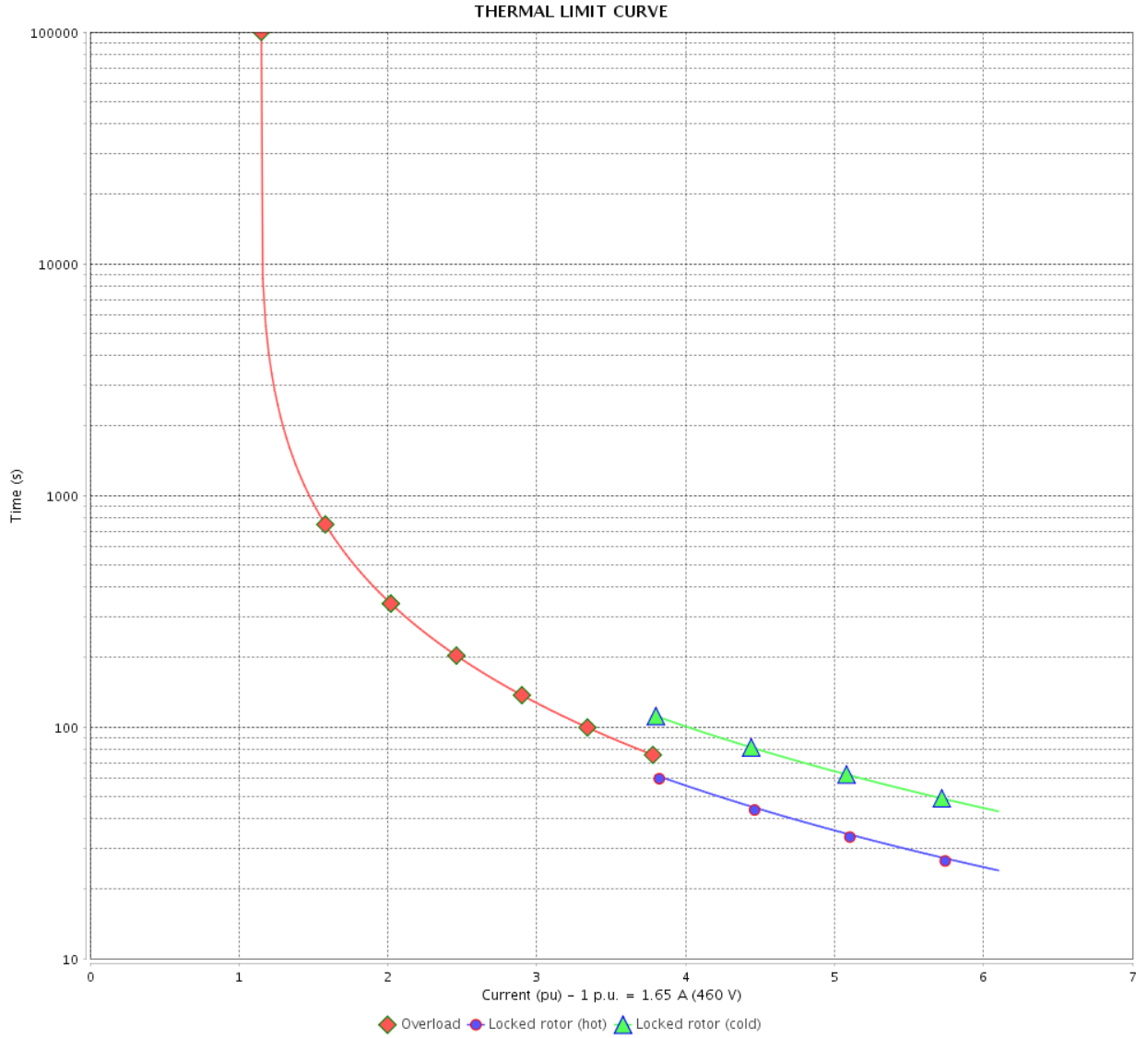
Rev.	Changes Summary	Performed	Checked	Date
Performed by				
Checked by			Page	Revision
Date	11/04/2022		8 / 16	

THERMAL LIMIT CURVE

Three Phase Induction Motor - Squirrel Cage



Customer : _____



Rev.	Changes Summary	Performed	Checked	Date
Performed by				
Checked by				
Date				
			Page	Revision
			9 / 16	

THERMAL LIMIT CURVE



Three Phase Induction Motor - Squirrel Cage

Customer :

Product line : JM Pump NEMA Premium
Efficiency Three-Phase

Product code : 12676984

Catalog # : 00112OT3E145JM-S

Performance : 190/380 V 50 Hz 6P

Rated current : 3.82/1.91 A
LRC : 4.6
Rated torque : 5.71 ft.lb
Locked rotor torque : 190 %
Breakdown torque : 210 %
Rated speed : 920 rpm

Moment of inertia (J) : 0.1419 sq.ft.lb
Duty cycle : Cont.(S1)
Insulation class : F
Service factor : 1.00
Temperature rise : 105 K
Design : B

Heating constant

Cooling constant

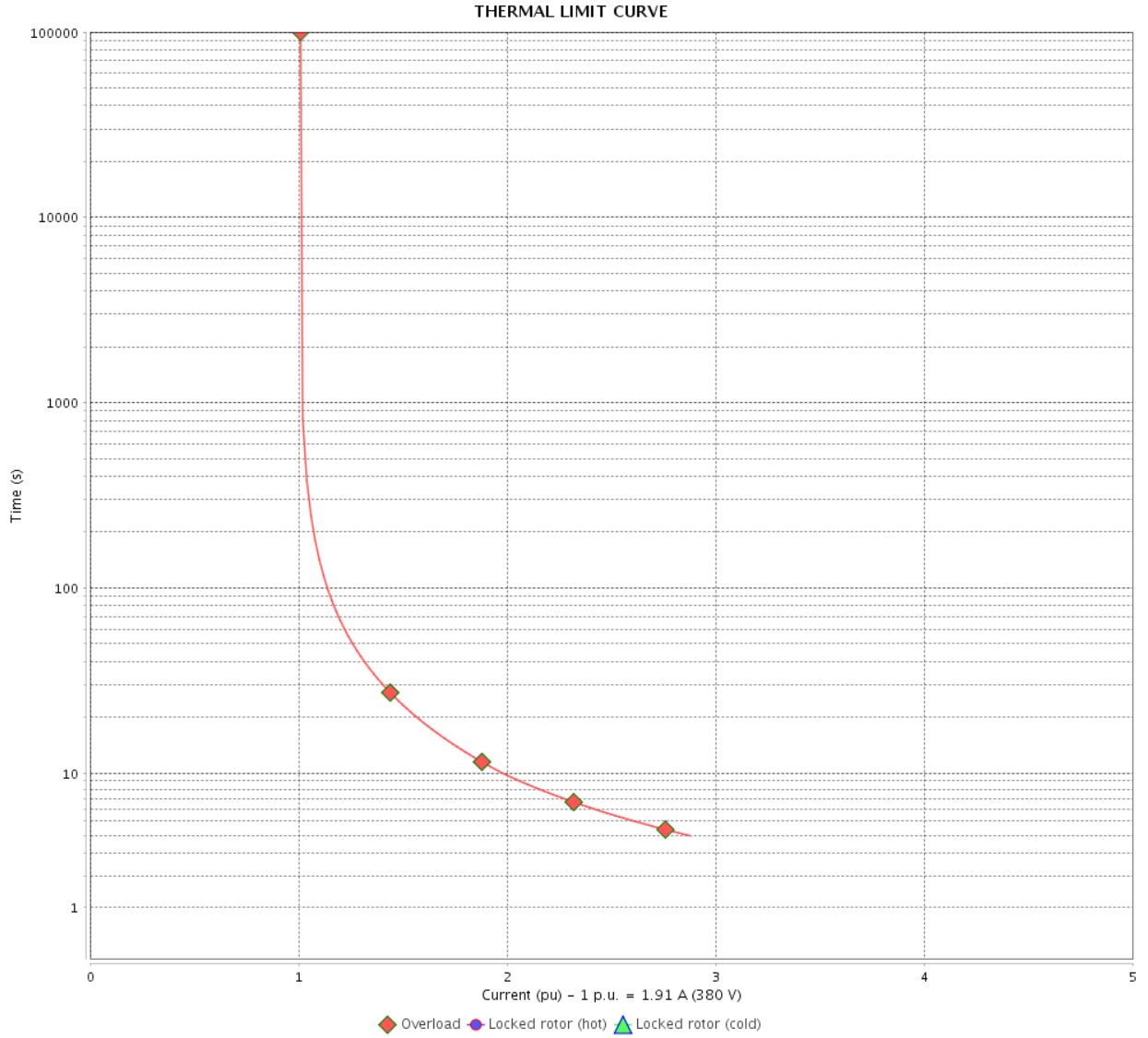
Rev.	Changes Summary	Performed	Checked	Date
Performed by				
Checked by			Page	Revision
Date	11/04/2022		10 / 16	

THERMAL LIMIT CURVE

Three Phase Induction Motor - Squirrel Cage



Customer : _____



Rev.	Changes Summary	Performed	Checked	Date
Performed by		Page		Revision
Checked by		11 / 16		
Date		11/04/2022		

THERMAL LIMIT CURVE



Three Phase Induction Motor - Squirrel Cage

Customer :

Product line : JM Pump NEMA Premium
Efficiency Three-Phase

Product code : 12676984

Catalog # : 00112OT3E145JM-S

Performance : 220/415 V 50 Hz 6P

Rated current : 3.53/1.87 A
LRC : 5.1
Rated torque : 5.65 ft.lb
Locked rotor torque : 220 %
Breakdown torque : 240 %
Rated speed : 930 rpm

Moment of inertia (J) : 0.1419 sq.ft.lb
Duty cycle : Cont.(S1)
Insulation class : F
Service factor : 1.00
Temperature rise : 105 K
Design : B

Heating constant

Cooling constant

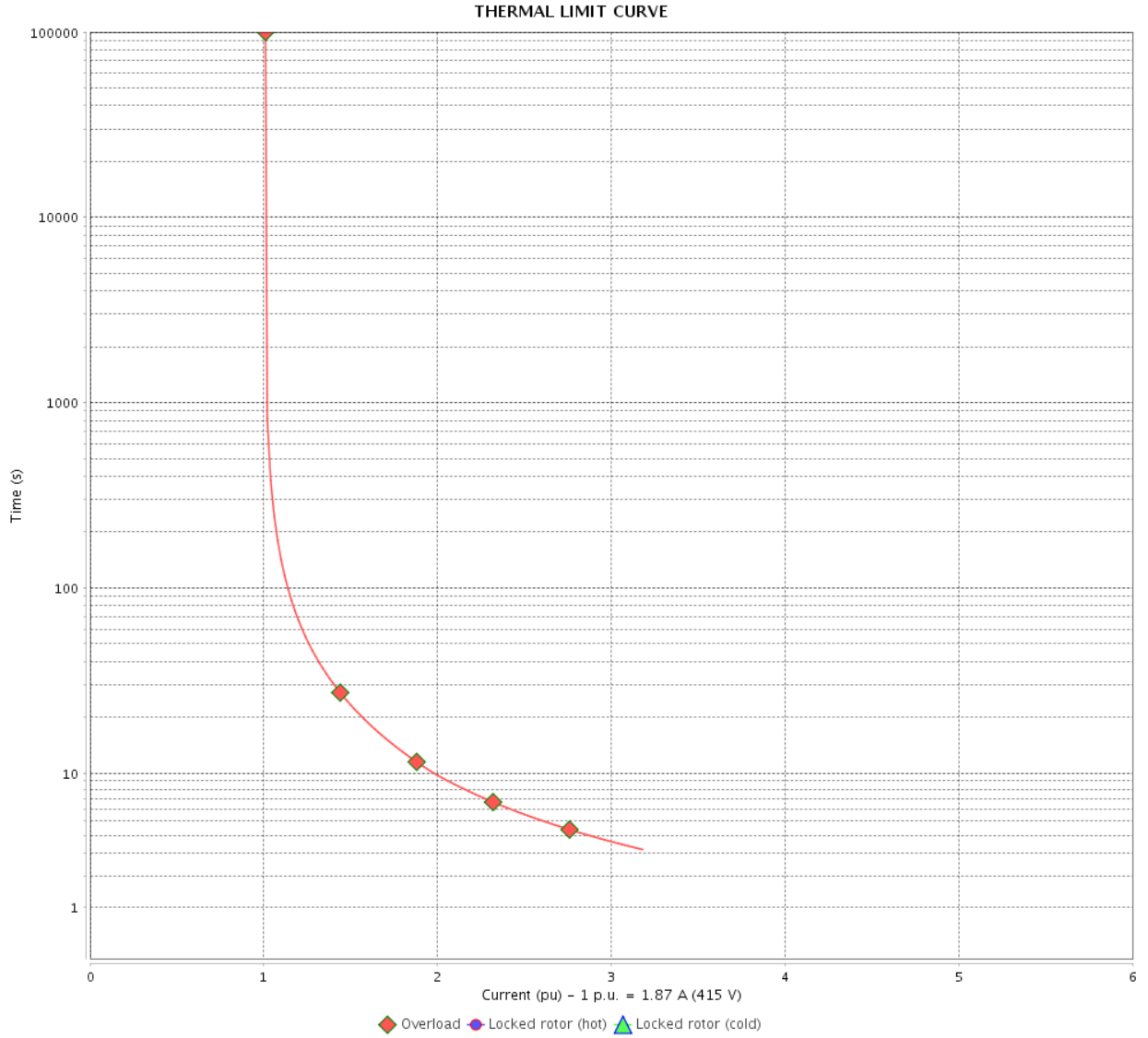
Rev.	Changes Summary	Performed	Checked	Date
Performed by				
Checked by			Page	Revision
Date	11/04/2022		12 / 16	

THERMAL LIMIT CURVE

Three Phase Induction Motor - Squirrel Cage



Customer : _____



Rev.	Changes Summary	Performed	Checked	Date
Performed by		Page		Revision
Checked by		13 / 16		
Date		11/04/2022		

VFD OPERATION CURVE

Three Phase Induction Motor - Squirrel Cage



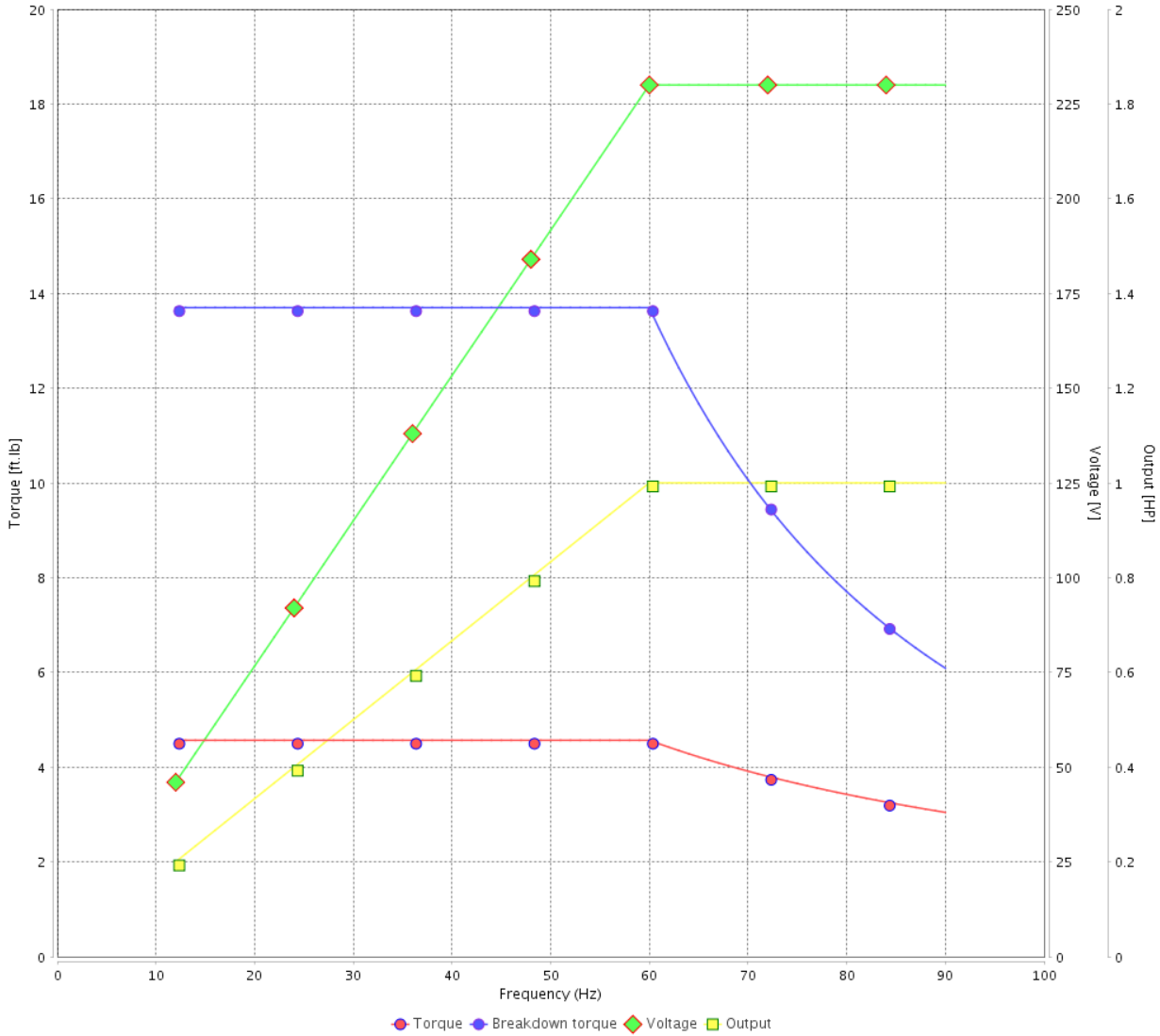
Customer :

Product line : JM Pump NEMA Premium Efficiency Three-Phase

Product code : 12676984

Catalog # : 001120T3E145JM-S

VFD OPERATION CURVE



Performance : 230/460 V 60 Hz 6P

Rated current : 3.30/1.65 A
 LRC : 6.1
 Rated torque : 4.57 ft.lb
 Locked rotor torque : 250 %
 Breakdown torque : 300 %
 Rated speed : 1150 rpm

Moment of inertia (J) : 0.1419 sq.ft.lb
 Duty cycle : Cont.(S1)
 Insulation class : F
 Service factor :
 Temperature rise : 80 K
 Design : B

Rev.	Changes Summary	Performed	Checked	Date
Performed by			Page 14 / 16	Revision
Checked by				
Date	11/04/2022			

VFD OPERATION CURVE

Three Phase Induction Motor - Squirrel Cage

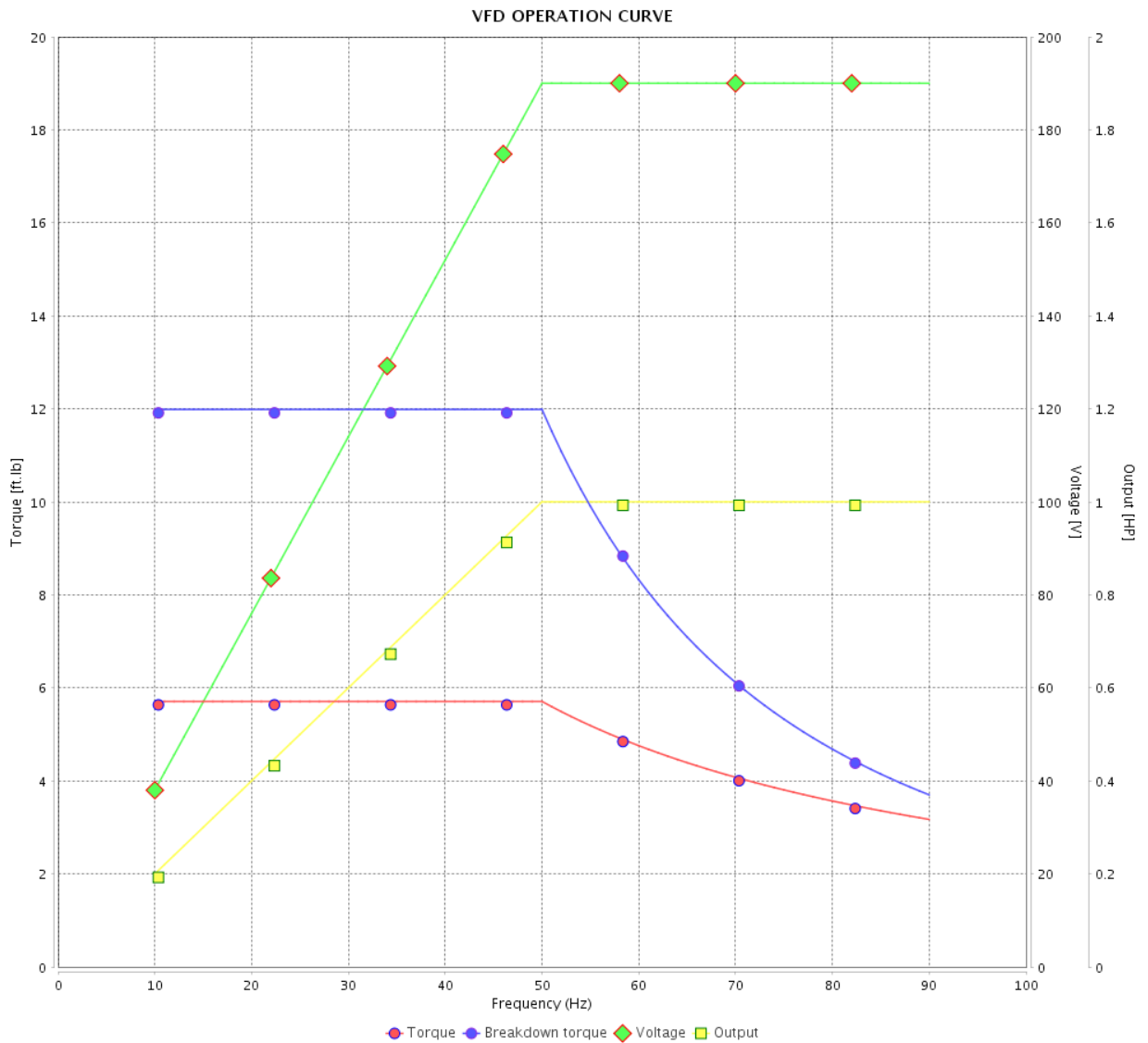


Customer :

Product line : JM Pump NEMA Premium Efficiency Three-Phase

Product code : 12676984

Catalog # : 00112OT3E145JM-S



Performance : 190/380 V 50 Hz 6P

Rated current : 3.82/1.91 A
 LRC : 4.6
 Rated torque : 5.71 ft.lb
 Locked rotor torque : 190 %
 Breakdown torque : 210 %
 Rated speed : 920 rpm

Moment of inertia (J) : 0.1419 sq.ft.lb
 Duty cycle : Cont.(S1)
 Insulation class : F
 Service factor : 1.00
 Temperature rise : 105 K
 Design : B

Rev.	Changes Summary	Performed	Checked	Date
Performed by				Page 15 / 16
Checked by				
Date	11/04/2022			

VFD OPERATION CURVE

Three Phase Induction Motor - Squirrel Cage



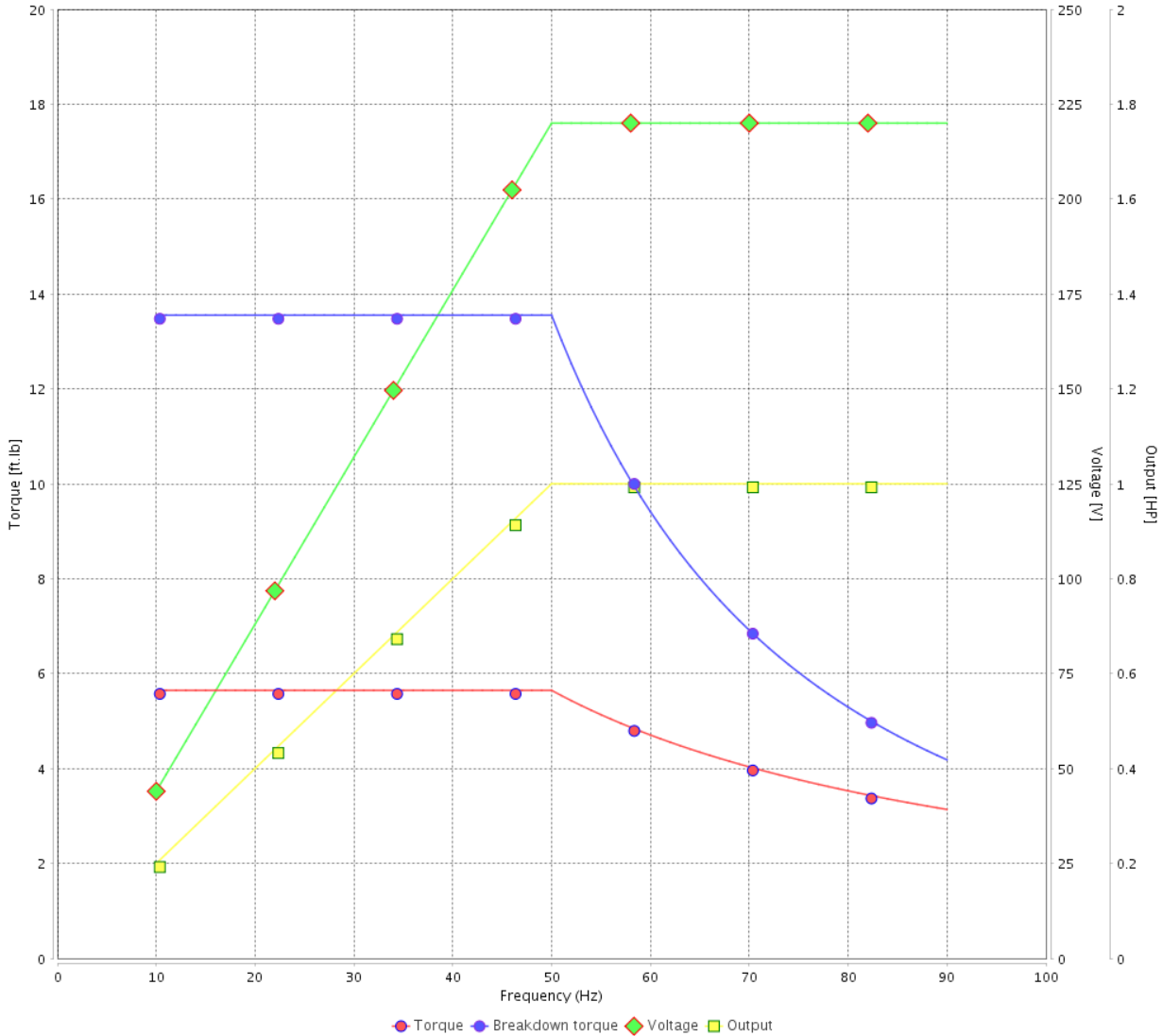
Customer :

Product line : JM Pump NEMA Premium
Efficiency Three-Phase

Product code : 12676984

Catalog # : 001120T3E145JM-S

VFD OPERATION CURVE



Performance : 220/415 V 50 Hz 6P

Rated current : 3.53/1.87 A
LRC : 5.1
Rated torque : 5.65 ft.lb
Locked rotor torque : 220 %
Breakdown torque : 240 %
Rated speed : 930 rpm

Moment of inertia (J) : 0.1419 sq.ft.lb
Duty cycle : Cont.(S1)
Insulation class : F
Service factor : 1.00
Temperature rise : 105 K
Design : B

Rev.	Changes Summary	Performed	Checked	Date
Performed by			Page 16 / 16	Revision
Checked by				
Date	11/04/2022			

1 2 3 4 5 6

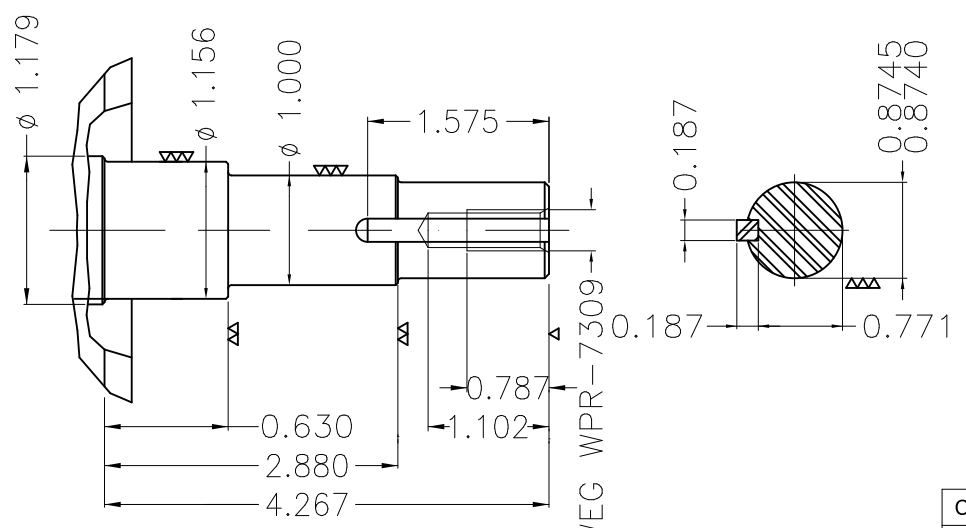
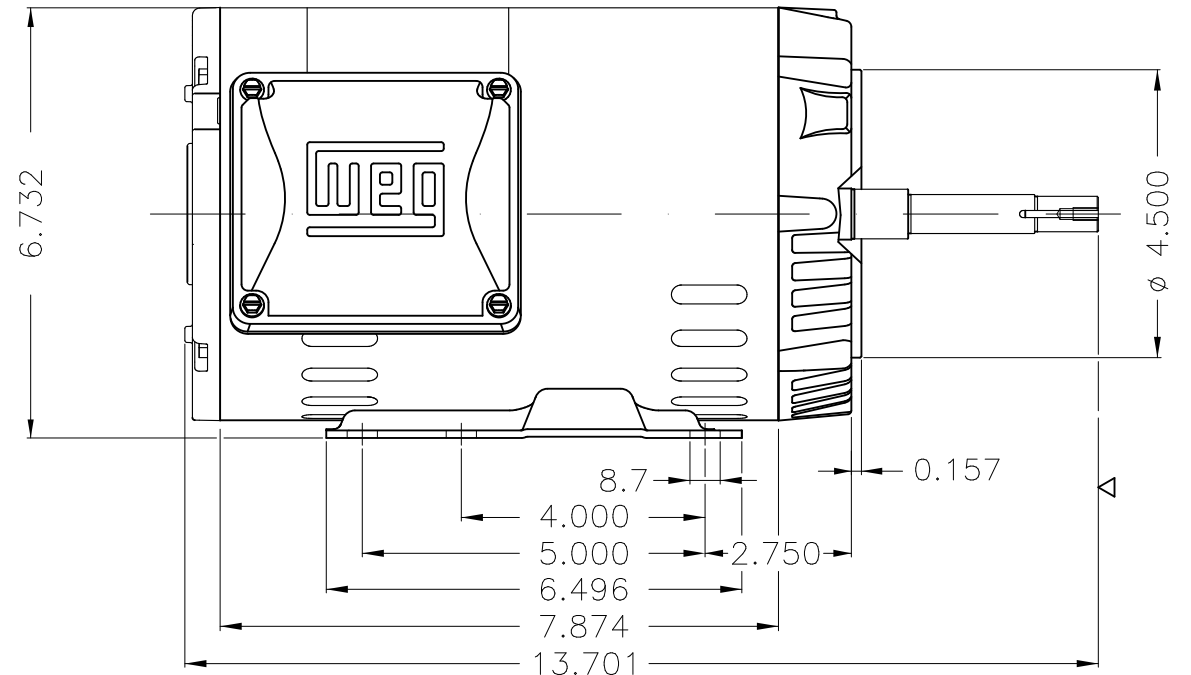
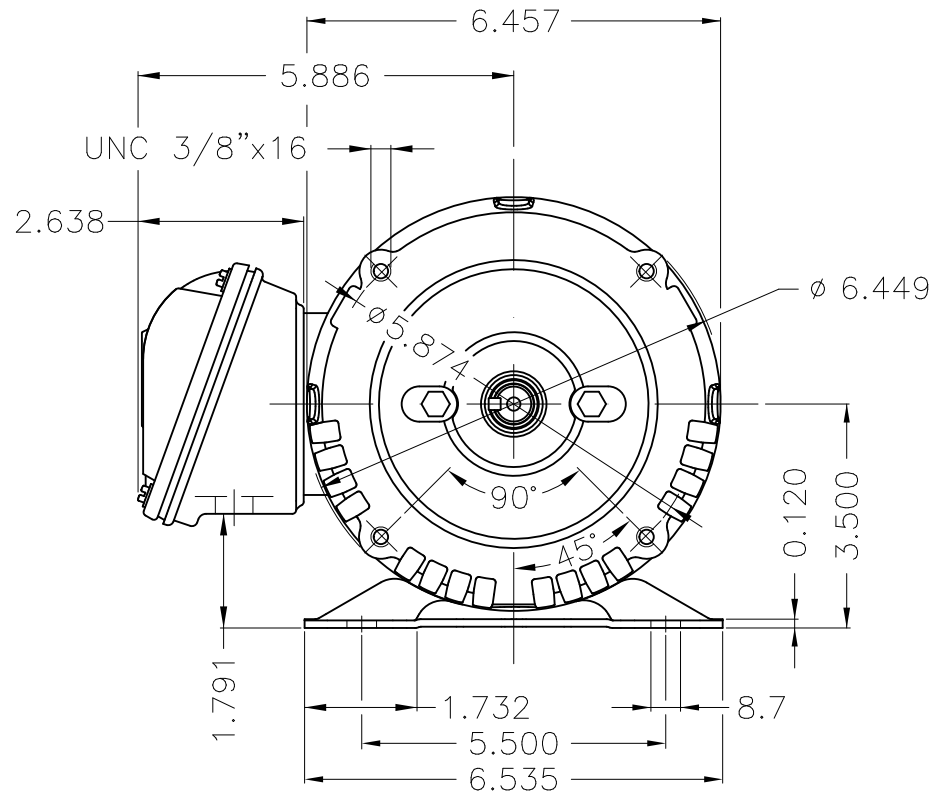
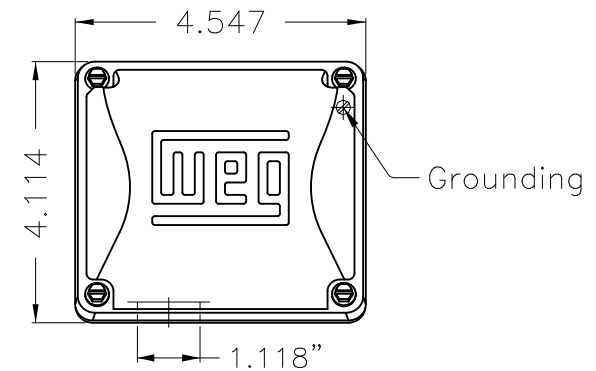
A

B

C

D

E



EUNC 3/8"-16 WEG WPR-7309

DE Shaft End

Color Munsell N 1 matte black									
Painting plan 207N									
Mounting F-1/B34R(D)									
ECM	LOC	SUMMARY OF MODIFICATIONS			EXECUTED	CHECKED	RELEASED	DATE	VER
EXECUTED	PIRWUSER	THREE PH. MOTOR ROLLED STEEL CLOSE COUPLED PUMP JN TYPE PSE 143							
CHECKED		FRAME 143/5JM IP21 ODP							
RELEASED									
REL DT.		WMO	Jaragua do Sul	Product Engineering					

1 HP 06 Poles 60 Hz

PREVIEW
WDD
SHEET 1 / 1



**NEMA
Premium**

MADE IN MEXICO

MAT: 12676984 CC029A**W01.T00IC0X0N****MODEL 001120T3E145JM-S****01APR2022 B/N:**

PH 3	Hz 60	HP 1.0
FR 143/5JM		KW 0.75
DUTY CONT.		V 230/460
ALT 1000 m.a.s.l.		A 3.30/1.65
INS CL F AT 80K		SFA 3.79/1.90
AMB 40°C	DES B	SF 1.15
ENCL ODP	CODE K	PF 0.69
USABLE @ 208V 3.85A		RPM 1150
SF1.00		NEMA NOM. EFF 82.5%

ALTERNATE RATING: 1.0HP 50Hz 190-220/380-415V SF1.00
3.82-3.47/1.91-1.84A 920RPM EFF 77.3% (IE2) IEC 60034-1

Inverter duty motor For 80Hz use on VPWM 1000:1 VT, 5:1 CT

DE 6206-ZZ	ODE 6203-ZZ	MOBIL POLYREX EM
-------------------	--------------------	-------------------------



T1-BLU T2-WHT
 T3-ORG T4-YEL
 T5-BLK T6-GRY
 T7-PNK T8-RED
 T9-BRK RED

INTERCHANGE ANY TWO LINE WIRES TO REVERSE THE ROTATION

WARNING: Motor must be grounded in accordance with local and national electrical codes to prevent serious electrical shocks. Disconnect power source before servicing unit.

**AVERTISSEMENT:** Le moteur doit être mis à la terre

conformément aux codes électriques locaux et nationaux afin d'éviter tout choc électrique grave. Déconnectez l'alimentation avant l'entretien de la machine.

