

DATA SHEET



Three Phase Induction Motor - Squirrel Cage

Customer	:		
Product line	: Premium Efficiency Three-Phase	Product code :	14797787
		Catalog # :	00118ET3E56-S
Frame	: 56	Cooling method	: IC411 - TEFC
Insulation class	: F	Mounting	: F-1
Duty cycle	: Cont.(S1)	Rotation ¹	: Both (CW and CCW)
Ambient temperature	: -20°C to +40°C	Starting method	: Direct On Line
Altitude	: 1000 m.a.s.l.	Approx. weight ³	: 36.8 lb
Protection degree	: IP55	Moment of inertia (J)	: 0.1232 sq.ft.lb
Design	: B		
Output [HP]	1	1	1
Poles	4	4	4
Frequency [Hz]	60	50	50
Rated voltage [V]	230/460	190/380	220/415
Rated current [A]	2.94/1.47	3.40/1.70	3.09/1.64
L. R. Amperes [A]	25.3/12.6	22.1/11.0	22.0/11.6
LRC [A]	8.6x(Code M)	6.5x(Code J)	7.1x(Code K)
No load current [A]	1.78/0.890	1.76/0.879	1.77/0.938
Rated speed [RPM]	1765	1450	1455
Slip [%]	1.94	3.33	3.00
Rated torque [ft.lb]	2.98	3.62	3.61
Locked rotor torque [%]	280	200	220
Breakdown torque [%]	300	270	300
Service factor		1.00	1.00
Temperature rise	80 K	80 K	80 K
Locked rotor time	34s (cold) 19s (hot)	32s (cold) 18s (hot)	30s (cold) 17s (hot)
Noise level ²	52.0 dB(A)	49.0 dB(A)	49.0 dB(A)
Efficiency (%)	25%	81.0	81.2
	50%	82.5	81.5
	75%	84.0	83.6
	100%	85.5	83.5
Power Factor	25%	0.30	0.33
	50%	0.52	0.58
	75%	0.66	0.71
	100%	0.75	0.79
Bearing type	: <u>Drive end</u> 6204 ZZ	<u>Non drive end</u> 6202 ZZ	Foundation loads
Sealing	: V'Ring	Without Bearing Seal	Max. traction : 88 lb
			Max. compression : 125 lb
Lubrication interval	: -	-	
Lubricant amount	: -	-	
Lubricant type	: Mobil Polyrex EM		
Notes			
USABLE @208V 3.25A SF 1.00 SFA 3.25A			
This revision replaces and cancel the previous one, which must be eliminated.		These are average values based on tests with sinusoidal power supply, subject to the tolerances stipulated in NEMA MG-1.	
(1) Looking the motor from the shaft end.			
(2) Measured at 1m and with tolerance of +3dB(A).			
(3) Approximate weight subject to changes after manufacturing process.			
(4) At 100% of full load.			
Rev.	Changes Summary	Performed	Checked
Performed by			
Checked by			
Date	14/04/2022		
		Page	Revision
		1 / 13	

TORQUE AND CURRENT VS SPEED CURVE

Three Phase Induction Motor - Squirrel Cage



Customer :

Product line : Premium Efficiency Three-Phase

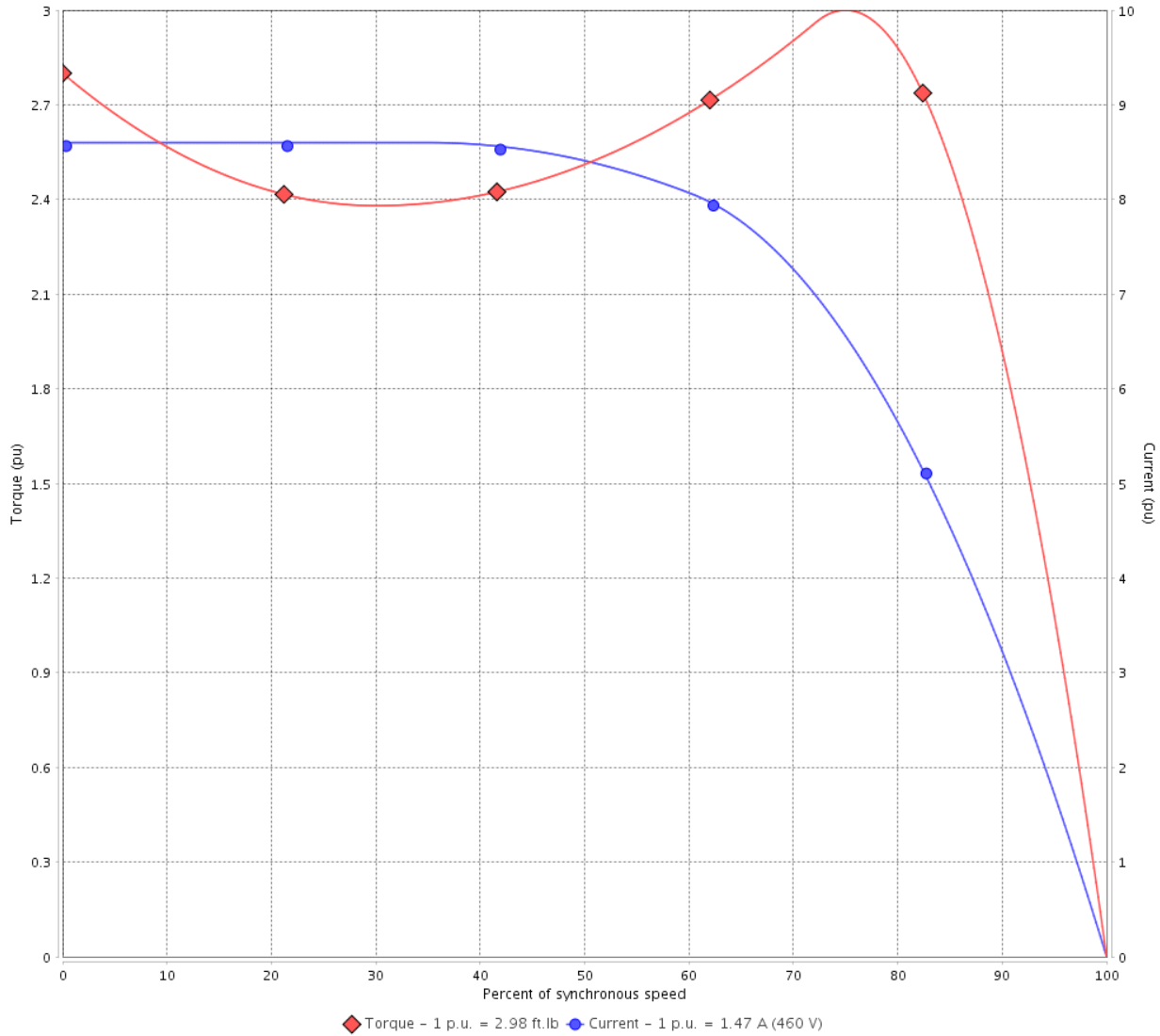
Product code :

14797787

Catalog # :

00118ET3E56-S

TORQUE AND CURRENT VS SPEED CURVE



Performance : 230/460 V 60 Hz 4P

Rated current : 2.94/1.47 A
 LRC : 8.6
 Rated torque : 2.98 ft.lb
 Locked rotor torque : 280 %
 Breakdown torque : 300 %
 Rated speed : 1765 rpm

Moment of inertia (J) : 0.1232 sq.ft.lb
 Duty cycle : Cont.(S1)
 Insulation class : F
 Service factor :
 Temperature rise : 80 K
 Design : B

Locked rotor time : 34s (cold) 19s (hot)

Rev.	Changes Summary	Performed	Checked	Date
Performed by		Page		Revision
Checked by		2 / 13		
Date	14/04/2022			

TORQUE AND CURRENT VS SPEED CURVE

Three Phase Induction Motor - Squirrel Cage



Customer : _____

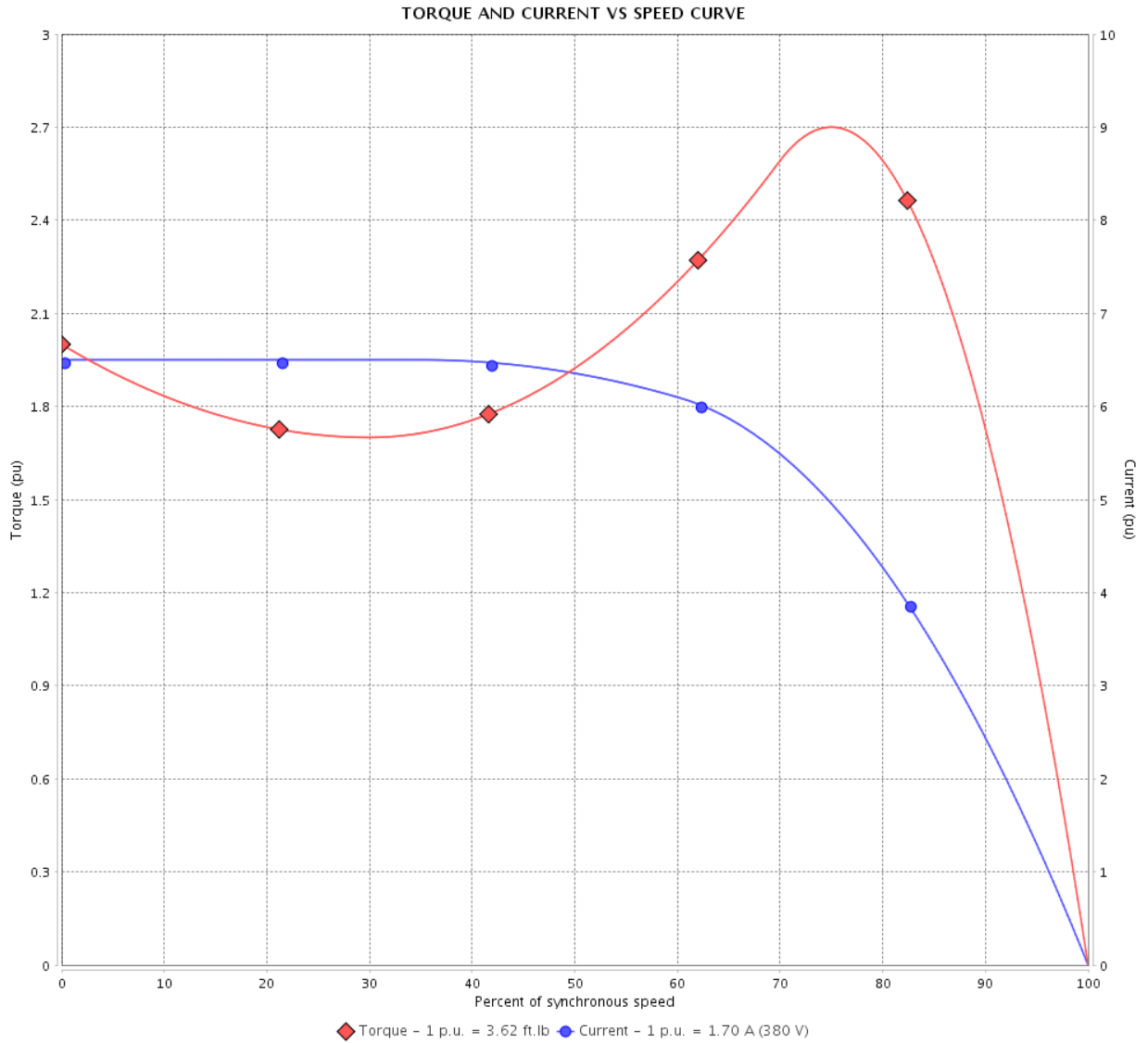
Product line : Premium Efficiency Three-Phase

Product code :

14797787

Catalog # :

00118ET3E56-S



Performance : 190/380 V 50 Hz 4P

Rated current : 3.40/1.70 A
 LRC : 6.5
 Rated torque : 3.62 ft.lb
 Locked rotor torque : 200 %
 Breakdown torque : 270 %
 Rated speed : 1450 rpm

Moment of inertia (J) : 0.1232 sq.ft.lb
 Duty cycle : Cont.(S1)
 Insulation class : F
 Service factor : 1.00
 Temperature rise : 80 K
 Design : B

Locked rotor time : 32s (cold) 18s (hot)

Rev.	Changes Summary	Performed	Checked	Date
Performed by			Page 3 / 13	Revision
Checked by				
Date	14/04/2022			

TORQUE AND CURRENT VS SPEED CURVE

Three Phase Induction Motor - Squirrel Cage



Customer :

Product line : Premium Efficiency Three-Phase

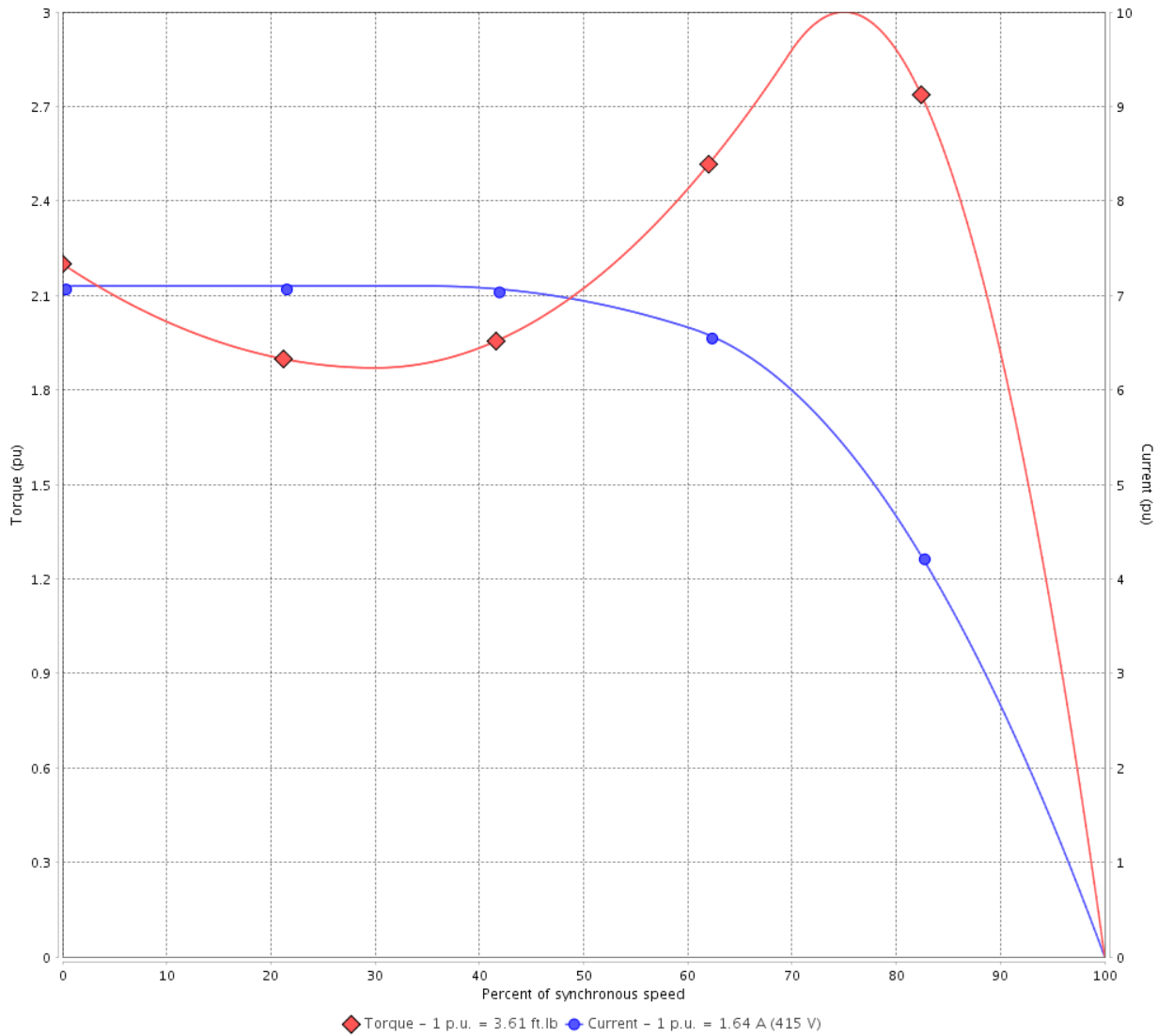
Product code :

14797787

Catalog # :

00118ET3E56-S

TORQUE AND CURRENT VS SPEED CURVE



Performance : 220/415 V 50 Hz 4P

Rated current : 3.09/1.64 A
 LRC : 7.1
 Rated torque : 3.61 ft.lb
 Locked rotor torque : 220 %
 Breakdown torque : 300 %
 Rated speed : 1455 rpm

Moment of inertia (J) : 0.1232 sq.ft.lb
 Duty cycle : Cont.(S1)
 Insulation class : F
 Service factor : 1.00
 Temperature rise : 80 K
 Design : B

Locked rotor time : 30s (cold) 17s (hot)

Rev.	Changes Summary	Performed	Checked	Date
Performed by			Page 4 / 13	Revision
Checked by				
Date	14/04/2022			

LOAD PERFORMANCE CURVE

Three Phase Induction Motor - Squirrel Cage



Customer : _____

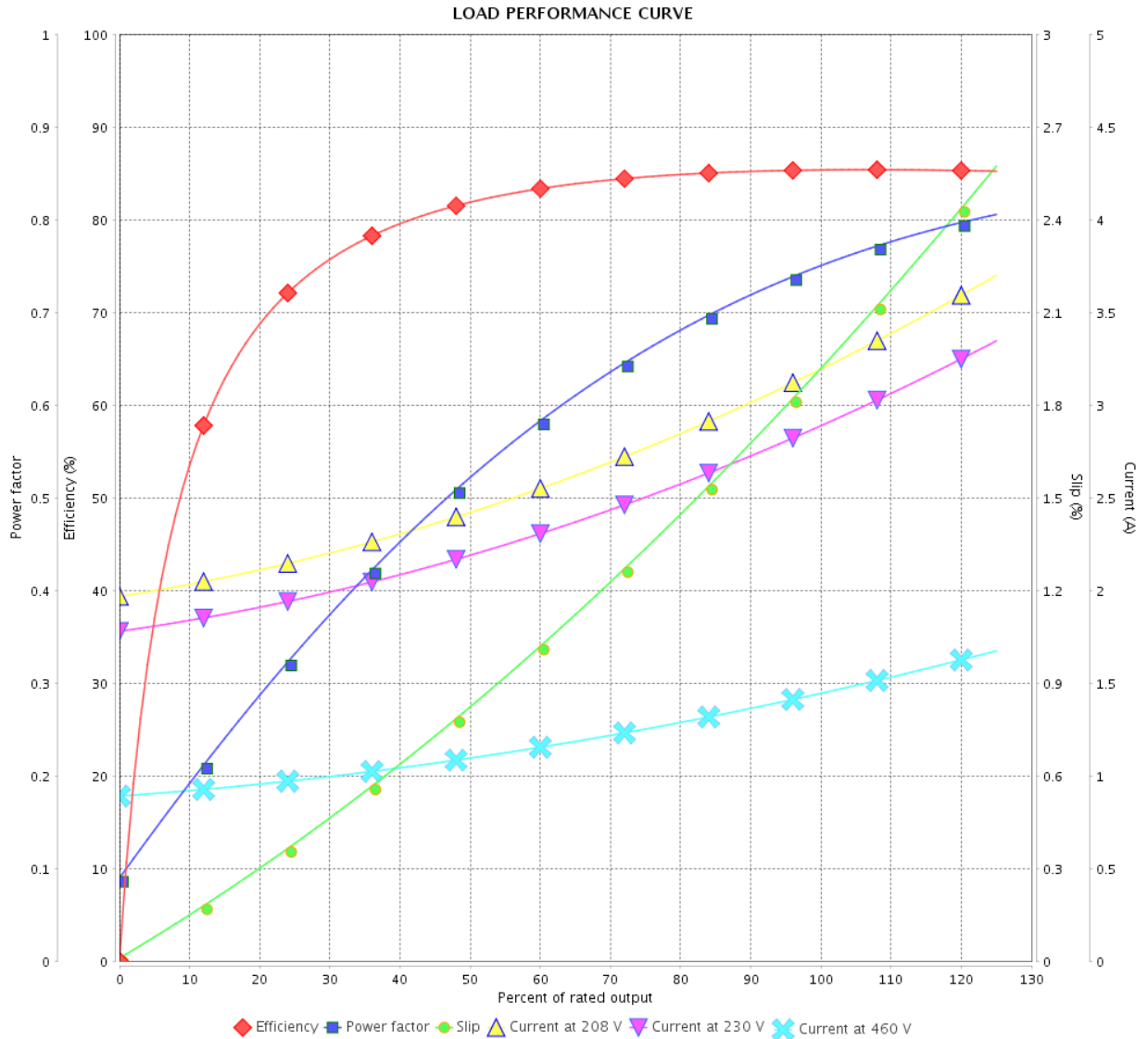
Product line : Premium Efficiency Three-Phase

Product code :

14797787

Catalog # :

00118ET3E56-S



Performance : 230/460 V 60 Hz 4P

Rated current : 2.94/1.47 A
 LRC : 8.6
 Rated torque : 2.98 ft.lb
 Locked rotor torque : 280 %
 Breakdown torque : 300 %
 Rated speed : 1765 rpm

Moment of inertia (J) : 0.1232 sq.ft.lb
 Duty cycle : Cont.(S1)
 Insulation class : F
 Service factor :
 Temperature rise : 80 K
 Design : B

Rev.	Changes Summary	Performed	Checked	Date
Performed by			Page	Revision
Checked by				
Date				

LOAD PERFORMANCE CURVE

Three Phase Induction Motor - Squirrel Cage



Customer :

Product line : Premium Efficiency Three-Phase

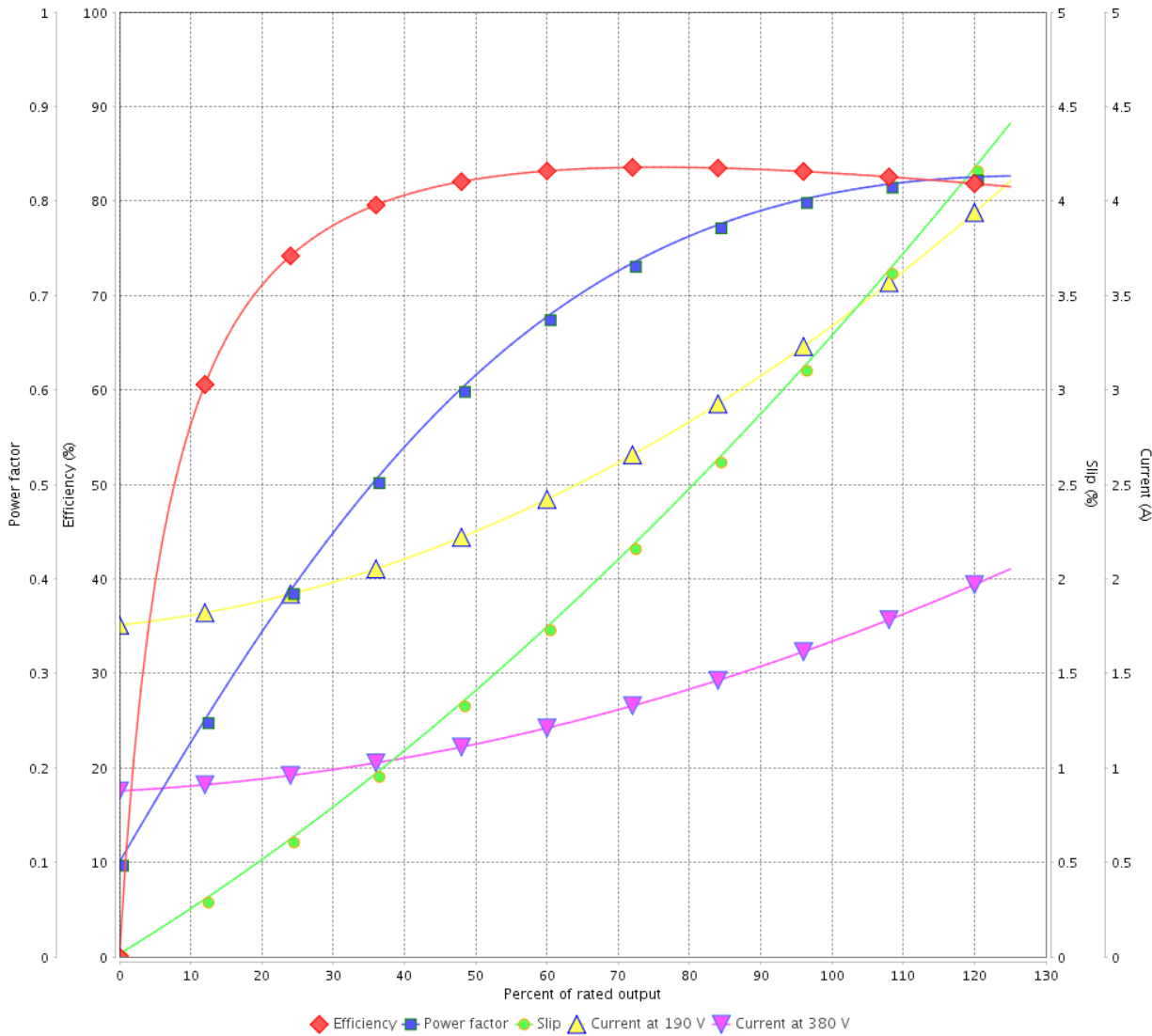
Product code :

14797787

Catalog # :

00118ET3E56-S

LOAD PERFORMANCE CURVE



Performance : 190/380 V 50 Hz 4P

Rated current : 3.40/1.70 A
 LRC : 6.5
 Rated torque : 3.62 ft.lb
 Locked rotor torque : 200 %
 Breakdown torque : 270 %
 Rated speed : 1450 rpm

Moment of inertia (J) : 0.1232 sq.ft.lb
 Duty cycle : Cont.(S1)
 Insulation class : F
 Service factor : 1.00
 Temperature rise : 80 K
 Design : B

Rev.	Changes Summary	Performed	Checked	Date
Performed by			Page	Revision
Checked by				
Date				

LOAD PERFORMANCE CURVE

Three Phase Induction Motor - Squirrel Cage



Customer : _____

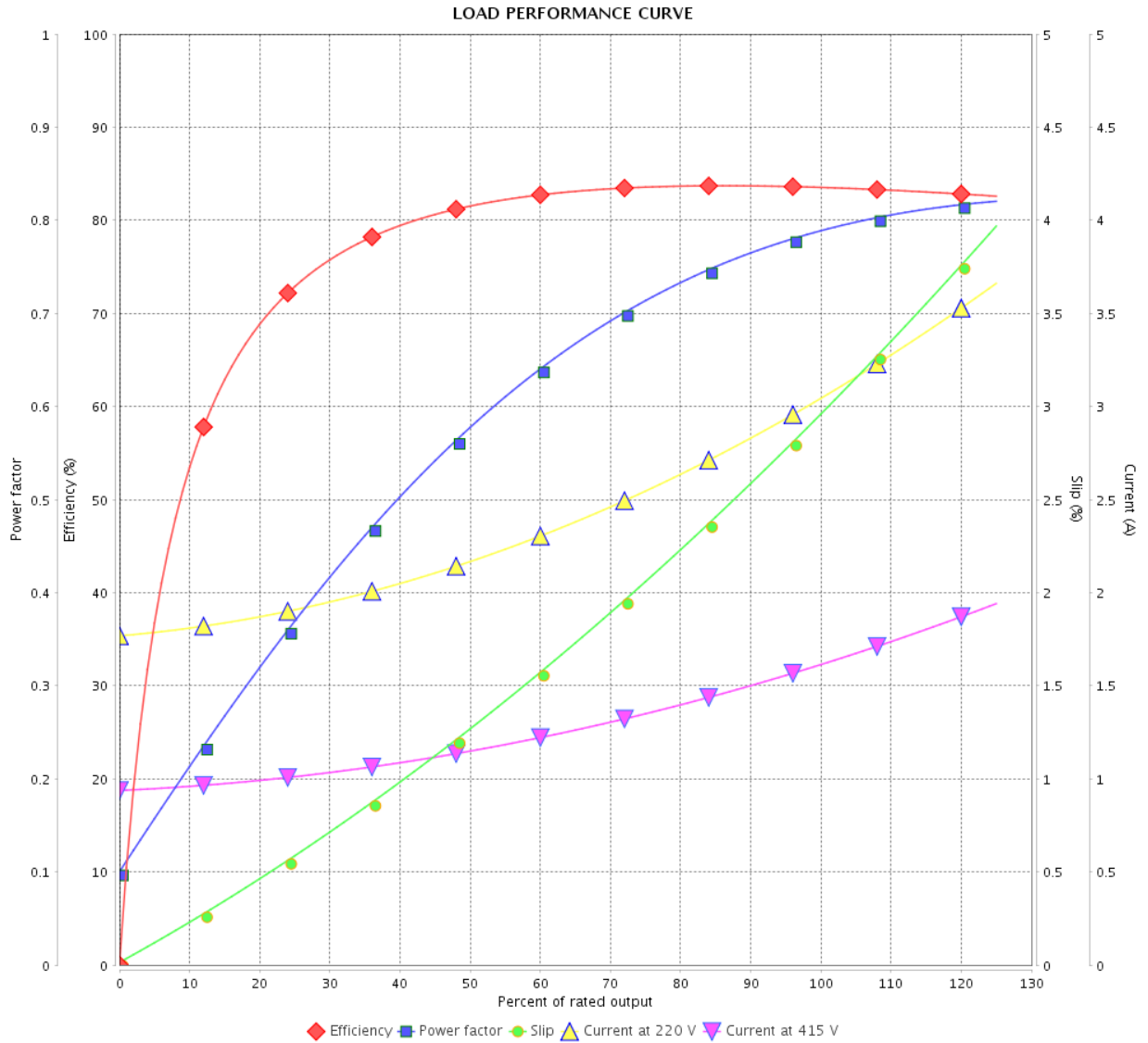
Product line : Premium Efficiency Three-Phase

Product code :

14797787

Catalog # :

00118ET3E56-S



Performance : 220/415 V 50 Hz 4P

Rated current : 3.09/1.64 A
 LRC : 7.1
 Rated torque : 3.61 ft.lb
 Locked rotor torque : 220 %
 Breakdown torque : 300 %
 Rated speed : 1455 rpm

Moment of inertia (J) : 0.1232 sq.ft.lb
 Duty cycle : Cont.(S1)
 Insulation class : F
 Service factor : 1.00
 Temperature rise : 80 K
 Design : B

Rev.	Changes Summary	Performed	Checked	Date
Performed by		Page		Revision
Checked by		7 / 13		
Date		14/04/2022		

THERMAL LIMIT CURVE

Three Phase Induction Motor - Squirrel Cage



Customer :

Product line : Premium Efficiency Three-Phase

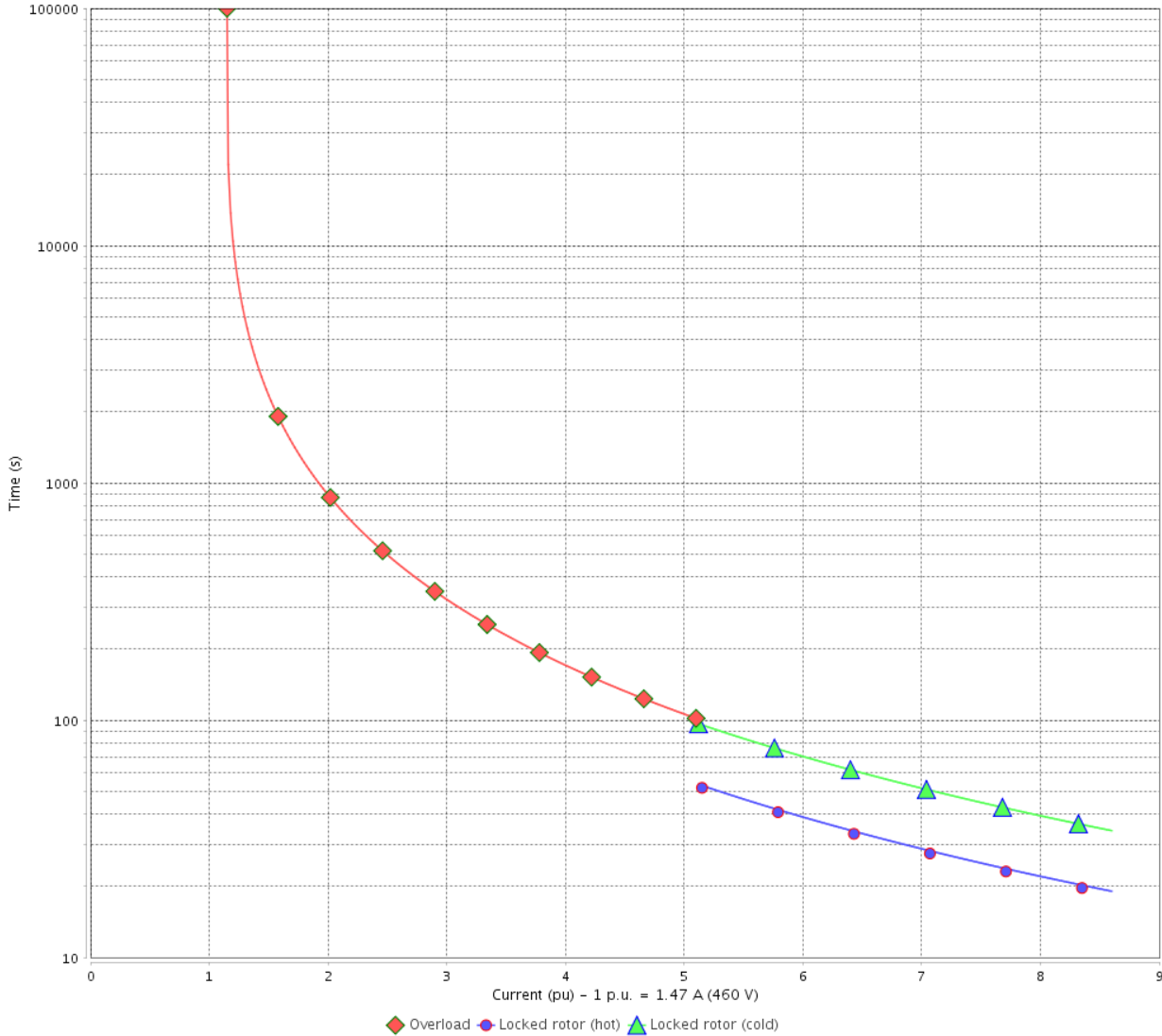
Product code :

14797787

Catalog # :

00118ET3E56-S

THERMAL LIMIT CURVE



Performance : 230/460 V 60 Hz 4P

Rated current : 2.94/1.47 A
 LRC : 8.6
 Rated torque : 2.98 ft.lb
 Locked rotor torque : 280 %
 Breakdown torque : 300 %
 Rated speed : 1765 rpm

Moment of inertia (J) : 0.1232 sq.ft.lb
 Duty cycle : Cont.(S1)
 Insulation class : F
 Service factor :
 Temperature rise : 80 K
 Design : B

Heating constant

Cooling constant

Rev.	Changes Summary	Performed	Checked	Date
Performed by			Page 8 / 13	Revision
Checked by				
Date	14/04/2022			

THERMAL LIMIT CURVE

Three Phase Induction Motor - Squirrel Cage



Customer :

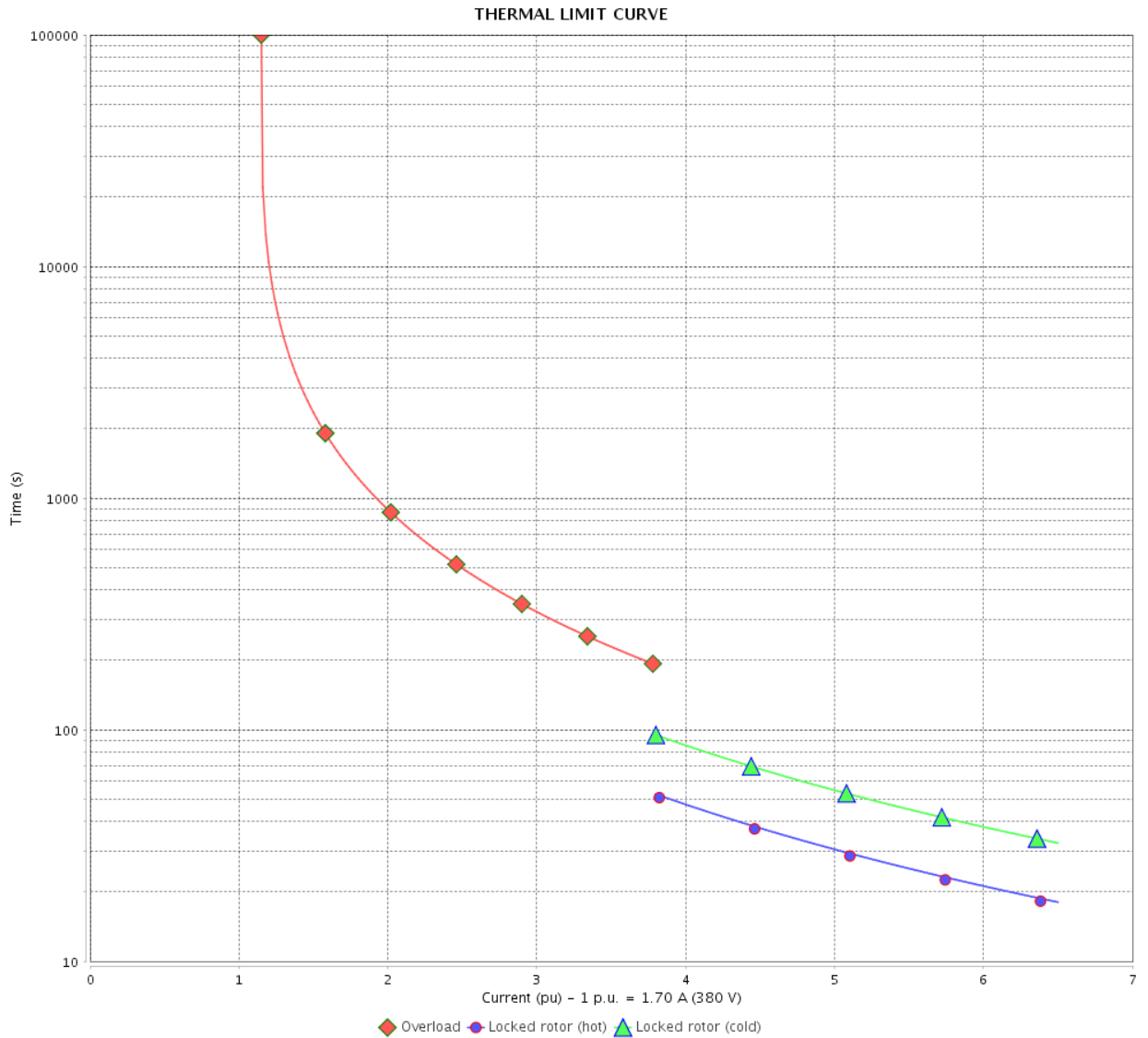
Product line : Premium Efficiency Three-Phase

Product code :

14797787

Catalog # :

00118ET3E56-S



Performance : 190/380 V 50 Hz 4P

Rated current : 3.40/1.70 A
 LRC : 6.5
 Rated torque : 3.62 ft.lb
 Locked rotor torque : 200 %
 Breakdown torque : 270 %
 Rated speed : 1450 rpm

Moment of inertia (J) : 0.1232 sq.ft.lb
 Duty cycle : Cont.(S1)
 Insulation class : F
 Service factor : 1.00
 Temperature rise : 80 K
 Design : B

Heating constant

Cooling constant

Rev.	Changes Summary	Performed	Checked	Date
Performed by			Page 9 / 13	Revision
Checked by				
Date	14/04/2022			

THERMAL LIMIT CURVE

Three Phase Induction Motor - Squirrel Cage



Customer : _____

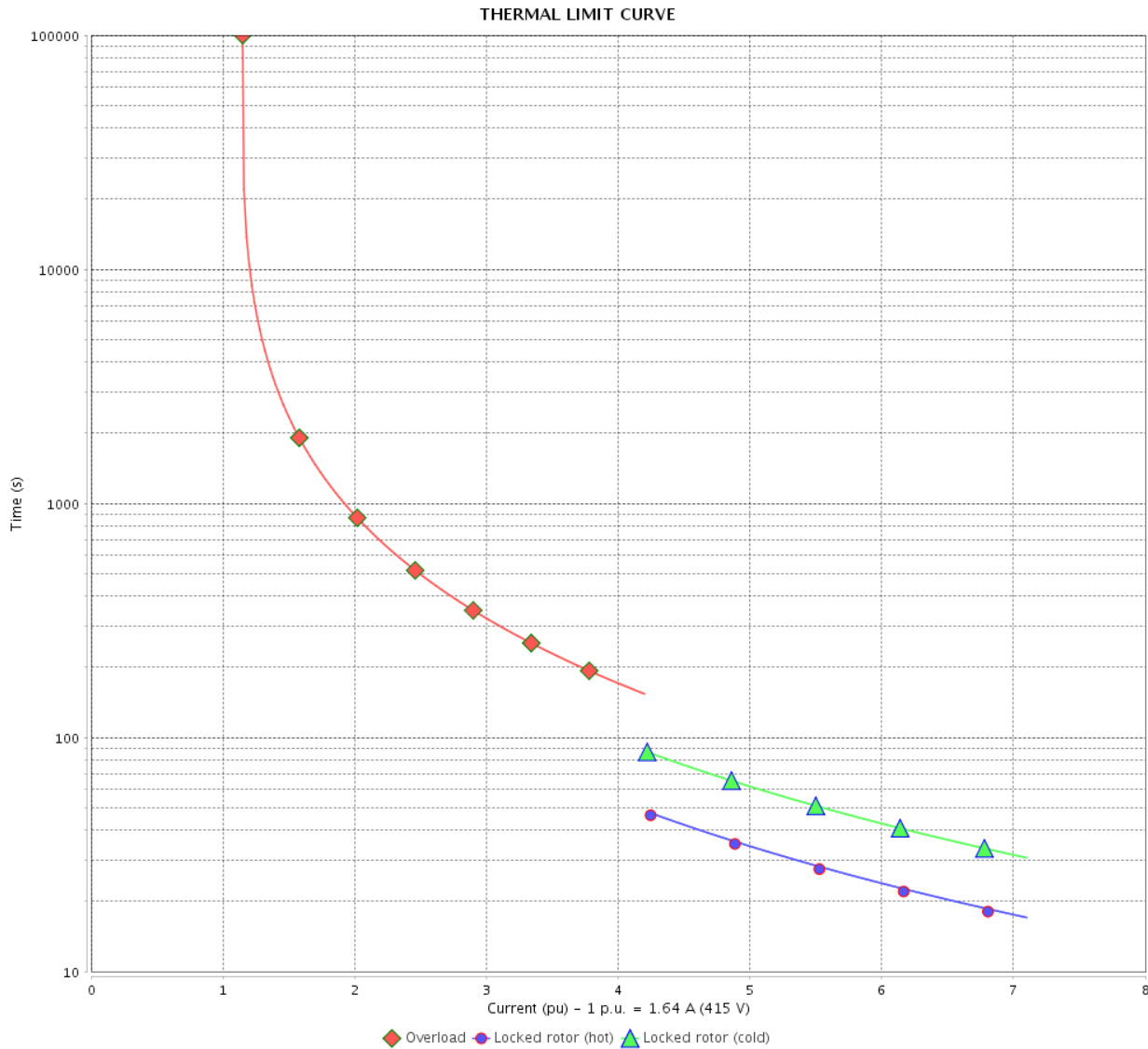
Product line : Premium Efficiency Three-Phase

Product code :

14797787

Catalog # :

00118ET3E56-S



Performance : 220/415 V 50 Hz 4P

Rated current : 3.09/1.64 A
 LRC : 7.1
 Rated torque : 3.61 ft.lb
 Locked rotor torque : 220 %
 Breakdown torque : 300 %
 Rated speed : 1455 rpm

Moment of inertia (J) : 0.1232 sq.ft.lb
 Duty cycle : Cont.(S1)
 Insulation class : F
 Service factor : 1.00
 Temperature rise : 80 K
 Design : B

Heating constant

Cooling constant

Rev.	Changes Summary	Performed	Checked	Date
Performed by			Page	Revision
Checked by				
Date				

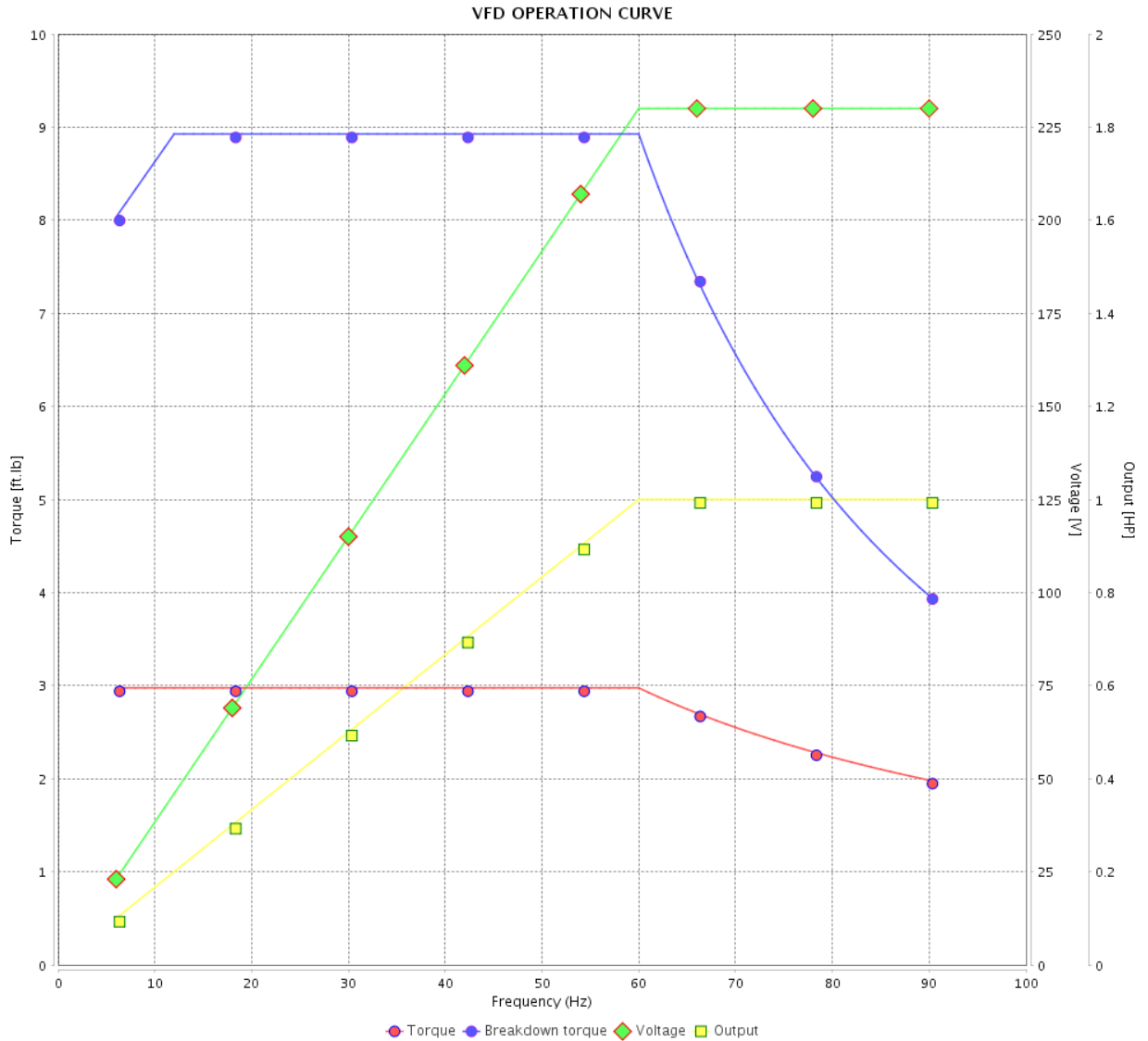
VFD OPERATION CURVE

Three Phase Induction Motor - Squirrel Cage



Customer : _____

Product line : Premium Efficiency Three-Phase Product code : 14797787
 Catalog # : 00118ET3E56-S



Performance : 230/460 V 60 Hz 4P

Rated current : 2.94/1.47 A
 LRC : 8.6
 Rated torque : 2.98 ft.lb
 Locked rotor torque : 280 %
 Breakdown torque : 300 %
 Rated speed : 1765 rpm

Moment of inertia (J) : 0.1232 sq.ft.lb
 Duty cycle : Cont.(S1)
 Insulation class : F
 Service factor :
 Temperature rise : 80 K
 Design : B

Rev.	Changes Summary	Performed	Checked	Date
Performed by			Page	Revision
Checked by				
Date				
			11 / 13	

VFD OPERATION CURVE

Three Phase Induction Motor - Squirrel Cage



Customer :

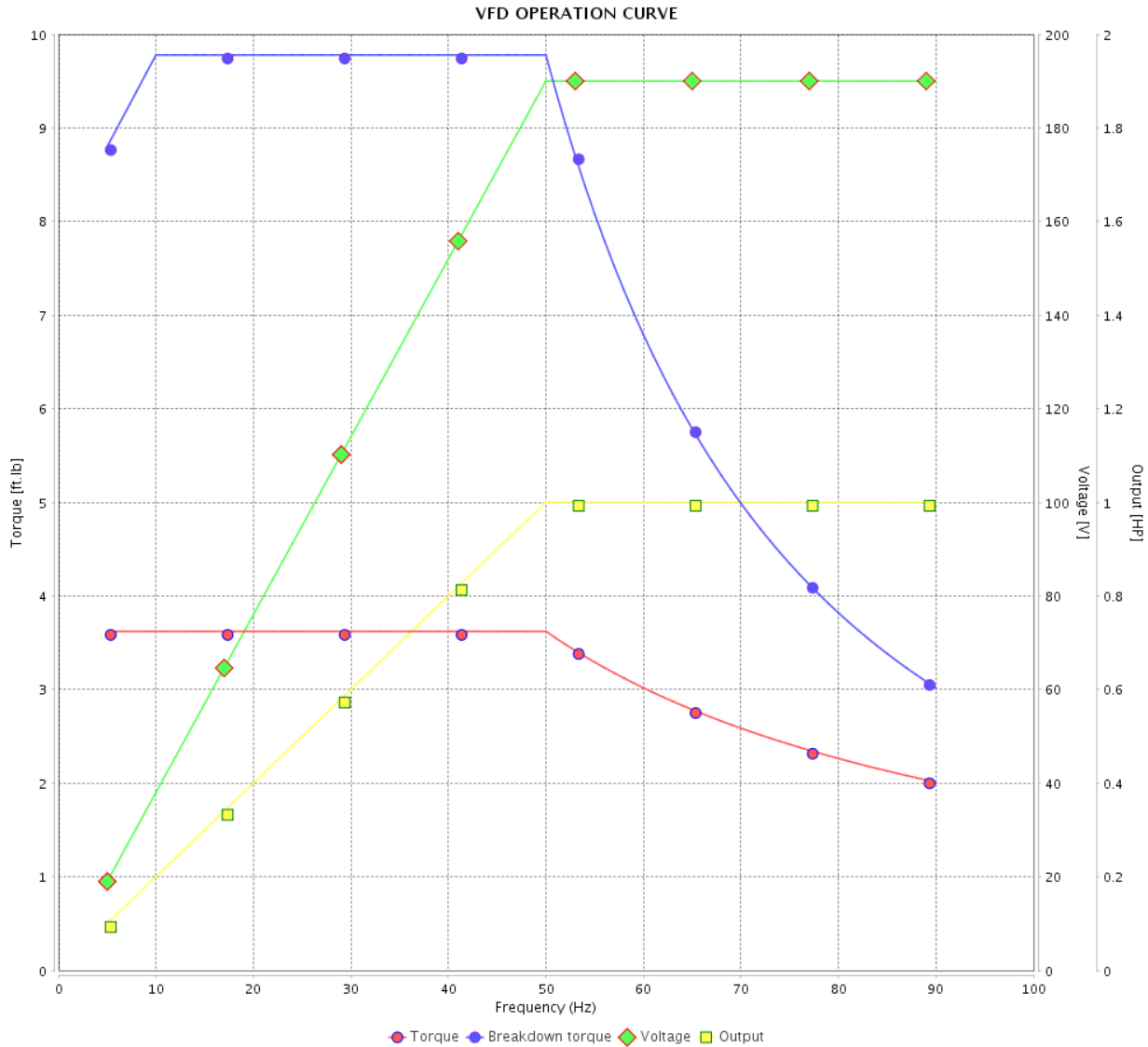
Product line : Premium Efficiency Three-Phase

Product code :

14797787

Catalog # :

00118ET3E56-S



Performance : 190/380 V 50 Hz 4P

Rated current : 3.40/1.70 A
 LRC : 6.5
 Rated torque : 3.62 ft.lb
 Locked rotor torque : 200 %
 Breakdown torque : 270 %
 Rated speed : 1450 rpm

Moment of inertia (J) : 0.1232 sq.ft.lb
 Duty cycle : Cont.(S1)
 Insulation class : F
 Service factor : 1.00
 Temperature rise : 80 K
 Design : B

Rev.	Changes Summary	Performed	Checked	Date
Performed by			Page	Revision
Checked by				
Date				

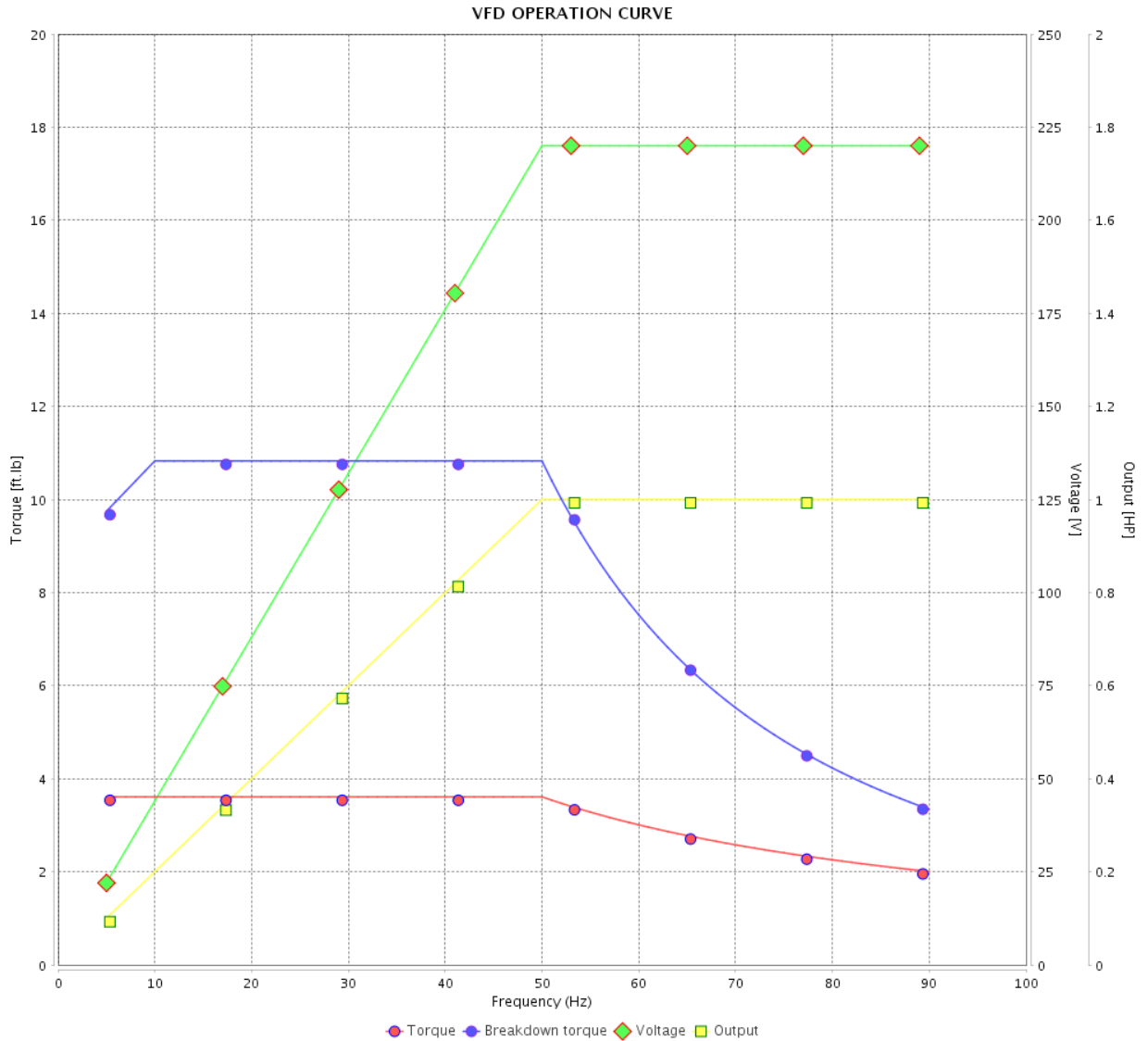
VFD OPERATION CURVE

Three Phase Induction Motor - Squirrel Cage



Customer :

Product line : Premium Efficiency Three-Phase Product code : 14797787
 Catalog # : 00118ET3E56-S



Performance : 220/415 V 50 Hz 4P

Rated current : 3.09/1.64 A
 LRC : 7.1
 Rated torque : 3.61 ft.lb
 Locked rotor torque : 220 %
 Breakdown torque : 300 %
 Rated speed : 1455 rpm

Moment of inertia (J) : 0.1232 sq.ft.lb
 Duty cycle : Cont.(S1)
 Insulation class : F
 Service factor : 1.00
 Temperature rise : 80 K
 Design : B

Rev.	Changes Summary	Performed	Checked	Date
Performed by			Page	Revision
Checked by				
Date				

1 2 3 4 5 6

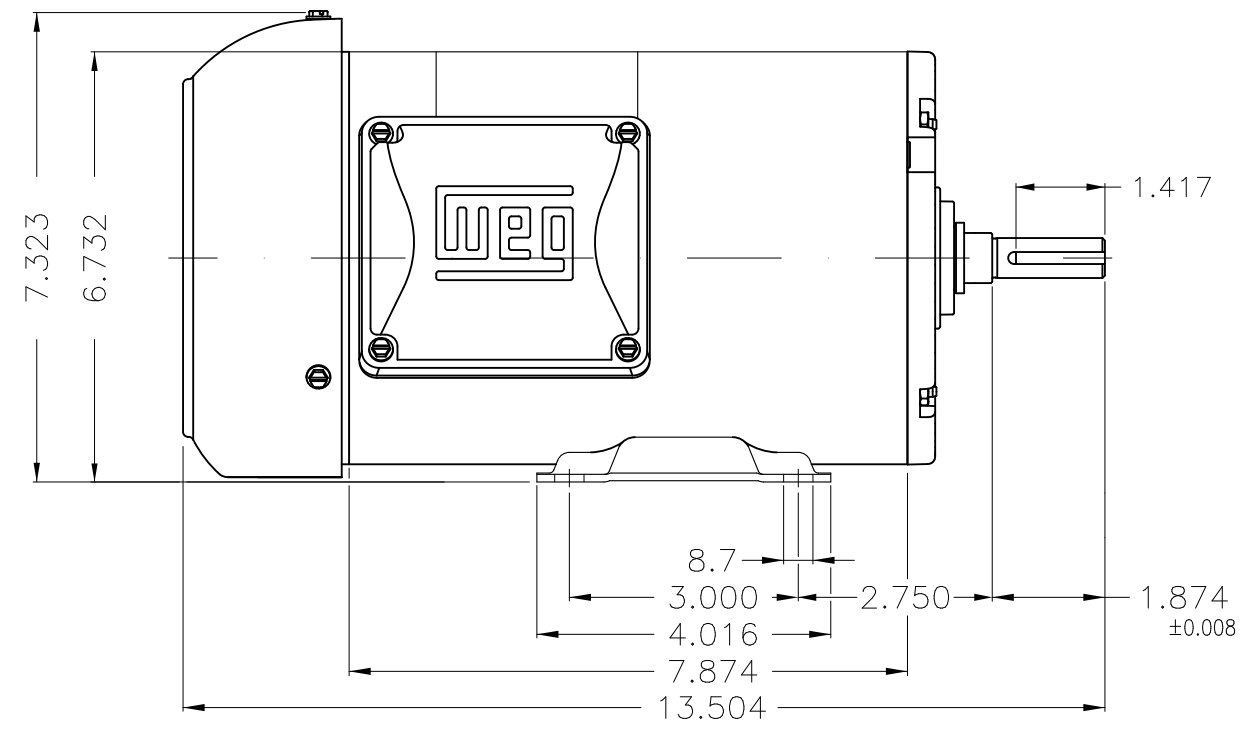
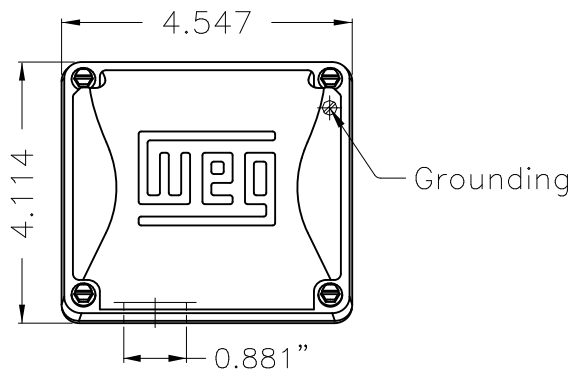
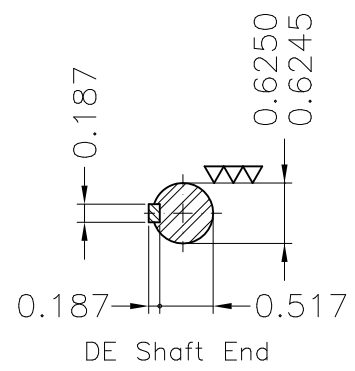
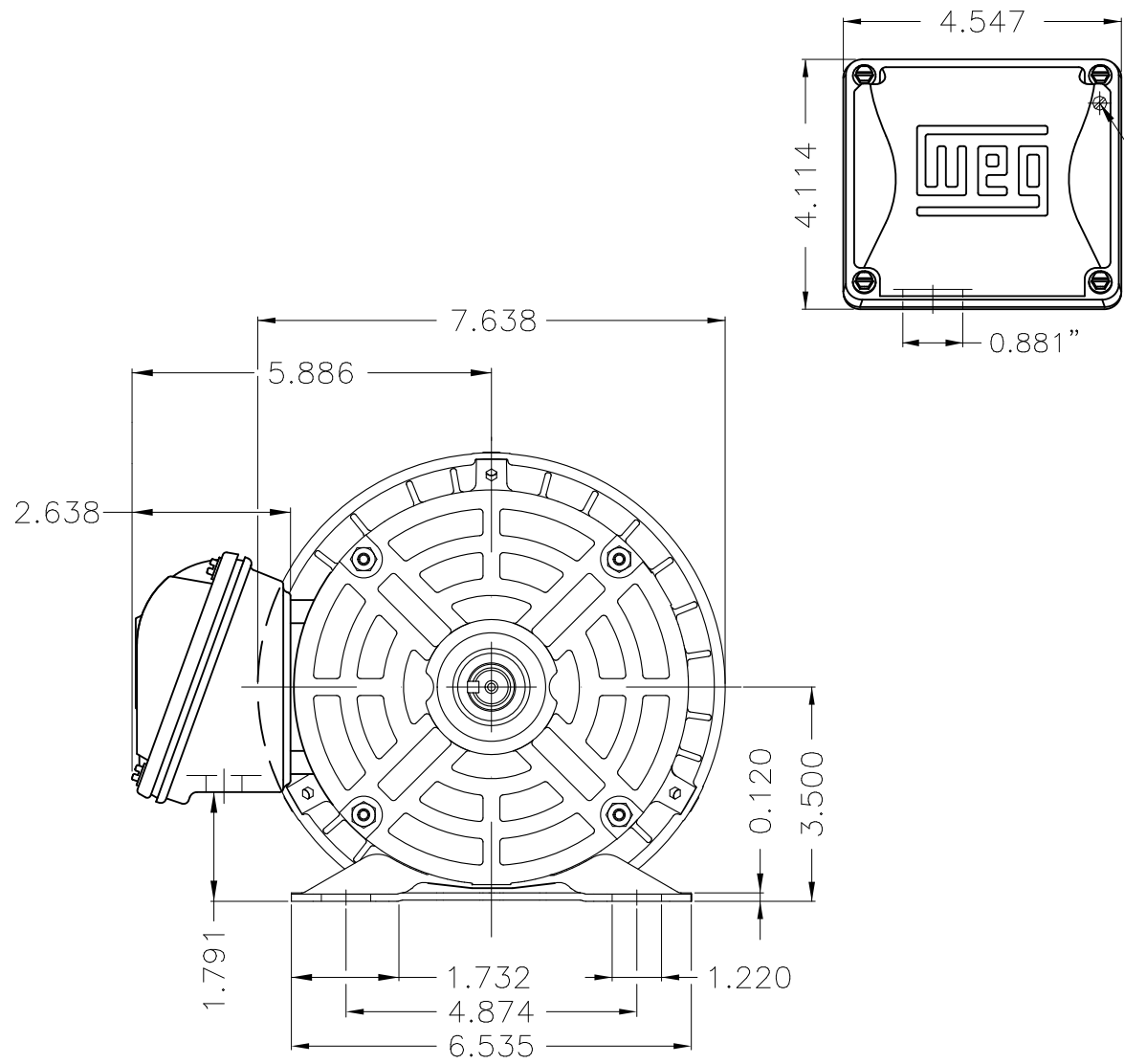
A


B

C

D

E



Fan cover - steel plate											
Without coating											
Mounting F-1/B3R(D)											
ECM	LOC	SUMMARY OF MODIFICATIONS					EXECUTED	CHECKED	RELEASED	DATE	VER
EXECUTED	PIRWUSER	THREE PH. MOTOR ROLLED STEEL PREM. EFF.					PREVIEW	WDD	SHEET	1 / 1	
CHECKED		FRAME 56 IP55 TEFC									
RELEASED											
REL DT.		WMO	Jaragua do Sul	Product Engineering							

1 HP 04 Poles 60 Hz

A

WEG's property. Forbidden reproduction without previous authorization.

Dimensions in inches XME A3

**NEMA
Premium**

®



3PT9

C_{UL} US LISTED
FOR SAFE AREA

Energy Verified

MADE IN BRAZIL

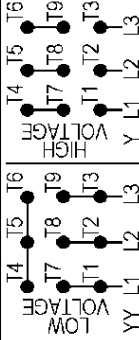
MAT: 14797787 CC029A**W01.TE0IC0X0X****MODEL 00118ET3E56-S****13APR2022 B/N:****For 60Hz: Class I, Zone 2, IIC
Class I, Div.2, Gr. A,B,C,D - T3
Div 2 Inverter Duty (SF1.00)****CT 2:1/VT 1000:1**

PH 3	Hz 60	HP 1.0
FR 56		KW 0.75
DUTY CONT.		V 230/460
ALT 1000 m.a.s.l.		A 2.94/1.47
INS CL F AT 80K	IP55	SFA 3.38/1.69
AMB 40°C	DES B	SF 1.15
ENCL TEFC	CODE M	PF 0.75
USABLE @ 208V 3.25A		RPM 1765
SF1.00		NEMA NOM. EFF 85.5%

ALTERNATE RATING: 1.0HP	50Hz	190-220/380-415V	SF1.00
3.40-3.06/1.70-1.62A	1450RPM	EFF 82.9%	(IE3) IEC 60034-1

For safe area-inverter duty motor For 60Hz use on VPWM 1000:1 VT, 5:1 CT

DE 6204-ZZ	ODE 6202-ZZ	MOBIL POLYREX EM
------------	-------------	------------------



T1-BLU T2-WHT
T3-ORG T4-YEL
T5-BLK T6-GRY
T7-PNK T8-RED
T9-BRK RED

INTERCHANGE ANY TWO LINE WIRES TO REVERSE THE ROTATION

WARNING: Motor must be grounded in accordance with local and national electrical codes to prevent serious electrical shocks. Disconnect power source before servicing unit.

**AVERTISSEMENT:** Le moteur doit être mis à la terre

conformément aux codes électriques locaux et nationaux afin d'éviter tout choc électrique grave. Déconnectez l'alimentation avant l'entretien de la machine.

