

# DATA SHEET

## Three Phase Induction Motor - Squirrel Cage



Customer :		
Product line	: NEMA Premium Efficiency Three-Phase	
Product code :	14788518	
Catalog # :	00118ET3ER143TC-S	
Frame	: 143/5TC	
Insulation class	: F	
Duty cycle	: Cont.(S1)	
Ambient temperature	: -20°C to +40°C	
Altitude	: 1000 m.a.s.l.	
Protection degree	: IP55	
Design	: B	
Cooling method	: IC411 - TEFC	
Mounting	: W-6	
Rotation <sup>1</sup>	: Both (CW and CCW)	
Starting method	: Direct On Line	
Approx. weight <sup>2</sup>	: 38.1 lb	
Moment of inertia (J)	: 0.1232 sq.ft.lb	
Output [HP]	1	
Poles	4	
Frequency [Hz]	60	
Rated voltage [V]	230/460	
Rated current [A]	2.94/1.47	
L. R. Amperes [A]	25.3/12.6	
LRC [A]	8.6x(Code M)	
No load current [A]	1.78/0.890	
Rated speed [RPM]	1765	
Slip [%]	1.94	
Rated torque [ft.lb]	2.98	
Locked rotor torque [%]	280	
Breakdown torque [%]	300	
Service factor	1.15	
Temperature rise	80 K	
Locked rotor time	34s (cold) 19s (hot)	
Noise level <sup>2</sup>	52.0 dB(A)	
Efficiency (%)	25%	81.0
	50%	82.5
	75%	84.0
	100%	85.5
Power Factor	25%	0.30
	50%	0.52
	75%	0.66
	100%	0.75
Bearing type	: <u>Drive end</u> 6205 ZZ <u>Non drive end</u> 6203 ZZ	
Sealing	: V'Ring Without Bearing Seal	
Lubrication interval	: - -	
Lubricant amount	: - -	
Lubricant type	: Mobil Polyrex EM	
Foundation loads	Max. traction : 75 lb	
	Max. compression : 113 lb	
Notes USABLE @208V 3.25A SF 1.00 SFA 3.25A		
This revision replaces and cancel the previous one, which must be eliminated. (1) Looking the motor from the shaft end. (2) Measured at 1m and with tolerance of +3dB(A). (3) Approximate weight subject to changes after manufacturing process. (4) At 100% of full load.		
These are average values based on tests with sinusoidal power supply, subject to the tolerances stipulated in NEMA MG-1.		
Rev.	Changes Summary	
Performed by	Performed	
Checked by	Checked	
Date	Date	
14/04/2022		
Page	Revision	
1 / 16		

# TORQUE AND CURRENT VS SPEED CURVE

Three Phase Induction Motor - Squirrel Cage

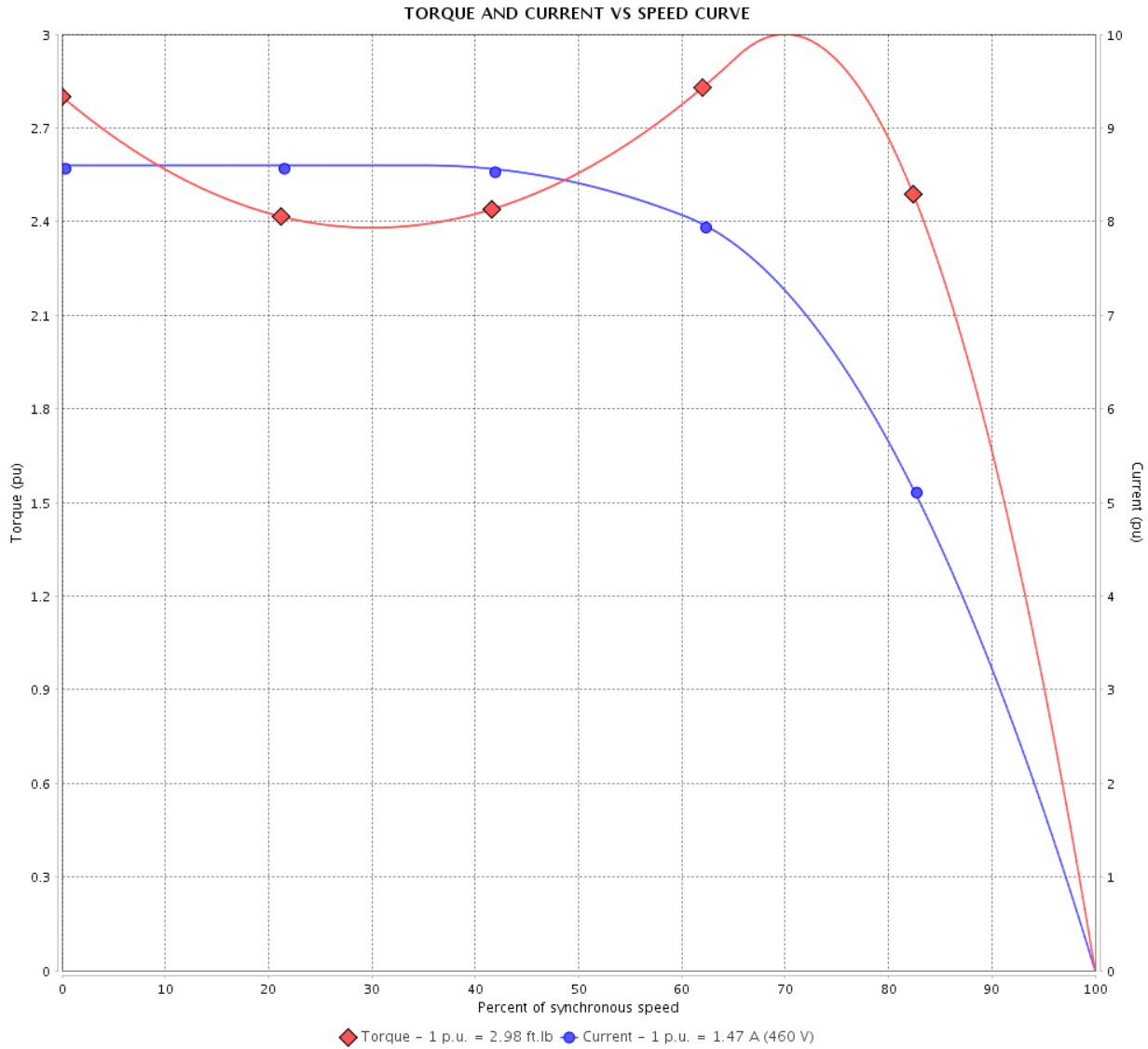


Customer :

Product line : NEMA Premium Efficiency Three-Phase

Product code : 14788518

Catalog # : 00118ET3ER143TC-S



Performance : 230/460 V 60 Hz 4P

Rated current	: 2.94/1.47 A	Moment of inertia (J)	: 0.1232 sq.ft.lb
LRC	: 8.6	Duty cycle	: Cont.(S1)
Rated torque	: 2.98 ft.lb	Insulation class	: F
Locked rotor torque	: 280 %	Service factor	:
Breakdown torque	: 300 %	Temperature rise	: 80 K
Rated speed	: 1765 rpm	Design	: B

Locked rotor time : 34s (cold) 19s (hot)

Rev.	Changes Summary	Performed	Checked	Date
Performed by			Page 2 / 16	Revision
Checked by				
Date	14/04/2022			

# TORQUE AND CURRENT VS SPEED CURVE



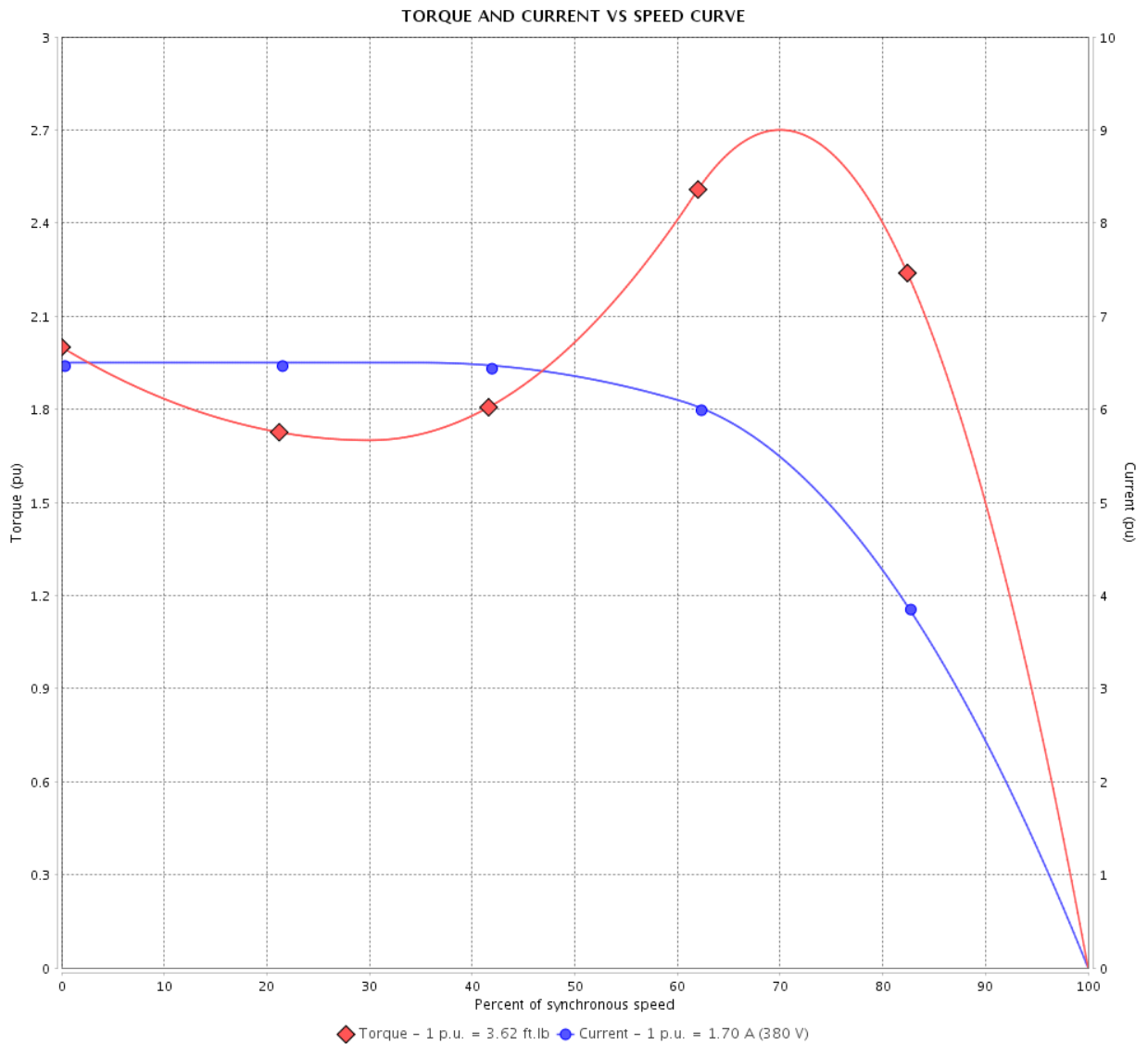
## Three Phase Induction Motor - Squirrel Cage

Customer :

Product line : NEMA Premium Efficiency Three-Phase

Product code : 14788518

Catalog # : 00118ET3ER143TC-S



Performance : 190/380 V 50 Hz 4P

Rated current : 3.40/1.70 A  
 LRC : 6.5  
 Rated torque : 3.62 ft.lb  
 Locked rotor torque : 200 %  
 Breakdown torque : 270 %  
 Rated speed : 1450 rpm

Moment of inertia (J) : 0.1232 sq.ft.lb  
 Duty cycle : Cont.(S1)  
 Insulation class : F  
 Service factor : 1.15  
 Temperature rise : 80 K  
 Design : B

Locked rotor time : 0s (cold) 0s (hot)

Rev.	Changes Summary	Performed	Checked	Date
Performed by			Page 3 / 16	Revision
Checked by				
Date	14/04/2022			

# TORQUE AND CURRENT VS SPEED CURVE

Three Phase Induction Motor - Squirrel Cage



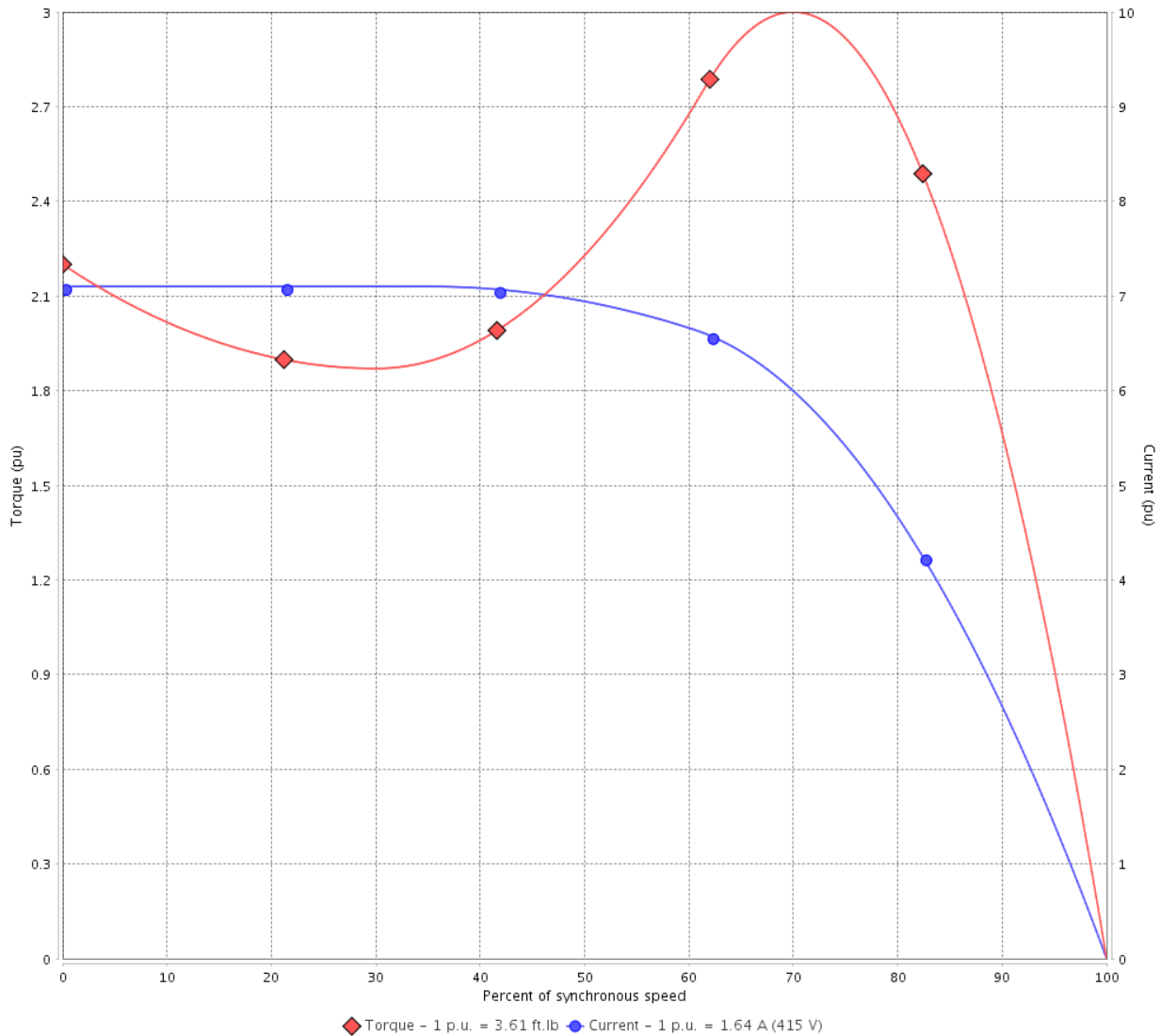
Customer :

Product line : NEMA Premium Efficiency Three-Phase

Product code : 14788518

Catalog # : 00118ET3ER143TC-S

TORQUE AND CURRENT VS SPEED CURVE



Performance : 220/415 V 50 Hz 4P

Rated current : 3.09/1.64 A  
 LRC : 7.1  
 Rated torque : 3.61 ft.lb  
 Locked rotor torque : 220 %  
 Breakdown torque : 300 %  
 Rated speed : 1455 rpm

Moment of inertia (J) : 0.1232 sq.ft.lb  
 Duty cycle : Cont.(S1)  
 Insulation class : F  
 Service factor : 1.15  
 Temperature rise : 80 K  
 Design : B

Locked rotor time : 0s (cold) 0s (hot)

Rev.	Changes Summary	Performed	Checked	Date
Performed by			Page 4 / 16	Revision
Checked by				
Date	14/04/2022			

# LOAD PERFORMANCE CURVE

## Three Phase Induction Motor - Squirrel Cage

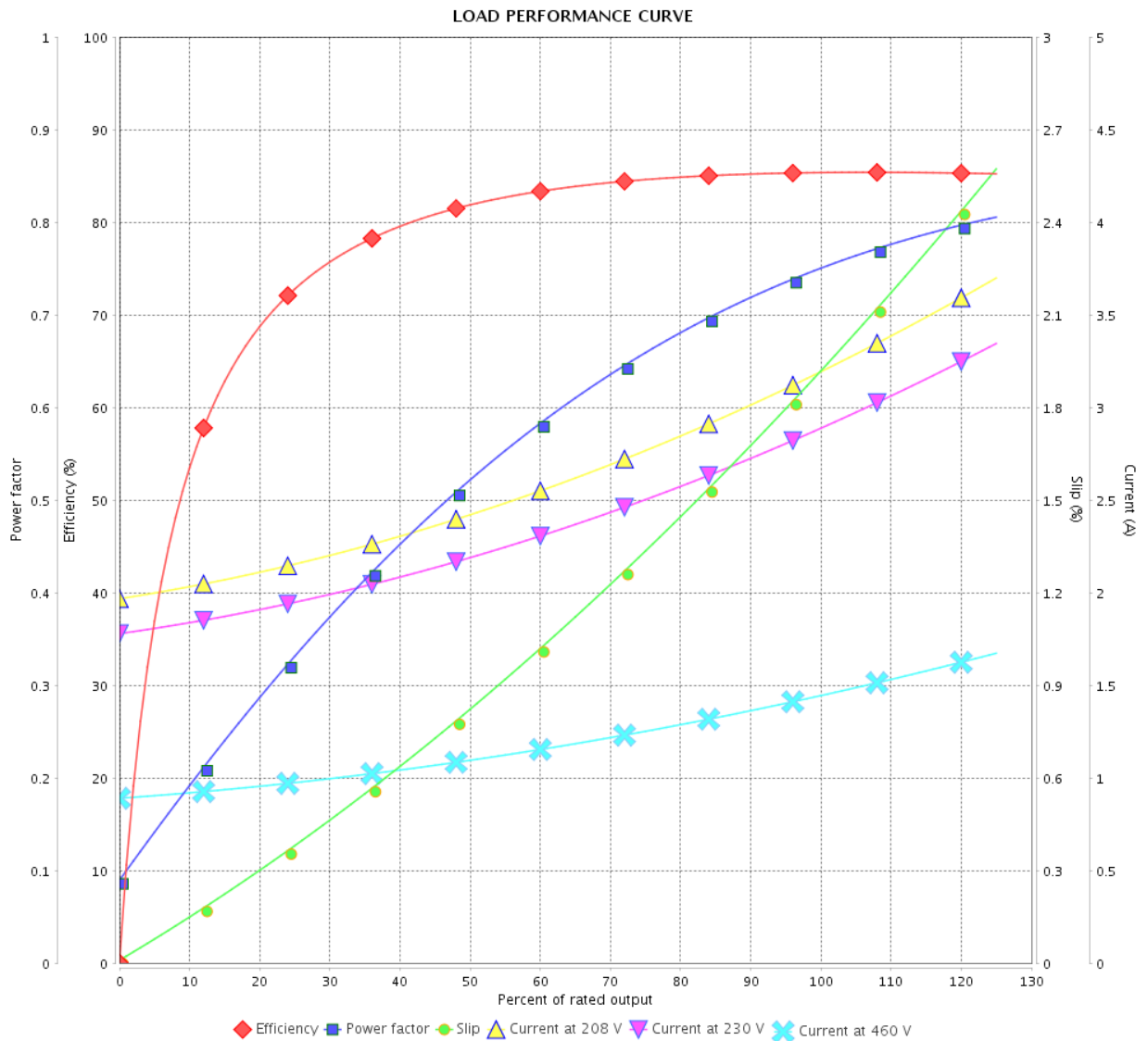


Customer :

Product line : NEMA Premium Efficiency Three-Phase

Product code : 14788518

Catalog # : 00118ET3ER143TC-S



Performance : 230/460 V 60 Hz 4P

Rated current : 2.94/1.47 A  
 LRC : 8.6  
 Rated torque : 2.98 ft.lb  
 Locked rotor torque : 280 %  
 Breakdown torque : 300 %  
 Rated speed : 1765 rpm

Moment of inertia (J) : 0.1232 sq.ft.lb  
 Duty cycle : Cont.(S1)  
 Insulation class : F  
 Service factor :  
 Temperature rise : 80 K  
 Design : B

Rev.	Changes Summary	Performed	Checked	Date
Performed by		Page		Revision
Checked by		5 / 16		
Date		14/04/2022		

# LOAD PERFORMANCE CURVE

Three Phase Induction Motor - Squirrel Cage



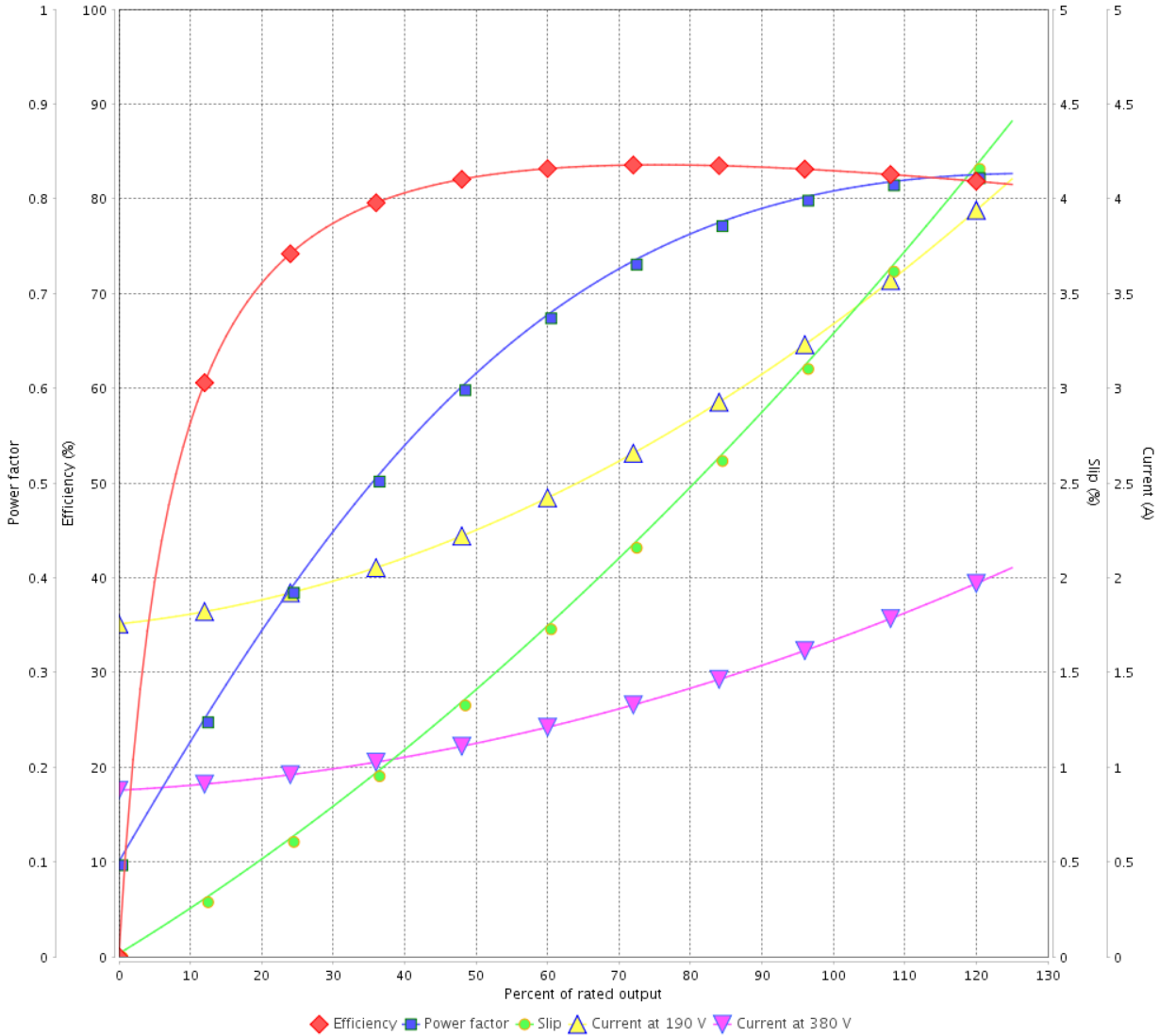
Customer :

Product line : NEMA Premium Efficiency Three-Phase

Product code : 14788518

Catalog # : 00118ET3ER143TC-S

LOAD PERFORMANCE CURVE



Performance : 190/380 V 50 Hz 4P

Rated current : 3.40/1.70 A  
 LRC : 6.5  
 Rated torque : 3.62 ft.lb  
 Locked rotor torque : 200 %  
 Breakdown torque : 270 %  
 Rated speed : 1450 rpm

Moment of inertia (J) : 0.1232 sq.ft.lb  
 Duty cycle : Cont.(S1)  
 Insulation class : F  
 Service factor : 1.15  
 Temperature rise : 80 K  
 Design : B

Rev.	Changes Summary	Performed	Checked	Date
Performed by		Page		Revision
Checked by		6 / 16		
Date	14/04/2022			

# LOAD PERFORMANCE CURVE

## Three Phase Induction Motor - Squirrel Cage

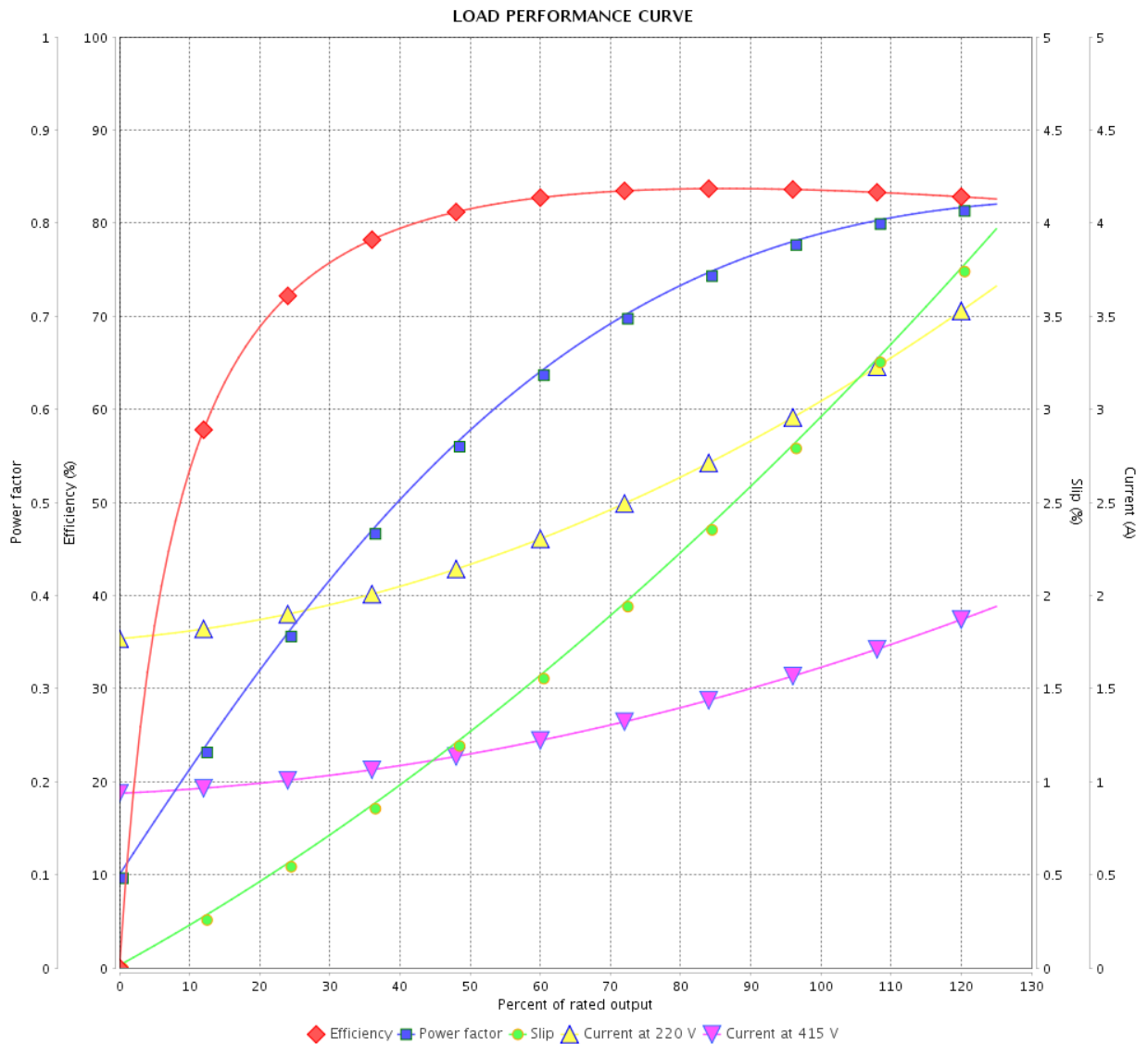


Customer : \_\_\_\_\_

Product line : NEMA Premium Efficiency Three-Phase

Product code : 14788518

Catalog # : 00118ET3ER143TC-S



Performance : 220/415 V 50 Hz 4P

Rated current : 3.09/1.64 A  
 LRC : 7.1  
 Rated torque : 3.61 ft.lb  
 Locked rotor torque : 220 %  
 Breakdown torque : 300 %  
 Rated speed : 1455 rpm

Moment of inertia (J) : 0.1232 sq.ft.lb  
 Duty cycle : Cont.(S1)  
 Insulation class : F  
 Service factor : 1.15  
 Temperature rise : 80 K  
 Design : B

Rev.	Changes Summary	Performed	Checked	Date
Performed by		Page		Revision
Checked by		7 / 16		
Date		14/04/2022		

# THERMAL LIMIT CURVE



## Three Phase Induction Motor - Squirrel Cage

Customer :

Product line : NEMA Premium Efficiency Three-Phase  
Product code : 14788518  
Catalog # : 00118ET3ER143TC-S

Performance : 230/460 V 60 Hz 4P

Rated current	: 2.94/1.47 A	Moment of inertia (J)	: 0.1232 sq.ft.lb
LRC	: 8.6	Duty cycle	: Cont.(S1)
Rated torque	: 2.98 ft.lb	Insulation class	: F
Locked rotor torque	: 280 %	Service factor	:
Breakdown torque	: 300 %	Temperature rise	: 80 K
Rated speed	: 1765 rpm	Design	: B

Heating constant

Cooling constant

Rev.	Changes Summary	Performed	Checked	Date
Performed by				
Checked by			Page	Revision
Date	14/04/2022		8 / 16	

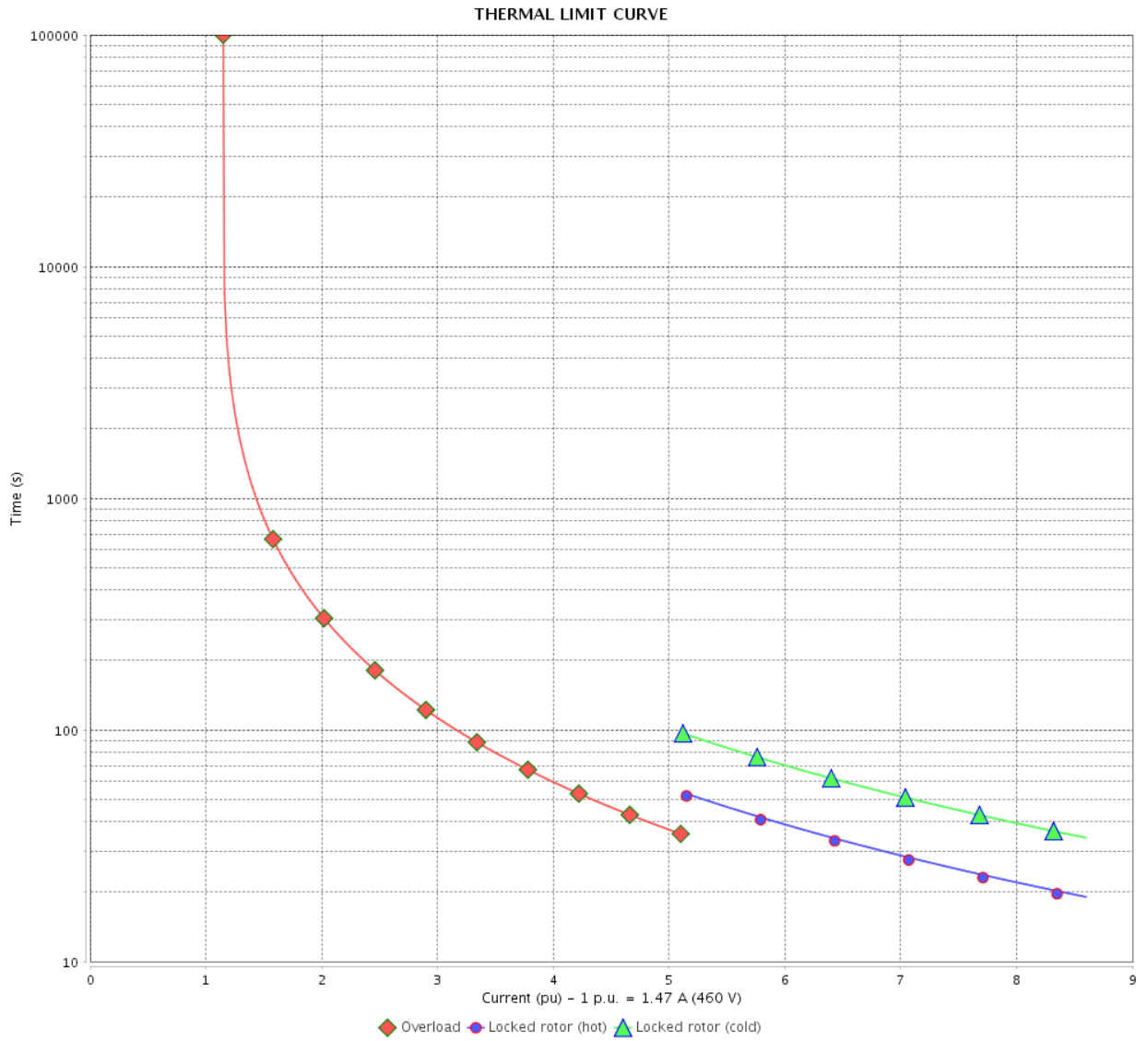


# THERMAL LIMIT CURVE

Three Phase Induction Motor - Squirrel Cage



Customer : \_\_\_\_\_



Rev.	Changes Summary	Performed	Checked	Date
Performed by		Page 9 / 16		Revision
Checked by				
Date				

# THERMAL LIMIT CURVE



## Three Phase Induction Motor - Squirrel Cage

Customer :

Product line : NEMA Premium Efficiency Three-Phase  
Product code : 14788518  
Catalog # : 00118ET3ER143TC-S

Performance : 190/380 V 50 Hz 4P

Rated current	: 3.40/1.70 A	Moment of inertia (J)	: 0.1232 sq.ft.lb
LRC	: 6.5	Duty cycle	: Cont.(S1)
Rated torque	: 3.62 ft.lb	Insulation class	: F
Locked rotor torque	: 200 %	Service factor	: 1.15
Breakdown torque	: 270 %	Temperature rise	: 80 K
Rated speed	: 1450 rpm	Design	: B

Heating constant

Cooling constant

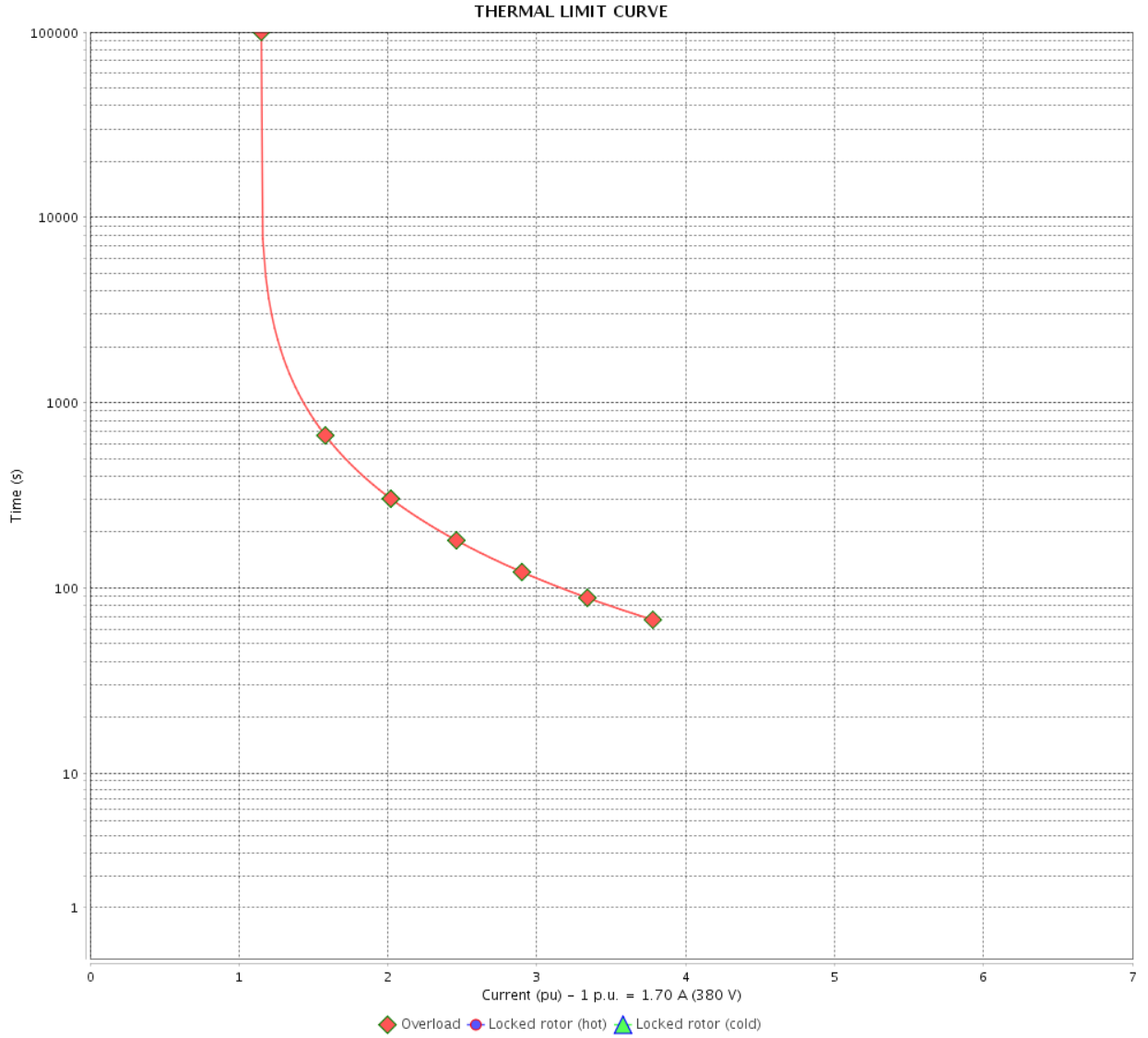
Rev.	Changes Summary	Performed	Checked	Date
Performed by				
Checked by			Page	Revision
Date	14/04/2022		10 / 16	

# THERMAL LIMIT CURVE

Three Phase Induction Motor - Squirrel Cage



Customer : \_\_\_\_\_



Rev.	Changes Summary	Performed	Checked	Date
Performed by		Page		Revision
Checked by		11 / 16		
Date		14/04/2022		

# THERMAL LIMIT CURVE



## Three Phase Induction Motor - Squirrel Cage

Customer :

Product line : NEMA Premium Efficiency Three-Phase  
 Product code : 14788518  
 Catalog # : 00118ET3ER143TC-S

Performance : 220/415 V 50 Hz 4P

Rated current : 3.09/1.64 A	Moment of inertia (J) : 0.1232 sq.ft.lb
LRC : 7.1	Duty cycle : Cont.(S1)
Rated torque : 3.61 ft.lb	Insulation class : F
Locked rotor torque : 220 %	Service factor : 1.15
Breakdown torque : 300 %	Temperature rise : 80 K
Rated speed : 1455 rpm	Design : B

Heating constant

Cooling constant

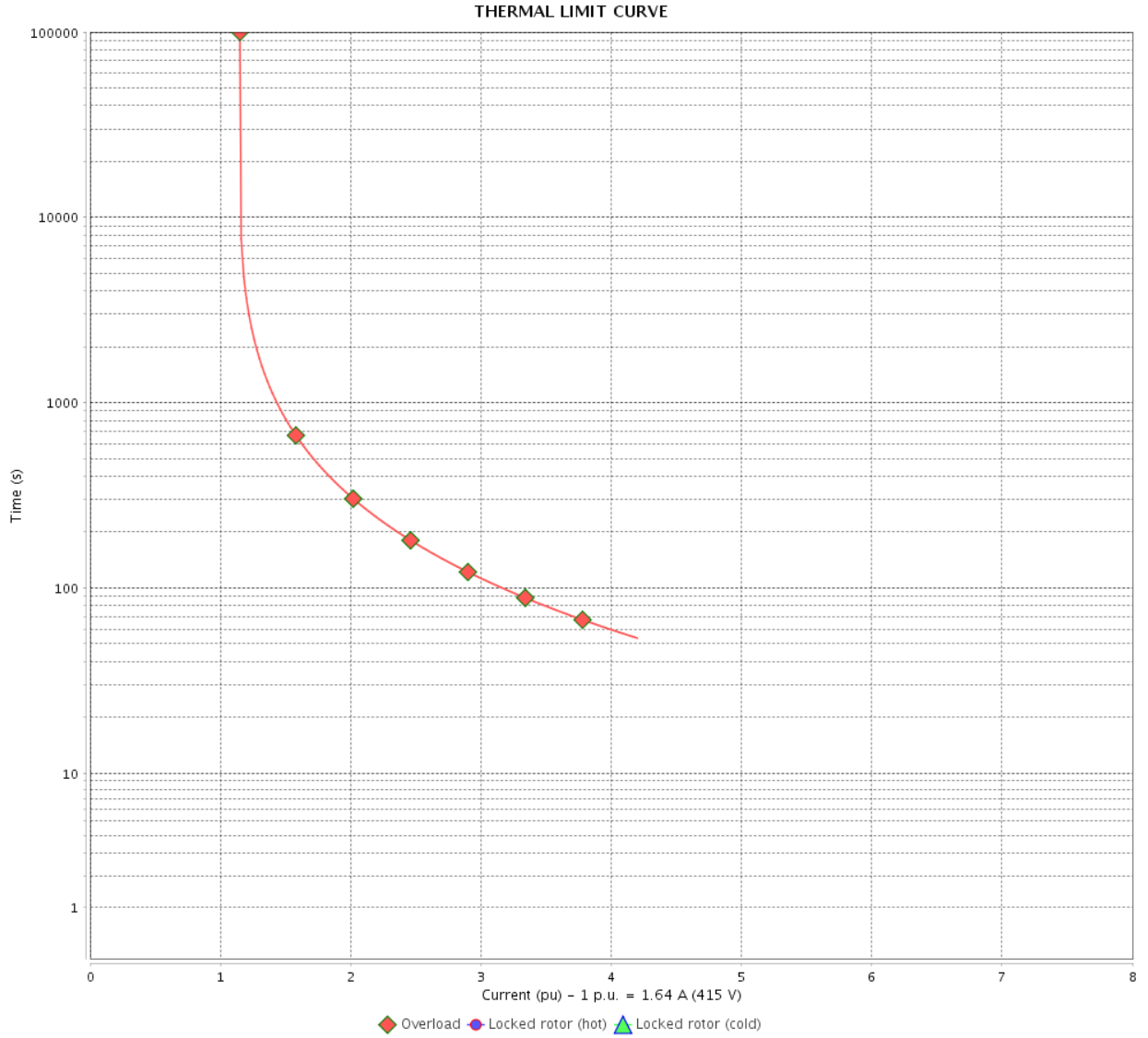
Rev.	Changes Summary	Performed	Checked	Date
Performed by			Page 12 / 16	Revision
Checked by				
Date	14/04/2022			

# THERMAL LIMIT CURVE

Three Phase Induction Motor - Squirrel Cage



Customer : \_\_\_\_\_



Rev.	Changes Summary	Performed	Checked	Date
Performed by		Page 13 / 16		Revision
Checked by				
Date				

# VFD OPERATION CURVE

Three Phase Induction Motor - Squirrel Cage



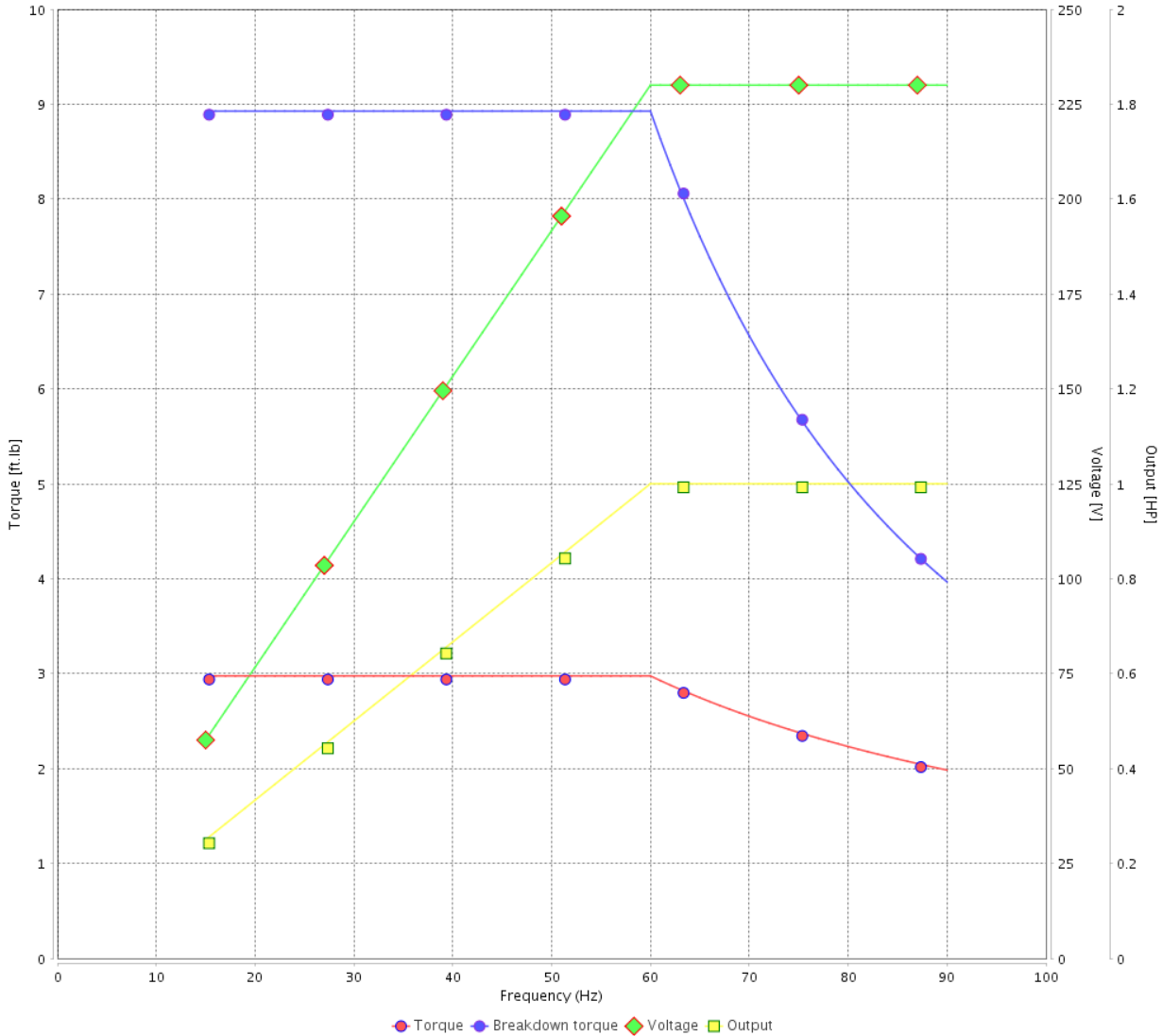
Customer : \_\_\_\_\_

Product line : NEMA Premium Efficiency Three-Phase

Product code : 14788518

Catalog # : 00118ET3ER143TC-S

VFD OPERATION CURVE



Performance : 230/460 V 60 Hz 4P

Rated current : 2.94/1.47 A  
 LRC : 8.6  
 Rated torque : 2.98 ft.lb  
 Locked rotor torque : 280 %  
 Breakdown torque : 300 %  
 Rated speed : 1765 rpm

Moment of inertia (J) : 0.1232 sq.ft.lb  
 Duty cycle : Cont.(S1)  
 Insulation class : F  
 Service factor :  
 Temperature rise : 80 K  
 Design : B

Rev.	Changes Summary	Performed	Checked	Date
Performed by			Page	Revision
Checked by				
Date				

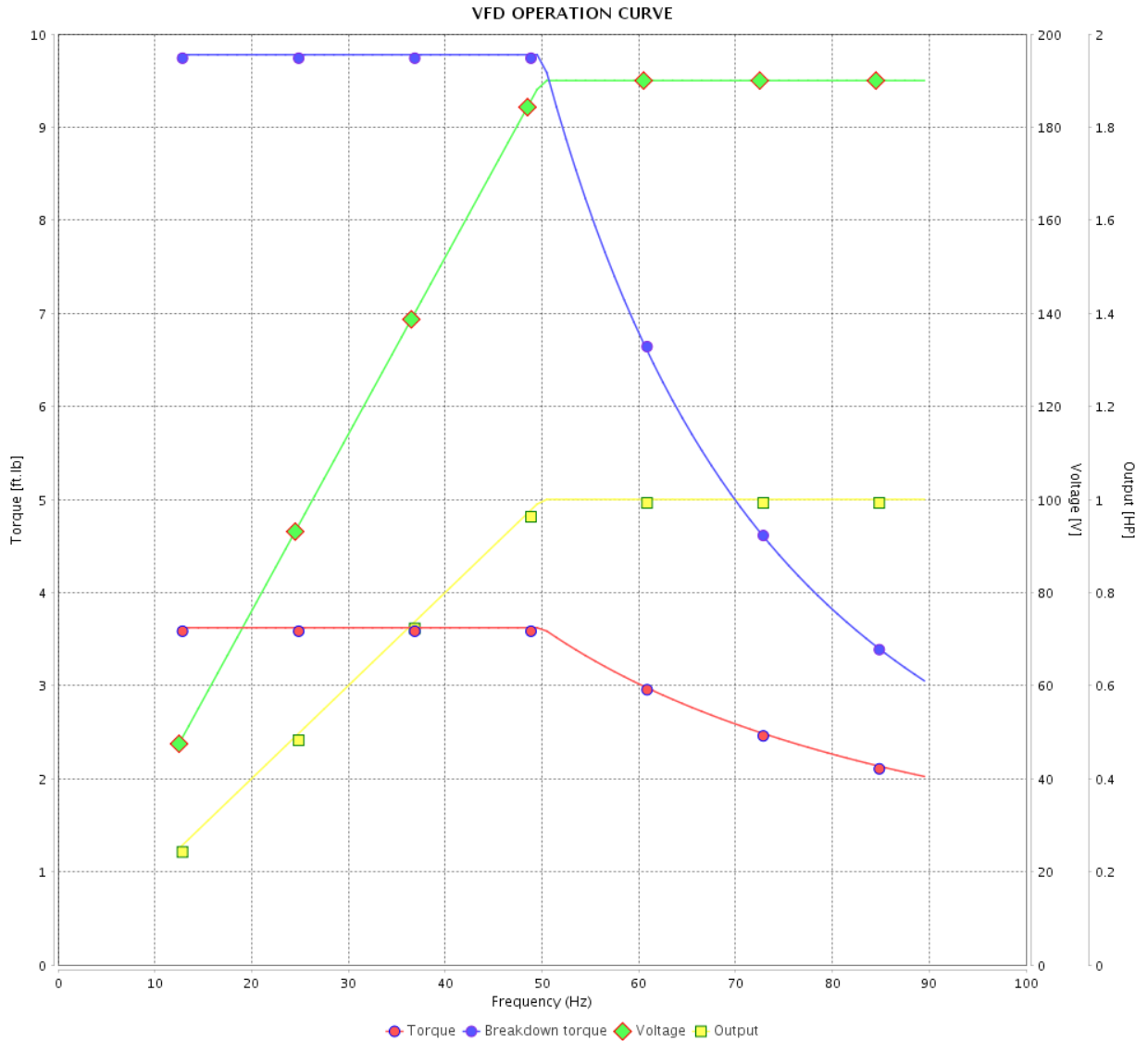
# VFD OPERATION CURVE

## Three Phase Induction Motor - Squirrel Cage



Customer :

Product line : NEMA Premium Efficiency Three-Phase  
 Product code : 14788518  
 Catalog # : 00118ET3ER143TC-S



Performance : 190/380 V 50 Hz 4P

Rated current : 3.40/1.70 A  
 LRC : 6.5  
 Rated torque : 3.62 ft.lb  
 Locked rotor torque : 200 %  
 Breakdown torque : 270 %  
 Rated speed : 1450 rpm

Moment of inertia (J) : 0.1232 sq.ft.lb  
 Duty cycle : Cont.(S1)  
 Insulation class : F  
 Service factor : 1.15  
 Temperature rise : 80 K  
 Design : B

Rev.	Changes Summary	Performed	Checked	Date
Performed by		Page		Revision
Checked by		15 / 16		
Date		14/04/2022		

# VFD OPERATION CURVE

Three Phase Induction Motor - Squirrel Cage



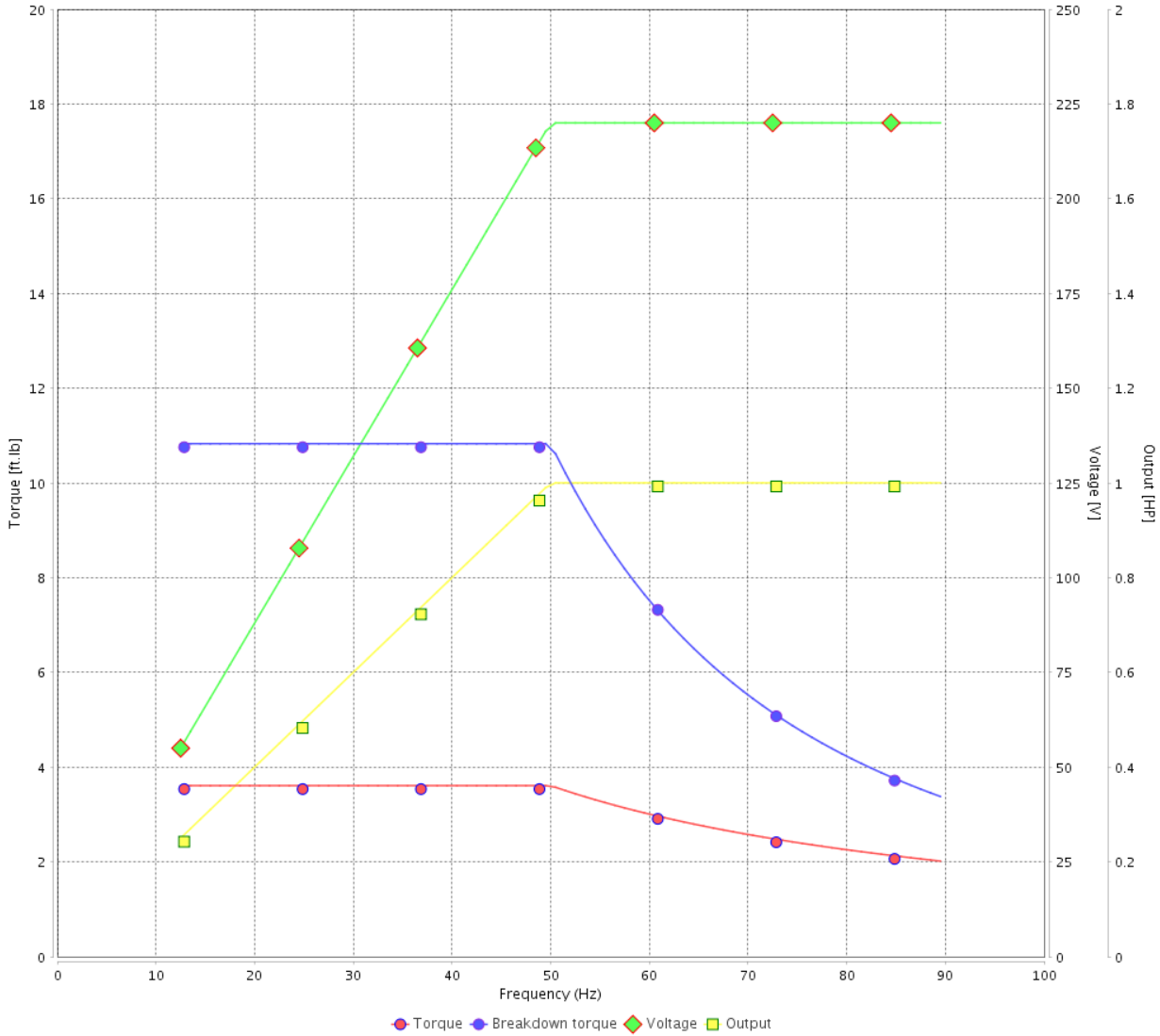
Customer :

Product line : NEMA Premium Efficiency Three-Phase

Product code : 14788518

Catalog # : 00118ET3ER143TC-S

VFD OPERATION CURVE



Performance : 220/415 V 50 Hz 4P

Rated current : 3.09/1.64 A  
 LRC : 7.1  
 Rated torque : 3.61 ft.lb  
 Locked rotor torque : 220 %  
 Breakdown torque : 300 %  
 Rated speed : 1455 rpm

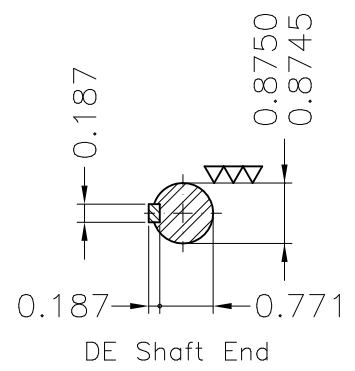
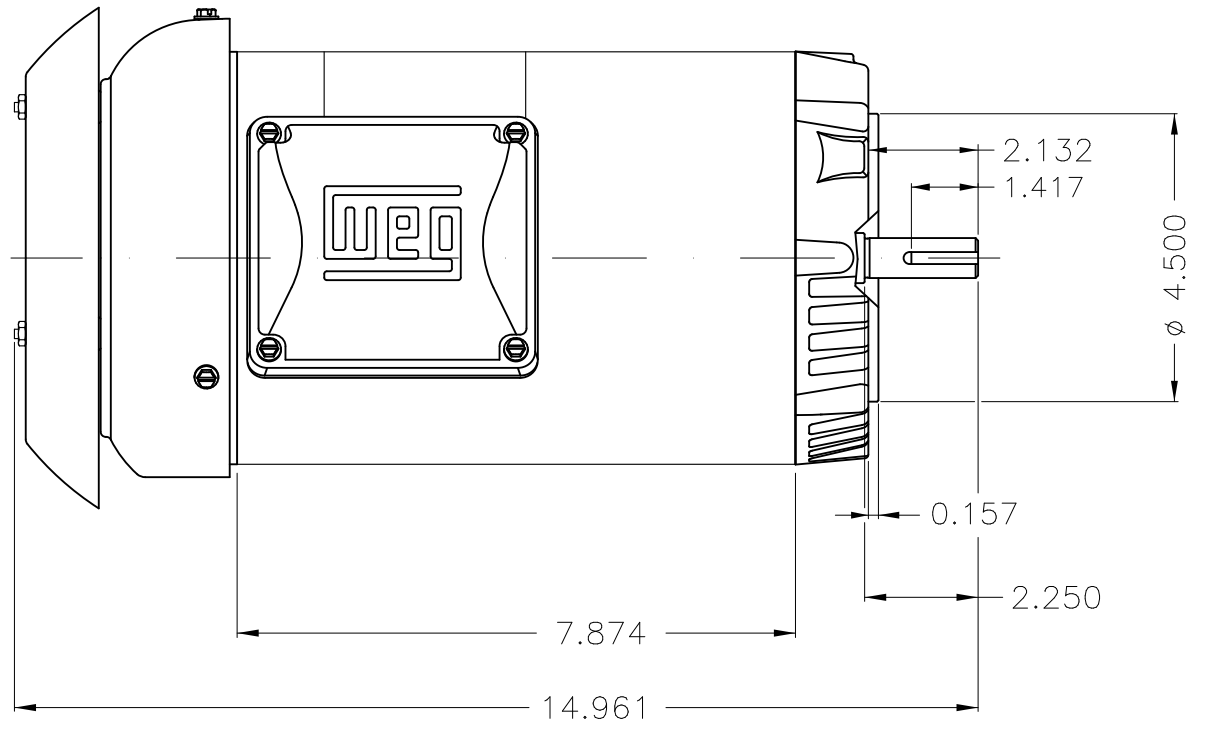
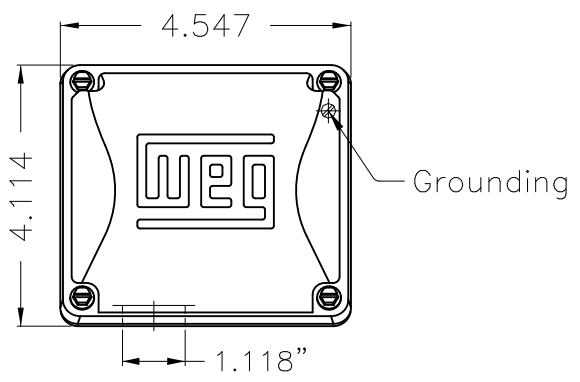
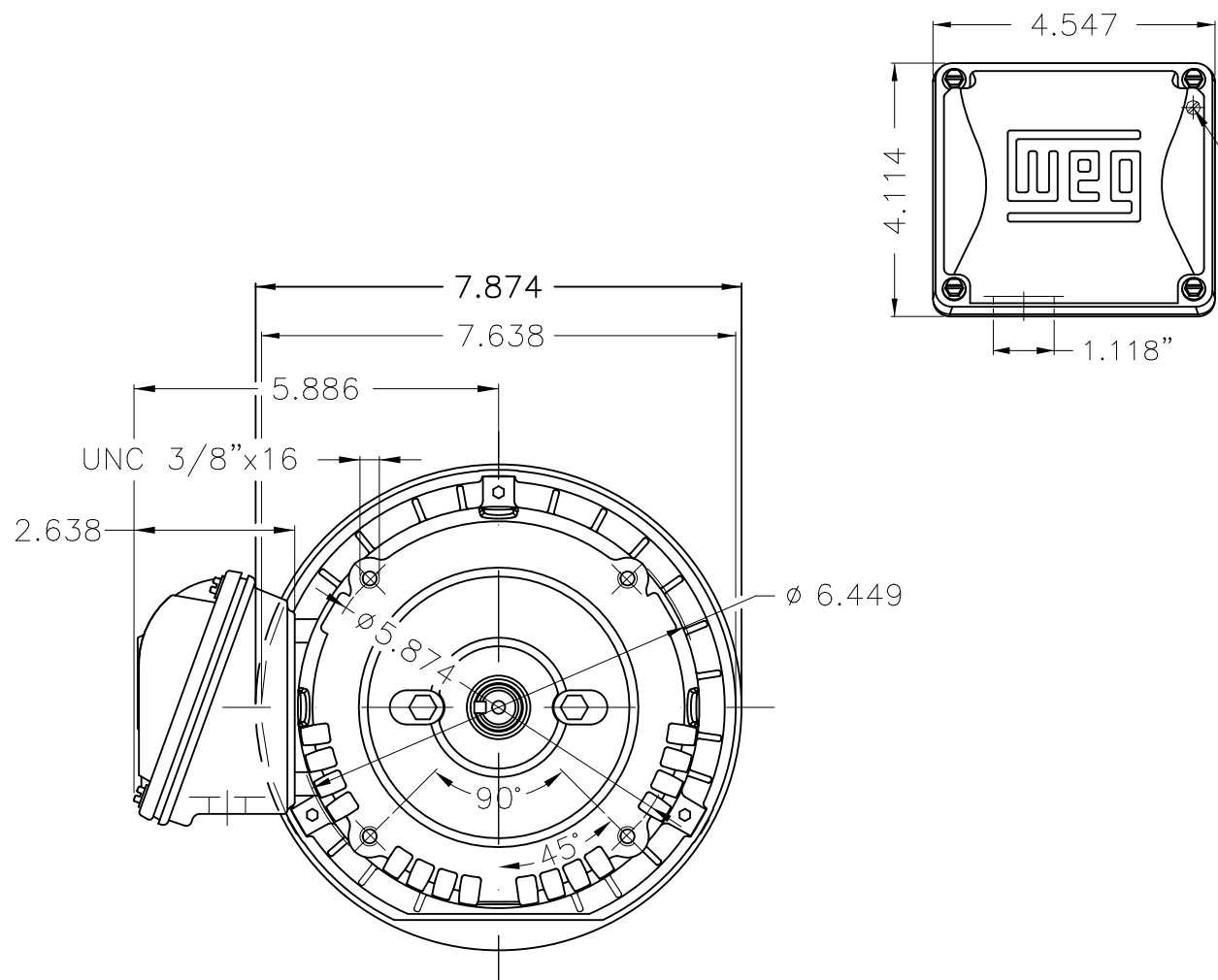
Moment of inertia (J) : 0.1232 sq.ft.lb  
 Duty cycle : Cont.(S1)  
 Insulation class : F  
 Service factor : 1.15  
 Temperature rise : 80 K  
 Design : B

Rev.	Changes Summary	Performed	Checked	Date
Performed by			Page	Revision
Checked by				
Date				

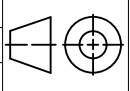


1 2 3 4 5 6

A  
B  
C  
D  
E



Fan cover - steel plate  
 Color Munsell N 1 matte black  
 Painting plan 207N  
 Mounting W-6/V18R(D)

ECM	LOC	SUMMARY OF MODIFICATIONS	EXECUTED	CHECKED	RELEASED	DATE	VER
EXECUTED	PIRWBUSER	 THREE PH. MOTOR ROLLED STEEL PREM. EFF. FRAME 143/5TC IP55 TEFC					
CHECKED							
RELEASED							
REL DT.	WMO	Jaragua do Sul	Product Engineering	SHEET	1 / 1		

1 HP 04 Poles 60 Hz

PREVIEW  
WDD



Dimensions in inches XME A3



**NEMA**  
**Premium**



MADE IN MEXICO

**MAT: 14788518 CC029A**

**W01.TE0IC0X0N**

**MODEL 00118ET3ER143TC-S**

**18MAR2022 B/N:**

**For 60Hz: Class I, Zone 2, IIC  
Class I, Div.2, Gr. A,B,C,D - T3  
Div 2 Inverter Duty (SF1.00)**

**CT 2:1/VT 1000:1**

<b>PH 3</b>	<b>Hz 60</b>	<b>HP 1.0</b>
<b>FR 143/5TC</b>		<b>KW 0.75</b>
<b>DUTY CONT.</b>		<b>V 230/460</b>
<b>ALT 1000 m.a.s.l.</b>		<b>A 2.94/1.47</b>
<b>INS CL F AT 80K</b>	<b>IP55</b>	<b>SFA 3.38/1.69</b>
<b>AMB 40°C</b>	<b>DES B</b>	<b>SF 1.15</b>
<b>ENCL TEFC</b>	<b>CODE M</b>	<b>PF 0.75</b>
<b>USABLE @ 208V 3.25A SF1.00</b>		<b>RPM 1765</b>
		<b>NEMA NOM. EFF 85.5%</b>

<b>ALTERNATE RATING: 1.0HP 50Hz 190-220/380-415V SF1.15</b>
<b>3.40-3.06/1.70-1.62A 1450RPM EFF 82.9% (IE3) IEC 60034-1</b>

For safe area-inverter duty motor For 60Hz use on VPWM 1000:1 VT, 4:1 CT

<b>DE 6205-ZZ</b>	<b>ODE 6203-ZZ</b>	<b>MOBIL POLYREX EM</b>
-------------------	--------------------	-------------------------



T1-BLU T2-WHT  
T3-ORG T4-YEL  
T5-BLK T6-GRY  
T7-PNK T8-RED  
T9-BRK RED

INTERCHANGE ANY TWO LINE WIRES TO REVERSE THE ROTATION

**WARNING:** Motor must be grounded in accordance with local and national electrical codes to prevent serious electrical shocks. Disconnect power source before servicing unit.



**AVERTISSEMENT:** Le moteur doit être mis à la terre conformément aux codes électriques locaux et nationaux afin d'éviter tout choc électrique grave. Déconnectez l'alimentation avant l'entretien de la machine.

