

TORQUE AND CURRENT VS SPEED CURVE

Three Phase Induction Motor - Squirrel Cage

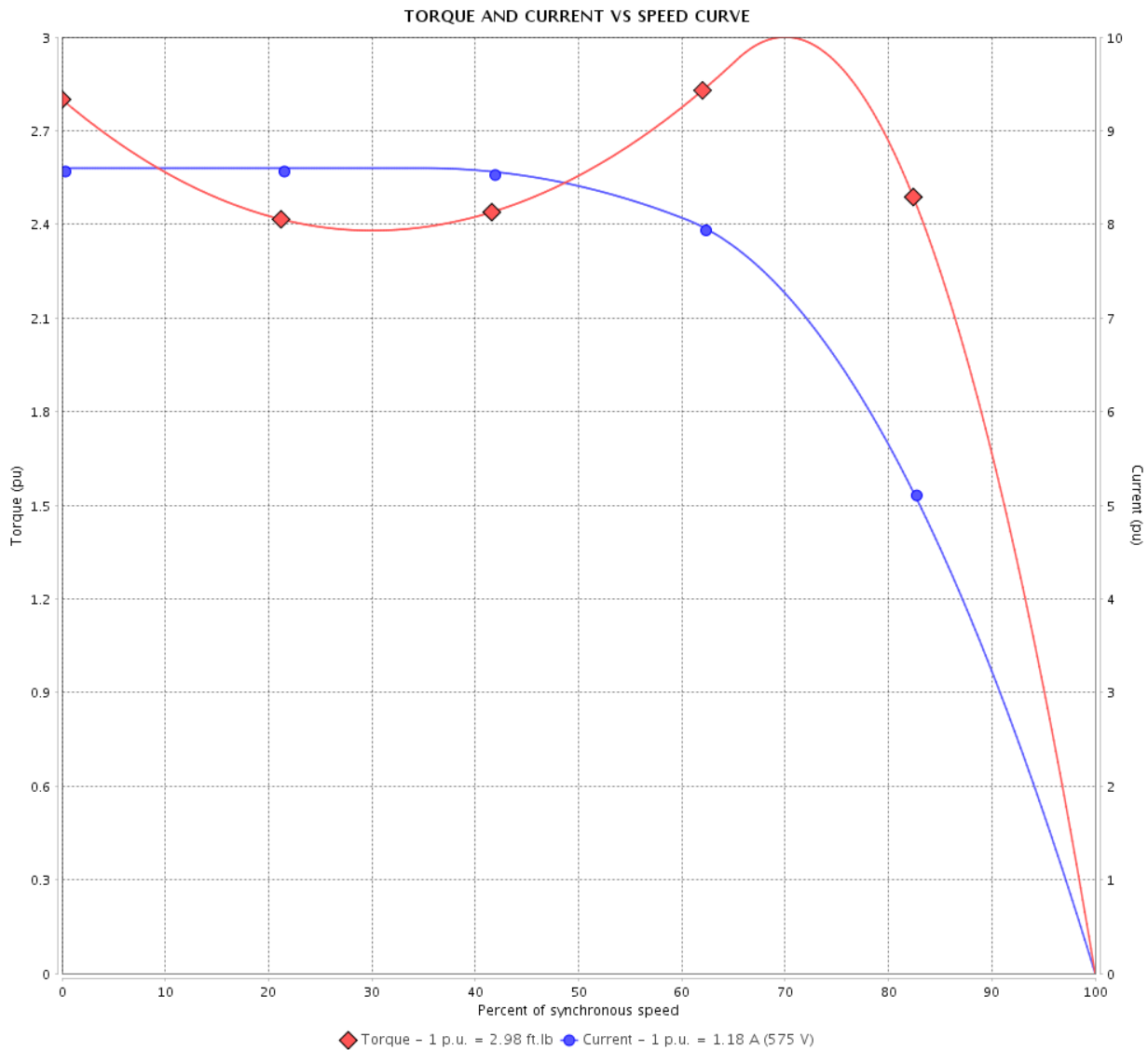


Customer :

Product line : JM Pump NEMA Premium Efficiency Three-Phase

Product code : 14218356

Catalog # : 00118ET3H143JM-SG



Performance : 575 V 60 Hz 4P

Rated current	: 1.18 A	Moment of inertia (J)	: 0.1232 sq.ft.lb
LRC	: 8.6	Duty cycle	: Cont.(S1)
Rated torque	: 2.98 ft.lb	Insulation class	: F
Locked rotor torque	: 280 %	Service factor	: 1.15
Breakdown torque	: 300 %	Temperature rise	: 80 K
Rated speed	: 1765 rpm	Design	: B

Locked rotor time : 34s (cold) 19s (hot)

Rev.	Changes Summary	Performed	Checked	Date
Performed by			Page 2 / 6	Revision
Checked by				
Date	14/04/2022			

LOAD PERFORMANCE CURVE

Three Phase Induction Motor - Squirrel Cage

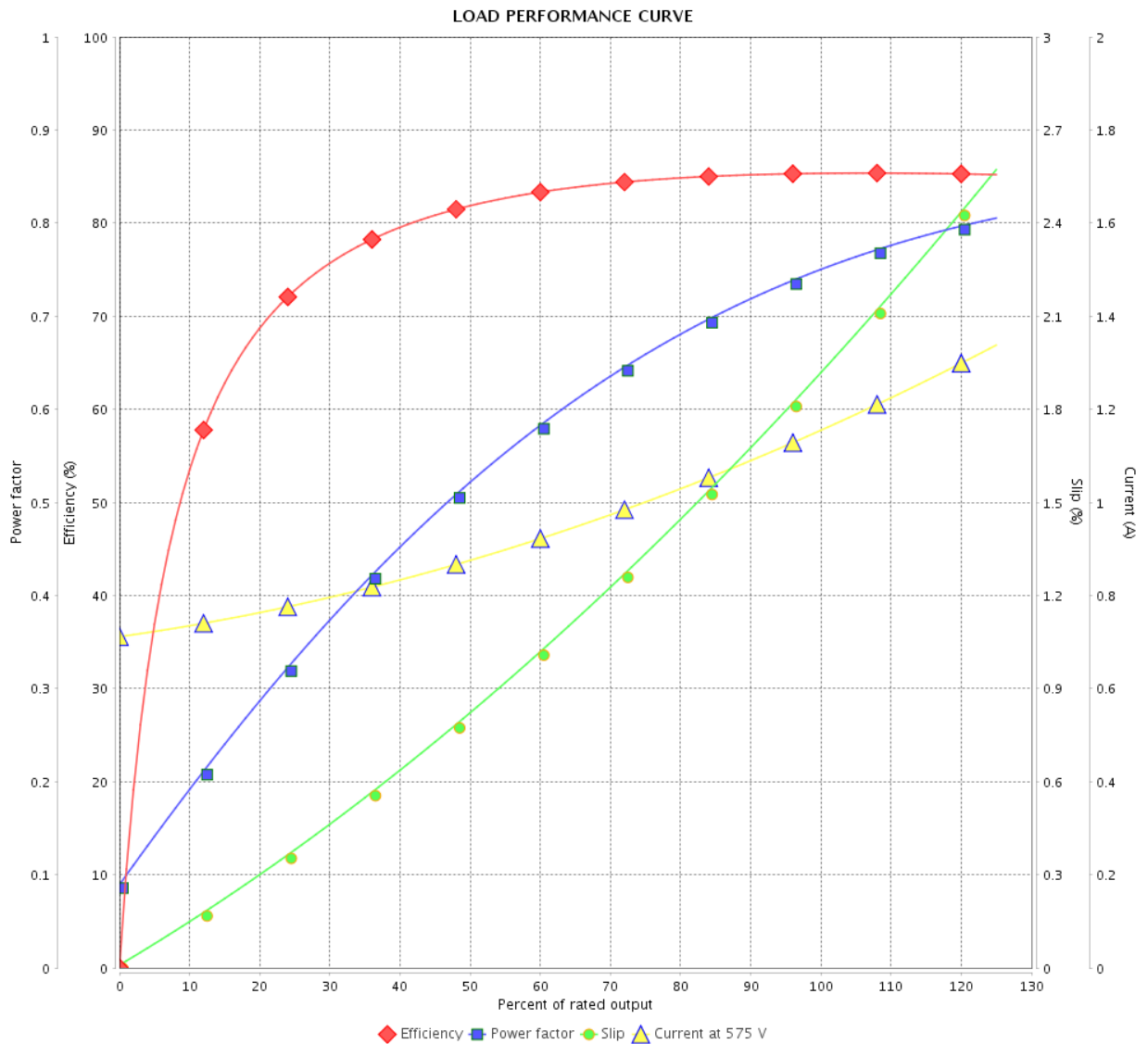


Customer :

Product line : JM Pump NEMA Premium Efficiency Three-Phase

Product code : 14218356

Catalog # : 00118ET3H143JM-SG



Performance : 575 V 60 Hz 4P

Rated current : 1.18 A
 LRC : 8.6
 Rated torque : 2.98 ft.lb
 Locked rotor torque : 280 %
 Breakdown torque : 300 %
 Rated speed : 1765 rpm

Moment of inertia (J) : 0.1232 sq.ft.lb
 Duty cycle : Cont.(S1)
 Insulation class : F
 Service factor : 1.15
 Temperature rise : 80 K
 Design : B

Rev.	Changes Summary	Performed	Checked	Date
Performed by			Page	Revision
Checked by				
Date				
			3 / 6	

THERMAL LIMIT CURVE



Three Phase Induction Motor - Squirrel Cage

Customer :

Product line : JM Pump NEMA Premium
Efficiency Three-Phase

Product code : 14218356

Catalog # : 00118ET3H143JM-SG

Performance : 575 V 60 Hz 4P

Rated current : 1.18 A
LRC : 8.6
Rated torque : 2.98 ft.lb
Locked rotor torque : 280 %
Breakdown torque : 300 %
Rated speed : 1765 rpm

Moment of inertia (J) : 0.1232 sq.ft.lb
Duty cycle : Cont.(S1)
Insulation class : F
Service factor : 1.15
Temperature rise : 80 K
Design : B

Heating constant

Cooling constant

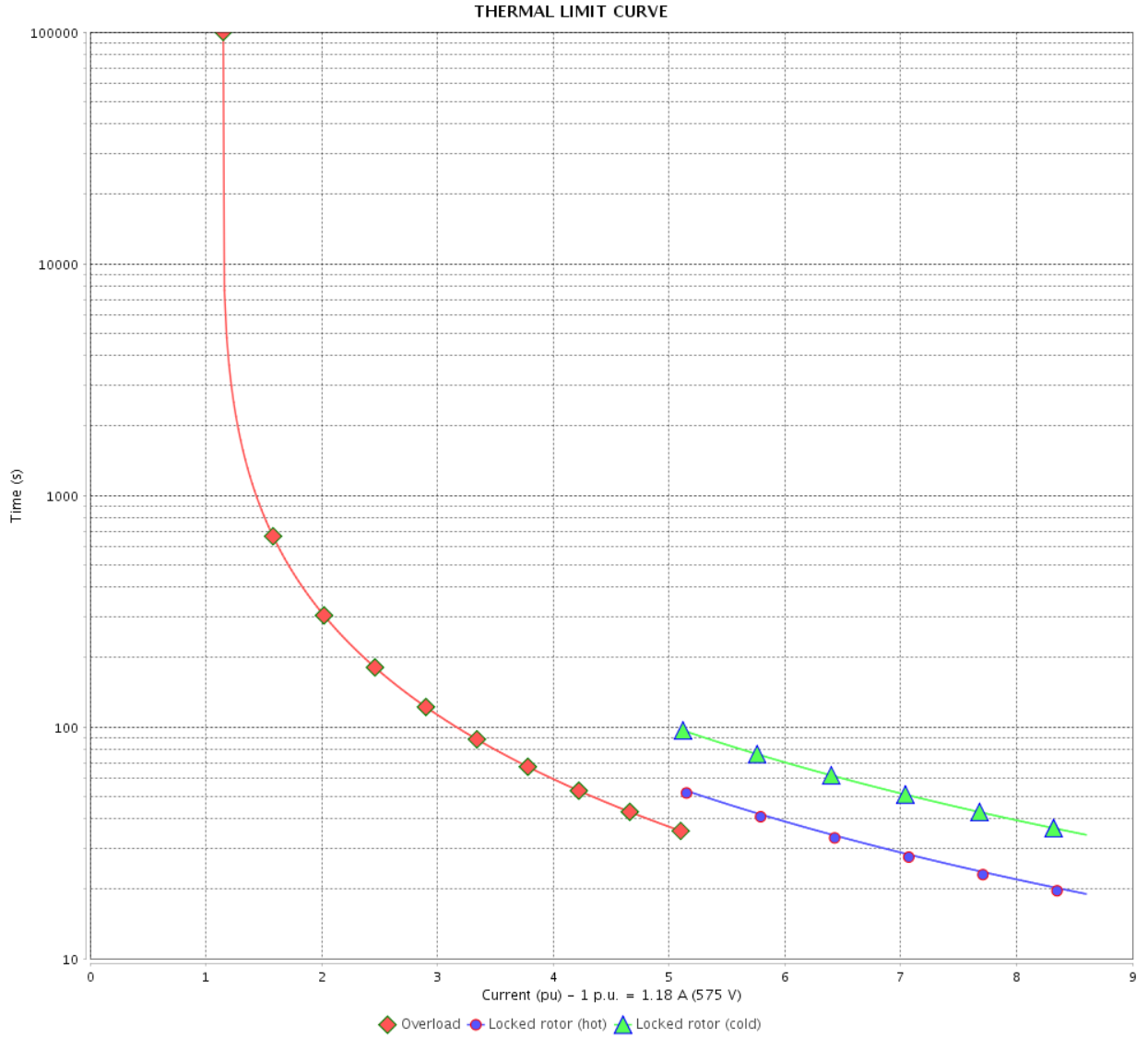
Rev.	Changes Summary	Performed	Checked	Date
Performed by				
Checked by			Page	Revision
Date	14/04/2022		4 / 6	

THERMAL LIMIT CURVE

Three Phase Induction Motor - Squirrel Cage



Customer : _____



Rev.	Changes Summary	Performed	Checked	Date
Performed by		Page		Revision
Checked by		5 / 6		
Date		14/04/2022		

VFD OPERATION CURVE

Three Phase Induction Motor - Squirrel Cage



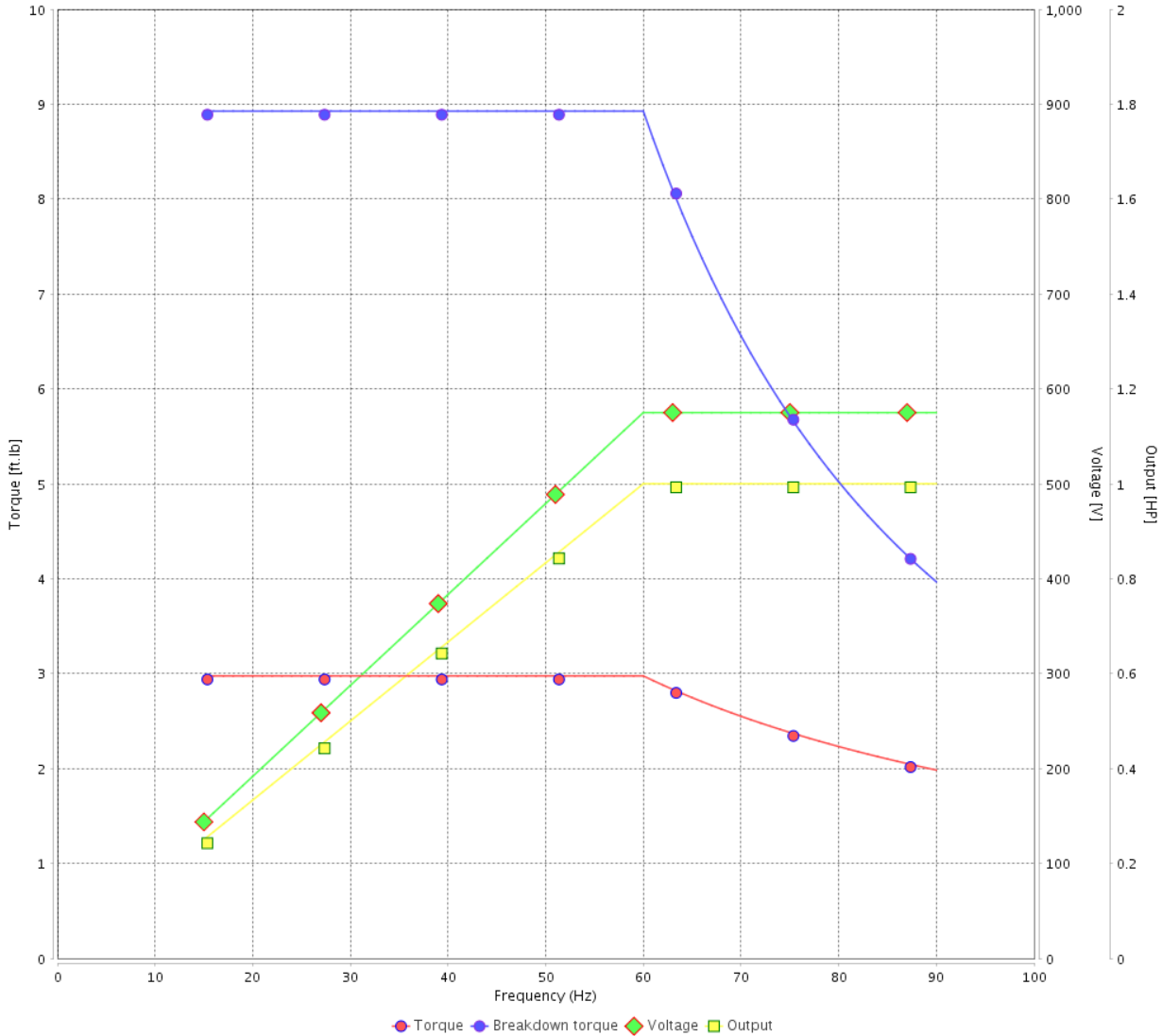
Customer :

Product line : JM Pump NEMA Premium Efficiency Three-Phase

Product code : 14218356

Catalog # : 00118ET3H143JM-SG

VFD OPERATION CURVE



Performance : 575 V 60 Hz 4P

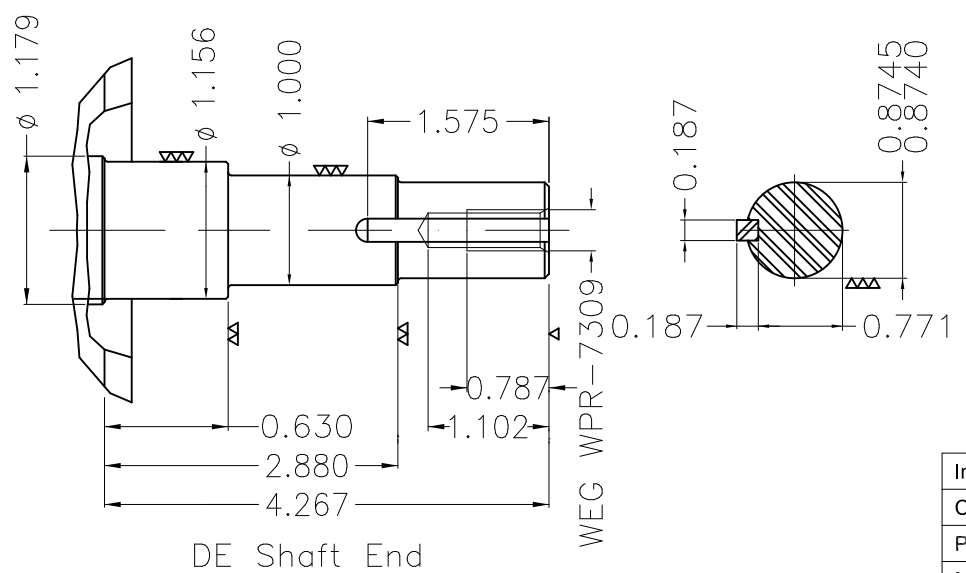
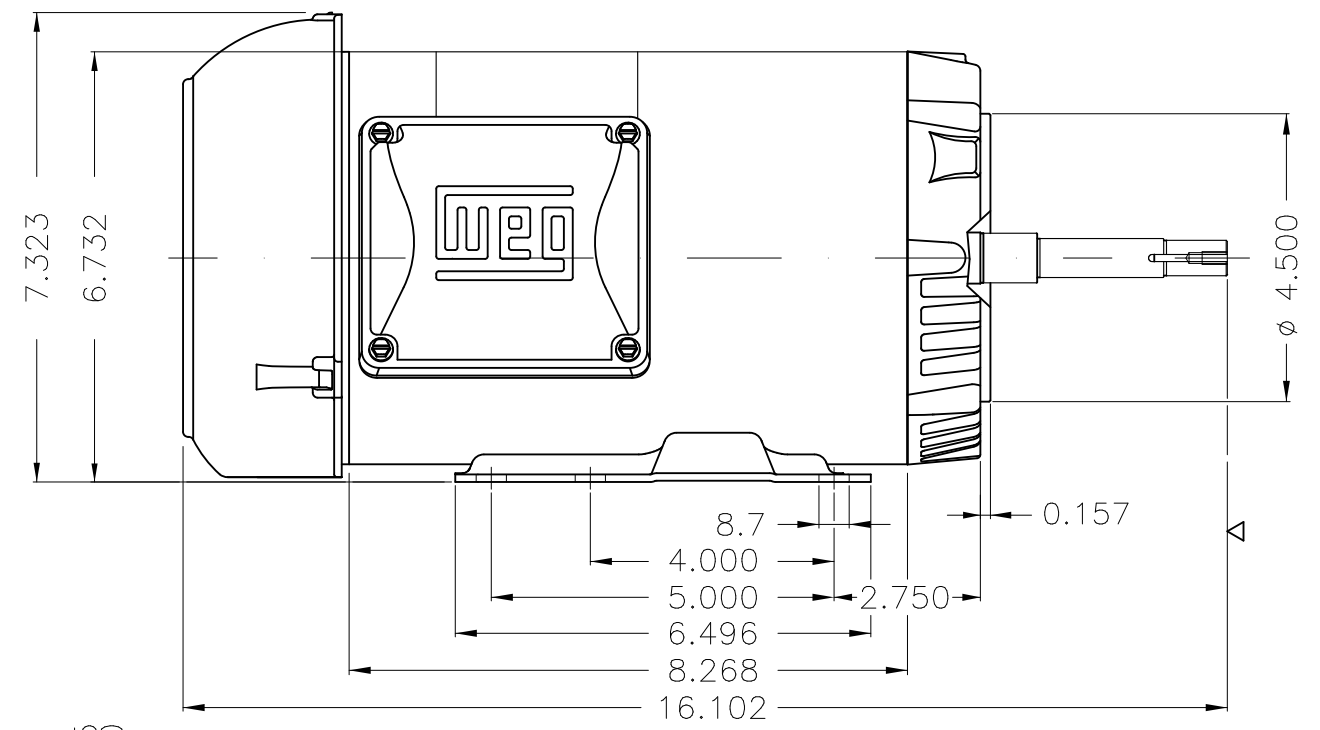
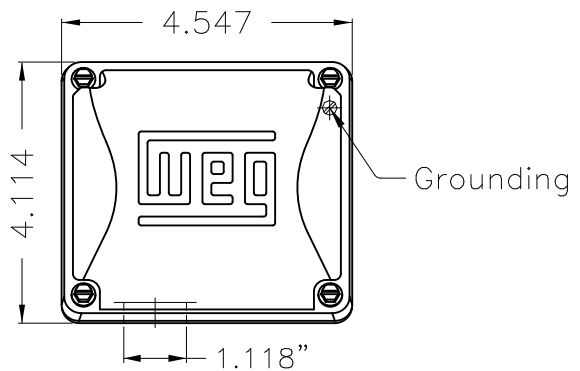
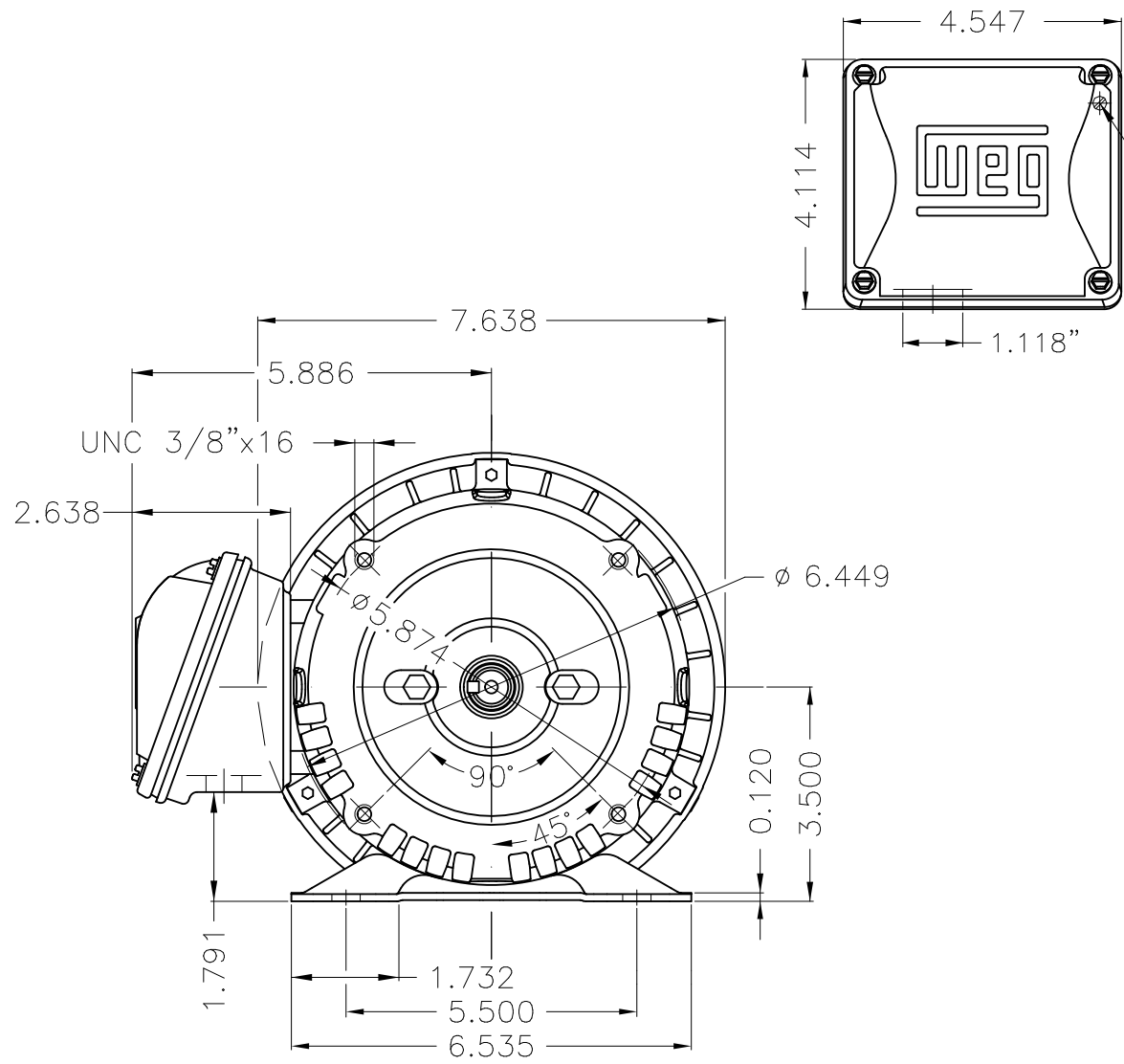
Rated current : 1.18 A
 LRC : 8.6
 Rated torque : 2.98 ft.lb
 Locked rotor torque : 280 %
 Breakdown torque : 300 %
 Rated speed : 1765 rpm

Moment of inertia (J) : 0.1232 sq.ft.lb
 Duty cycle : Cont.(S1)
 Insulation class : F
 Service factor : 1.15
 Temperature rise : 80 K
 Design : B

Rev.	Changes Summary	Performed	Checked	Date
Performed by			Page 6 / 6	Revision
Checked by				
Date	14/04/2022			

1 2 3 4 5 6

A
B
C
D
E



EUNC 3/8"-16 WEG WPR-7309

DE Shaft End

Internal AEGIS ground ring on the DE
 Color Munsell N 1 matte black
 Painting plan 207N
 Mounting F-1/B34R(D)

ECM	LOC	SUMMARY OF MODIFICATIONS	EXECUTED	CHECKED	RELEASED	DATE	VER
EXECUTED	PIRWBUSER	THREE PH. MOTOR ROLLED STEEL CLOSE COUPLED PUMP JN TYPE PSEI 575					
CHECKED		FRAME 143/5JM IP55 TEFC					
RELEASED							
REL DT.	WMO	Jaragua do Sul	Product Engineering	WDD	SHEET	1 / 1	

1 HP 04 Poles 60 Hz



**NEMA**
Premium

MADE IN MEXICO

MAT: 14218356 CC029A

W01.TE0IC0X0N

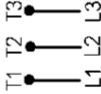
JM000504NPW01GR

10FEB2022 B/N:

PH 3	Hz 60	HP 1.0
FR 143/5JM		KW 0.75
DUTY CONT.		V 575
ALT 1000 m.a.s.l.		A 1.18
INS CL F AT 80K	IP55	SFA 1.36
AMB 40°C	DES B	SF 1.15
ENCL TEFC	CODE M	PF 0.75
		RPM 1765
		NEMA NOM. EFF 85.5%

Inverter duty motor For use on VPWM 1000:1 VT, 4:1 CT

DE 6206-ZZ	ODE 6203-ZZ	MOBIL POLYREX EM
------------	-------------	------------------



T1-BLU

T2-WHT

T3-ORG

**INTERCHANGE ANY TWO LINE WIRES TO REVERSE THE ROTATION****WARNING:** Motor must be grounded in accordance with local and national electrical codes to prevent serious electrical shocks. Disconnect power source before servicing unit.**AVERTISSEMENT:** Le moteur doit être mis à la terre

conformément aux codes électriques locaux et nationaux afin d'éviter tout choc électrique grave. Déconnectez l'alimentation avant l'entretien de la machine.

