

DATA SHEET

Three Phase Induction Motor - Squirrel Cage



Customer :																
Product line	: Premium Efficiency Three-Phase															
Product code :	14786560															
Catalog # :	00118ET3H56CFL-S															
Frame : 56C Output : 1 HP (0.75 kW) Poles : 4 Frequency : 60 Hz Rated voltage : 575 V Rated current : 1.18 A L. R. Amperes : 10.1 A LRC : 8.6x(Code M) No load current : 0.712 A Rated speed : 1765 rpm Slip : 1.94 % Rated torque : 2.98 ft.lb Locked rotor torque : 280 % Breakdown torque : 300 % Insulation class : F Service factor : 1.15 Moment of inertia (J) : 0.1232 sq.ft.lb Design : B	Locked rotor time : 34s (cold) 19s (hot) Temperature rise : 80 K Duty cycle : Cont.(S1) Ambient temperature : -20°C to +40°C Altitude : 1000 m.a.s.l. Protection degree : IP55 Cooling method : IC411 - TEFC Mounting : F-1 Rotation ¹ : Both (CW and CCW) Noise level ² : 52.0 dB(A) Starting method : Direct On Line Approx. weight ³ : 36.5 lb															
<table border="1" style="width:100%; border-collapse: collapse;"> <tr> <td>Output</td> <td>25%</td> <td>50%</td> <td>75%</td> <td>100%</td> </tr> <tr> <td>Efficiency (%)</td> <td>81.0</td> <td>82.5</td> <td>84.0</td> <td>85.5</td> </tr> <tr> <td>Power Factor</td> <td>0.30</td> <td>0.52</td> <td>0.66</td> <td>0.75</td> </tr> </table>	Output	25%	50%	75%	100%	Efficiency (%)	81.0	82.5	84.0	85.5	Power Factor	0.30	0.52	0.66	0.75	Foundation loads Max. traction : 69 lb Max. compression : 106 lb
Output	25%	50%	75%	100%												
Efficiency (%)	81.0	82.5	84.0	85.5												
Power Factor	0.30	0.52	0.66	0.75												
Bearing type : Sealing : Lubrication interval : Lubricant amount : Lubricant type :	<table style="width:100%;"> <tr> <td style="text-align:center;"><u>Drive end</u></td> <td style="text-align:center;"><u>Non drive end</u></td> </tr> <tr> <td style="text-align:center;">6204 ZZ</td> <td style="text-align:center;">6202 ZZ</td> </tr> <tr> <td style="text-align:center;">V'Ring</td> <td style="text-align:center;">Without Bearing Seal</td> </tr> <tr> <td style="text-align:center;">-</td> <td style="text-align:center;">-</td> </tr> <tr> <td style="text-align:center;">-</td> <td style="text-align:center;">-</td> </tr> <tr> <td colspan="2" style="text-align:center;">Mobil Polyrex EM</td> </tr> </table>	<u>Drive end</u>	<u>Non drive end</u>	6204 ZZ	6202 ZZ	V'Ring	Without Bearing Seal	-	-	-	-	Mobil Polyrex EM				
<u>Drive end</u>	<u>Non drive end</u>															
6204 ZZ	6202 ZZ															
V'Ring	Without Bearing Seal															
-	-															
-	-															
Mobil Polyrex EM																
Notes																
This revision replaces and cancel the previous one, which must be eliminated. (1) Looking the motor from the shaft end. (2) Measured at 1m and with tolerance of +3dB(A). (3) Approximate weight subject to changes after manufacturing process. (4) At 100% of full load.	These are average values based on tests with sinusoidal power supply, subject to the tolerances stipulated in NEMA MG-1.															
Rev.	Changes Summary	Performed	Checked	Date												
Performed by																
Checked by			Page	Revision												
Date	14/04/2022		1 / 5													

TORQUE AND CURRENT VS SPEED CURVE

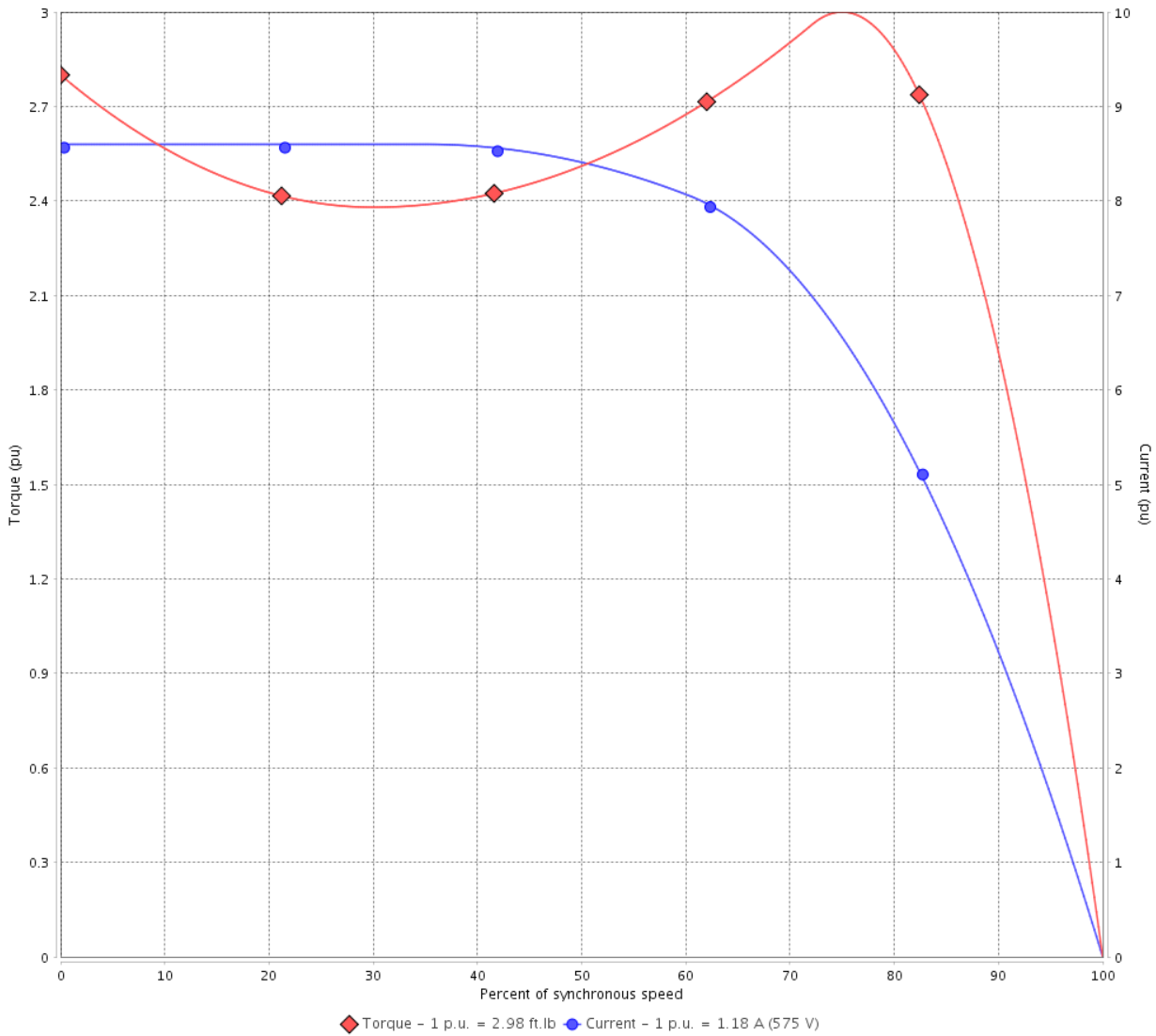
Three Phase Induction Motor - Squirrel Cage



Customer :

Product line : Premium Efficiency Three-Phase Product code : 14786560
 Catalog # : 00118ET3H56CFL-S

TORQUE AND CURRENT VS SPEED CURVE



Performance : 575 V 60 Hz 4P

Rated current	: 1.18 A	Moment of inertia (J)	: 0.1232 sq.ft.lb
LRC	: 8.6	Duty cycle	: Cont.(S1)
Rated torque	: 2.98 ft.lb	Insulation class	: F
Locked rotor torque	: 280 %	Service factor	: 1.15
Breakdown torque	: 300 %	Temperature rise	: 80 K
Rated speed	: 1765 rpm	Design	: B

Locked rotor time : 34s (cold) 19s (hot)

Rev.	Changes Summary	Performed	Checked	Date
Performed by		Page		Revision
Checked by		2 / 5		
Date	14/04/2022			

LOAD PERFORMANCE CURVE

Three Phase Induction Motor - Squirrel Cage



Customer : _____

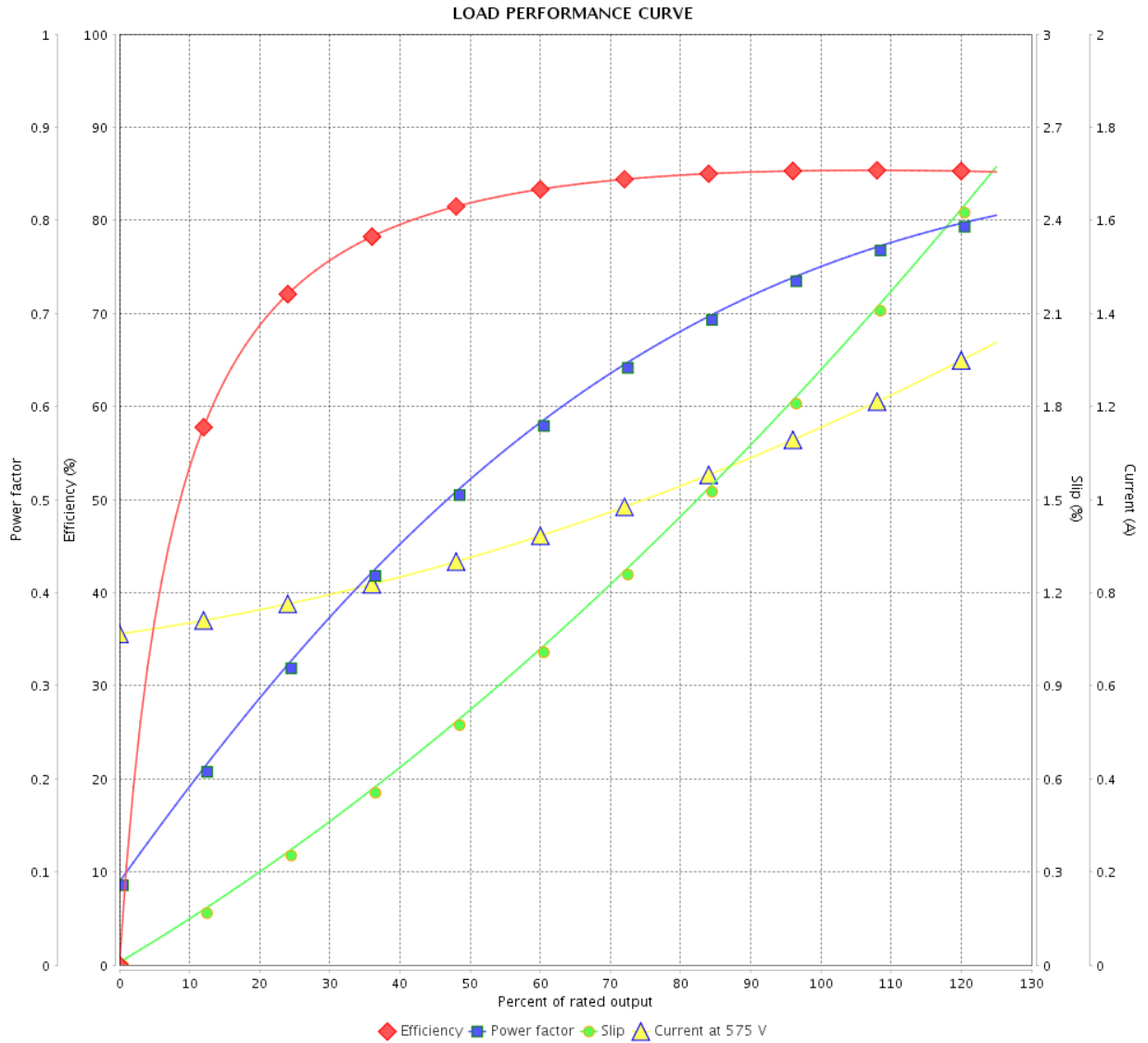
Product line : Premium Efficiency Three-Phase

Product code :

14786560

Catalog # :

00118ET3H56CFL-S



Performance : 575 V 60 Hz 4P

Rated current : 1.18 A
 LRC : 8.6
 Rated torque : 2.98 ft.lb
 Locked rotor torque : 280 %
 Breakdown torque : 300 %
 Rated speed : 1765 rpm

Moment of inertia (J) : 0.1232 sq.ft.lb
 Duty cycle : Cont.(S1)
 Insulation class : F
 Service factor : 1.15
 Temperature rise : 80 K
 Design : B

Rev.	Changes Summary	Performed	Checked	Date
Performed by			Page	Revision
Checked by				
Date				

THERMAL LIMIT CURVE

Three Phase Induction Motor - Squirrel Cage



Customer :

Product line : Premium Efficiency Three-Phase

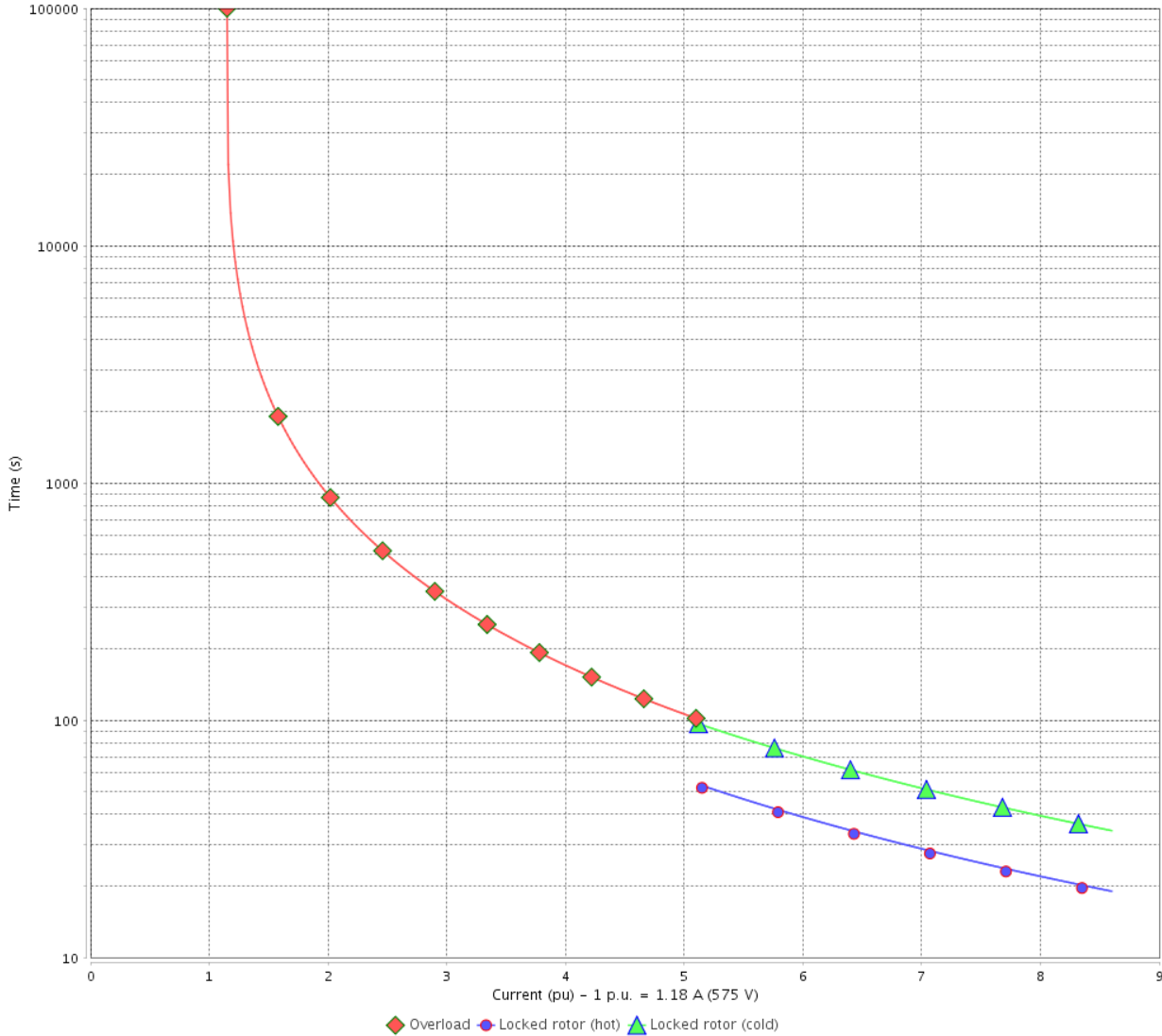
Product code :

14786560

Catalog # :

00118ET3H56CFL-S

THERMAL LIMIT CURVE



Performance : 575 V 60 Hz 4P

Rated current : 1.18 A
 LRC : 8.6
 Rated torque : 2.98 ft.lb
 Locked rotor torque : 280 %
 Breakdown torque : 300 %
 Rated speed : 1765 rpm

Moment of inertia (J) : 0.1232 sq.ft.lb
 Duty cycle : Cont.(S1)
 Insulation class : F
 Service factor : 1.15
 Temperature rise : 80 K
 Design : B

Heating constant

Cooling constant

Rev.	Changes Summary	Performed	Checked	Date
Performed by			Page 4 / 5	Revision
Checked by				
Date	14/04/2022			

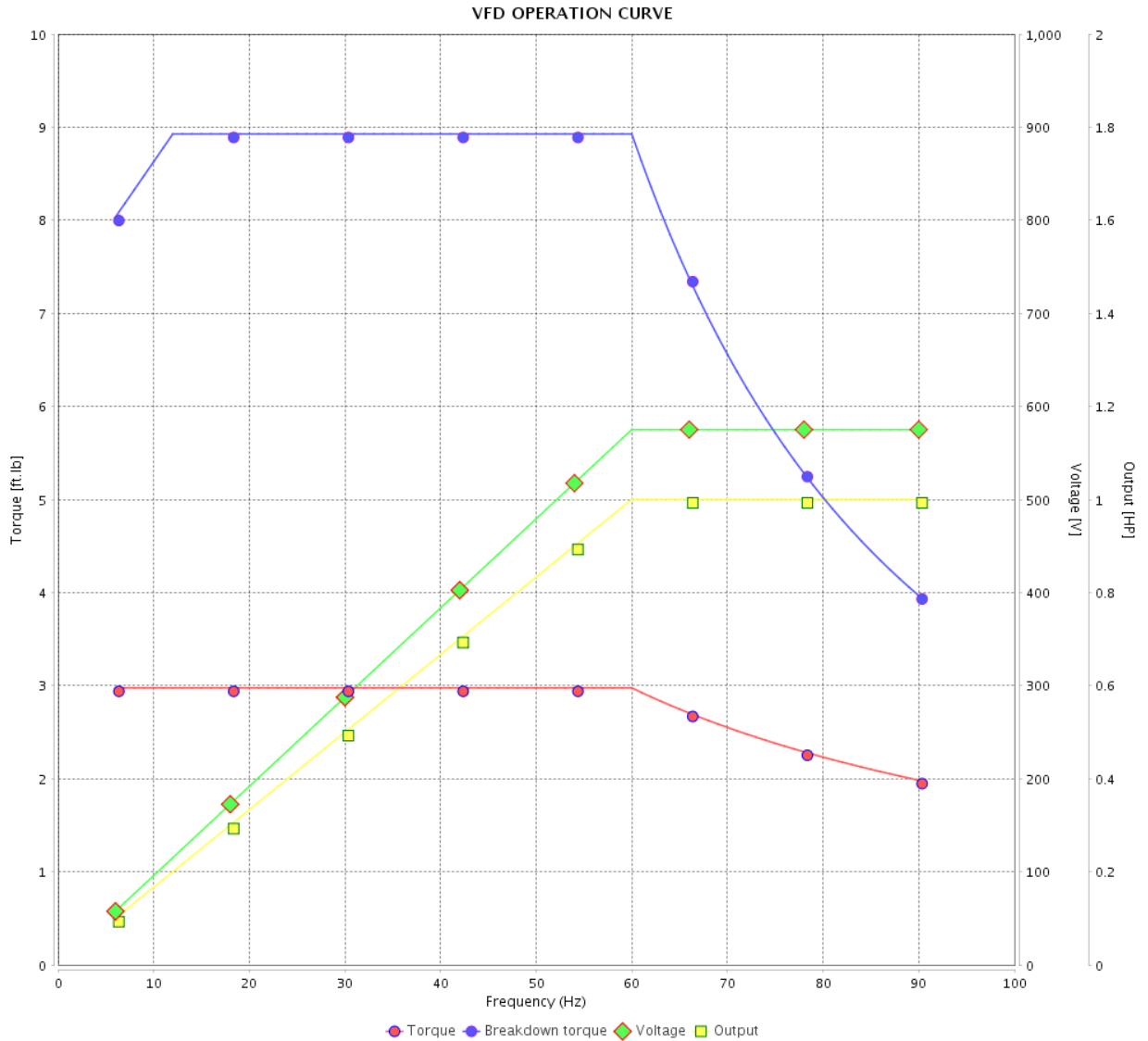
VFD OPERATION CURVE

Three Phase Induction Motor - Squirrel Cage



Customer :

Product line : Premium Efficiency Three-Phase Product code : 14786560
 Catalog # : 00118ET3H56CFL-S

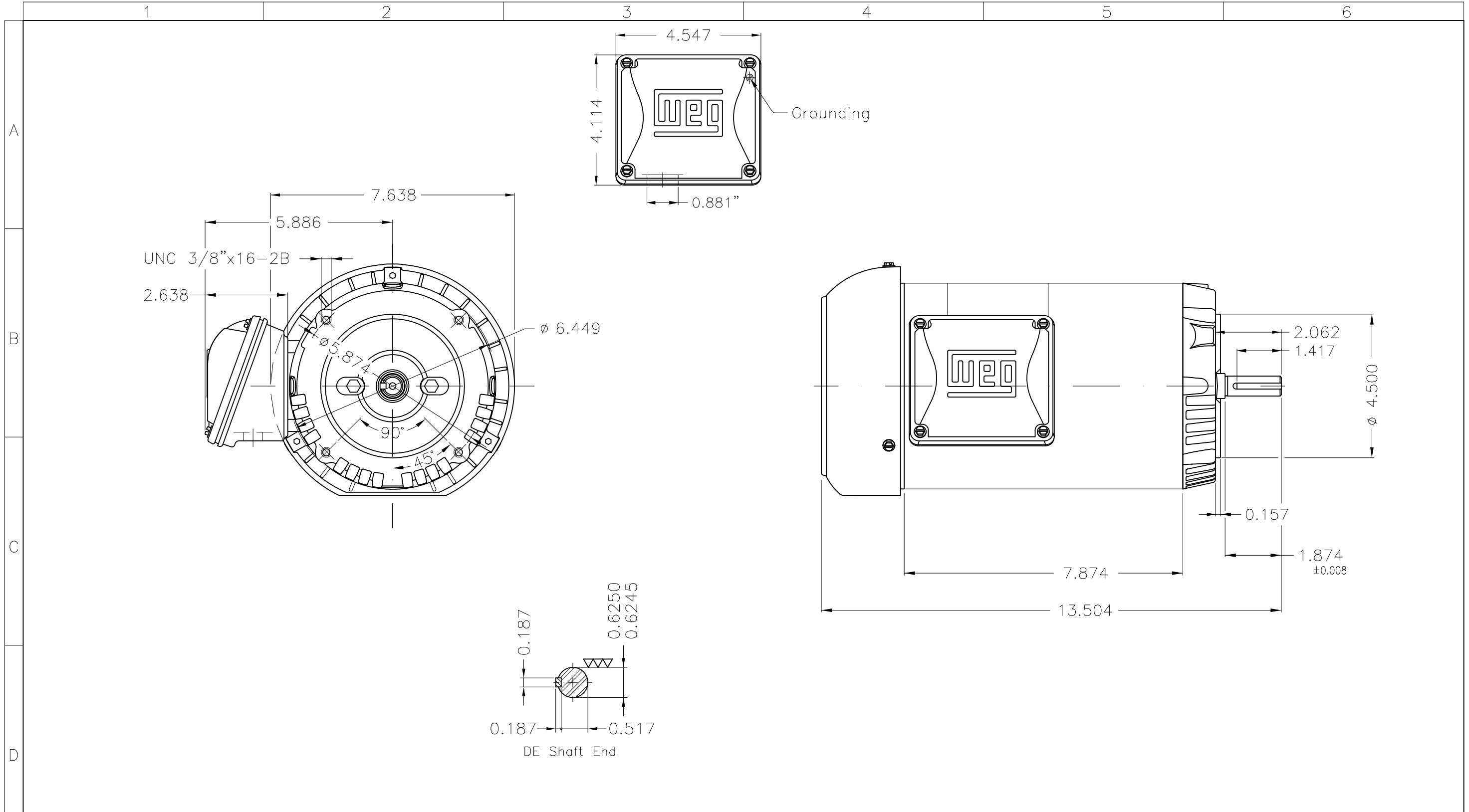


Performance : 575 V 60 Hz 4P

Rated current : 1.18 A
 LRC : 8.6
 Rated torque : 2.98 ft.lb
 Locked rotor torque : 280 %
 Breakdown torque : 300 %
 Rated speed : 1765 rpm

Moment of inertia (J) : 0.1232 sq.ft.lb
 Duty cycle : Cont.(S1)
 Insulation class : F
 Service factor : 1.15
 Temperature rise : 80 K
 Design : B

Rev.	Changes Summary	Performed	Checked	Date
Performed by			Page 5 / 5	Revision
Checked by				
Date	14/04/2022			



Fan cover - steel plate
 Color Munsell N 1 matte black
 Painting plan 207N
 Mounting F-1/B14R(D)

ECM	LOC	SUMMARY OF MODIFICATIONS	EXECUTED	CHECKED	RELEASED	DATE	VER
EXECUTED	PIRWBUSER	THREE PH. MOTOR ROLLED STEEL PREM. EFF.					
CHECKED		FRAME 56C IP55 TEFC					
RELEASED							
REL DT.	WMO	Jaragua do Sul	Product Engineering	SHEET	1 / 1		

1 HP 04 Poles 60 Hz

A

PREVIEW
WDD





NEMA
Premium



MADE IN MEXICO

MAT: 14786560 CC029A

W01.TE0IC0X0X

MODEL 00118ET3H56CFL-S

23FEB2022 B/N:

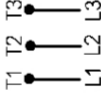
**For 60Hz: Class I, Zone 2, IIC
Class I, Div.2, Gr. A,B,C,D - T3**

**DIV 2 Inverter Duty (SF1.00)
CT 2:1/VT 1000:1**

PH 3	Hz 60	HP 1.0
FR 56C		KW 0.75
DUTY CONT.		V 575
ALT 1000 m.a.s.l.		A 1.18
INS CL F AT 80K	IP55	SFA 1.36
AMB 40°C	DES B	SF 1.15
ENCL TEFC	CODE M	PF 0.75
		RPM 1765
		NEMA NOM. EFF 85.5%

For safe area-Inverter duty motor For use on VPWM 1000:1 VT, 5:1 CT

DE 6204-ZZ ODE 6202-ZZ MOBIL POLYREX EM



T1-BLU

T2-WHT

T3-ORG



INTERCHANGE ANY TWO LINE WIRES TO REVERSE THE ROTATION

WARNING: Motor must be grounded in accordance with local and national electrical codes to prevent serious electrical shocks. Disconnect power source before servicing unit.



AVERTISSEMENT: Le moteur doit être mis à la terre

conformément aux codes électriques locaux et nationaux afin d'éviter tout choc électrique grave. Déconnectez l'alimentation avant l'entretien de la machine.

