

DATA SHEET

Three Phase Induction Motor - Squirrel Cage



Customer :				
Product line	: JP Pump NEMA Premium Efficiency Three-Phase			
Product code :	12682720			
Catalog # :	00118OT3E143JP-S			
Frame	: 143/5JP			
Insulation class	: F			
Duty cycle	: Cont.(S1)			
Ambient temperature	: -20°C to +40°C			
Altitude	: 1000 m.a.s.l.			
Design	: B			
Cooling method	: IC01 - ODP			
Mounting	: F-1			
Rotation ¹	: Both (CW and CCW)			
Starting method	: Direct On Line			
Approx. weight ²	: 37.5 lb			
Moment of inertia (J)	: 0.1101 sq.ft.lb			
Output [HP]	1			
Poles	4			
Frequency [Hz]	60			
Rated voltage [V]	230/460			
Rated current [A]	3.02/1.51			
L. R. Amperes [A]	24.2/12.1			
LRC [A]	8.0x(Code L)			
No load current [A]	1.92/0.958			
Rated speed [RPM]	1760			
Slip [%]	2.22			
Rated torque [ft.lb]	2.98			
Locked rotor torque [%]	290			
Breakdown torque [%]	360			
Service factor	1.15			
Temperature rise	80 K			
Locked rotor time	39s (cold) 22s (hot)			
Noise level ²	52.0 dB(A)			
Efficiency (%)	25%	79.9		
	50%	81.5		
	75%	84.0		
	100%	85.5		
Power Factor	25%	0.29		
	50%	0.51		
	75%	0.65		
	100%	0.73		
Bearing type	: <u>Drive end</u> 6206 ZZ <u>Non drive end</u> 6203 ZZ			
Sealing	: Without Without			
	: Bearing Seal Bearing Seal			
Lubrication interval	: - -			
Lubricant amount	: - -			
Lubricant type	: Mobil Polyrex EM			
Foundation loads	Max. traction : 76 lb			
	Max. compression : 113 lb			
Notes				
USABLE @208V 3.34A SF 1.00 SFA 3.34A				
This revision replaces and cancel the previous one, which must be eliminated. (1) Looking the motor from the shaft end. (2) Measured at 1m and with tolerance of +3dB(A). (3) Approximate weight subject to changes after manufacturing process. (4) At 100% of full load.	These are average values based on tests with sinusoidal power supply, subject to the tolerances stipulated in NEMA MG-1.			
Rev.	Changes Summary	Performed	Checked	Date
Performed by				
Checked by			Page	Revision
Date	14/04/2022		1 / 16	

TORQUE AND CURRENT VS SPEED CURVE

Three Phase Induction Motor - Squirrel Cage



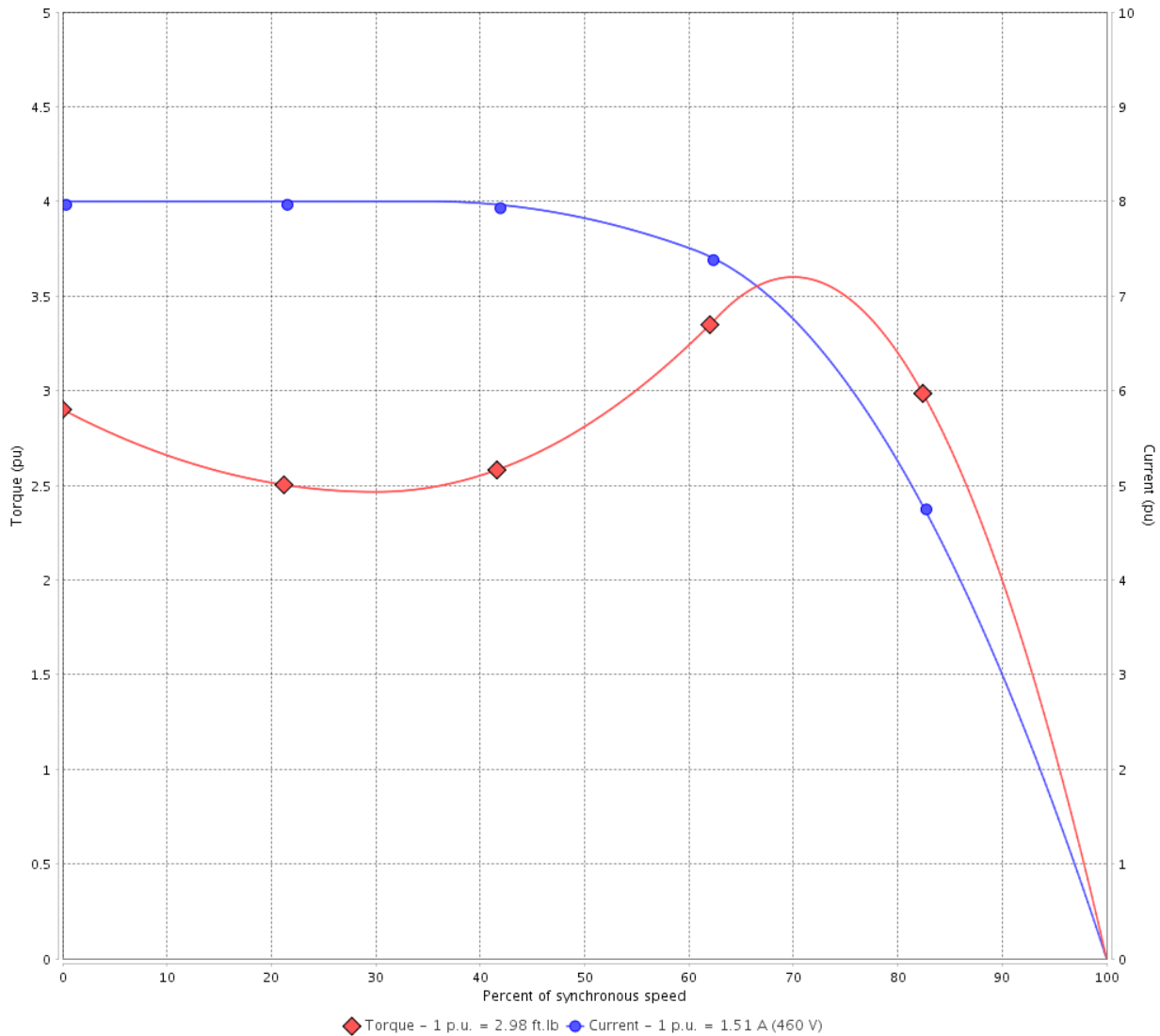
Customer :

Product line : JP Pump NEMA Premium
Efficiency Three-Phase

Product code : 12682720

Catalog # : 001180T3E143JP-S

TORQUE AND CURRENT VS SPEED CURVE



Performance : 230/460 V 60 Hz 4P

Rated current	: 3.02/1.51 A	Moment of inertia (J)	: 0.1101 sq.ft.lb
LRC	: 8.0	Duty cycle	: Cont.(S1)
Rated torque	: 2.98 ft.lb	Insulation class	: F
Locked rotor torque	: 290 %	Service factor	:
Breakdown torque	: 360 %	Temperature rise	: 80 K
Rated speed	: 1760 rpm	Design	: B

Locked rotor time : 39s (cold) 22s (hot)

Rev.	Changes Summary	Performed	Checked	Date
Performed by			Page 2 / 16	Revision
Checked by				
Date	14/04/2022			

TORQUE AND CURRENT VS SPEED CURVE



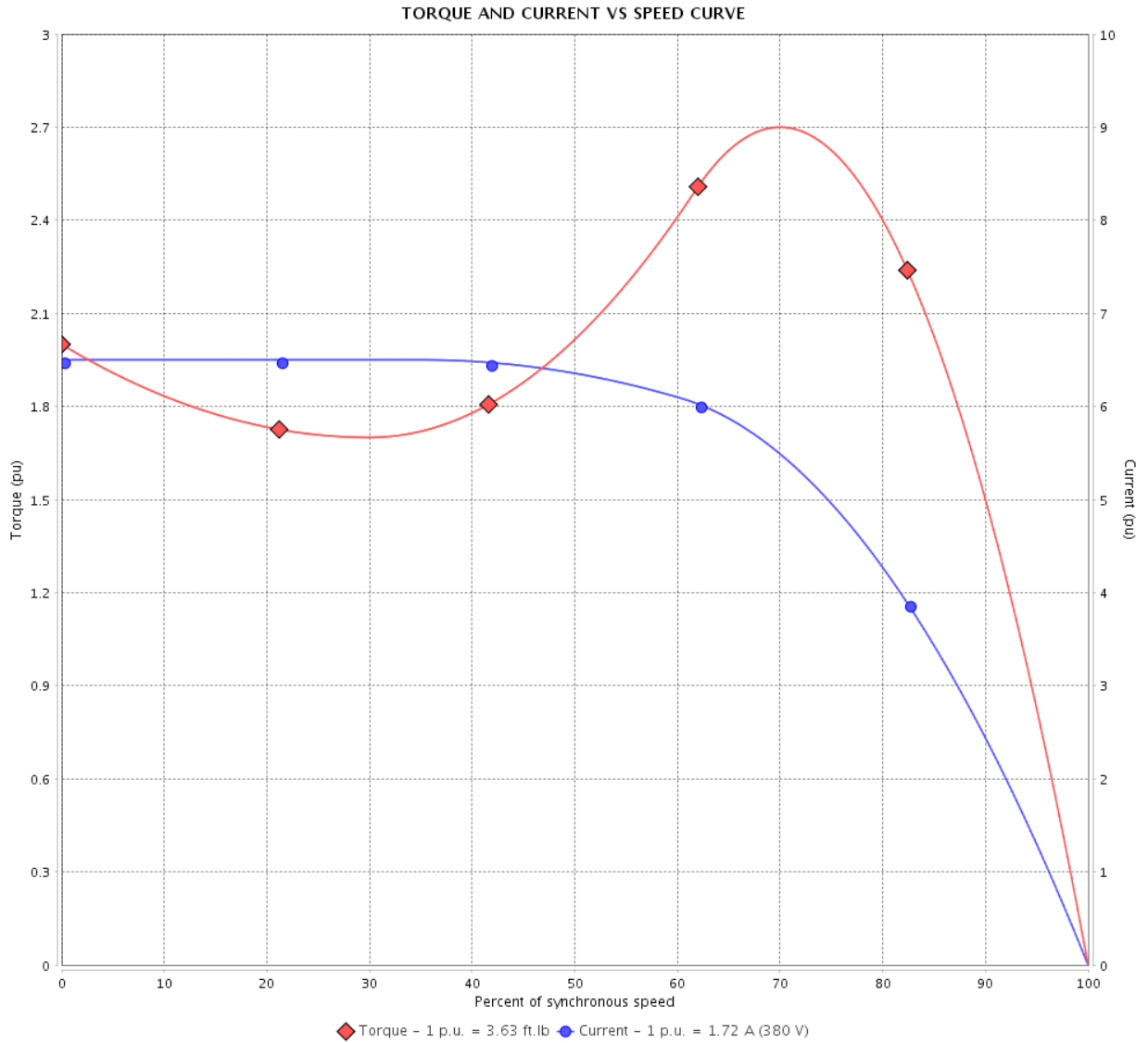
Three Phase Induction Motor - Squirrel Cage

Customer :

Product line : JP Pump NEMA Premium Efficiency Three-Phase

Product code : 12682720

Catalog # : 00118OT3E143JP-S



Performance : 190/380 V 50 Hz 4P

Rated current : 3.44/1.72 A
 LRC : 6.5
 Rated torque : 3.63 ft.lb
 Locked rotor torque : 200 %
 Breakdown torque : 270 %
 Rated speed : 1445 rpm

Moment of inertia (J) : 0.1101 sq.ft.lb
 Duty cycle : Cont.(S1)
 Insulation class : F
 Service factor : 1.15
 Temperature rise : 80 K
 Design : B

Locked rotor time : 0s (cold) 0s (hot)

Rev.	Changes Summary	Performed	Checked	Date
Performed by			Page 3 / 16	Revision
Checked by				
Date	14/04/2022			

TORQUE AND CURRENT VS SPEED CURVE

Three Phase Induction Motor - Squirrel Cage



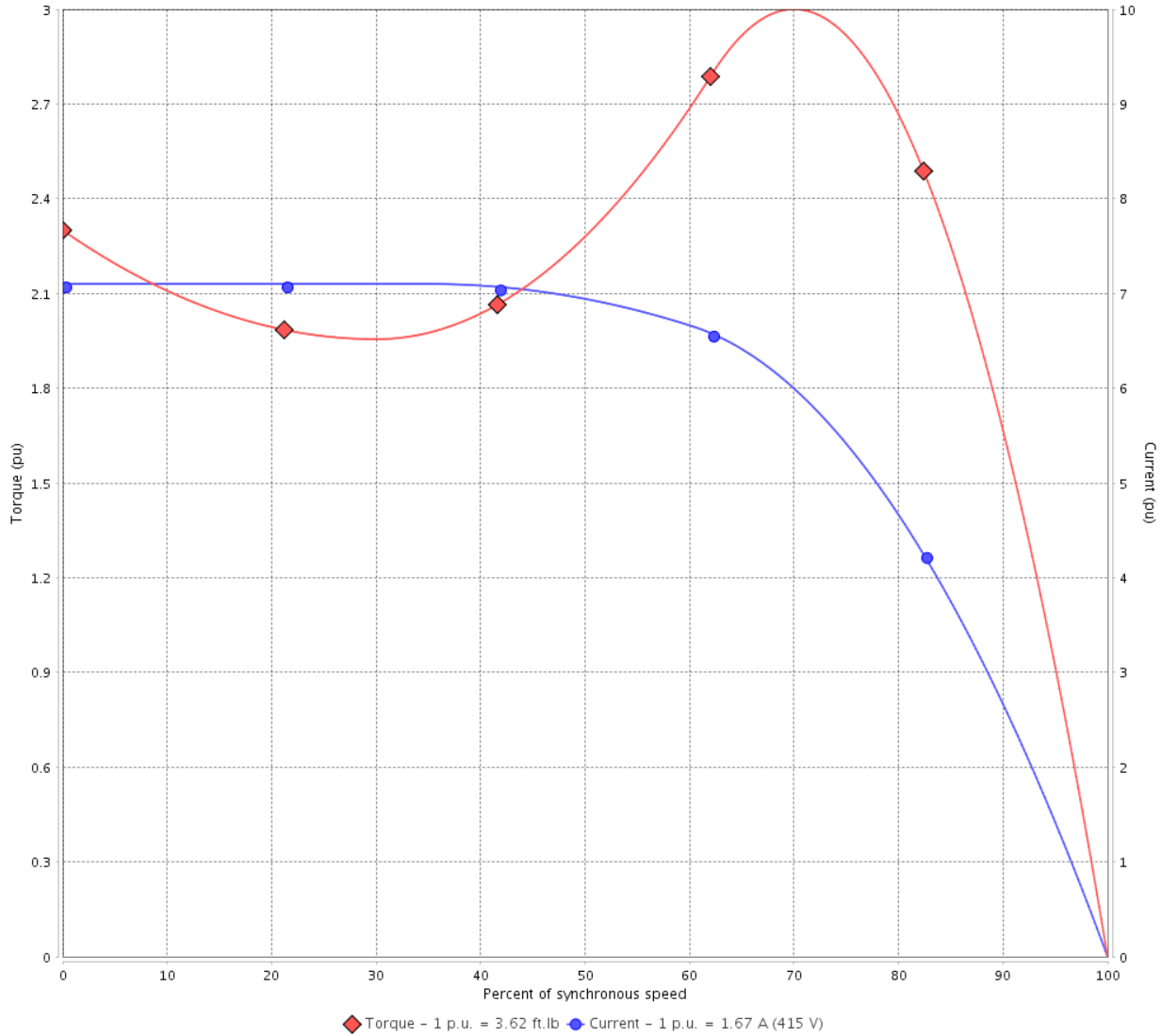
Customer :

Product line : JP Pump NEMA Premium
Efficiency Three-Phase

Product code : 12682720

Catalog # : 001180T3E143JP-S

TORQUE AND CURRENT VS SPEED CURVE



Performance : 220/415 V 50 Hz 4P

Rated current	: 3.15/1.67 A	Moment of inertia (J)	: 0.1101 sq.ft.lb
LRC	: 7.1	Duty cycle	: Cont.(S1)
Rated torque	: 3.62 ft.lb	Insulation class	: F
Locked rotor torque	: 229 %	Service factor	: 1.15
Breakdown torque	: 300 %	Temperature rise	: 80 K
Rated speed	: 1450 rpm	Design	: B

Locked rotor time : 0s (cold) 0s (hot)

Rev.	Changes Summary	Performed	Checked	Date
Performed by			Page 4 / 16	Revision
Checked by				
Date	14/04/2022			

LOAD PERFORMANCE CURVE

Three Phase Induction Motor - Squirrel Cage

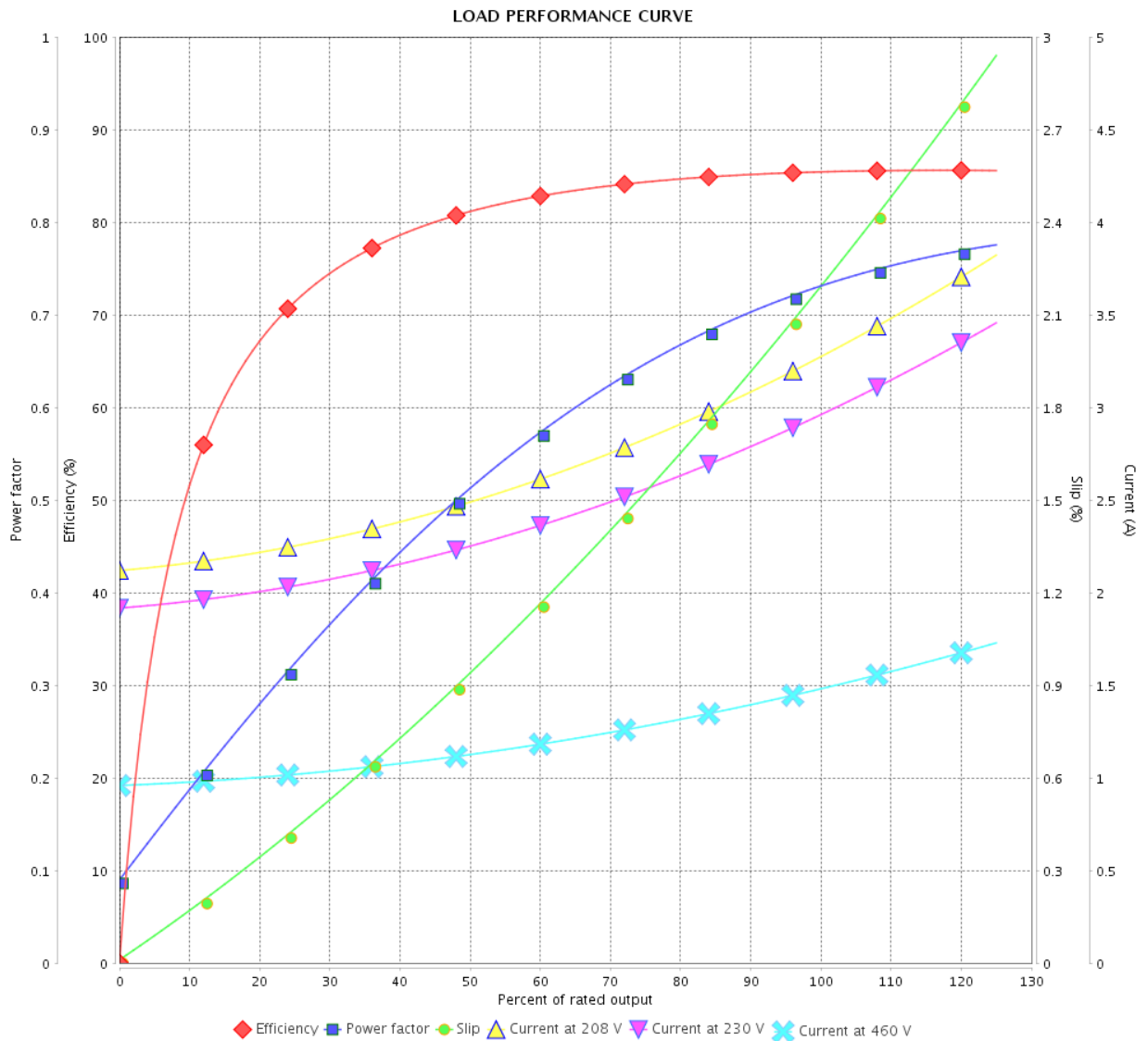


Customer :

Product line : JP Pump NEMA Premium Efficiency Three-Phase

Product code : 12682720

Catalog # : 00118OT3E143JP-S



Performance : 230/460 V 60 Hz 4P

Rated current : 3.02/1.51 A
 LRC : 8.0
 Rated torque : 2.98 ft.lb
 Locked rotor torque : 290 %
 Breakdown torque : 360 %
 Rated speed : 1760 rpm

Moment of inertia (J) : 0.1101 sq.ft.lb
 Duty cycle : Cont.(S1)
 Insulation class : F
 Service factor :
 Temperature rise : 80 K
 Design : B

Rev.	Changes Summary	Performed	Checked	Date
Performed by		Page		Revision
Checked by		5 / 16		
Date		14/04/2022		

LOAD PERFORMANCE CURVE

Three Phase Induction Motor - Squirrel Cage



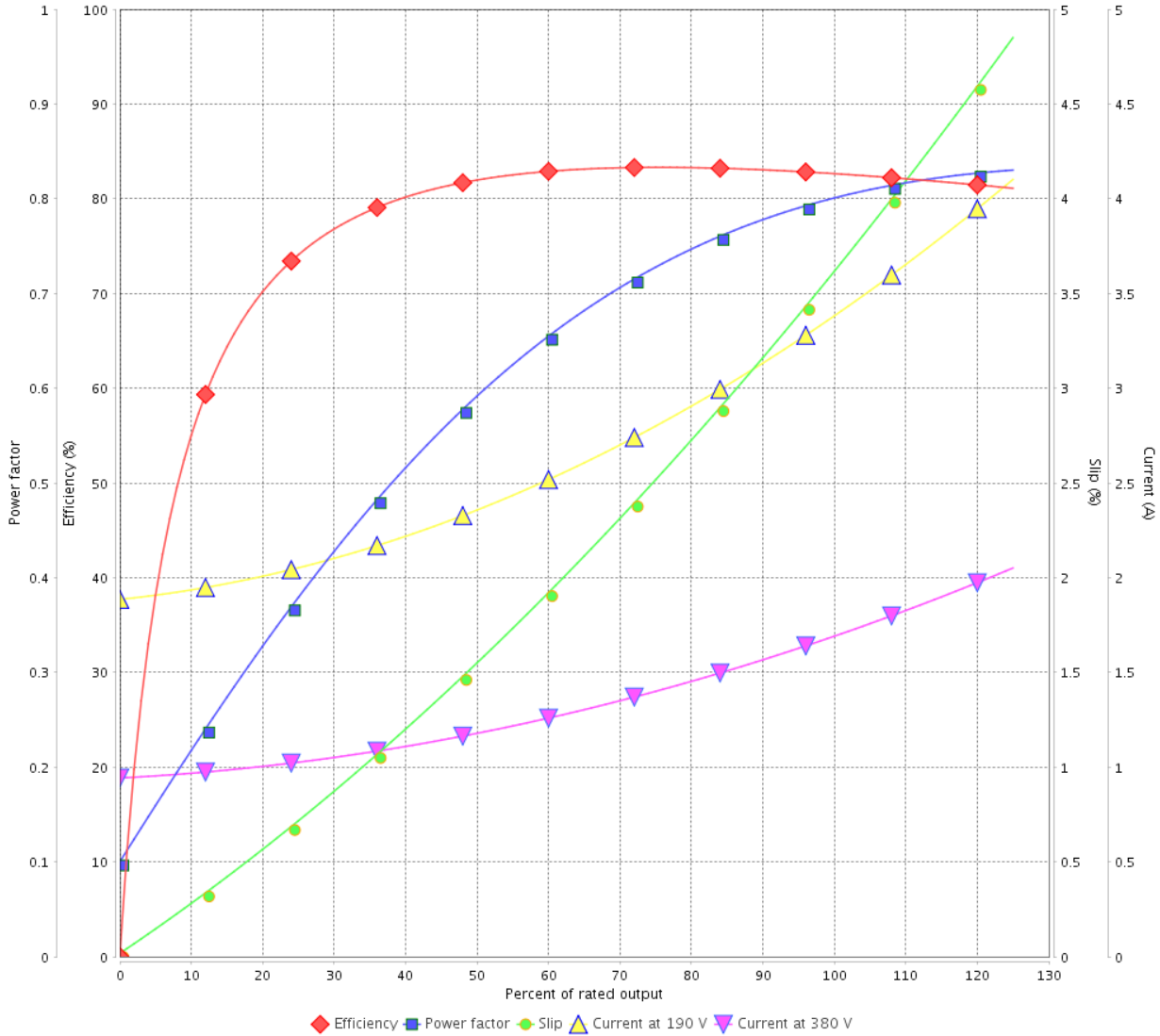
Customer :

Product line : JP Pump NEMA Premium
Efficiency Three-Phase

Product code : 12682720

Catalog # : 001180T3E143JP-S

LOAD PERFORMANCE CURVE



Performance : 190/380 V 50 Hz 4P

Rated current : 3.44/1.72 A
LRC : 6.5
Rated torque : 3.63 ft.lb
Locked rotor torque : 200 %
Breakdown torque : 270 %
Rated speed : 1445 rpm

Moment of inertia (J) : 0.1101 sq.ft.lb
Duty cycle : Cont.(S1)
Insulation class : F
Service factor : 1.15
Temperature rise : 80 K
Design : B

Rev.	Changes Summary	Performed	Checked	Date
Performed by			Page	Revision
Checked by			6 / 16	
Date	14/04/2022			

LOAD PERFORMANCE CURVE

Three Phase Induction Motor - Squirrel Cage

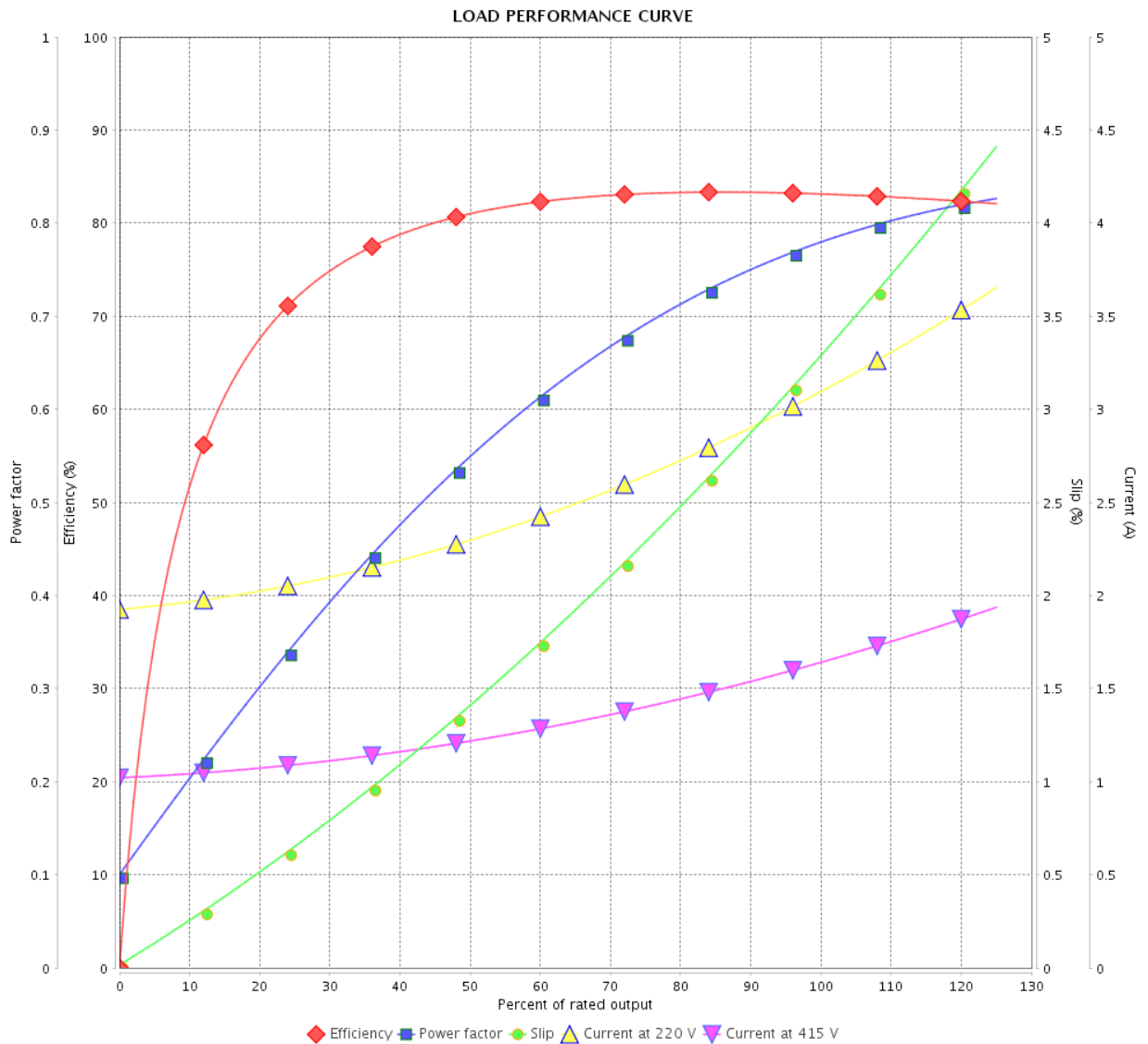


Customer :

Product line : JP Pump NEMA Premium Efficiency Three-Phase

Product code : 12682720

Catalog # : 00118OT3E143JP-S



Performance : 220/415 V 50 Hz 4P

Rated current : 3.15/1.67 A
 LRC : 7.1
 Rated torque : 3.62 ft.lb
 Locked rotor torque : 229 %
 Breakdown torque : 300 %
 Rated speed : 1450 rpm

Moment of inertia (J) : 0.1101 sq.ft.lb
 Duty cycle : Cont.(S1)
 Insulation class : F
 Service factor : 1.15
 Temperature rise : 80 K
 Design : B

Rev.	Changes Summary	Performed	Checked	Date
Performed by			Page	Revision
Checked by			7 / 16	
Date	14/04/2022			

THERMAL LIMIT CURVE



Three Phase Induction Motor - Squirrel Cage

Customer :

Product line : JP Pump NEMA Premium
Efficiency Three-Phase

Product code : 12682720

Catalog # : 00118OT3E143JP-S

Performance : 230/460 V 60 Hz 4P

Rated current : 3.02/1.51 A
LRC : 8.0
Rated torque : 2.98 ft.lb
Locked rotor torque : 290 %
Breakdown torque : 360 %
Rated speed : 1760 rpm

Moment of inertia (J) : 0.1101 sq.ft.lb
Duty cycle : Cont.(S1)
Insulation class : F
Service factor :
Temperature rise : 80 K
Design : B

Heating constant

Cooling constant

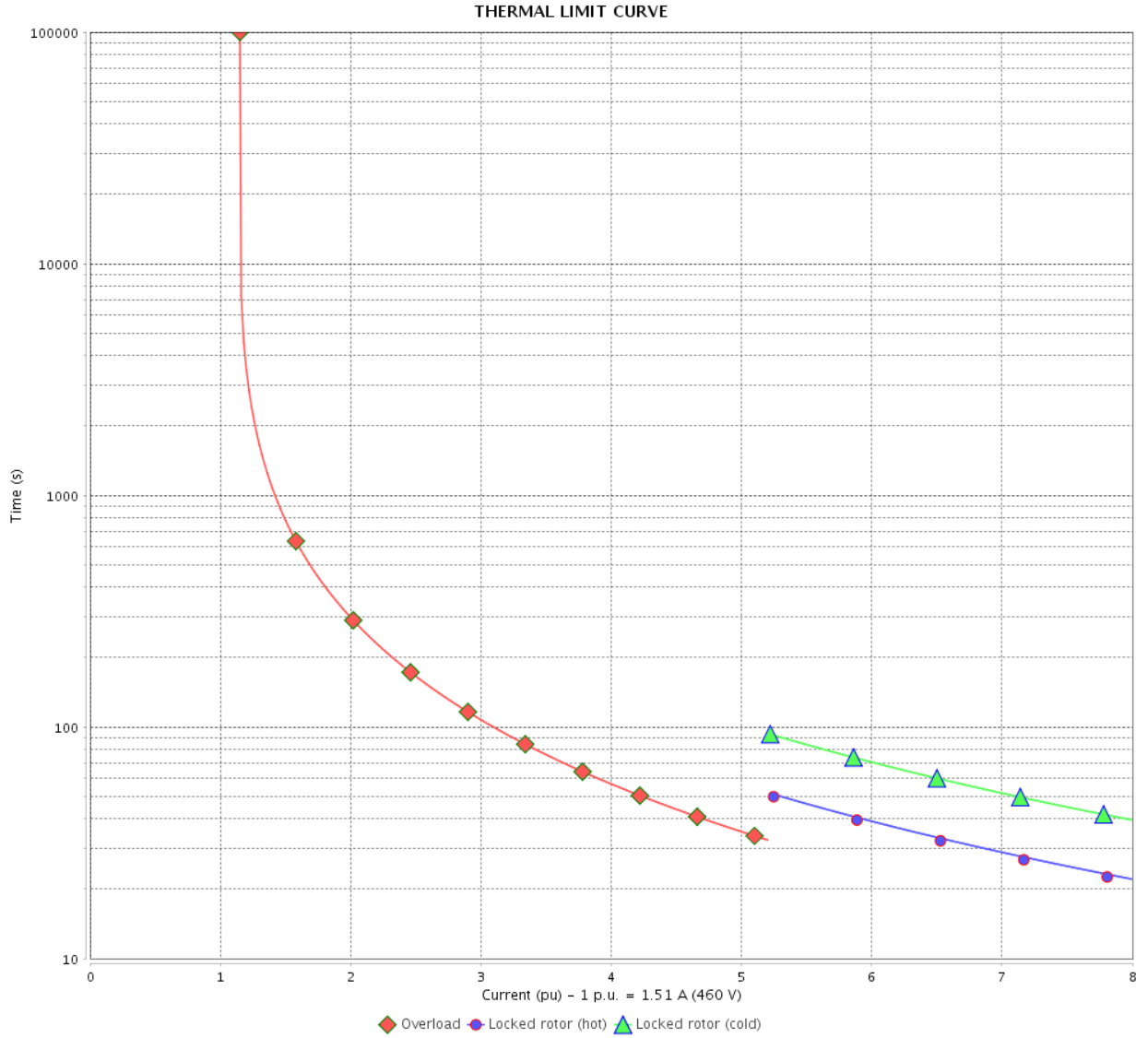
Rev.	Changes Summary	Performed	Checked	Date
Performed by				
Checked by			Page	Revision
Date	14/04/2022		8 / 16	

THERMAL LIMIT CURVE

Three Phase Induction Motor - Squirrel Cage



Customer : _____



Rev.	Changes Summary	Performed	Checked	Date
Performed by		Page 9 / 16		Revision
Checked by				
Date				

THERMAL LIMIT CURVE



Three Phase Induction Motor - Squirrel Cage

Customer :

Product line : JP Pump NEMA Premium
Efficiency Three-Phase

Product code : 12682720

Catalog # : 00118OT3E143JP-S

Performance : 190/380 V 50 Hz 4P

Rated current : 3.44/1.72 A
LRC : 6.5
Rated torque : 3.63 ft.lb
Locked rotor torque : 200 %
Breakdown torque : 270 %
Rated speed : 1445 rpm

Moment of inertia (J) : 0.1101 sq.ft.lb
Duty cycle : Cont.(S1)
Insulation class : F
Service factor : 1.15
Temperature rise : 80 K
Design : B

Heating constant

Cooling constant

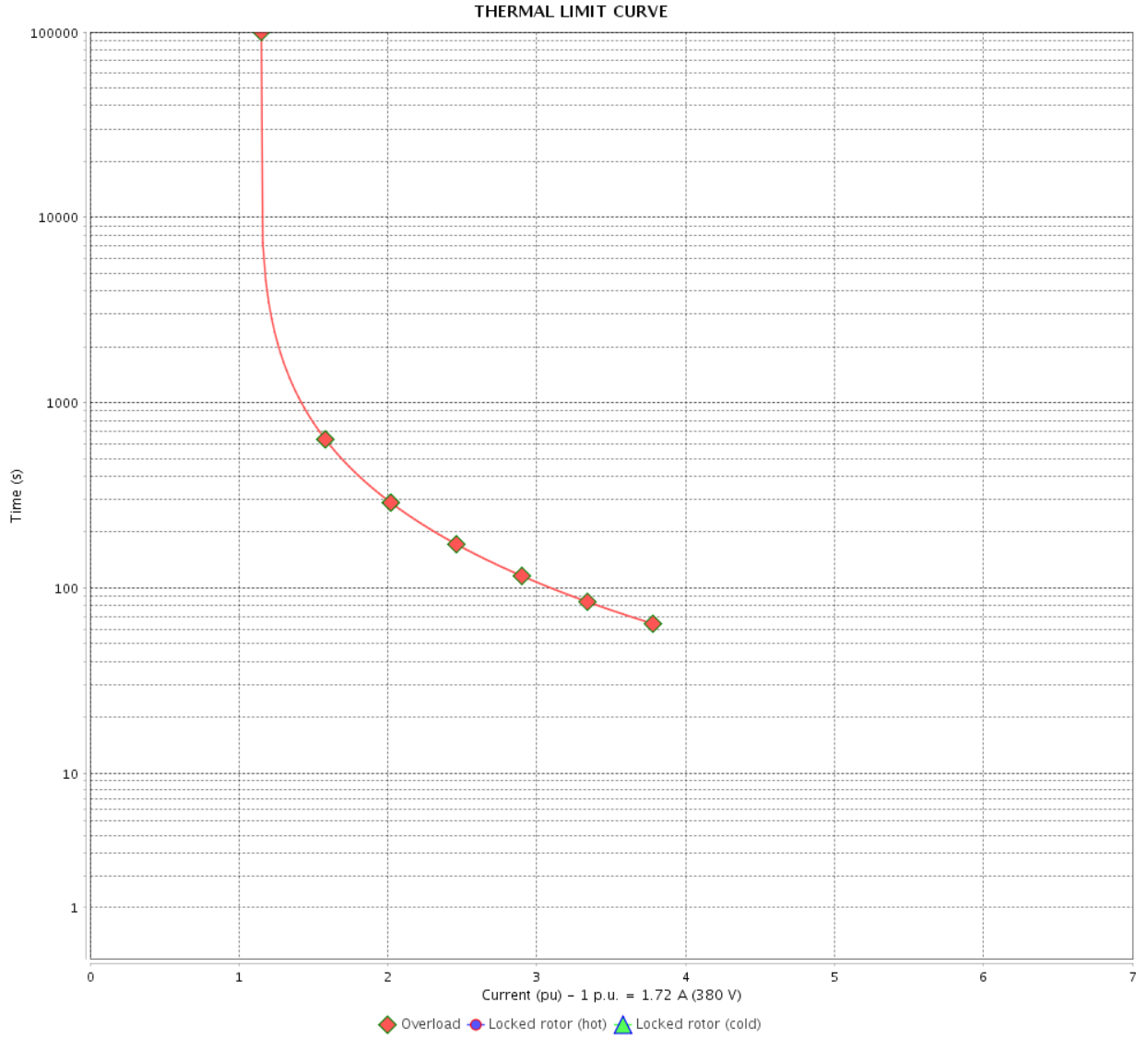
Rev.	Changes Summary	Performed	Checked	Date
Performed by				
Checked by			Page	Revision
Date	14/04/2022		10 / 16	

THERMAL LIMIT CURVE

Three Phase Induction Motor - Squirrel Cage



Customer : _____



Rev.	Changes Summary	Performed	Checked	Date
Performed by		Page		Revision
Checked by		11 / 16		
Date		14/04/2022		

THERMAL LIMIT CURVE



Three Phase Induction Motor - Squirrel Cage

Customer :

Product line : JP Pump NEMA Premium
Efficiency Three-Phase

Product code : 12682720

Catalog # : 00118OT3E143JP-S

Performance : 220/415 V 50 Hz 4P

Rated current : 3.15/1.67 A
LRC : 7.1
Rated torque : 3.62 ft.lb
Locked rotor torque : 229 %
Breakdown torque : 300 %
Rated speed : 1450 rpm

Moment of inertia (J) : 0.1101 sq.ft.lb
Duty cycle : Cont.(S1)
Insulation class : F
Service factor : 1.15
Temperature rise : 80 K
Design : B

Heating constant

Cooling constant

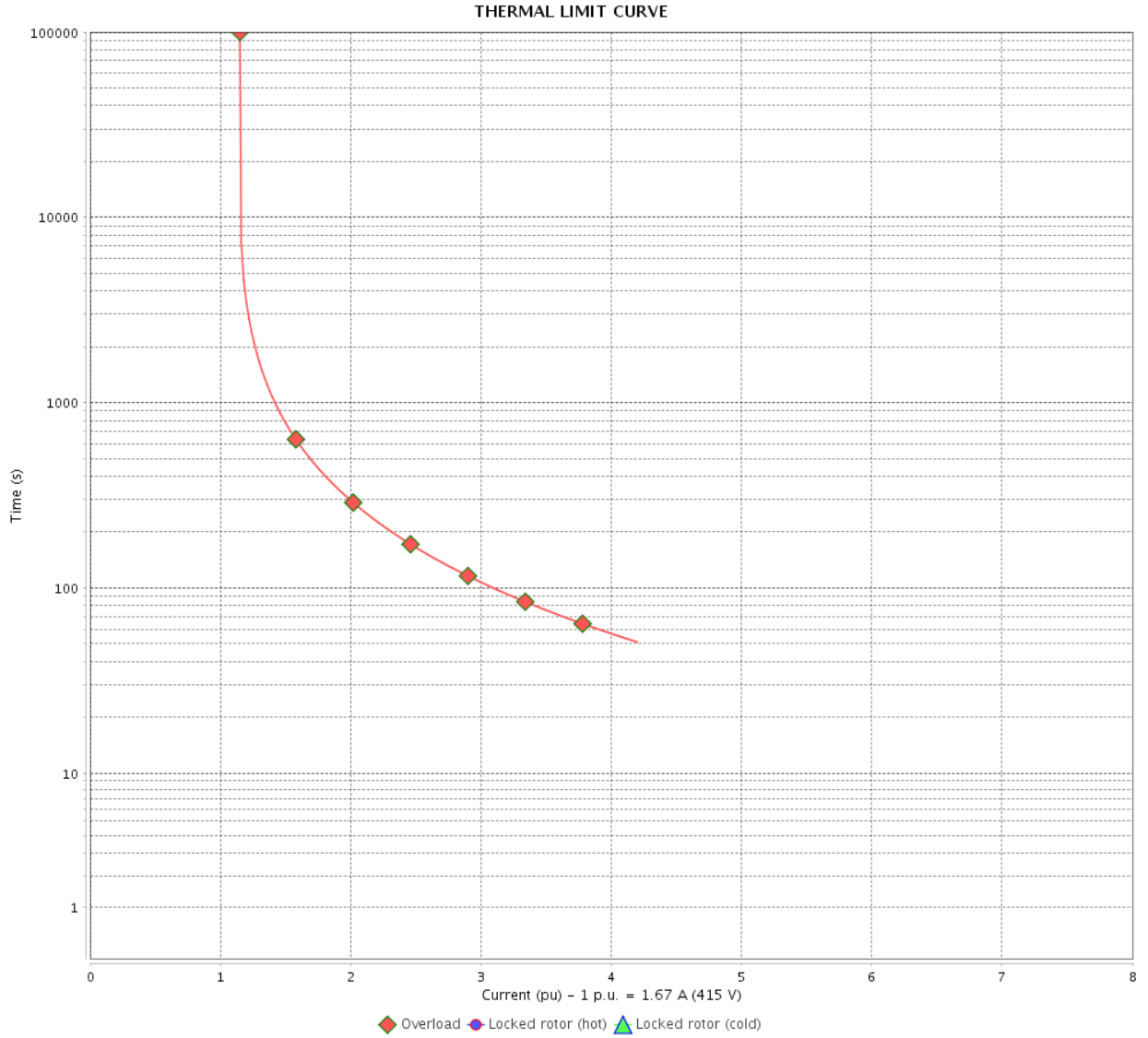
Rev.	Changes Summary	Performed	Checked	Date
Performed by				
Checked by			Page	Revision
Date	14/04/2022		12 / 16	

THERMAL LIMIT CURVE

Three Phase Induction Motor - Squirrel Cage



Customer : _____



Rev.	Changes Summary	Performed	Checked	Date
Performed by		Page		Revision
Checked by		13 / 16		
Date		14/04/2022		

VFD OPERATION CURVE

Three Phase Induction Motor - Squirrel Cage



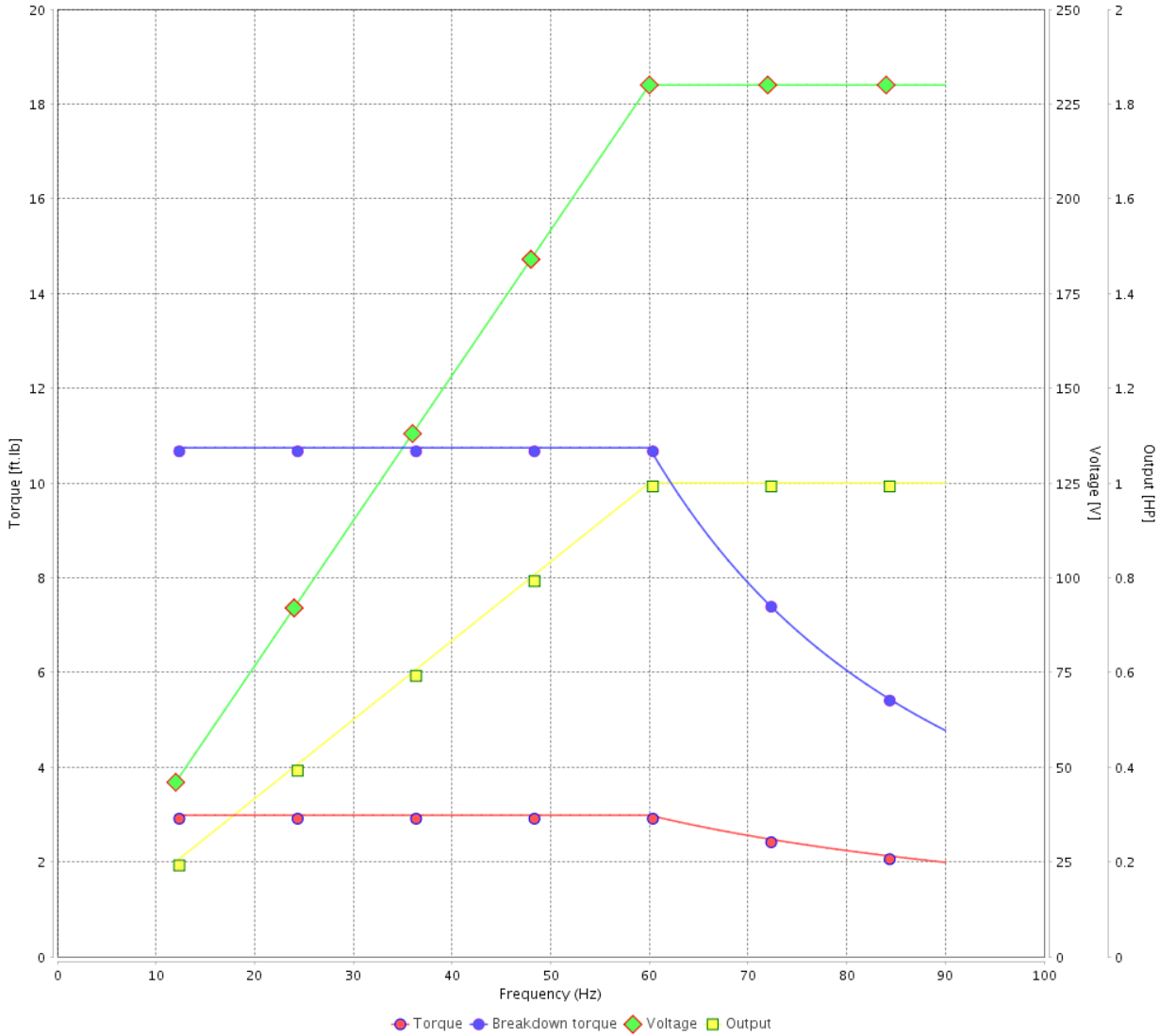
Customer :

Product line : JP Pump NEMA Premium Efficiency Three-Phase

Product code : 12682720

Catalog # : 001180T3E143JP-S

VFD OPERATION CURVE



Performance : 230/460 V 60 Hz 4P

Rated current : 3.02/1.51 A
 LRC : 8.0
 Rated torque : 2.98 ft.lb
 Locked rotor torque : 290 %
 Breakdown torque : 360 %
 Rated speed : 1760 rpm

Moment of inertia (J) : 0.1101 sq.ft.lb
 Duty cycle : Cont.(S1)
 Insulation class : F
 Service factor :
 Temperature rise : 80 K
 Design : B

Rev.	Changes Summary	Performed	Checked	Date
Performed by			Page	Revision
Checked by				
Date				

VFD OPERATION CURVE

Three Phase Induction Motor - Squirrel Cage

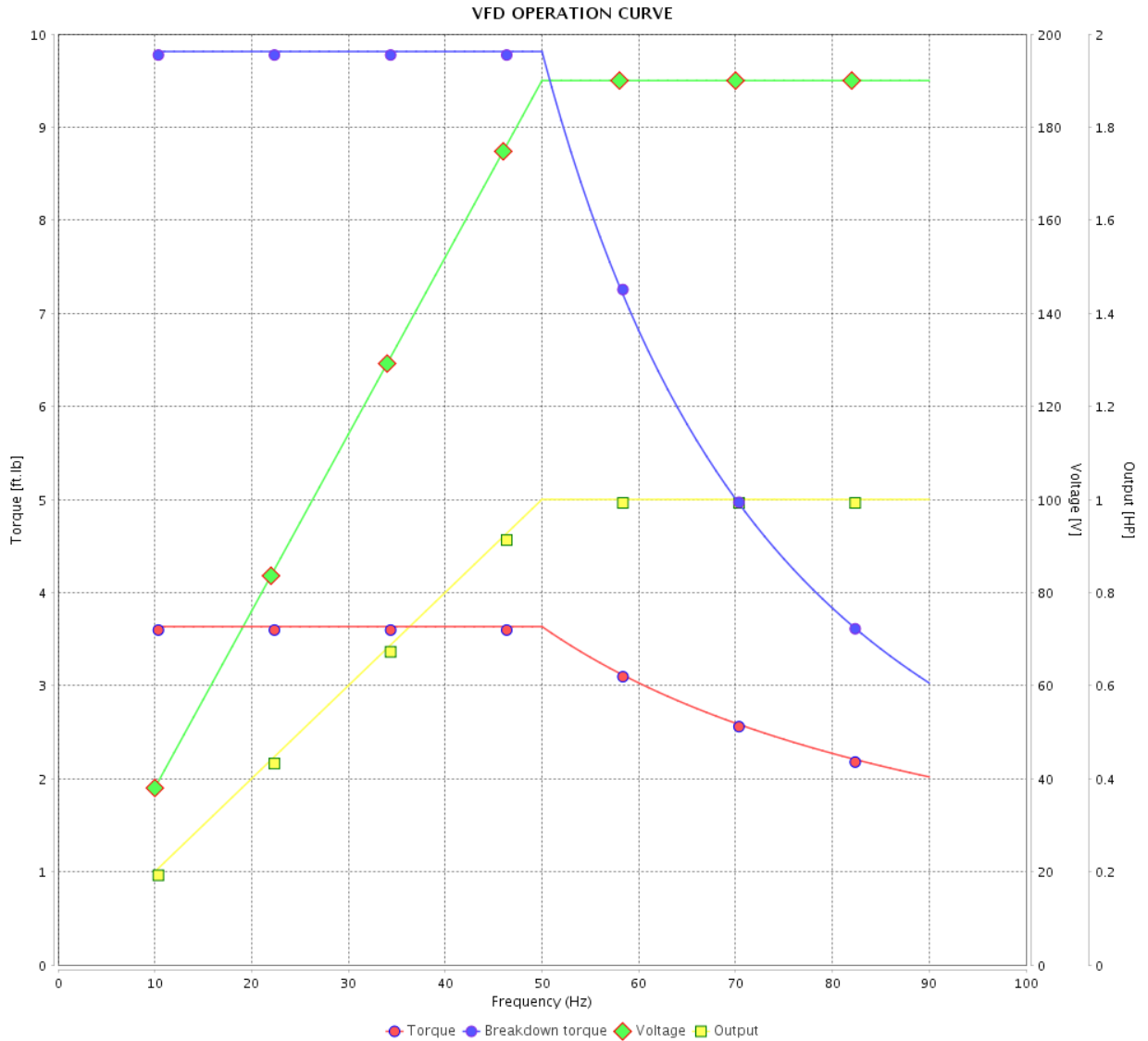


Customer :

Product line : JP Pump NEMA Premium Efficiency Three-Phase

Product code : 12682720

Catalog # : 00118OT3E143JP-S



Performance : 190/380 V 50 Hz 4P

Rated current : 3.44/1.72 A
 LRC : 6.5
 Rated torque : 3.63 ft.lb
 Locked rotor torque : 200 %
 Breakdown torque : 270 %
 Rated speed : 1445 rpm

Moment of inertia (J) : 0.1101 sq.ft.lb
 Duty cycle : Cont.(S1)
 Insulation class : F
 Service factor : 1.15
 Temperature rise : 80 K
 Design : B

Rev.	Changes Summary	Performed	Checked	Date
Performed by				Page 15 / 16
Checked by				
Date	14/04/2022			

VFD OPERATION CURVE

Three Phase Induction Motor - Squirrel Cage



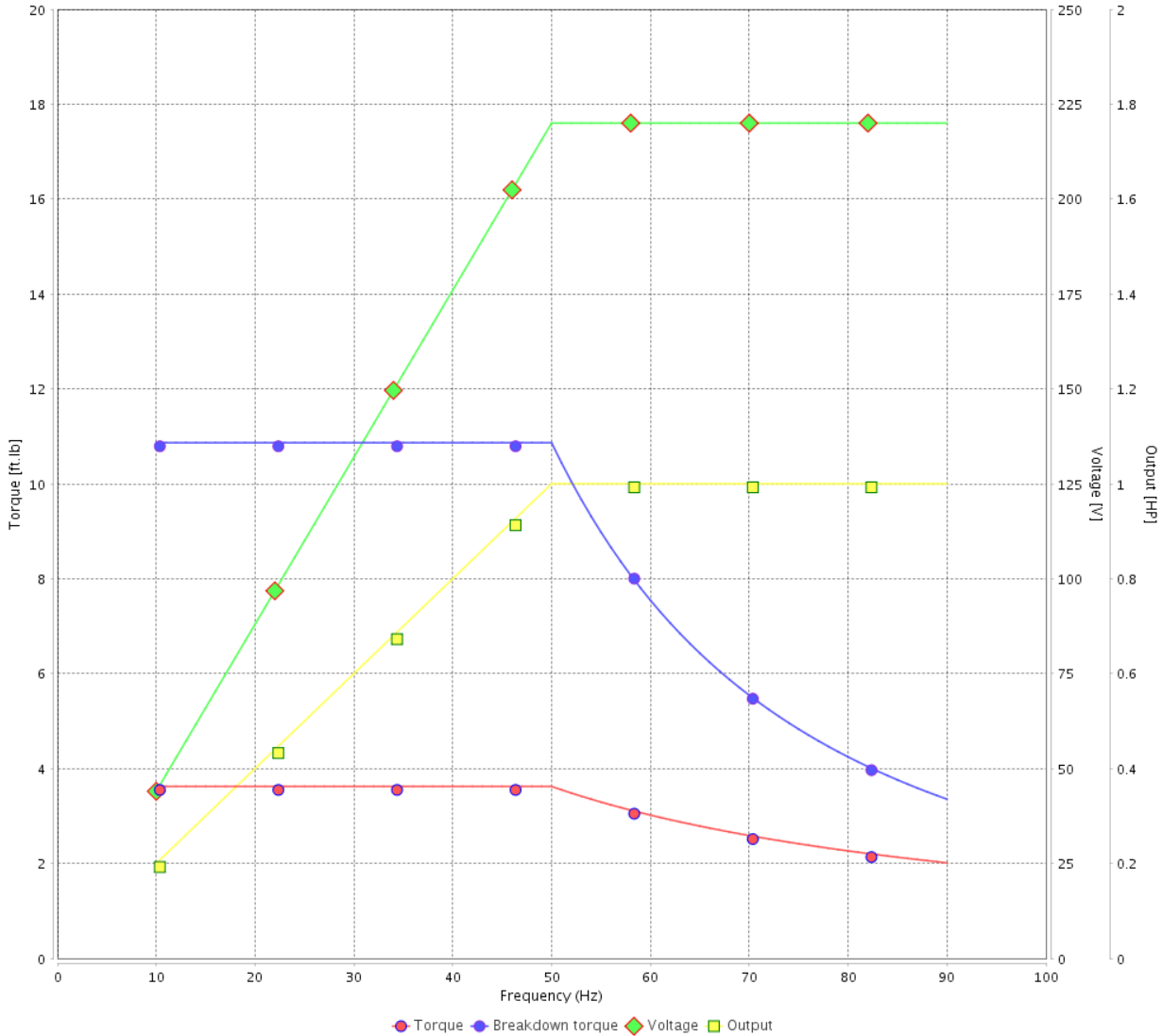
Customer :

Product line : JP Pump NEMA Premium
Efficiency Three-Phase

Product code : 12682720

Catalog # : 001180T3E143JP-S

VFD OPERATION CURVE



Performance : 220/415 V 50 Hz 4P

Rated current : 3.15/1.67 A
LRC : 7.1
Rated torque : 3.62 ft.lb
Locked rotor torque : 229 %
Breakdown torque : 300 %
Rated speed : 1450 rpm

Moment of inertia (J) : 0.1101 sq.ft.lb
Duty cycle : Cont.(S1)
Insulation class : F
Service factor : 1.15
Temperature rise : 80 K
Design : B

Rev.	Changes Summary	Performed	Checked	Date
Performed by			Page	Revision
Checked by			16 / 16	
Date	14/04/2022			

1 2 3 4 5 6

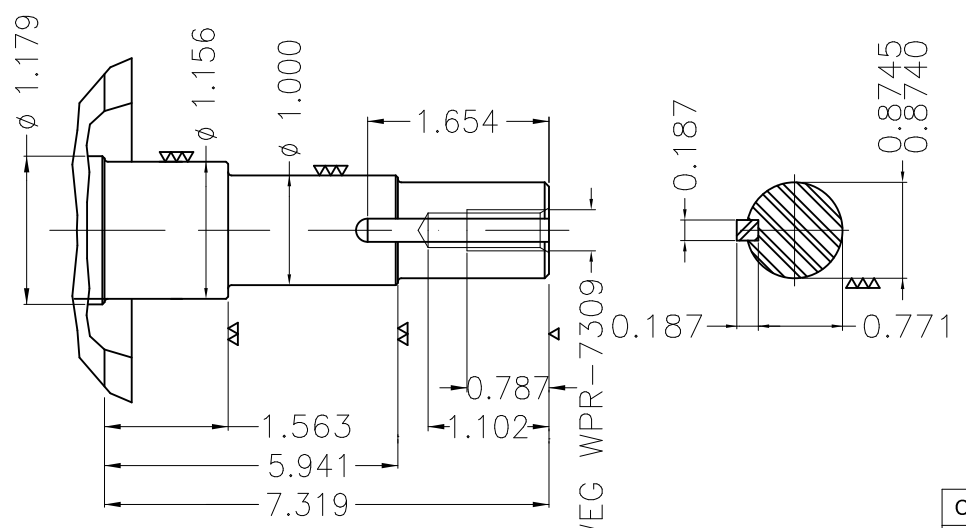
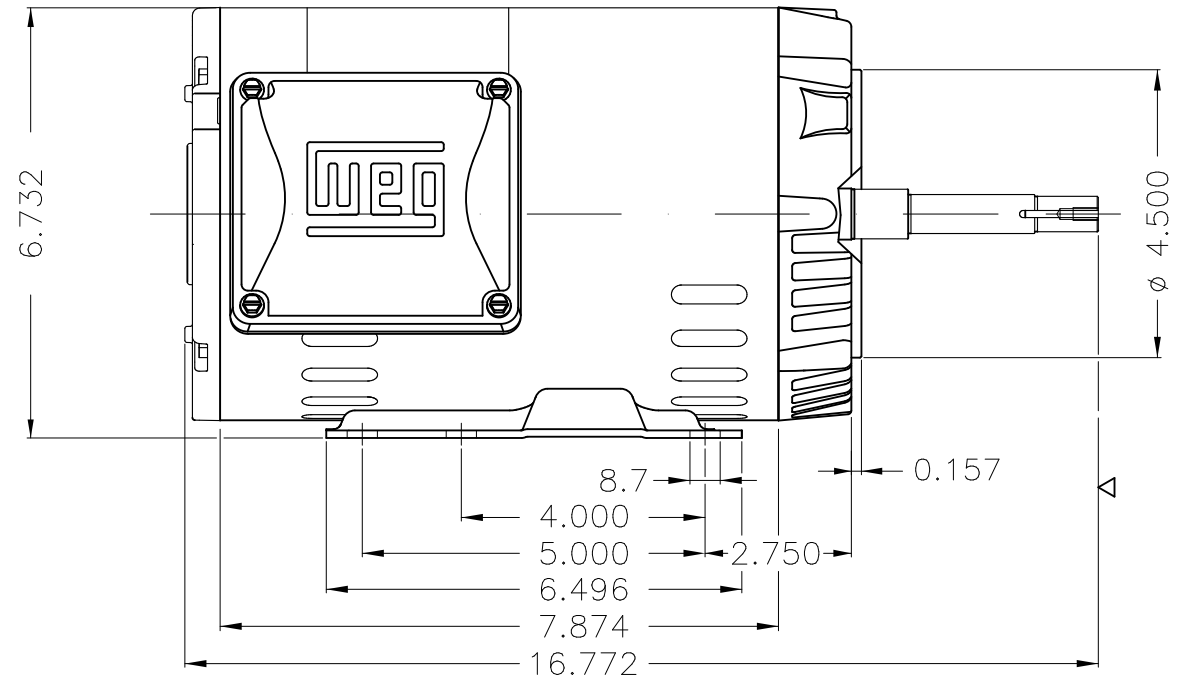
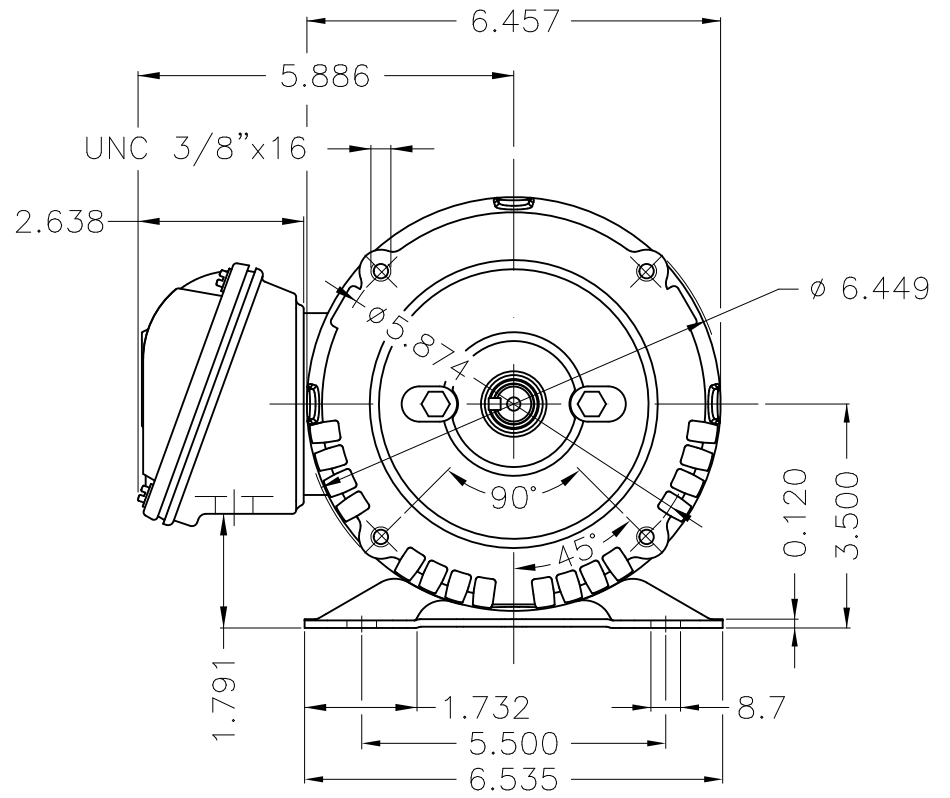
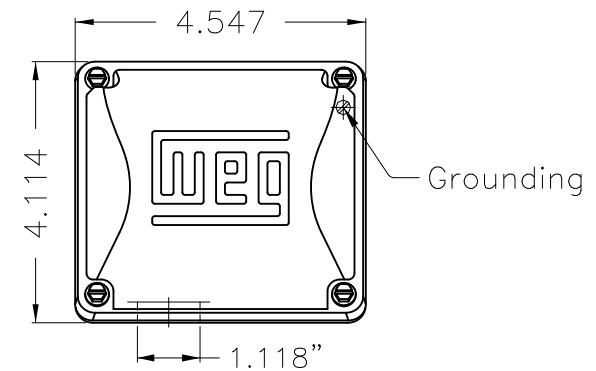
A

B

C

D

E



EUNC 3/8"-16 WEG WPR-7309

DE Shaft End

Color Munsell N 1 matte black									
Painting plan 207N									
Mounting F-1/B34R(D)									
ECM	LOC	SUMMARY OF MODIFICATIONS			EXECUTED	CHECKED	RELEASED	DATE	VER
EXECUTED	PIRWUSER	THREE PH. MOTOR ROLLED STEEL CLOSE COUPLED PUMP JP 3/4 DE PRELIFTS							
CHECKED		FRAME 143/5JP IP21 ODP							
RELEASED									
REL DT.		WMO	Jaragua do Sul	Product Engineering					

PREVIEW

WDD



1 HP 04 Poles 60 Hz



NEMA
Premium



3PT9



Energy Verified

MADE IN MEXICO

MAT: 12682720 CC029A

W01.T00IC0X0N

MODEL 001180T3E143JP-S

01MAR2022 B/N:



PH 3	Hz 60	HP 1.0
FR 143/5.JP		KW 0.75
DUTY CONT.		V 230/460
ALT 1000 m.a.s.l.		A 3.02/1.51
INS CL F AT 80K		SFA 3.47/1.74
AMB 40°C	DES B	SF 1.15
ENCL ODP	CODE L	PF 0.73
USABLE @ 208V 3.34A		RPM 1760
SF1.00		NEMA NOM. EFF 85.5%

ALTERNATE RATING: 1.0HP 50Hz 190-220/380-415V SF1.15
3.44-3.15/1.72-1.67A 1445RPM EFF 82.6% (IE3) IEC 60034-1

Inverter duty motor For 80Hz use on VPWM 1000:1 VT, 5:1 CT

DE 6206-ZZ	ODE 6203-ZZ	MOBIL POLYREX EM
-------------------	--------------------	-------------------------



T1-BLU T2-WHT
 T3-ORG T4-YEL
 T5-BLK T6-GRY
 T7-PNK T8-RED
 T9-BRK RED

INTERCHANGE ANY TWO LINE WIRES TO REVERSE THE ROTATION



WARNING: Motor must be grounded in accordance with local and national electrical codes to prevent serious electrical shocks. Disconnect power source before servicing unit.

AVERTISSEMENT: Le moteur doit être mis à la terre conformément aux codes électriques locaux et nationaux afin d'éviter tout choc électrique grave. Déconnectez l'alimentation avant l'entretien de la machine.

