

# DATA SHEET

## Three Phase Induction Motor - Squirrel Cage



Customer :				
Product line	: Premium Efficiency Three-Phase	Product code :	12809662	
		Catalog # :	00136OT3E56CFL-S	
Frame	: 56C	Cooling method	: IC01 - ODP	
Insulation class	: F	Mounting	: F-1	
Duty cycle	: Cont.(S1)	Rotation <sup>1</sup>	: Both (CW and CCW)	
Ambient temperature	: -20°C to +40°C	Starting method	: Direct On Line	
Altitude	: 1000 m.a.s.l.	Approx. weight <sup>2</sup>	: 20.2 lb	
		Moment of inertia (J)	: 0.0517 sq.ft.lb	
Output [HP]	1	1	1	
Poles	2	2	2	
Frequency [Hz]	60	50	50	
Rated voltage [V]	230/460	190/380	220/415	
Rated current [A]	3.02/1.51	3.50/1.75	3.26/1.73	
L. R. Amperes [A]	19.3/9.66	17.2/8.58	17.0/9.00	
LRC [A]	6.4x(Code J)	4.9x(Code G)	5.2x(Code G)	
No load current [A]	1.60/0.800	1.50/0.750	2.06/1.09	
Rated speed [RPM]	3470	2820	2850	
Slip [%]	3.61	6.00	5.00	
Rated torque [ft.lb]	1.51	1.86	1.84	
Locked rotor torque [%]	229	160	190	
Breakdown torque [%]	260	190	220	
Service factor		1.15	1.15	
Temperature rise	80 K	80 K	80 K	
Locked rotor time	41s (cold) 23s (hot)	39s (cold) 22s (hot)	37s (cold) 21s (hot)	
Noise level <sup>2</sup>	62.0 dB(A)	60.0 dB(A)	60.0 dB(A)	
Efficiency (%)	25%	68.3	73.8	70.3
	50%	70.0	72.9	70.5
	75%	75.5	74.9	74.1
	100%	77.0	73.2	73.7
Power Factor	25%	0.37	0.43	0.35
	50%	0.60	0.69	0.62
	75%	0.73	0.82	0.77
	100%	0.81	0.89	0.85
Bearing type	: Drive end 6204 ZZ Non drive end 6202 ZZ	Foundation loads		
Sealing	: Without Without Bearing Seal Bearing Seal	Max. traction	: 29 lb	
		Max. compression	: 50 lb	
Lubrication interval	: - -			
Lubricant amount	: - -			
Lubricant type	: Mobil Polyrex EM			
Notes USABLE @208V 3.34A SF 1.00 SFA 3.34A				
This revision replaces and cancel the previous one, which must be eliminated. (1) Looking the motor from the shaft end. (2) Measured at 1m and with tolerance of +3dB(A). (3) Approximate weight subject to changes after manufacturing process. (4) At 100% of full load.		These are average values based on tests with sinusoidal power supply, subject to the tolerances stipulated in NEMA MG-1.		
Rev.	Changes Summary	Performed	Checked	Date
Performed by				
Checked by			Page	Revision
Date	11/04/2022		1 /	

# TORQUE AND CURRENT VS SPEED CURVE

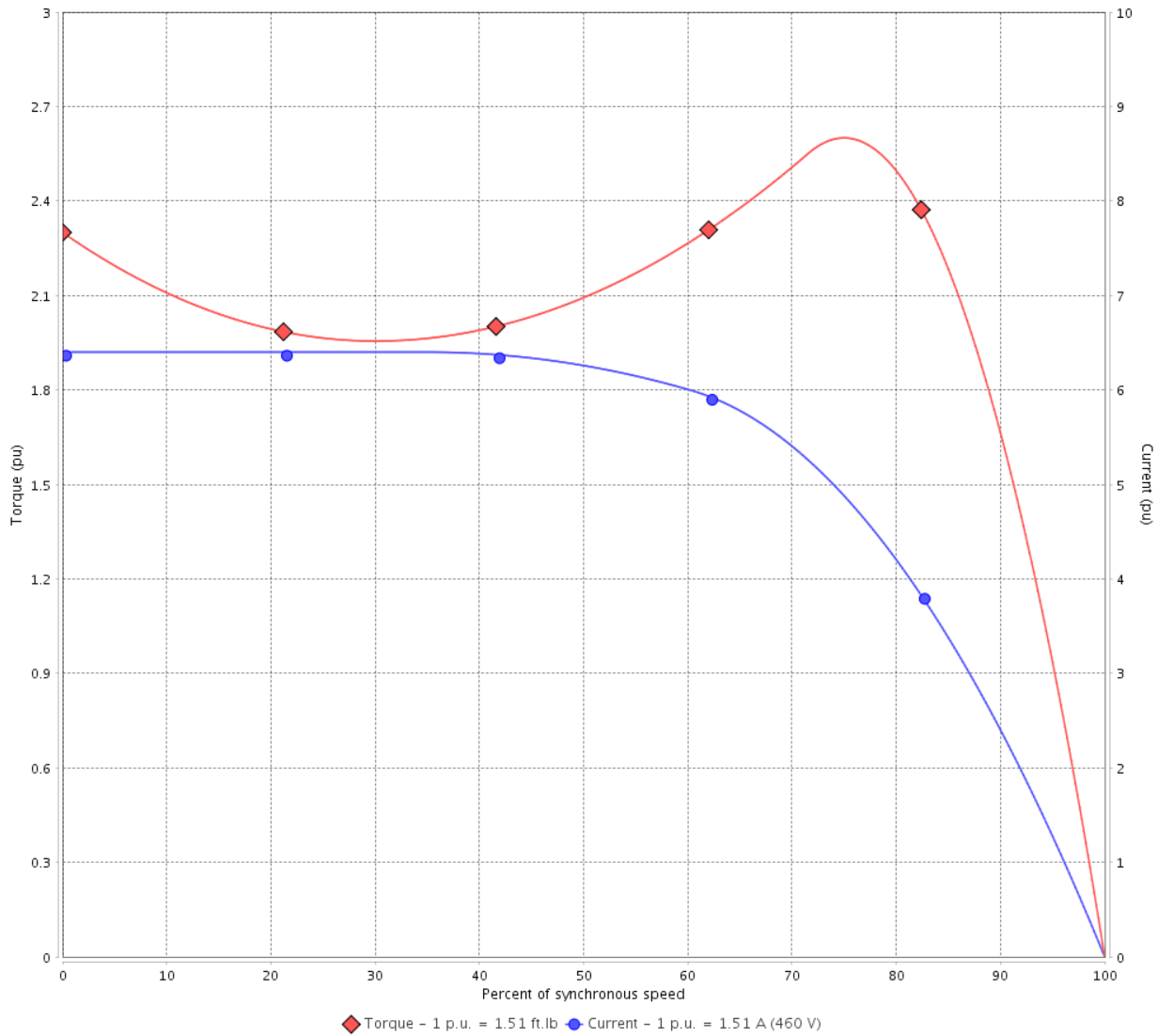
Three Phase Induction Motor - Squirrel Cage



Customer :

Product line : Premium Efficiency Three-Phase      Product code : 12809662  
 Catalog # : 001360T3E56CFL-S

TORQUE AND CURRENT VS SPEED CURVE



Performance : 230/460 V 60 Hz 2P

Rated current	: 3.02/1.51 A	Moment of inertia (J)	: 0.0517 sq.ft.lb
LRC	: 6.4	Duty cycle	: Cont.(S1)
Rated torque	: 1.51 ft.lb	Insulation class	: F
Locked rotor torque	: 229 %	Service factor	:
Breakdown torque	: 260 %	Temperature rise	: 80 K
Rated speed	: 3470 rpm		

Locked rotor time : 41s (cold) 23s (hot)

Rev.	Changes Summary	Performed	Checked	Date
Performed by			Page 2 /	Revision
Checked by				
Date	11/04/2022			

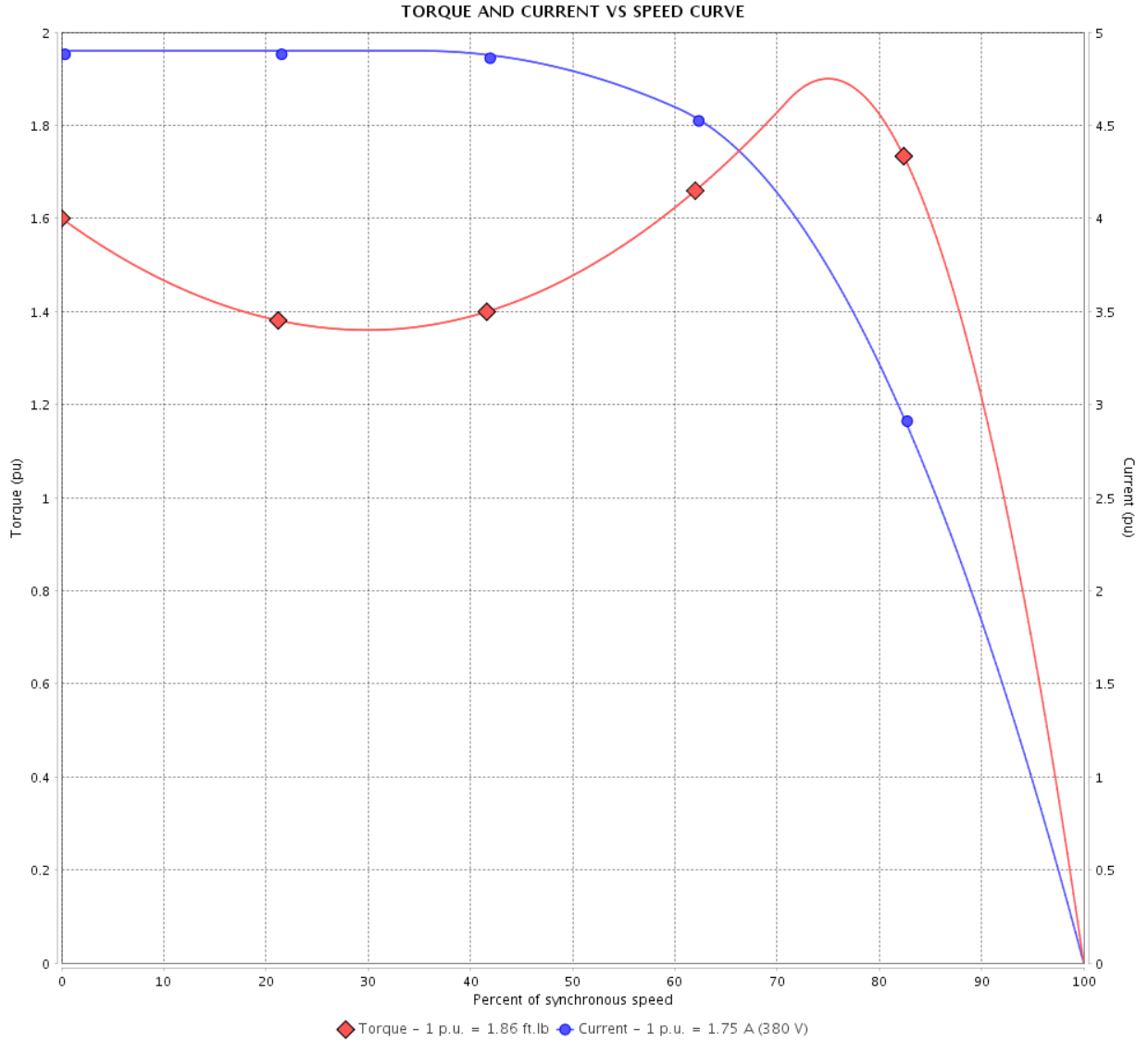
# TORQUE AND CURRENT VS SPEED CURVE



## Three Phase Induction Motor - Squirrel Cage

Customer : \_\_\_\_\_

Product line : Premium Efficiency Three-Phase      Product code : 12809662  
 Catalog # : 00136OT3E56CFL-S



Performance : 190/380 V 50 Hz 2P

Rated current	: 3.50/1.75 A	Moment of inertia (J)	: 0.0517 sq.ft.lb
LRC	: 4.9	Duty cycle	: Cont.(S1)
Rated torque	: 1.86 ft.lb	Insulation class	: F
Locked rotor torque	: 160 %	Service factor	: 1.15
Breakdown torque	: 190 %	Temperature rise	: 80 K
Rated speed	: 2820 rpm		

Locked rotor time : 39s (cold) 22s (hot)

Rev.	Changes Summary	Performed	Checked	Date
Performed by			Page 3 /	Revision
Checked by				
Date	11/04/2022			

# TORQUE AND CURRENT VS SPEED CURVE

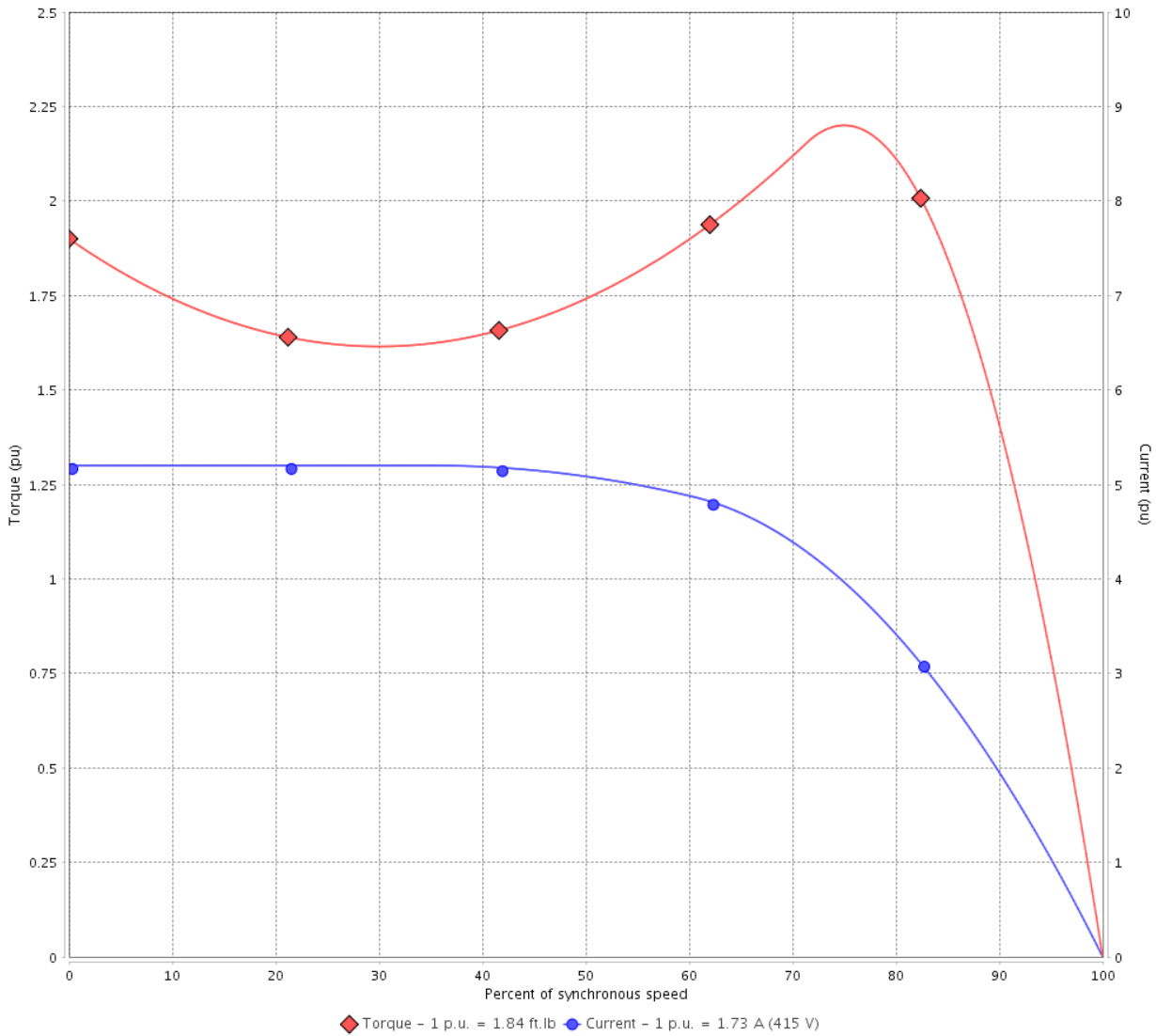
Three Phase Induction Motor - Squirrel Cage



Customer :

Product line : Premium Efficiency Three-Phase      Product code : 12809662  
 Catalog # : 001360T3E56CFL-S

TORQUE AND CURRENT VS SPEED CURVE



Performance : 220/415 V 50 Hz 2P

Rated current	: 3.26/1.73 A	Moment of inertia (J)	: 0.0517 sq.ft.lb
LRC	: 5.2	Duty cycle	: Cont.(S1)
Rated torque	: 1.84 ft.lb	Insulation class	: F
Locked rotor torque	: 190 %	Service factor	: 1.15
Breakdown torque	: 220 %	Temperature rise	: 80 K
Rated speed	: 2850 rpm		

Locked rotor time : 37s (cold) 21s (hot)

Rev.	Changes Summary	Performed	Checked	Date
Performed by			Page 4 /	Revision
Checked by				
Date	11/04/2022			

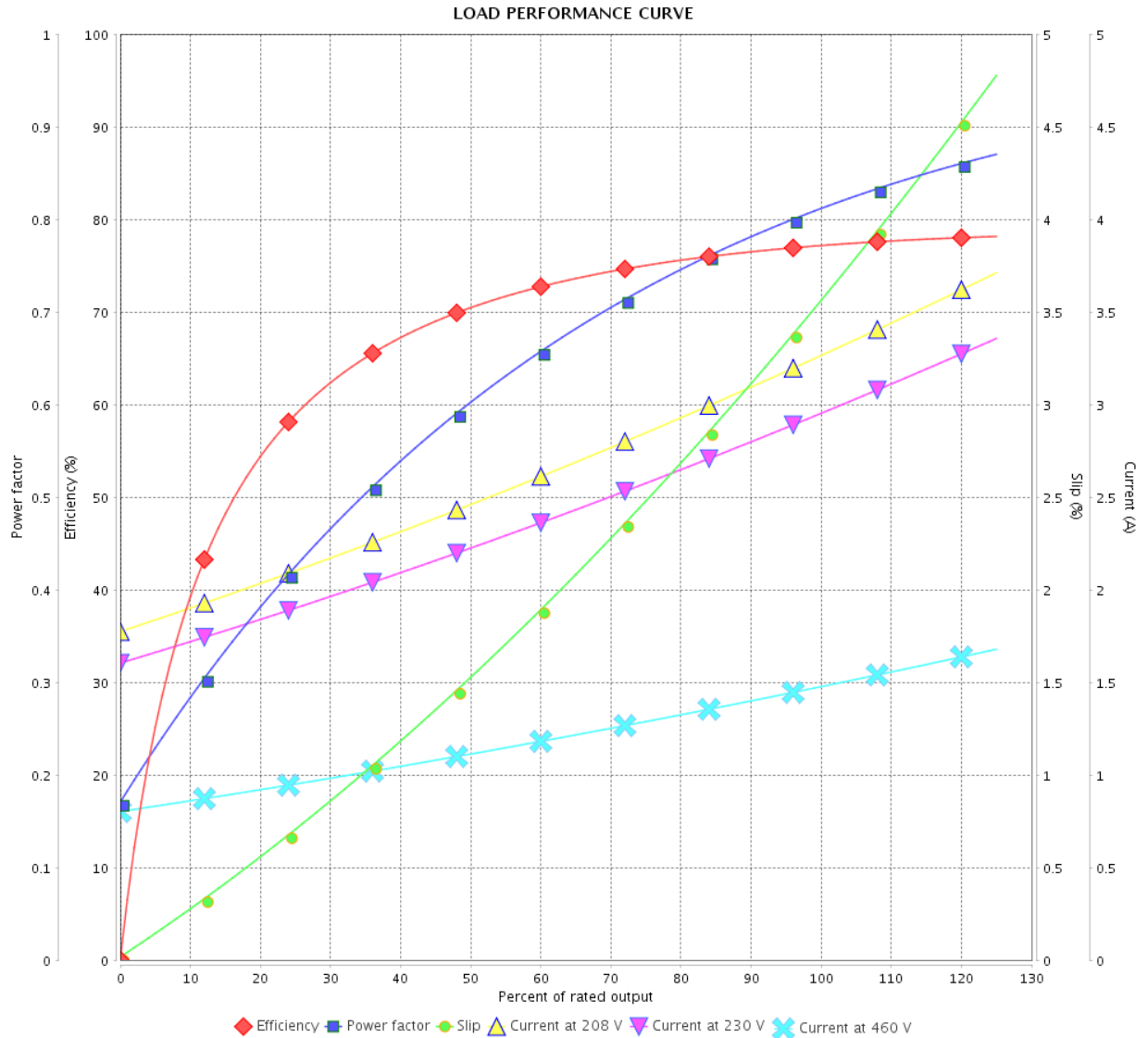
# LOAD PERFORMANCE CURVE

Three Phase Induction Motor - Squirrel Cage



Customer : \_\_\_\_\_

Product line : Premium Efficiency Three-Phase      Product code : 12809662  
 Catalog # : 00136OT3E56CFL-S



Performance : 230/460 V 60 Hz 2P

Rated current : 3.02/1.51 A  
 LRC : 6.4  
 Rated torque : 1.51 ft.lb  
 Locked rotor torque : 229 %  
 Breakdown torque : 260 %  
 Rated speed : 3470 rpm

Moment of inertia (J) : 0.0517 sq.ft.lb  
 Duty cycle : Cont.(S1)  
 Insulation class : F  
 Service factor :  
 Temperature rise : 80 K

Rev.	Changes Summary	Performed	Checked	Date
Performed by		Page		Revision
Checked by		5 /		
Date		11/04/2022		

# LOAD PERFORMANCE CURVE

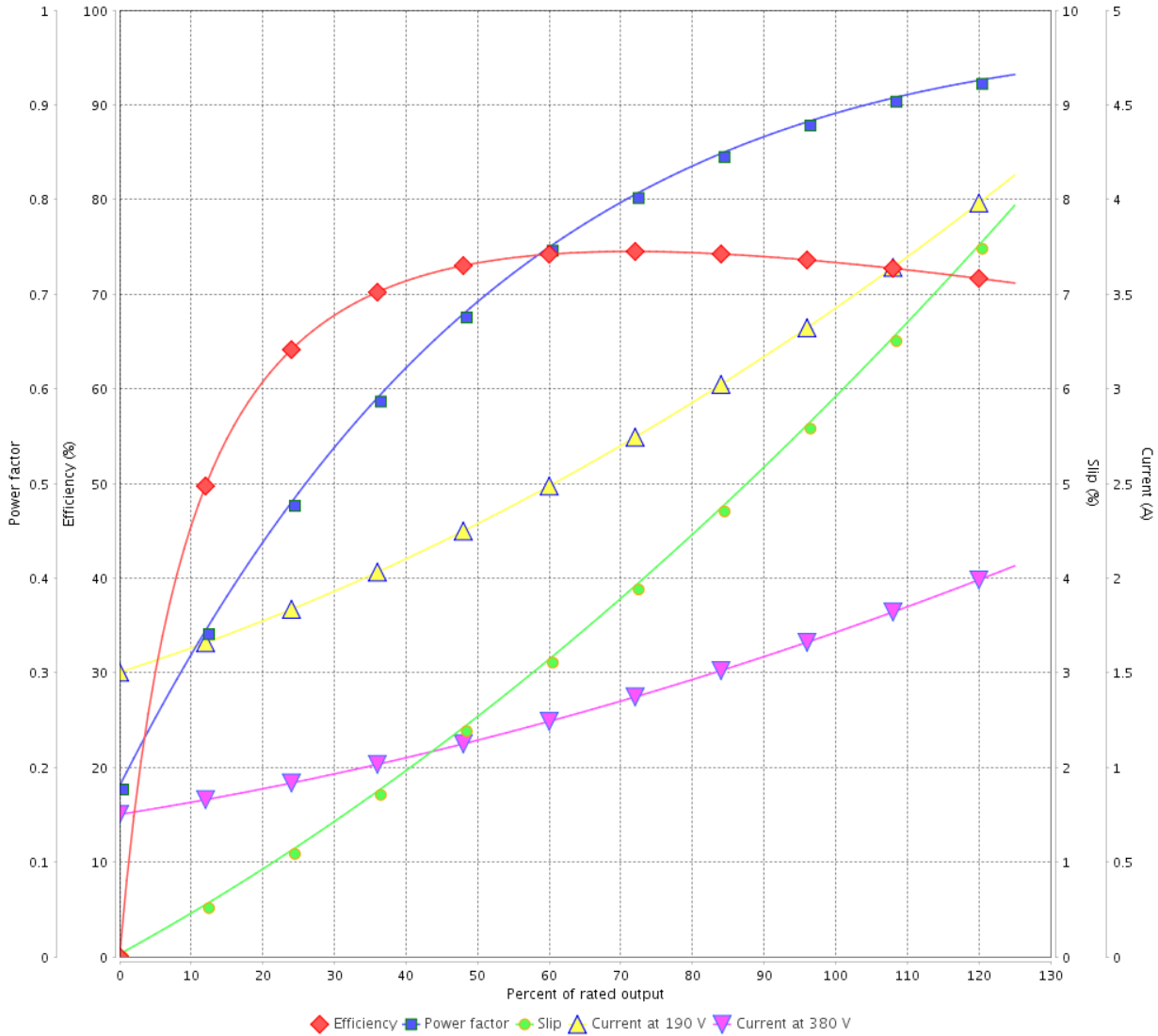
Three Phase Induction Motor - Squirrel Cage



Customer : \_\_\_\_\_

Product line : Premium Efficiency Three-Phase      Product code : 12809662  
 Catalog # : 001360T3E56CFL-S

LOAD PERFORMANCE CURVE



Performance : 190/380 V 50 Hz 2P

Rated current : 3.50/1.75 A  
 LRC : 4.9  
 Rated torque : 1.86 ft.lb  
 Locked rotor torque : 160 %  
 Breakdown torque : 190 %  
 Rated speed : 2820 rpm

Moment of inertia (J) : 0.0517 sq.ft.lb  
 Duty cycle : Cont.(S1)  
 Insulation class : F  
 Service factor : 1.15  
 Temperature rise : 80 K

Rev.	Changes Summary	Performed	Checked	Date
Performed by			Page	Revision
Checked by				
Date				
			6 /	

# LOAD PERFORMANCE CURVE

## Three Phase Induction Motor - Squirrel Cage



Customer : \_\_\_\_\_

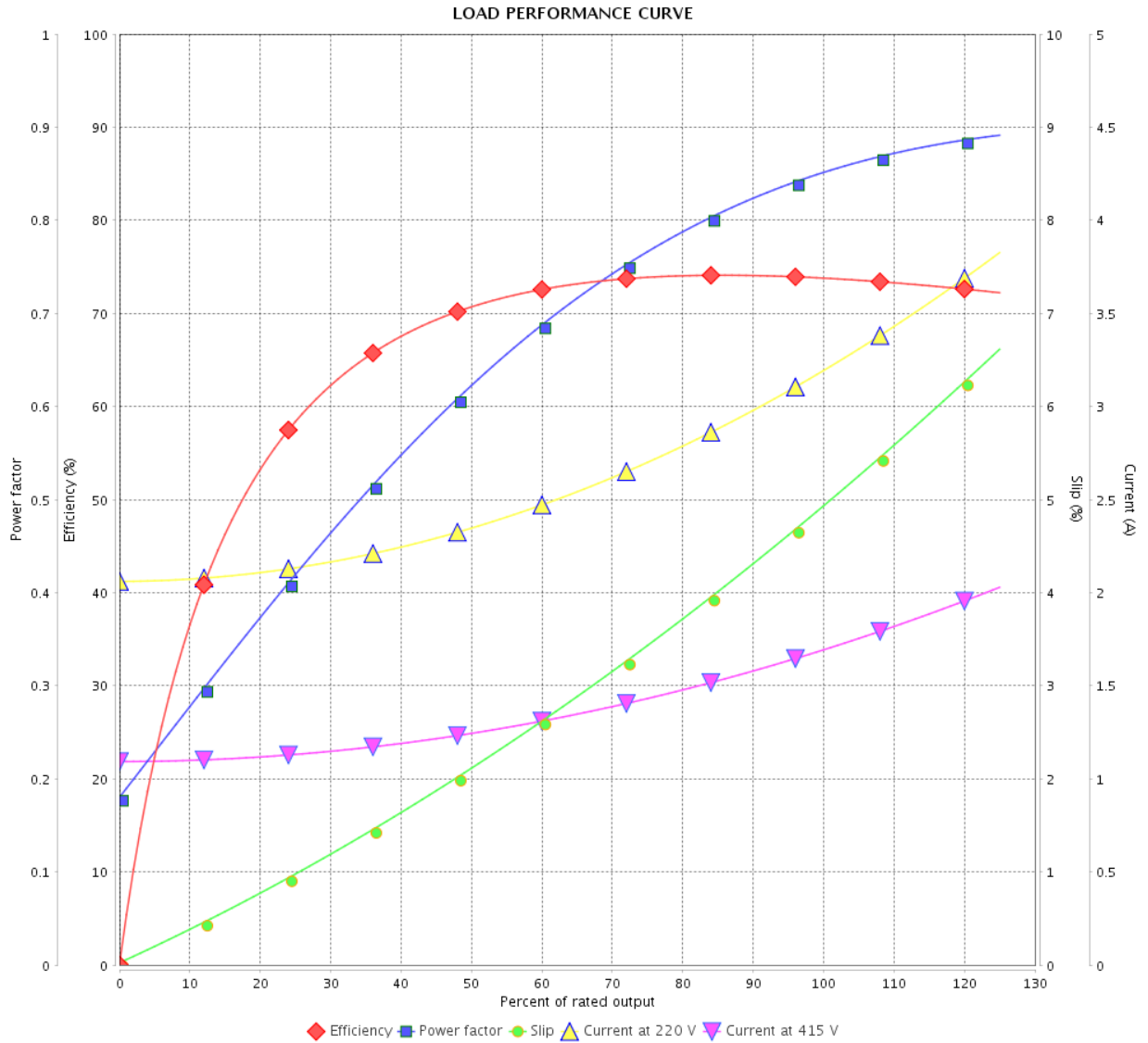
Product line : Premium Efficiency Three-Phase

Product code :

12809662

Catalog # :

00136OT3E56CFL-S



Performance : 220/415 V 50 Hz 2P

Rated current : 3.26/1.73 A  
 LRC : 5.2  
 Rated torque : 1.84 ft.lb  
 Locked rotor torque : 190 %  
 Breakdown torque : 220 %  
 Rated speed : 2850 rpm

Moment of inertia (J) : 0.0517 sq.ft.lb  
 Duty cycle : Cont.(S1)  
 Insulation class : F  
 Service factor : 1.15  
 Temperature rise : 80 K

Rev.	Changes Summary	Performed	Checked	Date
Performed by			Page	Revision
Checked by				
Date				
			7 /	

# THERMAL LIMIT CURVE

## Three Phase Induction Motor - Squirrel Cage



Customer :

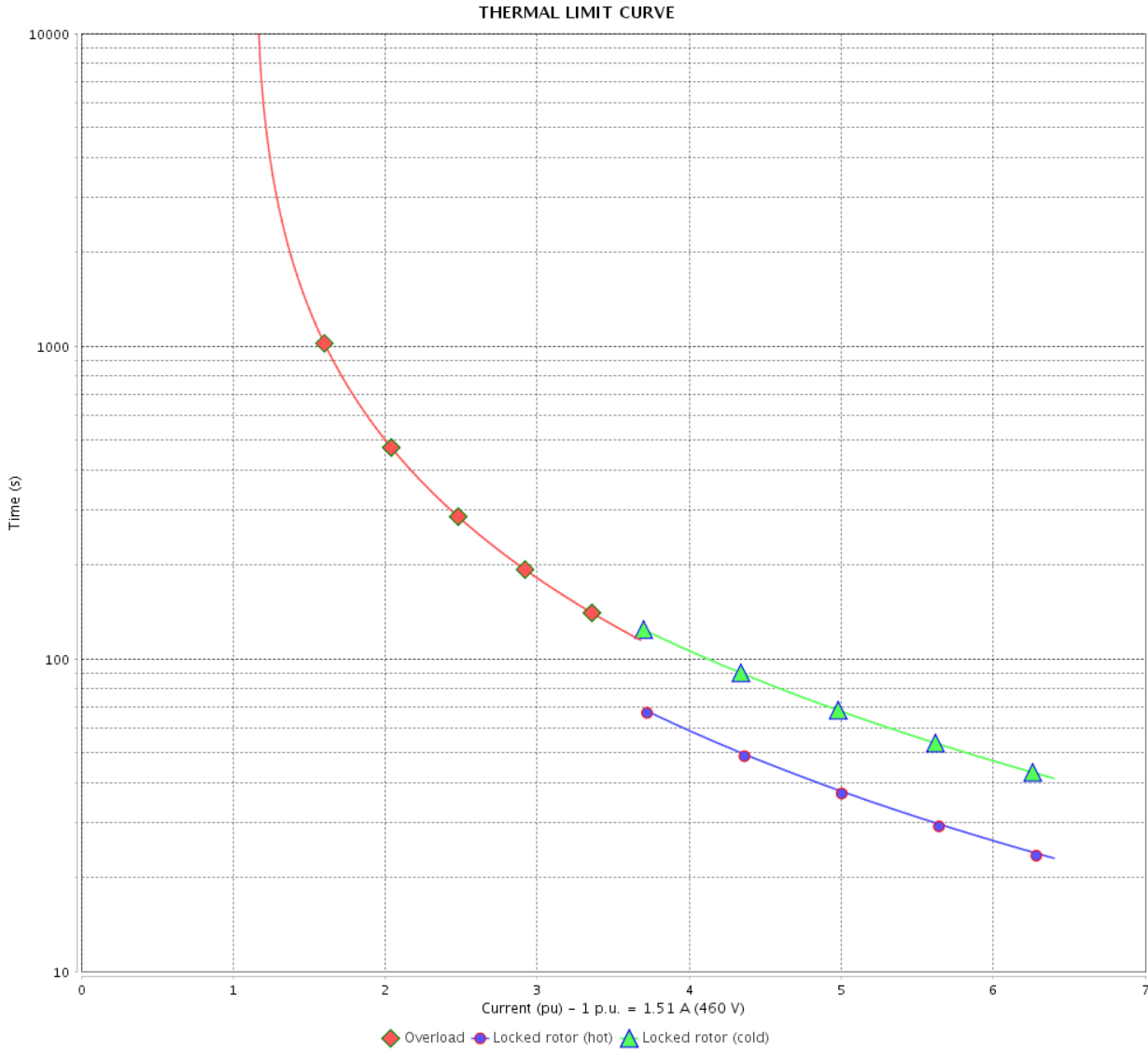
Product line : Premium Efficiency Three-Phase

Product code :

12809662

Catalog # :

00136OT3E56CFL-S



Performance : 230/460 V 60 Hz 2P

Rated current : 3.02/1.51 A  
 LRC : 6.4  
 Rated torque : 1.51 ft.lb  
 Locked rotor torque : 229 %  
 Breakdown torque : 260 %  
 Rated speed : 3470 rpm

Moment of inertia (J) : 0.0517 sq.ft.lb  
 Duty cycle : Cont.(S1)  
 Insulation class : F  
 Service factor :  
 Temperature rise : 80 K

Heating constant

Cooling constant

Rev.	Changes Summary	Performed	Checked	Date
Performed by			Page	Revision
Checked by				
Date	11/04/2022			
			8 /	



# THERMAL LIMIT CURVE

Three Phase Induction Motor - Squirrel Cage



Customer : \_\_\_\_\_

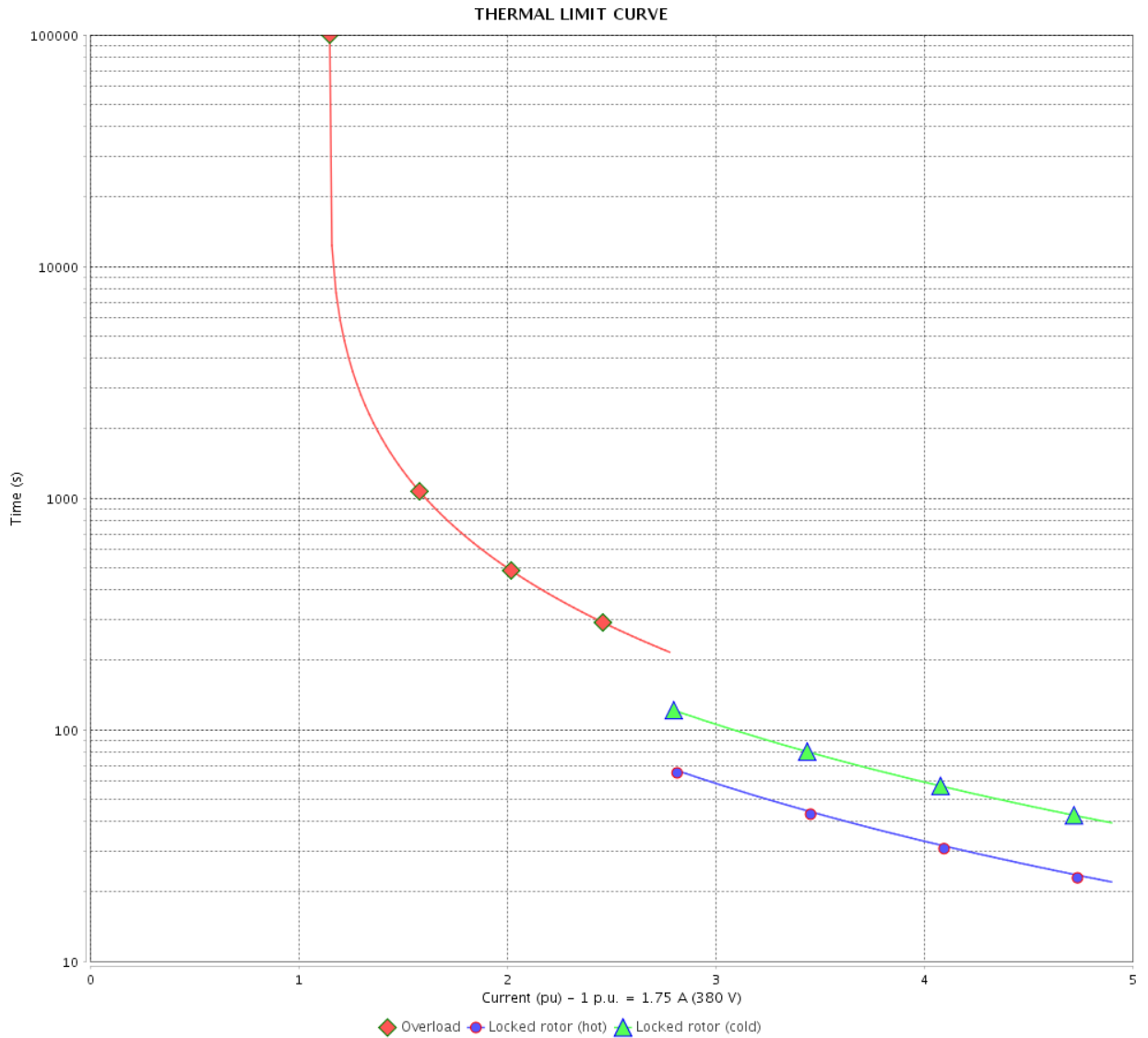
Product line : Premium Efficiency Three-Phase

Product code :

12809662

Catalog # :

00136OT3E56CFL-S



Performance : 190/380 V 50 Hz 2P

Rated current : 3.50/1.75 A  
 LRC : 4.9  
 Rated torque : 1.86 ft.lb  
 Locked rotor torque : 160 %  
 Breakdown torque : 190 %  
 Rated speed : 2820 rpm

Moment of inertia (J) : 0.0517 sq.ft.lb  
 Duty cycle : Cont.(S1)  
 Insulation class : F  
 Service factor : 1.15  
 Temperature rise : 80 K

Heating constant

Cooling constant

Rev.	Changes Summary	Performed	Checked	Date	
Performed by					
Checked by					
Date					11/04/2022
		Page	Revision		
		9 /			

# THERMAL LIMIT CURVE

## Three Phase Induction Motor - Squirrel Cage



Customer : \_\_\_\_\_

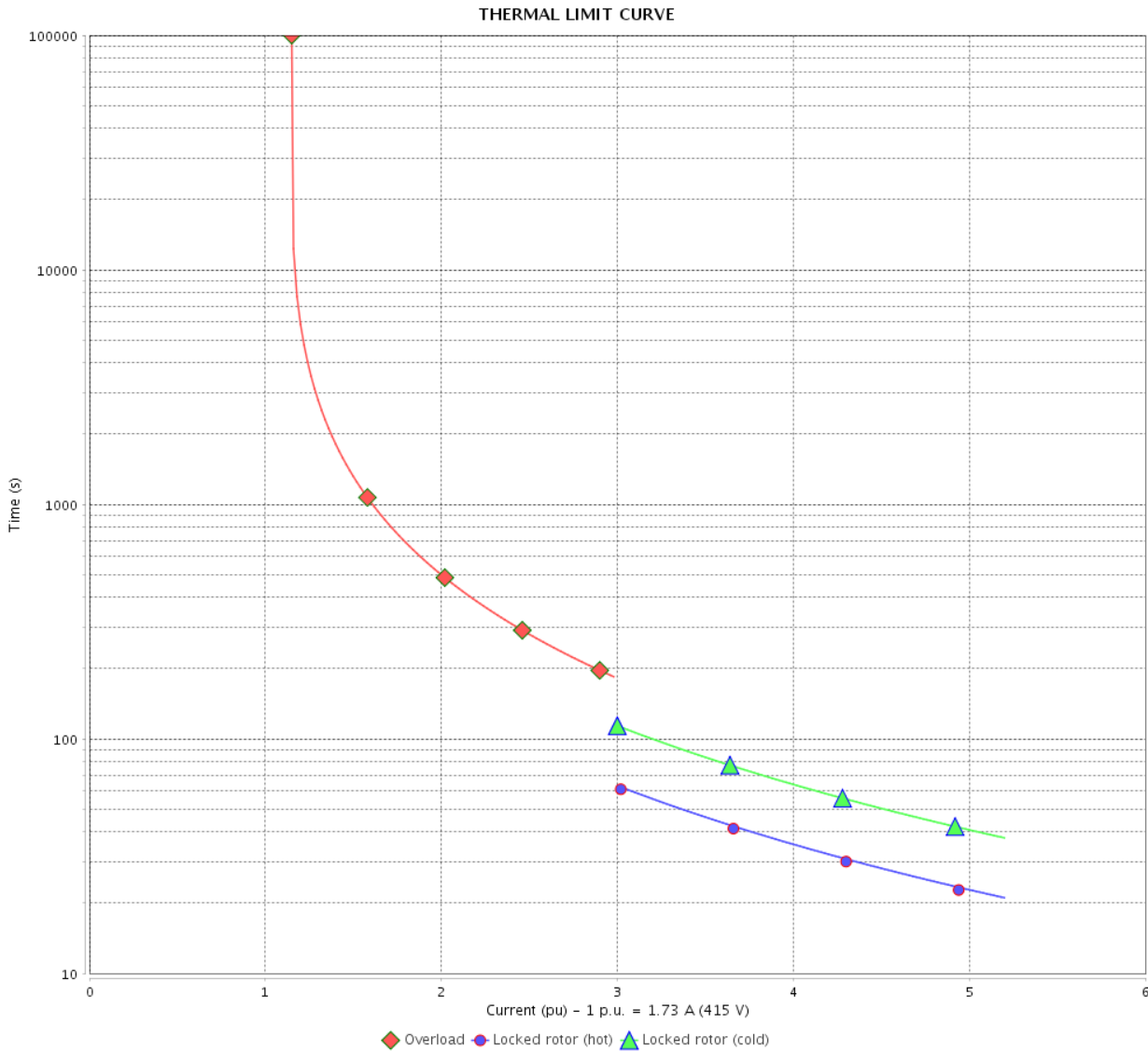
Product line : Premium Efficiency Three-Phase

Product code :

12809662

Catalog # :

001360T3E56CFL-S



Performance : 220/415 V 50 Hz 2P

Rated current : 3.26/1.73 A  
 LRC : 5.2  
 Rated torque : 1.84 ft.lb  
 Locked rotor torque : 190 %  
 Breakdown torque : 220 %  
 Rated speed : 2850 rpm

Moment of inertia (J) : 0.0517 sq.ft.lb  
 Duty cycle : Cont.(S1)  
 Insulation class : F  
 Service factor : 1.15  
 Temperature rise : 80 K

Heating constant

Cooling constant

Rev.	Changes Summary	Performed	Checked	Date
Performed by	11/04/2022	Page		Revision
Checked by		10 /		
Date				

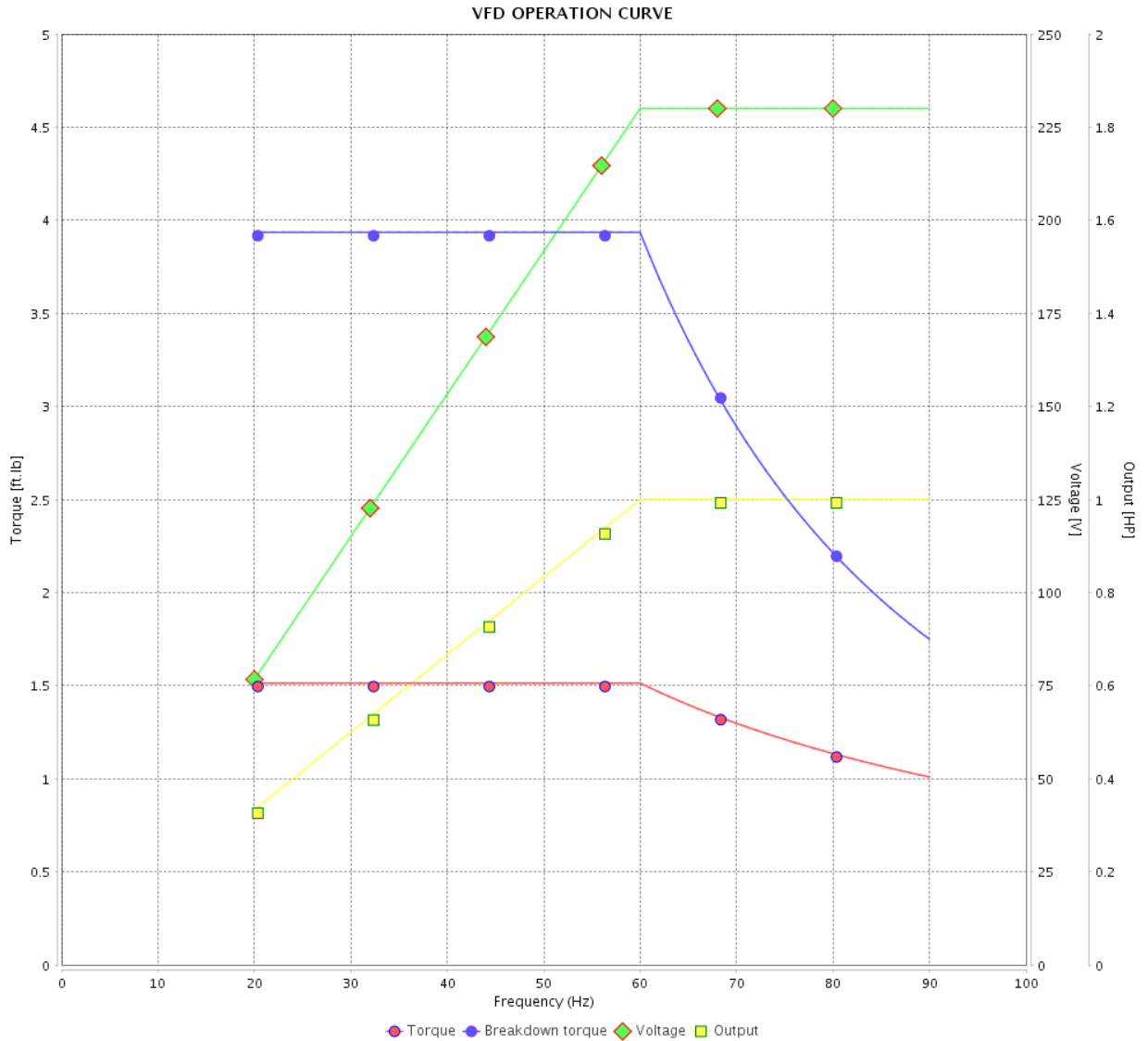
# VFD OPERATION CURVE

## Three Phase Induction Motor - Squirrel Cage



Customer : \_\_\_\_\_

Product line : Premium Efficiency Three-Phase      Product code : 12809662  
 Catalog # : \_\_\_\_\_      Catalog # : 00136OT3E56CFL-S



Performance : 230/460 V 60 Hz 2P

Rated current : 3.02/1.51 A  
 LRC : 6.4  
 Rated torque : 1.51 ft.lb  
 Locked rotor torque : 229 %  
 Breakdown torque : 260 %  
 Rated speed : 3470 rpm

Moment of inertia (J) : 0.0517 sq.ft.lb  
 Duty cycle : Cont.(S1)  
 Insulation class : F  
 Service factor :  
 Temperature rise : 80 K

Rev.	Changes Summary	Performed	Checked	Date
Performed by		Page		Revision
Checked by		11 /		
Date		11/04/2022		

1 2 3 4 5 6

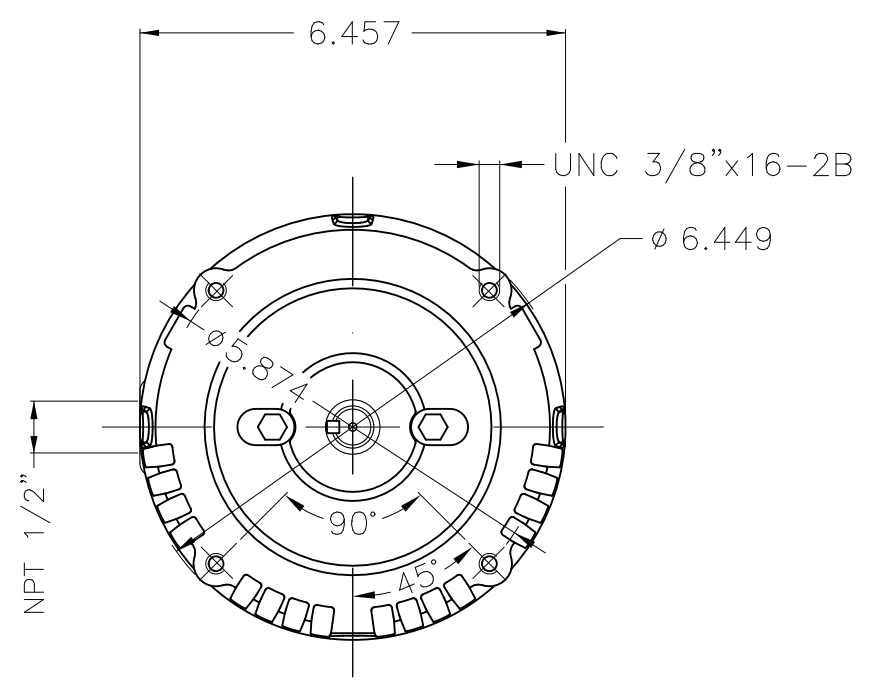
A

B

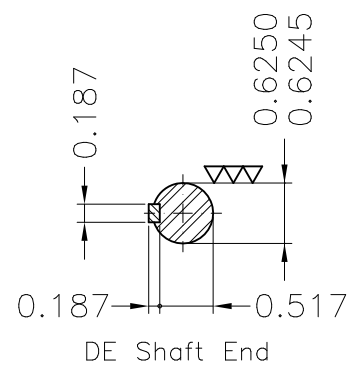
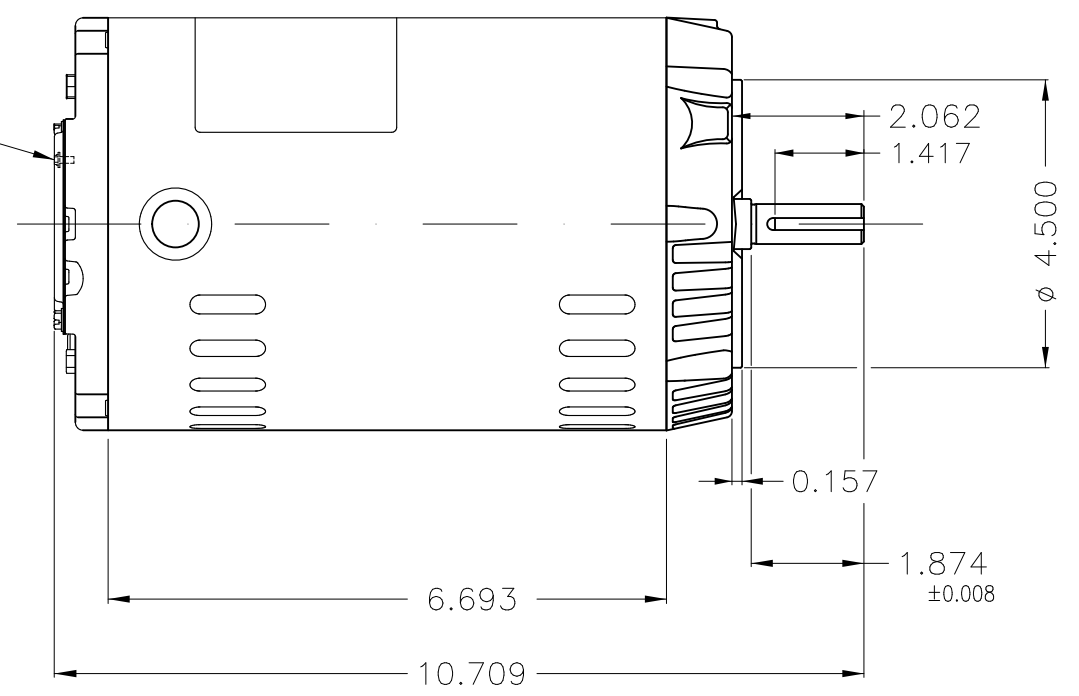
C

D

E



Grounding



Dimensions in inches

Without coating										
Mounting F-1/B14R(D)										
ECM	LOC	SUMMARY OF MODIFICATIONS				EXECUTED	CHECKED	RELEASED	DATE	VER
EXECUTED	PIRWUSER	THREE PH. MOTOR ROLLED STEEL PREM. EFF.				PREVIEW	WDD	SHEET	1 / 1	
CHECKED		FRAME 56C IP21 ODP								
RELEASED										
REL DT.		WMO	Jaragua do Sul	Product Engineering						

1 HP 02 Poles 60 Hz

A

WEG's property. Forbidden reproduction without previous authorization.

XME A3



**NEMA**  
**Premium**



3PT9



Energy Verified

MADE IN MEXICO

**MAT: 12809662**

**W01.T00IC0X0X**

**MODEL 001360T3E56CFL-S**

**14FEB2022 B/N:**

<b>PH 3</b>	<b>Hz 60</b>	<b>HP 1.0</b>
<b>FR 56C</b>		<b>KW 0.75</b>
<b>DUTY CONT.</b>		<b>V 230/460</b>
<b>ALT 1000 m.a.s.l.</b>		<b>A 3.02/1.51</b>
<b>INS CL F AT 80K</b>		<b>SFA 3.77/1.89</b>
<b>AMB 40°C</b>	<b>DES -</b>	<b>SF 1.25</b>
<b>ENCL ODP</b>	<b>CODE J</b>	<b>PF 0.81</b>
<b>USABLE @ 208V 3.34A</b>		<b>RPM 3470</b>
<b>SF1.00</b>		<b>NEMA NOM. EFF 77.0%</b>

**ALTERNATE RATING: 1.0HP 50Hz 190-220/380-415V SF1.15**  
**3.50-3.30/1.75-1.75A 2820RPM EFF 73.2% (IE1) IEC 60034-1**

Inverter duty motor For 80Hz use on VPWM 1000:1 VT, 3:1 CT

<b>DE 6204-ZZ</b>	<b>ODE 6202-ZZ</b>	<b>MOBIL POLYREX EM</b>
-------------------	--------------------	-------------------------



T1-BLU T2-WHT  
 T3-ORG T4-YEL  
 T5-BLK T6-GRY  
 T7-PNK T8-RED  
 T9-BRK RED

INTERCHANGE ANY TWO LINE WIRES TO REVERSE THE ROTATION



**WARNING:** Motor must be grounded in accordance with local and national electrical codes to prevent serious electrical shocks. Disconnect power source before servicing unit.

**AVERTISSEMENT:** Le moteur doit être mis à la terre

conformément aux codes électriques locaux et nationaux afin d'éviter tout choc électrique grave. Déconnectez l'alimentation avant l'entretien de la machine.

