

DATA SHEET



Three Phase Induction Motor - Squirrel Cage

Customer	:		
Product line	: JM Pump NEMA Premium Efficiency Three-Phase	Product code :	13482590
		Catalog # :	00152OT3E182JMV-S
Frame	: 182/4JM	Cooling method	: IC01 - ODP
Insulation class	: F	Mounting	: W-6
Duty cycle	: Cont.(S1)	Rotation ¹	: Both (CW and CCW)
Ambient temperature	: -20°C to +40°C	Starting method	: Direct On Line
Altitude	: 1000 m.a.s.l.	Approx. weight ²	: 62.9 lb
Design	: B	Moment of inertia (J)	: 0.2178 sq.ft.lb
Output [HP]	1.5	1.5	1.5
Poles	6	6	6
Frequency [Hz]	60	50	50
Rated voltage [V]	230/460	190/380	220/415
Rated current [A]	4.50/2.25	5.24/2.62	4.79/2.54
L. R. Amperes [A]	29.3/14.6	27.2/13.6	27.3/14.5
LRC [A]	6.5x(Code J)	5.2x(Code G)	5.7x(Code H)
No load current [A]	2.74/1.37	2.69/1.35	2.80/1.49
Rated speed [RPM]	1165	950	955
Slip [%]	2.92	5.00	4.50
Rated torque [ft.lb]	6.76	8.29	8.25
Locked rotor torque [%]	200	160	190
Breakdown torque [%]	310	220	260
Service factor	1.15	1.15	1.15
Temperature rise	80 K	80 K	80 K
Locked rotor time	82s (cold) 46s (hot)	0s (cold) 0s (hot)	0s (cold) 0s (hot)
Noise level ²	52.0 dB(A)	50.0 dB(A)	50.0 dB(A)
Efficiency (%)	25%	82.8	82.3
	50%	84.0	82.3
	75%	85.5	84.0
	100%	86.5	83.5
Power Factor	25%	0.29	0.31
	50%	0.51	0.54
	75%	0.63	0.67
	100%	0.71	0.75
Bearing type	: <u>Drive end</u> 6207 ZZ <u>Non drive end</u> 6205 ZZ	Foundation loads	
Sealing	: Without Without Bearing Seal Bearing Seal	Max. traction	: 105 lb
		Max. compression	: 168 lb
Lubrication interval	: - -		
Lubricant amount	: - -		
Lubricant type	: Mobil Polyrex EM		
Notes USABLE @208V 4.98A SF 1.00 SFA 4.98A			
This revision replaces and cancel the previous one, which must be eliminated. (1) Looking the motor from the shaft end. (2) Measured at 1m and with tolerance of +3dB(A). (3) Approximate weight subject to changes after manufacturing process. (4) At 100% of full load.		These are average values based on tests with sinusoidal power supply, subject to the tolerances stipulated in NEMA MG-1.	
Rev.	Changes Summary	Performed	Checked
			Date
Performed by			
Checked by			Page
Date	12/04/2022		Revision
			1 / 16

TORQUE AND CURRENT VS SPEED CURVE

Three Phase Induction Motor - Squirrel Cage



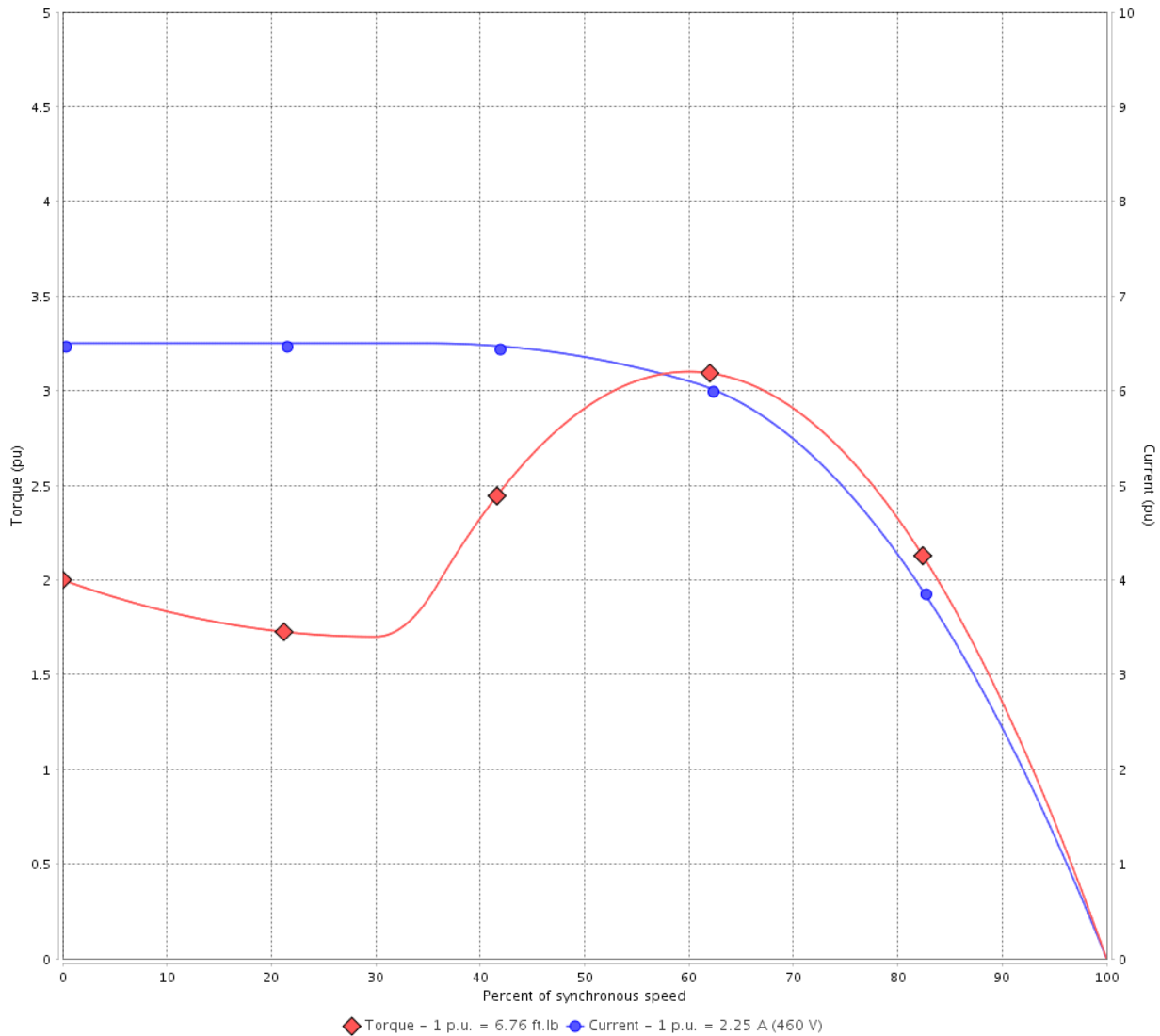
Customer :

Product line : JM Pump NEMA Premium
Efficiency Three-Phase

Product code : 13482590

Catalog # : 001520T3E182JMV-S

TORQUE AND CURRENT VS SPEED CURVE



Performance : 230/460 V 60 Hz 6P

Rated current : 4.50/2.25 A
LRC : 6.5
Rated torque : 6.76 ft.lb
Locked rotor torque : 200 %
Breakdown torque : 310 %
Rated speed : 1165 rpm

Moment of inertia (J) : 0.2178 sq.ft.lb
Duty cycle : Cont.(S1)
Insulation class : F
Service factor : 1.15
Temperature rise : 80 K
Design : B

Locked rotor time : 82s (cold) 46s (hot)

Rev.	Changes Summary	Performed	Checked	Date
Performed by			Page 2 / 16	Revision
Checked by				
Date	12/04/2022			

TORQUE AND CURRENT VS SPEED CURVE



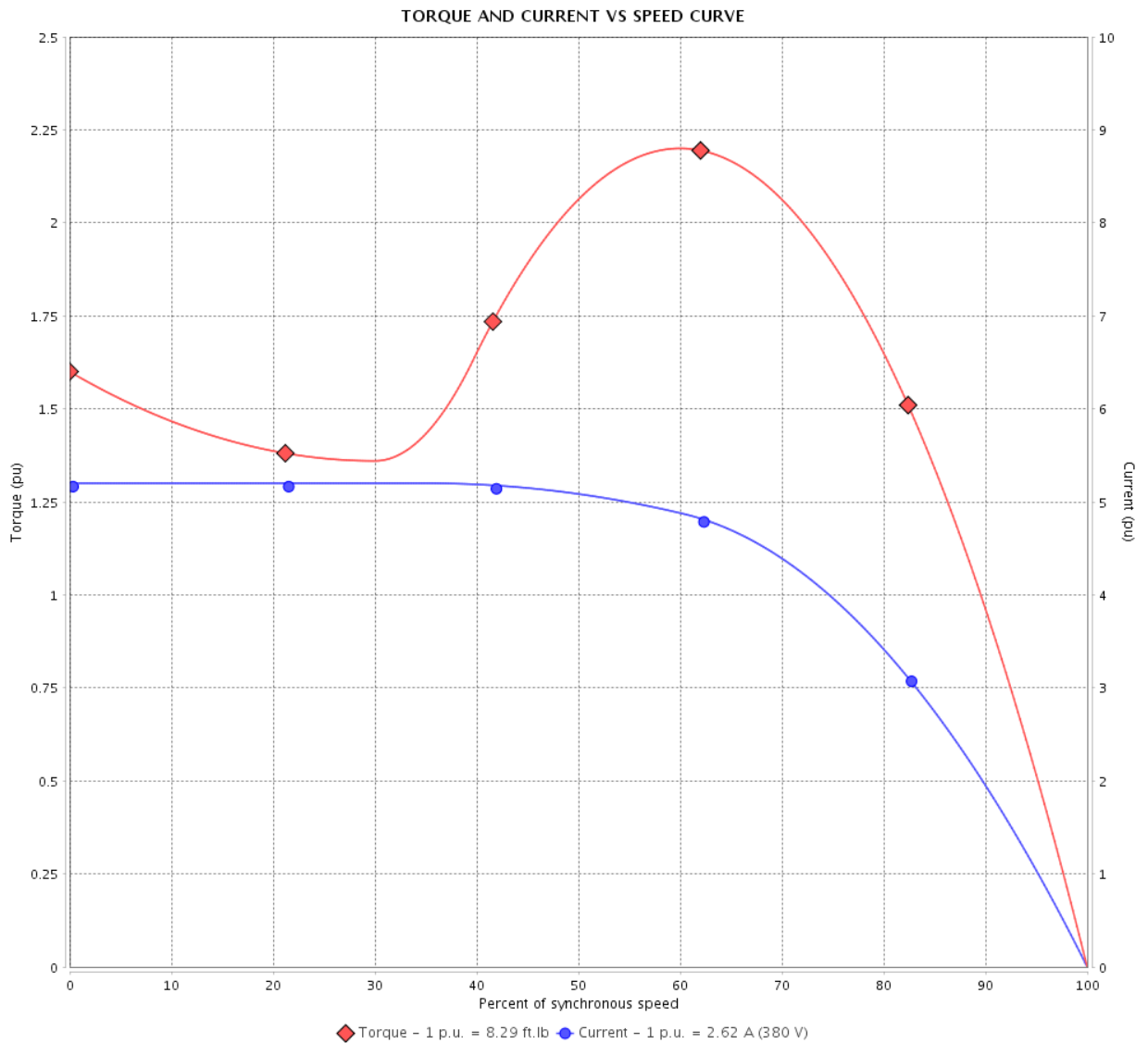
Three Phase Induction Motor - Squirrel Cage

Customer :

Product line : JM Pump NEMA Premium Efficiency Three-Phase

Product code : 13482590

Catalog # : 00152OT3E182JMV-S



Performance : 190/380 V 50 Hz 6P

Rated current : 5.24/2.62 A
 LRC : 5.2
 Rated torque : 8.29 ft.lb
 Locked rotor torque : 160 %
 Breakdown torque : 220 %
 Rated speed : 950 rpm

Moment of inertia (J) : 0.2178 sq.ft.lb
 Duty cycle : Cont.(S1)
 Insulation class : F
 Service factor : 1.15
 Temperature rise : 80 K
 Design : B

Locked rotor time : 0s (cold) 0s (hot)

Rev.	Changes Summary	Performed	Checked	Date
Performed by			Page 3 / 16	Revision
Checked by				
Date	12/04/2022			

TORQUE AND CURRENT VS SPEED CURVE

Three Phase Induction Motor - Squirrel Cage



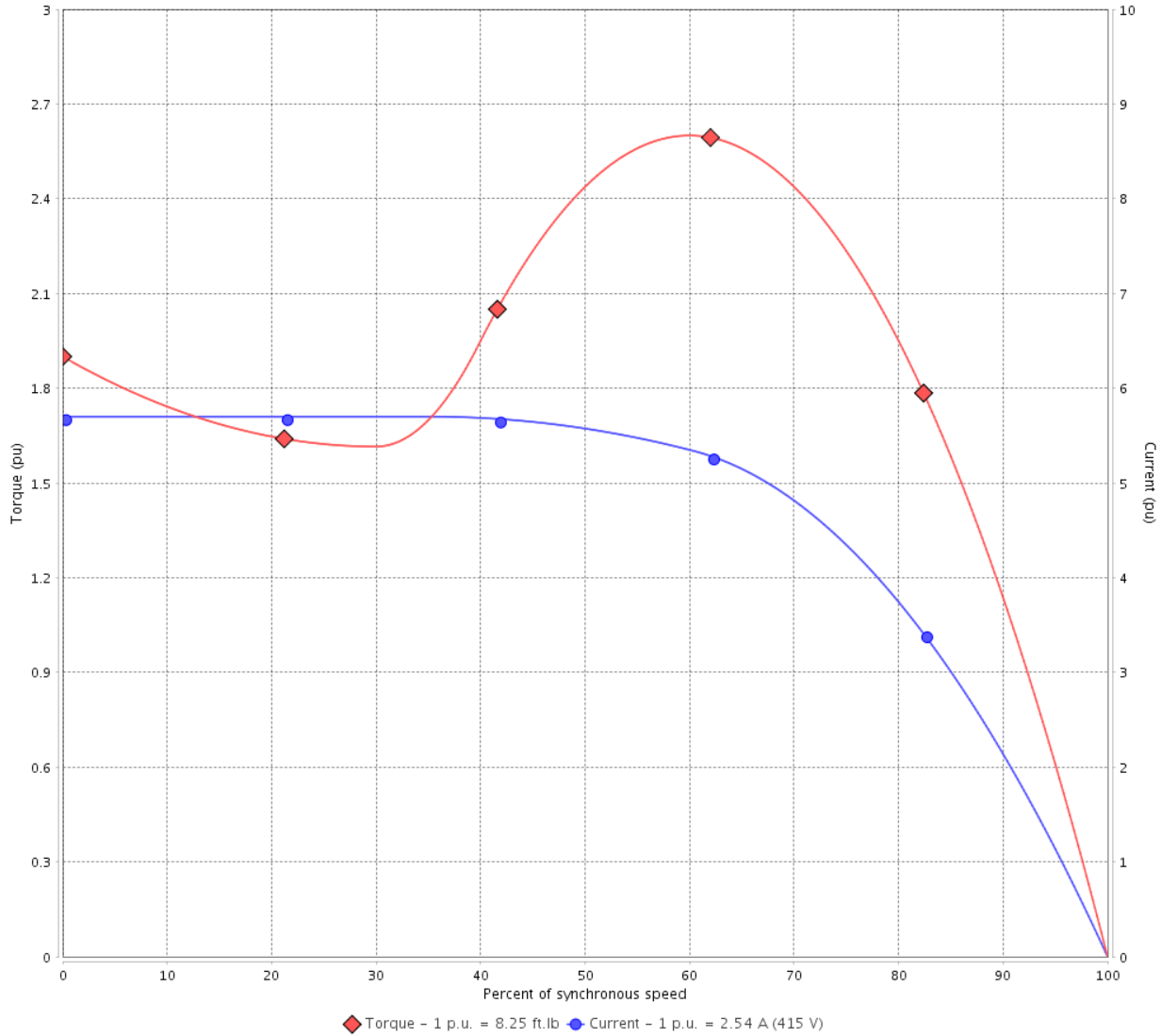
Customer :

Product line : JM Pump NEMA Premium
Efficiency Three-Phase

Product code : 13482590

Catalog # : 001520T3E182JMV-S

TORQUE AND CURRENT VS SPEED CURVE



Performance : 220/415 V 50 Hz 6P

Rated current : 4.79/2.54 A
LRC : 5.7
Rated torque : 8.25 ft.lb
Locked rotor torque : 190 %
Breakdown torque : 260 %
Rated speed : 955 rpm

Moment of inertia (J) : 0.2178 sq.ft.lb
Duty cycle : Cont.(S1)
Insulation class : F
Service factor : 1.15
Temperature rise : 80 K
Design : B

Locked rotor time : 0s (cold) 0s (hot)

Rev.	Changes Summary	Performed	Checked	Date
Performed by			Page 4 / 16	Revision
Checked by				
Date	12/04/2022			

LOAD PERFORMANCE CURVE

Three Phase Induction Motor - Squirrel Cage

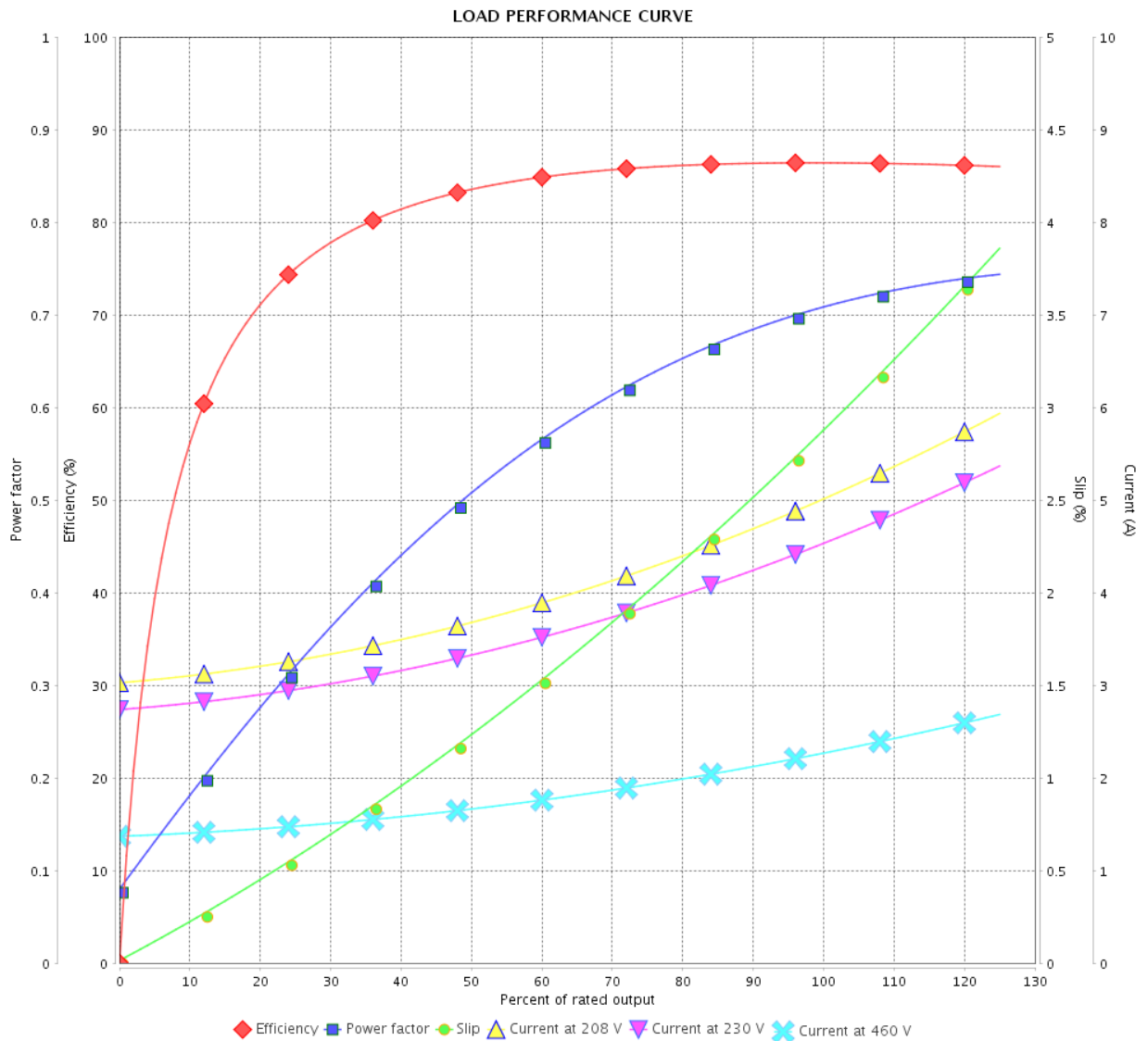


Customer :

Product line : JM Pump NEMA Premium Efficiency Three-Phase

Product code : 13482590

Catalog # : 00152OT3E182JMV-S



Performance : 230/460 V 60 Hz 6P

Rated current : 4.50/2.25 A
 LRC : 6.5
 Rated torque : 6.76 ft.lb
 Locked rotor torque : 200 %
 Breakdown torque : 310 %
 Rated speed : 1165 rpm

Moment of inertia (J) : 0.2178 sq.ft.lb
 Duty cycle : Cont.(S1)
 Insulation class : F
 Service factor : 1.15
 Temperature rise : 80 K
 Design : B

Rev.	Changes Summary	Performed	Checked	Date
Performed by			Page	Revision
Checked by				
Date				

LOAD PERFORMANCE CURVE

Three Phase Induction Motor - Squirrel Cage



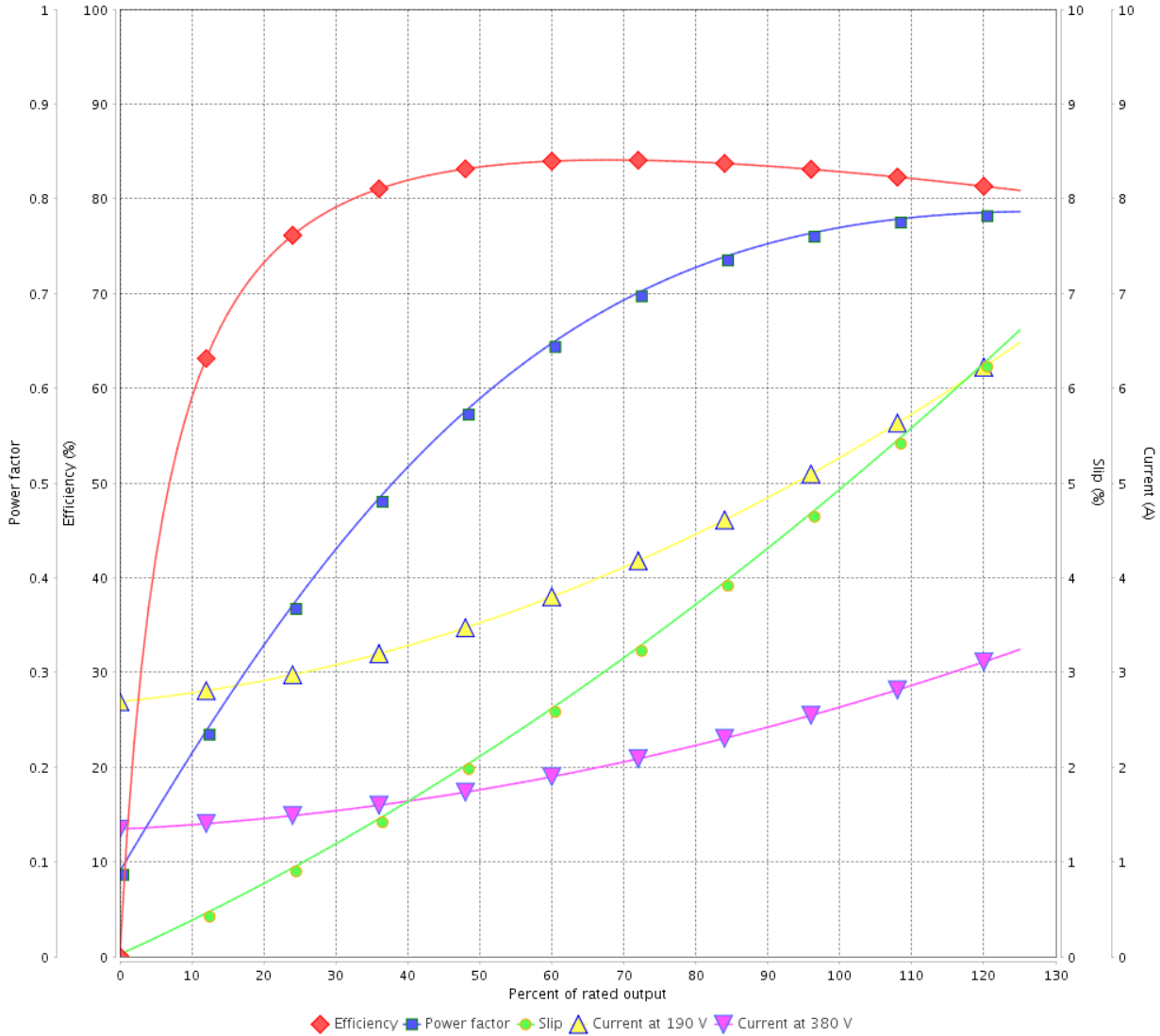
Customer :

Product line : JM Pump NEMA Premium
Efficiency Three-Phase

Product code : 13482590

Catalog # : 001520T3E182JMV-S

LOAD PERFORMANCE CURVE



Performance : 190/380 V 50 Hz 6P

Rated current : 5.24/2.62 A
LRC : 5.2
Rated torque : 8.29 ft.lb
Locked rotor torque : 160 %
Breakdown torque : 220 %
Rated speed : 950 rpm

Moment of inertia (J) : 0.2178 sq.ft.lb
Duty cycle : Cont.(S1)
Insulation class : F
Service factor : 1.15
Temperature rise : 80 K
Design : B

Rev.	Changes Summary	Performed	Checked	Date
Performed by			Page	Revision
Checked by			6 / 16	
Date	12/04/2022			

LOAD PERFORMANCE CURVE

Three Phase Induction Motor - Squirrel Cage

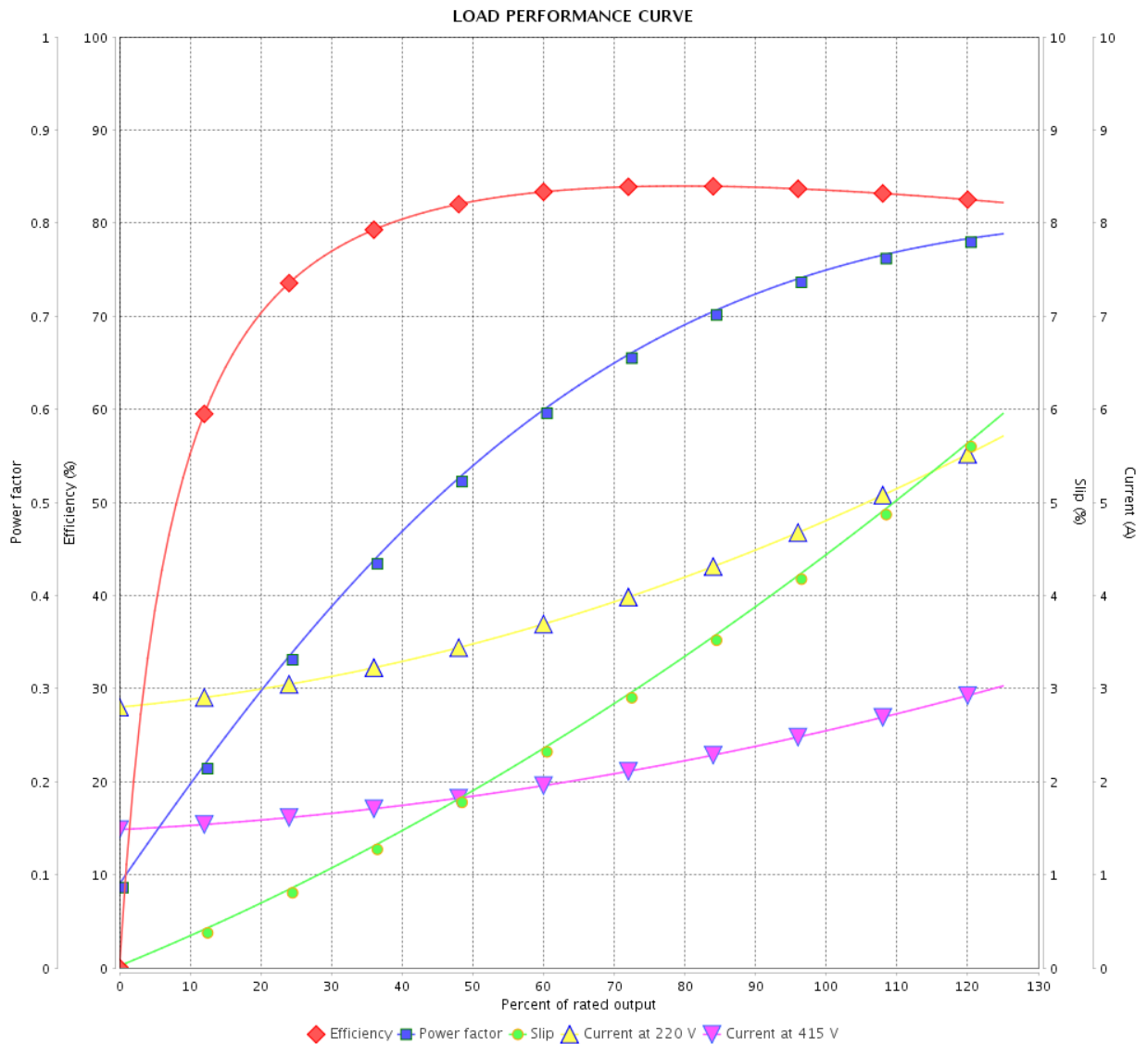


Customer :

Product line : JM Pump NEMA Premium Efficiency Three-Phase

Product code : 13482590

Catalog # : 00152OT3E182JMV-S



Performance : 220/415 V 50 Hz 6P

Rated current : 4.79/2.54 A
 LRC : 5.7
 Rated torque : 8.25 ft.lb
 Locked rotor torque : 190 %
 Breakdown torque : 260 %
 Rated speed : 955 rpm

Moment of inertia (J) : 0.2178 sq.ft.lb
 Duty cycle : Cont.(S1)
 Insulation class : F
 Service factor : 1.15
 Temperature rise : 80 K
 Design : B

Rev.	Changes Summary	Performed	Checked	Date
Performed by			Page	Revision
Checked by			7 / 16	
Date	12/04/2022			

THERMAL LIMIT CURVE



Three Phase Induction Motor - Squirrel Cage

Customer :

Product line : JM Pump NEMA Premium
Efficiency Three-Phase

Product code : 13482590

Catalog # : 00152OT3E182JMV-S

Performance : 230/460 V 60 Hz 6P

Rated current : 4.50/2.25 A
LRC : 6.5
Rated torque : 6.76 ft.lb
Locked rotor torque : 200 %
Breakdown torque : 310 %
Rated speed : 1165 rpm

Moment of inertia (J) : 0.2178 sq.ft.lb
Duty cycle : Cont.(S1)
Insulation class : F
Service factor : 1.15
Temperature rise : 80 K
Design : B

Heating constant

Cooling constant

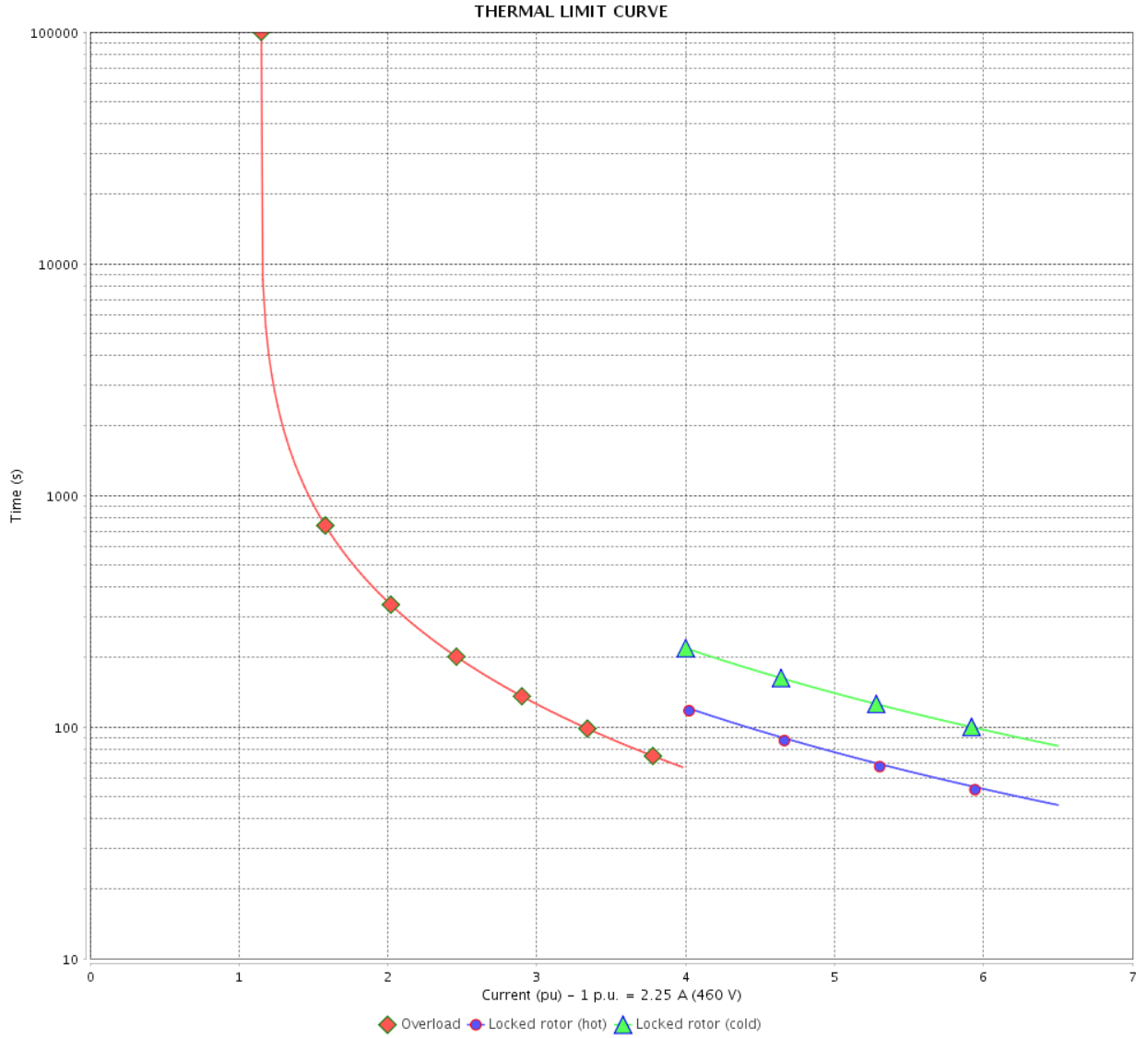
Rev.	Changes Summary	Performed	Checked	Date
Performed by				
Checked by			Page	Revision
Date	12/04/2022		8 / 16	

THERMAL LIMIT CURVE

Three Phase Induction Motor - Squirrel Cage



Customer : _____



Rev.	Changes Summary	Performed	Checked	Date
Performed by				
Checked by				
Date				
			Page	Revision
			9 / 16	

THERMAL LIMIT CURVE



Three Phase Induction Motor - Squirrel Cage

Customer :

Product line : JM Pump NEMA Premium
Efficiency Three-Phase

Product code : 13482590

Catalog # : 00152OT3E182JMV-S

Performance : 190/380 V 50 Hz 6P

Rated current : 5.24/2.62 A
LRC : 5.2
Rated torque : 8.29 ft.lb
Locked rotor torque : 160 %
Breakdown torque : 220 %
Rated speed : 950 rpm

Moment of inertia (J) : 0.2178 sq.ft.lb
Duty cycle : Cont.(S1)
Insulation class : F
Service factor : 1.15
Temperature rise : 80 K
Design : B

Heating constant

Cooling constant

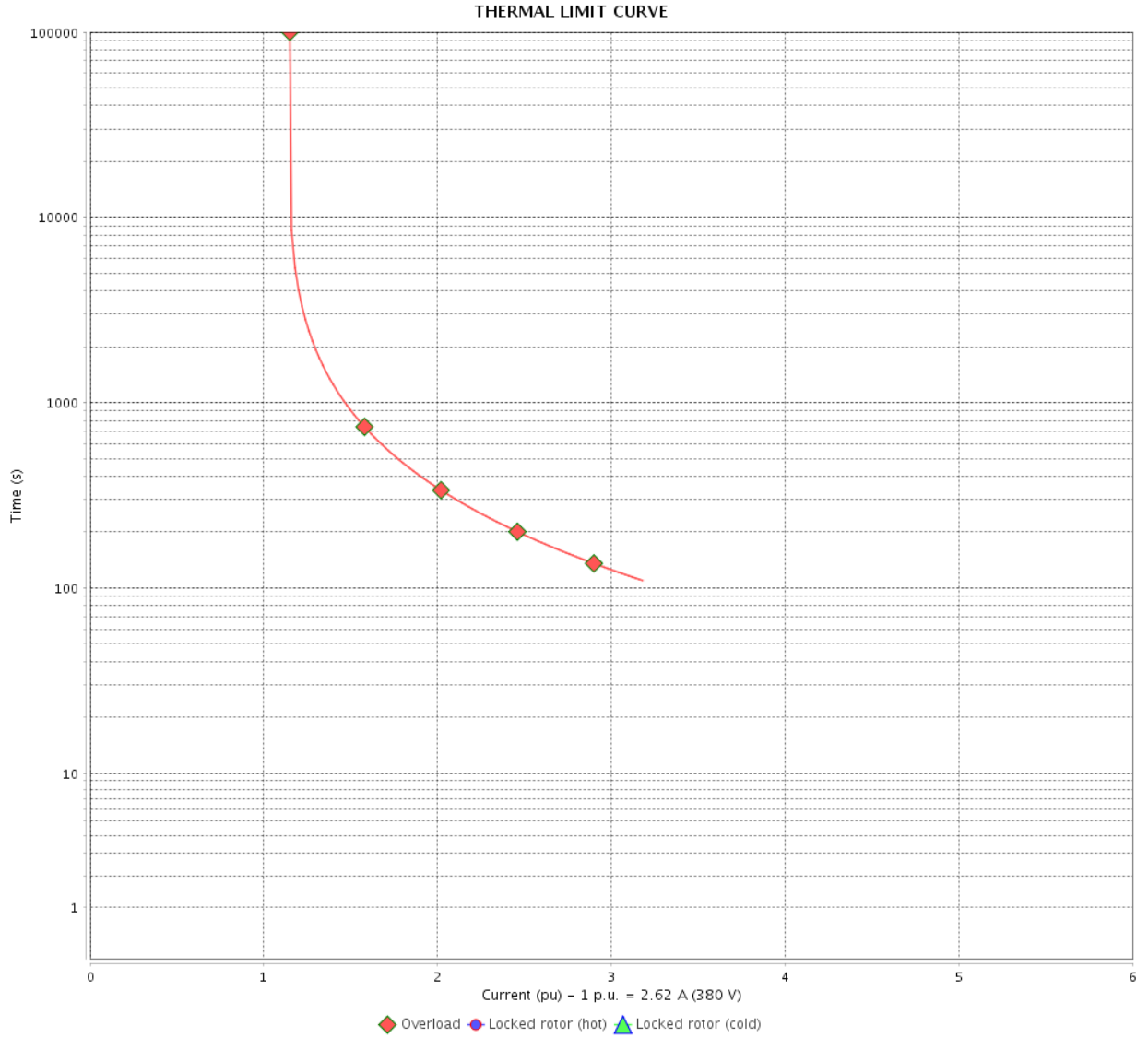
Rev.	Changes Summary	Performed	Checked	Date
Performed by				
Checked by			Page	Revision
Date	12/04/2022		10 / 16	

THERMAL LIMIT CURVE

Three Phase Induction Motor - Squirrel Cage



Customer : _____



Rev.	Changes Summary	Performed	Checked	Date
Performed by		Page Revision 11 / 16		
Checked by				
Date				

THERMAL LIMIT CURVE



Three Phase Induction Motor - Squirrel Cage

Customer :

Product line : JM Pump NEMA Premium
Efficiency Three-Phase

Product code : 13482590

Catalog # : 00152OT3E182JMV-S

Performance : 220/415 V 50 Hz 6P

Rated current : 4.79/2.54 A
LRC : 5.7
Rated torque : 8.25 ft.lb
Locked rotor torque : 190 %
Breakdown torque : 260 %
Rated speed : 955 rpm

Moment of inertia (J) : 0.2178 sq.ft.lb
Duty cycle : Cont.(S1)
Insulation class : F
Service factor : 1.15
Temperature rise : 80 K
Design : B

Heating constant

Cooling constant

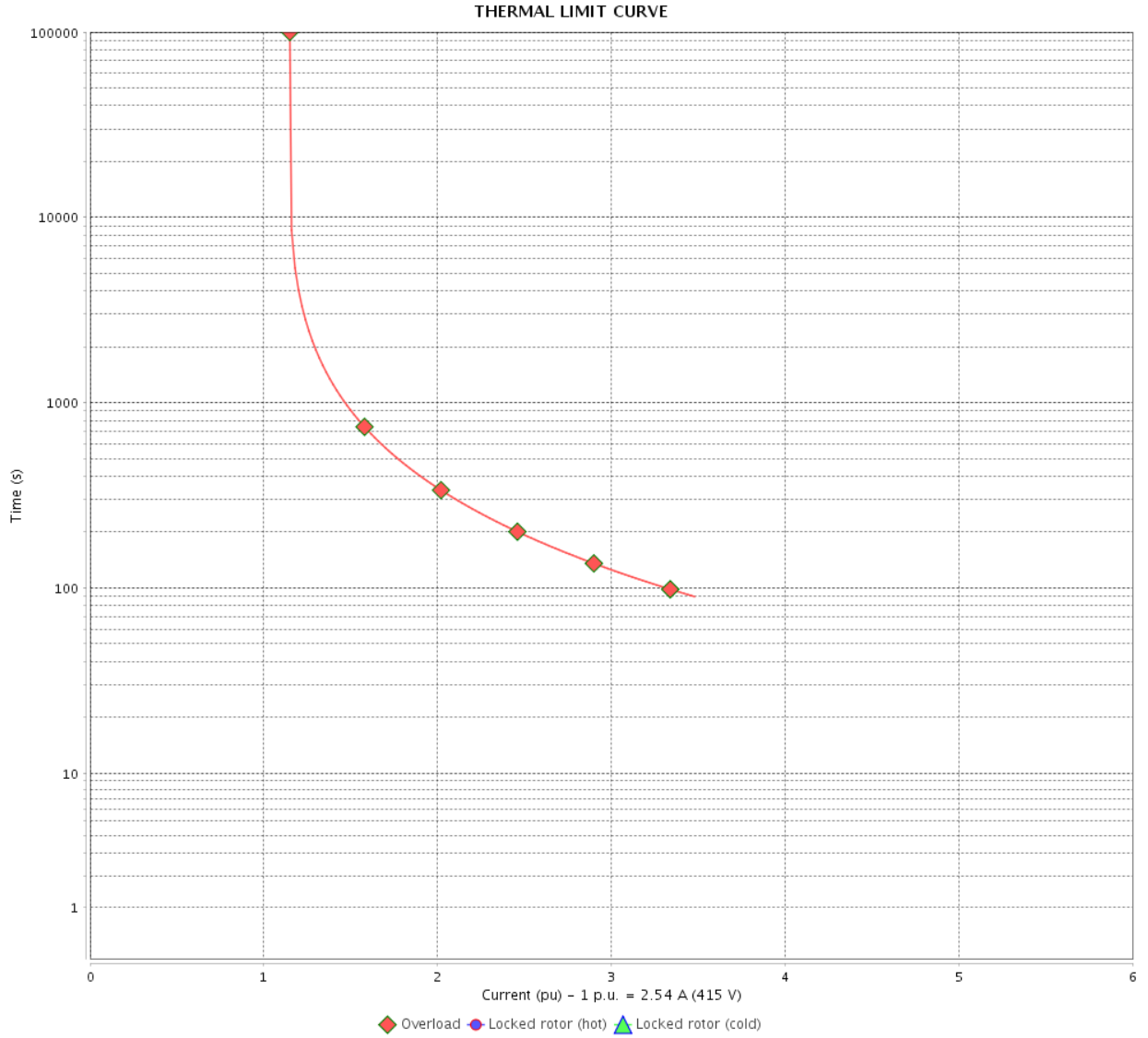
Rev.	Changes Summary	Performed	Checked	Date
Performed by				
Checked by			Page	Revision
Date	12/04/2022		12 / 16	

THERMAL LIMIT CURVE

Three Phase Induction Motor - Squirrel Cage



Customer : _____



Rev.	Changes Summary	Performed	Checked	Date
Performed by		Page Revision 13 / 16		
Checked by				
Date				

VFD OPERATION CURVE

Three Phase Induction Motor - Squirrel Cage

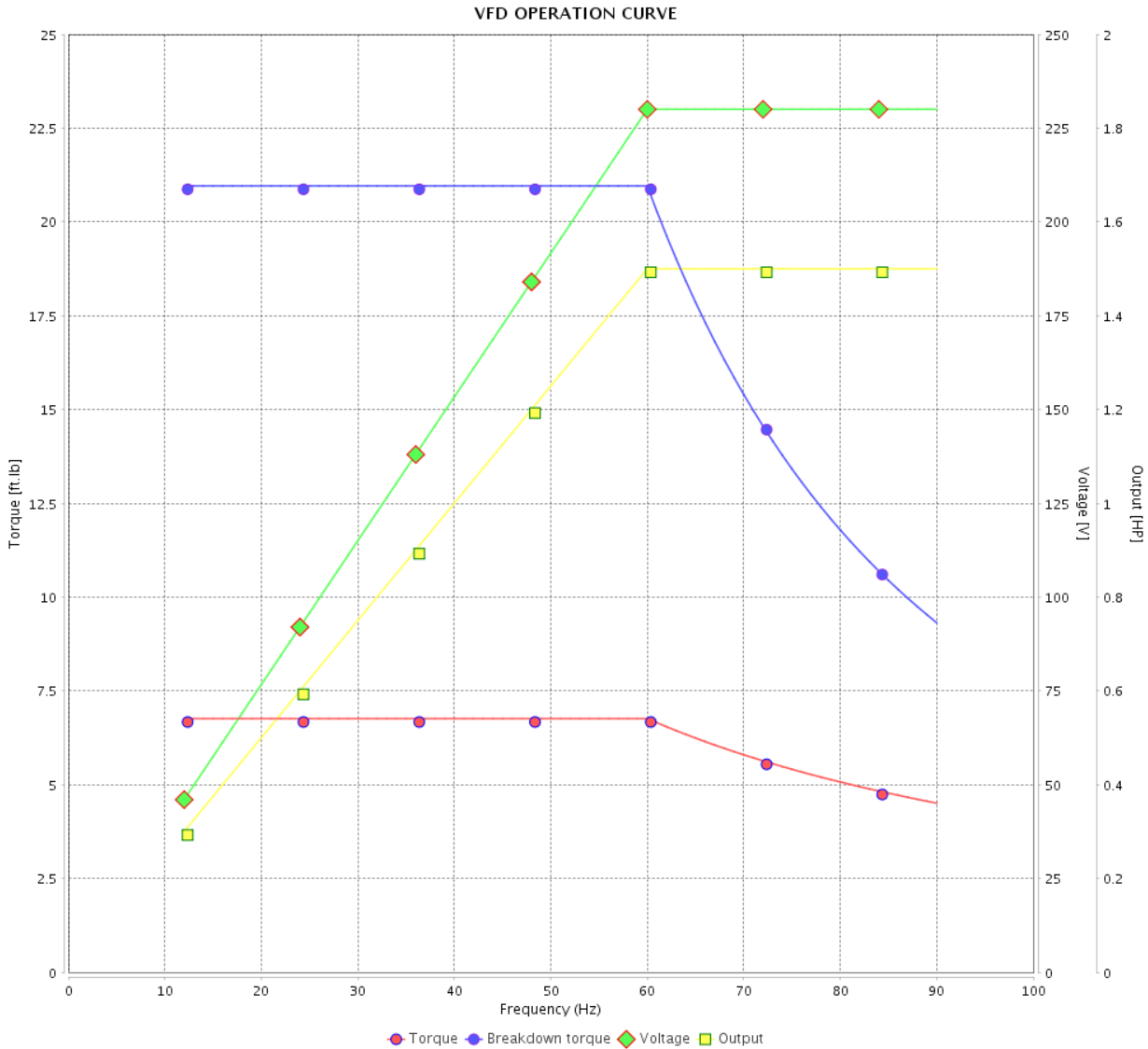


Customer :

Product line : JM Pump NEMA Premium Efficiency Three-Phase

Product code : 13482590

Catalog # : 00152OT3E182JMV-S



Performance : 230/460 V 60 Hz 6P

Rated current : 4.50/2.25 A
 LRC : 6.5
 Rated torque : 6.76 ft.lb
 Locked rotor torque : 200 %
 Breakdown torque : 310 %
 Rated speed : 1165 rpm

Moment of inertia (J) : 0.2178 sq.ft.lb
 Duty cycle : Cont.(S1)
 Insulation class : F
 Service factor : 1.15
 Temperature rise : 80 K
 Design : B

Rev.	Changes Summary	Performed	Checked	Date
Performed by			Page	Revision
Checked by				
Date				

VFD OPERATION CURVE

Three Phase Induction Motor - Squirrel Cage

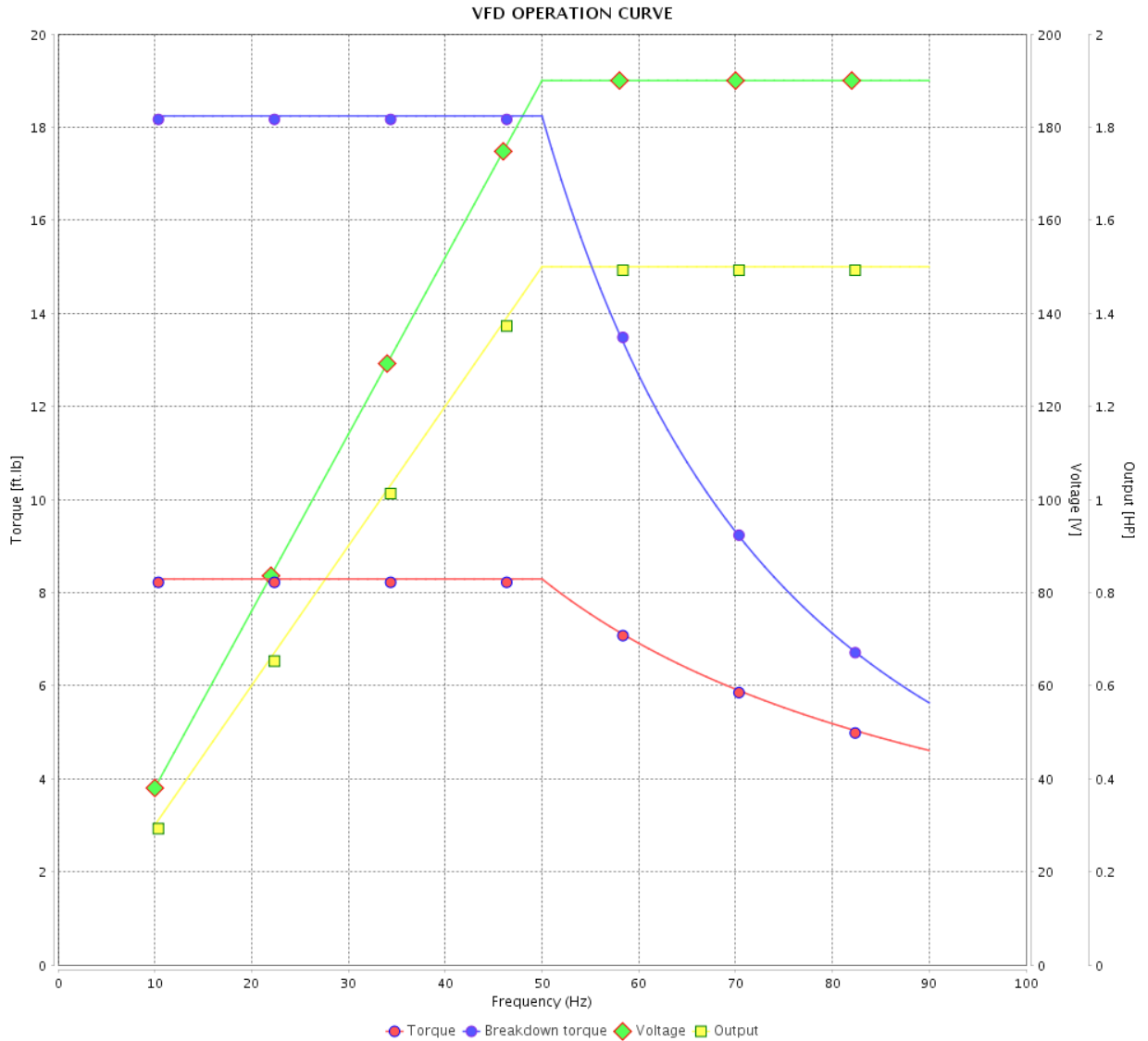


Customer :

Product line : JM Pump NEMA Premium Efficiency Three-Phase

Product code : 13482590

Catalog # : 00152OT3E182JMV-S



Performance : 190/380 V 50 Hz 6P

Rated current : 5.24/2.62 A
 LRC : 5.2
 Rated torque : 8.29 ft.lb
 Locked rotor torque : 160 %
 Breakdown torque : 220 %
 Rated speed : 950 rpm

Moment of inertia (J) : 0.2178 sq.ft.lb
 Duty cycle : Cont.(S1)
 Insulation class : F
 Service factor : 1.15
 Temperature rise : 80 K
 Design : B

Rev.	Changes Summary	Performed	Checked	Date
Performed by		Page		Revision
Checked by		15 / 16		
Date		12/04/2022		

VFD OPERATION CURVE

Three Phase Induction Motor - Squirrel Cage



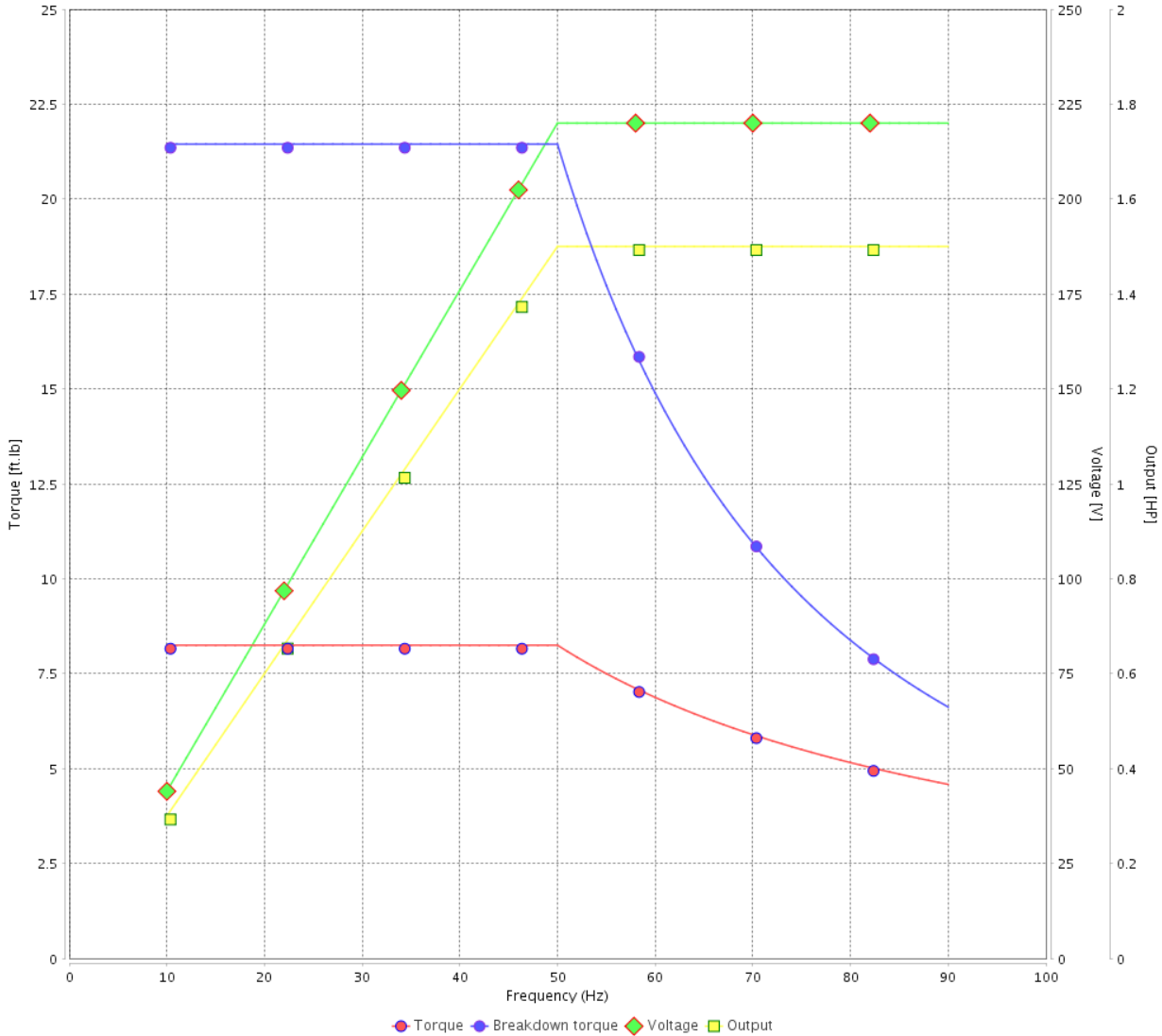
Customer :

Product line : JM Pump NEMA Premium Efficiency Three-Phase

Product code : 13482590

Catalog # : 00152OT3E182JMV-S

VFD OPERATION CURVE



Performance : 220/415 V 50 Hz 6P

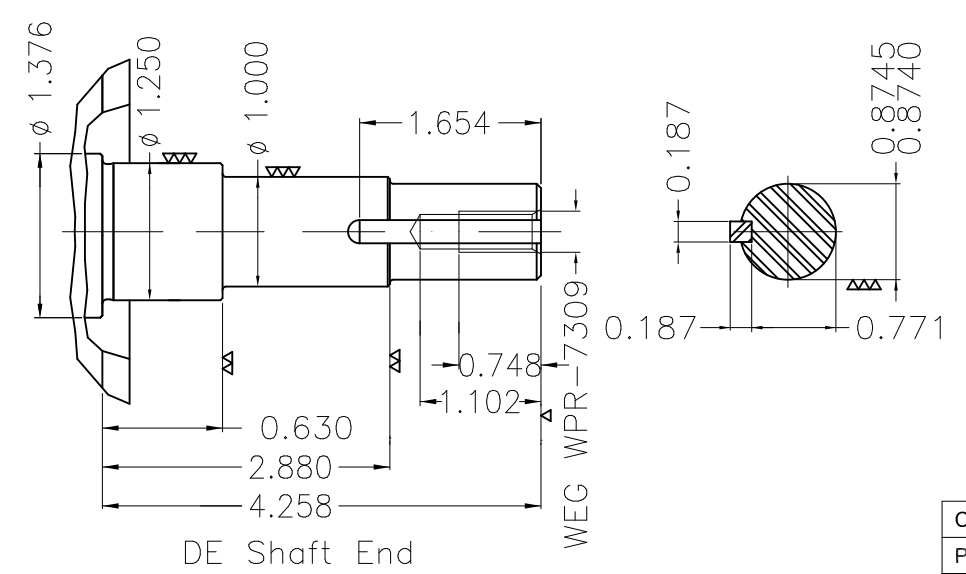
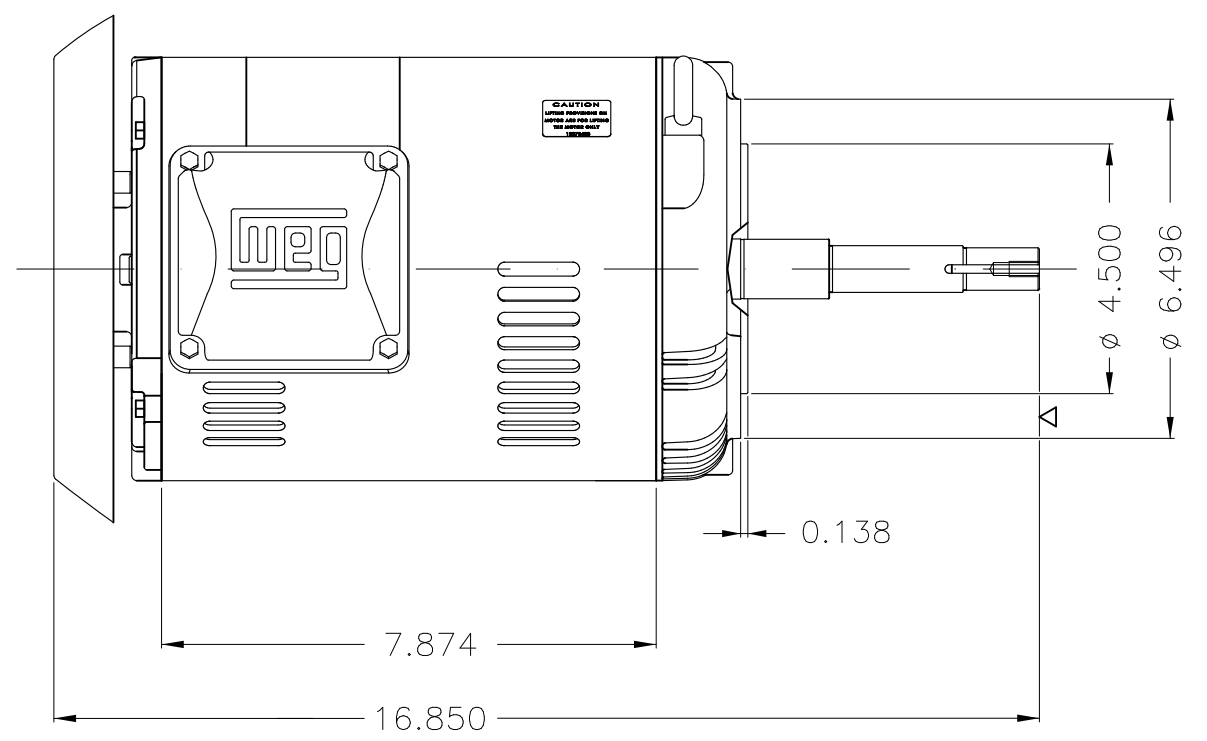
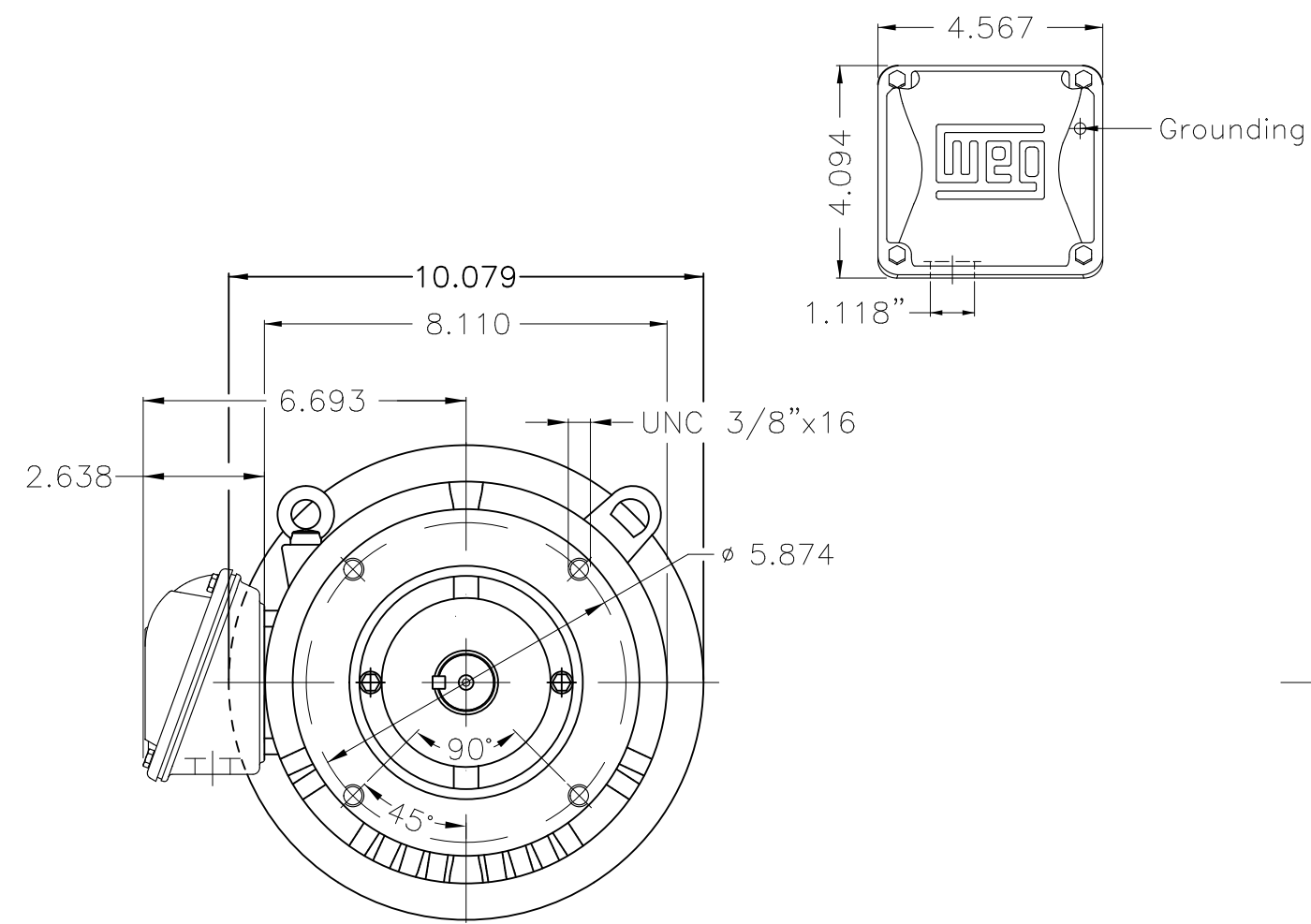
Rated current : 4.79/2.54 A
 LRC : 5.7
 Rated torque : 8.25 ft.lb
 Locked rotor torque : 190 %
 Breakdown torque : 260 %
 Rated speed : 955 rpm

Moment of inertia (J) : 0.2178 sq.ft.lb
 Duty cycle : Cont.(S1)
 Insulation class : F
 Service factor : 1.15
 Temperature rise : 80 K
 Design : B

Rev.	Changes Summary	Performed	Checked	Date
Performed by			Page	Revision
Checked by				
Date				

1 2 3 4 5 6

A
B
C
D
E



Color Munsell N 1 matte black									
Painting plan 207N									
Mounting W-6/V18R(D)									
ECM	LOC	SUMMARY OF MODIFICATIONS			EXECUTED	CHECKED	RELEASED	DATE	VER
EXECUTED	PIRBUSER	THREE PH. MOTOR ROLLED STEEL CLOSE COUPLED PUMP JN TYPE PSEF 182							
CHECKED		FRAME 182/4JM IP21 ODP							
RELEASED									
REL DT.		WMO	Jaragua do Sul	Product Engineering					

1.5 HP 06 Poles 60 Hz

A PREVIEW WDD SHEET 1 / 1



Dimensions in inches XME A3



NEMA
Premium



MADE IN MEXICO

MAT: 13482590 CC029A

W01.T00IC0X0N

MODEL 001520T3E182JMV-S

29OCT2021 S/N:

PH 3	Hz 60	HP 1.5
FR 182/4JM		KW 1.1
DUTY CONT.		V 230/460
ALT 1000 m.a.s.l.		A 4.50/2.25
INS CL F AT 80K		SFA 5.17/2.59
AMB 40°C	DES B	SF 1.15
ENCL ODP	CODE J	PF 0.71
USABLE @ 208V 4.98A		RPM 1165
SF1.00		NEMA NOM. EFF 86.5%

ALTERNATE RATING: 1.5HP 50Hz 190-220/380-415V SF1.15
5.24-4.81/2.62-2.55A 950RPM EFF 82.8% (IE3) IEC 60034-1

Inverter duty motor For 80Hz use on VPWM 1000:1 VT, 5:1 CT

DE 6207-ZZ	ODE 6205-ZZ	MOBIL POLYREX EM
-------------------	--------------------	-------------------------



T1-BLU T2-WHT
 T3-ORG T4-YEL
 T5-BLK T6-GRY
 T7-PNK T8-RED
 T9-BRK RED

INTERCHANGE ANY TWO LINE WIRES TO REVERSE THE ROTATION

WARNING: Motor must be grounded in accordance with local and national electrical codes to prevent serious electrical shocks. Disconnect power source before servicing unit.



AVERTISSEMENT: Le moteur doit être mis à la terre conformément aux codes électriques locaux et nationaux afin d'éviter tout choc électrique grave. Déconnectez l'alimentation avant l'entretien de la machine.

