

DATA SHEET

Three Phase Induction Motor - Squirrel Cage



Customer :		
Product line	: JP Pump NEMA Premium Efficiency Three-Phase	
Product code :	12682732	
Catalog # :	00152OT3E182JP-S	
Frame	: 182/4JP	
Insulation class	: F	
Duty cycle	: Cont.(S1)	
Ambient temperature	: -20°C to +40°C	
Altitude	: 1000 m.a.s.l.	
Design	: B	
Cooling method	: IC01 - ODP	
Mounting	: F-1	
Rotation ¹	: Both (CW and CCW)	
Starting method	: Direct On Line	
Approx. weight ²	: 56.0 lb	
Moment of inertia (J)	: 0.2178 sq.ft.lb	
Output [HP]	1.5	
Poles	6	
Frequency [Hz]	60	
Rated voltage [V]	230/460	
Rated current [A]	4.50/2.25	
L. R. Amperes [A]	29.3/14.6	
LRC [A]	6.5x(Code J)	
No load current [A]	2.74/1.37	
Rated speed [RPM]	1165	
Slip [%]	2.92	
Rated torque [ft.lb]	6.76	
Locked rotor torque [%]	200	
Breakdown torque [%]	310	
Service factor	1.15	
Temperature rise	80 K	
Locked rotor time	82s (cold) 46s (hot)	
Noise level ²	52.0 dB(A)	
Efficiency (%)	25%	82.8
	50%	84.0
	75%	85.5
	100%	86.5
Power Factor	25%	0.29
	50%	0.51
	75%	0.63
	100%	0.71
Bearing type	: <u>Drive end</u> 6207 ZZ <u>Non drive end</u> 6205 ZZ	
Sealing	: Without Without Bearing Seal Bearing Seal	
Lubrication interval	: - -	
Lubricant amount	: - -	
Lubricant type	: Mobil Polyrex EM	
Foundation loads	Max. traction : 109 lb Max. compression : 165 lb	
Notes USABLE @208V 4.98A SF 1.00 SFA 4.98A		
This revision replaces and cancel the previous one, which must be eliminated. (1) Looking the motor from the shaft end. (2) Measured at 1m and with tolerance of +3dB(A). (3) Approximate weight subject to changes after manufacturing process. (4) At 100% of full load.		
These are average values based on tests with sinusoidal power supply, subject to the tolerances stipulated in NEMA MG-1.		
Rev.	Changes Summary	
Performed by	Performed	
Checked by	Checked	
Date	Date	
14/04/2022		
Page	Revision	
1 / 16		

TORQUE AND CURRENT VS SPEED CURVE

Three Phase Induction Motor - Squirrel Cage



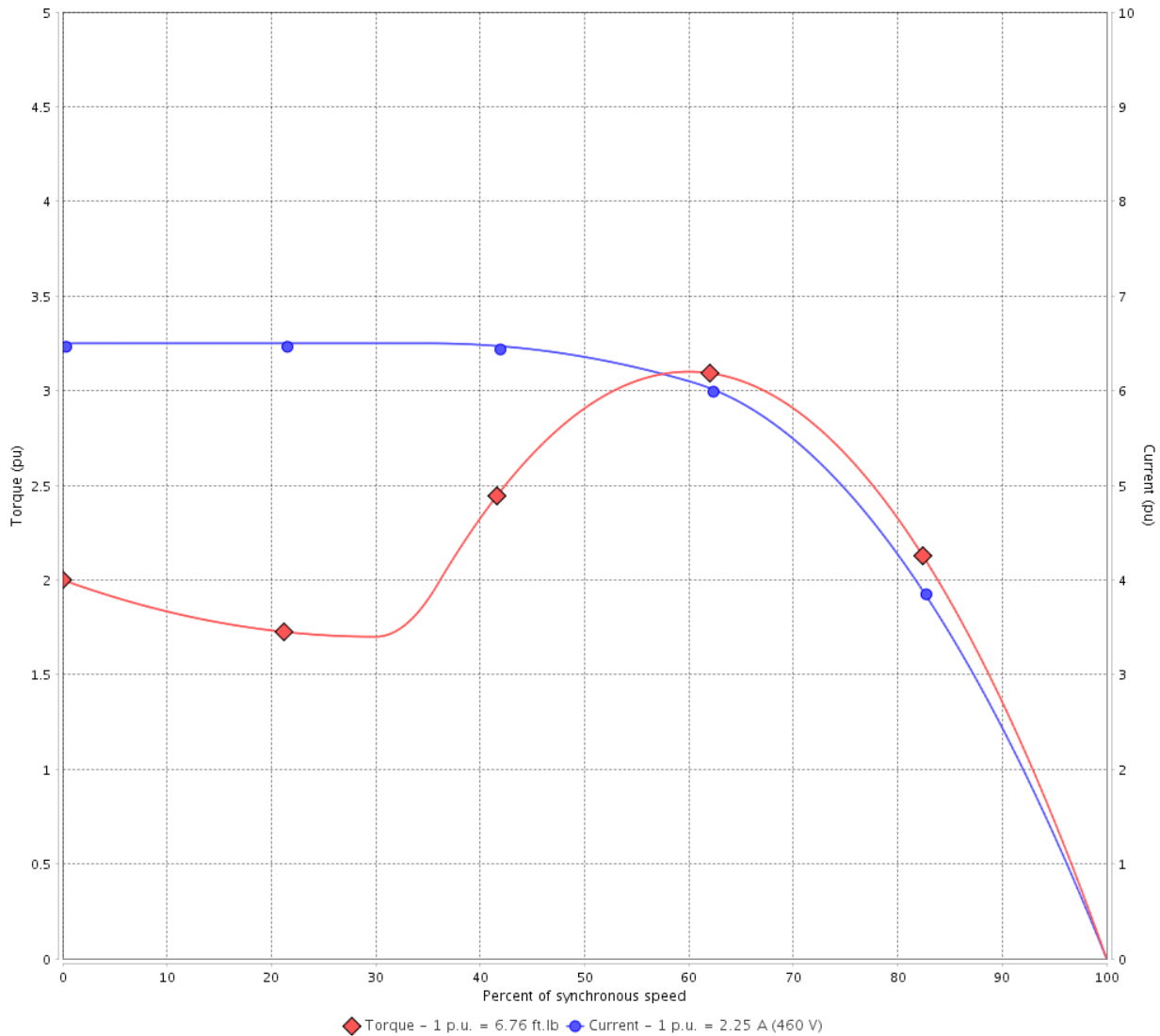
Customer :

Product line : JP Pump NEMA Premium Efficiency Three-Phase

Product code : 12682732

Catalog # : 001520T3E182JP-S

TORQUE AND CURRENT VS SPEED CURVE



Performance : 230/460 V 60 Hz 6P

Rated current : 4.50/2.25 A
 LRC : 6.5
 Rated torque : 6.76 ft.lb
 Locked rotor torque : 200 %
 Breakdown torque : 310 %
 Rated speed : 1165 rpm

Moment of inertia (J) : 0.2178 sq.ft.lb
 Duty cycle : Cont.(S1)
 Insulation class : F
 Service factor : 1.15
 Temperature rise : 80 K
 Design : B

Locked rotor time : 82s (cold) 46s (hot)

Rev.	Changes Summary	Performed	Checked	Date
Performed by			Page 2 / 16	Revision
Checked by				
Date	14/04/2022			

TORQUE AND CURRENT VS SPEED CURVE



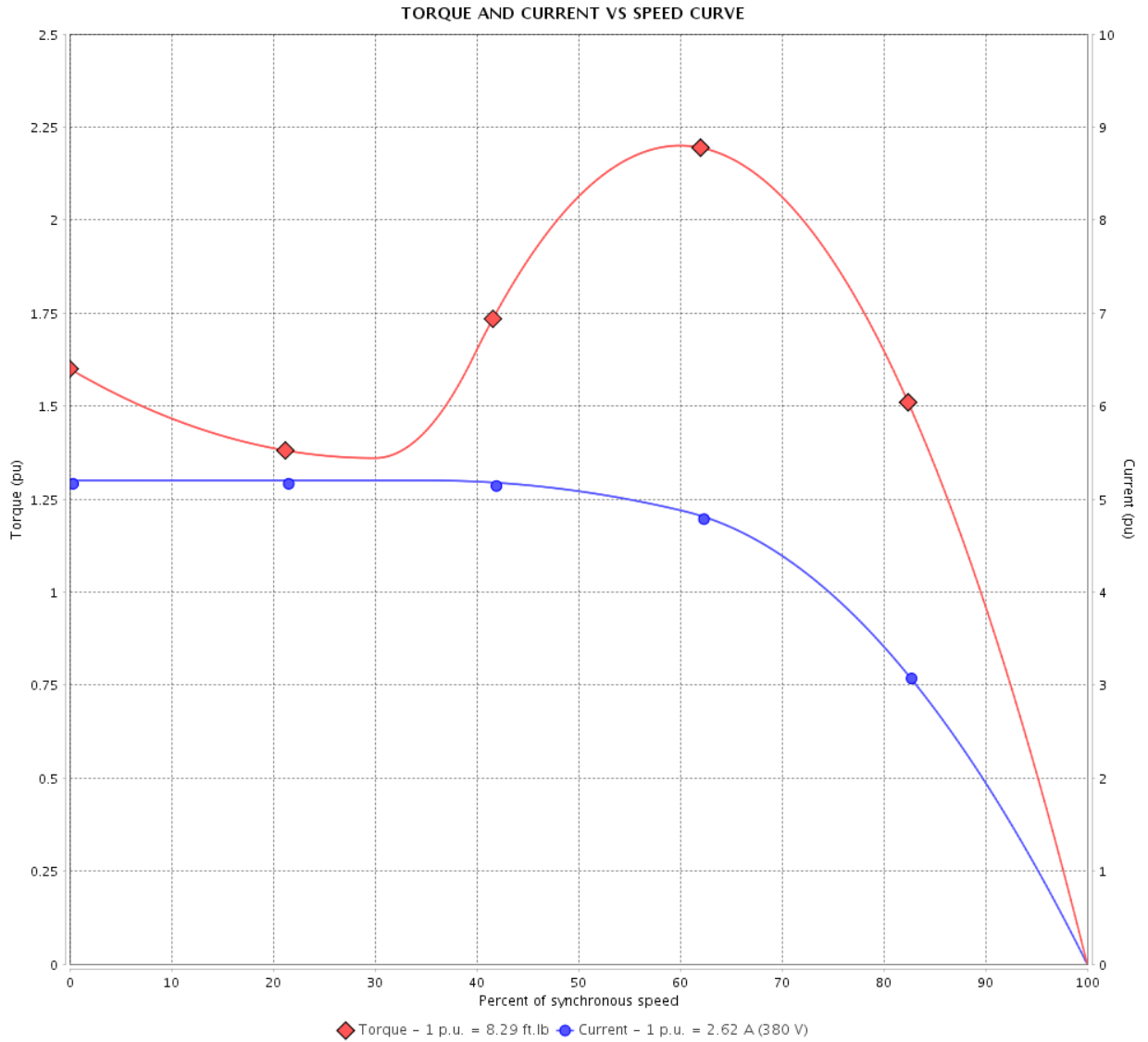
Three Phase Induction Motor - Squirrel Cage

Customer :

Product line : JP Pump NEMA Premium Efficiency Three-Phase

Product code : 12682732

Catalog # : 00152OT3E182JP-S



Performance : 190/380 V 50 Hz 6P

Rated current : 5.24/2.62 A
 LRC : 5.2
 Rated torque : 8.29 ft.lb
 Locked rotor torque : 160 %
 Breakdown torque : 220 %
 Rated speed : 950 rpm

Moment of inertia (J) : 0.2178 sq.ft.lb
 Duty cycle : Cont.(S1)
 Insulation class : F
 Service factor : 1.15
 Temperature rise : 80 K
 Design : B

Locked rotor time : 0s (cold) 0s (hot)

Rev.	Changes Summary	Performed	Checked	Date
Performed by			Page 3 / 16	Revision
Checked by				
Date	14/04/2022			

TORQUE AND CURRENT VS SPEED CURVE

Three Phase Induction Motor - Squirrel Cage



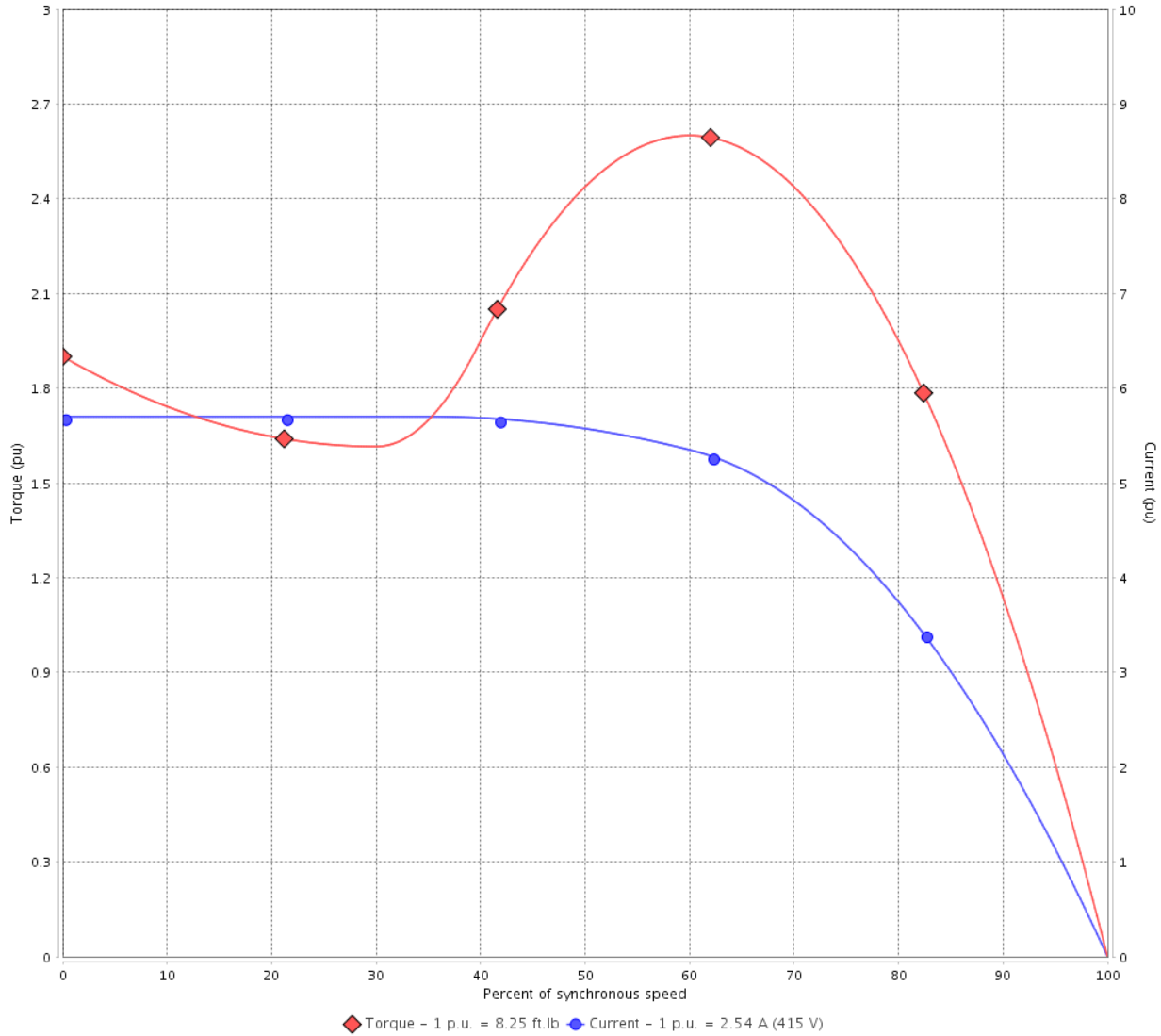
Customer :

Product line : JP Pump NEMA Premium
Efficiency Three-Phase

Product code : 12682732

Catalog # : 001520T3E182JP-S

TORQUE AND CURRENT VS SPEED CURVE



Performance : 220/415 V 50 Hz 6P

Rated current : 4.79/2.54 A
LRC : 5.7
Rated torque : 8.25 ft.lb
Locked rotor torque : 190 %
Breakdown torque : 260 %
Rated speed : 955 rpm

Moment of inertia (J) : 0.2178 sq.ft.lb
Duty cycle : Cont.(S1)
Insulation class : F
Service factor : 1.15
Temperature rise : 80 K
Design : B

Locked rotor time : 0s (cold) 0s (hot)

Rev.	Changes Summary	Performed	Checked	Date
Performed by			Page 4 / 16	Revision
Checked by				
Date	14/04/2022			

LOAD PERFORMANCE CURVE

Three Phase Induction Motor - Squirrel Cage

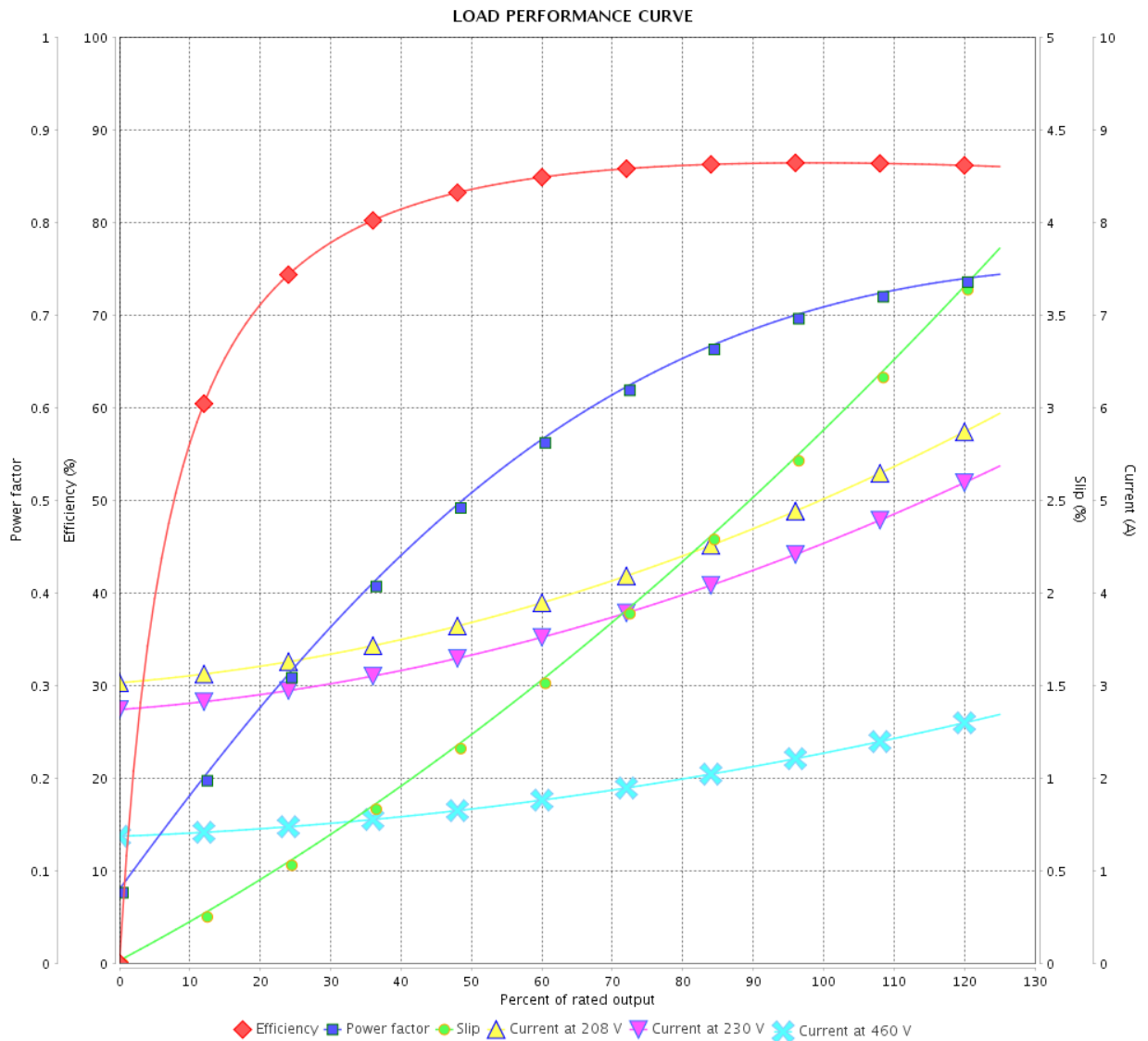


Customer :

Product line : JP Pump NEMA Premium
Efficiency Three-Phase

Product code : 12682732

Catalog # : 00152OT3E182JP-S



Performance : 230/460 V 60 Hz 6P

Rated current : 4.50/2.25 A
 LRC : 6.5
 Rated torque : 6.76 ft.lb
 Locked rotor torque : 200 %
 Breakdown torque : 310 %
 Rated speed : 1165 rpm

Moment of inertia (J) : 0.2178 sq.ft.lb
 Duty cycle : Cont.(S1)
 Insulation class : F
 Service factor : 1.15
 Temperature rise : 80 K
 Design : B

Rev.	Changes Summary	Performed	Checked	Date
Performed by			Page	Revision
Checked by				
Date				

LOAD PERFORMANCE CURVE

Three Phase Induction Motor - Squirrel Cage



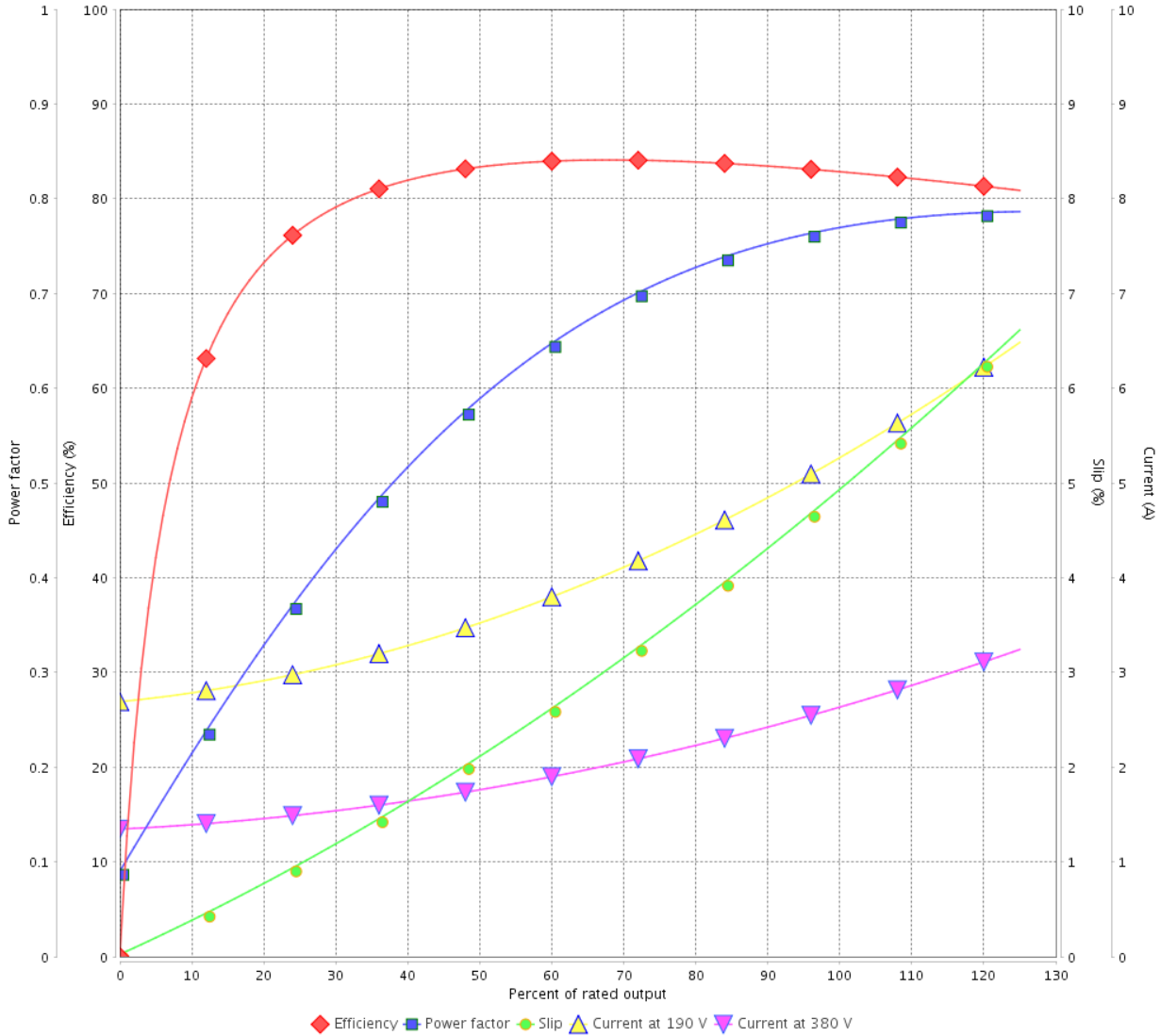
Customer :

Product line : JP Pump NEMA Premium Efficiency Three-Phase

Product code : 12682732

Catalog # : 001520T3E182JP-S

LOAD PERFORMANCE CURVE



Performance : 190/380 V 50 Hz 6P

Rated current : 5.24/2.62 A
 LRC : 5.2
 Rated torque : 8.29 ft.lb
 Locked rotor torque : 160 %
 Breakdown torque : 220 %
 Rated speed : 950 rpm

Moment of inertia (J) : 0.2178 sq.ft.lb
 Duty cycle : Cont.(S1)
 Insulation class : F
 Service factor : 1.15
 Temperature rise : 80 K
 Design : B

Rev.	Changes Summary	Performed	Checked	Date
Performed by			Page	Revision
Checked by			6 / 16	
Date	14/04/2022			

LOAD PERFORMANCE CURVE

Three Phase Induction Motor - Squirrel Cage

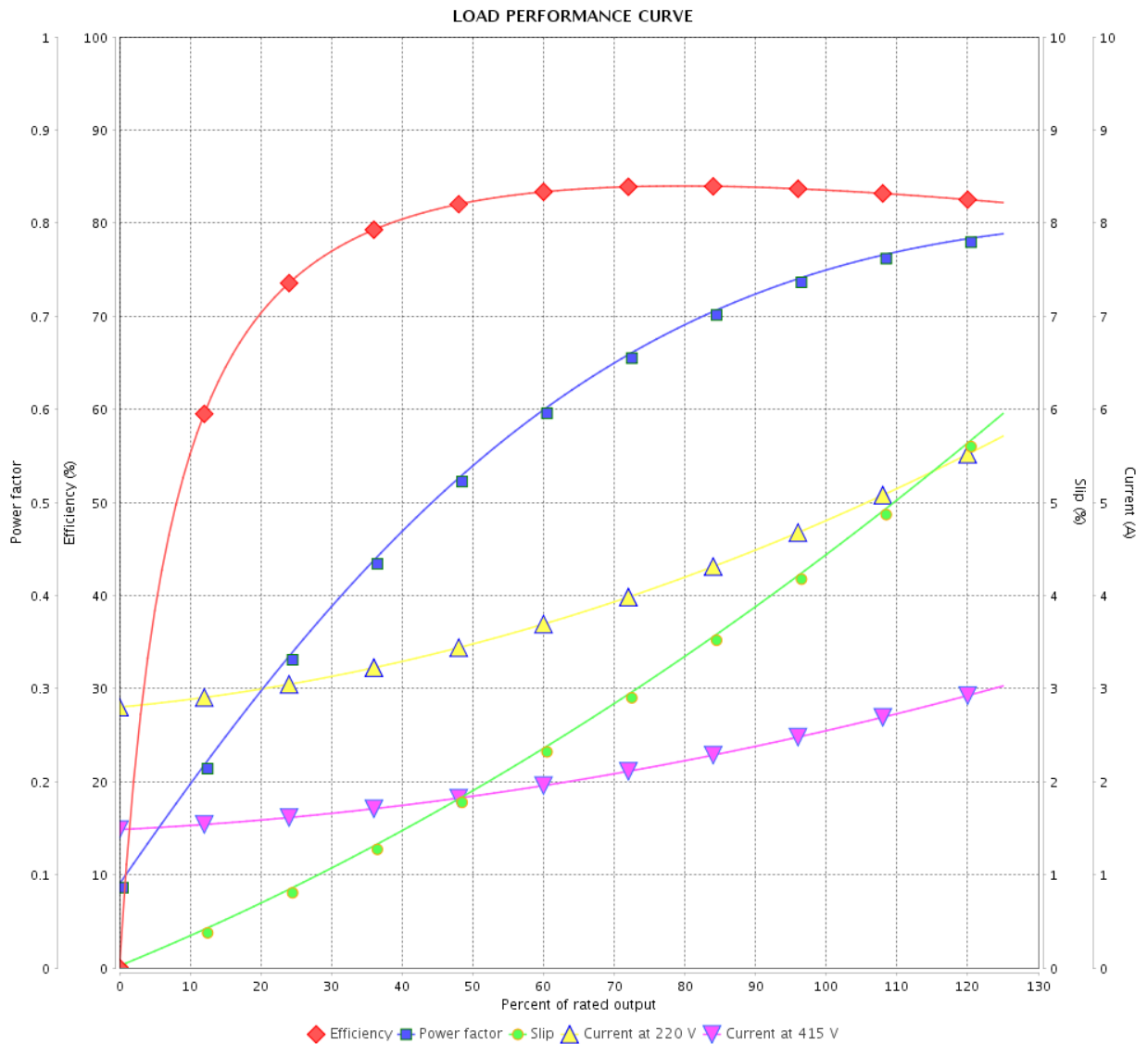


Customer :

Product line : JP Pump NEMA Premium Efficiency Three-Phase

Product code : 12682732

Catalog # : 00152OT3E182JP-S



Performance : 220/415 V 50 Hz 6P

Rated current : 4.79/2.54 A
 LRC : 5.7
 Rated torque : 8.25 ft.lb
 Locked rotor torque : 190 %
 Breakdown torque : 260 %
 Rated speed : 955 rpm

Moment of inertia (J) : 0.2178 sq.ft.lb
 Duty cycle : Cont.(S1)
 Insulation class : F
 Service factor : 1.15
 Temperature rise : 80 K
 Design : B

Rev.	Changes Summary	Performed	Checked	Date
Performed by		Page		Revision
Checked by		7 / 16		
Date		14/04/2022		

THERMAL LIMIT CURVE

Three Phase Induction Motor - Squirrel Cage



Customer :

Product line : JP Pump NEMA Premium
Efficiency Three-Phase

Product code : 12682732

Catalog # : 00152OT3E182JP-S

Performance : 230/460 V 60 Hz 6P

Rated current : 4.50/2.25 A
LRC : 6.5
Rated torque : 6.76 ft.lb
Locked rotor torque : 200 %
Breakdown torque : 310 %
Rated speed : 1165 rpm

Moment of inertia (J) : 0.2178 sq.ft.lb
Duty cycle : Cont.(S1)
Insulation class : F
Service factor : 1.15
Temperature rise : 80 K
Design : B

Heating constant

Cooling constant

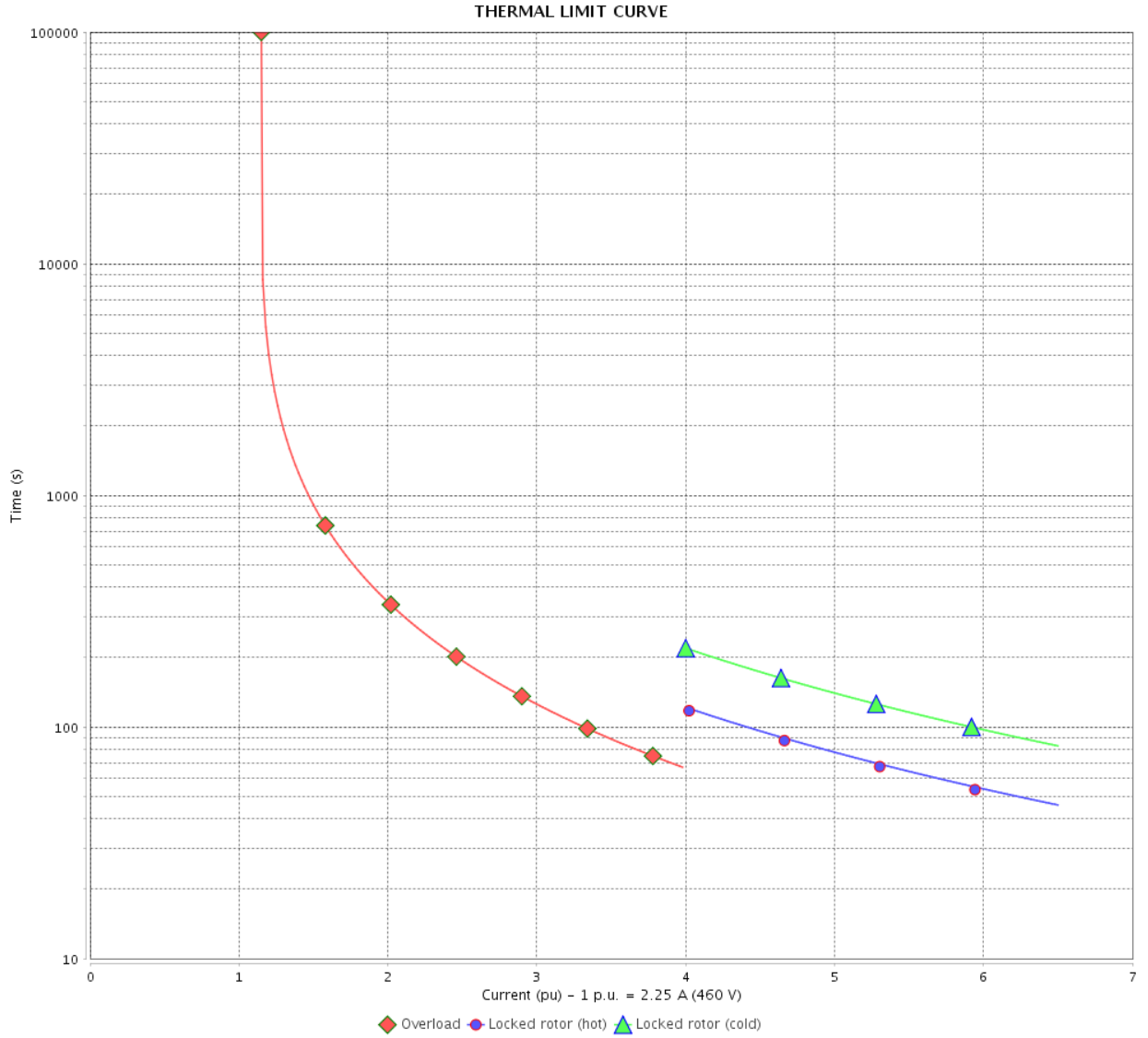
Rev.	Changes Summary	Performed	Checked	Date
Performed by				
Checked by			Page	Revision
Date	14/04/2022		8 / 16	

THERMAL LIMIT CURVE

Three Phase Induction Motor - Squirrel Cage



Customer : _____



Rev.	Changes Summary	Performed	Checked	Date
Performed by		Page Revision 9 / 16		
Checked by				
Date				

THERMAL LIMIT CURVE



Three Phase Induction Motor - Squirrel Cage

Customer :

Product line : JP Pump NEMA Premium
Efficiency Three-Phase

Product code : 12682732

Catalog # : 00152OT3E182JP-S

Performance : 190/380 V 50 Hz 6P

Rated current : 5.24/2.62 A
LRC : 5.2
Rated torque : 8.29 ft.lb
Locked rotor torque : 160 %
Breakdown torque : 220 %
Rated speed : 950 rpm

Moment of inertia (J) : 0.2178 sq.ft.lb
Duty cycle : Cont.(S1)
Insulation class : F
Service factor : 1.15
Temperature rise : 80 K
Design : B

Heating constant

Cooling constant

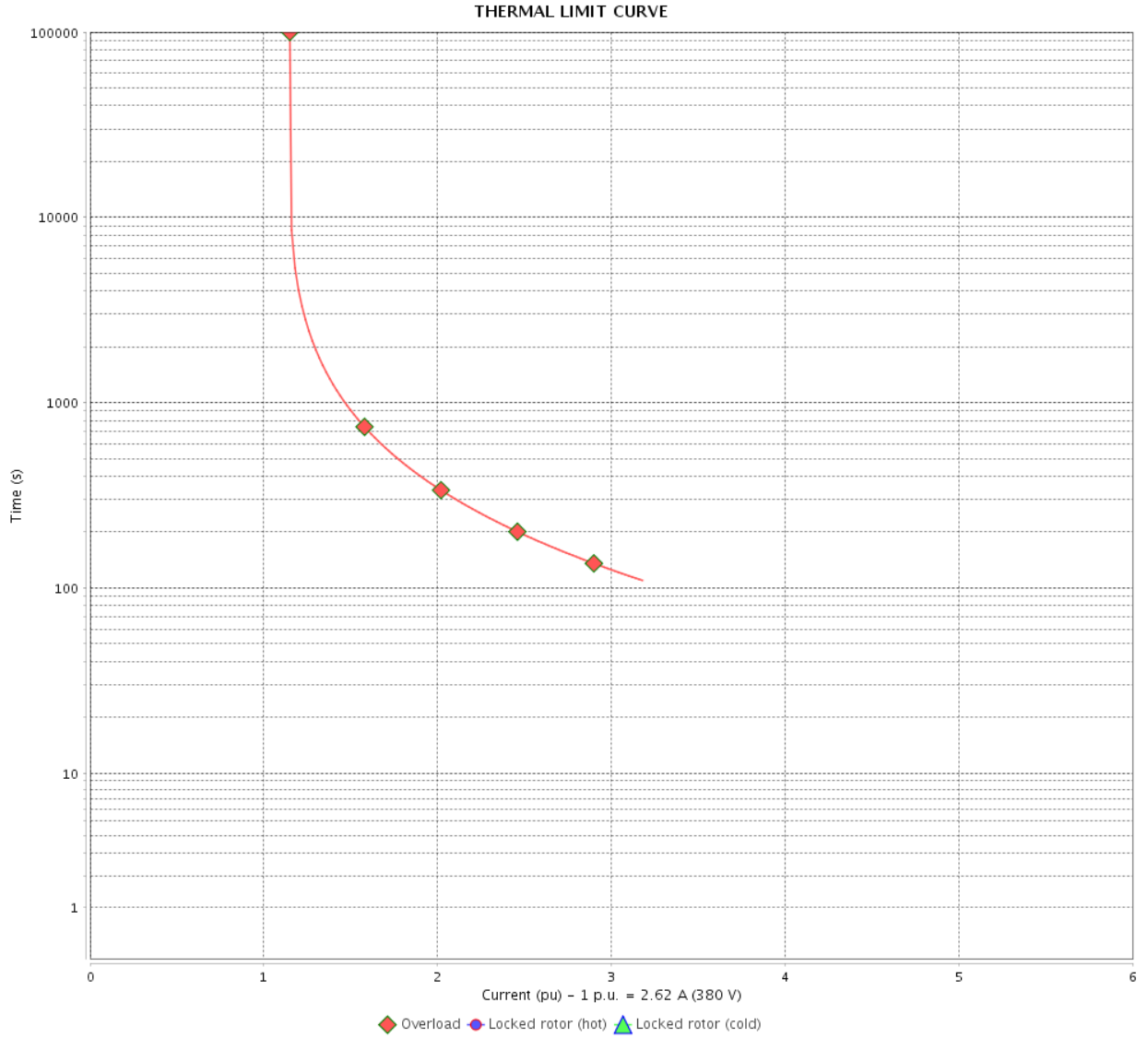
Rev.	Changes Summary	Performed	Checked	Date
Performed by				
Checked by			Page	Revision
Date	14/04/2022		10 / 16	

THERMAL LIMIT CURVE

Three Phase Induction Motor - Squirrel Cage



Customer : _____



Rev.	Changes Summary	Performed	Checked	Date
Performed by		Page Revision 11 / 16		
Checked by				
Date				

THERMAL LIMIT CURVE



Three Phase Induction Motor - Squirrel Cage

Customer :

Product line : JP Pump NEMA Premium
Efficiency Three-Phase

Product code : 12682732

Catalog # : 00152OT3E182JP-S

Performance : 220/415 V 50 Hz 6P

Rated current : 4.79/2.54 A
LRC : 5.7
Rated torque : 8.25 ft.lb
Locked rotor torque : 190 %
Breakdown torque : 260 %
Rated speed : 955 rpm

Moment of inertia (J) : 0.2178 sq.ft.lb
Duty cycle : Cont.(S1)
Insulation class : F
Service factor : 1.15
Temperature rise : 80 K
Design : B

Heating constant

Cooling constant

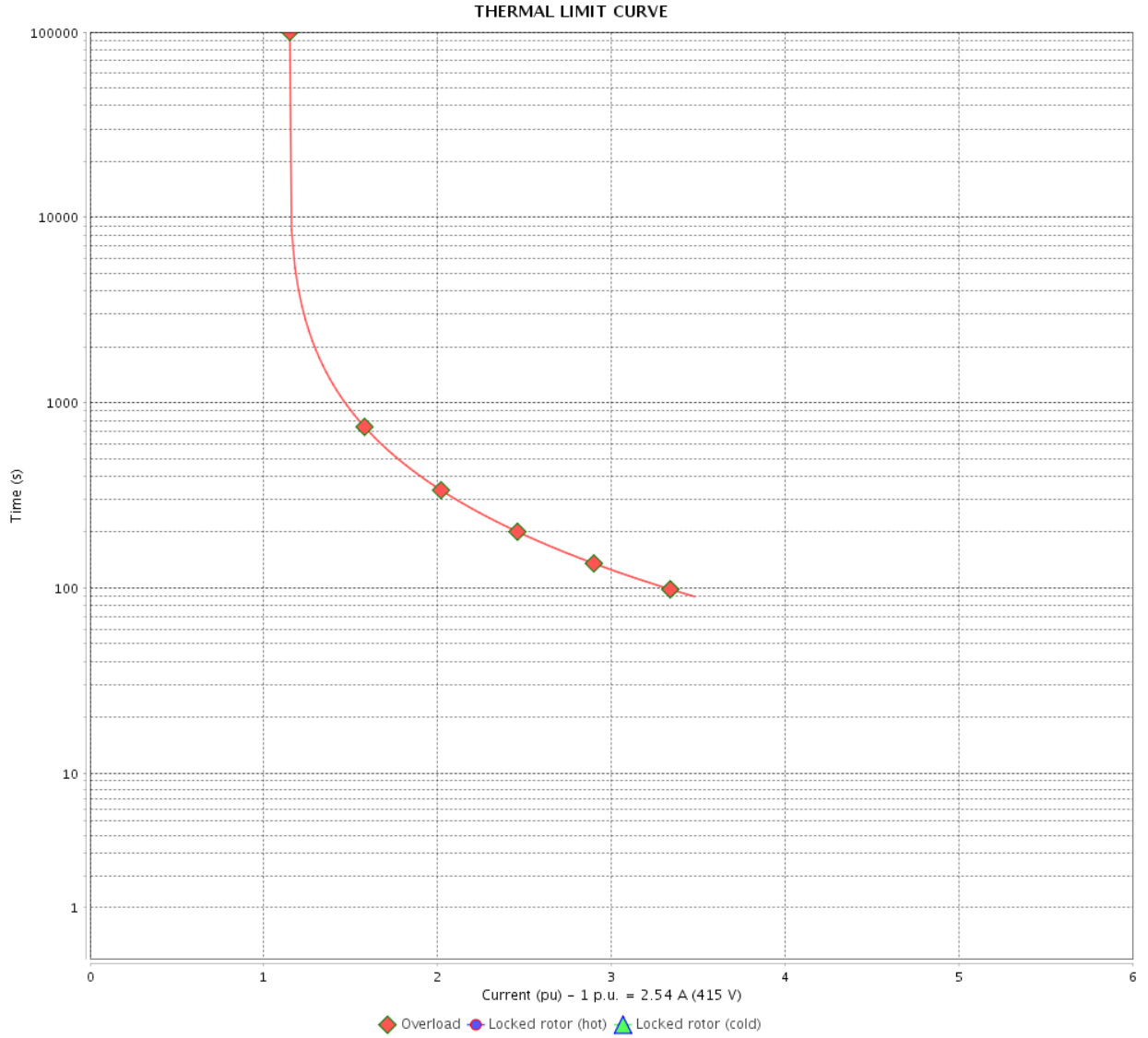
Rev.	Changes Summary	Performed	Checked	Date
Performed by				
Checked by			Page	Revision
Date	14/04/2022		12 / 16	

THERMAL LIMIT CURVE

Three Phase Induction Motor - Squirrel Cage



Customer : _____



Rev.	Changes Summary	Performed	Checked	Date
Performed by		Page		Revision
Checked by		13 / 16		
Date		14/04/2022		

VFD OPERATION CURVE

Three Phase Induction Motor - Squirrel Cage

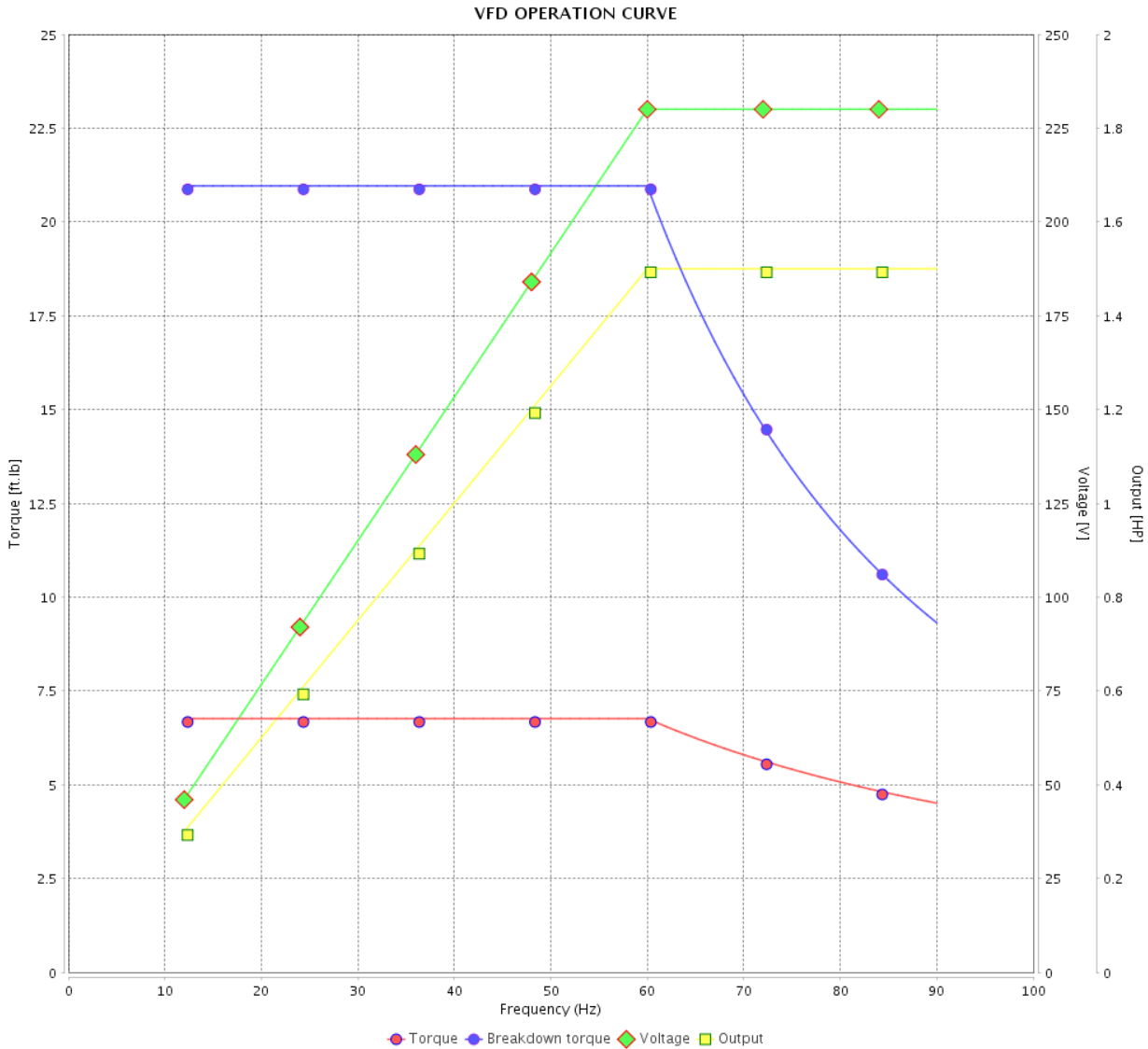


Customer : _____

Product line : JP Pump NEMA Premium Efficiency Three-Phase

Product code : 12682732

Catalog # : 001520T3E182JP-S



Performance : 230/460 V 60 Hz 6P

Rated current : 4.50/2.25 A
 LRC : 6.5
 Rated torque : 6.76 ft.lb
 Locked rotor torque : 200 %
 Breakdown torque : 310 %
 Rated speed : 1165 rpm

Moment of inertia (J) : 0.2178 sq.ft.lb
 Duty cycle : Cont.(S1)
 Insulation class : F
 Service factor : 1.15
 Temperature rise : 80 K
 Design : B

Rev.	Changes Summary	Performed	Checked	Date
Performed by			Page	Revision
Checked by				
Date				

VFD OPERATION CURVE

Three Phase Induction Motor - Squirrel Cage

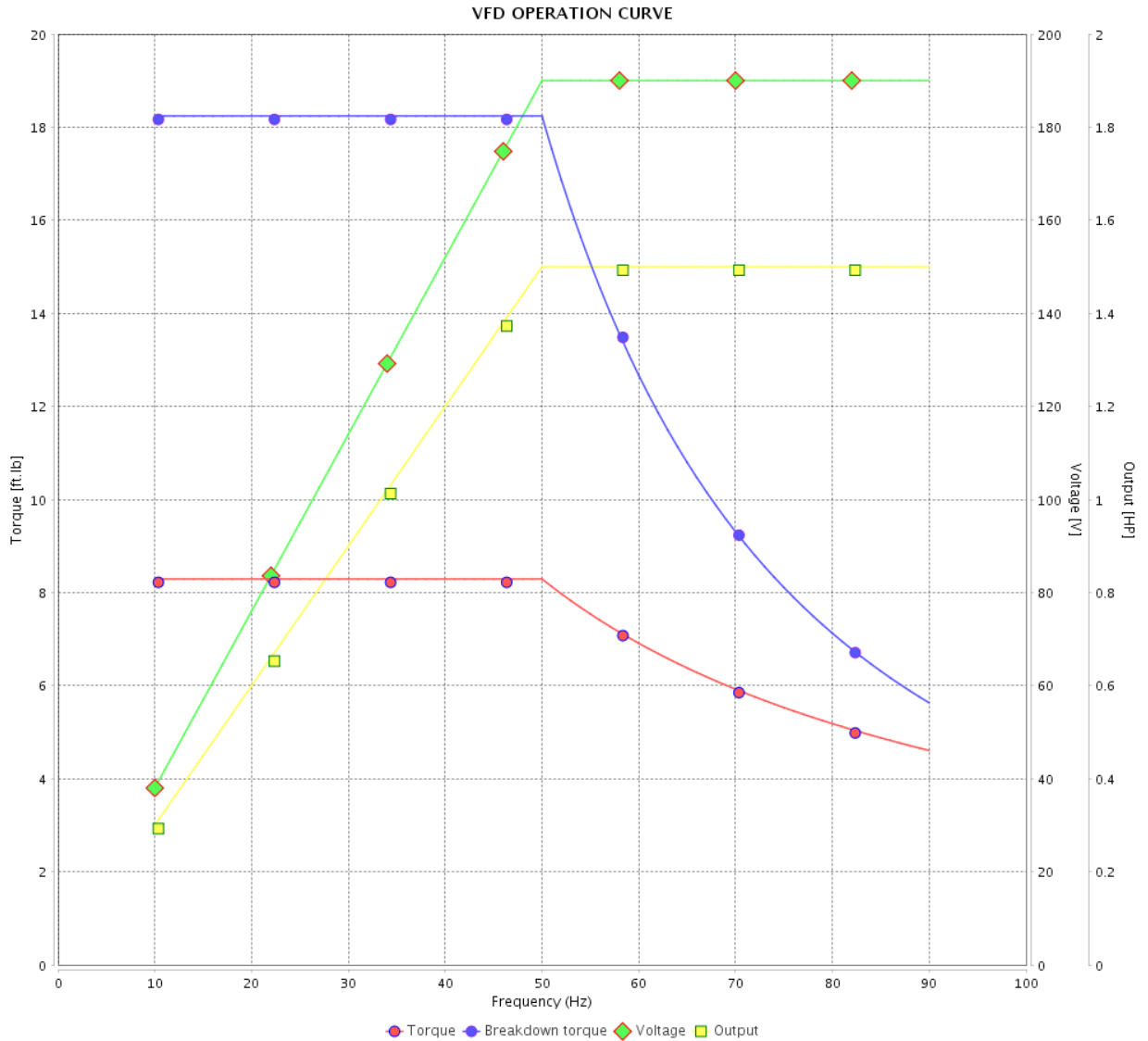


Customer :

Product line : JP Pump NEMA Premium Efficiency Three-Phase

Product code : 12682732

Catalog # : 00152OT3E182JP-S



Performance : 190/380 V 50 Hz 6P

Rated current : 5.24/2.62 A
 LRC : 5.2
 Rated torque : 8.29 ft.lb
 Locked rotor torque : 160 %
 Breakdown torque : 220 %
 Rated speed : 950 rpm

Moment of inertia (J) : 0.2178 sq.ft.lb
 Duty cycle : Cont.(S1)
 Insulation class : F
 Service factor : 1.15
 Temperature rise : 80 K
 Design : B

Rev.	Changes Summary	Performed	Checked	Date
Performed by		Page		Revision
Checked by		15 / 16		
Date		14/04/2022		

VFD OPERATION CURVE

Three Phase Induction Motor - Squirrel Cage



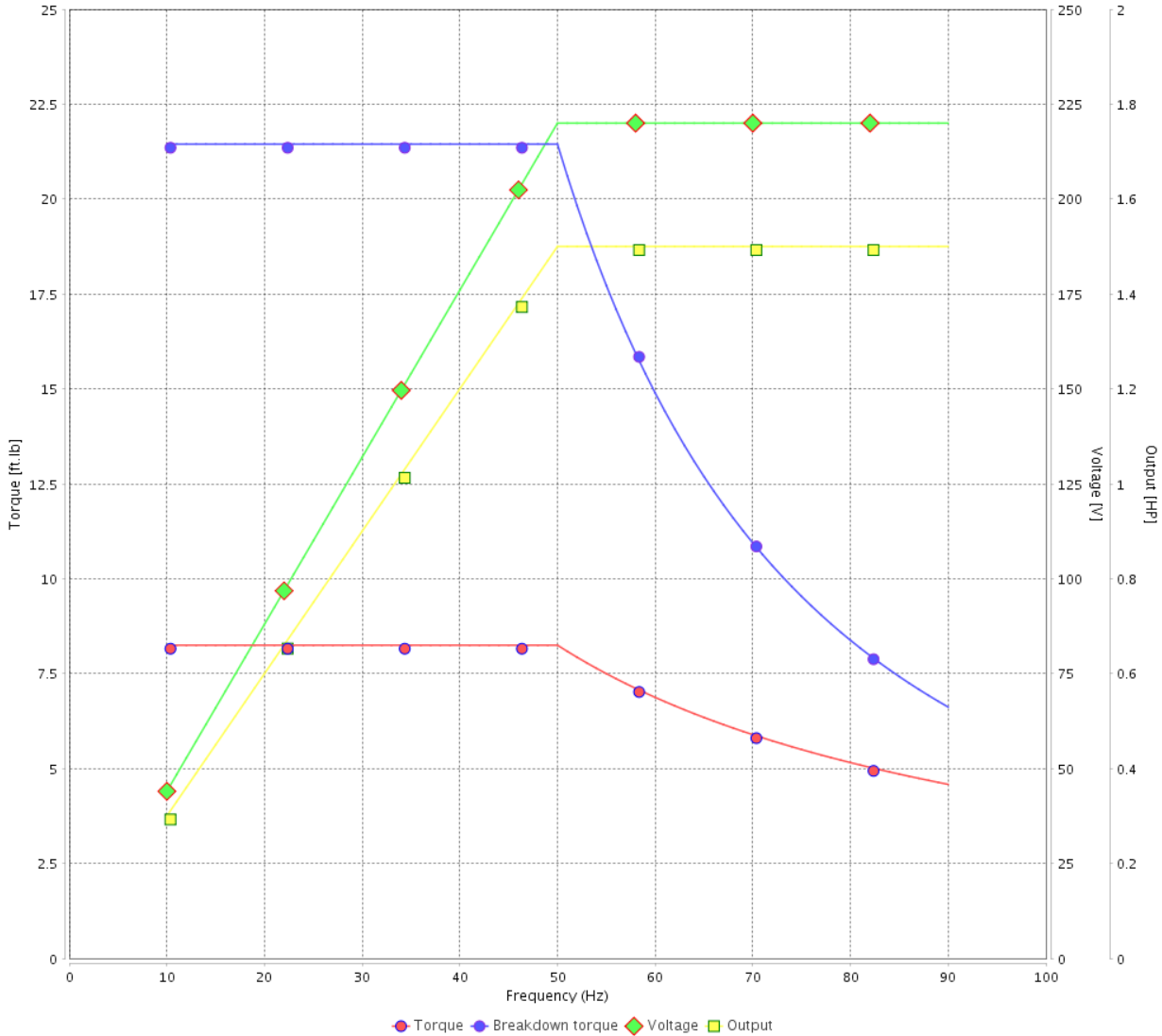
Customer :

Product line : JP Pump NEMA Premium Efficiency Three-Phase

Product code : 12682732

Catalog # : 001520T3E182JP-S

VFD OPERATION CURVE



Performance : 220/415 V 50 Hz 6P

Rated current : 4.79/2.54 A
 LRC : 5.7
 Rated torque : 8.25 ft.lb
 Locked rotor torque : 190 %
 Breakdown torque : 260 %
 Rated speed : 955 rpm

Moment of inertia (J) : 0.2178 sq.ft.lb
 Duty cycle : Cont.(S1)
 Insulation class : F
 Service factor : 1.15
 Temperature rise : 80 K
 Design : B

Rev.	Changes Summary	Performed	Checked	Date
Performed by			Page 16 / 16	Revision
Checked by				
Date	14/04/2022			

1 2 3 4 5 6

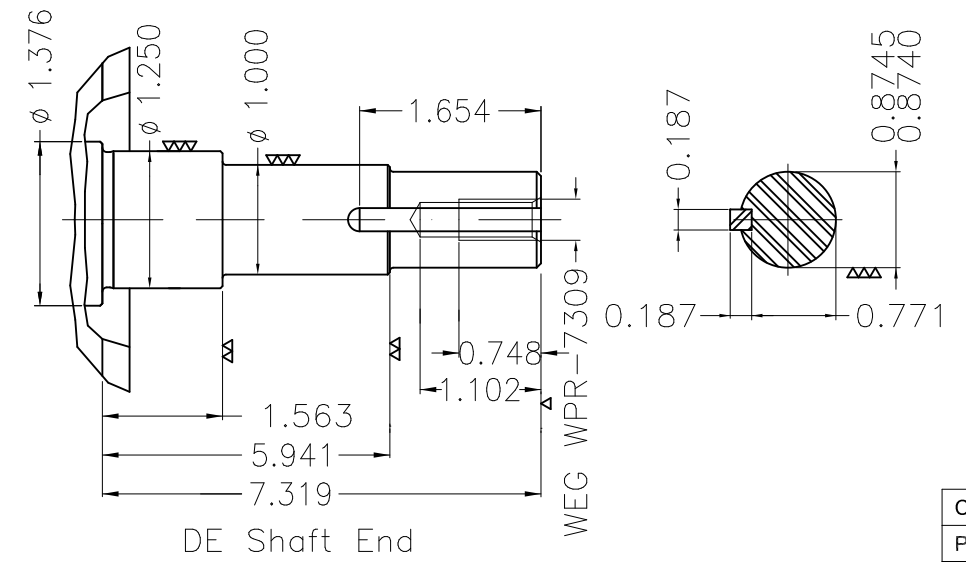
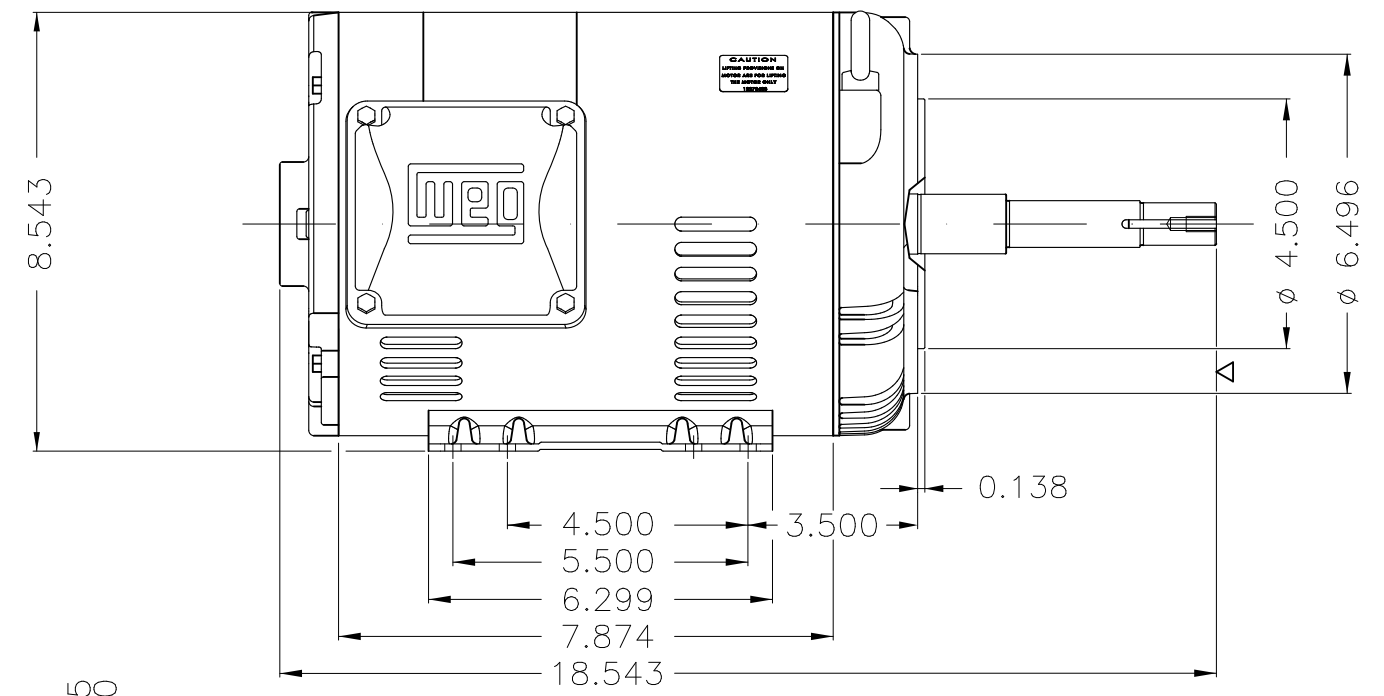
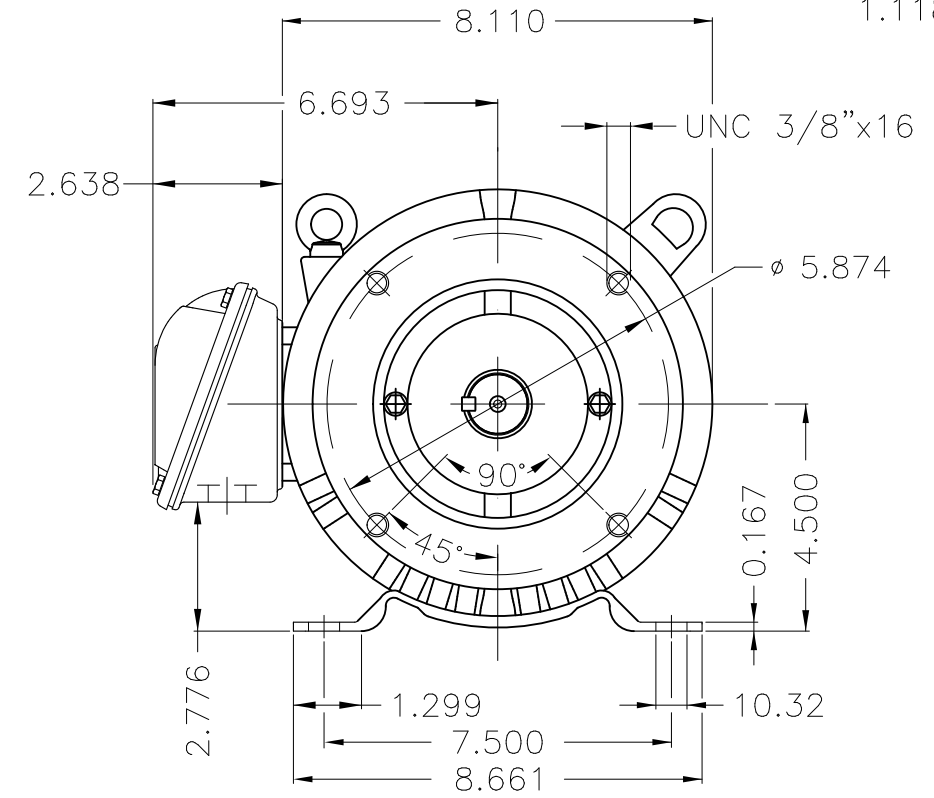
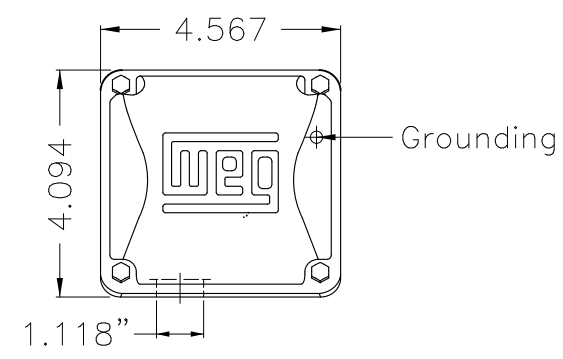
A

B

C

D

E



EUNC 3/8"-16 WEG WPR-7309

DE Shaft End

Color Munsell N 1 matte black
 Painting plan 207N
 Mounting F-1/B34R(D)

ECM	LOC	SUMMARY OF MODIFICATIONS	EXECUTED	CHECKED	RELEASED	DATE	VER
EXECUTED	PIRWBUSER	THREE PH. MOTOR ROLLED STEEL CLOSE COUPLED PUMP JP 3/4 DE PRELIMET					
CHECKED		FRAME 182/4JP IP21 ODP					
RELEASED							
REL DT.	WMO	Jaragua do Sul	Product Engineering	WDD	SHEET	1 / 1	

1.5 HP 06 Poles 60 Hz

