

TORQUE AND CURRENT VS SPEED CURVE

Three Phase Induction Motor - Squirrel Cage



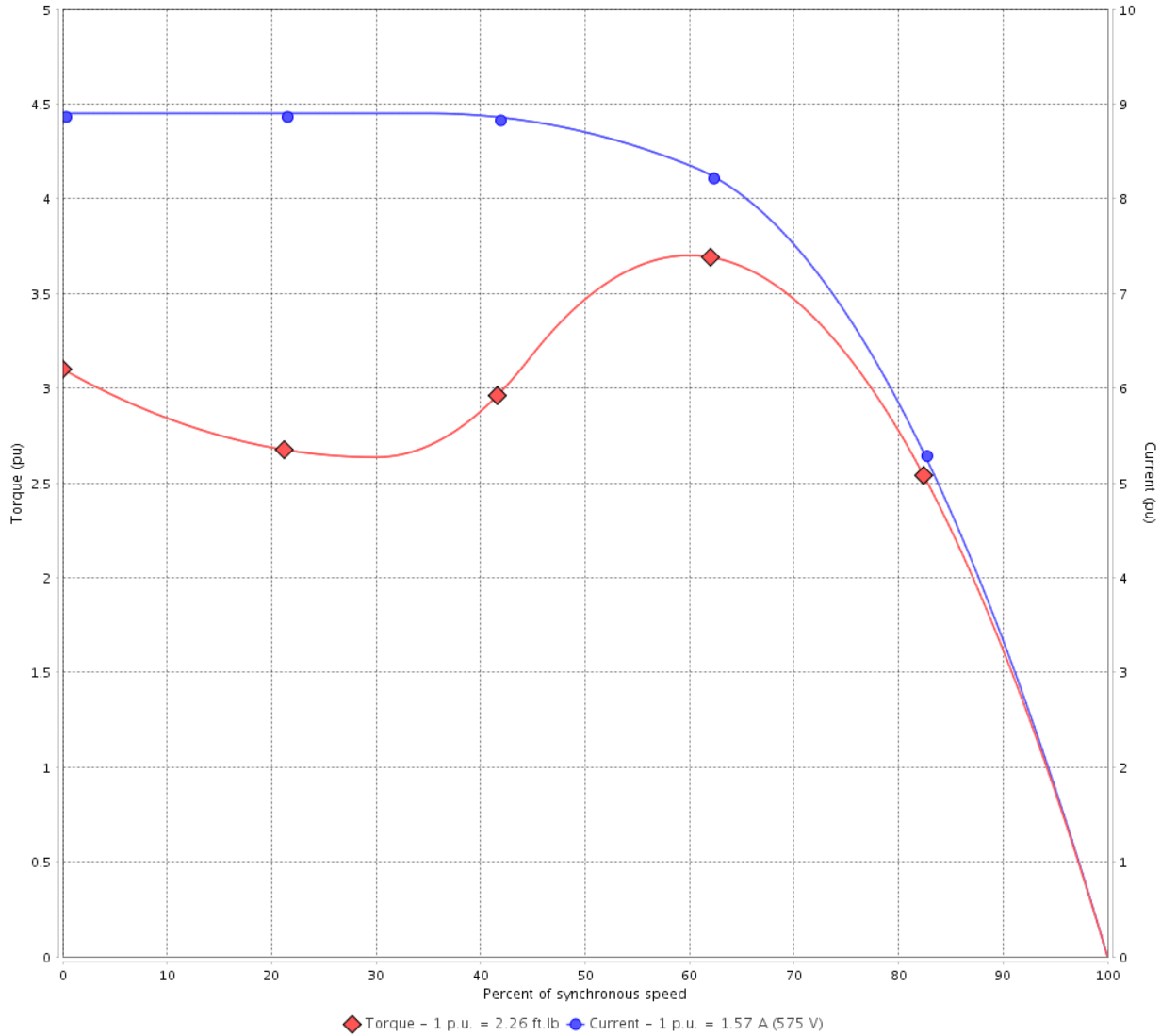
Customer :

Product line : NEMA Premium Efficiency Three-Phase

Product code : 12445718

Catalog # : 00156ET3H143T-W22

TORQUE AND CURRENT VS SPEED CURVE



Performance : 575 V 60 Hz 2P

Rated current	: 1.57 A	Moment of inertia (J)	: 0.0470 sq.ft.lb
LRC	: 8.9	Duty cycle	: Cont.(S1)
Rated torque	: 2.26 ft.lb	Insulation class	: F
Locked rotor torque	: 310 %	Service factor	: 1.25
Breakdown torque	: 370 %	Temperature rise	: 80 K
Rated speed	: 3480 rpm	Design	: B

Locked rotor time : 37s (cold) 21s (hot)

Rev.	Changes Summary	Performed	Checked	Date
Performed by			Page 2 / 6	Revision
Checked by				
Date	12/04/2022			

LOAD PERFORMANCE CURVE

Three Phase Induction Motor - Squirrel Cage

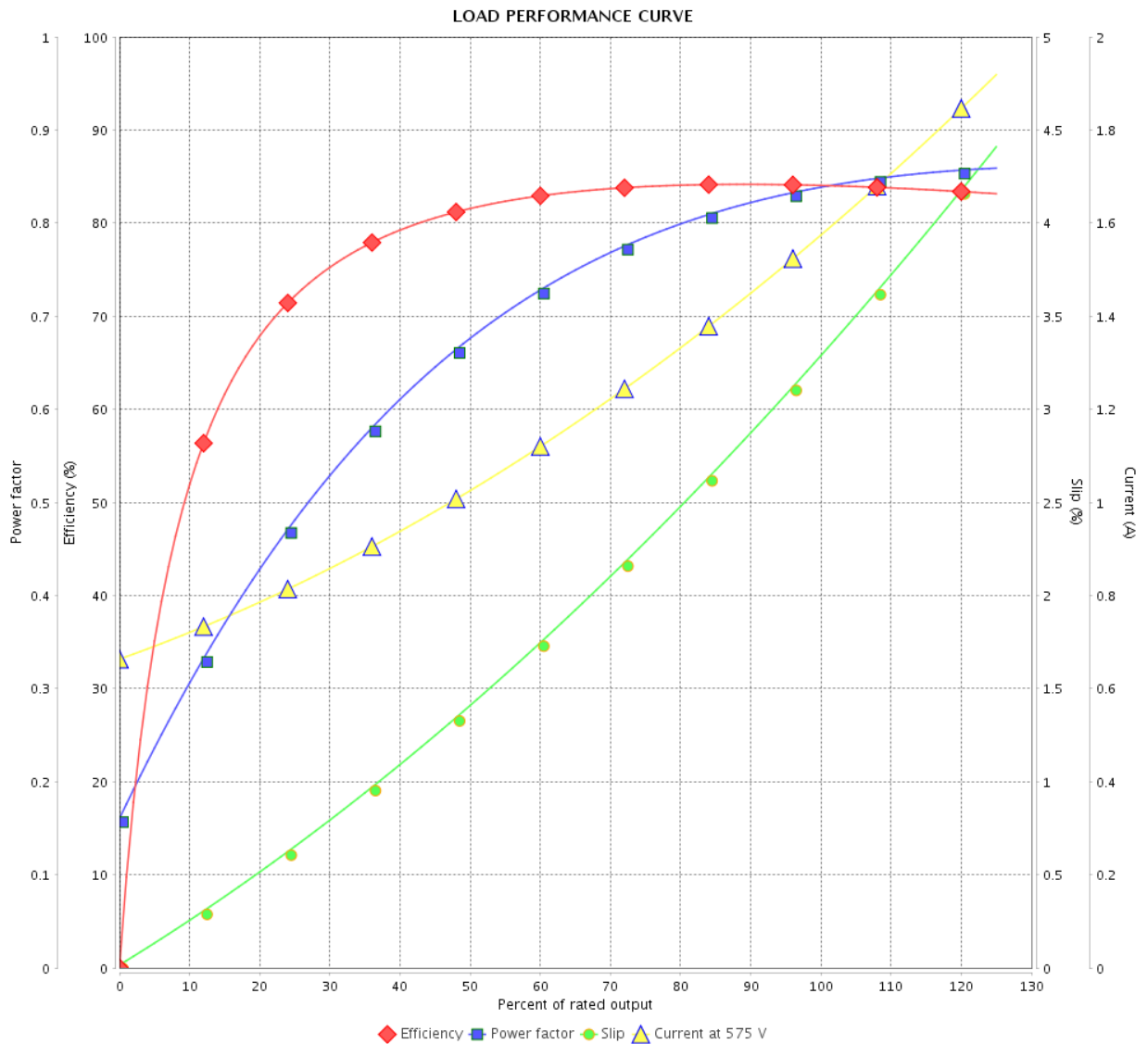


Customer :

Product line : NEMA Premium Efficiency Three-Phase

Product code : 12445718

Catalog # : 00156ET3H143T-W22



Performance : 575 V 60 Hz 2P

Rated current : 1.57 A
 LRC : 8.9
 Rated torque : 2.26 ft.lb
 Locked rotor torque : 310 %
 Breakdown torque : 370 %
 Rated speed : 3480 rpm

Moment of inertia (J) : 0.0470 sq.ft.lb
 Duty cycle : Cont.(S1)
 Insulation class : F
 Service factor : 1.25
 Temperature rise : 80 K
 Design : B

Rev.	Changes Summary	Performed	Checked	Date
Performed by			Page	Revision
Checked by				
Date				
			3 / 6	

THERMAL LIMIT CURVE



Three Phase Induction Motor - Squirrel Cage

Customer :

Product line : NEMA Premium Efficiency Three-Phase
Product code : 12445718
Catalog # : 00156ET3H143T-W22

Performance : 575 V 60 Hz 2P

Rated current	: 1.57 A	Moment of inertia (J)	: 0.0470 sq.ft.lb
LRC	: 8.9	Duty cycle	: Cont.(S1)
Rated torque	: 2.26 ft.lb	Insulation class	: F
Locked rotor torque	: 310 %	Service factor	: 1.25
Breakdown torque	: 370 %	Temperature rise	: 80 K
Rated speed	: 3480 rpm	Design	: B

Heating constant

Cooling constant

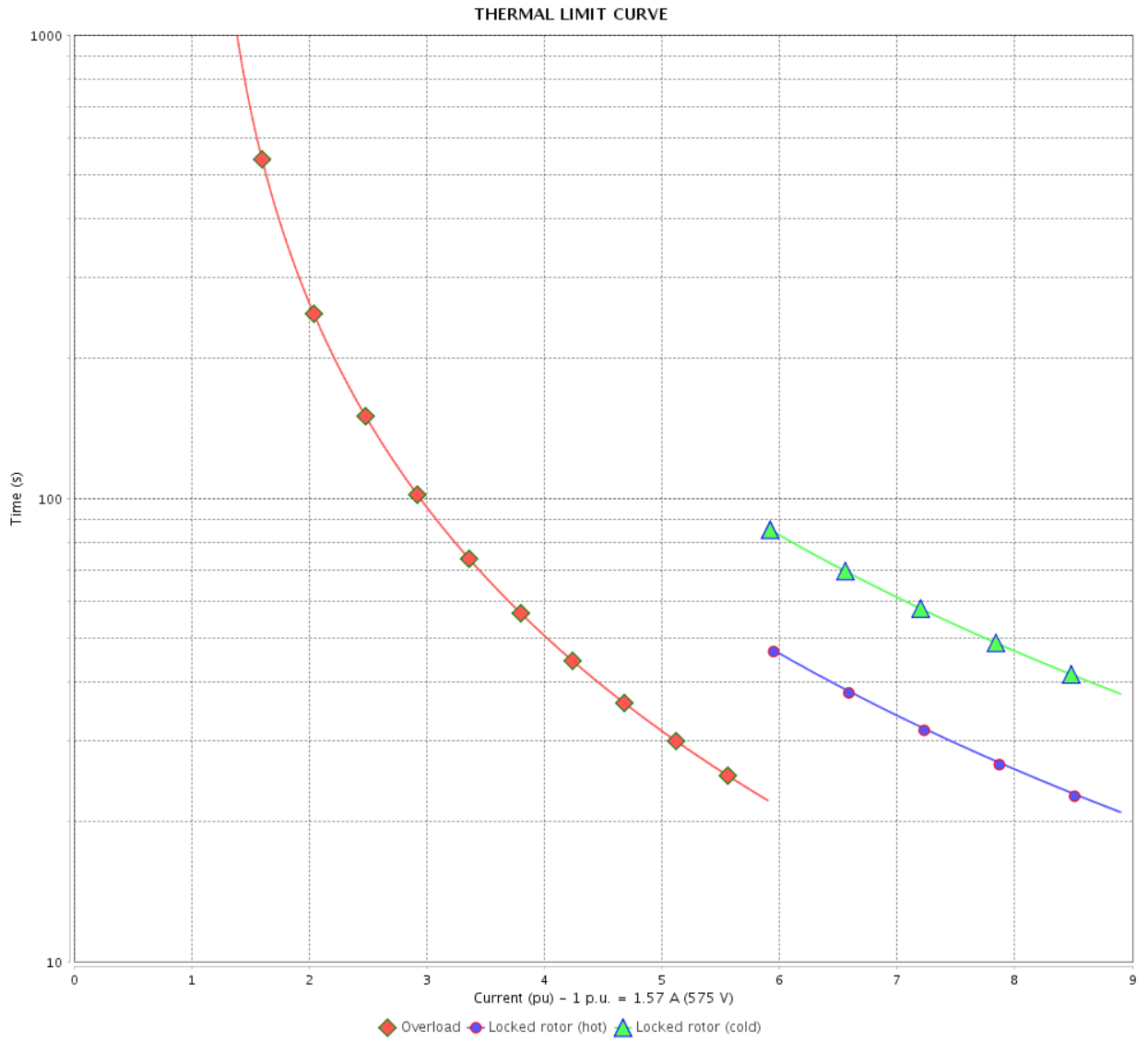
Rev.	Changes Summary	Performed	Checked	Date
Performed by				
Checked by			Page	Revision
Date	12/04/2022		4 / 6	

THERMAL LIMIT CURVE

Three Phase Induction Motor - Squirrel Cage



Customer : _____



Rev.	Changes Summary	Performed	Checked	Date
Performed by		Page 5 / 6		Revision
Checked by				
Date				

VFD OPERATION CURVE

Three Phase Induction Motor - Squirrel Cage



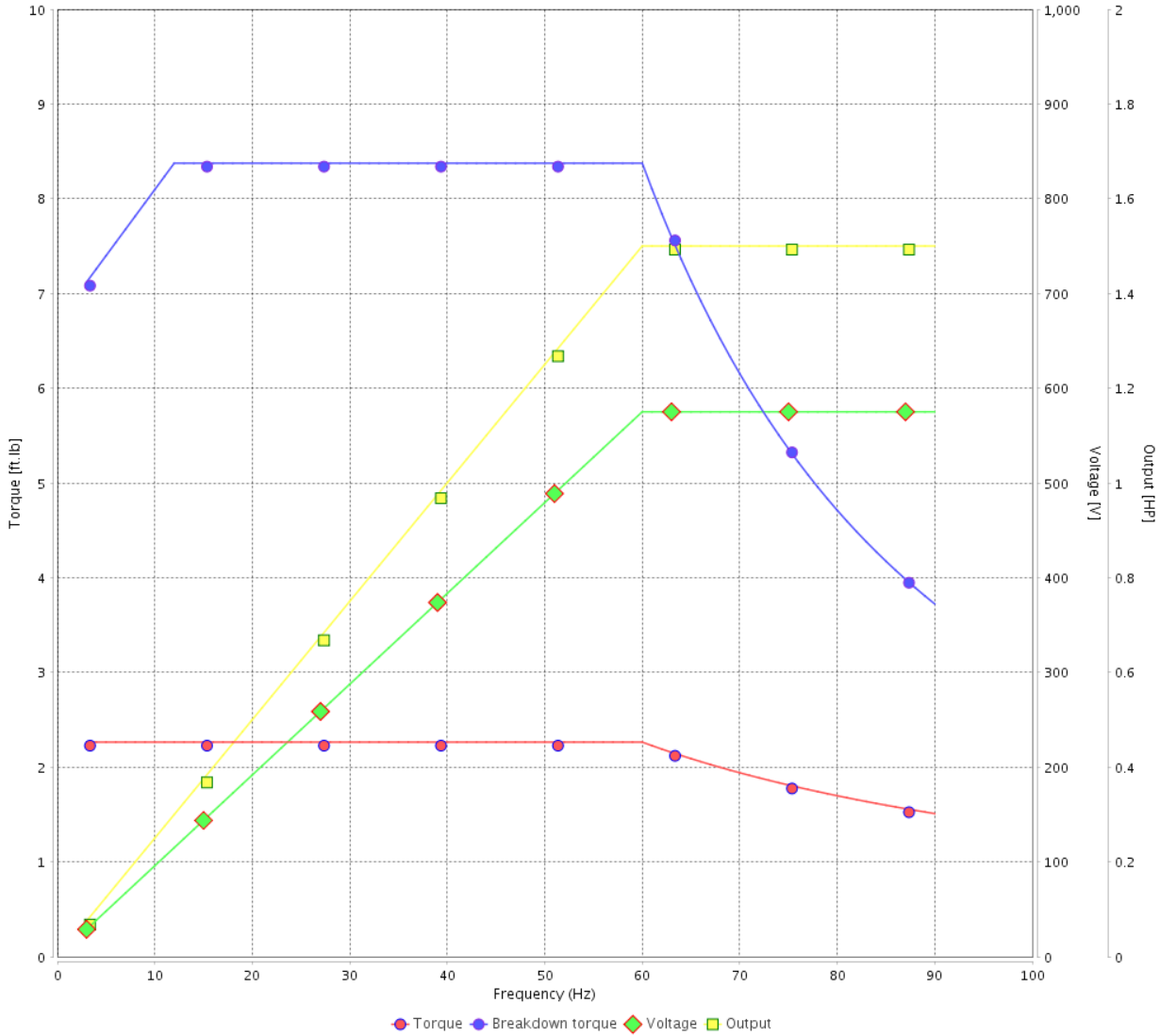
Customer :

Product line : NEMA Premium Efficiency Three-Phase

Product code : 12445718

Catalog # : 00156ET3H143T-W22

VFD OPERATION CURVE

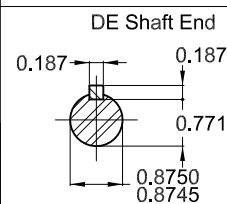
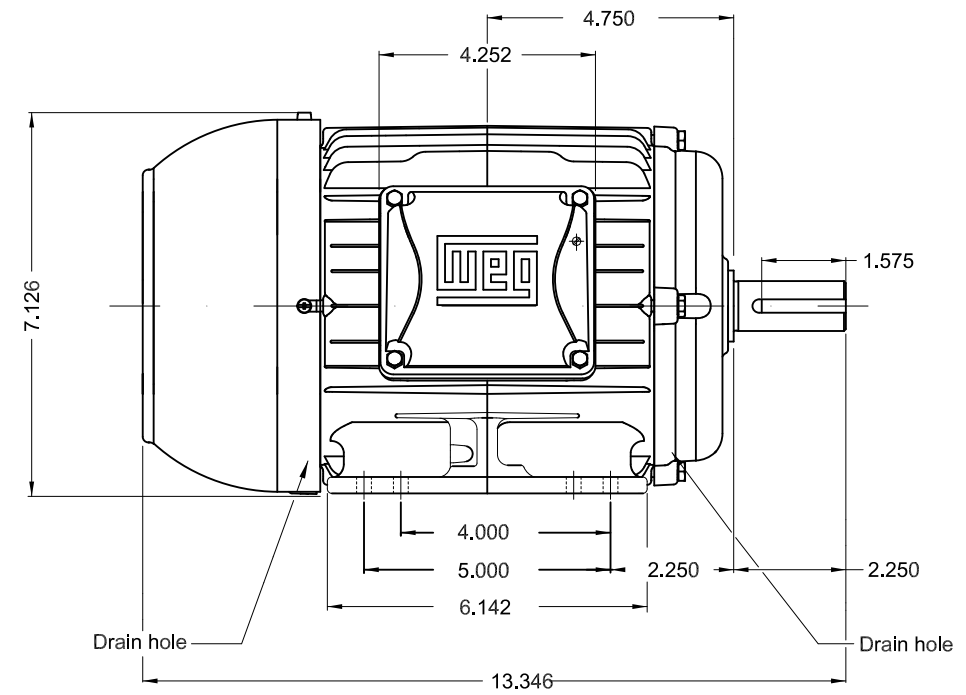
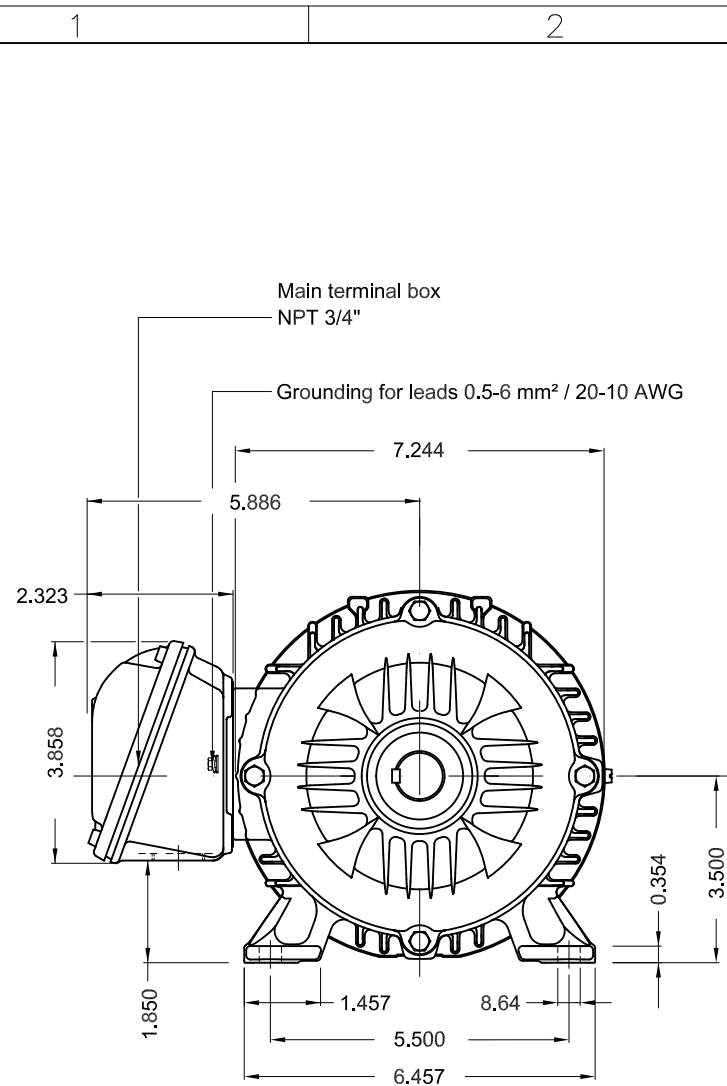


Performance : 575 V 60 Hz 2P

Rated current : 1.57 A
 LRC : 8.9
 Rated torque : 2.26 ft.lb
 Locked rotor torque : 310 %
 Breakdown torque : 370 %
 Rated speed : 3480 rpm

Moment of inertia (J) : 0.0470 sq.ft.lb
 Duty cycle : Cont.(S1)
 Insulation class : F
 Service factor : 1.25
 Temperature rise : 80 K
 Design : B

Rev.	Changes Summary	Performed	Checked	Date
Performed by			Page	Revision
Checked by				
Date				



Color RAL 5009
Painting plan 207A
Mounting B3R(D)

1.5 HP 02 Poles 60 Hz

A

ECM	LOC	SUMMARY OF MODIFICATIONS	EXECUTED	CHECKED	RELEASED	DATE	VER
EXECUTED	PIRWBUSER	THREE PH. MOTOR W22 PREM. EFF.					
CHECKED		FRAME 143/5T IP55 TEFC					
RELEASED							
REL DT.	WMO	Jaragua do Sul	Product Engineering				

PREVIEW
WDD



SHEET 1 / 1

Dimensions in inches

XME A3

MADE IN MEXICO
12445718



MODEL 00156ET3H143T-W22

Inverter Duty Motor
Severe Duty



Class I, Div 2, Gr A, B, C and D - T3
Class I, Zone 2, IIC - T3
Class II, Div 2, Gr F and G - T5
For use on PWM: Gr. A, B, C, D, F and G,
VT 1000:1, CT 20:1, 1.00SF - T4A



FOR SAFE AREA
Mod. TE1BFOXON
CC029A

PH3 60Hz Fr. 143/5T 1000m.a.s.l. IP55 TEFC 44lb

V 575

A 1.57

HP 1.5

kW 1.1

SF 1.25

SFA 1.96

RPM 3480

PF 0.84

AMB 40°C

INS cl. F DT80K

NEMA NOM EFF 84.0%

DUTY CONT.

DES B Code L

