

DATA SHEET



Three Phase Induction Motor - Squirrel Cage

Customer	:				
Product line	: Premium Efficiency Three-Phase		Product code :	14798723	
			Catalog # :	00156ET3H56C-S	
Frame	: 56C		Locked rotor time	: 30s (cold) 17s (hot)	
Output	: 1.5 HP (1.1 kW)		Temperature rise	: 80 K	
Poles	: 2		Duty cycle	: Cont.(S1)	
Frequency	: 60 Hz		Ambient temperature	: -20°C to +40°C	
Rated voltage	: 575 V		Altitude	: 1000 m.a.s.l.	
Rated current	: 1.50 A		Protection degree	: IP55	
L. R. Amperes	: 13.6 A		Cooling method	: IC411 - TEFC	
LRC	: 9.1x(Code L)		Mounting	: F-1	
No load current	: 0.687 A		Rotation ¹	: Both (CW and CCW)	
Rated speed	: 3520 rpm		Noise level ²	: 68.0 dB(A)	
Slip	: 2.22 %		Starting method	: Direct On Line	
Rated torque	: 2.24 ft.lb		Approx. weight ³	: 33.2 lb	
Locked rotor torque	: 229 %				
Breakdown torque	: 300 %				
Insulation class	: F				
Service factor	: 1.15				
Moment of inertia (J)	: 0.1023 sq.ft.lb				
Design	: B				
Output	25%	50%	75%	100%	
Efficiency (%)	78.4	80.0	82.5	84.0	
Power Factor	0.44	0.71	0.82	0.88	
	Foundation loads				
			Max. traction	: 49 lb	
			Max. compression	: 82 lb	
	<u>Drive end</u>		<u>Non drive end</u>		
Bearing type	: 6204 ZZ		: 6202 ZZ		
Sealing	: V'Ring		: Without Bearing Seal		
Lubrication interval	: -		: -		
Lubricant amount	: -		: -		
Lubricant type	: Mobil Polyrex EM				
Notes					
This revision replaces and cancel the previous one, which must be eliminated. (1) Looking the motor from the shaft end. (2) Measured at 1m and with tolerance of +3dB(A). (3) Approximate weight subject to changes after manufacturing process. (4) At 100% of full load.			These are average values based on tests with sinusoidal power supply, subject to the tolerances stipulated in NEMA MG-1.		
Rev.	Changes Summary		Performed	Checked	Date
Performed by					
Checked by				Page	Revision
Date	12/04/2022			1 / 5	

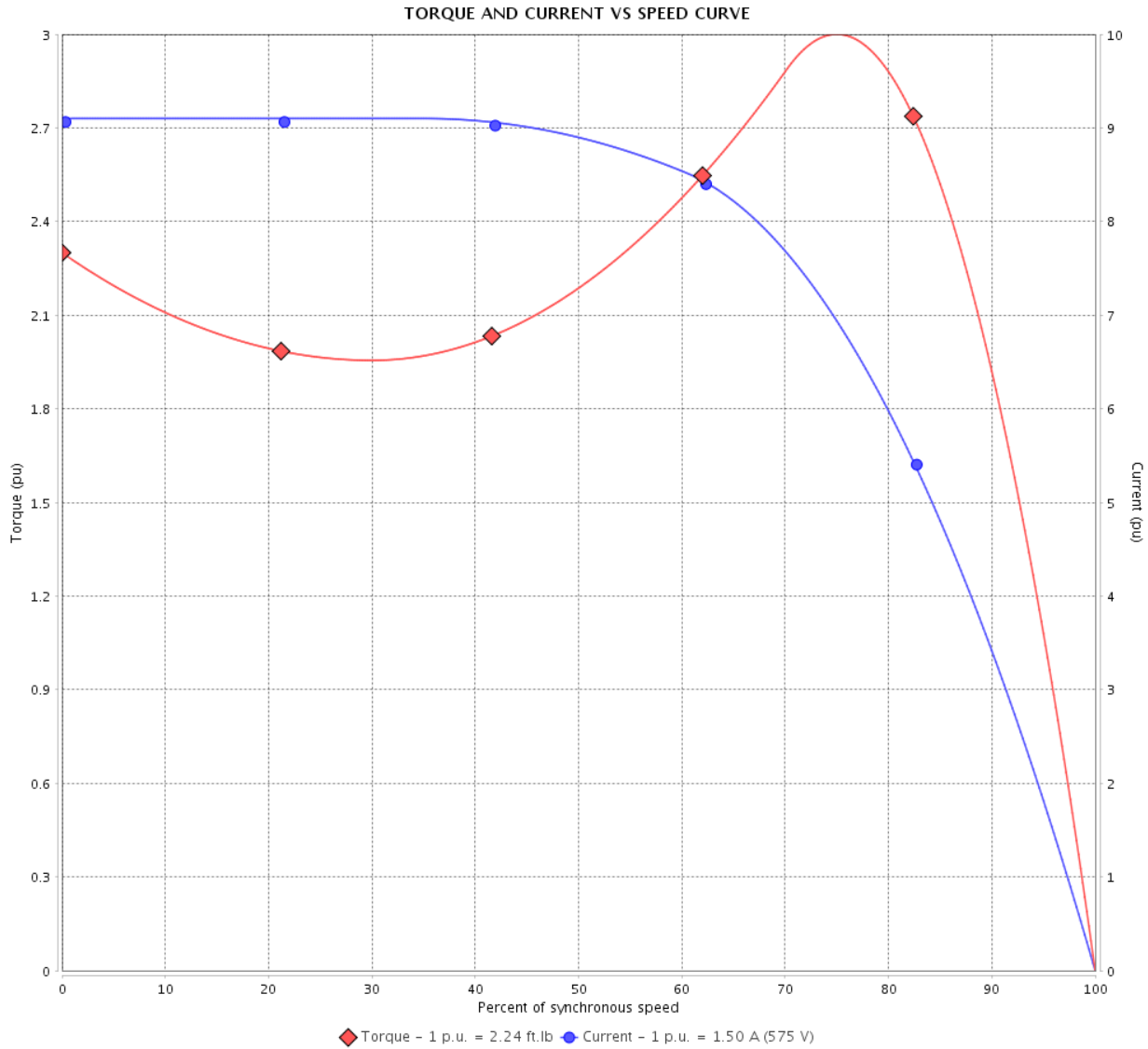
TORQUE AND CURRENT VS SPEED CURVE

Three Phase Induction Motor - Squirrel Cage



Customer :

Product line : Premium Efficiency Three-Phase Product code : 14798723
 Catalog # : 00156ET3H56C-S



Performance : 575 V 60 Hz 2P

Rated current	: 1.50 A	Moment of inertia (J)	: 0.1023 sq.ft.lb
LRC	: 9.1	Duty cycle	: Cont.(S1)
Rated torque	: 2.24 ft.lb	Insulation class	: F
Locked rotor torque	: 229 %	Service factor	: 1.15
Breakdown torque	: 300 %	Temperature rise	: 80 K
Rated speed	: 3520 rpm	Design	: B

Locked rotor time : 30s (cold) 17s (hot)

Rev.	Changes Summary	Performed	Checked	Date
Performed by		Page		Revision
Checked by		2 / 5		
Date	12/04/2022			

LOAD PERFORMANCE CURVE

Three Phase Induction Motor - Squirrel Cage



Customer : _____

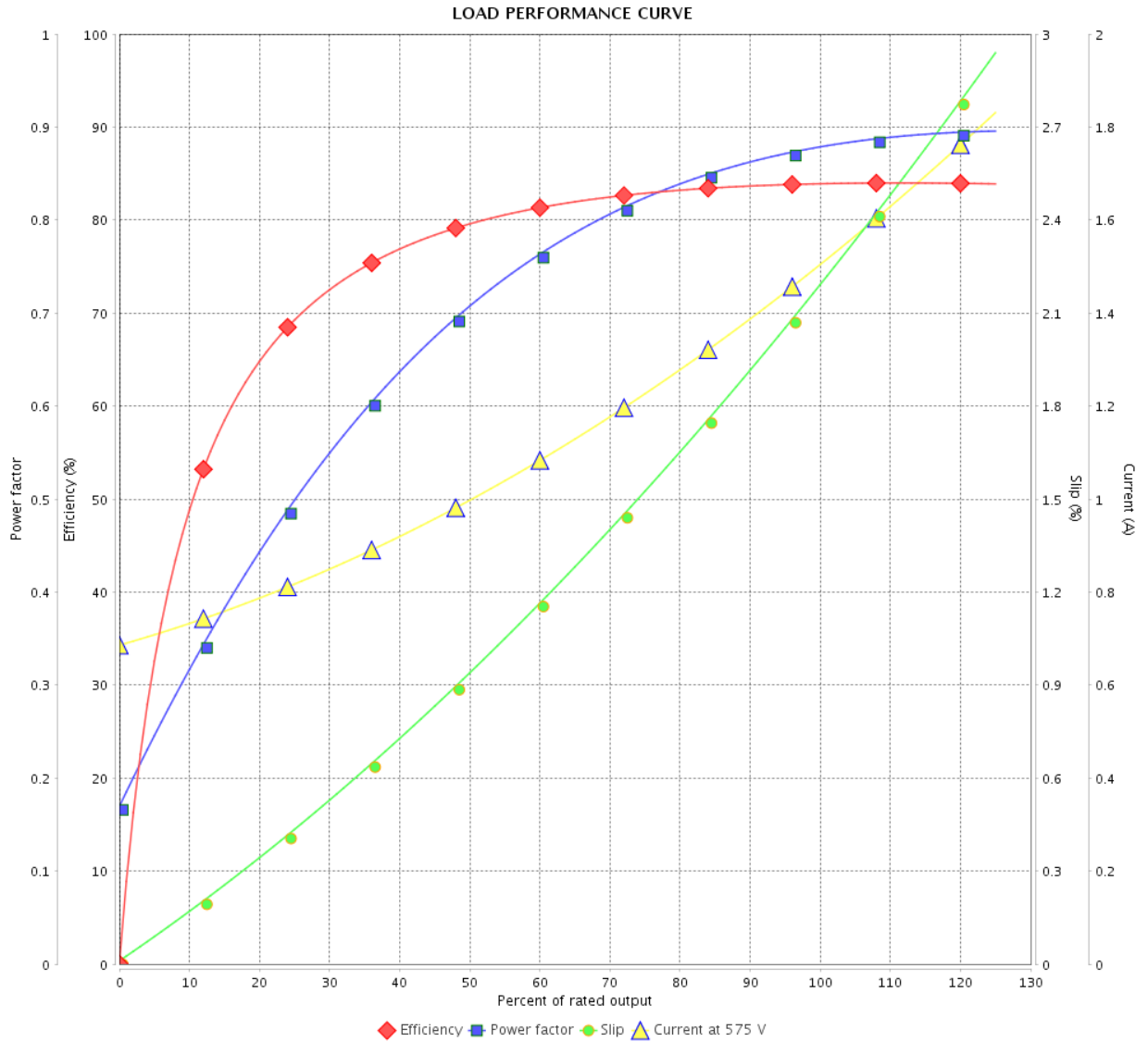
Product line : Premium Efficiency Three-Phase

Product code :

14798723

Catalog # :

00156ET3H56C-S



Performance : 575 V 60 Hz 2P

Rated current : 1.50 A
 LRC : 9.1
 Rated torque : 2.24 ft.lb
 Locked rotor torque : 229 %
 Breakdown torque : 300 %
 Rated speed : 3520 rpm

Moment of inertia (J) : 0.1023 sq.ft.lb
 Duty cycle : Cont.(S1)
 Insulation class : F
 Service factor : 1.15
 Temperature rise : 80 K
 Design : B

Rev.	Changes Summary	Performed	Checked	Date
Performed by				
Checked by				
Date				
		3 / 5		

THERMAL LIMIT CURVE

Three Phase Induction Motor - Squirrel Cage



Customer :

Product line : Premium Efficiency Three-Phase

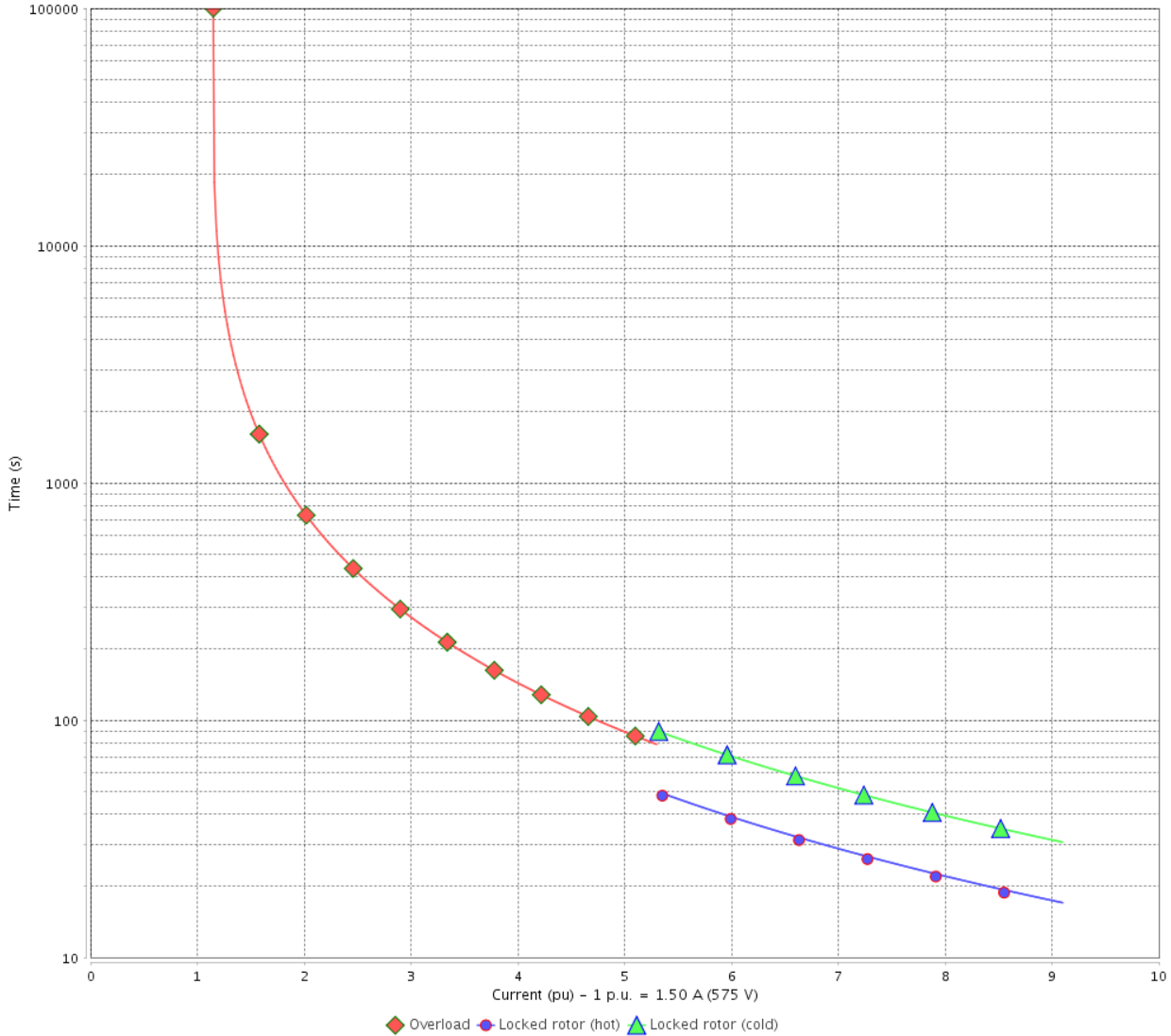
Product code :

14798723

Catalog # :

00156ET3H56C-S

THERMAL LIMIT CURVE



Performance : 575 V 60 Hz 2P

Rated current : 1.50 A
 LRC : 9.1
 Rated torque : 2.24 ft.lb
 Locked rotor torque : 229 %
 Breakdown torque : 300 %
 Rated speed : 3520 rpm

Moment of inertia (J) : 0.1023 sq.ft.lb
 Duty cycle : Cont.(S1)
 Insulation class : F
 Service factor : 1.15
 Temperature rise : 80 K
 Design : B

Heating constant

Cooling constant

Rev.	Changes Summary	Performed	Checked	Date
Performed by			Page	Revision
Checked by				
Date				
			4 / 5	

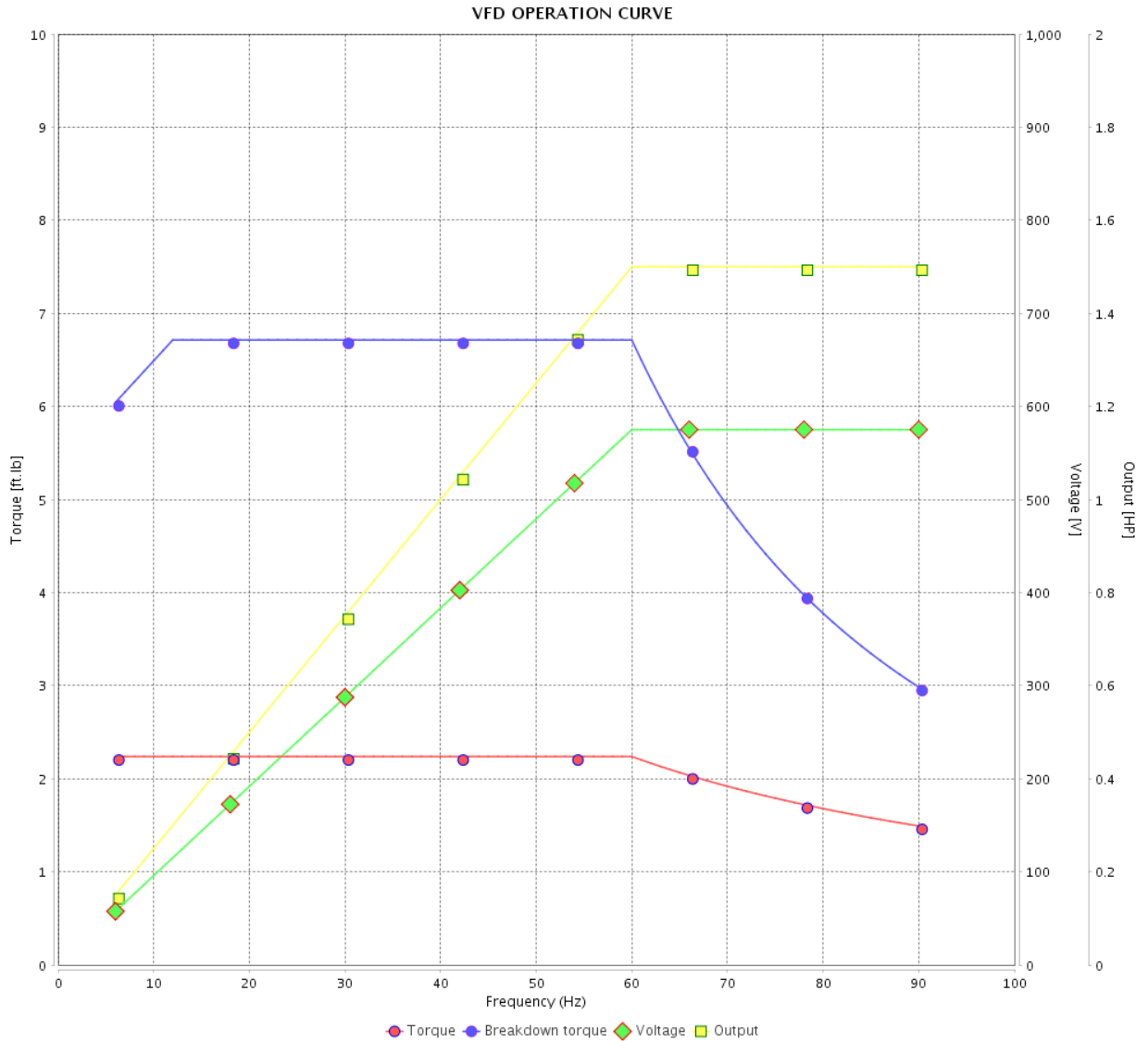
VFD OPERATION CURVE

Three Phase Induction Motor - Squirrel Cage



Customer : _____

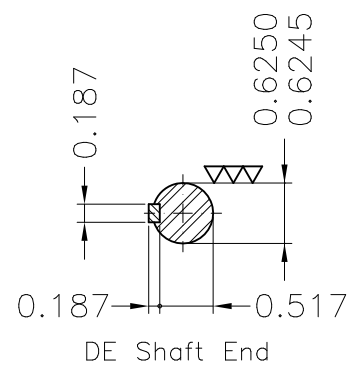
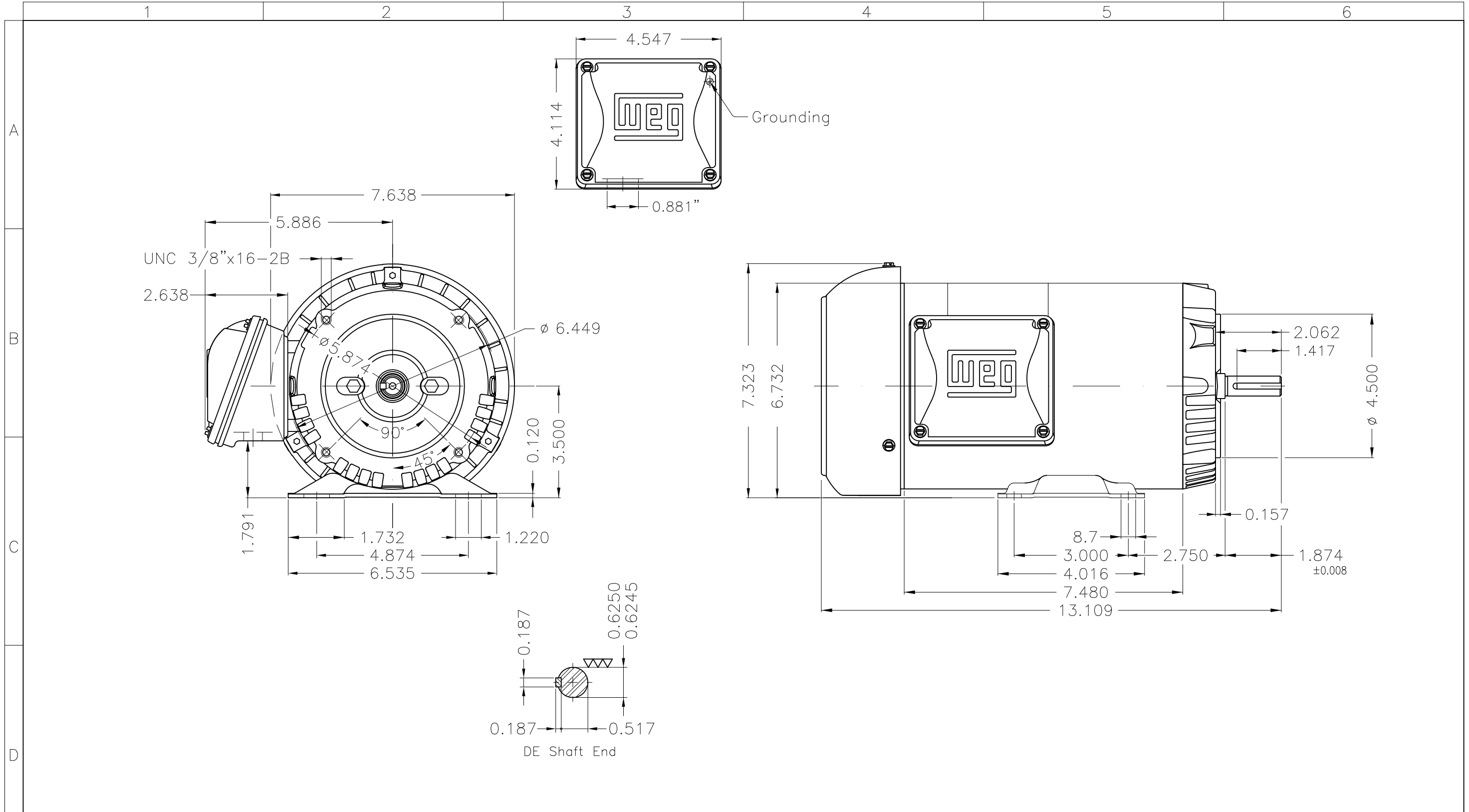
Product line : Premium Efficiency Three-Phase Product code : 14798723
 Catalog # : 00156ET3H56C-S



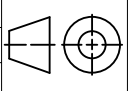
Performance : 575 V 60 Hz 2P

Rated current	: 1.50 A	Moment of inertia (J)	: 0.1023 sq.ft.lb
LRC	: 9.1	Duty cycle	: Cont.(S1)
Rated torque	: 2.24 ft.lb	Insulation class	: F
Locked rotor torque	: 229 %	Service factor	: 1.15
Breakdown torque	: 300 %	Temperature rise	: 80 K
Rated speed	: 3520 rpm	Design	: B

Rev.	Changes Summary	Performed	Checked	Date
Performed by			Page 5 / 5	Revision
Checked by				
Date	12/04/2022			



Fan cover - steel plate
 Color Munsell N 1 matte black
 Painting plan 207N
 Mounting F-1/B34R(D)

ECM	LOC	SUMMARY OF MODIFICATIONS	EXECUTED	CHECKED	RELEASED	DATE	VER
EXECUTED	PIRWUSER	 THREE PH. MOTOR ROLLED STEEL PREM. EFF. FRAME 56C IP55 TEFC					
CHECKED							
RELEASED							
REL DT.	WMO	Jaragua do Sul	Product Engineering	PREVIEW	WDD		

1.5 HP 02 Poles 60 Hz





NEMA
Premium



MADE IN MEXICO

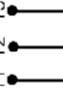

MAT: 14798723 CC029A
W01.TE0IC0X0X
MODEL 00156ET3H56C-S
24MAR2022 B/N:

For 60Hz: Class I, Zone 2, IIC
Class I, Div.2, Gr. A,B,C,D - T3
Div 2 Inverter Duty (SF1.00)
CT 2:1/VT 1000:1

PH 3	Hz 60	HP 1.5
FR 56C		KW 1.1
DUTY CONT.		V 575
ALT 1000 m.a.s.l.		A 1.50
INS CL F AT 80K	IP55	SFA 1.72
AMB 40°C	DES B	SF 1.15
ENCL TEFC	CODE L	PF 0.88
		RPM 3520
		NEMA NOM. EFF 84.0%

For safe area-inverter duty motor For use on VPWM 1000:1 VT, 5:1 CT

DE 6204-ZZ ODE 6202-ZZ MOBIL POLYREX EM

T1 T2 T3

 L1 L2 L3


T1-BLU
T2-WHT
T3-ORG



INTERCHANGE ANY TWO LINE WIRES TO REVERSE THE ROTATION

WARNING: Motor must be grounded in accordance with local and national electrical codes to prevent serious electrical shocks. Disconnect power source before servicing unit.



AVERTISSEMENT: Le moteur doit être mis à la terre

conformément aux codes électriques locaux et nationaux afin d'éviter tout choc électrique grave. Déconnectez l'alimentation avant l'entretien de la machine.

