

DATA SHEET

Three Phase Induction Motor - Squirrel Cage



Customer :				
Product line	: JP Pump NEMA Premium Efficiency Three-Phase	Product code :	12682711	
		Catalog # :	00156OT3E143JP-S	
Frame	: 143/5JP	Cooling method	: IC01 - ODP	
Insulation class	: F	Mounting	: F-1	
Duty cycle	: Cont.(S1)	Rotation ¹	: Both (CW and CCW)	
Ambient temperature	: -20°C to +40°C	Starting method	: Direct On Line	
Altitude	: 1000 m.a.s.l.	Approx. weight ²	: 32.6 lb	
Design	: B	Moment of inertia (J)	: 0.0835 sq.ft.lb	
Output [HP]	1.5	1.5	1.5	
Poles	2	2	2	
Frequency [Hz]	60	50	50	
Rated voltage [V]	230/460	190/380	220/415	
Rated current [A]	3.70/1.85	4.40/2.20	4.02/2.13	
L. R. Amperes [A]	31.8/15.9	29.5/14.7	29.7/15.8	
LRC [A]	8.6x(Code K)	6.7x(Code H)	7.4x(Code J)	
No load current [A]	1.62/0.809	1.59/0.796	1.66/0.881	
Rated speed [RPM]	3510	2890	2900	
Slip [%]	2.50	3.67	3.33	
Rated torque [ft.lb]	2.24	2.73	2.72	
Locked rotor torque [%]	210	180	200	
Breakdown torque [%]	330	250	280	
Service factor		1.15	1.15	
Temperature rise	80 K	80 K	80 K	
Locked rotor time	34s (cold) 19s (hot)	0s (cold) 0s (hot)	0s (cold) 0s (hot)	
Noise level ²	62.0 dB(A)	60.0 dB(A)	60.0 dB(A)	
Efficiency (%)	25%	81.1	82.1	
	50%	81.5	81.9	
	75%	84.0	83.5	
	100%	84.0	82.9	
Power Factor	25%	0.45	0.47	
	50%	0.73	0.75	
	75%	0.83	0.85	
	100%	0.89	0.90	
Bearing type	: <u>Drive end</u> 6206 ZZ <u>Non drive end</u> 6203 ZZ	Foundation loads		
Sealing	: Without Without Bearing Seal Bearing Seal	Max. traction	: 50 lb	
		Max. compression	: 82 lb	
Lubrication interval	: - -			
Lubricant amount	: - -			
Lubricant type	: Mobil Polyrex EM			
Notes USABLE @208V 4.09A SF 1.00 SFA 4.09A				
This revision replaces and cancel the previous one, which must be eliminated. (1) Looking the motor from the shaft end. (2) Measured at 1m and with tolerance of +3dB(A). (3) Approximate weight subject to changes after manufacturing process. (4) At 100% of full load.		These are average values based on tests with sinusoidal power supply, subject to the tolerances stipulated in NEMA MG-1.		
Rev.	Changes Summary	Performed	Checked	Date
Performed by				
Checked by			Page	Revision
Date	12/04/2022		1 /	

TORQUE AND CURRENT VS SPEED CURVE

Three Phase Induction Motor - Squirrel Cage



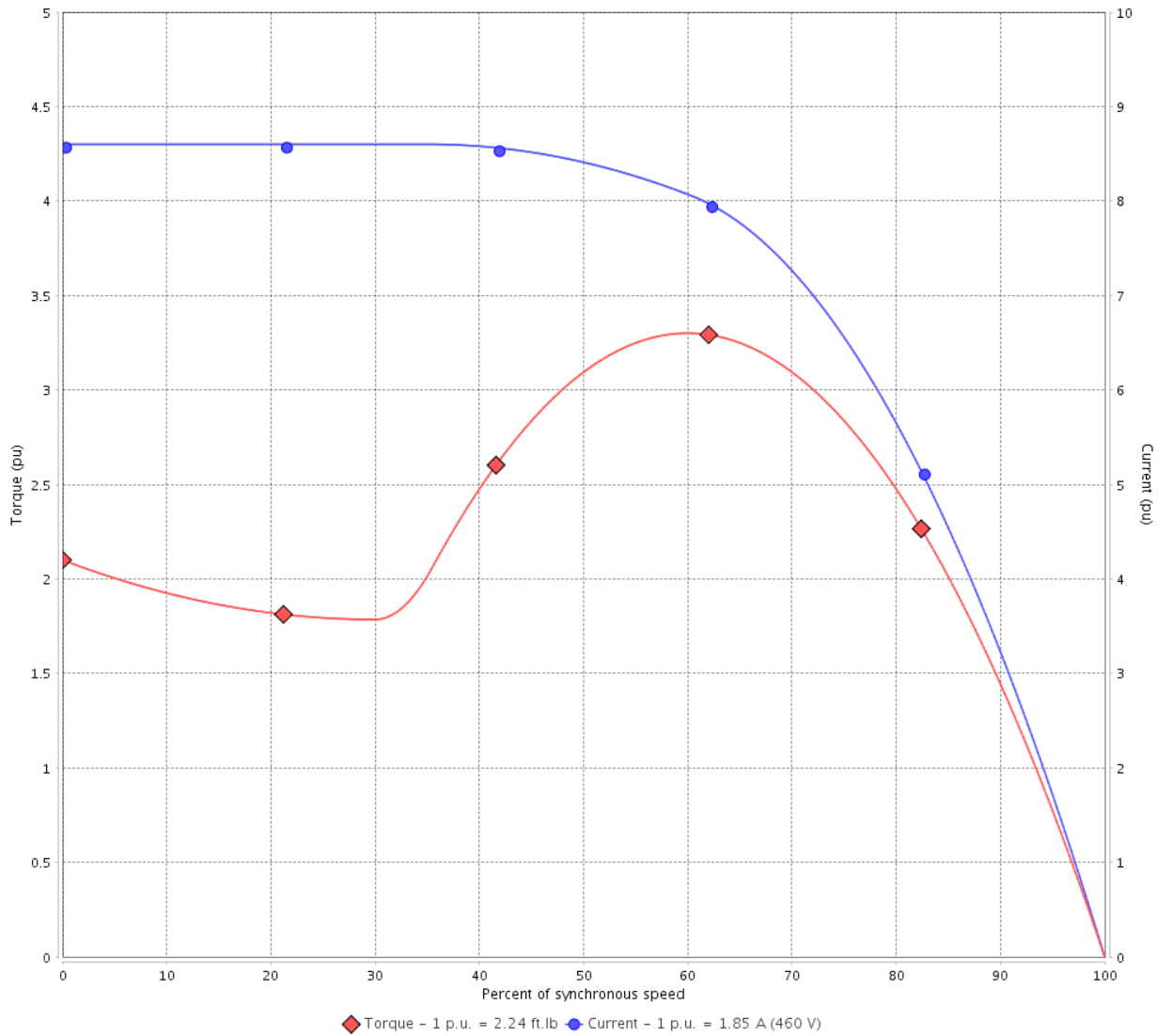
Customer :

Product line : JP Pump NEMA Premium
Efficiency Three-Phase

Product code : 12682711

Catalog # : 00156OT3E143JP-S

TORQUE AND CURRENT VS SPEED CURVE



Performance : 230/460 V 60 Hz 2P

Rated current : 3.70/1.85 A
LRC : 8.6
Rated torque : 2.24 ft.lb
Locked rotor torque : 210 %
Breakdown torque : 330 %
Rated speed : 3510 rpm

Moment of inertia (J) : 0.0835 sq.ft.lb
Duty cycle : Cont.(S1)
Insulation class : F
Service factor :
Temperature rise : 80 K
Design : B

Locked rotor time : 34s (cold) 19s (hot)

Rev.	Changes Summary	Performed	Checked	Date
Performed by			Page 2 /	Revision
Checked by				
Date	12/04/2022			

TORQUE AND CURRENT VS SPEED CURVE



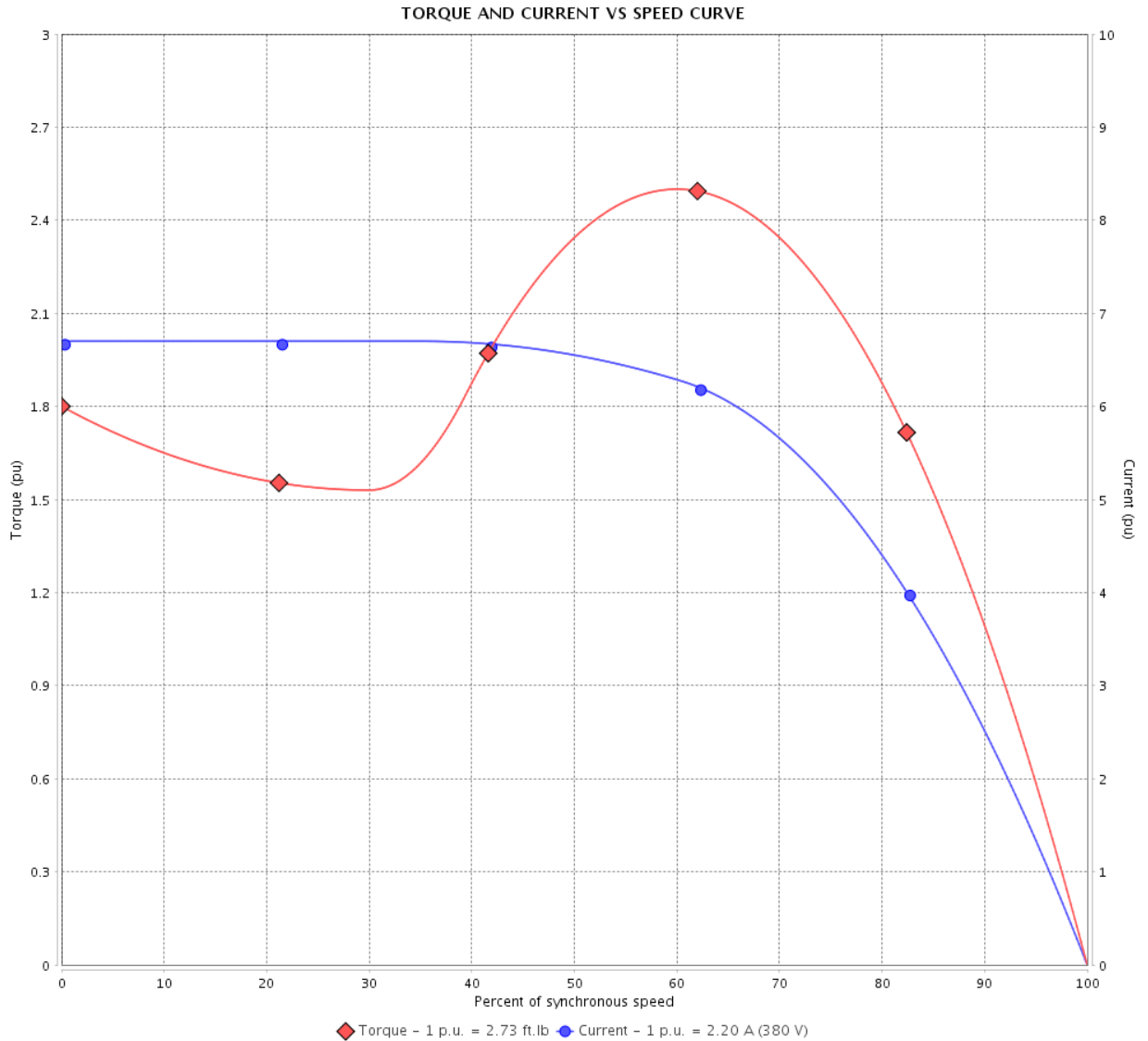
Three Phase Induction Motor - Squirrel Cage

Customer :

Product line : JP Pump NEMA Premium Efficiency Three-Phase

Product code : 12682711

Catalog # : 00156OT3E143JP-S



Performance : 190/380 V 50 Hz 2P

Rated current : 4.40/2.20 A
 LRC : 6.7
 Rated torque : 2.73 ft.lb
 Locked rotor torque : 180 %
 Breakdown torque : 250 %
 Rated speed : 2890 rpm

Moment of inertia (J) : 0.0835 sq.ft.lb
 Duty cycle : Cont.(S1)
 Insulation class : F
 Service factor : 1.15
 Temperature rise : 80 K
 Design : B

Locked rotor time : 0s (cold) 0s (hot)

Rev.	Changes Summary	Performed	Checked	Date
Performed by			Page 3 /	Revision
Checked by				
Date	12/04/2022			

TORQUE AND CURRENT VS SPEED CURVE

Three Phase Induction Motor - Squirrel Cage



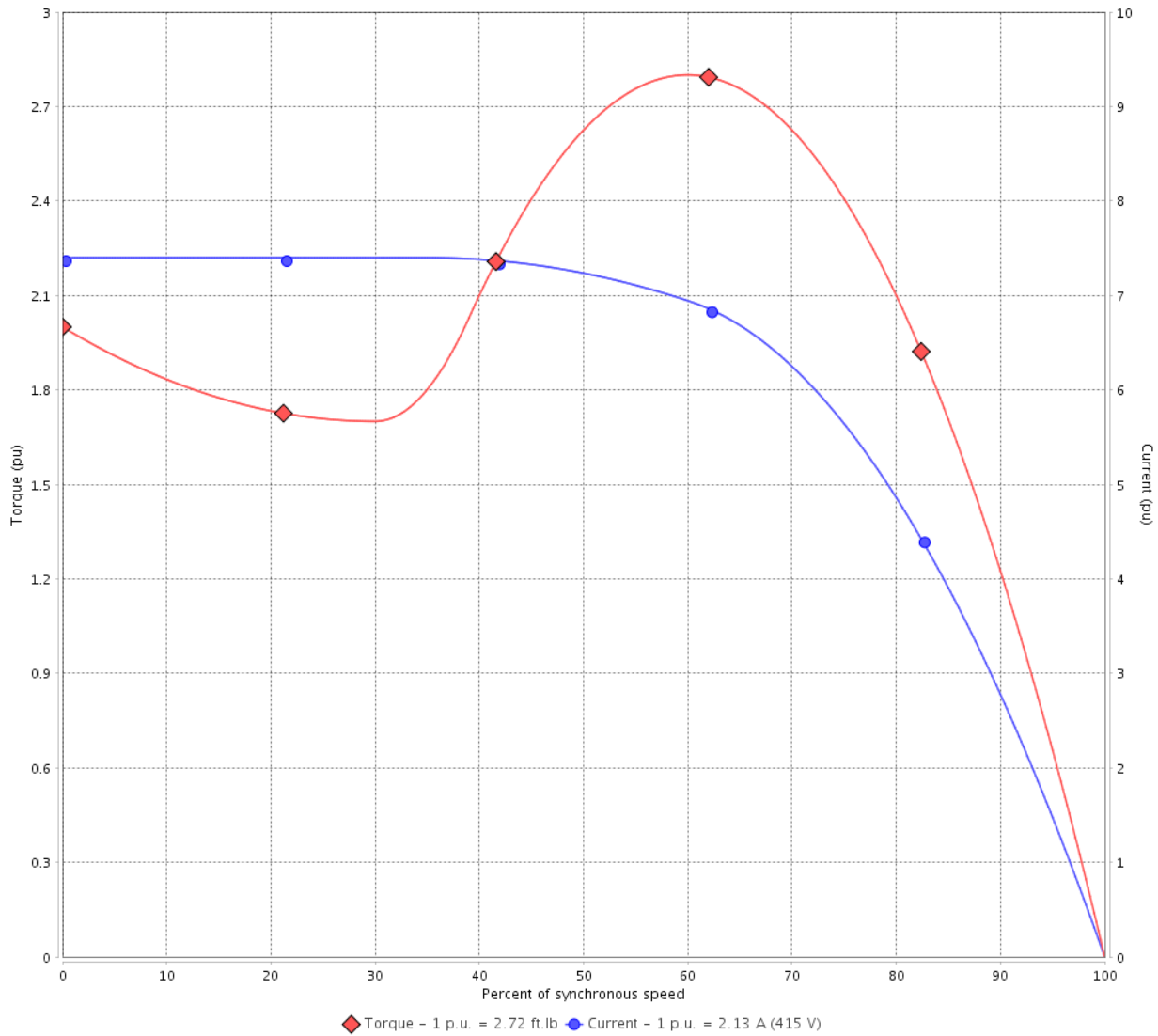
Customer :

Product line : JP Pump NEMA Premium
Efficiency Three-Phase

Product code : 12682711

Catalog # : 00156OT3E143JP-S

TORQUE AND CURRENT VS SPEED CURVE



Performance : 220/415 V 50 Hz 2P

Rated current : 4.02/2.13 A
LRC : 7.4
Rated torque : 2.72 ft.lb
Locked rotor torque : 200 %
Breakdown torque : 280 %
Rated speed : 2900 rpm

Moment of inertia (J) : 0.0835 sq.ft.lb
Duty cycle : Cont.(S1)
Insulation class : F
Service factor : 1.15
Temperature rise : 80 K
Design : B

Locked rotor time : 0s (cold) 0s (hot)

Rev.	Changes Summary	Performed	Checked	Date
Performed by			Page 4 /	Revision
Checked by				
Date	12/04/2022			

LOAD PERFORMANCE CURVE

Three Phase Induction Motor - Squirrel Cage

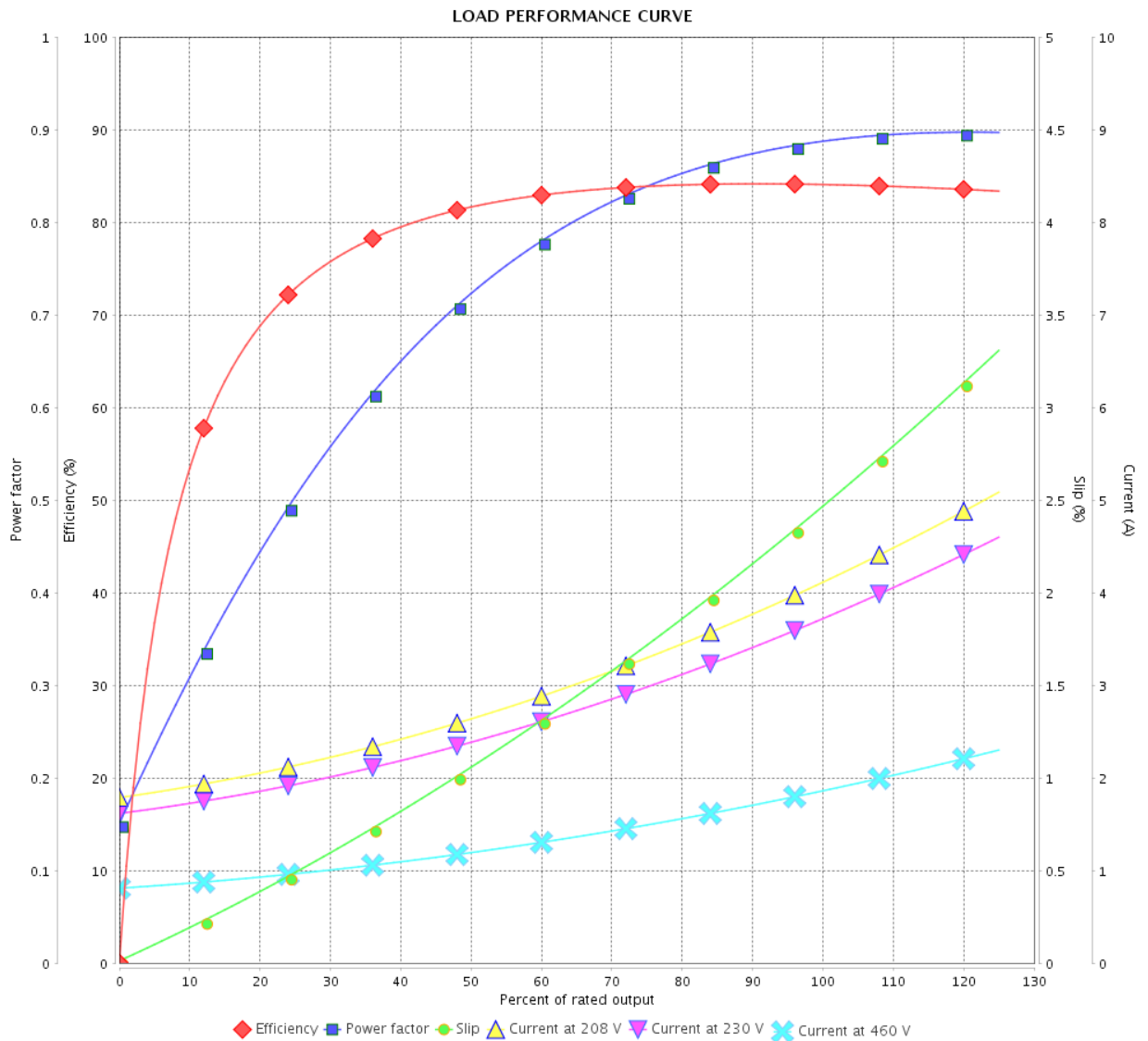


Customer :

Product line : JP Pump NEMA Premium Efficiency Three-Phase

Product code : 12682711

Catalog # : 00156OT3E143JP-S



Performance : 230/460 V 60 Hz 2P

Rated current : 3.70/1.85 A
 LRC : 8.6
 Rated torque : 2.24 ft.lb
 Locked rotor torque : 210 %
 Breakdown torque : 330 %
 Rated speed : 3510 rpm

Moment of inertia (J) : 0.0835 sq.ft.lb
 Duty cycle : Cont.(S1)
 Insulation class : F
 Service factor :
 Temperature rise : 80 K
 Design : B

Rev.	Changes Summary	Performed	Checked	Date
Performed by			Page 5 /	Revision
Checked by				
Date	12/04/2022			

LOAD PERFORMANCE CURVE

Three Phase Induction Motor - Squirrel Cage



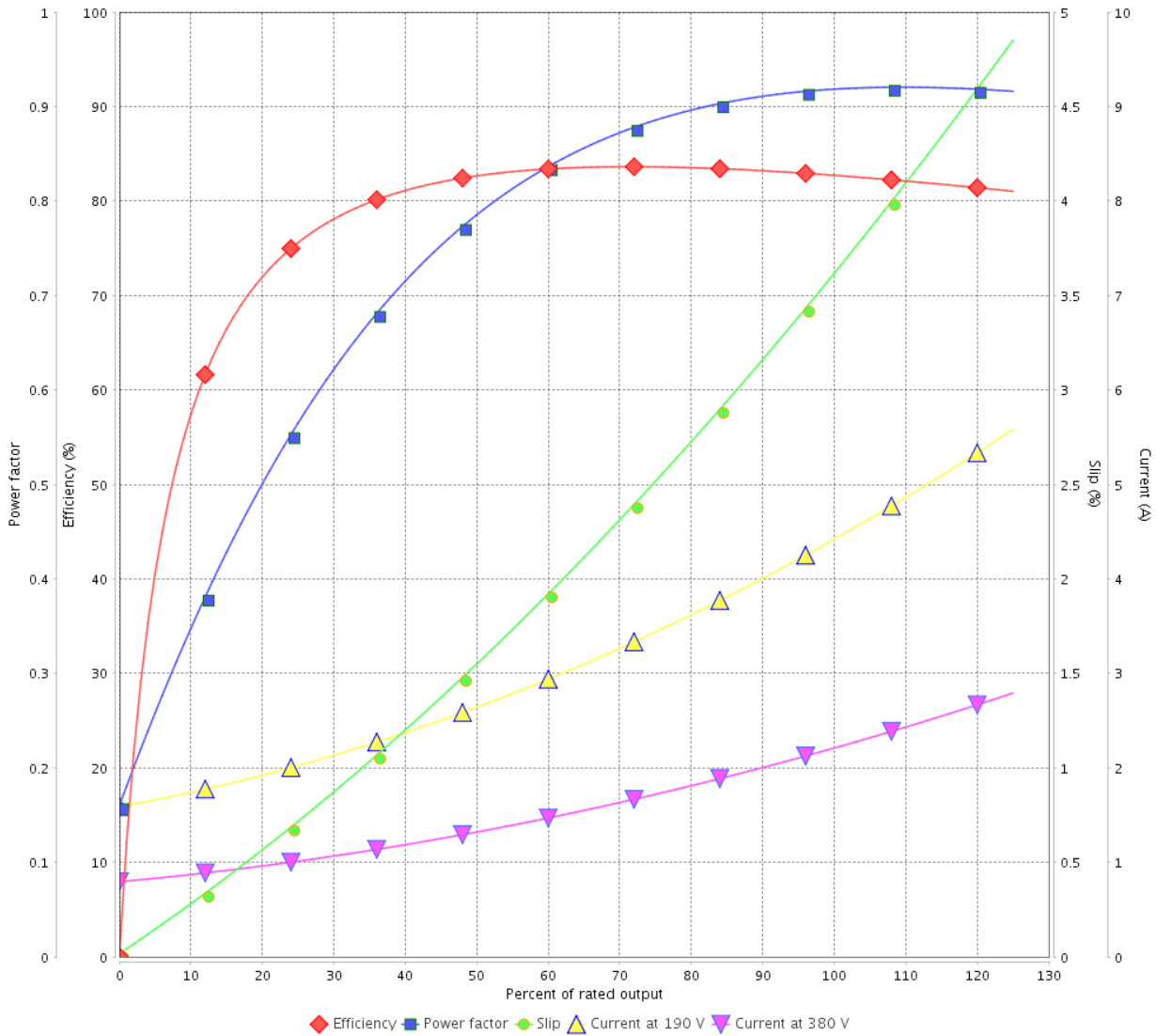
Customer :

Product line : JP Pump NEMA Premium
Efficiency Three-Phase

Product code : 12682711

Catalog # : 00156OT3E143JP-S

LOAD PERFORMANCE CURVE



Performance : 190/380 V 50 Hz 2P

Rated current : 4.40/2.20 A
LRC : 6.7
Rated torque : 2.73 ft.lb
Locked rotor torque : 180 %
Breakdown torque : 250 %
Rated speed : 2890 rpm

Moment of inertia (J) : 0.0835 sq.ft.lb
Duty cycle : Cont.(S1)
Insulation class : F
Service factor : 1.15
Temperature rise : 80 K
Design : B

Rev.	Changes Summary	Performed	Checked	Date
Performed by			Page 6 /	Revision
Checked by				
Date	12/04/2022			

LOAD PERFORMANCE CURVE

Three Phase Induction Motor - Squirrel Cage

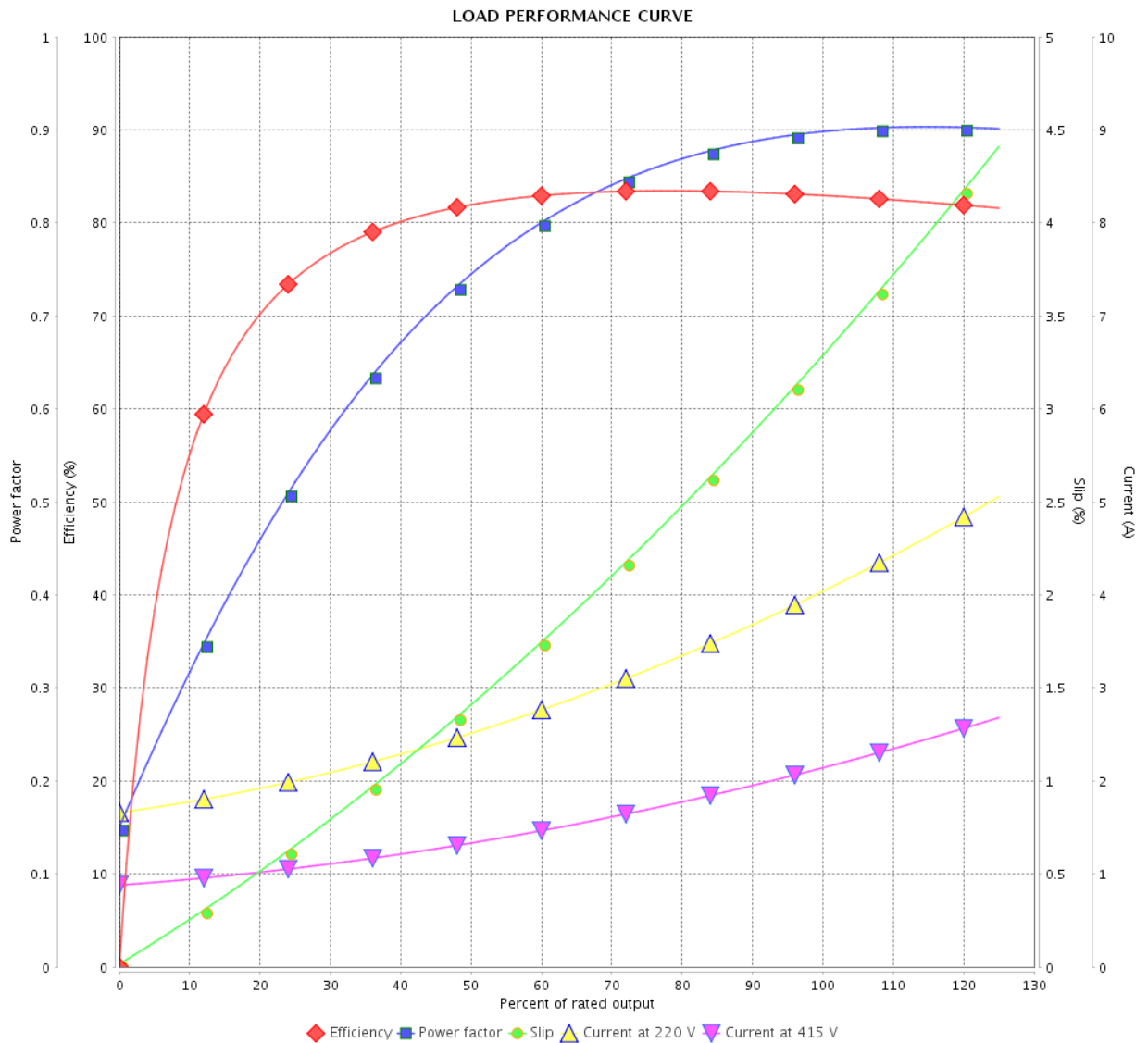


Customer : _____

Product line : JP Pump NEMA Premium
Efficiency Three-Phase

Product code : 12682711

Catalog # : 00156OT3E143JP-S



Performance : 220/415 V 50 Hz 2P

Rated current : 4.02/2.13 A
 LRC : 7.4
 Rated torque : 2.72 ft.lb
 Locked rotor torque : 200 %
 Breakdown torque : 280 %
 Rated speed : 2900 rpm

Moment of inertia (J) : 0.0835 sq.ft.lb
 Duty cycle : Cont.(S1)
 Insulation class : F
 Service factor : 1.15
 Temperature rise : 80 K
 Design : B

Rev.	Changes Summary	Performed	Checked	Date
Performed by		Page		Revision
Checked by		7 /		
Date		12/04/2022		

THERMAL LIMIT CURVE



Three Phase Induction Motor - Squirrel Cage

Customer :

Product line : JP Pump NEMA Premium
Efficiency Three-Phase

Product code : 12682711

Catalog # : 00156OT3E143JP-S

Performance : 230/460 V 60 Hz 2P

Rated current : 3.70/1.85 A
LRC : 8.6
Rated torque : 2.24 ft.lb
Locked rotor torque : 210 %
Breakdown torque : 330 %
Rated speed : 3510 rpm

Moment of inertia (J) : 0.0835 sq.ft.lb
Duty cycle : Cont.(S1)
Insulation class : F
Service factor :
Temperature rise : 80 K
Design : B

Heating constant

Cooling constant

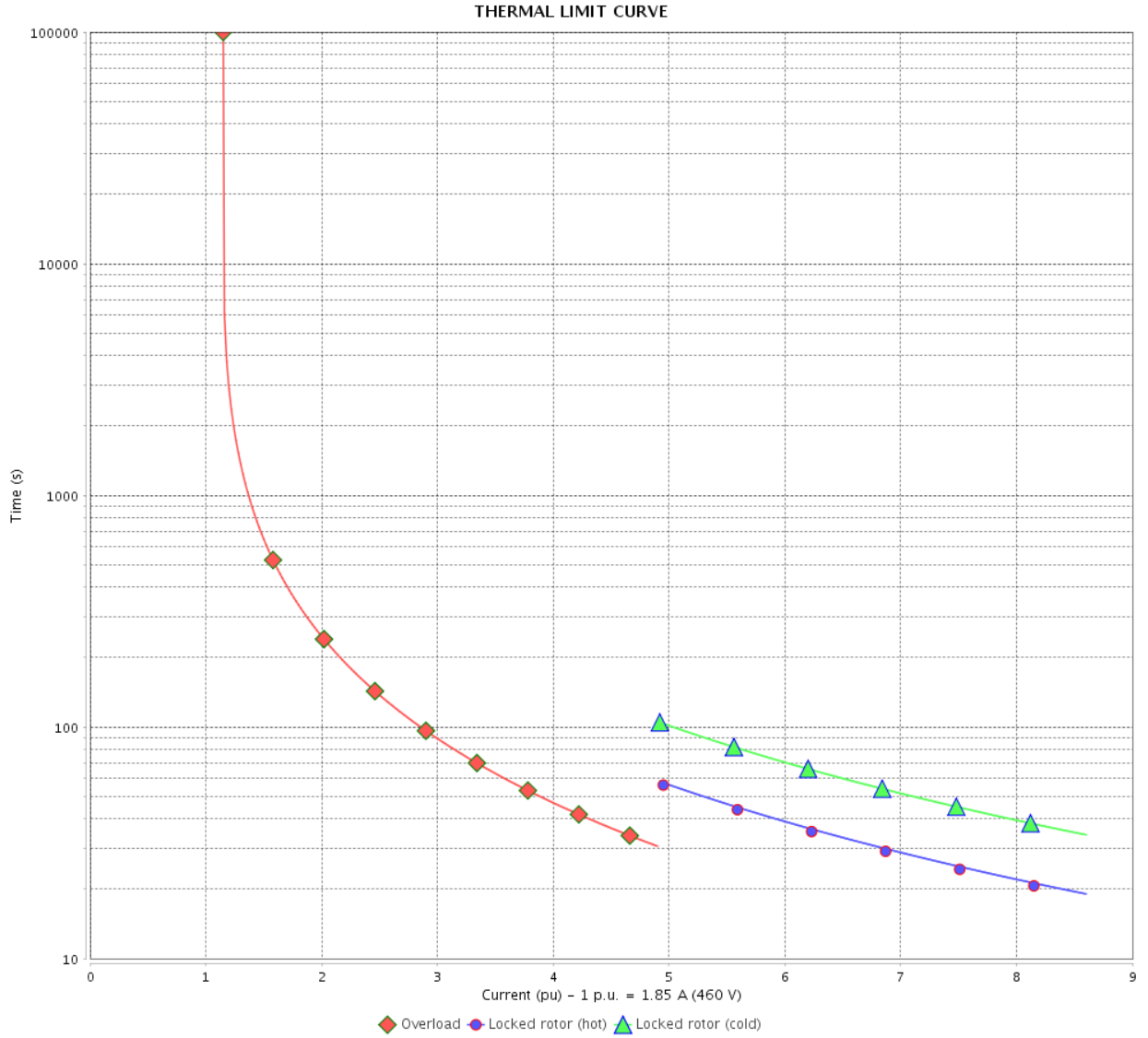
Rev.	Changes Summary	Performed	Checked	Date
Performed by				
Checked by			Page	Revision
Date	12/04/2022		8 /	

THERMAL LIMIT CURVE

Three Phase Induction Motor - Squirrel Cage



Customer : _____



Rev.	Changes Summary	Performed	Checked	Date
Performed by		Page		Revision
Checked by		9 /		
Date		12/04/2022		

THERMAL LIMIT CURVE



Three Phase Induction Motor - Squirrel Cage

Customer :

Product line : JP Pump NEMA Premium
Efficiency Three-Phase

Product code : 12682711

Catalog # : 00156OT3E143JP-S

Performance : 190/380 V 50 Hz 2P

Rated current : 4.40/2.20 A
LRC : 6.7
Rated torque : 2.73 ft.lb
Locked rotor torque : 180 %
Breakdown torque : 250 %
Rated speed : 2890 rpm

Moment of inertia (J) : 0.0835 sq.ft.lb
Duty cycle : Cont.(S1)
Insulation class : F
Service factor : 1.15
Temperature rise : 80 K
Design : B

Heating constant

Cooling constant

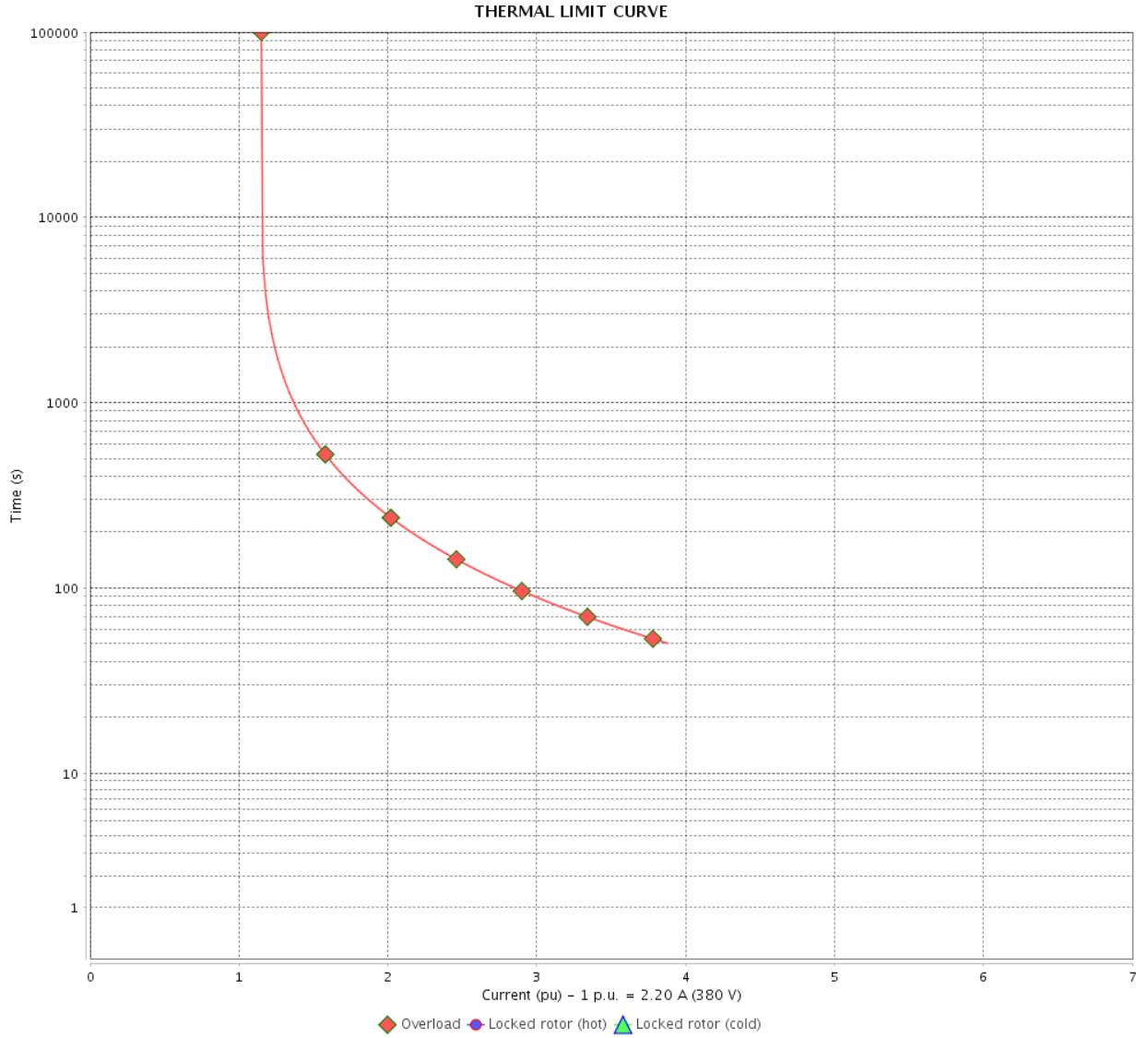
Rev.	Changes Summary	Performed	Checked	Date
Performed by				
Checked by			Page	Revision
Date	12/04/2022		10 /	

THERMAL LIMIT CURVE

Three Phase Induction Motor - Squirrel Cage



Customer : _____



Rev.	Changes Summary	Performed	Checked	Date
Performed by		Page		Revision
Checked by		11 /		
Date		12/04/2022		

THERMAL LIMIT CURVE



Three Phase Induction Motor - Squirrel Cage

Customer :

Product line : JP Pump NEMA Premium
Efficiency Three-Phase

Product code : 12682711

Catalog # : 00156OT3E143JP-S

Performance : 220/415 V 50 Hz 2P

Rated current : 4.02/2.13 A
LRC : 7.4
Rated torque : 2.72 ft.lb
Locked rotor torque : 200 %
Breakdown torque : 280 %
Rated speed : 2900 rpm

Moment of inertia (J) : 0.0835 sq.ft.lb
Duty cycle : Cont.(S1)
Insulation class : F
Service factor : 1.15
Temperature rise : 80 K
Design : B

Heating constant

Cooling constant

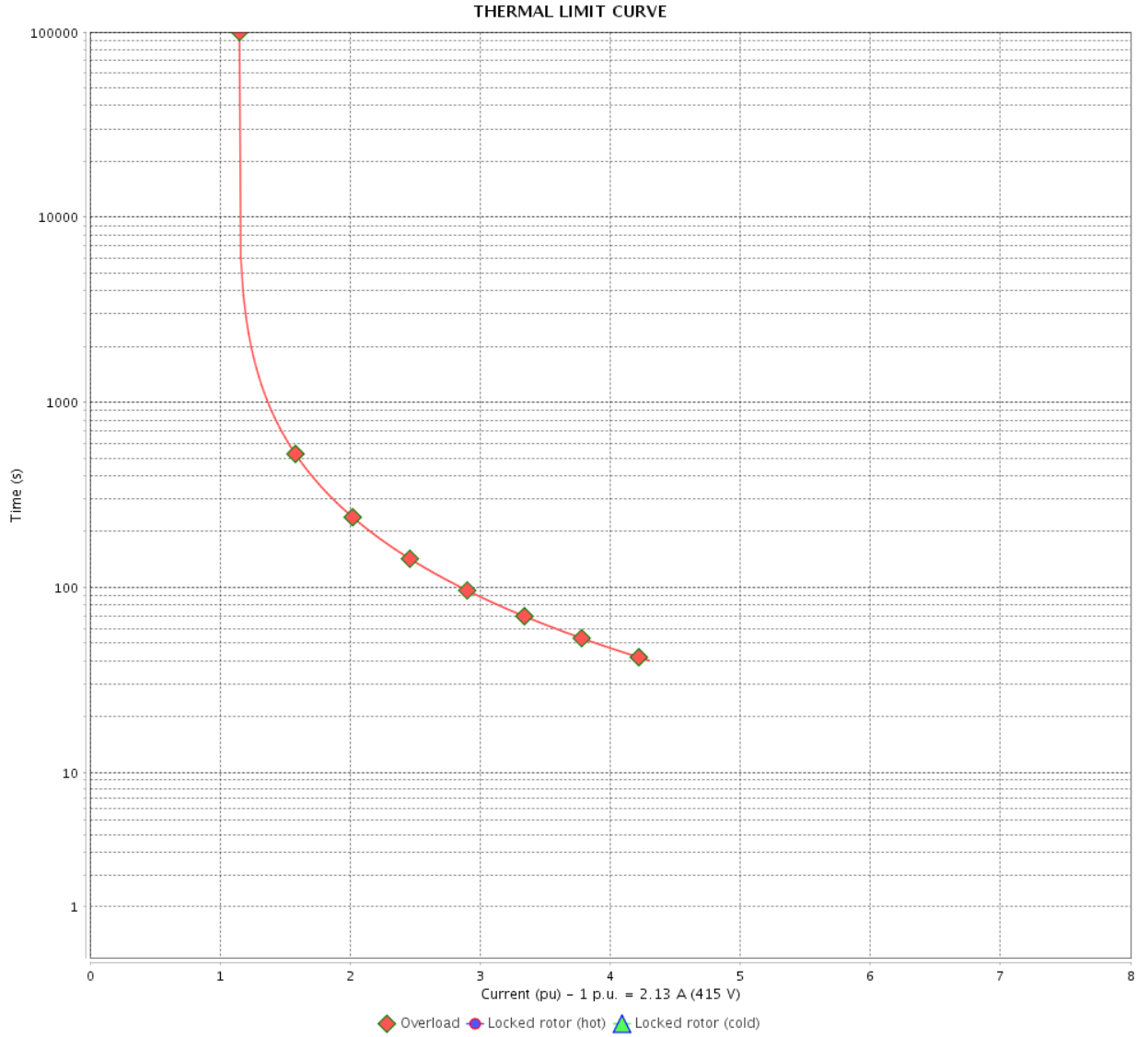
Rev.	Changes Summary	Performed	Checked	Date
Performed by				
Checked by			Page	Revision
Date	12/04/2022		12 /	

THERMAL LIMIT CURVE

Three Phase Induction Motor - Squirrel Cage



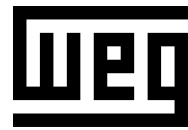
Customer : _____



Rev.	Changes Summary	Performed	Checked	Date
Performed by		Page		Revision
Checked by		13 /		
Date		12/04/2022		

VFD OPERATION CURVE

Three Phase Induction Motor - Squirrel Cage



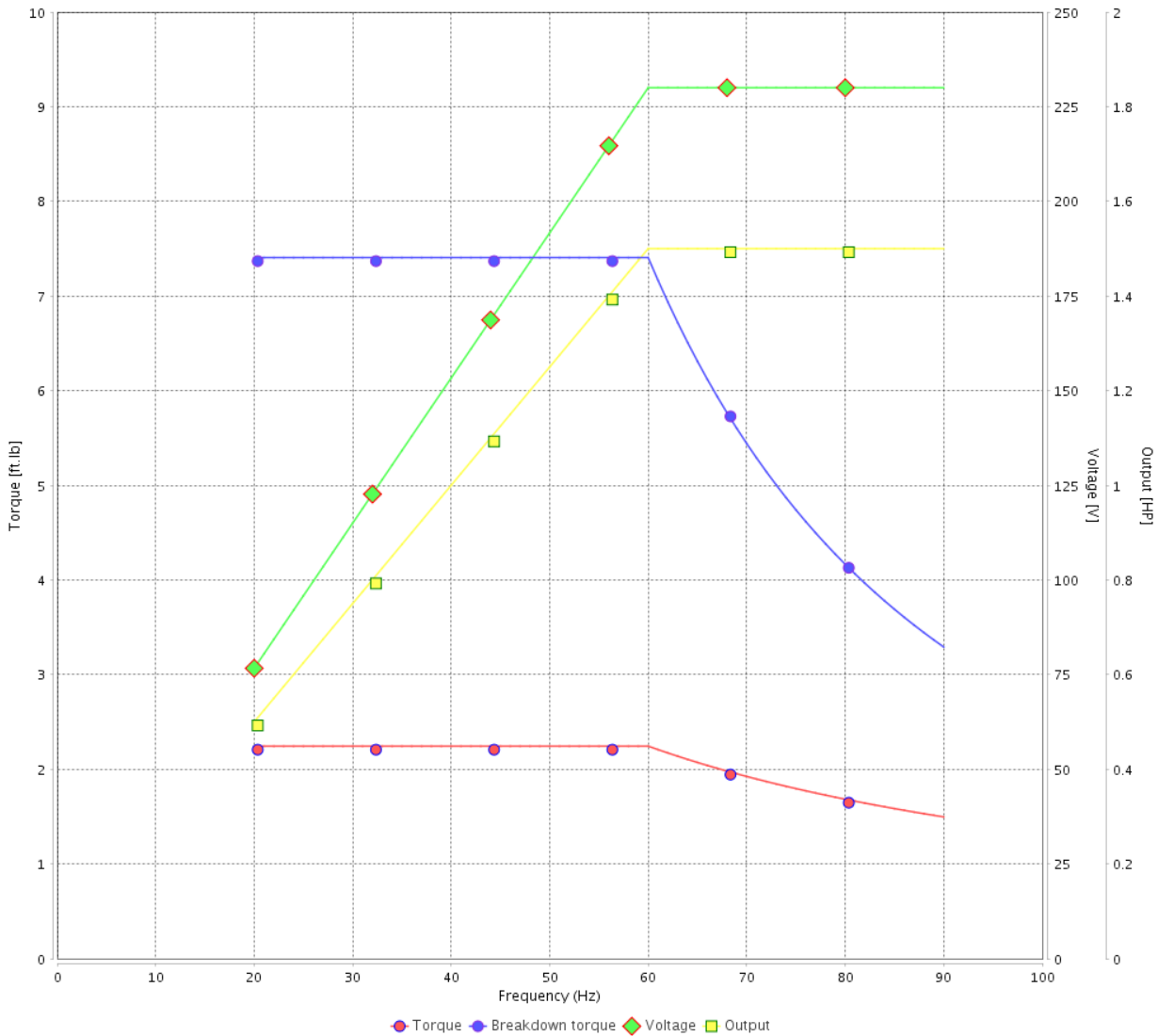
Customer :

Product line : JP Pump NEMA Premium Efficiency Three-Phase

Product code : 12682711

Catalog # : 00156OT3E143JP-S

VFD OPERATION CURVE



Performance : 230/460 V 60 Hz 2P

Rated current : 3.70/1.85 A
 LRC : 8.6
 Rated torque : 2.24 ft.lb
 Locked rotor torque : 210 %
 Breakdown torque : 330 %
 Rated speed : 3510 rpm

Moment of inertia (J) : 0.0835 sq.ft.lb
 Duty cycle : Cont.(S1)
 Insulation class : F
 Service factor :
 Temperature rise : 80 K
 Design : B

Rev.	Changes Summary	Performed	Checked	Date
Performed by			Page 14 /	Revision
Checked by				
Date	12/04/2022			

1 2 3 4 5 6

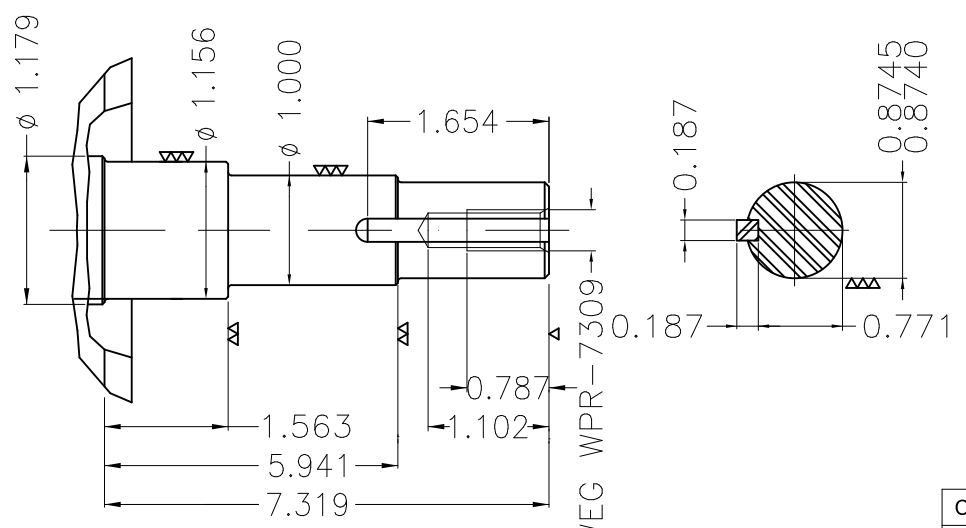
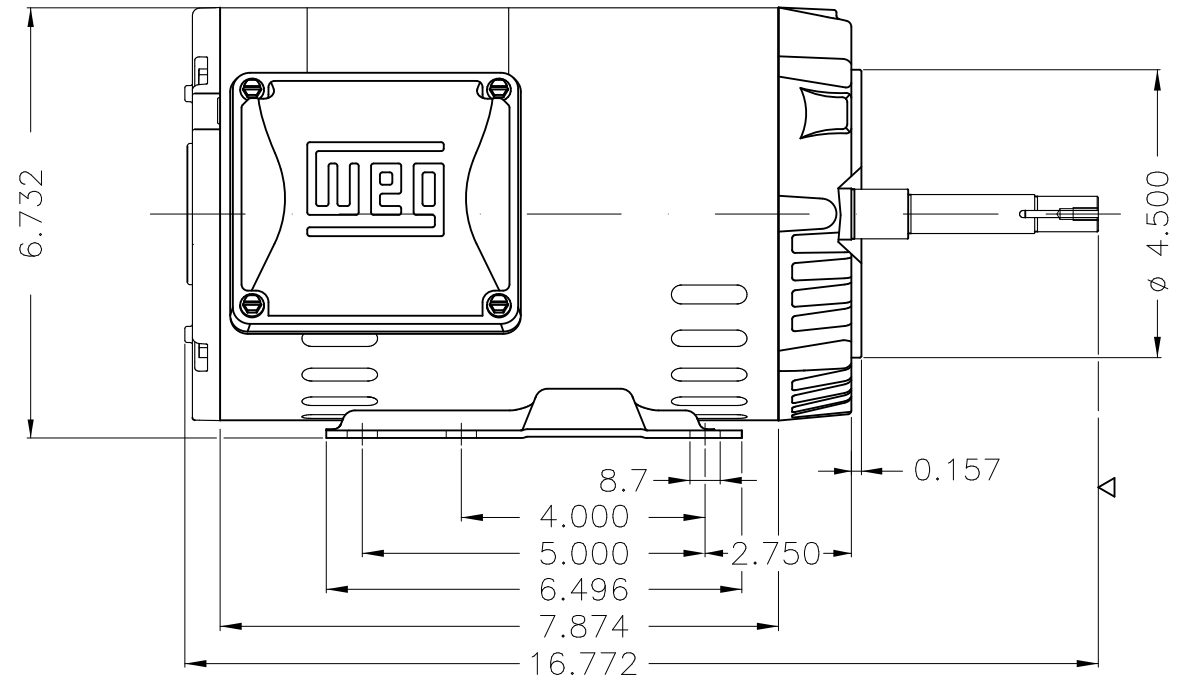
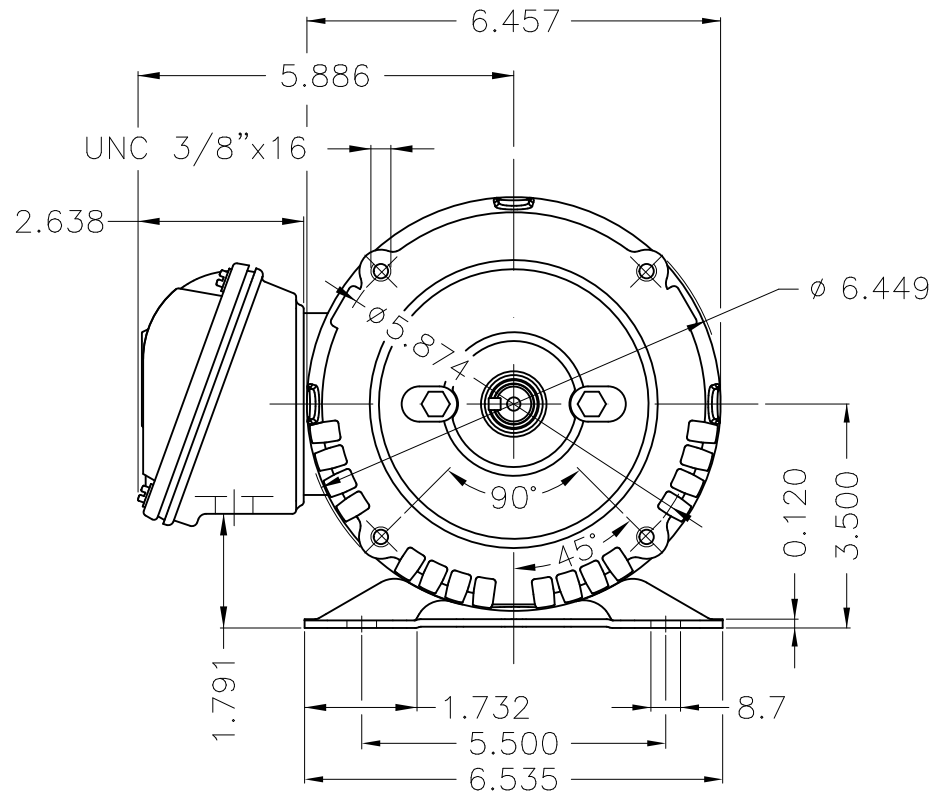
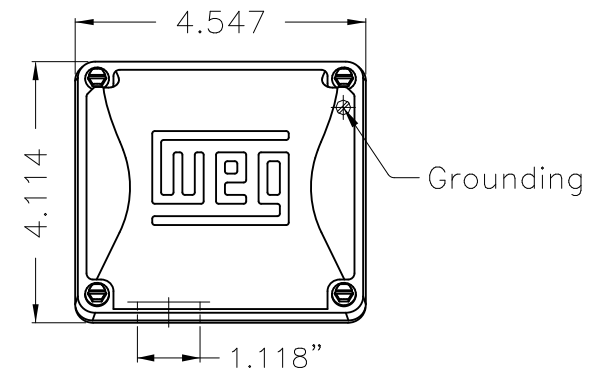
A

B

C

D

E



EUNC 3/8"-16 WEG WPR-7309

DE Shaft End

Color Munsell N 1 matte black									
Painting plan 207N									
Mounting F-1/B34R(D)									
ECM	LOC	SUMMARY OF MODIFICATIONS			EXECUTED	CHECKED	RELEASED	DATE	VER
EXECUTED	PIRWUSER	THREE PH. MOTOR ROLLED STEEL CLOSE COUPLED PUMP JP 3/8" DE PRELIM							
CHECKED		FRAME 143/5JP IP21 ODP							
RELEASED									
REL DT.		WMO	Jaragua do Sul	Product Engineering					

PREVIEW

WDD



1.5 HP 02 Poles 60 Hz

WEG
NEMA
Premium3PT9
C US LISTED

Energy Verified



MADE IN MEXICO

MAT: 12682711 CC029A

W01.T00IC0X0N

MODEL 001560T3E143JP-S

11SET2019

PH 3 FR 143/5JP HP(KW) 1.5(1.1) Hz 60

V 230/460 RPM 3510

A 3.70/1.85 DUTY CONT.

SFA 4.25/2.13 CODE K DES B

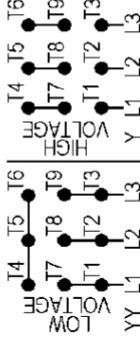
SF 1.15 INS CL F AT 80K AMB 40°C ENCL ODP

PF 0.89 NEMA NOM.EFF. 84.0%

ALT 1000 m.a.s.l. USABLE @ 208V 4.09A SF1.00

ALTERNATE RATING: 1.5HP 50Hz 190-220/380-415V SF1.15

4.40-3.94/2.20-2.09A 2890RPM EFF 82.7% (IE3) IEC 60034-1



INTERCHANGE ANY TWO LINE WIRES TO REVERSE THE ROTATION

Inverter duty motor For 60Hz use on VPWM 1000:1 VT, 3:1 CT

DE: 6206-ZZ ODE: 6203-ZZ MOBIL POLYREX EM

WARNING: Motor must be grounded in accordance with local and national electrical codes to prevent serious electrical shocks. Disconnect power source before servicing unit.

AVERTISSEMENT: Le moteur doit être mis à la terre conformément aux codes électriques locaux et nationaux afin d'éviter tout choc électrique grave. Déconnectez l'alimentation avant l'entretien de la machine.

