

DATA SHEET

Three Phase Induction Motor - Squirrel Cage



Customer :				
Product line	: JP Pump NEMA Premium Efficiency Three-Phase	Product code :	14327799	
		Catalog # :	00156OT3E143JP-SG	
Frame	: 143/5JP	Cooling method	: IC01 - ODP	
Insulation class	: F	Mounting	: F-1	
Duty cycle	: Cont.(S1)	Rotation ¹	: Both (CW and CCW)	
Ambient temperature	: -20°C to +40°C	Starting method	: Direct On Line	
Altitude	: 1000 m.a.s.l.	Approx. weight ²	: 29.3 lb	
Design	: B	Moment of inertia (J)	: 0.0835 sq.ft.lb	
Output [HP]	1.5	1.5	1.5	
Poles	2	2	2	
Frequency [Hz]	60	50	50	
Rated voltage [V]	230/460	190/380	220/415	
Rated current [A]	3.70/1.85	4.40/2.20	4.02/2.13	
L. R. Amperes [A]	31.8/15.9	29.5/14.7	29.7/15.8	
LRC [A]	8.6x(Code K)	6.7x(Code H)	7.4x(Code J)	
No load current [A]	1.62/0.809	1.59/0.796	1.66/0.881	
Rated speed [RPM]	3510	2890	2900	
Slip [%]	2.50	3.67	3.33	
Rated torque [ft.lb]	2.24	2.73	2.72	
Locked rotor torque [%]	210	180	200	
Breakdown torque [%]	330	250	280	
Service factor		1.15	1.15	
Temperature rise	80 K	80 K	80 K	
Locked rotor time	34s (cold) 19s (hot)	0s (cold) 0s (hot)	0s (cold) 0s (hot)	
Noise level ²	62.0 dB(A)	60.0 dB(A)	60.0 dB(A)	
Efficiency (%)	25%	81.1	82.1	
	50%	81.5	81.9	
	75%	84.0	83.5	
	100%	84.0	82.9	
Power Factor	25%	0.45	0.47	
	50%	0.73	0.75	
	75%	0.83	0.85	
	100%	0.89	0.90	
Bearing type	: <u>Drive end</u> 6206 ZZ <u>Non drive end</u> 6203 ZZ	Foundation loads		
Sealing	: Without Without Bearing Seal Bearing Seal	Max. traction	: 51 lb	
		Max. compression	: 81 lb	
Lubrication interval	: - -			
Lubricant amount	: - -			
Lubricant type	: Mobil Polyrex EM			
Notes USABLE @208V 4.09A SF 1.00 SFA 4.09A				
This revision replaces and cancel the previous one, which must be eliminated. (1) Looking the motor from the shaft end. (2) Measured at 1m and with tolerance of +3dB(A). (3) Approximate weight subject to changes after manufacturing process. (4) At 100% of full load.		These are average values based on tests with sinusoidal power supply, subject to the tolerances stipulated in NEMA MG-1.		
Rev.	Changes Summary	Performed	Checked	Date
Performed by				
Checked by			Page	Revision
Date	12/04/2022		1 /	

TORQUE AND CURRENT VS SPEED CURVE

Three Phase Induction Motor - Squirrel Cage



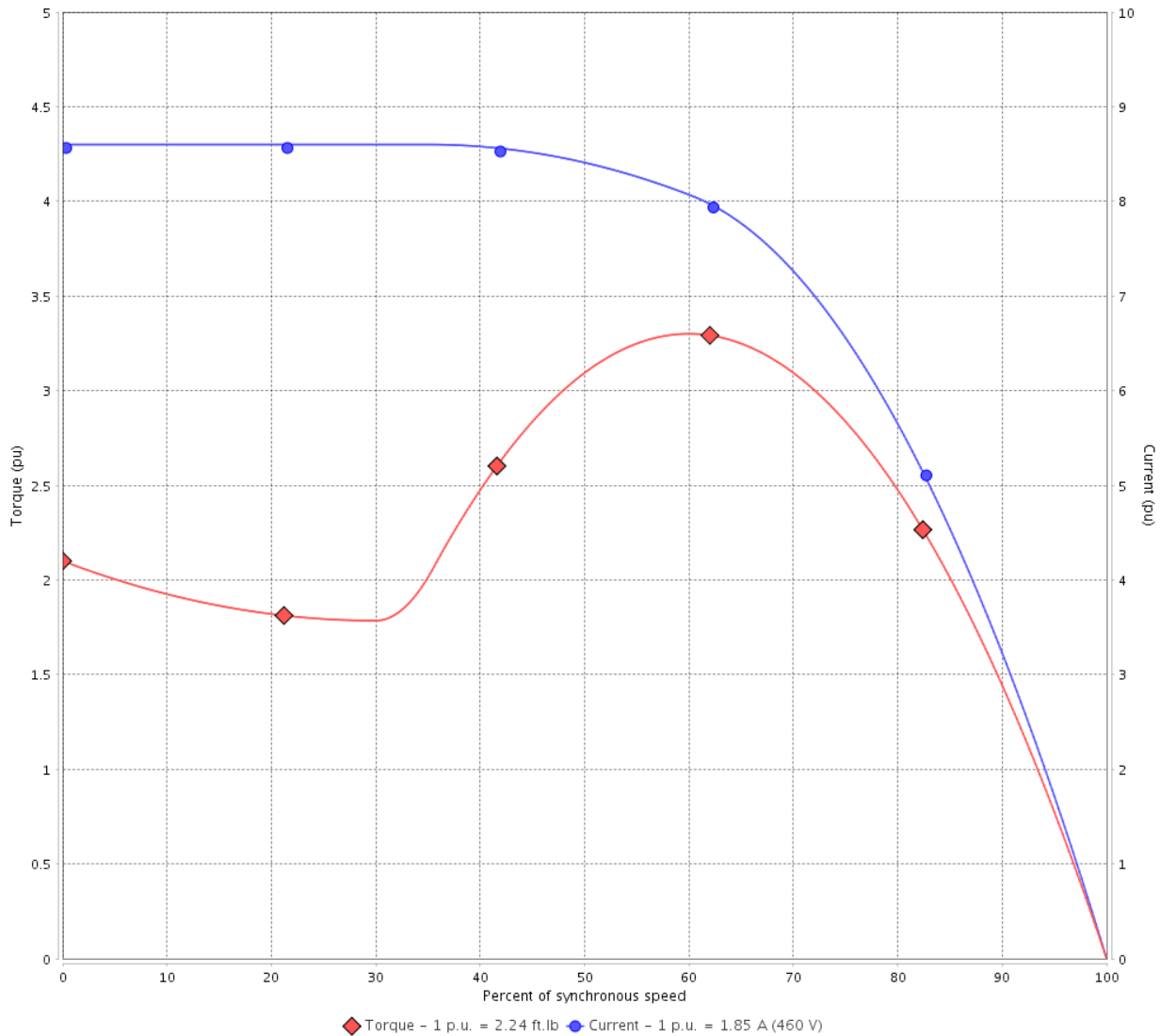
Customer :

Product line : JP Pump NEMA Premium
Efficiency Three-Phase

Product code : 14327799

Catalog # : 00156OT3E143JP-SG

TORQUE AND CURRENT VS SPEED CURVE



Performance : 230/460 V 60 Hz 2P

Rated current : 3.70/1.85 A
LRC : 8.6
Rated torque : 2.24 ft.lb
Locked rotor torque : 210 %
Breakdown torque : 330 %
Rated speed : 3510 rpm

Moment of inertia (J) : 0.0835 sq.ft.lb
Duty cycle : Cont.(S1)
Insulation class : F
Service factor :
Temperature rise : 80 K
Design : B

Locked rotor time : 34s (cold) 19s (hot)

Rev.	Changes Summary	Performed	Checked	Date
Performed by			Page 2 /	Revision
Checked by				
Date	12/04/2022			

TORQUE AND CURRENT VS SPEED CURVE



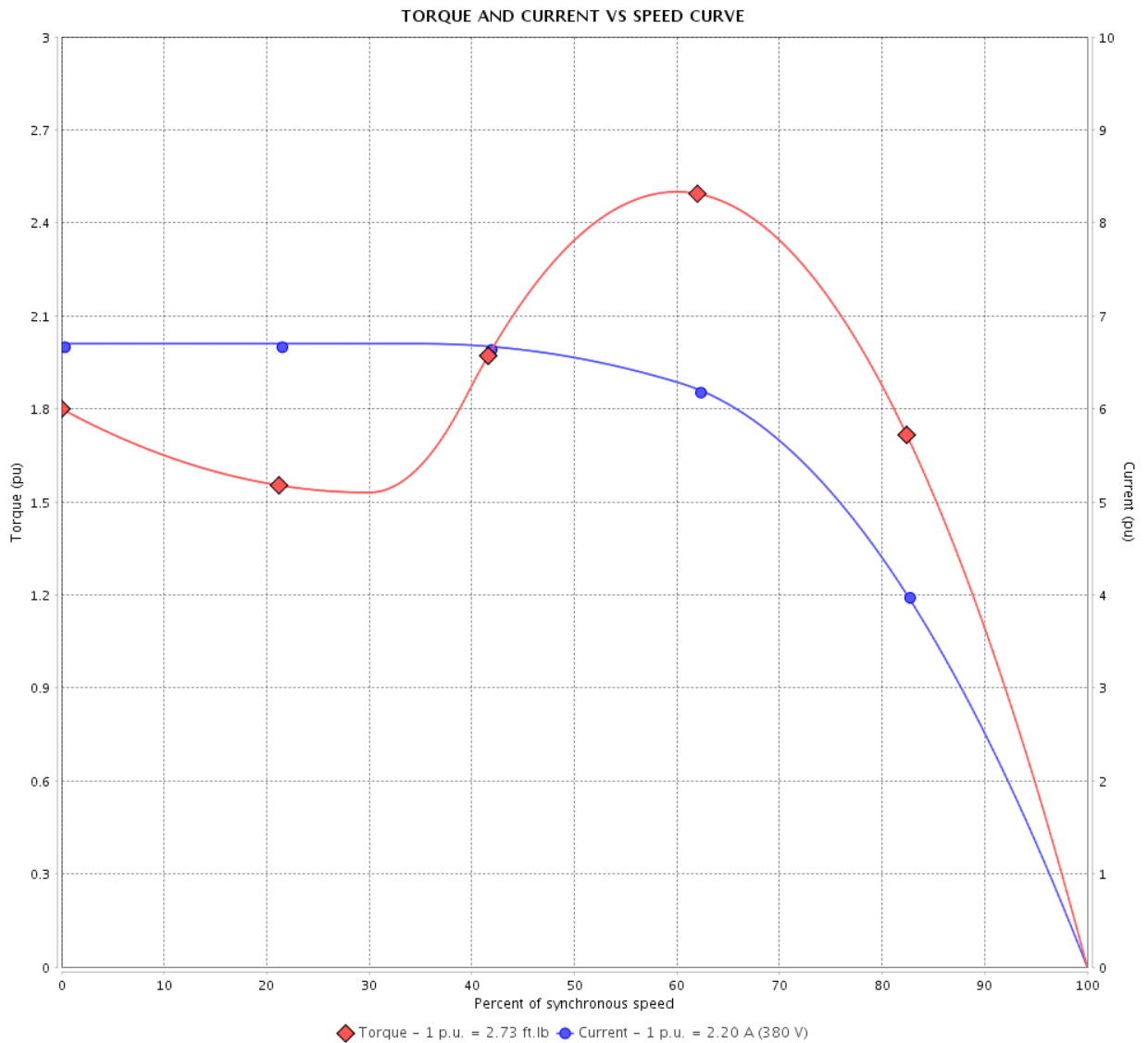
Three Phase Induction Motor - Squirrel Cage

Customer :

Product line : JP Pump NEMA Premium Efficiency Three-Phase

Product code : 14327799

Catalog # : 00156OT3E143JP-SG



Performance : 190/380 V 50 Hz 2P

Rated current : 4.40/2.20 A
 LRC : 6.7
 Rated torque : 2.73 ft.lb
 Locked rotor torque : 180 %
 Breakdown torque : 250 %
 Rated speed : 2890 rpm

Moment of inertia (J) : 0.0835 sq.ft.lb
 Duty cycle : Cont.(S1)
 Insulation class : F
 Service factor : 1.15
 Temperature rise : 80 K
 Design : B

Locked rotor time : 0s (cold) 0s (hot)

Rev.	Changes Summary	Performed	Checked	Date
Performed by			Page 3 /	Revision
Checked by				
Date	12/04/2022			

TORQUE AND CURRENT VS SPEED CURVE

Three Phase Induction Motor - Squirrel Cage



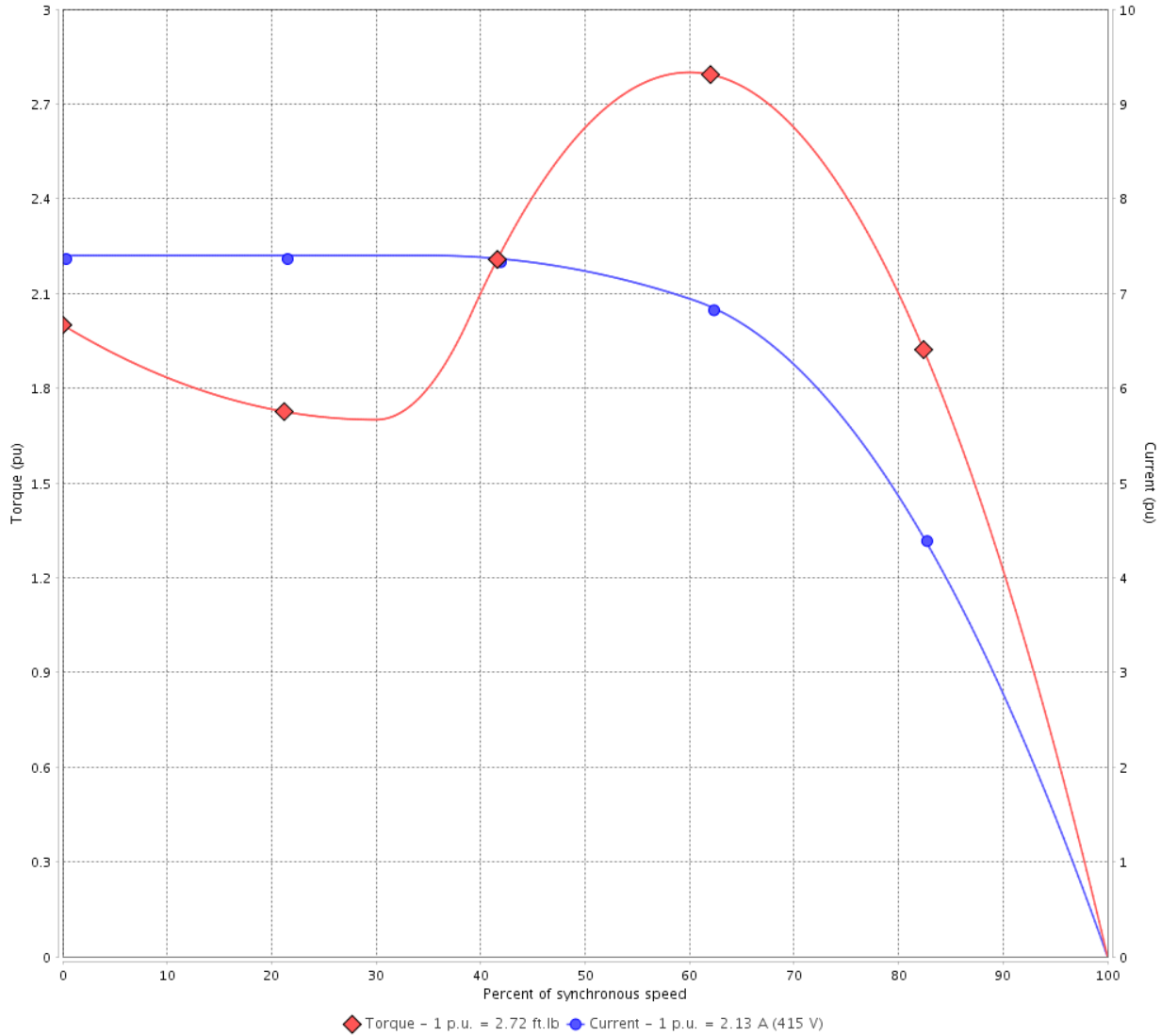
Customer :

Product line : JP Pump NEMA Premium
Efficiency Three-Phase

Product code : 14327799

Catalog # : 00156OT3E143JP-SG

TORQUE AND CURRENT VS SPEED CURVE



Performance : 220/415 V 50 Hz 2P

Rated current : 4.02/2.13 A
LRC : 7.4
Rated torque : 2.72 ft.lb
Locked rotor torque : 200 %
Breakdown torque : 280 %
Rated speed : 2900 rpm

Moment of inertia (J) : 0.0835 sq.ft.lb
Duty cycle : Cont.(S1)
Insulation class : F
Service factor : 1.15
Temperature rise : 80 K
Design : B

Locked rotor time : 0s (cold) 0s (hot)

Rev.	Changes Summary	Performed	Checked	Date
Performed by			Page 4 /	Revision
Checked by				
Date	12/04/2022			

LOAD PERFORMANCE CURVE

Three Phase Induction Motor - Squirrel Cage

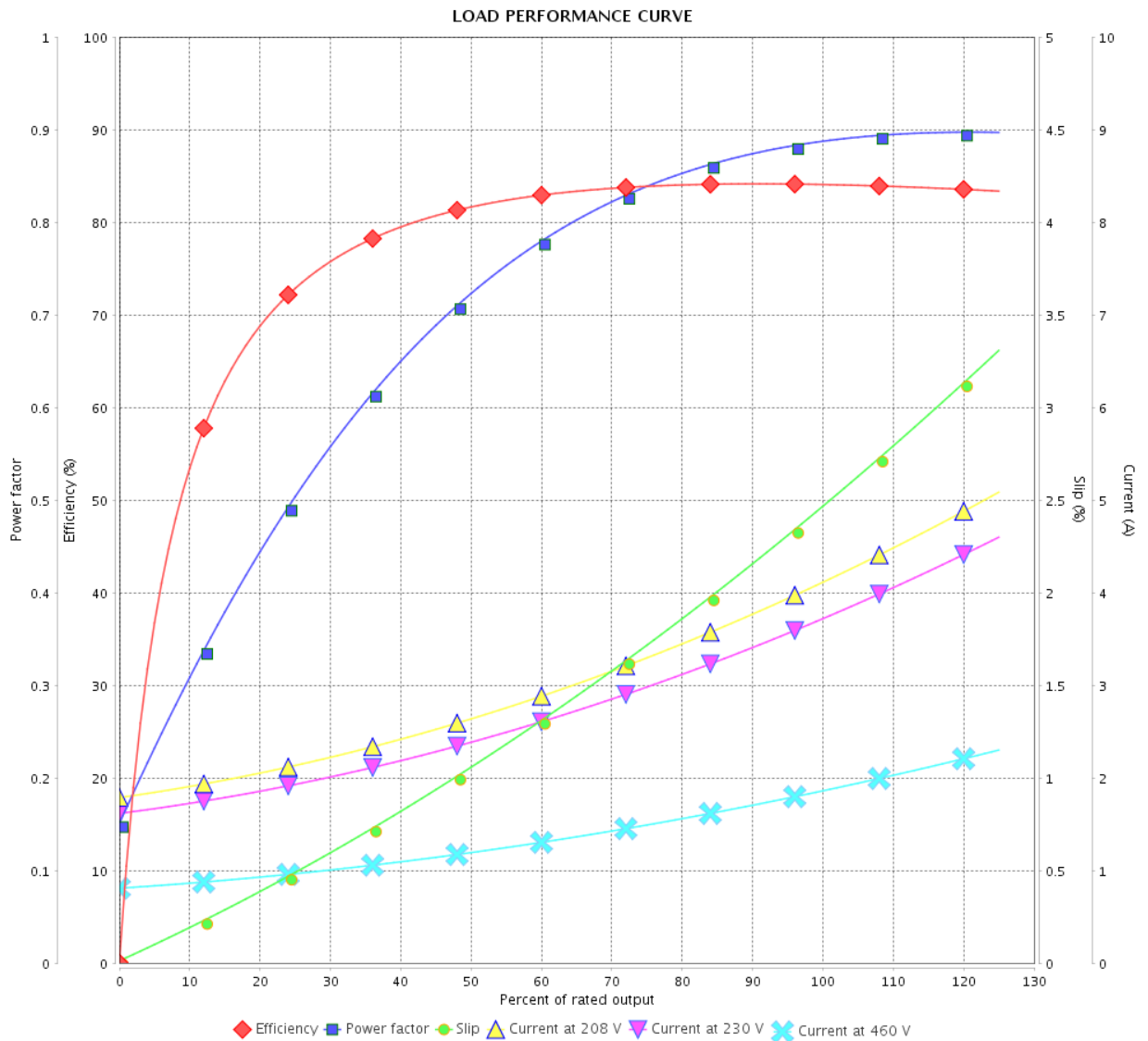


Customer :

Product line : JP Pump NEMA Premium Efficiency Three-Phase

Product code : 14327799

Catalog # : 00156OT3E143JP-SG



Performance : 230/460 V 60 Hz 2P

Rated current : 3.70/1.85 A
 LRC : 8.6
 Rated torque : 2.24 ft.lb
 Locked rotor torque : 210 %
 Breakdown torque : 330 %
 Rated speed : 3510 rpm

Moment of inertia (J) : 0.0835 sq.ft.lb
 Duty cycle : Cont.(S1)
 Insulation class : F
 Service factor :
 Temperature rise : 80 K
 Design : B

Rev.	Changes Summary	Performed	Checked	Date
Performed by				Page 5 /
Checked by				
Date	12/04/2022			
				Revision

LOAD PERFORMANCE CURVE

Three Phase Induction Motor - Squirrel Cage



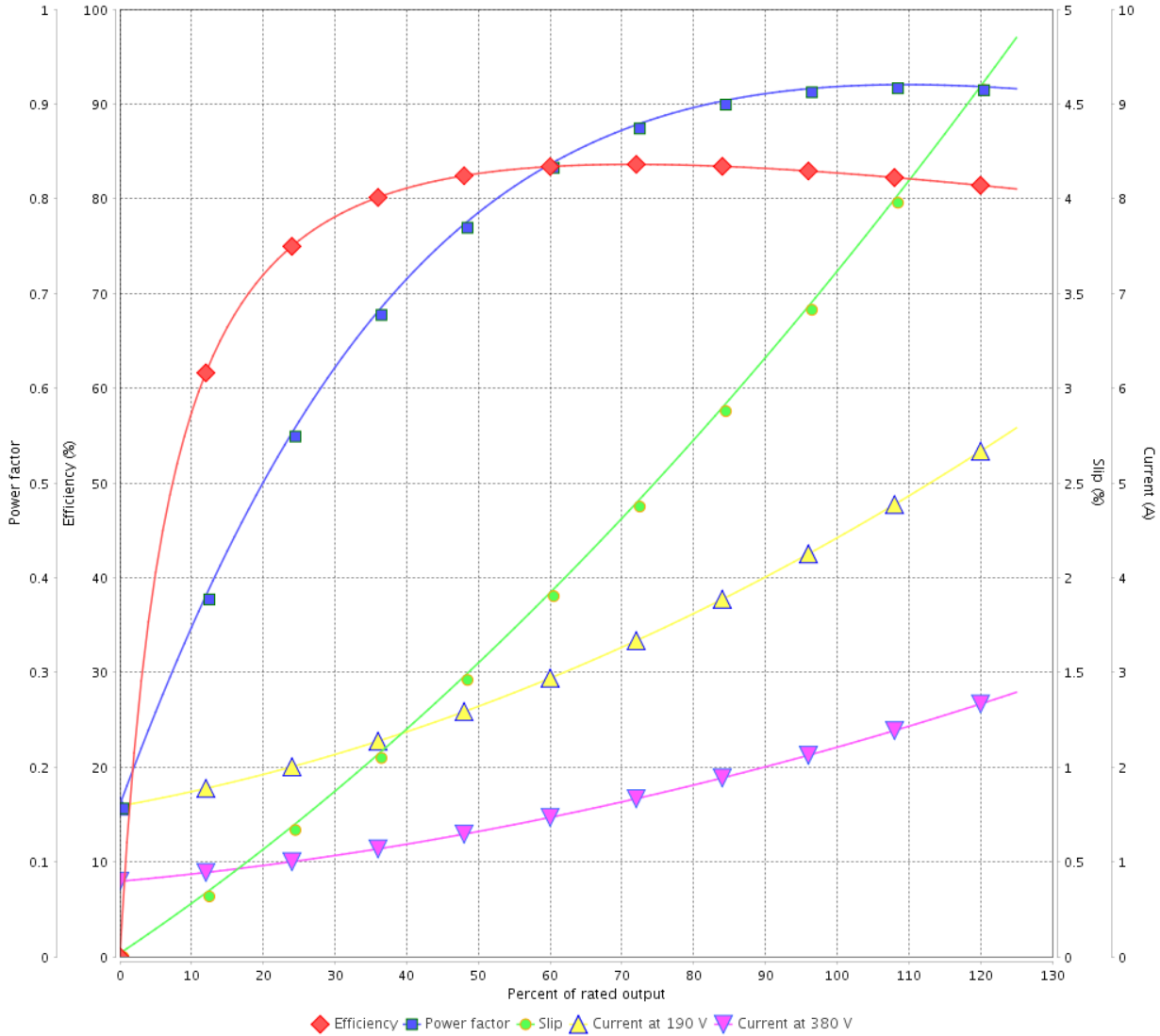
Customer :

Product line : JP Pump NEMA Premium Efficiency Three-Phase

Product code : 14327799

Catalog # : 00156OT3E143JP-SG

LOAD PERFORMANCE CURVE



Performance : 190/380 V 50 Hz 2P

Rated current : 4.40/2.20 A
 LRC : 6.7
 Rated torque : 2.73 ft.lb
 Locked rotor torque : 180 %
 Breakdown torque : 250 %
 Rated speed : 2890 rpm

Moment of inertia (J) : 0.0835 sq.ft.lb
 Duty cycle : Cont.(S1)
 Insulation class : F
 Service factor : 1.15
 Temperature rise : 80 K
 Design : B

Rev.	Changes Summary	Performed	Checked	Date
Performed by			Page	Revision
Checked by			6 /	
Date	12/04/2022			

LOAD PERFORMANCE CURVE

Three Phase Induction Motor - Squirrel Cage

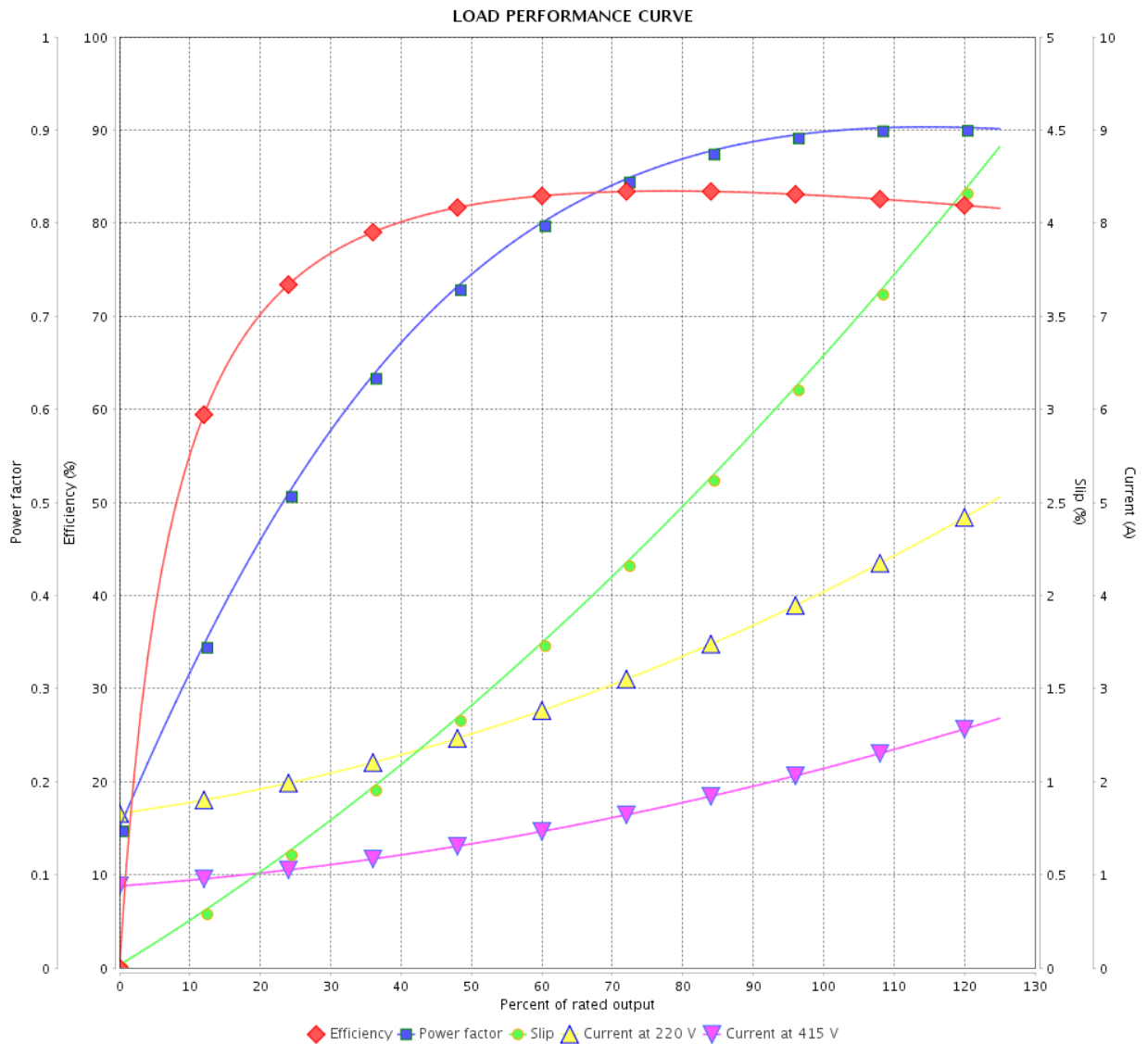


Customer :

Product line : JP Pump NEMA Premium Efficiency Three-Phase

Product code : 14327799

Catalog # : 00156OT3E143JP-SG



Performance : 220/415 V 50 Hz 2P

Rated current : 4.02/2.13 A
 LRC : 7.4
 Rated torque : 2.72 ft.lb
 Locked rotor torque : 200 %
 Breakdown torque : 280 %
 Rated speed : 2900 rpm

Moment of inertia (J) : 0.0835 sq.ft.lb
 Duty cycle : Cont.(S1)
 Insulation class : F
 Service factor : 1.15
 Temperature rise : 80 K
 Design : B

Rev.	Changes Summary	Performed	Checked	Date
Performed by		Page		Revision
Checked by		7 /		
Date		12/04/2022		

THERMAL LIMIT CURVE



Three Phase Induction Motor - Squirrel Cage

Customer :

Product line : JP Pump NEMA Premium
Efficiency Three-Phase

Product code : 14327799

Catalog # : 00156OT3E143JP-SG

Performance : 230/460 V 60 Hz 2P

Rated current : 3.70/1.85 A
LRC : 8.6
Rated torque : 2.24 ft.lb
Locked rotor torque : 210 %
Breakdown torque : 330 %
Rated speed : 3510 rpm

Moment of inertia (J) : 0.0835 sq.ft.lb
Duty cycle : Cont.(S1)
Insulation class : F
Service factor :
Temperature rise : 80 K
Design : B

Heating constant

Cooling constant

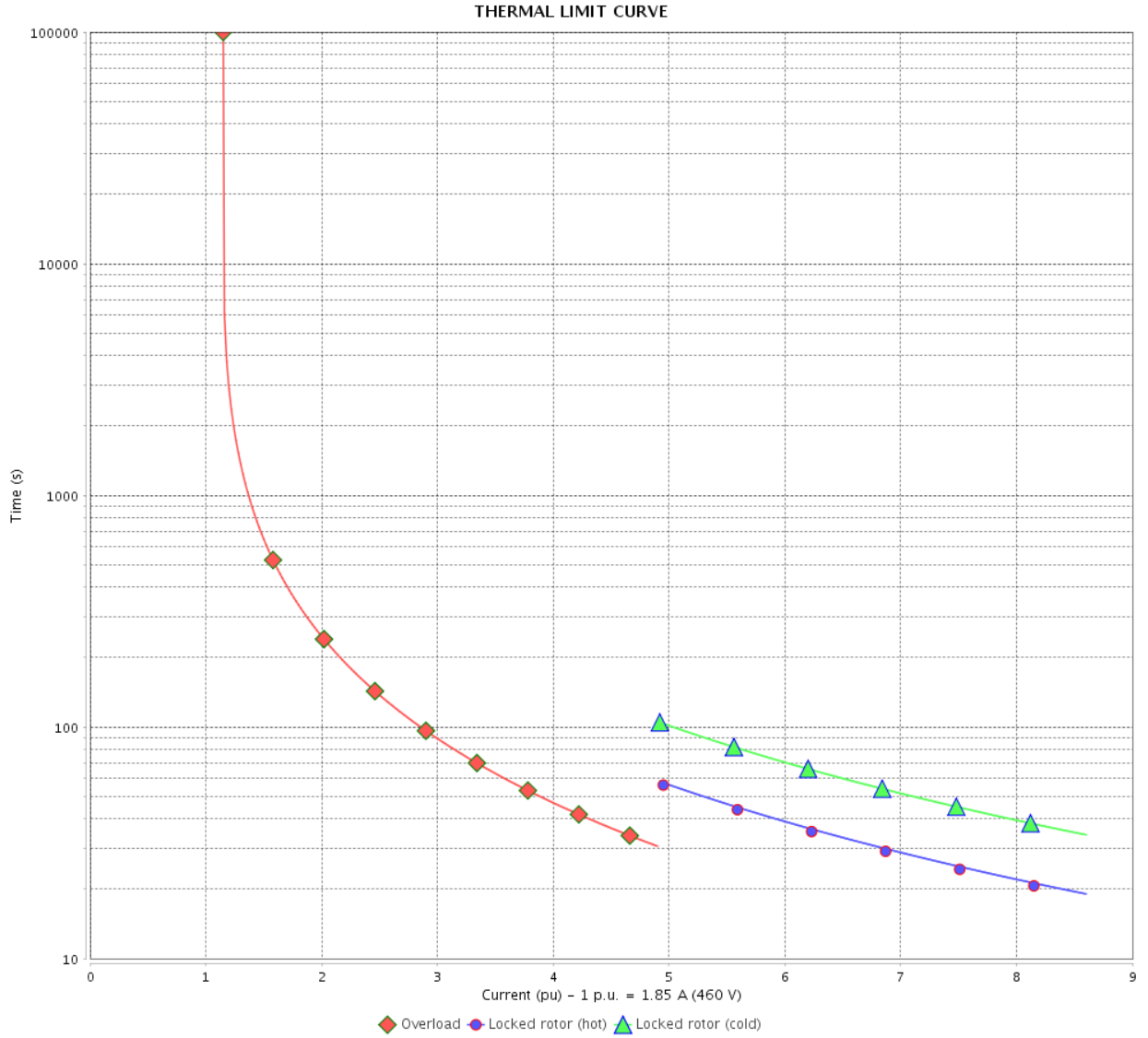
Rev.	Changes Summary	Performed	Checked	Date
Performed by				
Checked by			Page	Revision
Date	12/04/2022		8 /	

THERMAL LIMIT CURVE

Three Phase Induction Motor - Squirrel Cage



Customer : _____



Rev.	Changes Summary	Performed	Checked	Date
Performed by		Page		Revision
Checked by		9 /		
Date		12/04/2022		

THERMAL LIMIT CURVE



Three Phase Induction Motor - Squirrel Cage

Customer :

Product line : JP Pump NEMA Premium
Efficiency Three-Phase

Product code : 14327799

Catalog # : 00156OT3E143JP-SG

Performance : 190/380 V 50 Hz 2P

Rated current : 4.40/2.20 A
LRC : 6.7
Rated torque : 2.73 ft.lb
Locked rotor torque : 180 %
Breakdown torque : 250 %
Rated speed : 2890 rpm

Moment of inertia (J) : 0.0835 sq.ft.lb
Duty cycle : Cont.(S1)
Insulation class : F
Service factor : 1.15
Temperature rise : 80 K
Design : B

Heating constant

Cooling constant

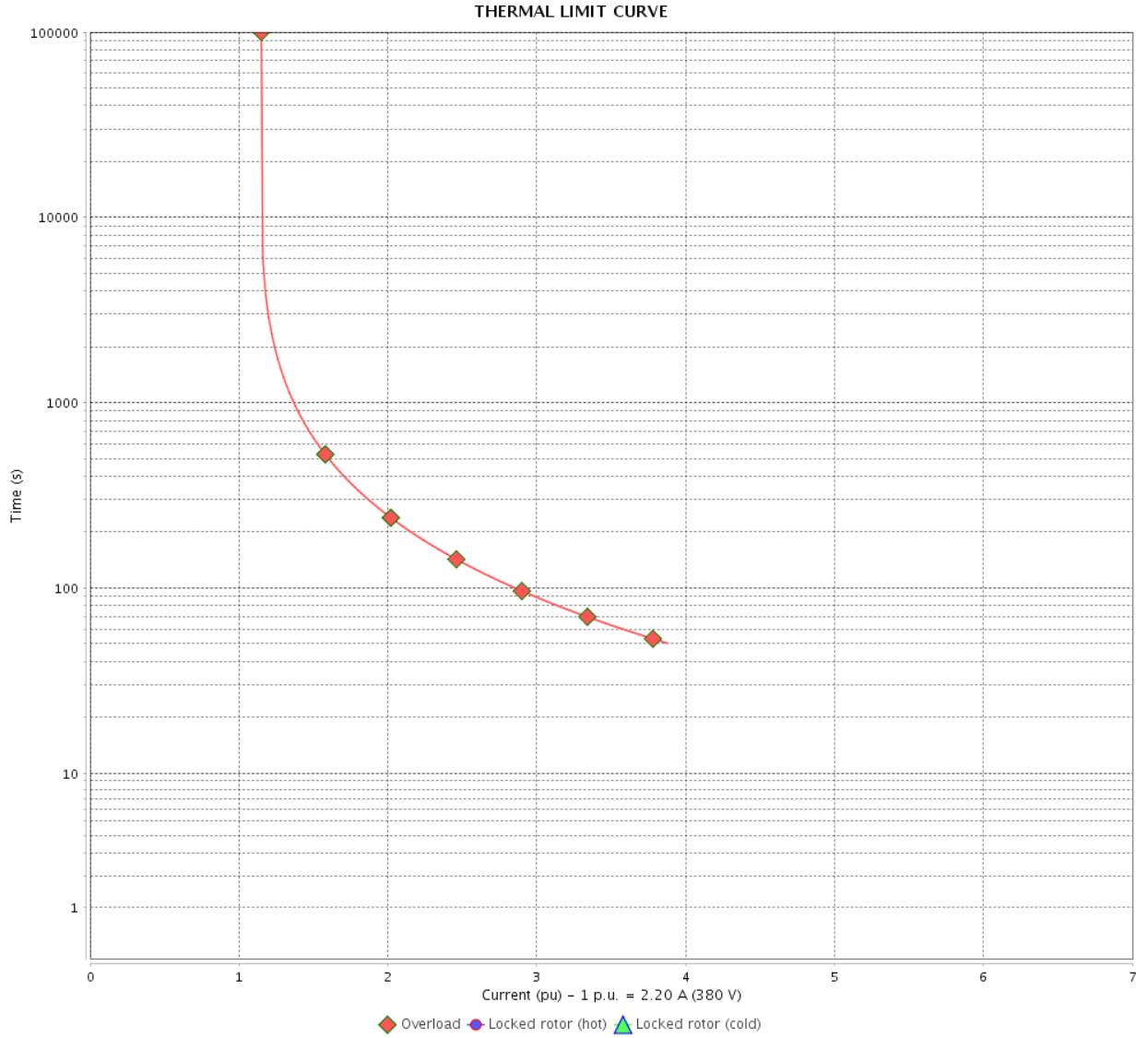
Rev.	Changes Summary	Performed	Checked	Date
Performed by				
Checked by			Page	Revision
Date	12/04/2022		10 /	

THERMAL LIMIT CURVE

Three Phase Induction Motor - Squirrel Cage



Customer : _____



Rev.	Changes Summary	Performed	Checked	Date
Performed by		Page		Revision
Checked by		11 /		
Date		12/04/2022		

THERMAL LIMIT CURVE



Three Phase Induction Motor - Squirrel Cage

Customer :

Product line : JP Pump NEMA Premium
Efficiency Three-Phase

Product code : 14327799

Catalog # : 00156OT3E143JP-SG

Performance : 220/415 V 50 Hz 2P

Rated current : 4.02/2.13 A
LRC : 7.4
Rated torque : 2.72 ft.lb
Locked rotor torque : 200 %
Breakdown torque : 280 %
Rated speed : 2900 rpm

Moment of inertia (J) : 0.0835 sq.ft.lb
Duty cycle : Cont.(S1)
Insulation class : F
Service factor : 1.15
Temperature rise : 80 K
Design : B

Heating constant

Cooling constant

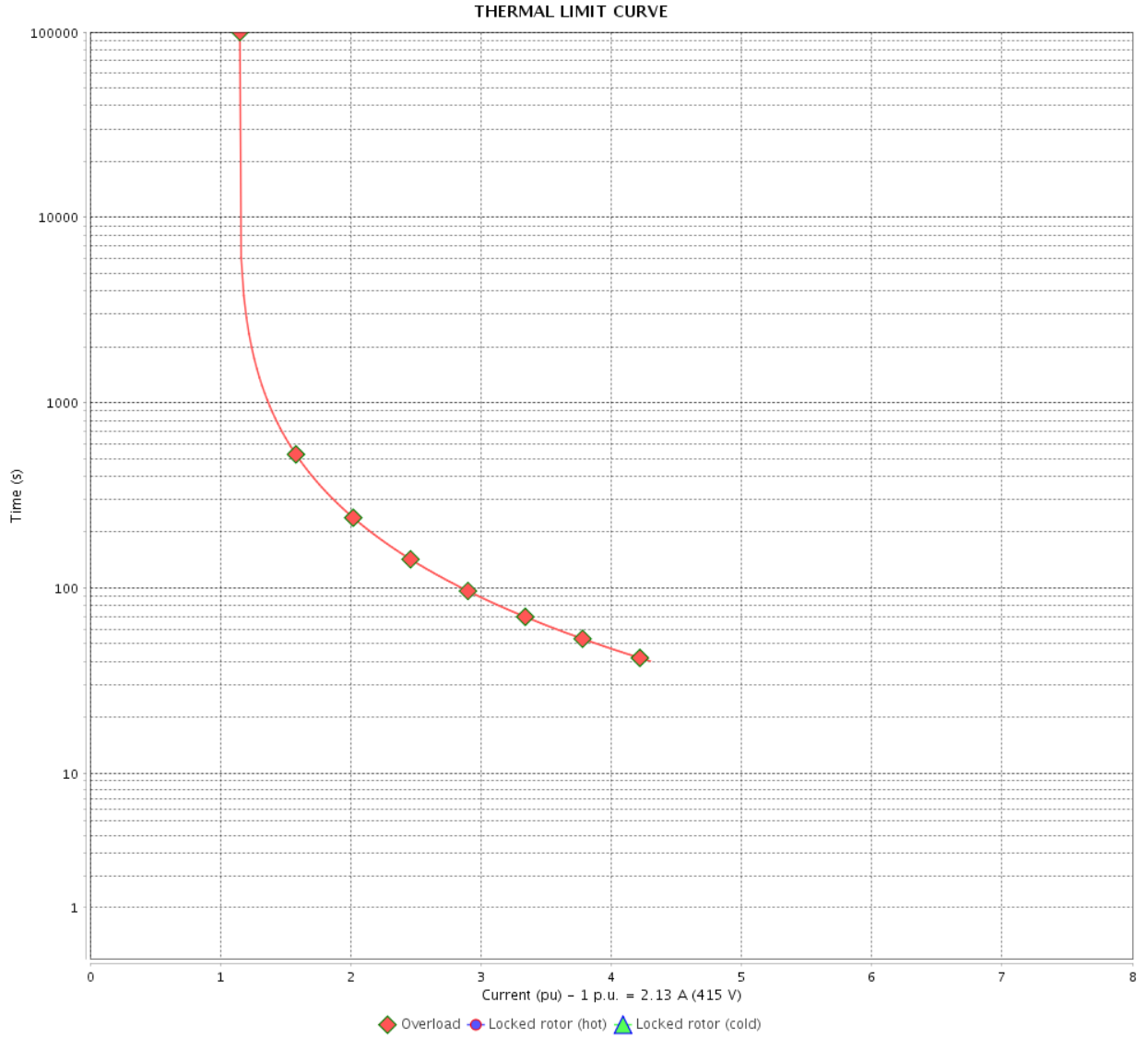
Rev.	Changes Summary	Performed	Checked	Date
Performed by			Page 12 /	Revision
Checked by				
Date	12/04/2022			

THERMAL LIMIT CURVE

Three Phase Induction Motor - Squirrel Cage



Customer : _____



Rev.	Changes Summary	Performed	Checked	Date
Performed by		Page		Revision
Checked by		13 /		
Date		12/04/2022		

VFD OPERATION CURVE

Three Phase Induction Motor - Squirrel Cage

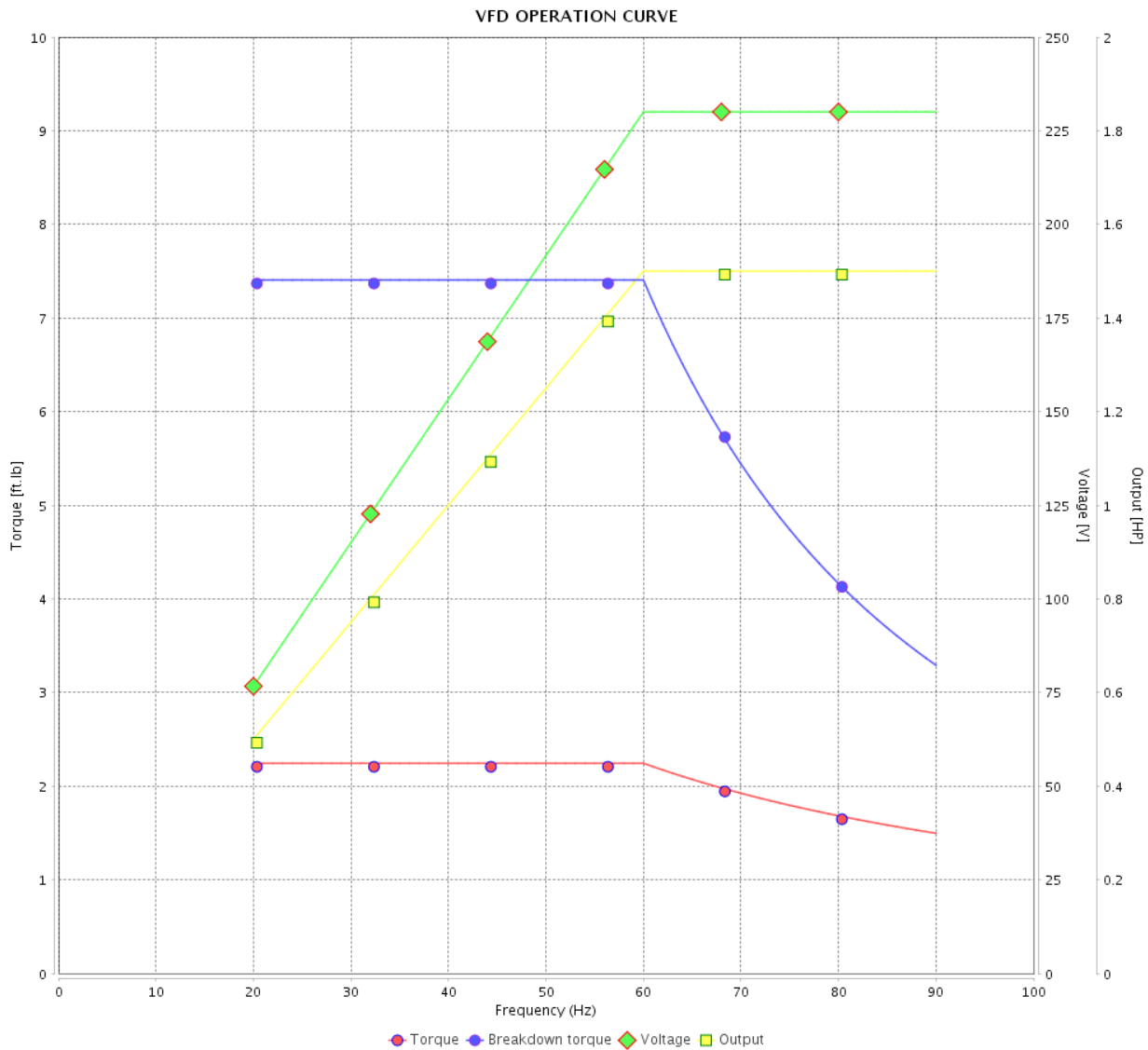


Customer :

Product line : JP Pump NEMA Premium Efficiency Three-Phase

Product code : 14327799

Catalog # : 00156OT3E143JP-SG



Performance : 230/460 V 60 Hz 2P

Rated current : 3.70/1.85 A
 LRC : 8.6
 Rated torque : 2.24 ft.lb
 Locked rotor torque : 210 %
 Breakdown torque : 330 %
 Rated speed : 3510 rpm

Moment of inertia (J) : 0.0835 sq.ft.lb
 Duty cycle : Cont.(S1)
 Insulation class : F
 Service factor :
 Temperature rise : 80 K
 Design : B

Rev.	Changes Summary	Performed	Checked	Date
Performed by			Page 14 /	Revision
Checked by				
Date	12/04/2022			

1 2 3 4 5 6

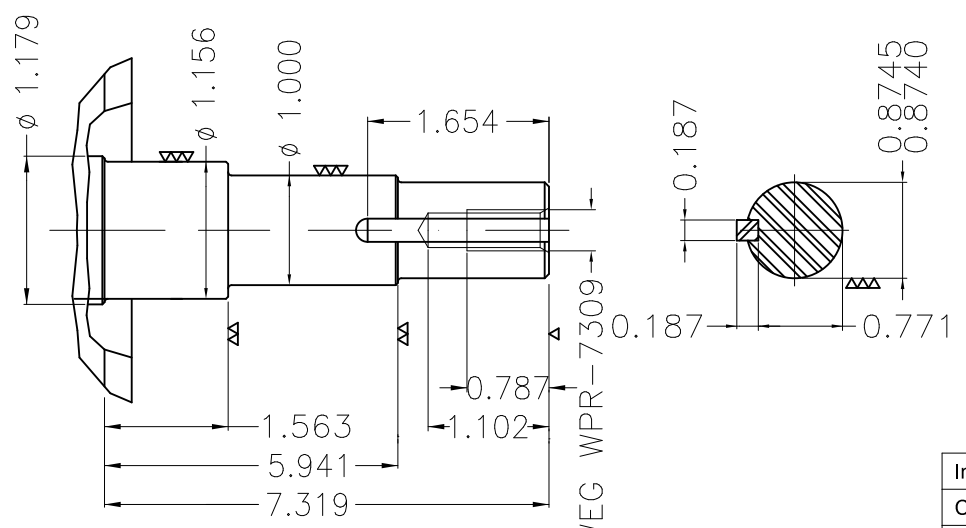
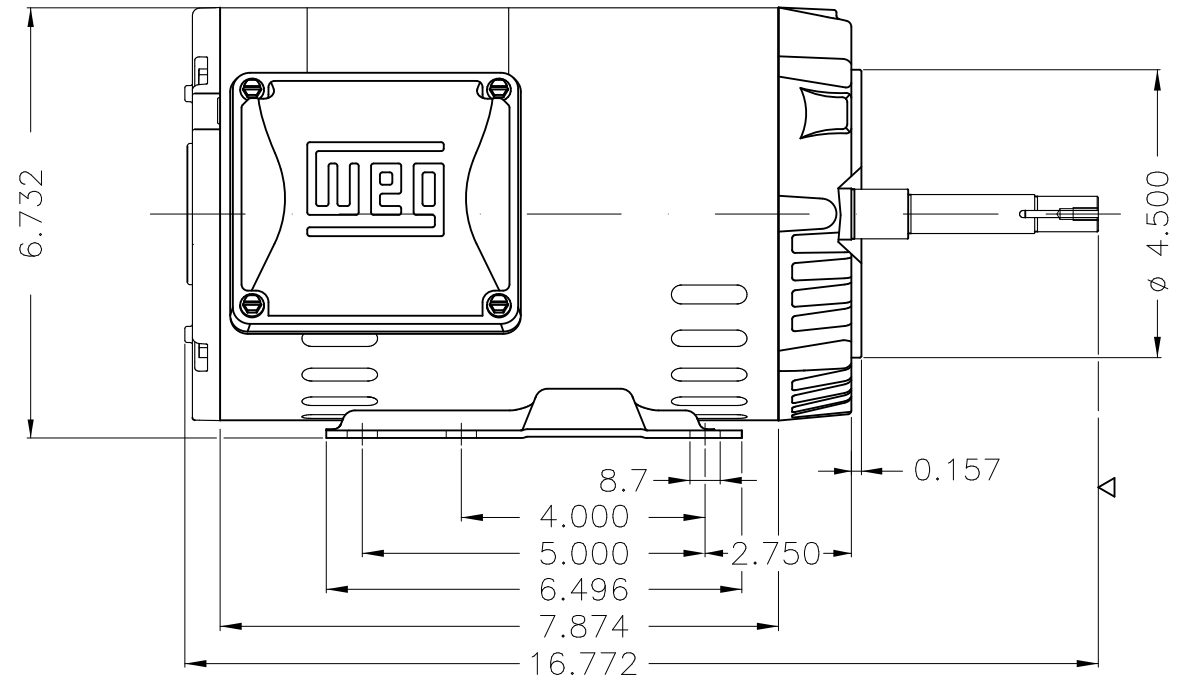
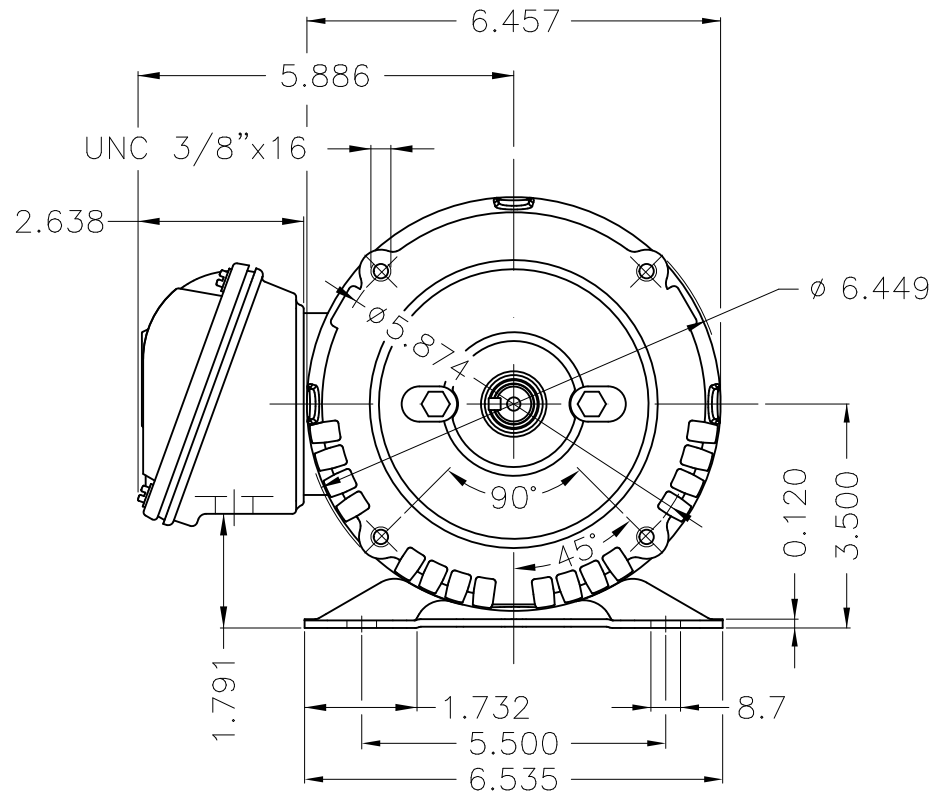
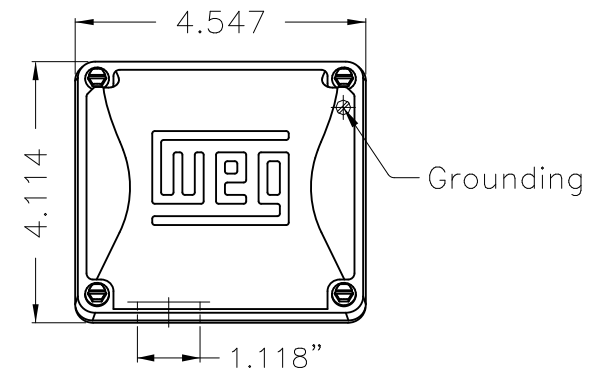
A

B

C

D

E



EUNC 3/8" - 16 WEG WPR-7309

DE Shaft End

Internal AEGIS ground ring on the DE
 Color Munsell N 1 matte black
 Painting plan 207N
 Mounting F-1/B34R(D)

ECM	LOC	SUMMARY OF MODIFICATIONS	EXECUTED	CHECKED	RELEASED	DATE	VER
EXECUTED	PIRWBUSER	THREE PH. MOTOR ROLLED STEEL CLOSE COUPLED PUMP JP 3/8" DE PRELIM					
CHECKED		FRAME 143/5JP IP21 ODP					
RELEASED							
REL DT.	WMO	Jaragua do Sul	Product Engineering	WDD	SHEET	1 / 1	

1.5 HP 02 Poles 60 Hz

