

DATA SHEET



Three Phase Induction Motor - Squirrel Cage

Customer :																			
Product line	: NEMA Premium Efficiency Three-Phase																		
Product code :	11611529																		
Catalog # :	00158ET3H145T-W22																		
Frame : 143/5T Output : 1.5 HP (1.1 kW) Poles : 4 Frequency : 60 Hz Rated voltage : 575 V Rated current : 1.62 A L. R. Amperes : 13.6 A LRC : 8.4x(Code L) No load current : 0.880 A Rated speed : 1755 rpm Slip : 2.50 % Rated torque : 4.49 ft.lb Locked rotor torque : 290 % Breakdown torque : 350 % Insulation class : F Service factor : 1.25 Moment of inertia (J) : 0.1431 sq.ft.lb Design : B	Locked rotor time : 25s (cold) 14s (hot) Temperature rise : 80 K Duty cycle : Cont.(S1) Ambient temperature : -20°C to +40°C Altitude : 1000 m.a.s.l. Protection degree : IP55 Cooling method : IC411 - TEFC Mounting : F-1 Rotation ¹ : Both (CW and CCW) Noise level ² : 51.0 dB(A) Starting method : Direct On Line Approx. weight ³ : 49.5 lb																		
Output	25% 50% 75% 100%																		
Efficiency (%)	81.3 82.5 85.5 86.5																		
Power Factor	0.35 0.60 0.70 0.79																		
Foundation loads																			
Max. traction	: 112 lb																		
Max. compression	: 161 lb																		
	<table border="0"> <tr> <td></td> <td style="text-align: center;"><u>Drive end</u></td> <td style="text-align: center;"><u>Non drive end</u></td> </tr> <tr> <td>Bearing type</td> <td>: 6205 ZZ</td> <td>6204 ZZ</td> </tr> <tr> <td>Sealing</td> <td>: V'Ring</td> <td>V'Ring</td> </tr> <tr> <td>Lubrication interval</td> <td>: -</td> <td>-</td> </tr> <tr> <td>Lubricant amount</td> <td>: -</td> <td>-</td> </tr> <tr> <td>Lubricant type</td> <td colspan="2">: Mobil Polyrex EM</td> </tr> </table>		<u>Drive end</u>	<u>Non drive end</u>	Bearing type	: 6205 ZZ	6204 ZZ	Sealing	: V'Ring	V'Ring	Lubrication interval	: -	-	Lubricant amount	: -	-	Lubricant type	: Mobil Polyrex EM	
	<u>Drive end</u>	<u>Non drive end</u>																	
Bearing type	: 6205 ZZ	6204 ZZ																	
Sealing	: V'Ring	V'Ring																	
Lubrication interval	: -	-																	
Lubricant amount	: -	-																	
Lubricant type	: Mobil Polyrex EM																		
Notes																			
This revision replaces and cancel the previous one, which must be eliminated. (1) Looking the motor from the shaft end. (2) Measured at 1m and with tolerance of +3dB(A). (3) Approximate weight subject to changes after manufacturing process. (4) At 100% of full load.																			
These are average values based on tests with sinusoidal power supply, subject to the tolerances stipulated in NEMA MG-1.																			
Rev.	Changes Summary	Performed	Checked	Date															
Performed by																			
Checked by			Page	Revision															
Date	12/04/2022		1 / 6																

TORQUE AND CURRENT VS SPEED CURVE

Three Phase Induction Motor - Squirrel Cage



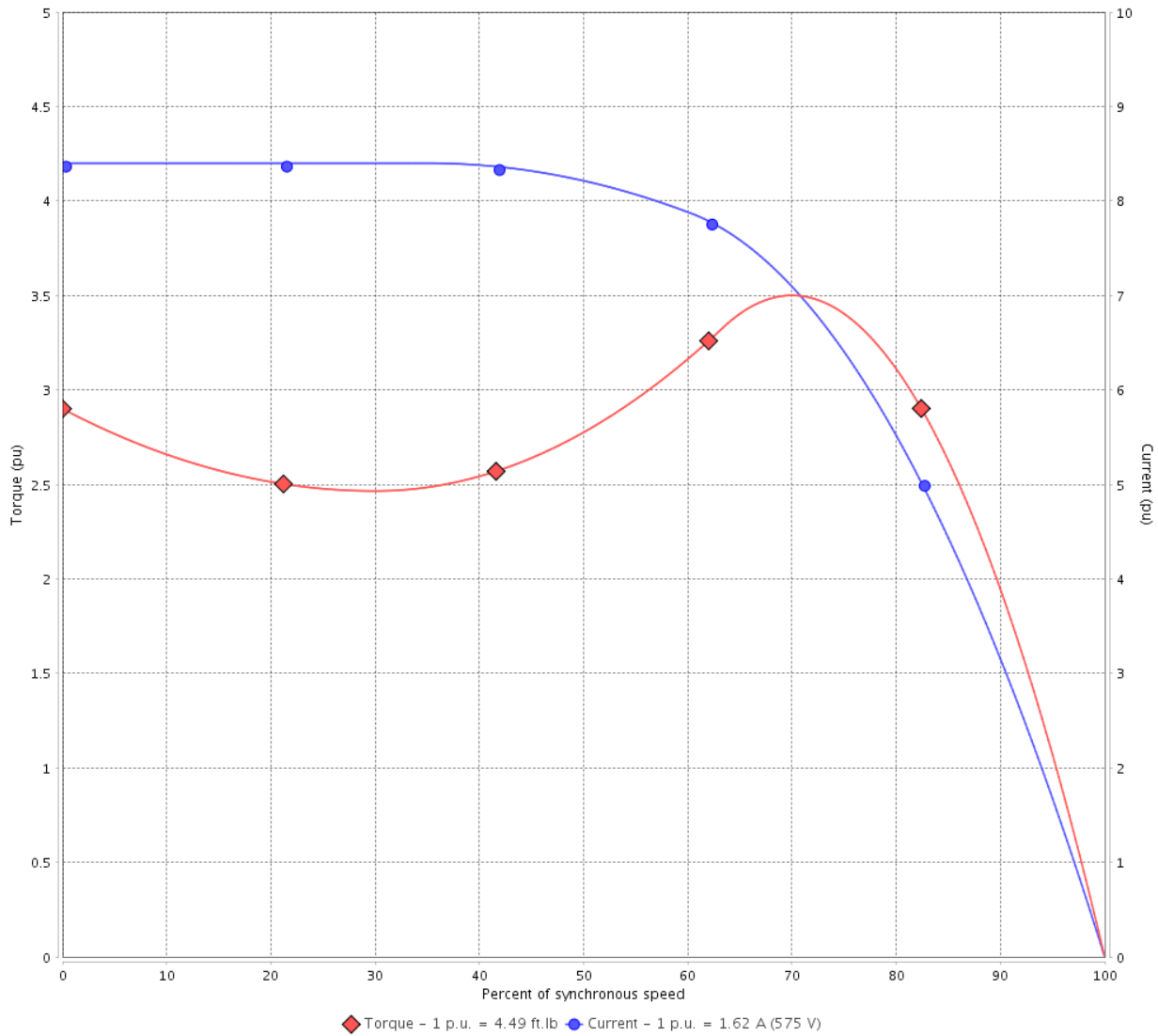
Customer :

Product line : NEMA Premium Efficiency Three-Phase

Product code : 11611529

Catalog # : 00158ET3H145T-W22

TORQUE AND CURRENT VS SPEED CURVE



Performance : 575 V 60 Hz 4P

Rated current	: 1.62 A	Moment of inertia (J)	: 0.1431 sq.ft.lb
LRC	: 8.4	Duty cycle	: Cont.(S1)
Rated torque	: 4.49 ft.lb	Insulation class	: F
Locked rotor torque	: 290 %	Service factor	: 1.25
Breakdown torque	: 350 %	Temperature rise	: 80 K
Rated speed	: 1755 rpm	Design	: B

Locked rotor time : 25s (cold) 14s (hot)

Rev.	Changes Summary	Performed	Checked	Date
Performed by			Page 2 / 6	Revision
Checked by				
Date	12/04/2022			

LOAD PERFORMANCE CURVE

Three Phase Induction Motor - Squirrel Cage

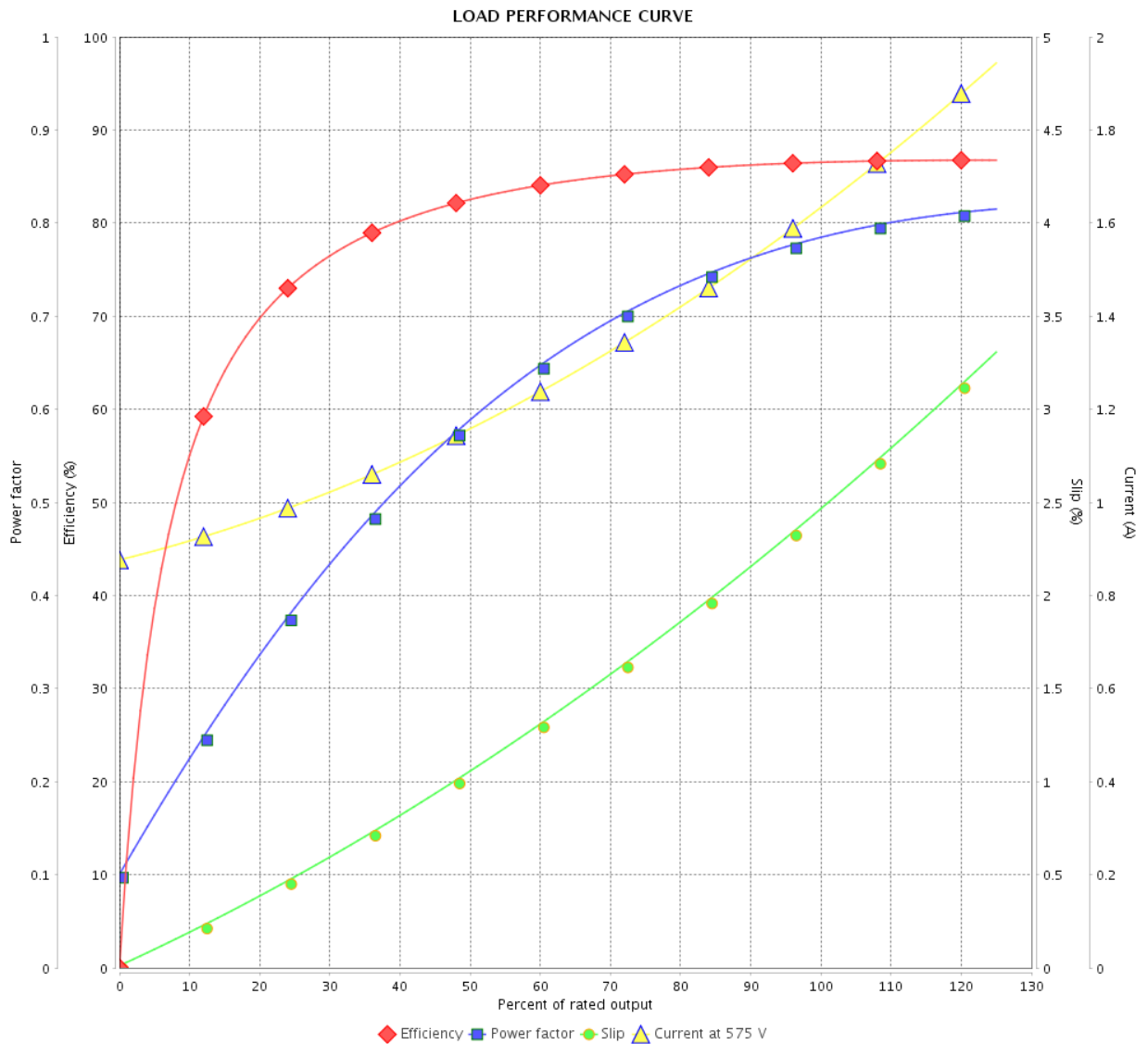


Customer : _____

Product line : NEMA Premium Efficiency Three-Phase

Product code : 11611529

Catalog # : 00158ET3H145T-W22



Performance : 575 V 60 Hz 4P

Rated current : 1.62 A
 LRC : 8.4
 Rated torque : 4.49 ft.lb
 Locked rotor torque : 290 %
 Breakdown torque : 350 %
 Rated speed : 1755 rpm

Moment of inertia (J) : 0.1431 sq.ft.lb
 Duty cycle : Cont.(S1)
 Insulation class : F
 Service factor : 1.25
 Temperature rise : 80 K
 Design : B

Rev.	Changes Summary	Performed	Checked	Date
Performed by			Page	Revision
Checked by			3 / 6	
Date	12/04/2022			

THERMAL LIMIT CURVE



Three Phase Induction Motor - Squirrel Cage

Customer :

Product line : NEMA Premium Efficiency Three-Phase
Product code : 11611529
Catalog # : 00158ET3H145T-W22

Performance : 575 V 60 Hz 4P

Rated current : 1.62 A	Moment of inertia (J) : 0.1431 sq.ft.lb
LRC : 8.4	Duty cycle : Cont.(S1)
Rated torque : 4.49 ft.lb	Insulation class : F
Locked rotor torque : 290 %	Service factor : 1.25
Breakdown torque : 350 %	Temperature rise : 80 K
Rated speed : 1755 rpm	Design : B

Heating constant

Cooling constant

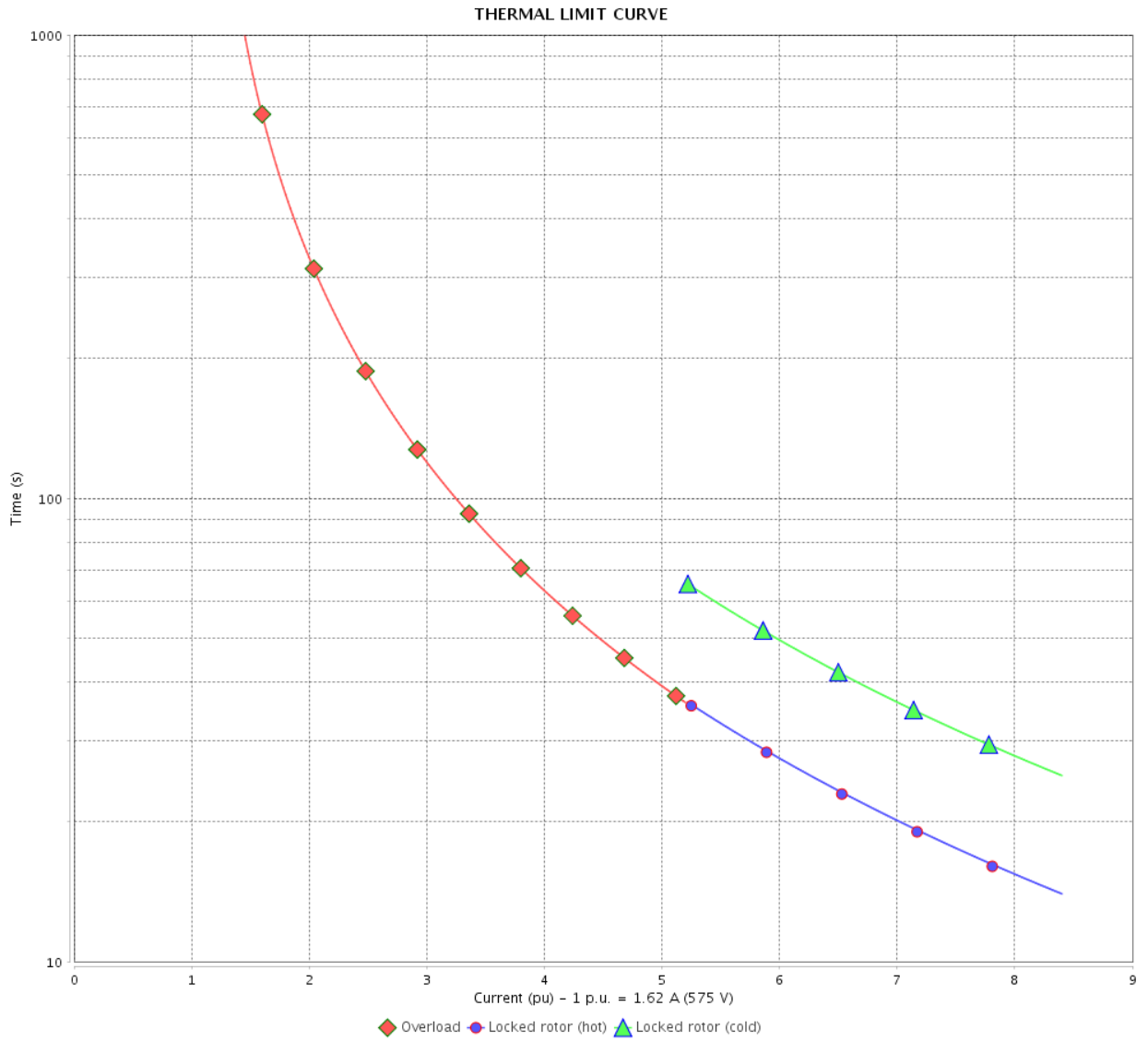
Rev.	Changes Summary	Performed	Checked	Date
Performed by			Page	Revision
Checked by				
Date				
			4 / 6	

THERMAL LIMIT CURVE

Three Phase Induction Motor - Squirrel Cage



Customer : _____



Rev.	Changes Summary	Performed	Checked	Date
Performed by		Page 5 / 6		Revision
Checked by				
Date				

VFD OPERATION CURVE

Three Phase Induction Motor - Squirrel Cage



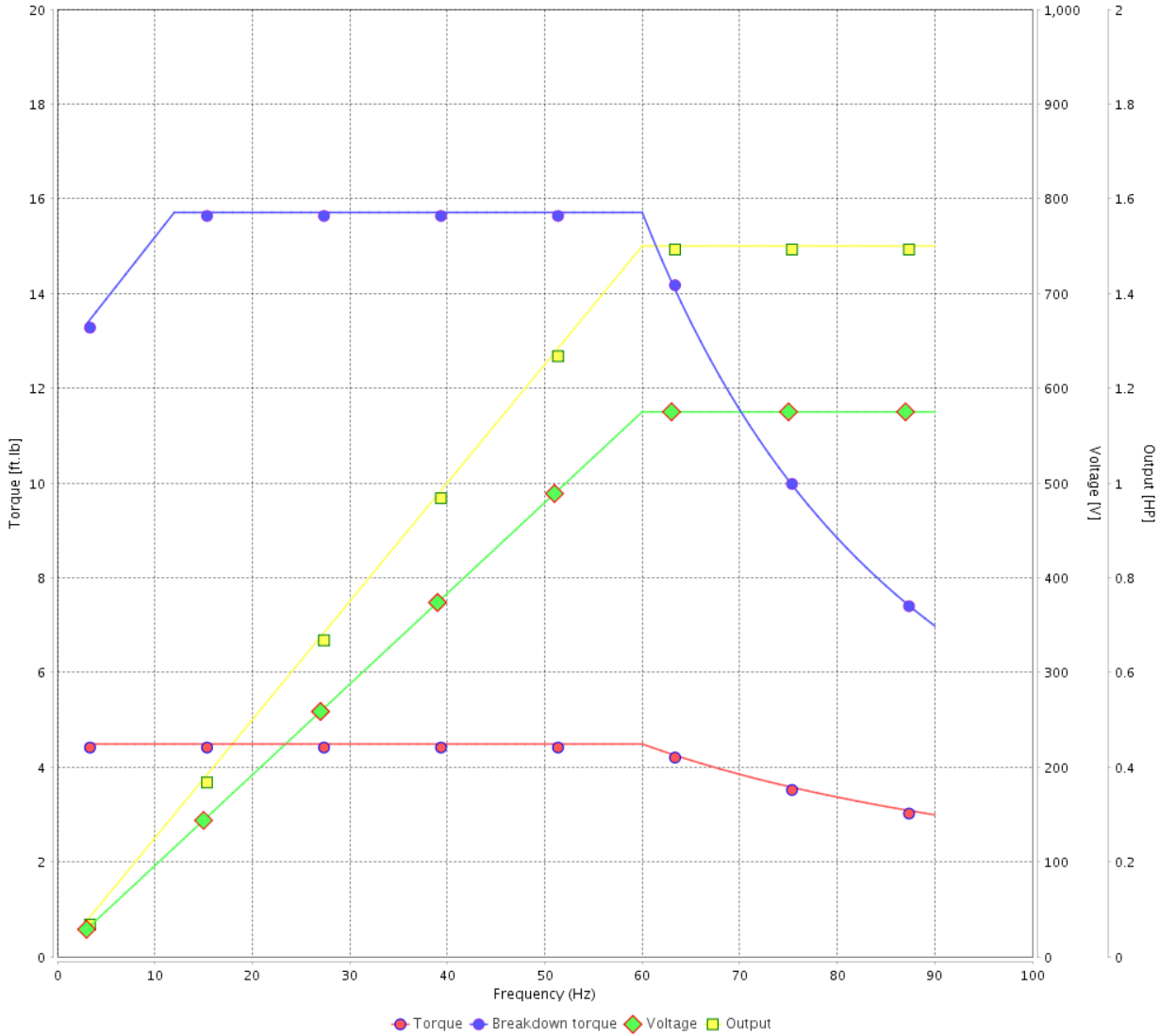
Customer :

Product line : NEMA Premium Efficiency Three-Phase

Product code : 11611529

Catalog # : 00158ET3H145T-W22

VFD OPERATION CURVE

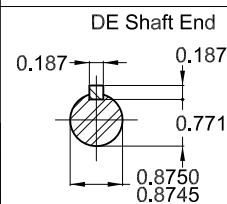
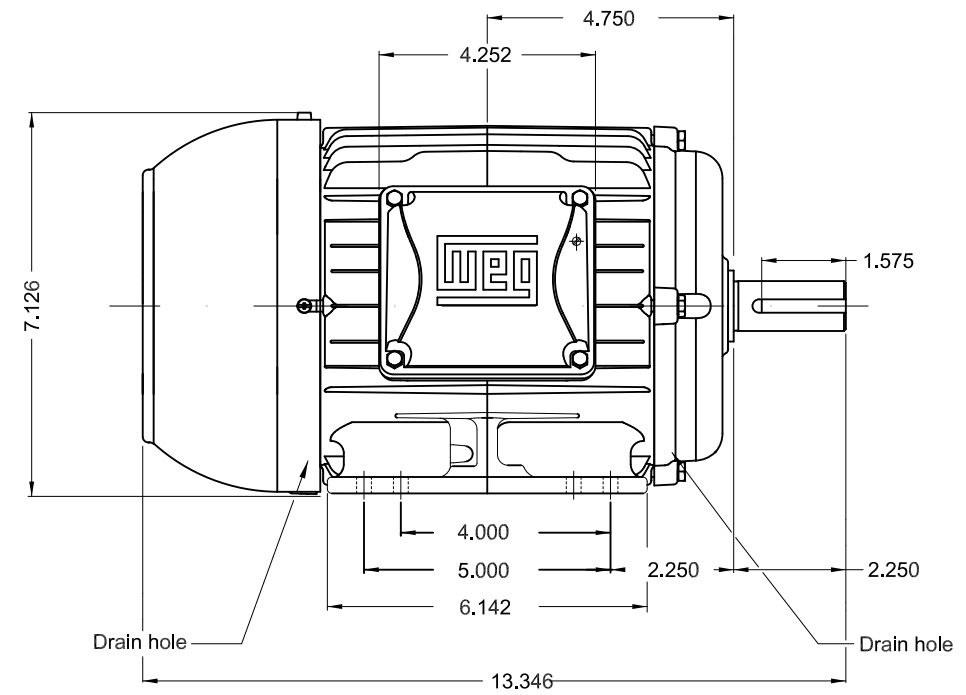
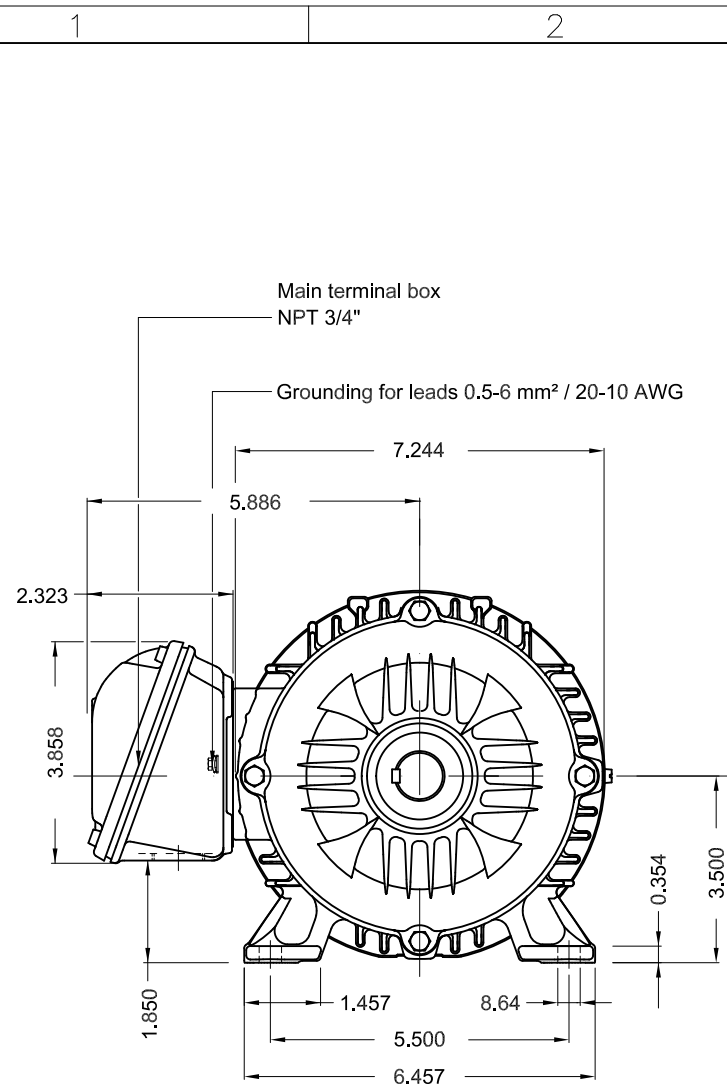


Performance : 575 V 60 Hz 4P

Rated current : 1.62 A
 LRC : 8.4
 Rated torque : 4.49 ft.lb
 Locked rotor torque : 290 %
 Breakdown torque : 350 %
 Rated speed : 1755 rpm

Moment of inertia (J) : 0.1431 sq.ft.lb
 Duty cycle : Cont.(S1)
 Insulation class : F
 Service factor : 1.25
 Temperature rise : 80 K
 Design : B

Rev.	Changes Summary	Performed	Checked	Date
Performed by			Page 6 / 6	Revision
Checked by				
Date	12/04/2022			



Color RAL 5009
 Painting plan 207A
 Mounting B3R(D)

1.5 HP 04 Poles 60 Hz

A

ECM	LOC	SUMMARY OF MODIFICATIONS	EXECUTED	CHECKED	RELEASED	DATE	VER
EXECUTED	PIRWBUSER	THREE PH. MOTOR W22 PREM. EFF.					
CHECKED		FRAME 143/5T IP55 TEFC					
RELEASED							
REL DT.	WMO	Jaragua do Sul	Product Engineering				

PREVIEW
 WDD



SHEET 1 / 1

Dimensions in inches

XME A3

MADE IN MEXICO
11611529



MODEL 00158ET3H145T-W22

Inverter Duty Motor
Severe Duty



Class I, Div 2, Gr A, B, C and D - T3
Class I, Zone 2, IIC - T3
Class II, Div 2, Gr F and G - T5
For use on PWM: Gr. A, B, C, D, F and G,
VT 1000:1, CT 20:1, 1.00SF - T4A



FOR SAFE AREA
Mod. TE1BFOXON
CC029A

PH3 60Hz Fr. 143/5T 1000m.a.s.l. IP55 TEFC 50lb

V 575

A 1.62

HP 1.5

kW 1.1

SF 1.25

SFA 2.03

RPM 1755

PF 0.79

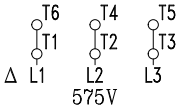
AMB 40°C

INS cl. F DT80K

NEMA NOM EFF 86.5%

DUTY CONT.

DES B Code L



MOBIL POLYREX EM