

# DATA SHEET



## Three Phase Induction Motor - Squirrel Cage

Customer :			
Product line	: JM Pump NEMA Premium Efficiency Three-Phase	Product code :	13485858
		Catalog # :	00212ET3E184JM-S
Frame	: 182/4JM	Cooling method	: IC411 - TEFC
Insulation class	: F	Mounting	: F-1
Duty cycle	: Cont.(S1)	Rotation <sup>1</sup>	: Both (CW and CCW)
Ambient temperature	: -20°C to +40°C	Starting method	: Direct On Line
Altitude	: 1000 m.a.s.l.	Approx. weight <sup>2</sup>	: 87.2 lb
Protection degree	: IP55	Moment of inertia (J)	: 0.3424 sq.ft.lb
Design	: B		
Output [HP]	2	2	2
Poles	6	6	6
Frequency [Hz]	60	50	50
Rated voltage [V]	230/460	190-220/380	415
Rated current [A]	6.00/3.00	7.00-6.05/3.50	3.41
L. R. Amperes [A]	45.0/22.5	42.7-36.9/21.3	24.2
LRC [A]	7.5x(Code K)	6.1x(Code H)	7.1x(Code K)
No load current [A]	3.74/1.87	3.69-3.19/1.85	2.15
Rated speed [RPM]	1170	955	965
Slip [%]	2.50	4.50	3.50
Rated torque [ft.lb]	8.98	11.0	10.9
Locked rotor torque [%]	260	210	280
Breakdown torque [%]	370	280	350
Service factor	1.15	1.15	1.15
Temperature rise	80 K	80 K	80 K
Locked rotor time	79s (cold) 44s (hot)	0s (cold) 0s (hot)	0s (cold) 0s (hot)
Noise level <sup>2</sup>	52.0 dB(A)	50.0 dB(A)	50.0 dB(A)
Efficiency (%)	25%		
	50%	84.0	85.3
	75%	86.5	86.4
	100%	88.5	85.7
Power Factor	25%		
	50%	0.50	0.57
	75%	0.62	0.69
	100%	0.71	0.76
Bearing type	: <u>Drive end</u> 6207 ZZ <u>Non drive end</u> 6205 ZZ	Foundation loads	
Sealing	: V'Ring Without Bearing Seal	Max. traction	: 200 lb
		Max. compression	: 287 lb
Lubrication interval	: -		
Lubricant amount	: -		
Lubricant type	: Mobil Polyrex EM		
Notes USABLE @208V 6.63A SF 1.00 SFA 6.63A			
This revision replaces and cancel the previous one, which must be eliminated. (1) Looking the motor from the shaft end. (2) Measured at 1m and with tolerance of +3dB(A). (3) Approximate weight subject to changes after manufacturing process. (4) At 100% of full load.		These are average values based on tests with sinusoidal power supply, subject to the tolerances stipulated in NEMA MG-1.	
Rev.	Changes Summary	Performed	Checked
			Date
Performed by			
Checked by			Page
Date	14/04/2022		Revision
			1 / 16

# TORQUE AND CURRENT VS SPEED CURVE

Three Phase Induction Motor - Squirrel Cage



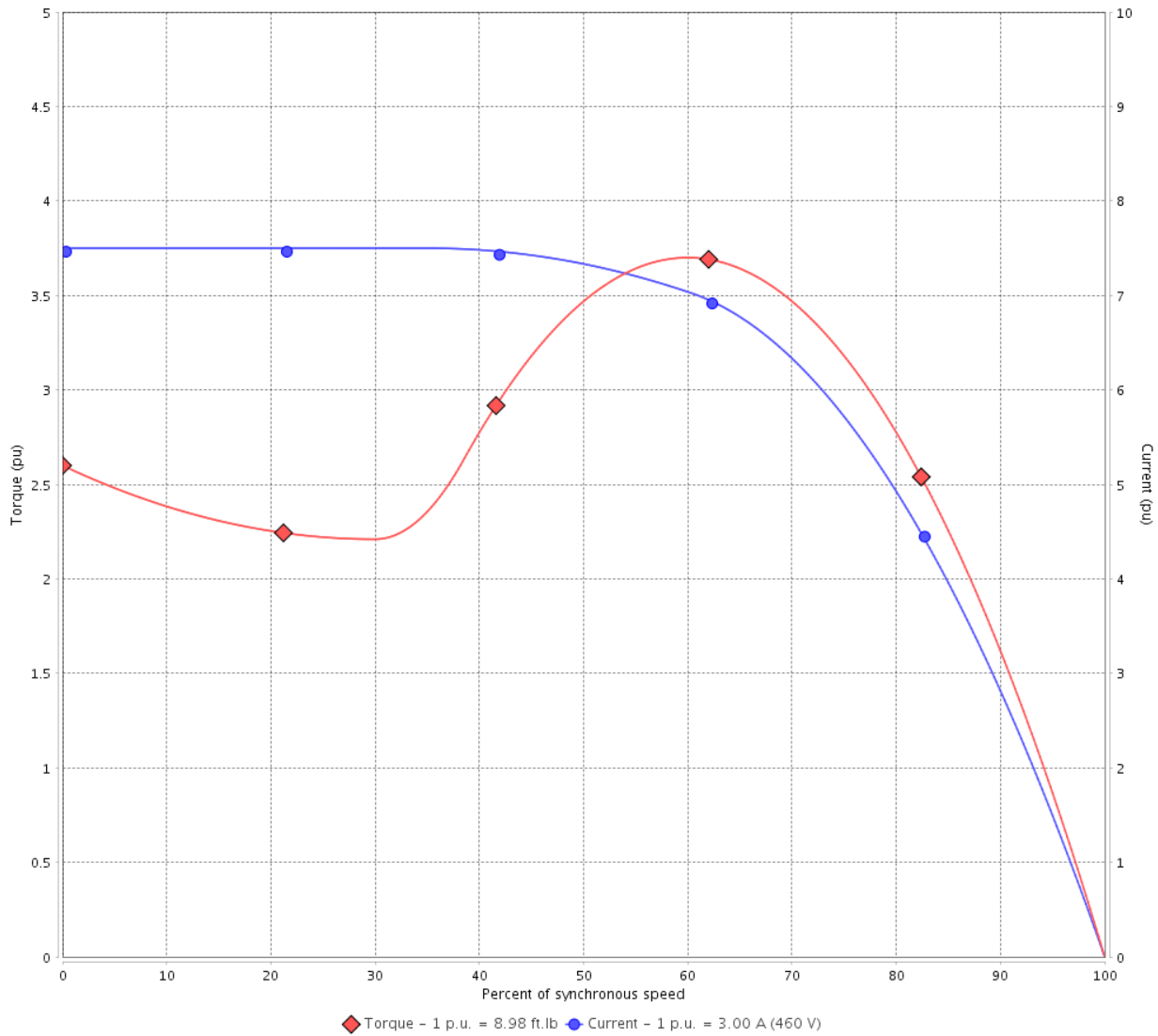
Customer :

Product line : JM Pump NEMA Premium  
Efficiency Three-Phase

Product code : 13485858

Catalog # : 00212ET3E184JM-S

TORQUE AND CURRENT VS SPEED CURVE



Performance : 230/460 V 60 Hz 6P

Rated current	: 6.00/3.00 A	Moment of inertia (J)	: 0.3424 sq.ft.lb
LRC	: 7.5	Duty cycle	: Cont.(S1)
Rated torque	: 8.98 ft.lb	Insulation class	: F
Locked rotor torque	: 260 %	Service factor	: 1.15
Breakdown torque	: 370 %	Temperature rise	: 80 K
Rated speed	: 1170 rpm	Design	: B

Locked rotor time : 79s (cold) 44s (hot)

Rev.	Changes Summary	Performed	Checked	Date
Performed by			Page 2 / 16	Revision
Checked by				
Date	14/04/2022			

# TORQUE AND CURRENT VS SPEED CURVE



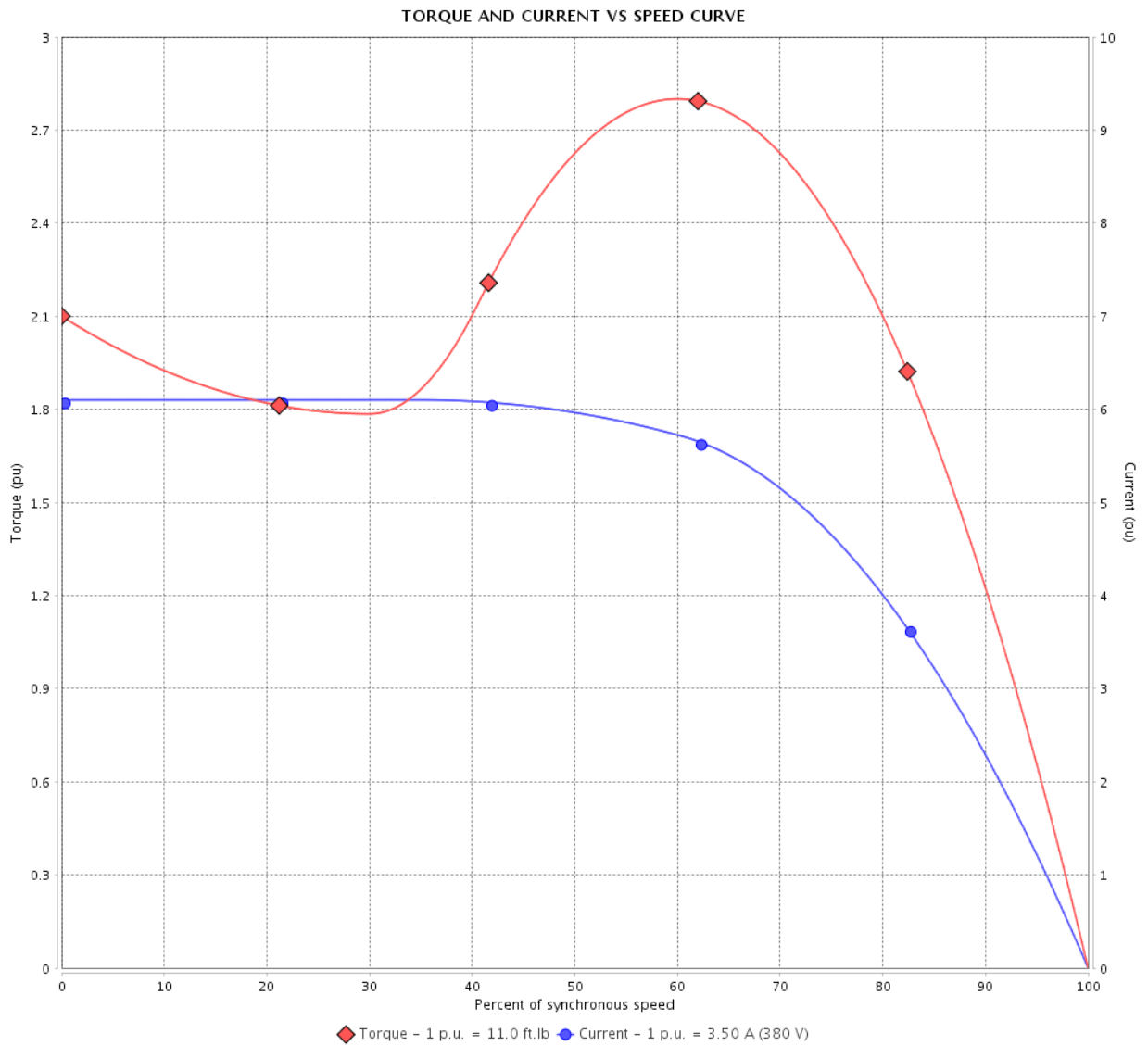
## Three Phase Induction Motor - Squirrel Cage

Customer :

Product line : JM Pump NEMA Premium Efficiency Three-Phase

Product code : 13485858

Catalog # : 00212ET3E184JM-S



Performance : 190-220/380 V 50 Hz 6P

Rated current	: 7.00-6.05/3.50 A	Moment of inertia (J)	: 0.3424 sq.ft.lb
LRC	: 6.1	Duty cycle	: Cont.(S1)
Rated torque	: 11.0 ft.lb	Insulation class	: F
Locked rotor torque	: 210 %	Service factor	: 1.15
Breakdown torque	: 280 %	Temperature rise	: 80 K
Rated speed	: 955 rpm	Design	: B

Locked rotor time : 0s (cold) 0s (hot)

Rev.	Changes Summary	Performed	Checked	Date
Performed by			Page 3 / 16	Revision
Checked by				
Date	14/04/2022			

# TORQUE AND CURRENT VS SPEED CURVE

## Three Phase Induction Motor - Squirrel Cage



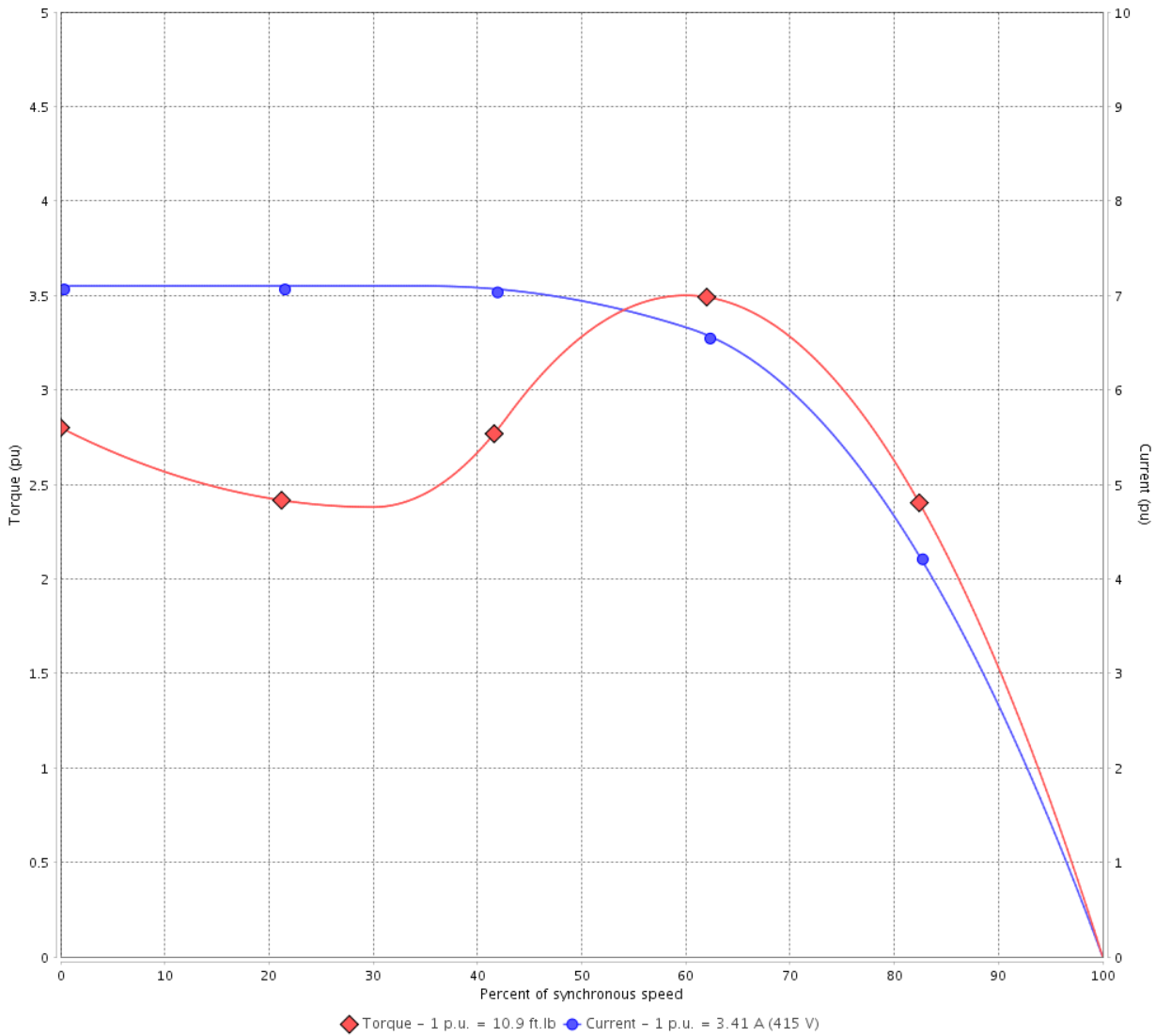
Customer :

Product line : JM Pump NEMA Premium  
Efficiency Three-Phase

Product code : 13485858

Catalog # : 00212ET3E184JM-S

TORQUE AND CURRENT VS SPEED CURVE



Performance : 415 V 50 Hz 6P

Rated current	: 3.41 A	Moment of inertia (J)	: 0.3424 sq.ft.lb
LRC	: 7.1	Duty cycle	: Cont.(S1)
Rated torque	: 10.9 ft.lb	Insulation class	: F
Locked rotor torque	: 280 %	Service factor	: 1.15
Breakdown torque	: 350 %	Temperature rise	: 80 K
Rated speed	: 965 rpm	Design	: B

Locked rotor time : 0s (cold) 0s (hot)

Rev.	Changes Summary	Performed	Checked	Date
Performed by			Page 4 / 16	Revision
Checked by				
Date	14/04/2022			

# LOAD PERFORMANCE CURVE

## Three Phase Induction Motor - Squirrel Cage

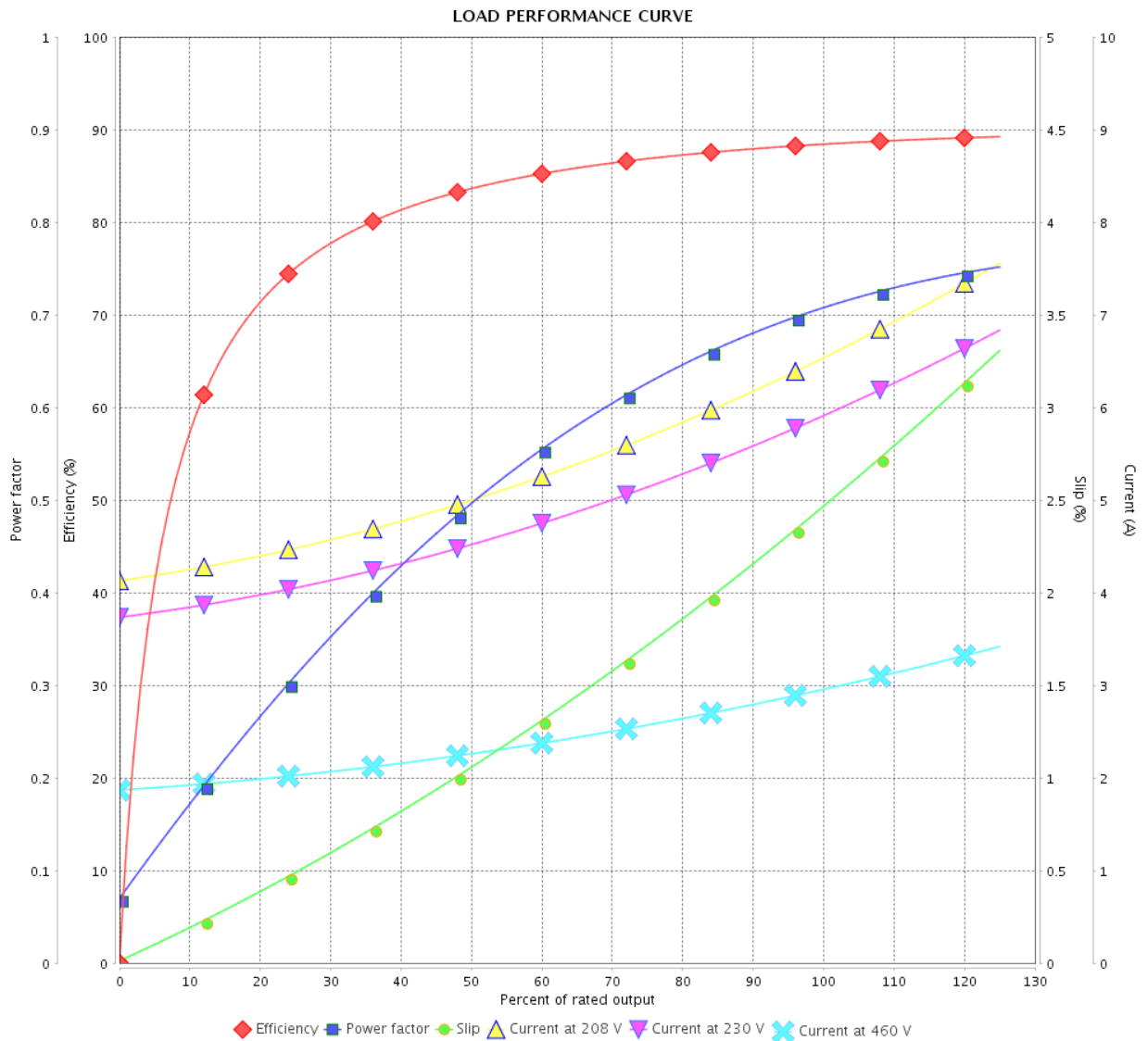


Customer :

Product line : JM Pump NEMA Premium Efficiency Three-Phase

Product code : 13485858

Catalog # : 00212ET3E184JM-S



Performance : 230/460 V 60 Hz 6P

Rated current : 6.00/3.00 A  
 LRC : 7.5  
 Rated torque : 8.98 ft.lb  
 Locked rotor torque : 260 %  
 Breakdown torque : 370 %  
 Rated speed : 1170 rpm

Moment of inertia (J) : 0.3424 sq.ft.lb  
 Duty cycle : Cont.(S1)  
 Insulation class : F  
 Service factor : 1.15  
 Temperature rise : 80 K  
 Design : B

Rev.	Changes Summary	Performed	Checked	Date
Performed by			Page	Revision
Checked by				
Date				

# LOAD PERFORMANCE CURVE

Three Phase Induction Motor - Squirrel Cage



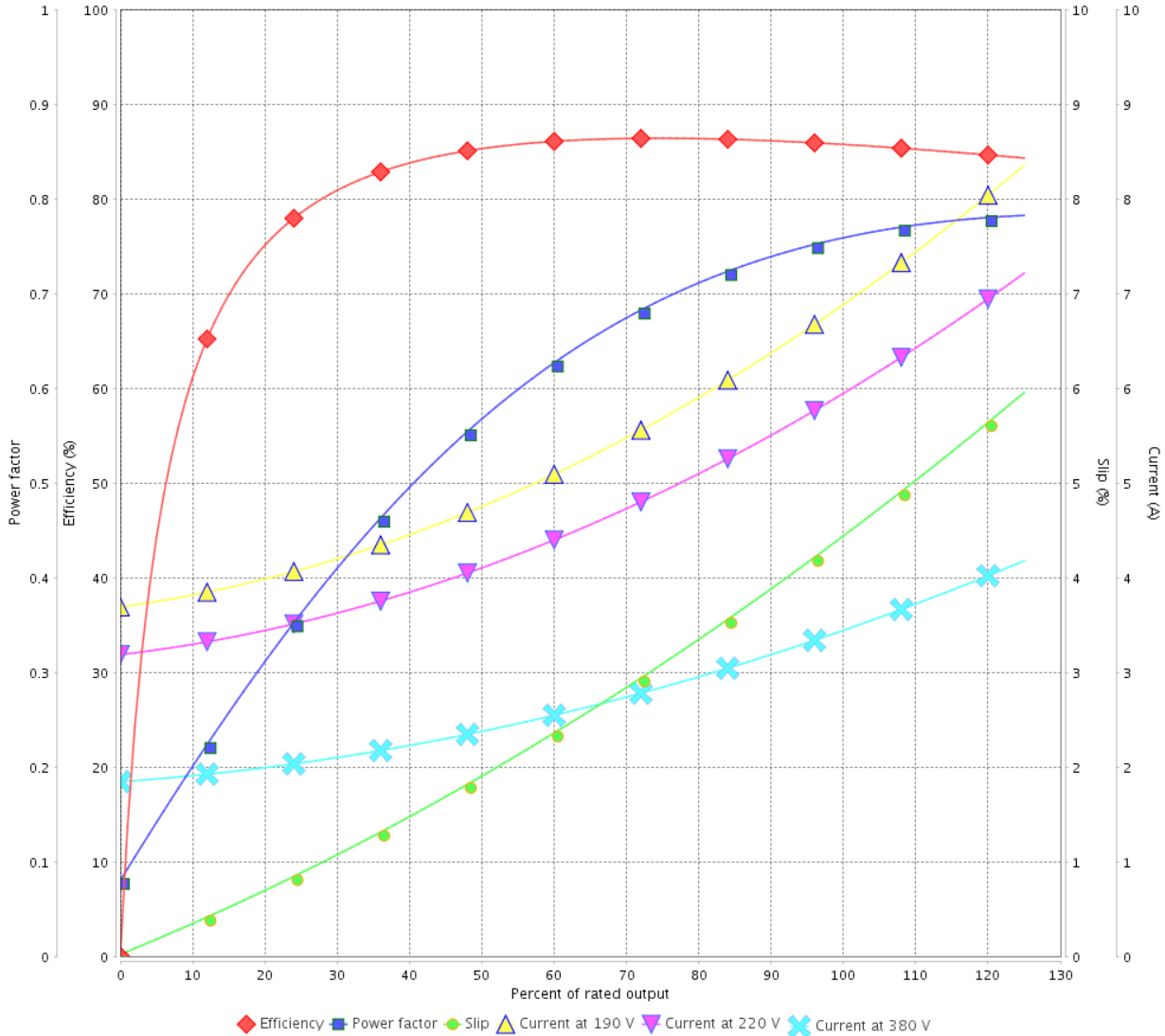
Customer :

Product line : JM Pump NEMA Premium  
Efficiency Three-Phase

Product code : 13485858

Catalog # : 00212ET3E184JM-S

LOAD PERFORMANCE CURVE



Performance : 190-220/380 V 50 Hz 6P

Rated current : 7.00-6.05/3.50 A  
 LRC : 6.1  
 Rated torque : 11.0 ft.lb  
 Locked rotor torque : 210 %  
 Breakdown torque : 280 %  
 Rated speed : 955 rpm

Moment of inertia (J) : 0.3424 sq.ft.lb  
 Duty cycle : Cont.(S1)  
 Insulation class : F  
 Service factor : 1.15  
 Temperature rise : 80 K  
 Design : B

Rev.	Changes Summary	Performed	Checked	Date
Performed by			Page	Revision
Checked by				
Date				

# LOAD PERFORMANCE CURVE

## Three Phase Induction Motor - Squirrel Cage

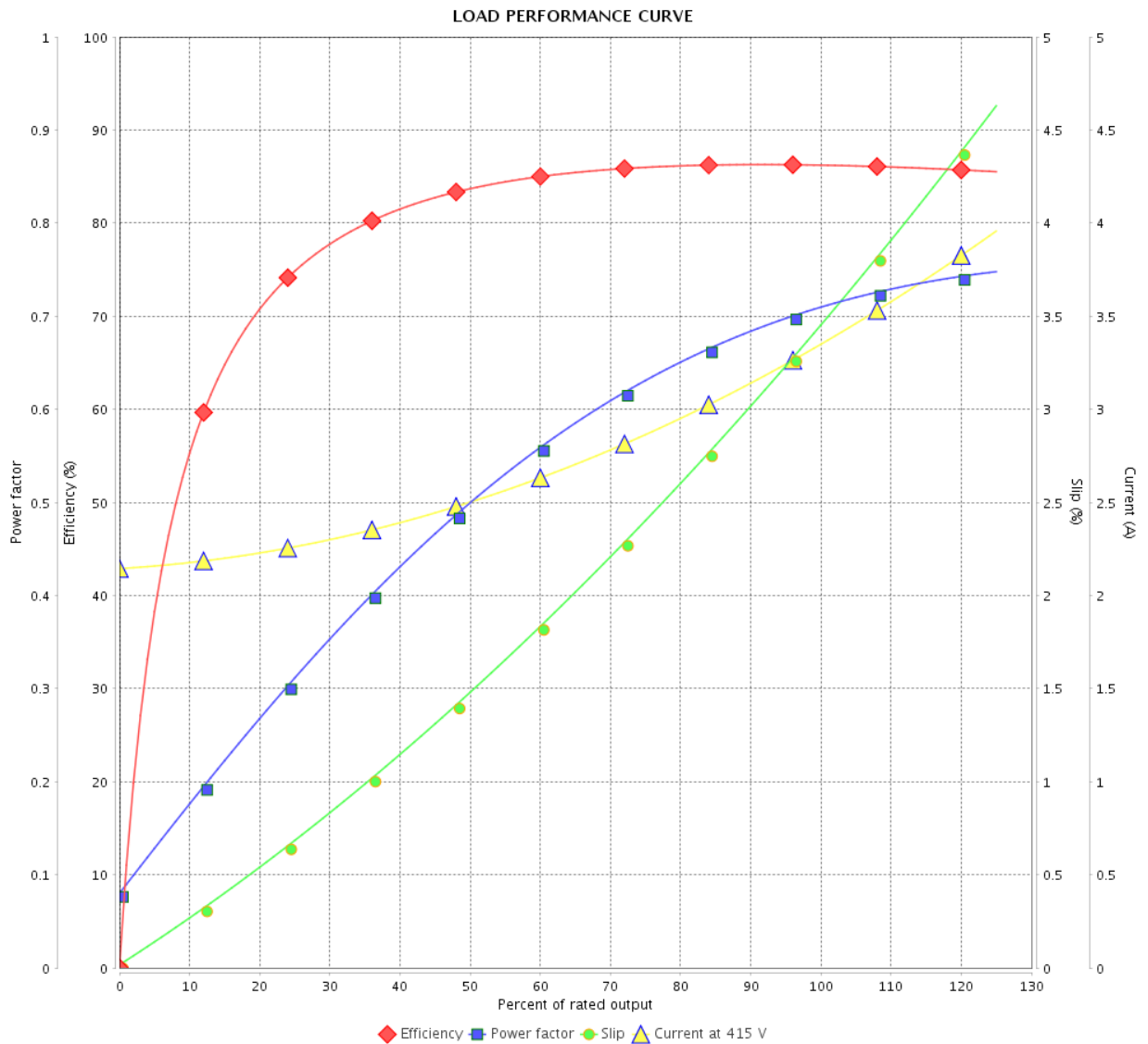


Customer :

Product line : JM Pump NEMA Premium Efficiency Three-Phase

Product code : 13485858

Catalog # : 00212ET3E184JM-S



Performance : 415 V 50 Hz 6P

Rated current : 3.41 A  
 LRC : 7.1  
 Rated torque : 10.9 ft.lb  
 Locked rotor torque : 280 %  
 Breakdown torque : 350 %  
 Rated speed : 965 rpm

Moment of inertia (J) : 0.3424 sq.ft.lb  
 Duty cycle : Cont.(S1)  
 Insulation class : F  
 Service factor : 1.15  
 Temperature rise : 80 K  
 Design : B

Rev.	Changes Summary	Performed	Checked	Date
Performed by		Page		Revision
Checked by		7 / 16		
Date		14/04/2022		

# THERMAL LIMIT CURVE



## Three Phase Induction Motor - Squirrel Cage

Customer :

Product line : JM Pump NEMA Premium  
Efficiency Three-Phase

Product code : 13485858

Catalog # : 00212ET3E184JM-S

Performance : 230/460 V 60 Hz 6P

Rated current : 6.00/3.00 A  
LRC : 7.5  
Rated torque : 8.98 ft.lb  
Locked rotor torque : 260 %  
Breakdown torque : 370 %  
Rated speed : 1170 rpm

Moment of inertia (J) : 0.3424 sq.ft.lb  
Duty cycle : Cont.(S1)  
Insulation class : F  
Service factor : 1.15  
Temperature rise : 80 K  
Design : B

Heating constant

Cooling constant

Rev.	Changes Summary	Performed	Checked	Date
Performed by				
Checked by			Page	Revision
Date	14/04/2022		8 / 16	

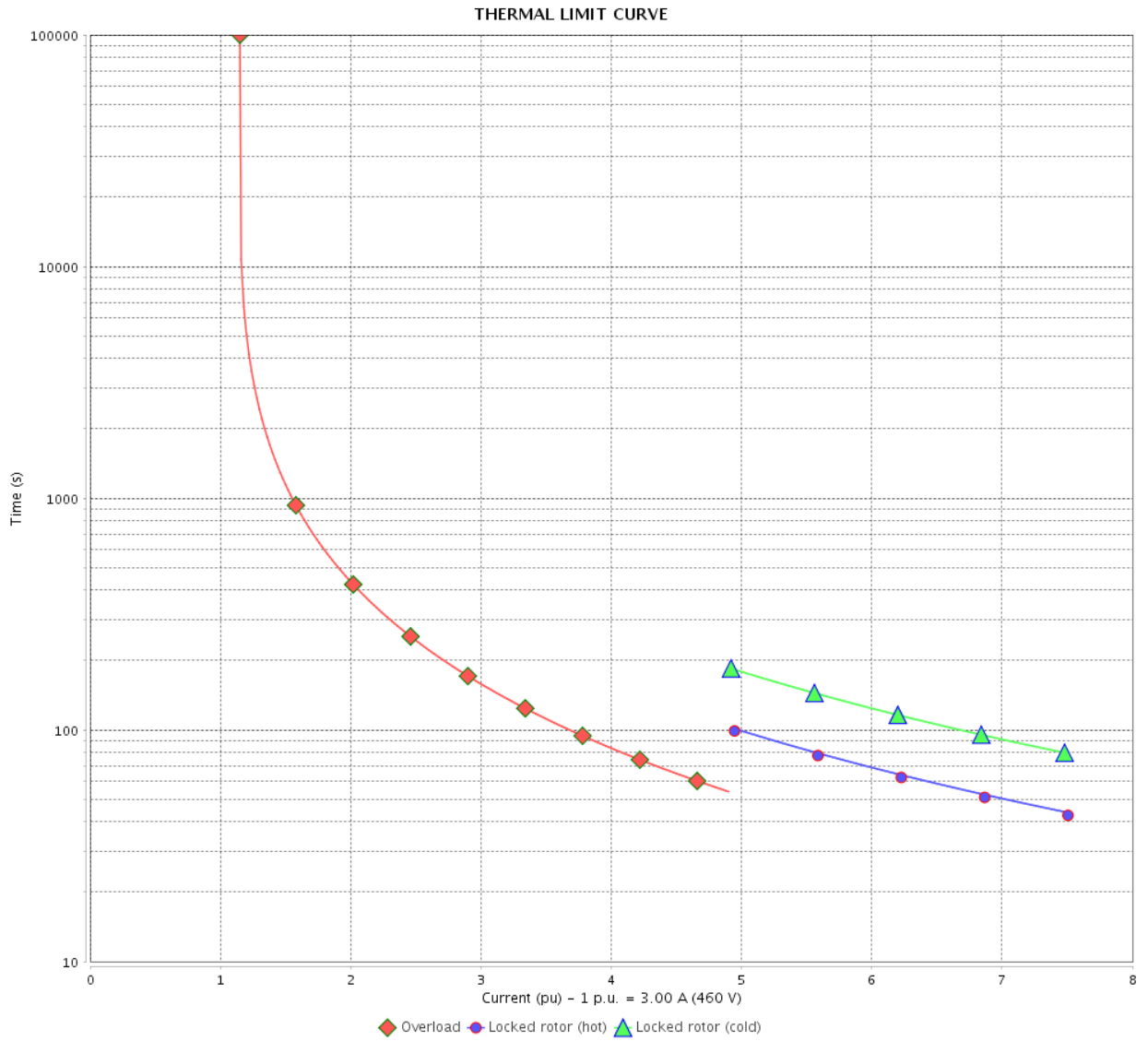


# THERMAL LIMIT CURVE

Three Phase Induction Motor - Squirrel Cage



Customer : \_\_\_\_\_



Rev.	Changes Summary	Performed	Checked	Date
Performed by				
Checked by				
Date				
		Page	Revision	
		9 / 16		

# THERMAL LIMIT CURVE



## Three Phase Induction Motor - Squirrel Cage

Customer :

Product line : JM Pump NEMA Premium  
Efficiency Three-Phase

Product code : 13485858

Catalog # : 00212ET3E184JM-S

Performance : 190-220/380 V 50 Hz 6P

Rated current : 7.00-6.05/3.50 A  
LRC : 6.1  
Rated torque : 11.0 ft.lb  
Locked rotor torque : 210 %  
Breakdown torque : 280 %  
Rated speed : 955 rpm

Moment of inertia (J) : 0.3424 sq.ft.lb  
Duty cycle : Cont.(S1)  
Insulation class : F  
Service factor : 1.15  
Temperature rise : 80 K  
Design : B

Heating constant

Cooling constant

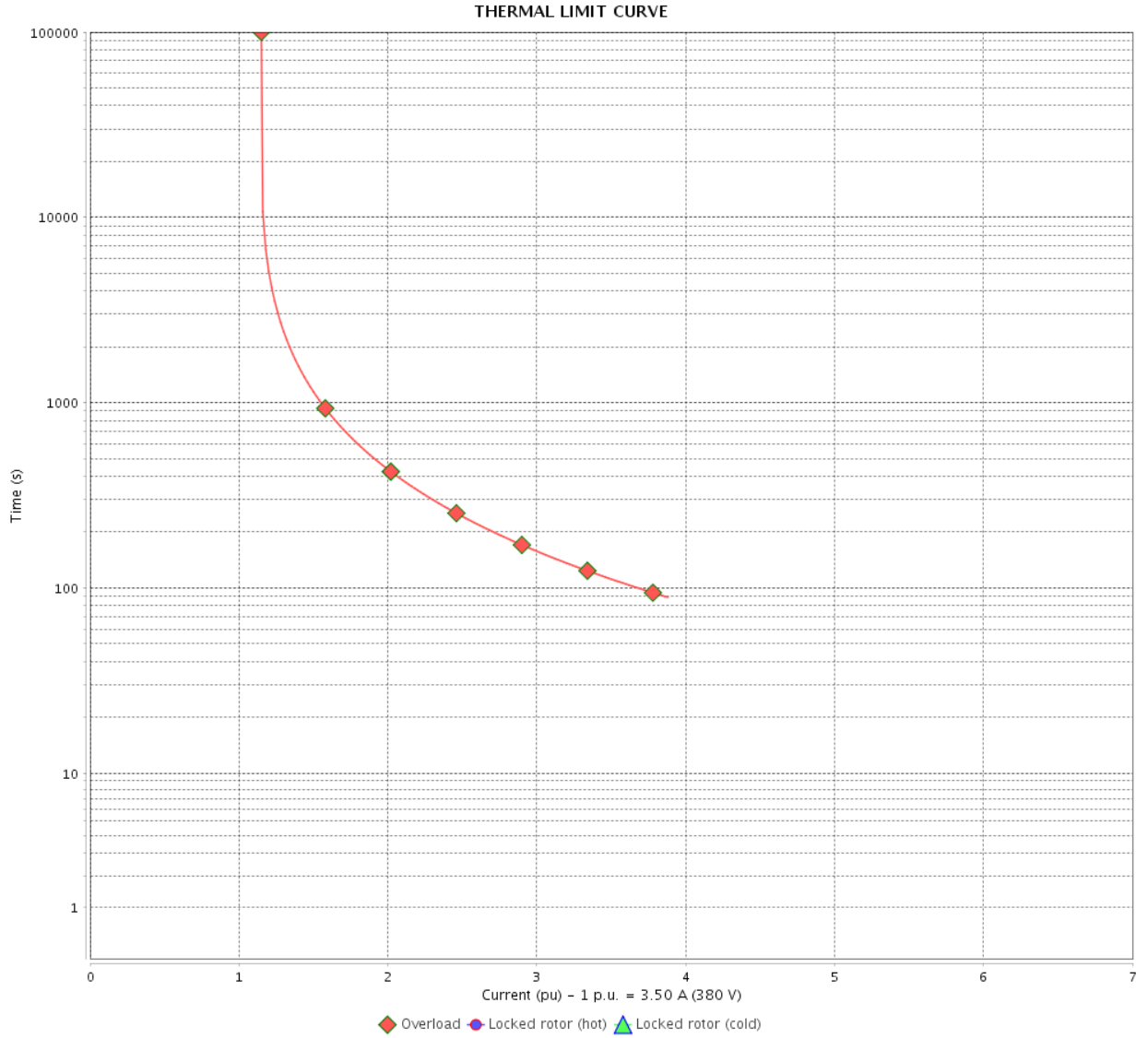
Rev.	Changes Summary	Performed	Checked	Date
Performed by				
Checked by			Page	Revision
Date	14/04/2022		10 / 16	

# THERMAL LIMIT CURVE

Three Phase Induction Motor - Squirrel Cage



Customer : \_\_\_\_\_



Rev.	Changes Summary	Performed	Checked	Date
Performed by		Page      Revision 11 / 16		
Checked by				
Date				

# THERMAL LIMIT CURVE



## Three Phase Induction Motor - Squirrel Cage

Customer :

Product line : JM Pump NEMA Premium  
Efficiency Three-Phase

Product code : 13485858

Catalog # : 00212ET3E184JM-S

Performance : 415 V 50 Hz 6P

Rated current : 3.41 A	Moment of inertia (J) : 0.3424 sq.ft.lb
LRC : 7.1	Duty cycle : Cont.(S1)
Rated torque : 10.9 ft.lb	Insulation class : F
Locked rotor torque : 280 %	Service factor : 1.15
Breakdown torque : 350 %	Temperature rise : 80 K
Rated speed : 965 rpm	Design : B

Heating constant

Cooling constant

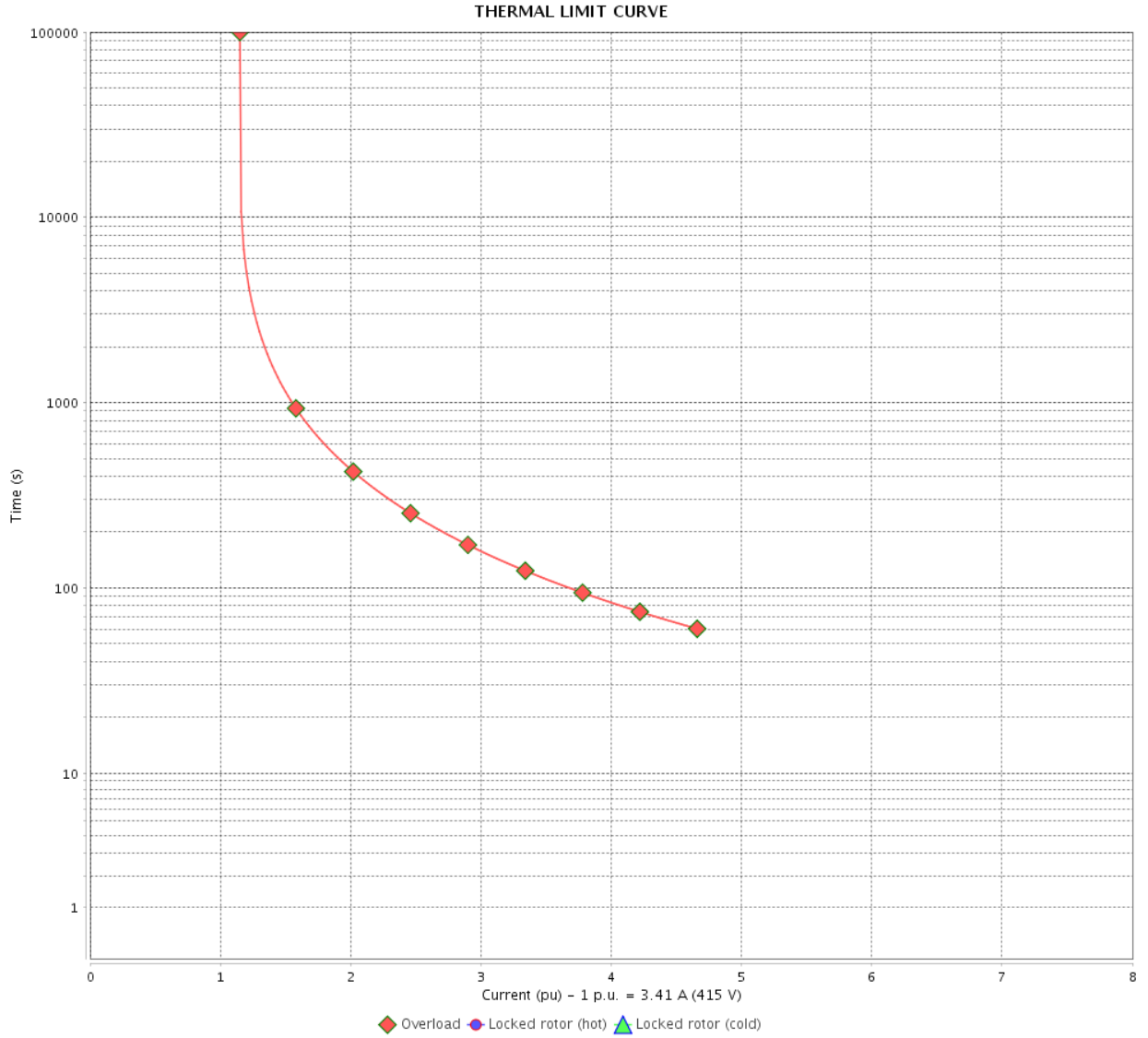
Rev.	Changes Summary	Performed	Checked	Date
Performed by			Page 12 / 16	Revision
Checked by				
Date	14/04/2022			

# THERMAL LIMIT CURVE

Three Phase Induction Motor - Squirrel Cage



Customer : \_\_\_\_\_



Rev.	Changes Summary	Performed	Checked	Date
Performed by		Page		Revision
Checked by		13 / 16		
Date		14/04/2022		

# VFD OPERATION CURVE

Three Phase Induction Motor - Squirrel Cage



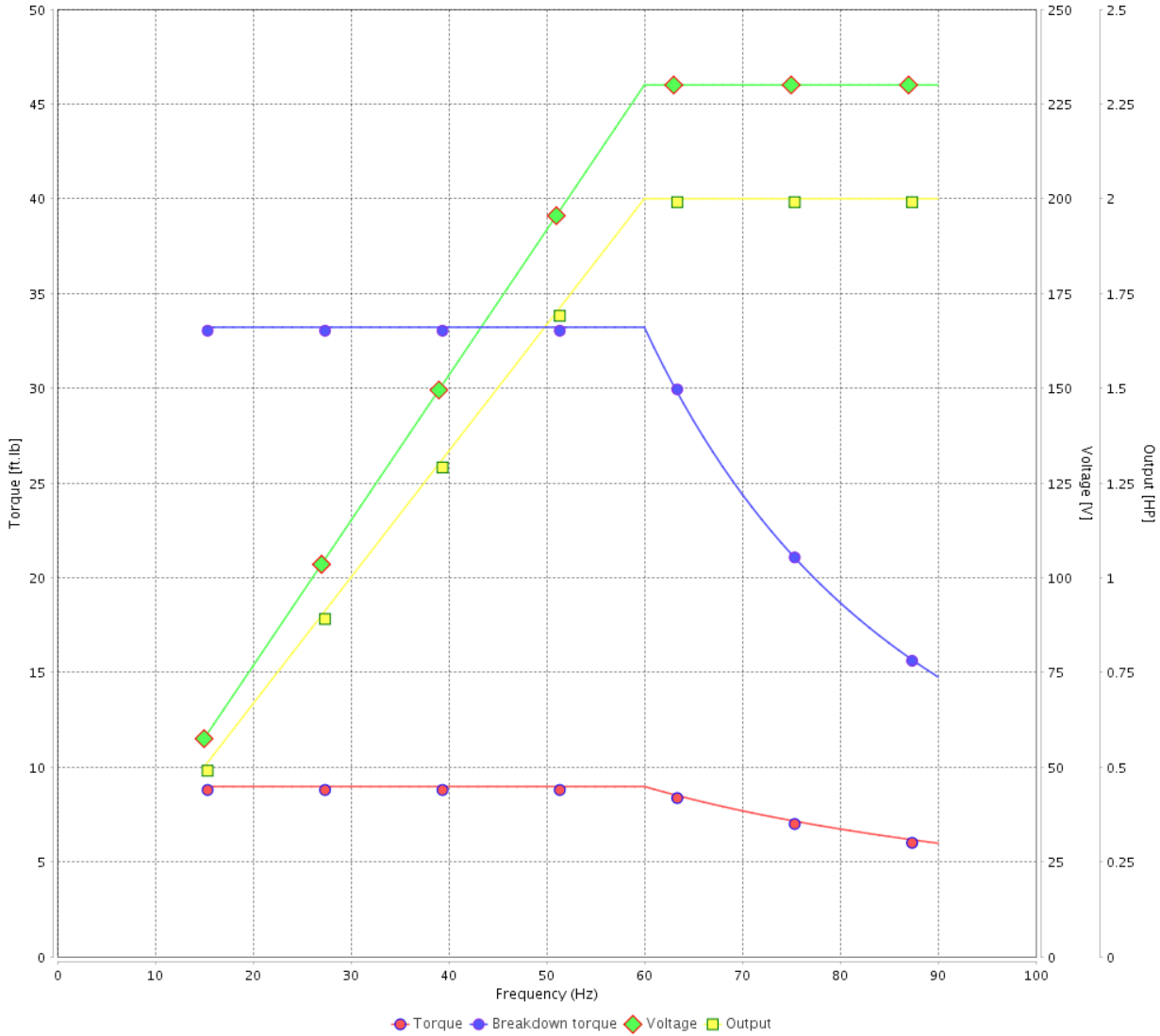
Customer :

Product line : JM Pump NEMA Premium Efficiency Three-Phase

Product code : 13485858

Catalog # : 00212ET3E184JM-S

VFD OPERATION CURVE



Performance : 230/460 V 60 Hz 6P

Rated current : 6.00/3.00 A  
 LRC : 7.5  
 Rated torque : 8.98 ft.lb  
 Locked rotor torque : 260 %  
 Breakdown torque : 370 %  
 Rated speed : 1170 rpm

Moment of inertia (J) : 0.3424 sq.ft.lb  
 Duty cycle : Cont.(S1)  
 Insulation class : F  
 Service factor : 1.15  
 Temperature rise : 80 K  
 Design : B

Rev.	Changes Summary	Performed	Checked	Date
Performed by			Page	Revision
Checked by				
Date				

# VFD OPERATION CURVE

Three Phase Induction Motor - Squirrel Cage

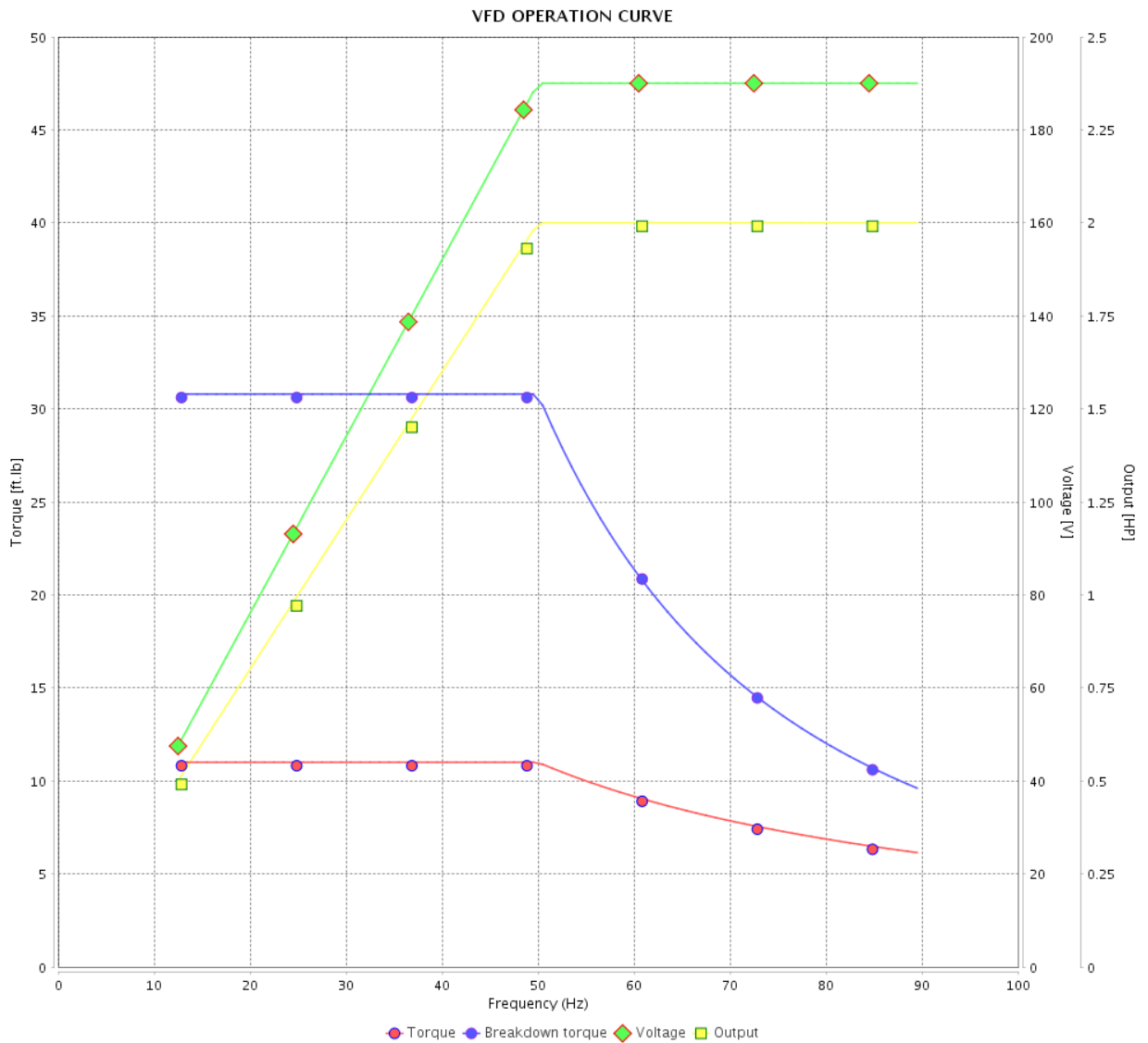


Customer :

Product line : JM Pump NEMA Premium Efficiency Three-Phase

Product code : 13485858

Catalog # : 00212ET3E184JM-S



Performance : 190-220/380 V 50 Hz 6P

Rated current : 7.00-6.05/3.50 A  
 LRC : 6.1  
 Rated torque : 11.0 ft.lb  
 Locked rotor torque : 210 %  
 Breakdown torque : 280 %  
 Rated speed : 955 rpm

Moment of inertia (J) : 0.3424 sq.ft.lb  
 Duty cycle : Cont.(S1)  
 Insulation class : F  
 Service factor : 1.15  
 Temperature rise : 80 K  
 Design : B

Rev.	Changes Summary	Performed	Checked	Date
Performed by		Page		Revision
Checked by		15 / 16		
Date		14/04/2022		

# VFD OPERATION CURVE

Three Phase Induction Motor - Squirrel Cage



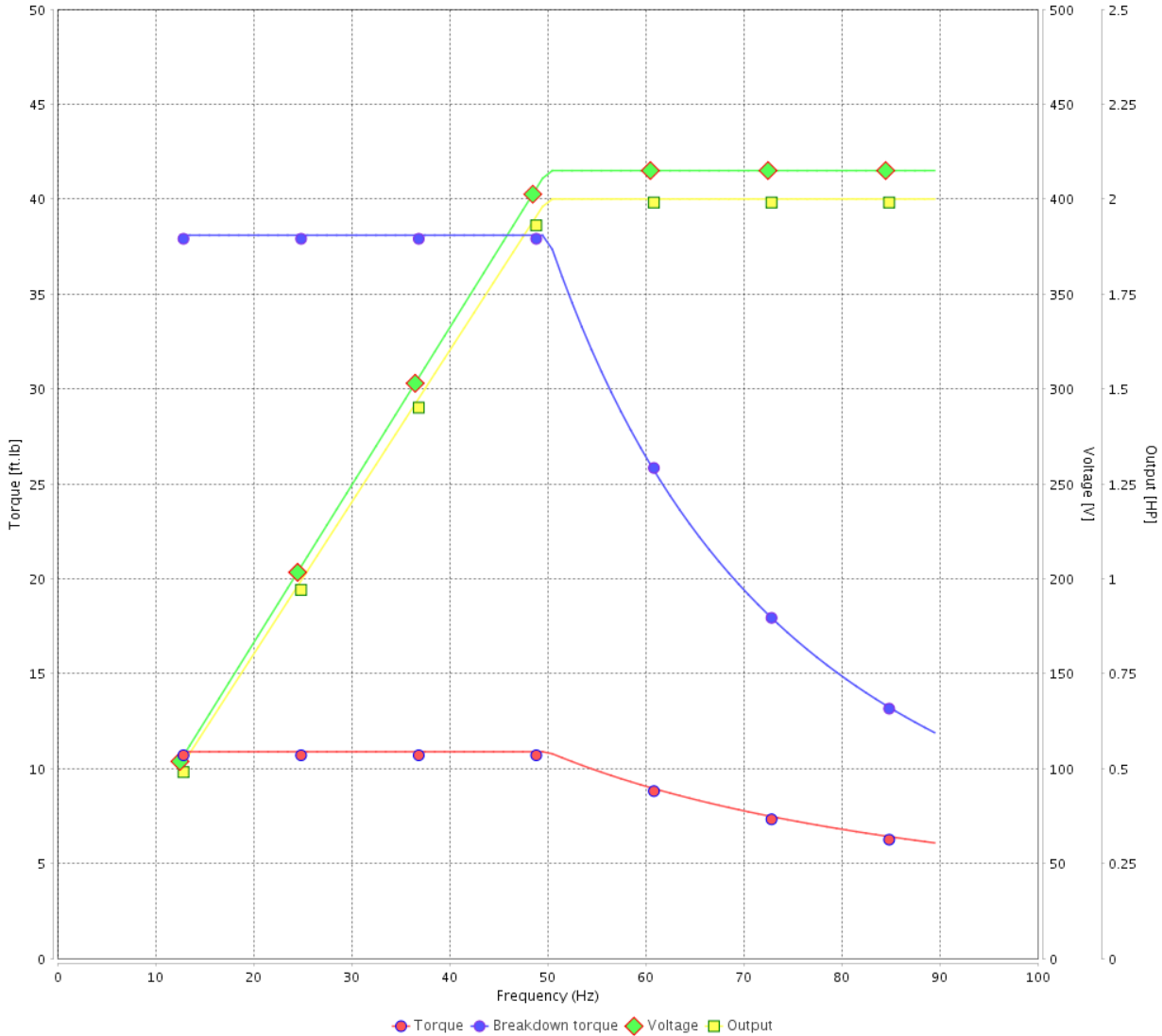
Customer : \_\_\_\_\_

Product line : JM Pump NEMA Premium  
Efficiency Three-Phase

Product code : 13485858

Catalog # : 00212ET3E184JM-S

VFD OPERATION CURVE



Performance : 415 V 50 Hz 6P

Rated current : 3.41 A  
LRC : 7.1  
Rated torque : 10.9 ft.lb  
Locked rotor torque : 280 %  
Breakdown torque : 350 %  
Rated speed : 965 rpm

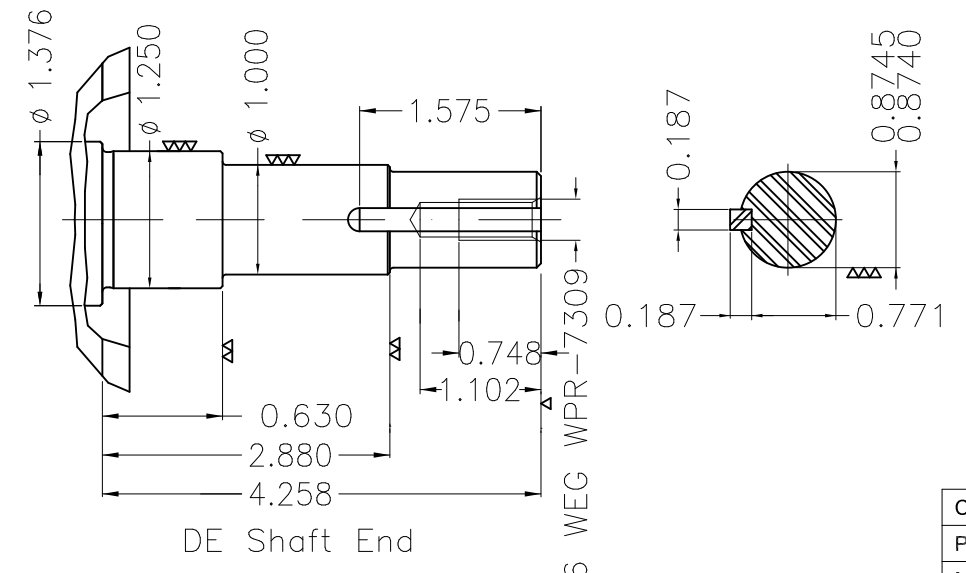
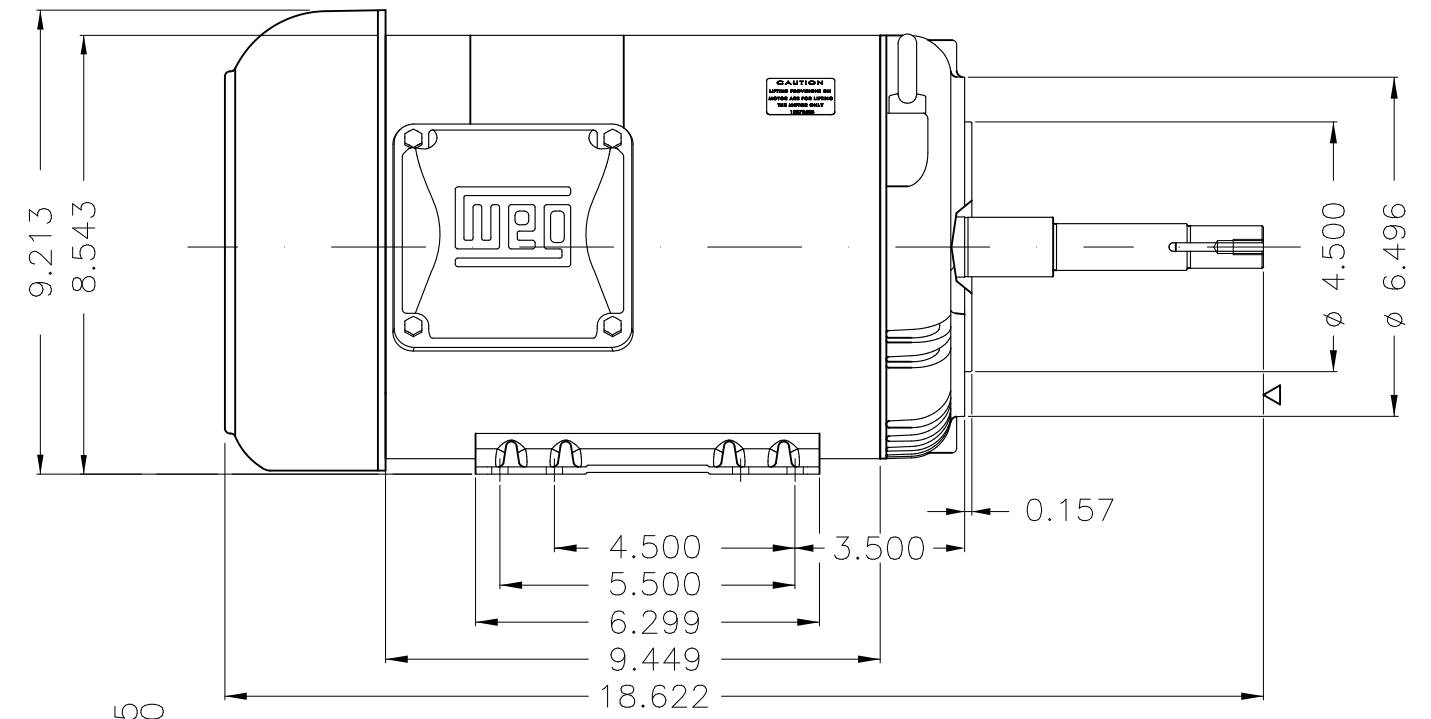
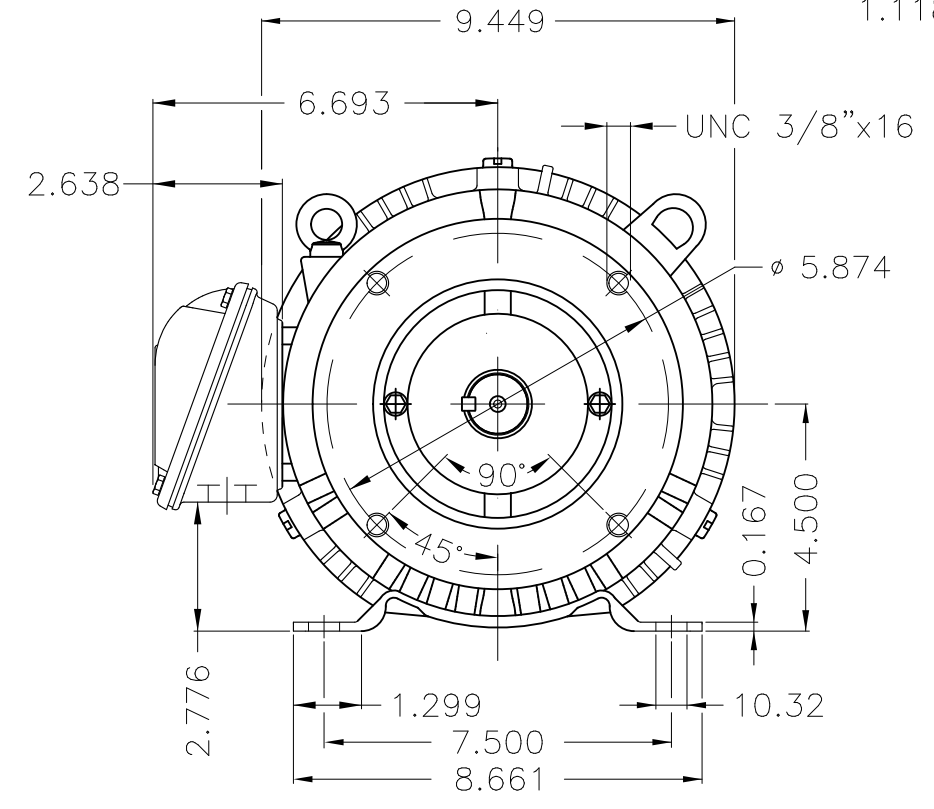
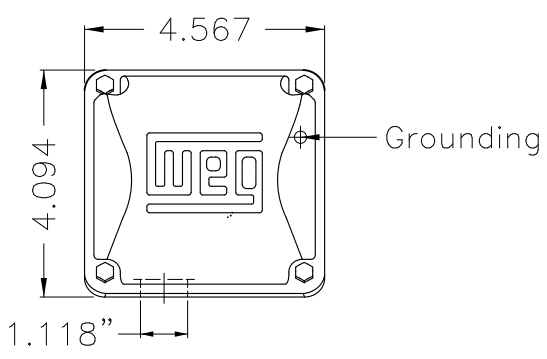
Moment of inertia (J) : 0.3424 sq.ft.lb  
Duty cycle : Cont.(S1)  
Insulation class : F  
Service factor : 1.15  
Temperature rise : 80 K  
Design : B

Rev.	Changes Summary	Performed	Checked	Date
Performed by			Page 16 / 16	Revision
Checked by				
Date	14/04/2022			



1 2 3 4 5 6

A  
B  
C  
D  
E



EUNC 3/8"-16 WEG WPR-7309

DE Shaft End

Color Munsell N 1 matte black									
Painting plan 207N									
Mounting F-1/B34R(D)									
ECM	LOC	SUMMARY OF MODIFICATIONS			EXECUTED	CHECKED	RELEASED	DATE	VER
EXECUTED	PIRWUSER	THREE PH. MOTOR ROLLED STEEL CLOSE COUPLED PUMP JM TYPE PSEF 182							
CHECKED		FRAME 182/4JM IP55 TEFC							
RELEASED									
REL DT.		WMO	Jaragua do Sul	Product Engineering					

2 HP 06 Poles 60 Hz

Dimensions in inches XME A3



**NEMA**  
**Premium**



MADE IN MEXICO

**MAT: 13485858 CC029A**

**W01.TE0IC0X0N**

**MODEL 00212ET3E184JM-S**

**07JAN2022 S/N:**

**For 60Hz: Class I, Zone 2, IIC  
Class I, Div.2, Gr. A,B,C,D - T3  
Div 2 Inverter Duty (SF1.00)**

**CT 2:1/VT 1000:1**

<b>PH 3</b>	<b>Hz 60</b>	<b>HP 2.0</b>
<b>FR 182/4JM</b>		<b>KW 1.5</b>
<b>DUTY CONT.</b>		<b>V 230/460</b>
<b>ALT 1000 m.a.s.l.</b>		<b>A 6.00/3.00</b>
<b>INS CL F AT 80K</b>	<b>IP55</b>	<b>SFA 6.90/3.45</b>
<b>AMB 40°C</b>	<b>DES B</b>	<b>SF 1.15</b>
<b>ENCL TEFC</b>	<b>CODE K</b>	<b>PF 0.71</b>
<b>USABLE @ 208V 6.83A</b>		<b>RPM 1170</b>
<b>SF1.00</b>		<b>NEMA NOM. EFF 88.5%</b>

<b>ALTERNATE RATING: 2.0HP 50Hz 190-220/380-415V SF1.15</b>
<b>7.00-6.43/3.50-3.41A 955RPM EFF 85.7% (IE3) IEC 60034-1</b>

For safe area-inverter duty motor For 60Hz use on VPWM 1000:1 VT, 4:1 CT

<b>DE 6207-ZZ</b>	<b>ODE 6205-ZZ</b>	<b>MOBIL POLYREX EM</b>
-------------------	--------------------	-------------------------



T1-BLU T2-WHT  
 T3-ORG T4-YEL  
 T5-BLK T6-GRY  
 T7-PNK T8-RED  
 T9-BRK RED

INTERCHANGE ANY TWO LINE WIRES TO REVERSE THE ROTATION



**WARNING:** Motor must be grounded in accordance with local and national electrical codes to prevent serious electrical shocks. Disconnect power source before servicing unit.

**AVERTISSEMENT:** Le moteur doit être mis à la terre conformément aux codes électriques locaux et nationaux afin d'éviter tout choc électrique grave. Déconnectez l'alimentation avant l'entretien de la machine.

