

DATA SHEET



Three Phase Induction Motor - Squirrel Cage

Customer :				
Product line	: JP Pump NEMA Premium Efficiency Three-Phase	Product code :	14328038	
		Catalog # :	00212ET3E184JP-S	
Frame	: 182/4JP	Cooling method	: IC411 - TEFC	
Insulation class	: F	Mounting	: F-1	
Duty cycle	: Cont.(S1)	Rotation ¹	: Both (CW and CCW)	
Ambient temperature	: -20°C to +40°C	Starting method	: Direct On Line	
Altitude	: 1000 m.a.s.l.	Approx. weight ²	: 76.1 lb	
Protection degree	: IP55	Moment of inertia (J)	: 0.3424 sq.ft.lb	
Design	: B			
Output [HP]	2	2	2	
Poles	6	6	6	
Frequency [Hz]	60	50	50	
Rated voltage [V]	230/460	190/380	220/415	
Rated current [A]	6.00/3.00	7.00/3.50	6.49/3.44	
L. R. Amperes [A]	45.0/22.5	42.7/21.3	43.5/23.0	
LRC [A]	7.5x(Code K)	6.1x(Code H)	6.7x(Code J)	
No load current [A]	3.74/1.87	3.69/1.85	3.77/2.00	
Rated speed [RPM]	1170	955	960	
Slip [%]	2.50	4.50	4.00	
Rated torque [ft.lb]	8.98	11.0	10.9	
Locked rotor torque [%]	260	210	250	
Breakdown torque [%]	370	280	320	
Service factor	1.15	1.15	1.15	
Temperature rise	80 K	80 K	80 K	
Locked rotor time	79s (cold) 44s (hot)	0s (cold) 0s (hot)	0s (cold) 0s (hot)	
Noise level ²	52.0 dB(A)	50.0 dB(A)	50.0 dB(A)	
Efficiency (%)	25%	82.0	85.5	84.3
	50%	84.0	85.3	84.5
	75%	86.5	86.4	86.3
	100%	88.5	85.7	86.1
Power Factor	25%	0.28	0.33	0.30
	50%	0.50	0.57	0.53
	75%	0.62	0.69	0.66
	100%	0.71	0.76	0.73
Bearing type	: <u>Drive end</u> 6207 ZZ <u>Non drive end</u> 6205 ZZ	Foundation loads		
Sealing	: V'Ring V'Ring	Max. traction	: 185 lb	
Lubrication interval	: - -	Max. compression	: 262 lb	
Lubricant amount	: - -			
Lubricant type	: Mobil Polyrex EM			
Notes				
USABLE @208V 6.63A SF 1.00 SFA 6.63A				
This revision replaces and cancel the previous one, which must be eliminated. (1) Looking the motor from the shaft end. (2) Measured at 1m and with tolerance of +3dB(A). (3) Approximate weight subject to changes after manufacturing process. (4) At 100% of full load.		These are average values based on tests with sinusoidal power supply, subject to the tolerances stipulated in NEMA MG-1.		
Rev.	Changes Summary	Performed	Checked	Date
Performed by				
Checked by			Page	Revision
Date	14/04/2022		1 / 16	

TORQUE AND CURRENT VS SPEED CURVE

Three Phase Induction Motor - Squirrel Cage



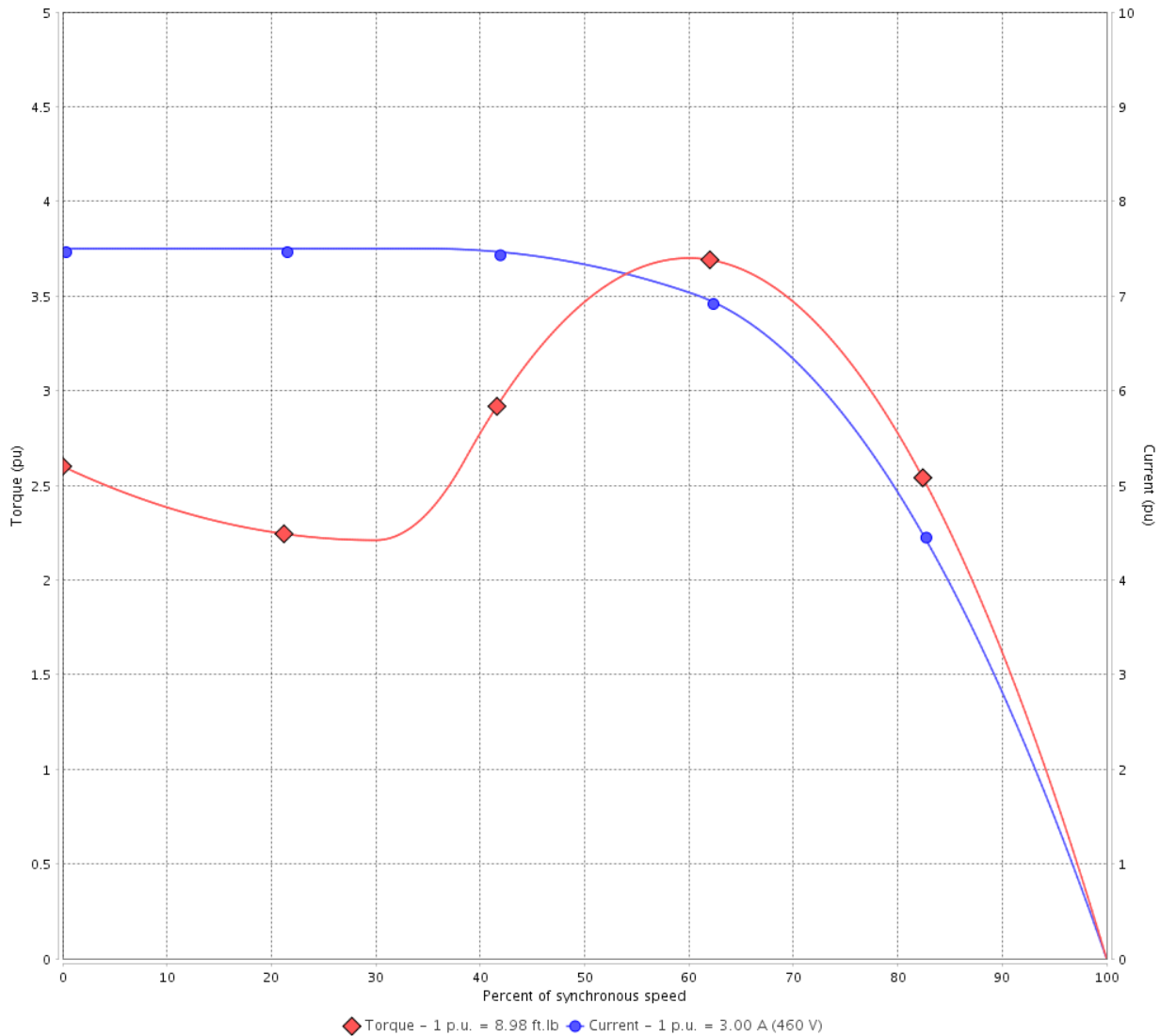
Customer :

Product line : JP Pump NEMA Premium
Efficiency Three-Phase

Product code : 14328038

Catalog # : 00212ET3E184JP-S

TORQUE AND CURRENT VS SPEED CURVE



Performance : 230/460 V 60 Hz 6P

Rated current	: 6.00/3.00 A	Moment of inertia (J)	: 0.3424 sq.ft.lb
LRC	: 7.5	Duty cycle	: Cont.(S1)
Rated torque	: 8.98 ft.lb	Insulation class	: F
Locked rotor torque	: 260 %	Service factor	: 1.15
Breakdown torque	: 370 %	Temperature rise	: 80 K
Rated speed	: 1170 rpm	Design	: B

Locked rotor time : 79s (cold) 44s (hot)

Rev.	Changes Summary	Performed	Checked	Date
Performed by			Page 2 / 16	Revision
Checked by				
Date	14/04/2022			

TORQUE AND CURRENT VS SPEED CURVE



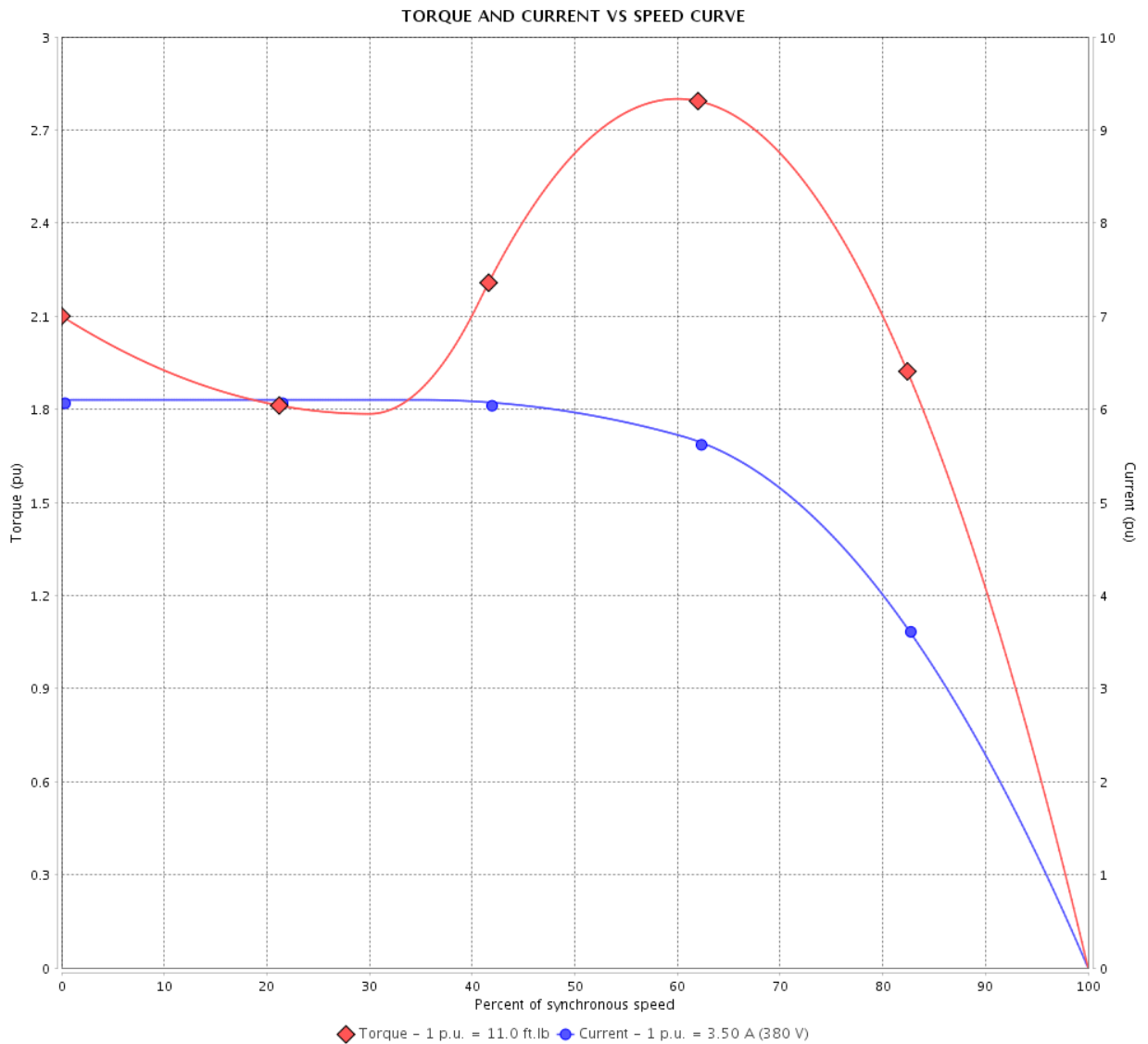
Three Phase Induction Motor - Squirrel Cage

Customer :

Product line : JP Pump NEMA Premium Efficiency Three-Phase

Product code : 14328038

Catalog # : 00212ET3E184JP-S



Performance : 190/380 V 50 Hz 6P

Rated current : 7.00/3.50 A
 LRC : 6.1
 Rated torque : 11.0 ft.lb
 Locked rotor torque : 210 %
 Breakdown torque : 280 %
 Rated speed : 955 rpm

Moment of inertia (J) : 0.3424 sq.ft.lb
 Duty cycle : Cont.(S1)
 Insulation class : F
 Service factor : 1.15
 Temperature rise : 80 K
 Design : B

Locked rotor time : 0s (cold) 0s (hot)

Rev.	Changes Summary	Performed	Checked	Date
Performed by			Page 3 / 16	Revision
Checked by				
Date	14/04/2022			

TORQUE AND CURRENT VS SPEED CURVE

Three Phase Induction Motor - Squirrel Cage



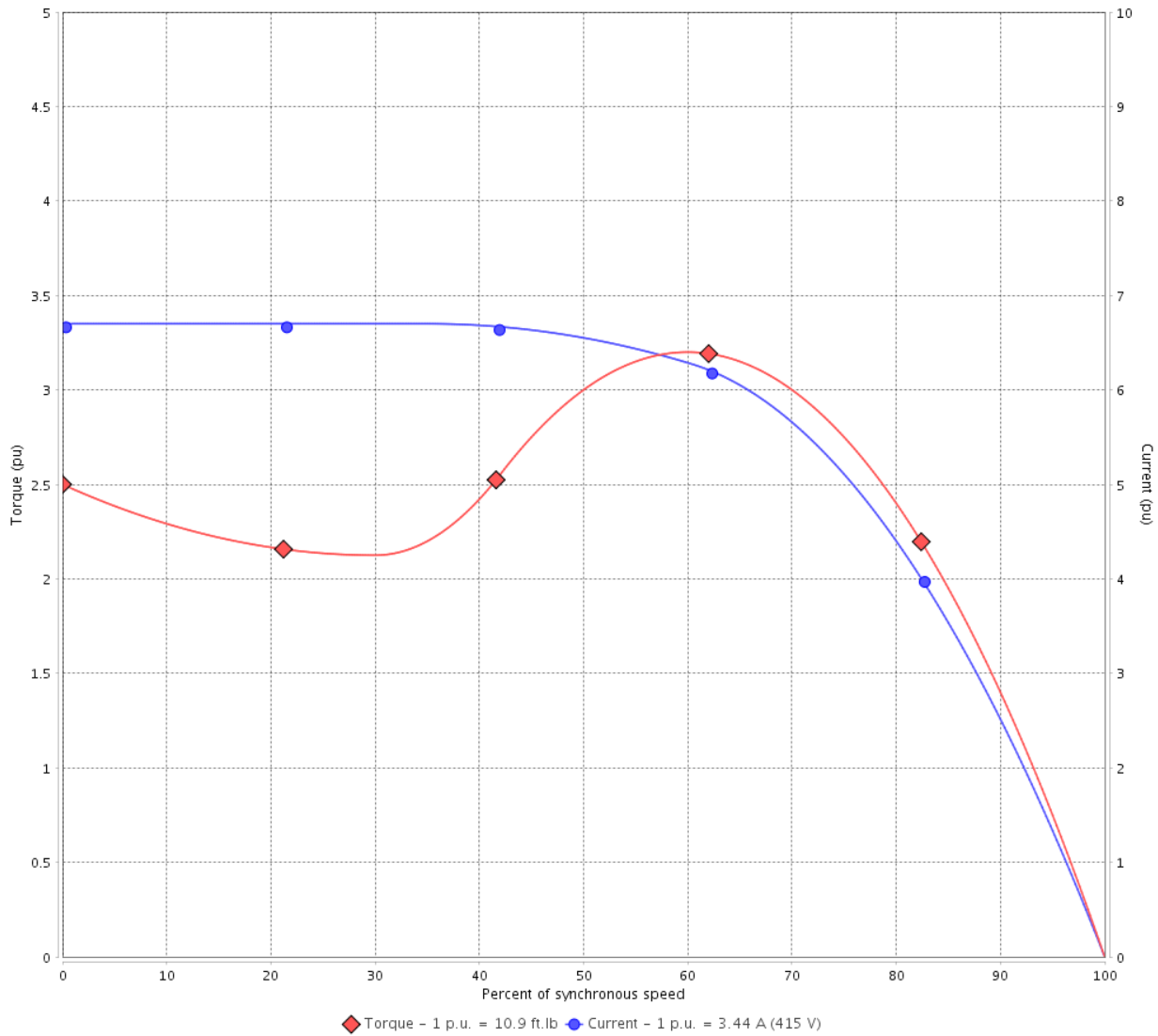
Customer :

Product line : JP Pump NEMA Premium Efficiency Three-Phase

Product code : 14328038

Catalog # : 00212ET3E184JP-S

TORQUE AND CURRENT VS SPEED CURVE



Performance : 220/415 V 50 Hz 6P

Rated current	: 6.49/3.44 A	Moment of inertia (J)	: 0.3424 sq.ft.lb
LRC	: 6.7	Duty cycle	: Cont.(S1)
Rated torque	: 10.9 ft.lb	Insulation class	: F
Locked rotor torque	: 250 %	Service factor	: 1.15
Breakdown torque	: 320 %	Temperature rise	: 80 K
Rated speed	: 960 rpm	Design	: B

Locked rotor time : 0s (cold) 0s (hot)

Rev.	Changes Summary	Performed	Checked	Date
Performed by			Page 4 / 16	Revision
Checked by				
Date	14/04/2022			

LOAD PERFORMANCE CURVE

Three Phase Induction Motor - Squirrel Cage

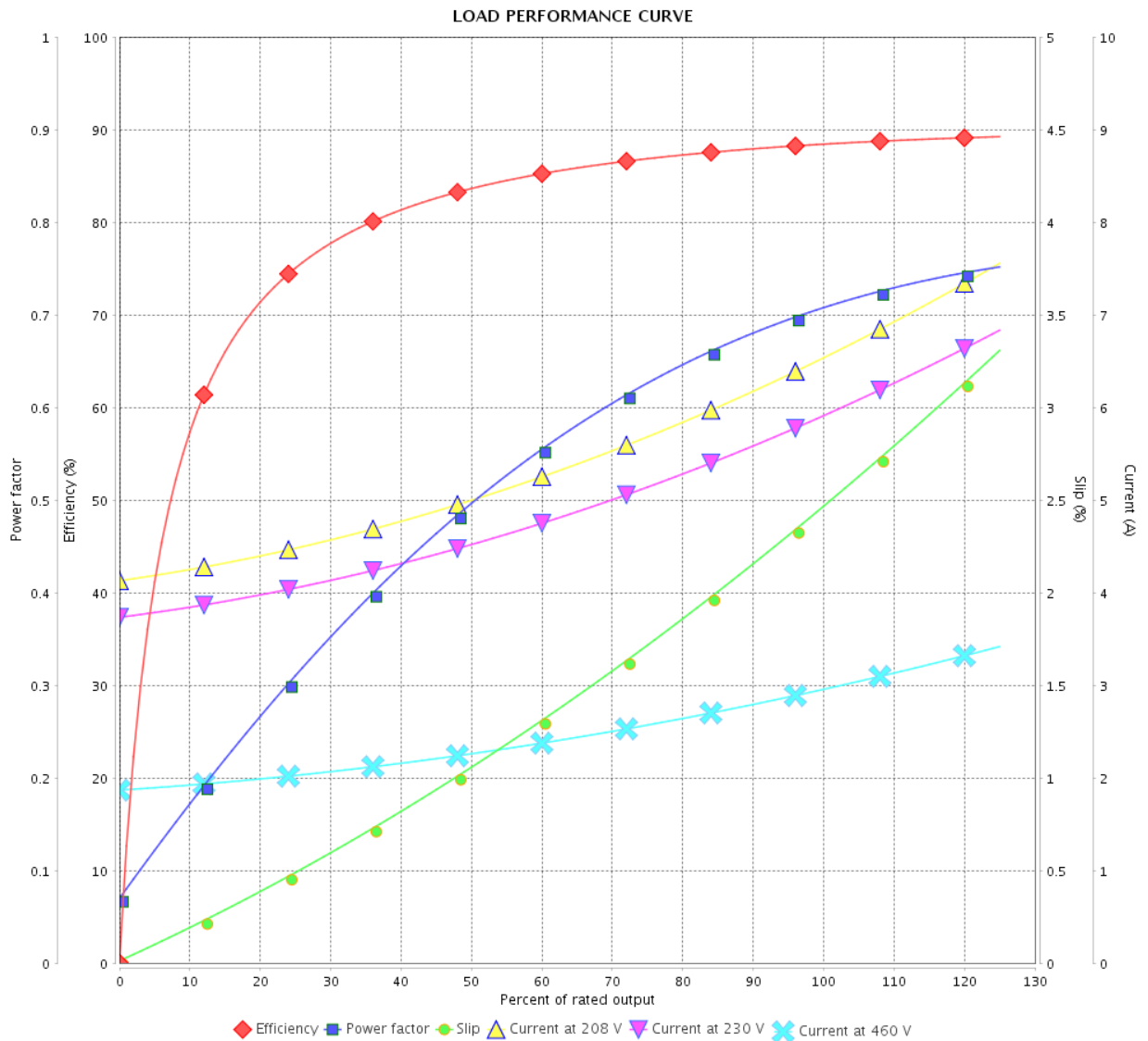


Customer :

Product line : JP Pump NEMA Premium Efficiency Three-Phase

Product code : 14328038

Catalog # : 00212ET3E184JP-S



Performance : 230/460 V 60 Hz 6P

Rated current : 6.00/3.00 A
 LRC : 7.5
 Rated torque : 8.98 ft.lb
 Locked rotor torque : 260 %
 Breakdown torque : 370 %
 Rated speed : 1170 rpm

Moment of inertia (J) : 0.3424 sq.ft.lb
 Duty cycle : Cont.(S1)
 Insulation class : F
 Service factor : 1.15
 Temperature rise : 80 K
 Design : B

Rev.	Changes Summary	Performed	Checked	Date
Performed by			Page	Revision
Checked by				
Date				

LOAD PERFORMANCE CURVE

Three Phase Induction Motor - Squirrel Cage



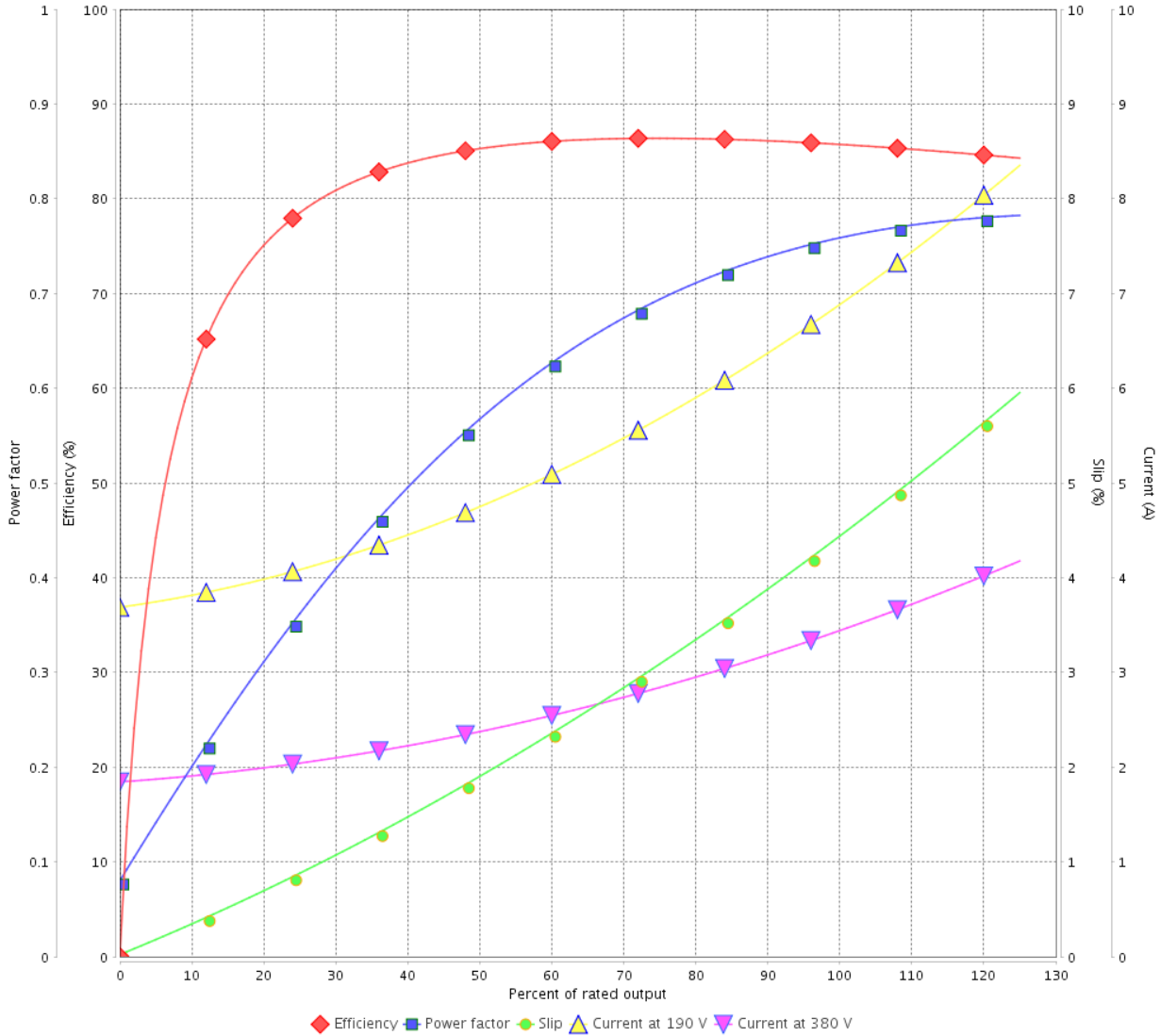
Customer :

Product line : JP Pump NEMA Premium
Efficiency Three-Phase

Product code : 14328038

Catalog # : 00212ET3E184JP-S

LOAD PERFORMANCE CURVE



Performance : 190/380 V 50 Hz 6P

Rated current : 7.00/3.50 A
LRC : 6.1
Rated torque : 11.0 ft.lb
Locked rotor torque : 210 %
Breakdown torque : 280 %
Rated speed : 955 rpm

Moment of inertia (J) : 0.3424 sq.ft.lb
Duty cycle : Cont.(S1)
Insulation class : F
Service factor : 1.15
Temperature rise : 80 K
Design : B

Rev.	Changes Summary	Performed	Checked	Date
Performed by			Page 6 / 16	Revision
Checked by				
Date	14/04/2022			

LOAD PERFORMANCE CURVE

Three Phase Induction Motor - Squirrel Cage

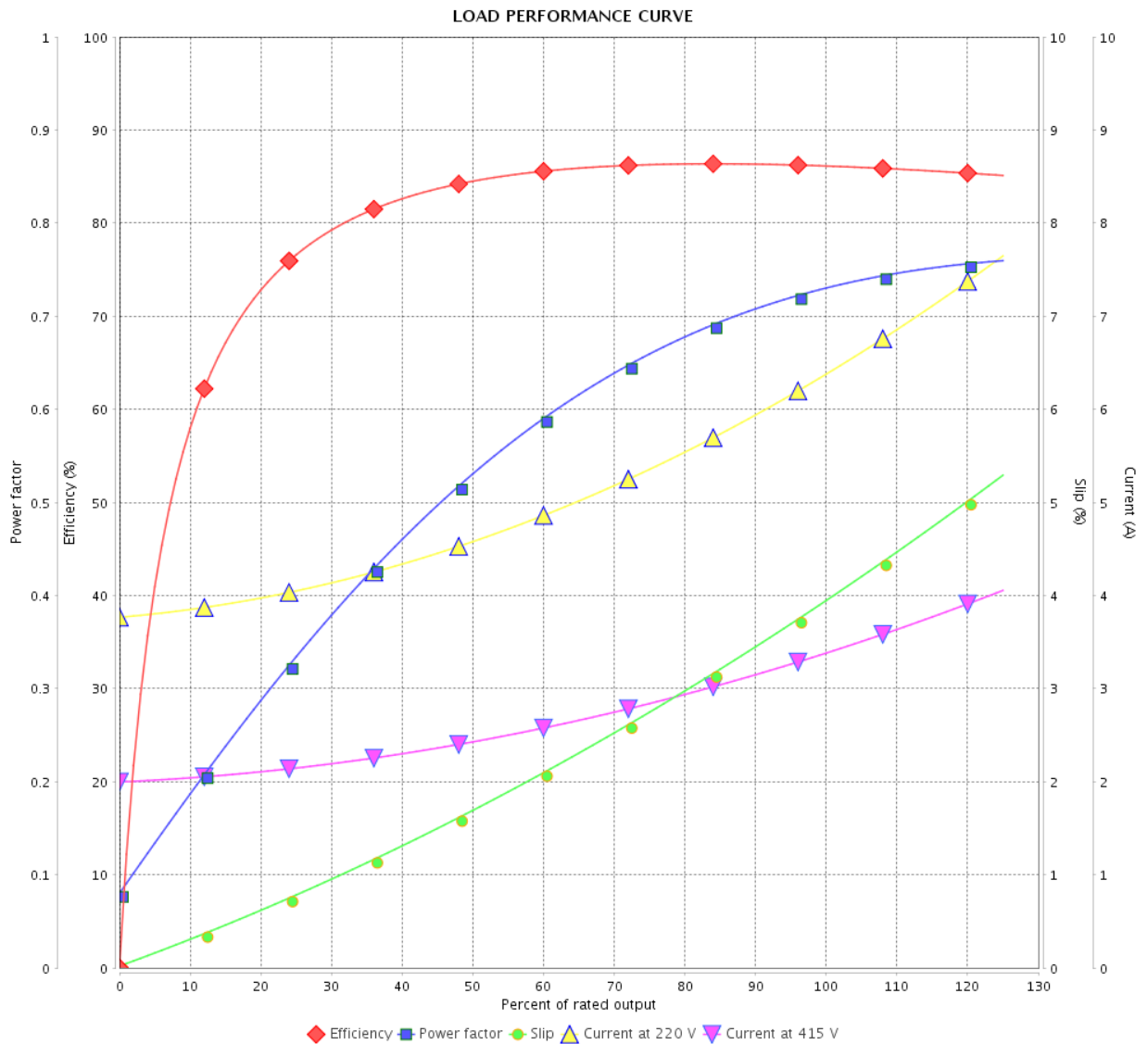


Customer :

Product line : JP Pump NEMA Premium Efficiency Three-Phase

Product code : 14328038

Catalog # : 00212ET3E184JP-S



Performance : 220/415 V 50 Hz 6P

Rated current : 6.49/3.44 A
 LRC : 6.7
 Rated torque : 10.9 ft.lb
 Locked rotor torque : 250 %
 Breakdown torque : 320 %
 Rated speed : 960 rpm

Moment of inertia (J) : 0.3424 sq.ft.lb
 Duty cycle : Cont.(S1)
 Insulation class : F
 Service factor : 1.15
 Temperature rise : 80 K
 Design : B

Rev.	Changes Summary	Performed	Checked	Date
Performed by			Page	Revision
Checked by			7 / 16	
Date	14/04/2022			

THERMAL LIMIT CURVE



Three Phase Induction Motor - Squirrel Cage

Customer :

Product line : JP Pump NEMA Premium
Efficiency Three-Phase

Product code : 14328038

Catalog # : 00212ET3E184JP-S

Performance : 230/460 V 60 Hz 6P

Rated current : 6.00/3.00 A
LRC : 7.5
Rated torque : 8.98 ft.lb
Locked rotor torque : 260 %
Breakdown torque : 370 %
Rated speed : 1170 rpm

Moment of inertia (J) : 0.3424 sq.ft.lb
Duty cycle : Cont.(S1)
Insulation class : F
Service factor : 1.15
Temperature rise : 80 K
Design : B

Heating constant

Cooling constant

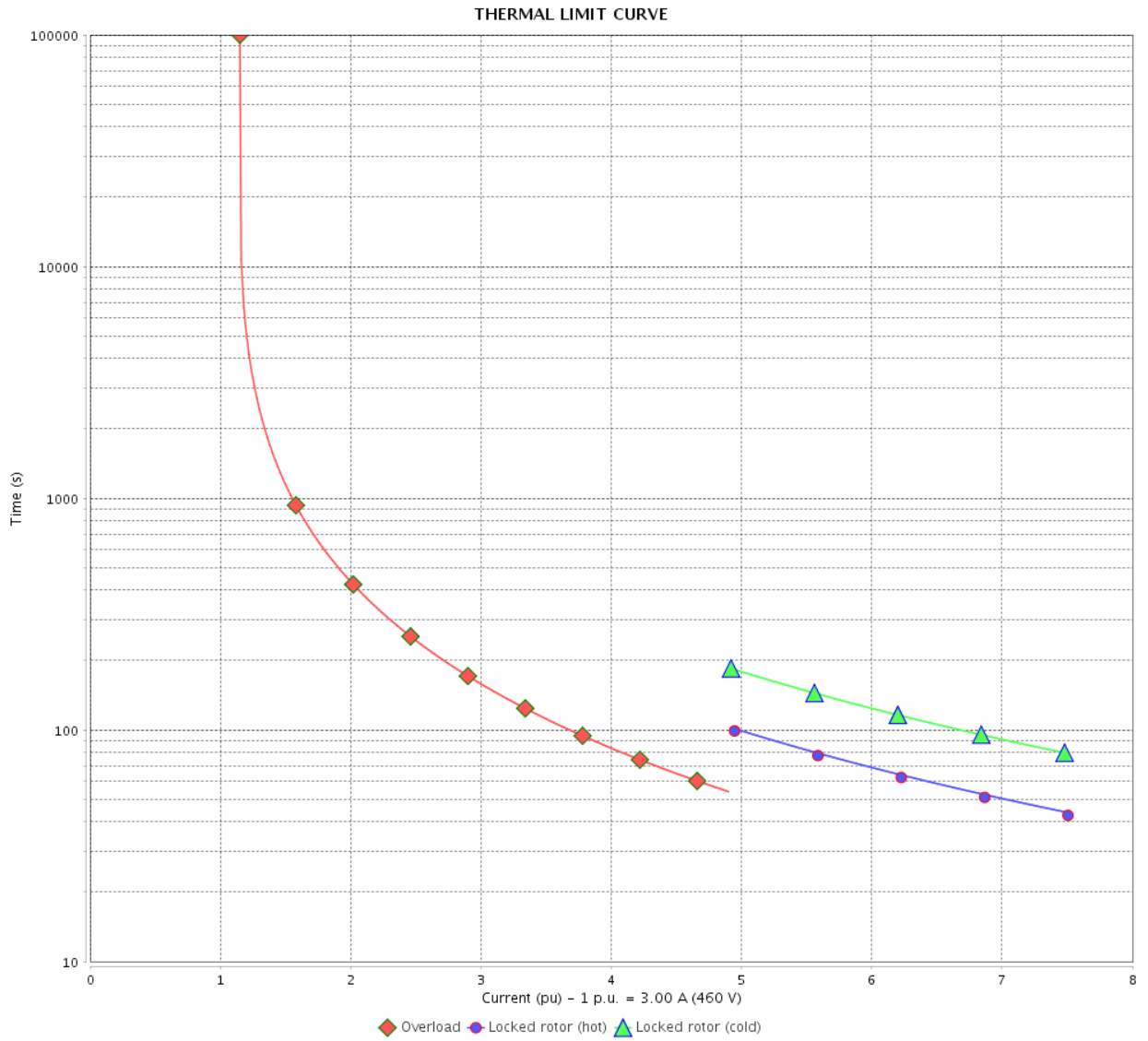
Rev.	Changes Summary	Performed	Checked	Date
Performed by				
Checked by			Page	Revision
Date	14/04/2022		8 / 16	

THERMAL LIMIT CURVE

Three Phase Induction Motor - Squirrel Cage



Customer : _____



Rev.	Changes Summary	Performed	Checked	Date
Performed by		Page Revision 9 / 16		
Checked by				
Date				

THERMAL LIMIT CURVE



Three Phase Induction Motor - Squirrel Cage

Customer :

Product line : JP Pump NEMA Premium
Efficiency Three-Phase

Product code : 14328038

Catalog # : 00212ET3E184JP-S

Performance : 190/380 V 50 Hz 6P

Rated current : 7.00/3.50 A
LRC : 6.1
Rated torque : 11.0 ft.lb
Locked rotor torque : 210 %
Breakdown torque : 280 %
Rated speed : 955 rpm

Moment of inertia (J) : 0.3424 sq.ft.lb
Duty cycle : Cont.(S1)
Insulation class : F
Service factor : 1.15
Temperature rise : 80 K
Design : B

Heating constant

Cooling constant

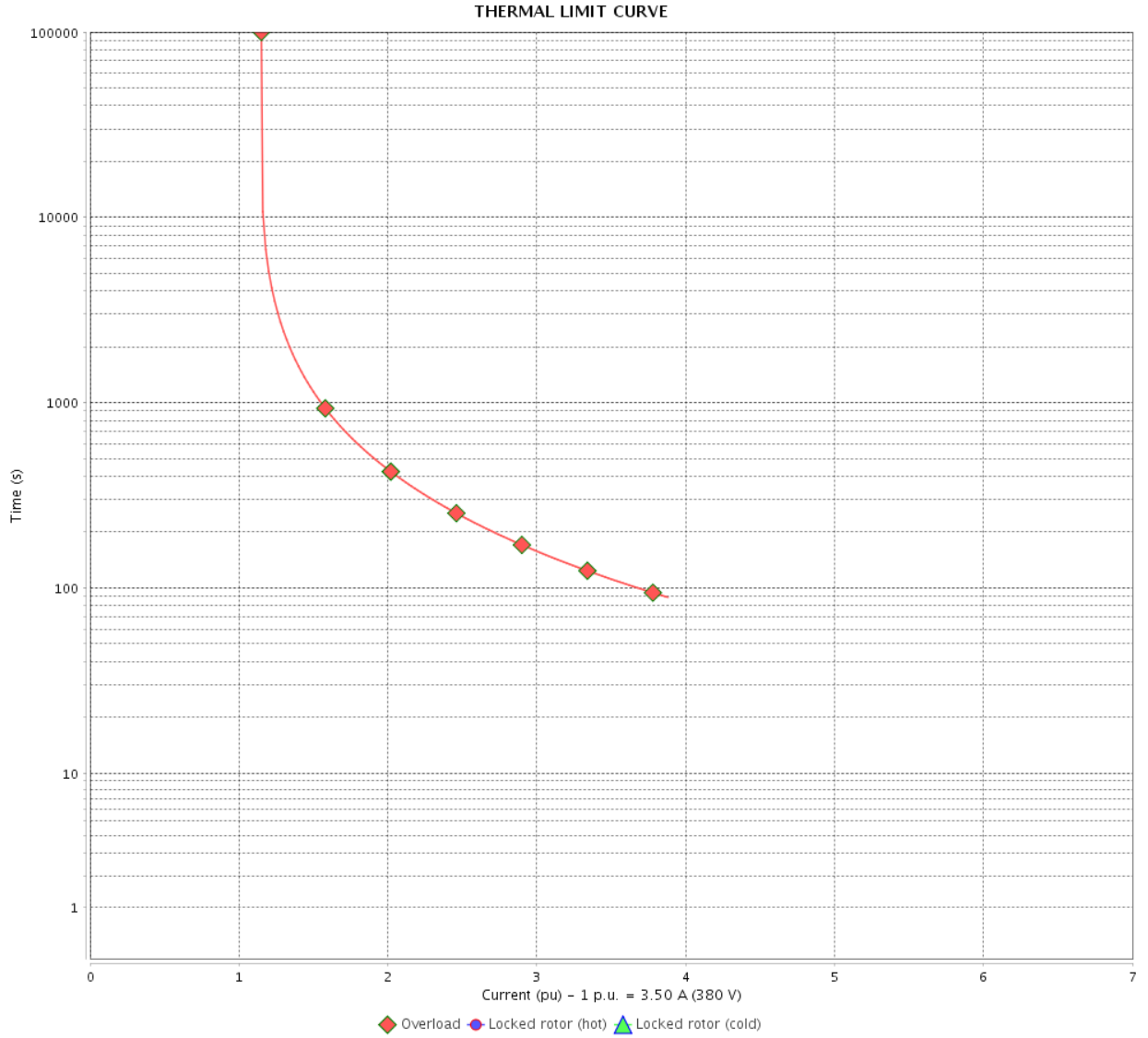
Rev.	Changes Summary	Performed	Checked	Date
Performed by				
Checked by			Page	Revision
Date	14/04/2022		10 / 16	

THERMAL LIMIT CURVE

Three Phase Induction Motor - Squirrel Cage



Customer : _____



Rev.	Changes Summary	Performed	Checked	Date
Performed by		Page		Revision
Checked by		11 / 16		
Date		14/04/2022		

THERMAL LIMIT CURVE



Three Phase Induction Motor - Squirrel Cage

Customer :

Product line : JP Pump NEMA Premium
Efficiency Three-Phase

Product code : 14328038

Catalog # : 00212ET3E184JP-S

Performance : 220/415 V 50 Hz 6P

Rated current : 6.49/3.44 A
LRC : 6.7
Rated torque : 10.9 ft.lb
Locked rotor torque : 250 %
Breakdown torque : 320 %
Rated speed : 960 rpm

Moment of inertia (J) : 0.3424 sq.ft.lb
Duty cycle : Cont.(S1)
Insulation class : F
Service factor : 1.15
Temperature rise : 80 K
Design : B

Heating constant

Cooling constant

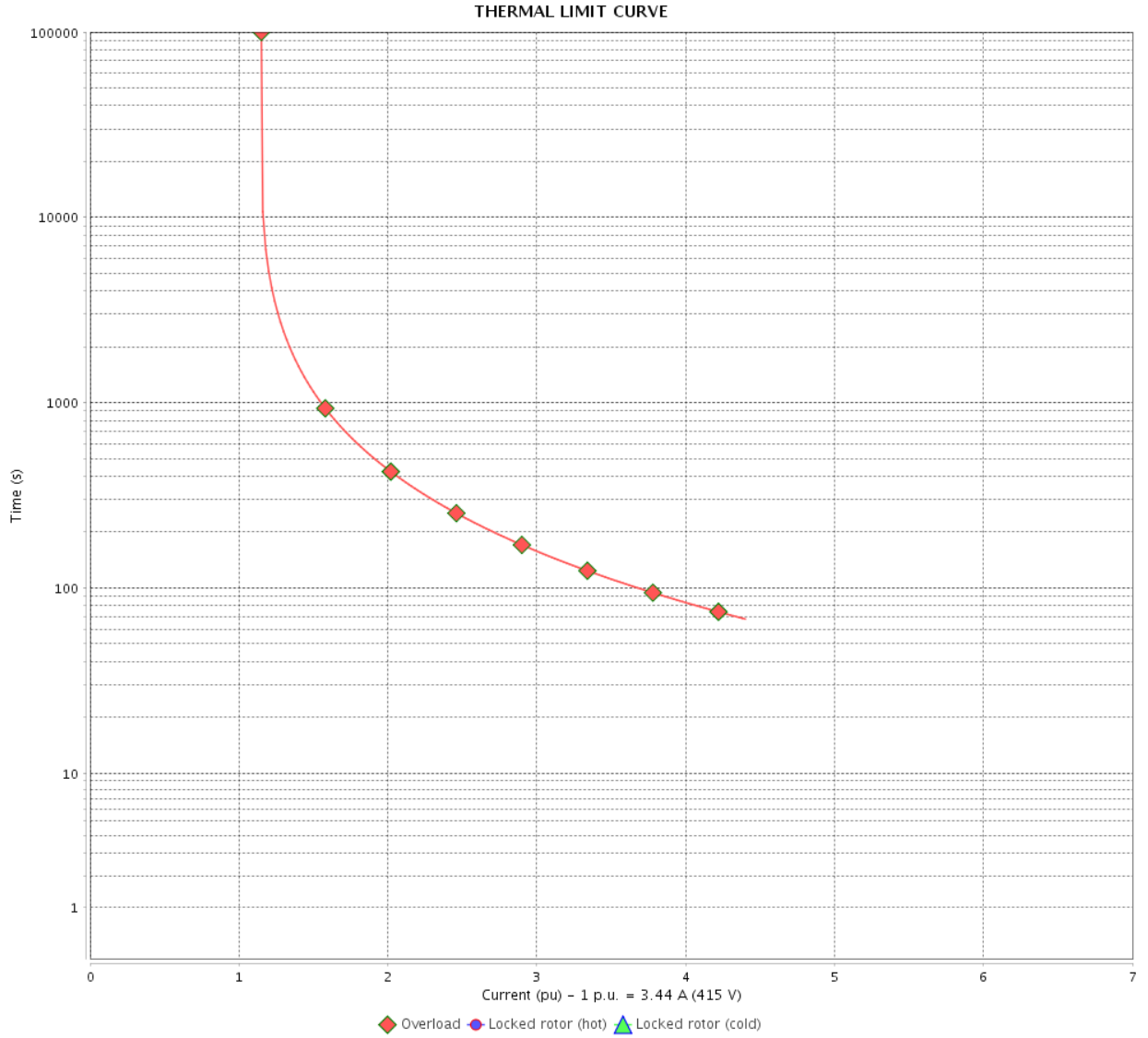
Rev.	Changes Summary	Performed	Checked	Date
Performed by				
Checked by			Page	Revision
Date	14/04/2022		12 / 16	

THERMAL LIMIT CURVE

Three Phase Induction Motor - Squirrel Cage



Customer : _____



Rev.	Changes Summary	Performed	Checked	Date
Performed by		Page		Revision
Checked by		13 / 16		
Date		14/04/2022		

VFD OPERATION CURVE

Three Phase Induction Motor - Squirrel Cage

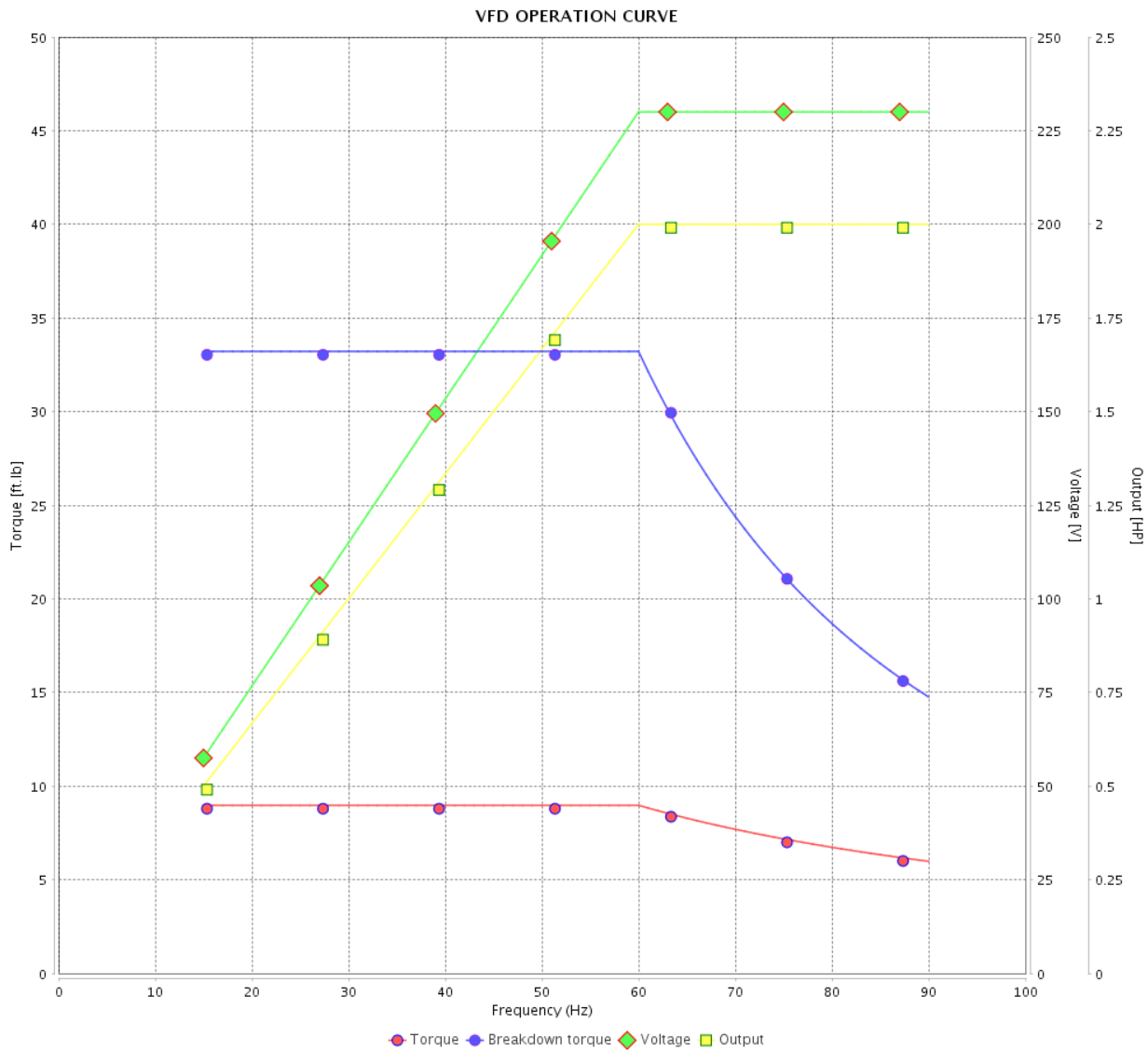


Customer :

Product line : JP Pump NEMA Premium Efficiency Three-Phase

Product code : 14328038

Catalog # : 00212ET3E184JP-S



Performance : 230/460 V 60 Hz 6P

Rated current : 6.00/3.00 A
 LRC : 7.5
 Rated torque : 8.98 ft.lb
 Locked rotor torque : 260 %
 Breakdown torque : 370 %
 Rated speed : 1170 rpm

Moment of inertia (J) : 0.3424 sq.ft.lb
 Duty cycle : Cont.(S1)
 Insulation class : F
 Service factor : 1.15
 Temperature rise : 80 K
 Design : B

Rev.	Changes Summary	Performed	Checked	Date
Performed by			Page	Revision
Checked by				
Date				

VFD OPERATION CURVE

Three Phase Induction Motor - Squirrel Cage

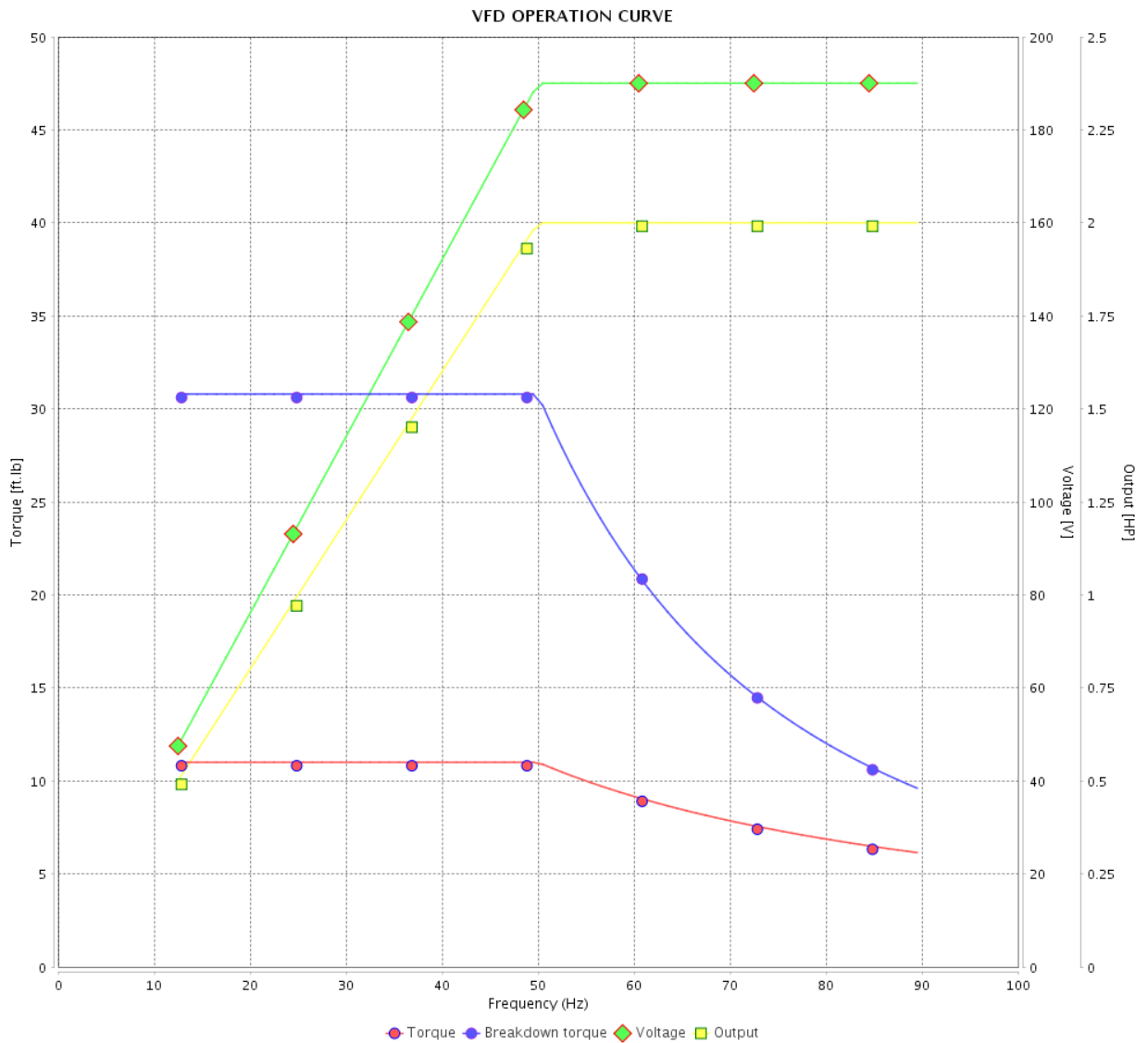


Customer : _____

Product line : JP Pump NEMA Premium Efficiency Three-Phase

Product code : 14328038

Catalog # : 00212ET3E184JP-S



Performance : 190/380 V 50 Hz 6P

Rated current : 7.00/3.50 A
 LRC : 6.1
 Rated torque : 11.0 ft.lb
 Locked rotor torque : 210 %
 Breakdown torque : 280 %
 Rated speed : 955 rpm

Moment of inertia (J) : 0.3424 sq.ft.lb
 Duty cycle : Cont.(S1)
 Insulation class : F
 Service factor : 1.15
 Temperature rise : 80 K
 Design : B

Rev.	Changes Summary	Performed	Checked	Date
Performed by		Page		Revision
Checked by		15 / 16		
Date	14/04/2022			

VFD OPERATION CURVE

Three Phase Induction Motor - Squirrel Cage

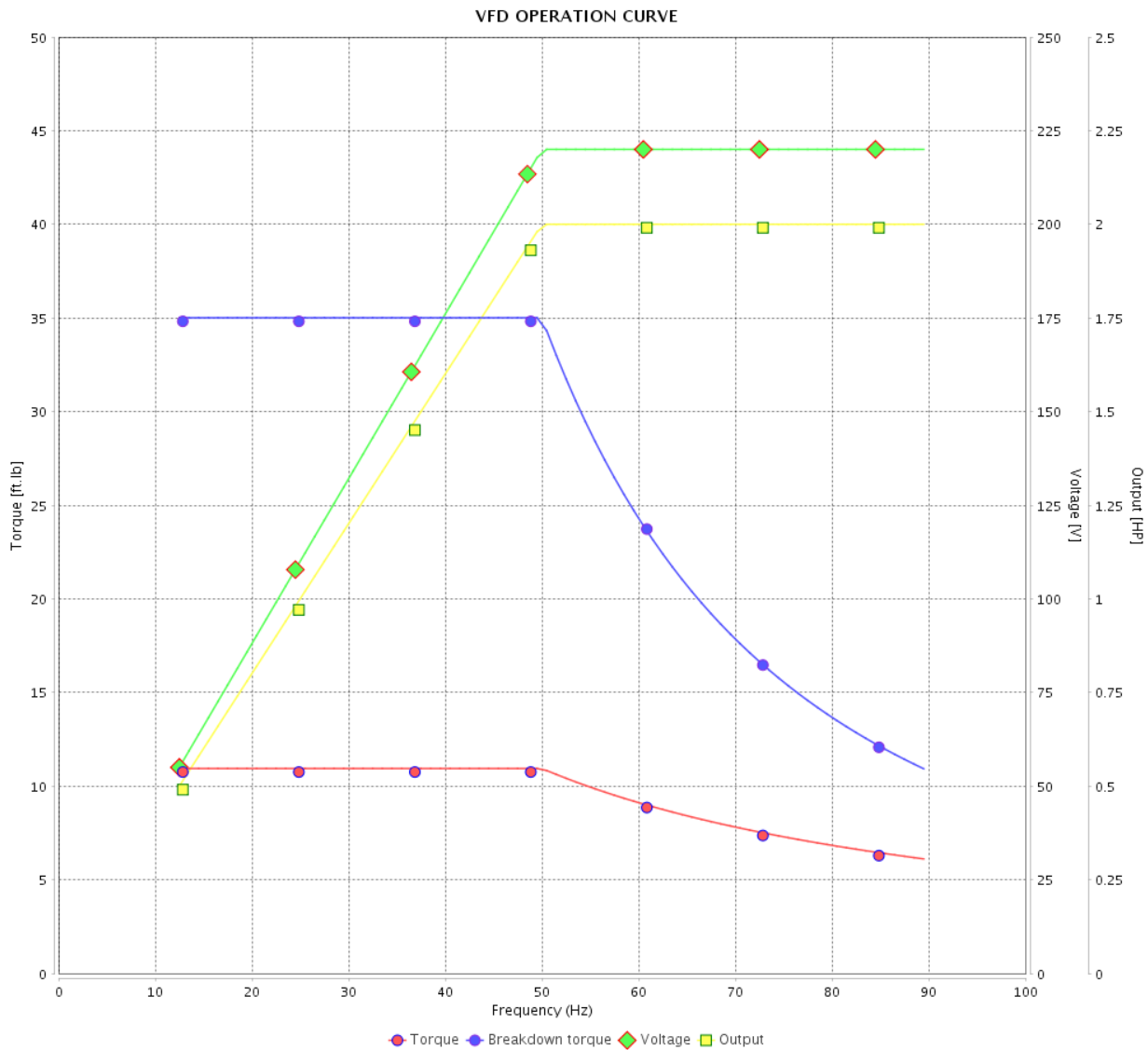


Customer : _____

Product line : JP Pump NEMA Premium
Efficiency Three-Phase

Product code : 14328038

Catalog # : 00212ET3E184JP-S



Performance : 220/415 V 50 Hz 6P

Rated current : 6.49/3.44 A
 LRC : 6.7
 Rated torque : 10.9 ft.lb
 Locked rotor torque : 250 %
 Breakdown torque : 320 %
 Rated speed : 960 rpm

Moment of inertia (J) : 0.3424 sq.ft.lb
 Duty cycle : Cont.(S1)
 Insulation class : F
 Service factor : 1.15
 Temperature rise : 80 K
 Design : B

Rev.	Changes Summary	Performed	Checked	Date
Performed by			Page 16 / 16	Revision
Checked by				
Date	14/04/2022			

1 2 3 4 5 6

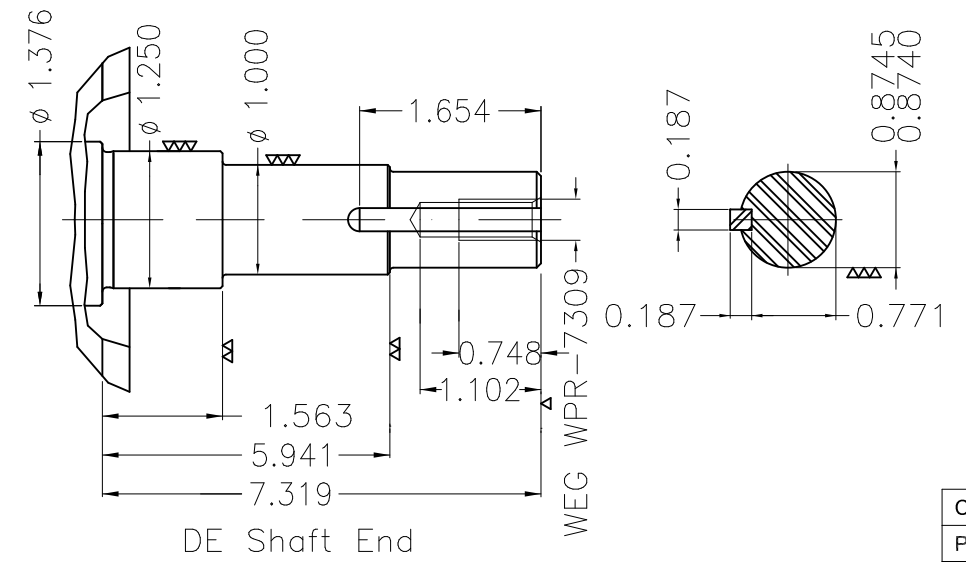
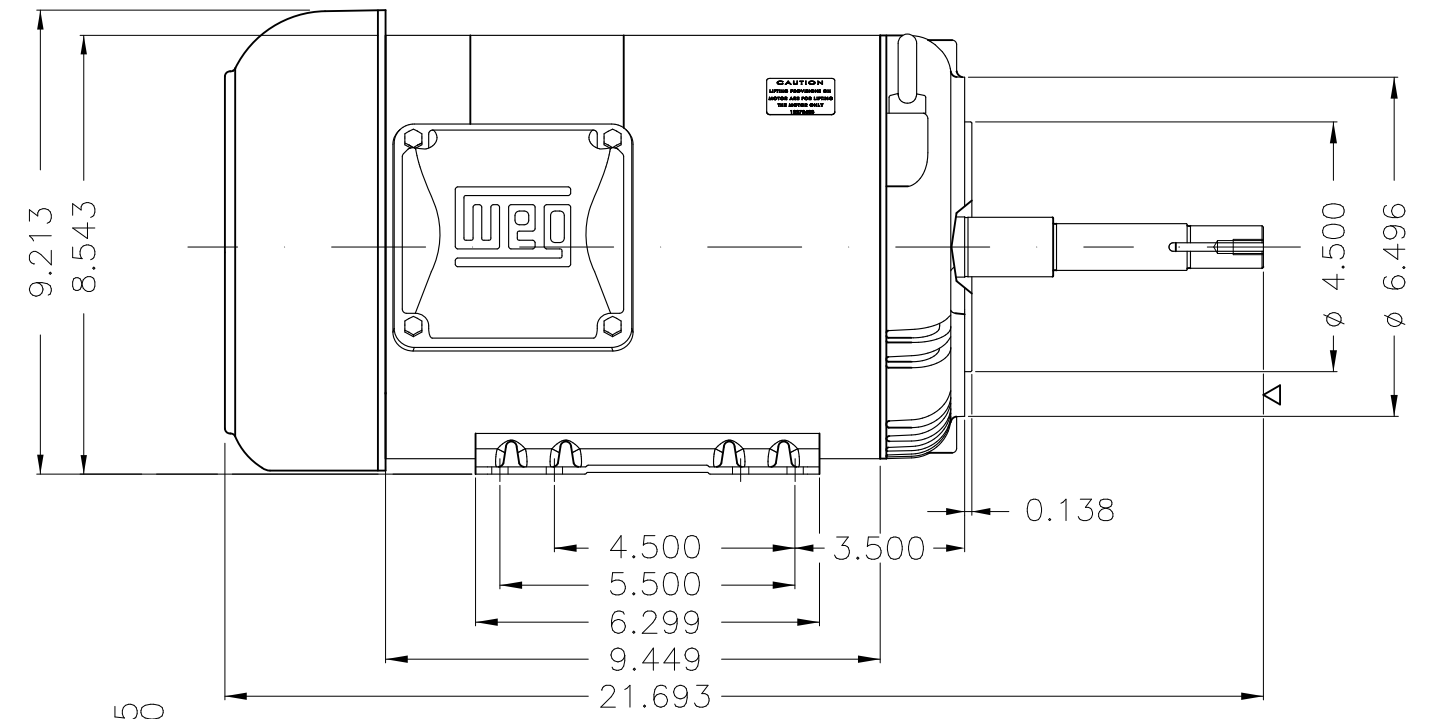
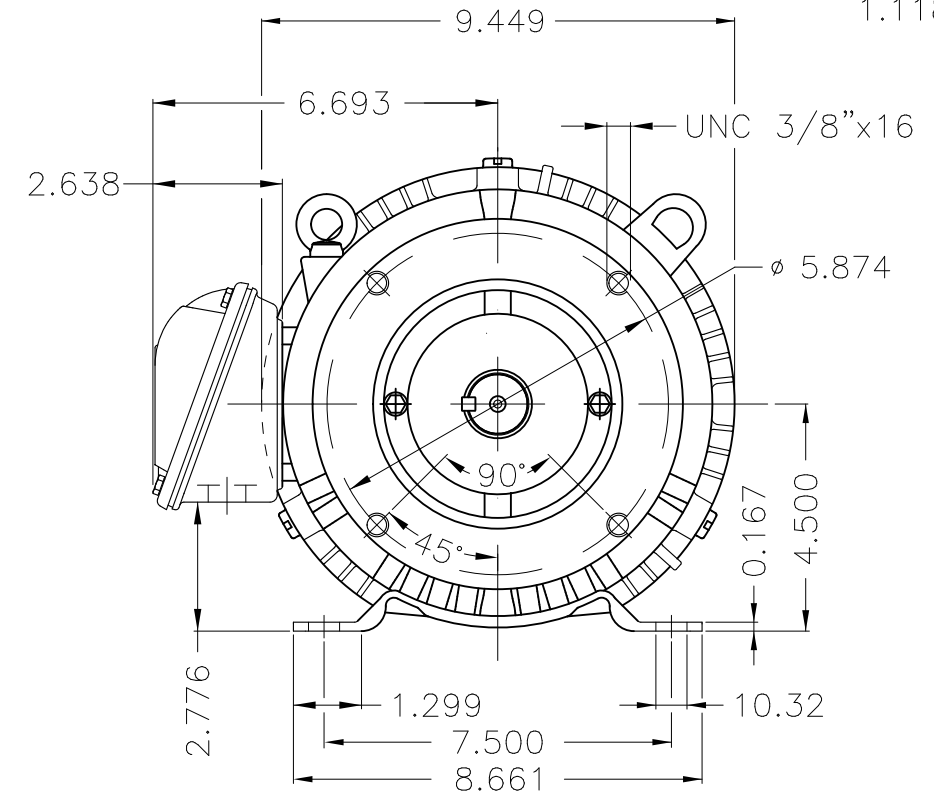
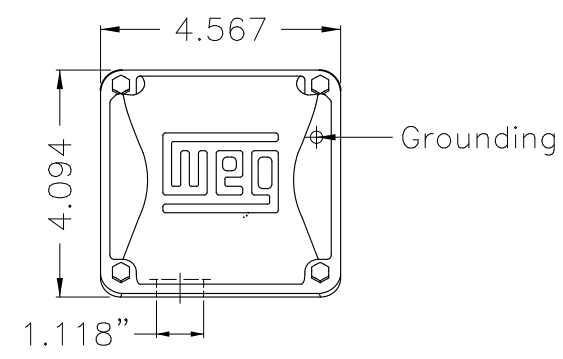
A

B

C

D

E



EUNC 3/8"-16 WEG WPR-7309

DE Shaft End

Color Munsell N 1 matte black									
Painting plan 207N									
Mounting F-1/B34R(D)									
ECM	LOC	SUMMARY OF MODIFICATIONS			EXECUTED	CHECKED	RELEASED	DATE	VER
EXECUTED	PIRWUSER	THREE PH. MOTOR ROLLED STEEL CLOSE COUPLED PUMP JP 3/4 DE PRELIM							
CHECKED		FRAME 182/4JP IP55 TEFC							
RELEASED									
REL DT.		WMO	Jaragua do Sul	Product Engineering					

2 HP 06 Poles 60 Hz

