

# DATA SHEET

## Three Phase Induction Motor - Squirrel Cage



Customer :				
Product line	: JM Pump NEMA Premium Efficiency Three-Phase	Product code :	13482591	
		Catalog # :	002120T3E184JMV-S	
Frame	: 182/4JM	Cooling method	: IC01 - ODP	
Insulation class	: F	Mounting	: W-6	
Duty cycle	: Cont.(S1)	Rotation <sup>1</sup>	: Both (CW and CCW)	
Ambient temperature	: -20°C to +40°C	Starting method	: Direct On Line	
Altitude	: 1000 m.a.s.l.	Approx. weight <sup>2</sup>	: 73.2 lb	
Design	: B	Moment of inertia (J)	: 0.2800 sq.ft.lb	
Output [HP]	2	2	2	
Poles	6	6	6	
Frequency [Hz]	60	50	50	
Rated voltage [V]	230/460	190/380	220/415	
Rated current [A]	5.90/2.95	6.96/3.48	6.41/3.40	
L. R. Amperes [A]	38.9/19.5	35.5/17.7	36.6/19.4	
LRC [A]	6.6x(Code J)	5.1x(Code G)	5.7x(Code H)	
No load current [A]	3.42/1.71	3.37/1.69	3.50/1.86	
Rated speed [RPM]	1165	945	950	
Slip [%]	2.92	5.50	5.00	
Rated torque [ft.lb]	9.02	11.1	11.1	
Locked rotor torque [%]	200	160	190	
Breakdown torque [%]	300	220	250	
Service factor	1.15	1.00	1.00	
Temperature rise	80 K	105 K	80 K	
Locked rotor time	59s (cold) 33s (hot)	0s (cold) 0s (hot)	0s (cold) 0s (hot)	
Noise level <sup>2</sup>	52.0 dB(A)	50.0 dB(A)	50.0 dB(A)	
Efficiency (%)	25%	84.4	84.6	
	50%	85.5	84.0	
	75%	86.5	85.0	
	100%	87.5	83.8	
Power Factor	25%	0.30	0.32	
	50%	0.53	0.56	
	75%	0.66	0.69	
	100%	0.73	0.76	
Bearing type	: <u>Drive end</u> 6207 ZZ <u>Non drive end</u> 6205 ZZ	Foundation loads		
Sealing	: Without Without Bearing Seal Bearing Seal	Max. traction	: 140 lb	
		Max. compression	: 213 lb	
Lubrication interval	: - -			
Lubricant amount	: - -			
Lubricant type	: Mobil Polyrex EM			
Notes USABLE @208V 6.52A SF 1.00 SFA 6.52A				
This revision replaces and cancel the previous one, which must be eliminated. (1) Looking the motor from the shaft end. (2) Measured at 1m and with tolerance of +3dB(A). (3) Approximate weight subject to changes after manufacturing process. (4) At 100% of full load.		These are average values based on tests with sinusoidal power supply, subject to the tolerances stipulated in NEMA MG-1.		
Rev.	Changes Summary	Performed	Checked	Date
Performed by				
Checked by			Page	Revision
Date	14/04/2022		1 / 16	

# TORQUE AND CURRENT VS SPEED CURVE

Three Phase Induction Motor - Squirrel Cage

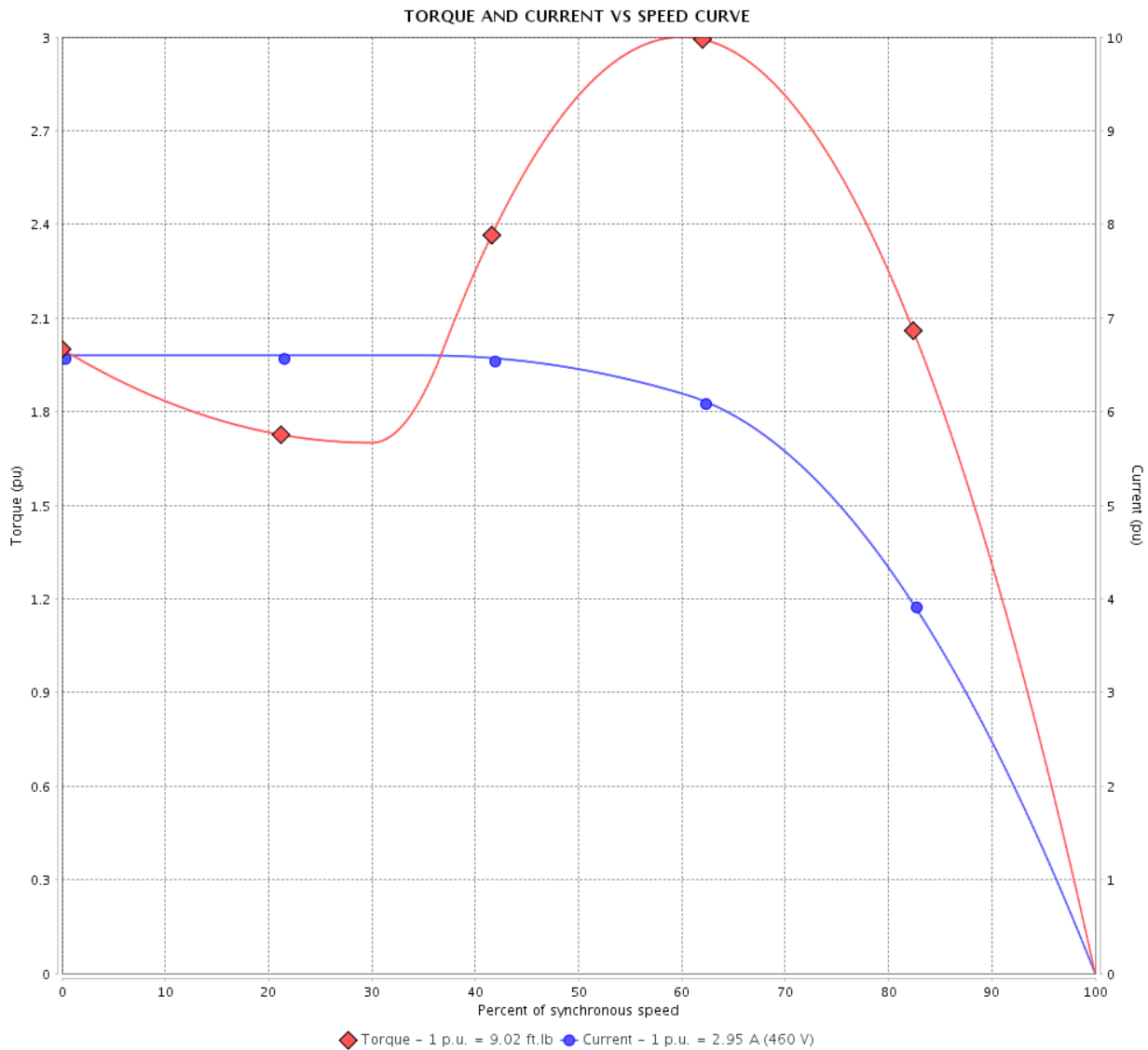


Customer :

Product line : JM Pump NEMA Premium  
Efficiency Three-Phase

Product code : 13482591

Catalog # : 002120T3E184JMV-S



Performance : 230/460 V 60 Hz 6P

Rated current : 5.90/2.95 A  
 LRC : 6.6  
 Rated torque : 9.02 ft.lb  
 Locked rotor torque : 200 %  
 Breakdown torque : 300 %  
 Rated speed : 1165 rpm

Moment of inertia (J) : 0.2800 sq.ft.lb  
 Duty cycle : Cont.(S1)  
 Insulation class : F  
 Service factor : 1.15  
 Temperature rise : 80 K  
 Design : B

Locked rotor time : 59s (cold) 33s (hot)

Rev.	Changes Summary	Performed	Checked	Date
Performed by			Page 2 / 16	Revision
Checked by				
Date	14/04/2022			

# TORQUE AND CURRENT VS SPEED CURVE



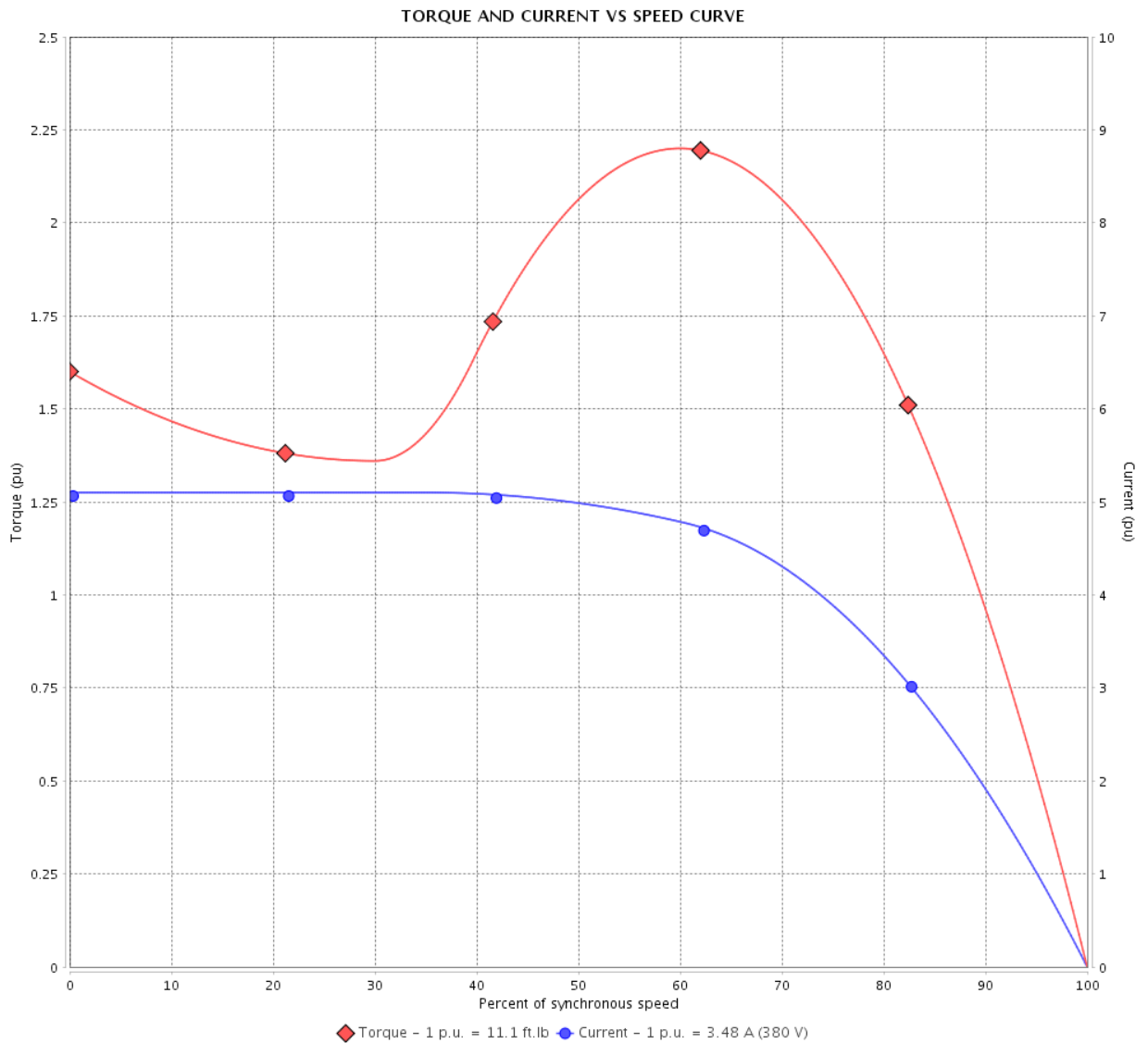
## Three Phase Induction Motor - Squirrel Cage

Customer :

Product line : JM Pump NEMA Premium Efficiency Three-Phase

Product code : 13482591

Catalog # : 002120T3E184JMV-S



Performance : 190/380 V 50 Hz 6P

Rated current : 6.96/3.48 A  
 LRC : 5.1  
 Rated torque : 11.1 ft.lb  
 Locked rotor torque : 160 %  
 Breakdown torque : 220 %  
 Rated speed : 945 rpm

Moment of inertia (J) : 0.2800 sq.ft.lb  
 Duty cycle : Cont.(S1)  
 Insulation class : F  
 Service factor : 1.00  
 Temperature rise : 105 K  
 Design : B

Locked rotor time : 0s (cold) 0s (hot)

Rev.	Changes Summary	Performed	Checked	Date
Performed by			Page 3 / 16	Revision
Checked by				
Date	14/04/2022			

# TORQUE AND CURRENT VS SPEED CURVE

## Three Phase Induction Motor - Squirrel Cage



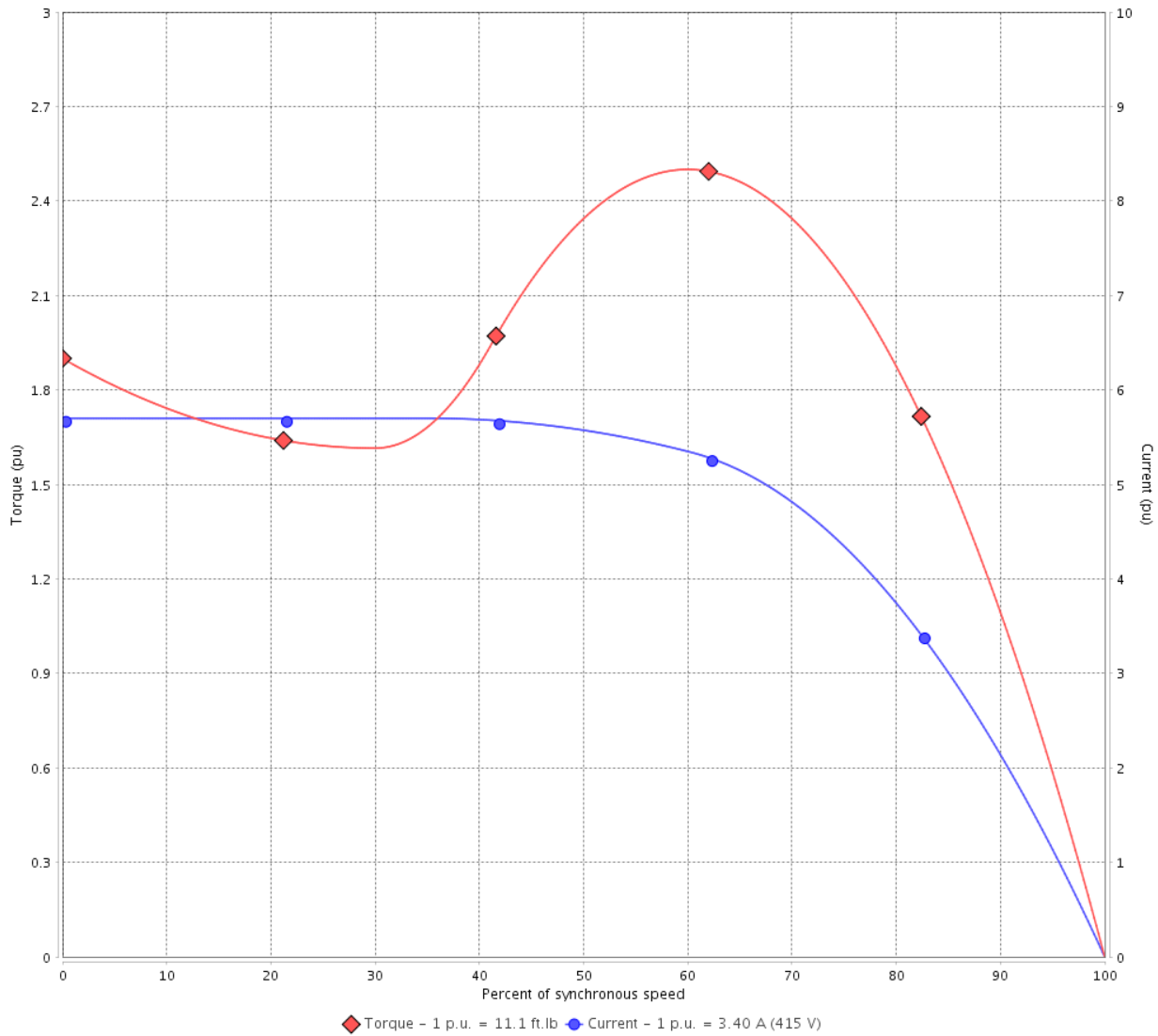
Customer :

Product line : JM Pump NEMA Premium  
Efficiency Three-Phase

Product code : 13482591

Catalog # : 002120T3E184JMV-S

TORQUE AND CURRENT VS SPEED CURVE



Performance : 220/415 V 50 Hz 6P

Rated current	: 6.41/3.40 A	Moment of inertia (J)	: 0.2800 sq.ft.lb
LRC	: 5.7	Duty cycle	: Cont.(S1)
Rated torque	: 11.1 ft.lb	Insulation class	: F
Locked rotor torque	: 190 %	Service factor	: 1.00
Breakdown torque	: 250 %	Temperature rise	: 80 K
Rated speed	: 950 rpm	Design	: B

Locked rotor time : 0s (cold) 0s (hot)

Rev.	Changes Summary	Performed	Checked	Date
Performed by			Page 4 / 16	Revision
Checked by				
Date	14/04/2022			

# LOAD PERFORMANCE CURVE

## Three Phase Induction Motor - Squirrel Cage

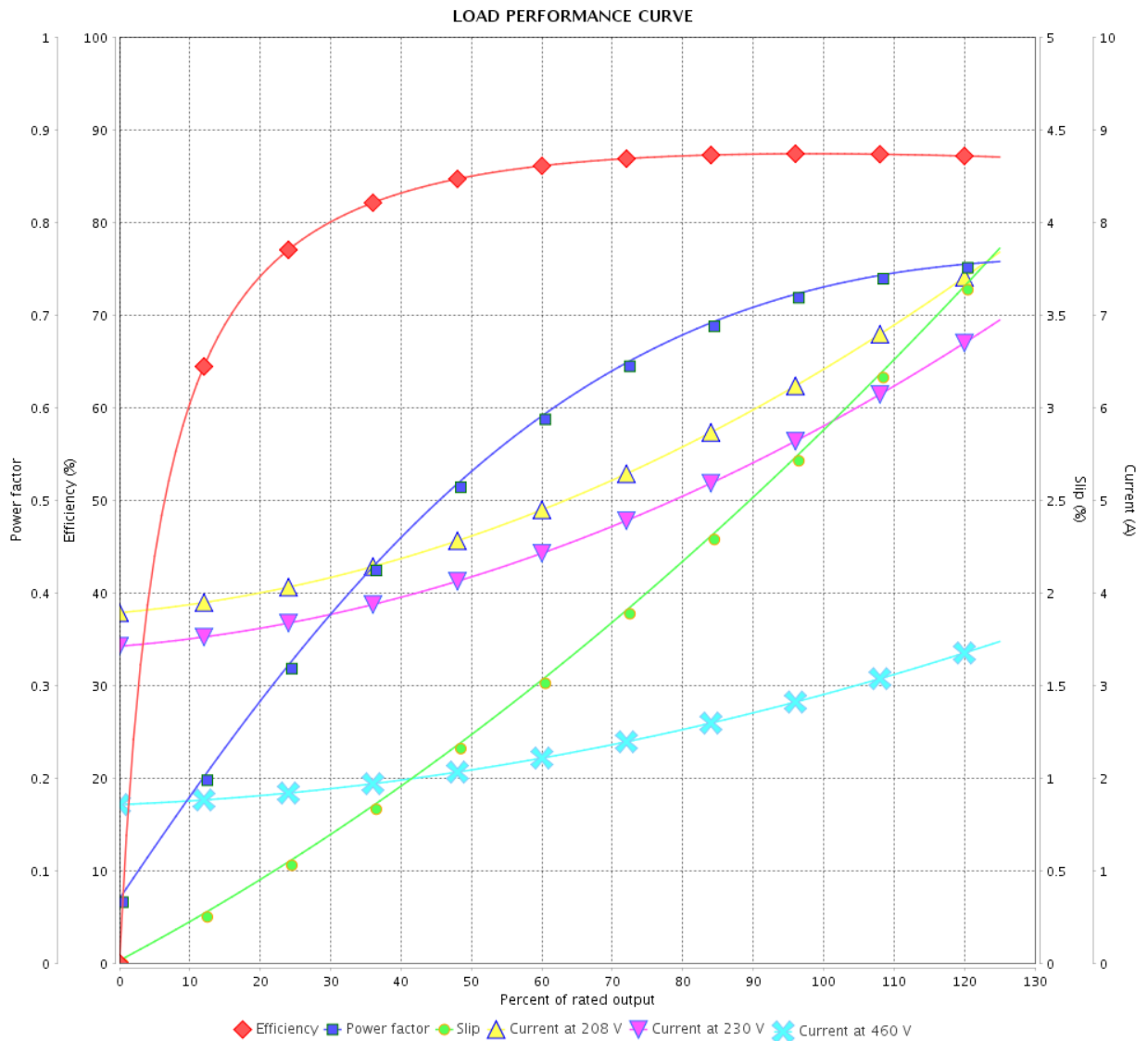


Customer :

Product line : JM Pump NEMA Premium Efficiency Three-Phase

Product code : 13482591

Catalog # : 00212OT3E184JMV-S



Performance : 230/460 V 60 Hz 6P

Rated current : 5.90/2.95 A  
 LRC : 6.6  
 Rated torque : 9.02 ft.lb  
 Locked rotor torque : 200 %  
 Breakdown torque : 300 %  
 Rated speed : 1165 rpm

Moment of inertia (J) : 0.2800 sq.ft.lb  
 Duty cycle : Cont.(S1)  
 Insulation class : F  
 Service factor : 1.15  
 Temperature rise : 80 K  
 Design : B

Rev.	Changes Summary	Performed	Checked	Date
Performed by			Page 5 / 16	Revision
Checked by				
Date	14/04/2022			

# LOAD PERFORMANCE CURVE

Three Phase Induction Motor - Squirrel Cage



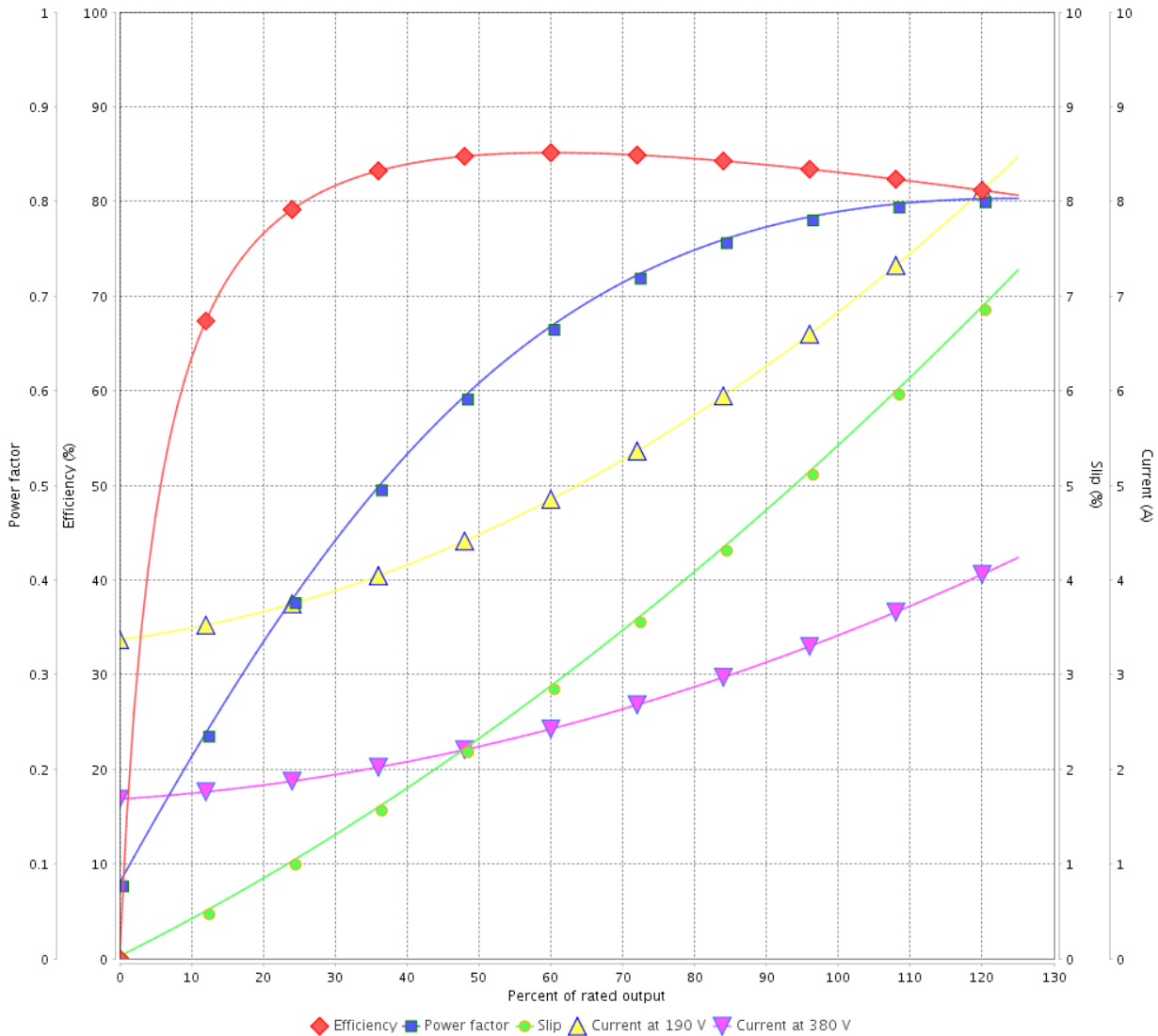
Customer :

Product line : JM Pump NEMA Premium Efficiency Three-Phase

Product code : 13482591

Catalog # : 002120T3E184JMV-S

LOAD PERFORMANCE CURVE



Performance : 190/380 V 50 Hz 6P

Rated current : 6.96/3.48 A  
 LRC : 5.1  
 Rated torque : 11.1 ft.lb  
 Locked rotor torque : 160 %  
 Breakdown torque : 220 %  
 Rated speed : 945 rpm

Moment of inertia (J) : 0.2800 sq.ft.lb  
 Duty cycle : Cont.(S1)  
 Insulation class : F  
 Service factor : 1.00  
 Temperature rise : 105 K  
 Design : B

Rev.	Changes Summary	Performed	Checked	Date
Performed by			Page	Revision
Checked by			6 / 16	
Date	14/04/2022			

# LOAD PERFORMANCE CURVE

## Three Phase Induction Motor - Squirrel Cage

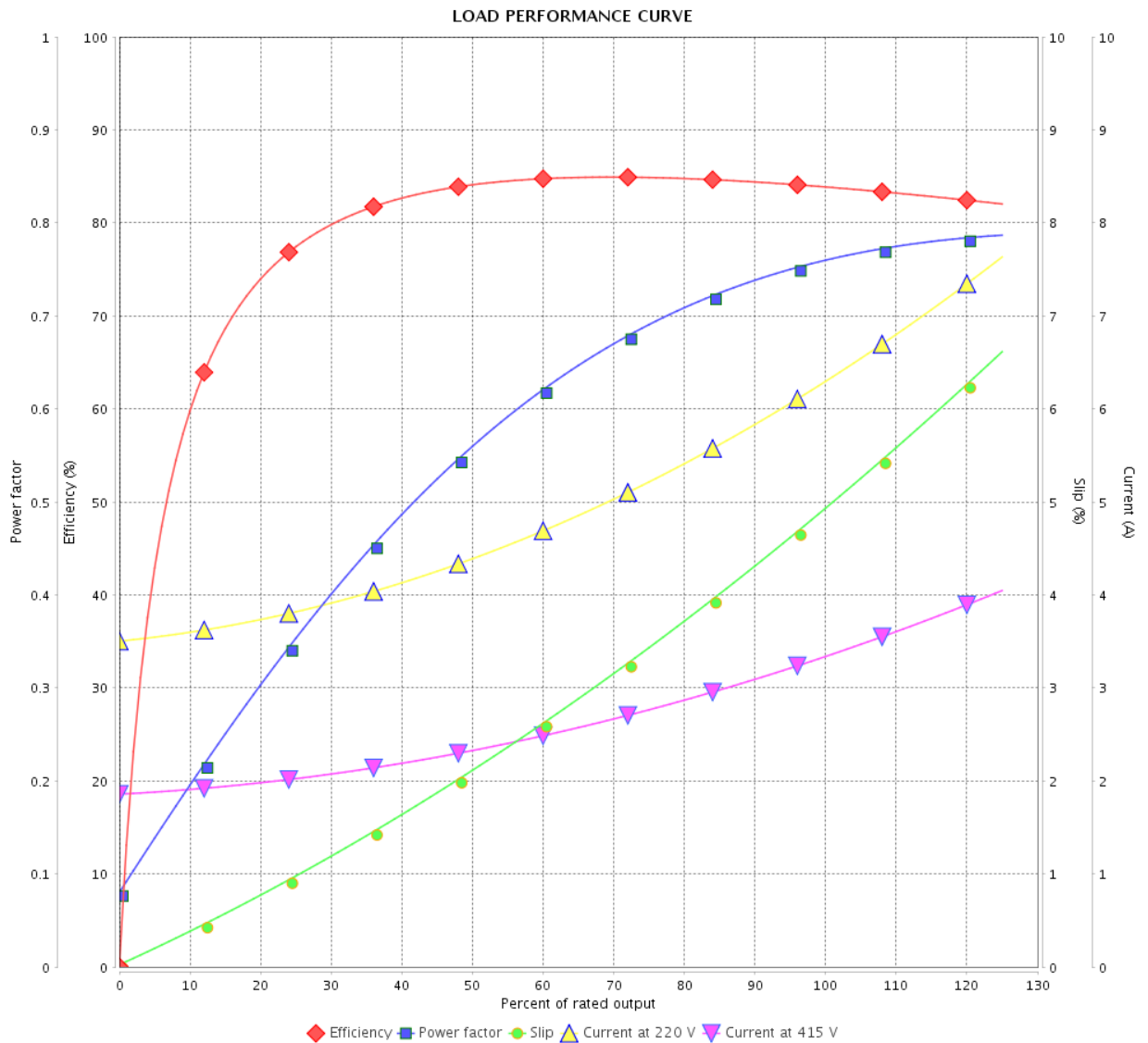


Customer :

Product line : JM Pump NEMA Premium Efficiency Three-Phase

Product code : 13482591

Catalog # : 002120T3E184JMV-S



Performance : 220/415 V 50 Hz 6P

Rated current : 6.41/3.40 A  
 LRC : 5.7  
 Rated torque : 11.1 ft.lb  
 Locked rotor torque : 190 %  
 Breakdown torque : 250 %  
 Rated speed : 950 rpm

Moment of inertia (J) : 0.2800 sq.ft.lb  
 Duty cycle : Cont.(S1)  
 Insulation class : F  
 Service factor : 1.00  
 Temperature rise : 80 K  
 Design : B

Rev.	Changes Summary	Performed	Checked	Date
Performed by			Page	Revision
Checked by			7 / 16	
Date	14/04/2022			

# THERMAL LIMIT CURVE



## Three Phase Induction Motor - Squirrel Cage

Customer :

Product line : JM Pump NEMA Premium  
Efficiency Three-Phase

Product code : 13482591

Catalog # : 00212OT3E184JMV-S

Performance : 230/460 V 60 Hz 6P

Rated current : 5.90/2.95 A  
LRC : 6.6  
Rated torque : 9.02 ft.lb  
Locked rotor torque : 200 %  
Breakdown torque : 300 %  
Rated speed : 1165 rpm

Moment of inertia (J) : 0.2800 sq.ft.lb  
Duty cycle : Cont.(S1)  
Insulation class : F  
Service factor : 1.15  
Temperature rise : 80 K  
Design : B

Heating constant

Cooling constant

Rev.	Changes Summary	Performed	Checked	Date
Performed by				
Checked by			Page	Revision
Date	14/04/2022		8 / 16	

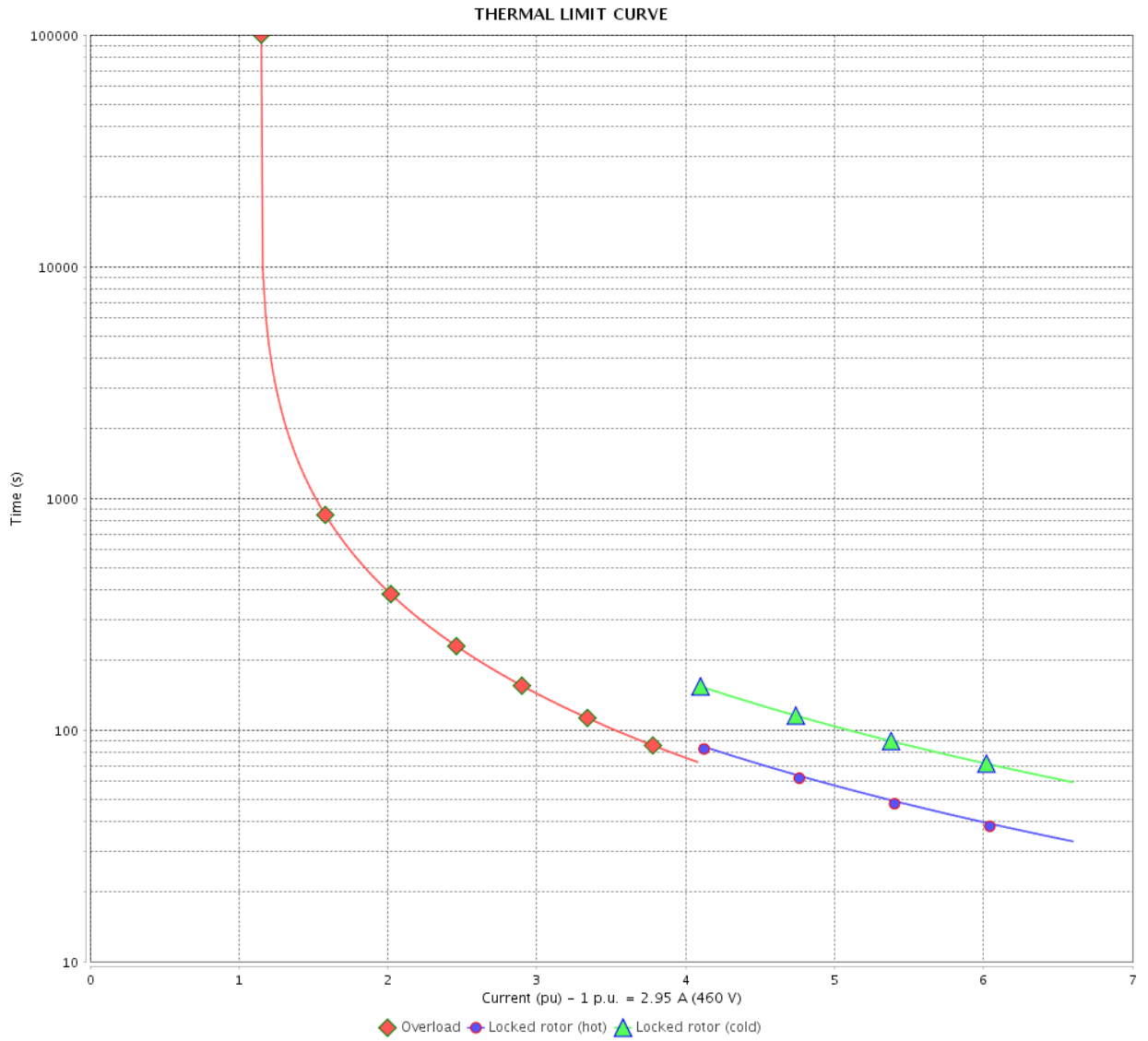


# THERMAL LIMIT CURVE

Three Phase Induction Motor - Squirrel Cage



Customer : \_\_\_\_\_



Rev.	Changes Summary	Performed	Checked	Date
Performed by		Page 9 / 16		Revision
Checked by				
Date				

# THERMAL LIMIT CURVE



## Three Phase Induction Motor - Squirrel Cage

Customer :

Product line : JM Pump NEMA Premium  
Efficiency Three-Phase

Product code : 13482591

Catalog # : 00212OT3E184JMV-S

Performance : 190/380 V 50 Hz 6P

Rated current : 6.96/3.48 A  
LRC : 5.1  
Rated torque : 11.1 ft.lb  
Locked rotor torque : 160 %  
Breakdown torque : 220 %  
Rated speed : 945 rpm

Moment of inertia (J) : 0.2800 sq.ft.lb  
Duty cycle : Cont.(S1)  
Insulation class : F  
Service factor : 1.00  
Temperature rise : 105 K  
Design : B

Heating constant

Cooling constant

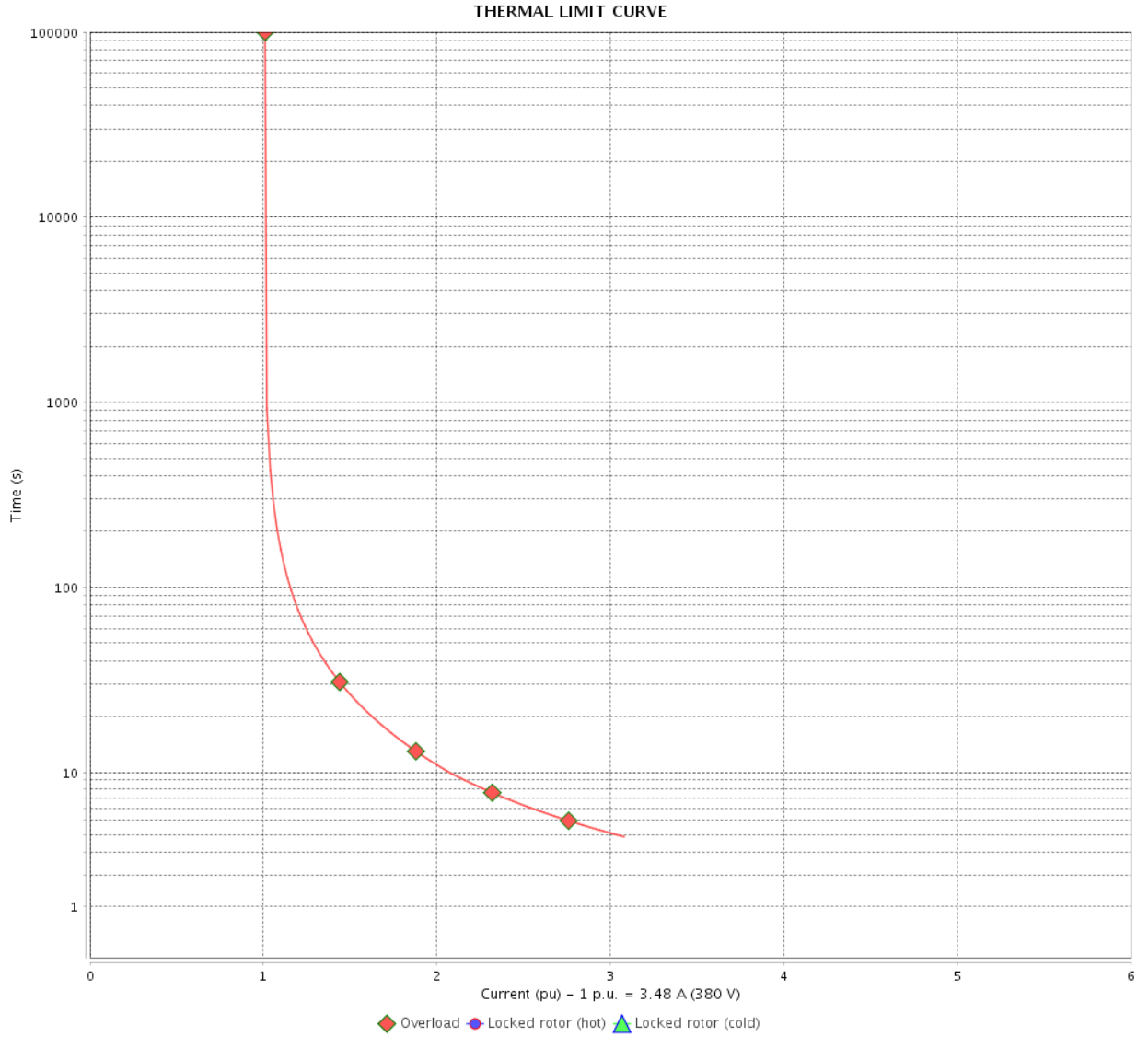
Rev.	Changes Summary	Performed	Checked	Date
Performed by				
Checked by			Page	Revision
Date	14/04/2022		10 / 16	

# THERMAL LIMIT CURVE

Three Phase Induction Motor - Squirrel Cage



Customer : \_\_\_\_\_



Rev.	Changes Summary	Performed	Checked	Date
Performed by		Page		Revision
Checked by		11 / 16		
Date		14/04/2022		

# THERMAL LIMIT CURVE



## Three Phase Induction Motor - Squirrel Cage

Customer :

Product line : JM Pump NEMA Premium  
Efficiency Three-Phase

Product code : 13482591

Catalog # : 00212OT3E184JMV-S

Performance : 220/415 V 50 Hz 6P

Rated current : 6.41/3.40 A  
LRC : 5.7  
Rated torque : 11.1 ft.lb  
Locked rotor torque : 190 %  
Breakdown torque : 250 %  
Rated speed : 950 rpm

Moment of inertia (J) : 0.2800 sq.ft.lb  
Duty cycle : Cont.(S1)  
Insulation class : F  
Service factor : 1.00  
Temperature rise : 80 K  
Design : B

Heating constant

Cooling constant

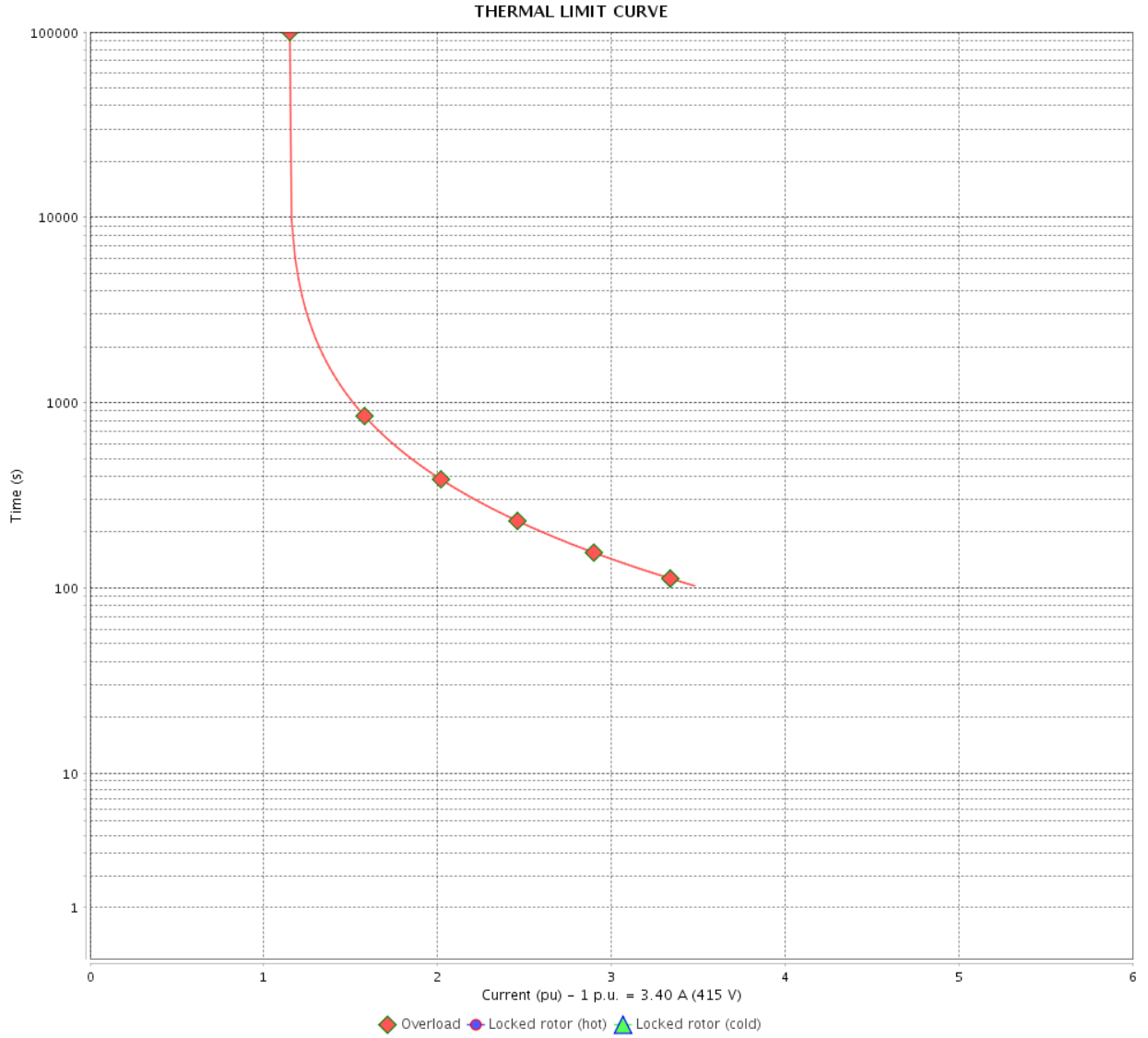
Rev.	Changes Summary	Performed	Checked	Date
Performed by				
Checked by			Page	Revision
Date	14/04/2022		12 / 16	

# THERMAL LIMIT CURVE

Three Phase Induction Motor - Squirrel Cage



Customer : \_\_\_\_\_



Rev.	Changes Summary	Performed	Checked	Date
Performed by		Page		Revision
Checked by		13 / 16		
Date		14/04/2022		

# VFD OPERATION CURVE

Three Phase Induction Motor - Squirrel Cage

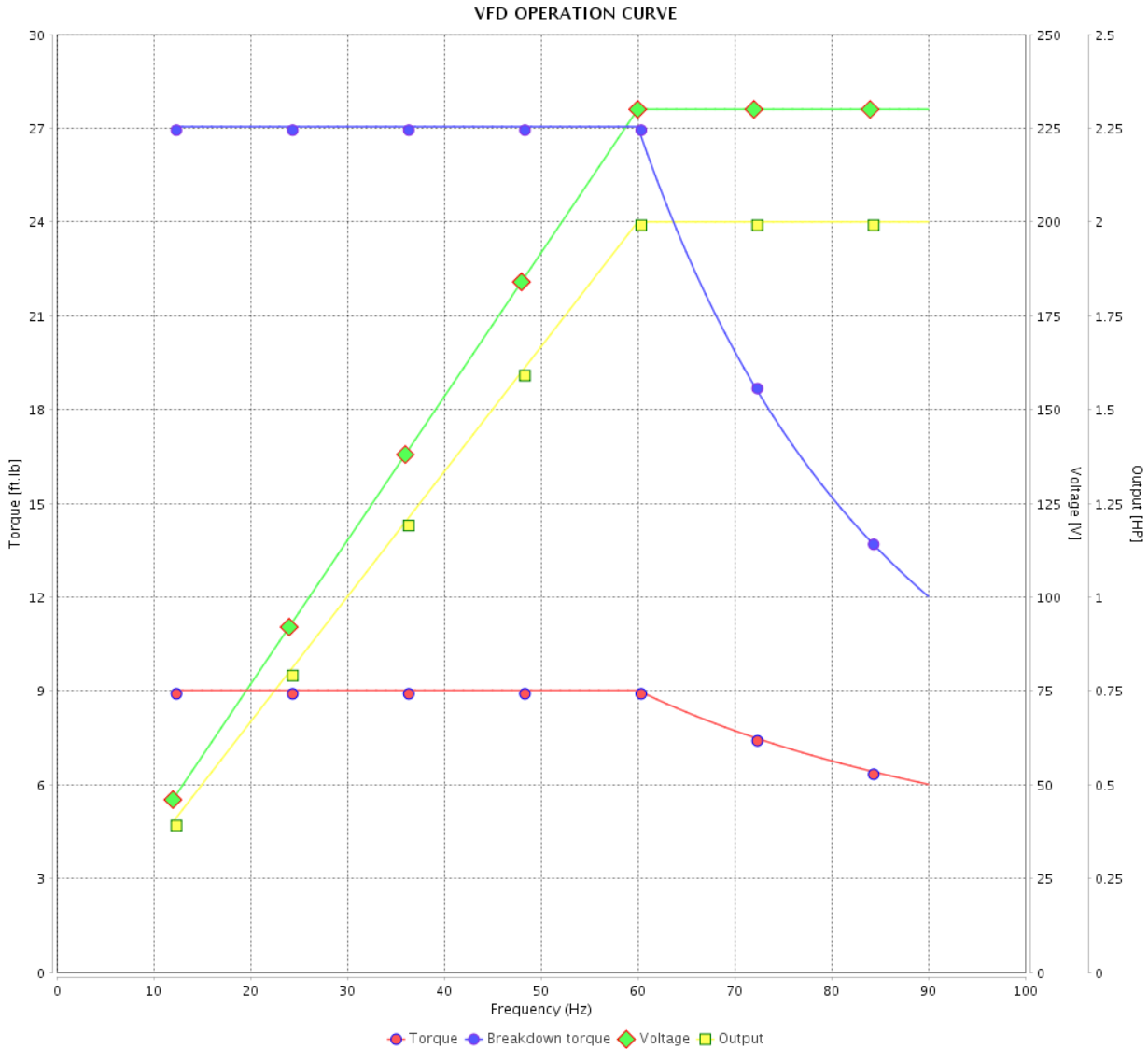


Customer : \_\_\_\_\_

Product line : JM Pump NEMA Premium  
Efficiency Three-Phase

Product code : 13482591

Catalog # : 002120T3E184JMV-S



Performance : 230/460 V 60 Hz 6P

Rated current : 5.90/2.95 A  
 LRC : 6.6  
 Rated torque : 9.02 ft.lb  
 Locked rotor torque : 200 %  
 Breakdown torque : 300 %  
 Rated speed : 1165 rpm

Moment of inertia (J) : 0.2800 sq.ft.lb  
 Duty cycle : Cont.(S1)  
 Insulation class : F  
 Service factor : 1.15  
 Temperature rise : 80 K  
 Design : B

Rev.	Changes Summary	Performed	Checked	Date
Performed by			Page	Revision
Checked by				
Date				

# VFD OPERATION CURVE

## Three Phase Induction Motor - Squirrel Cage

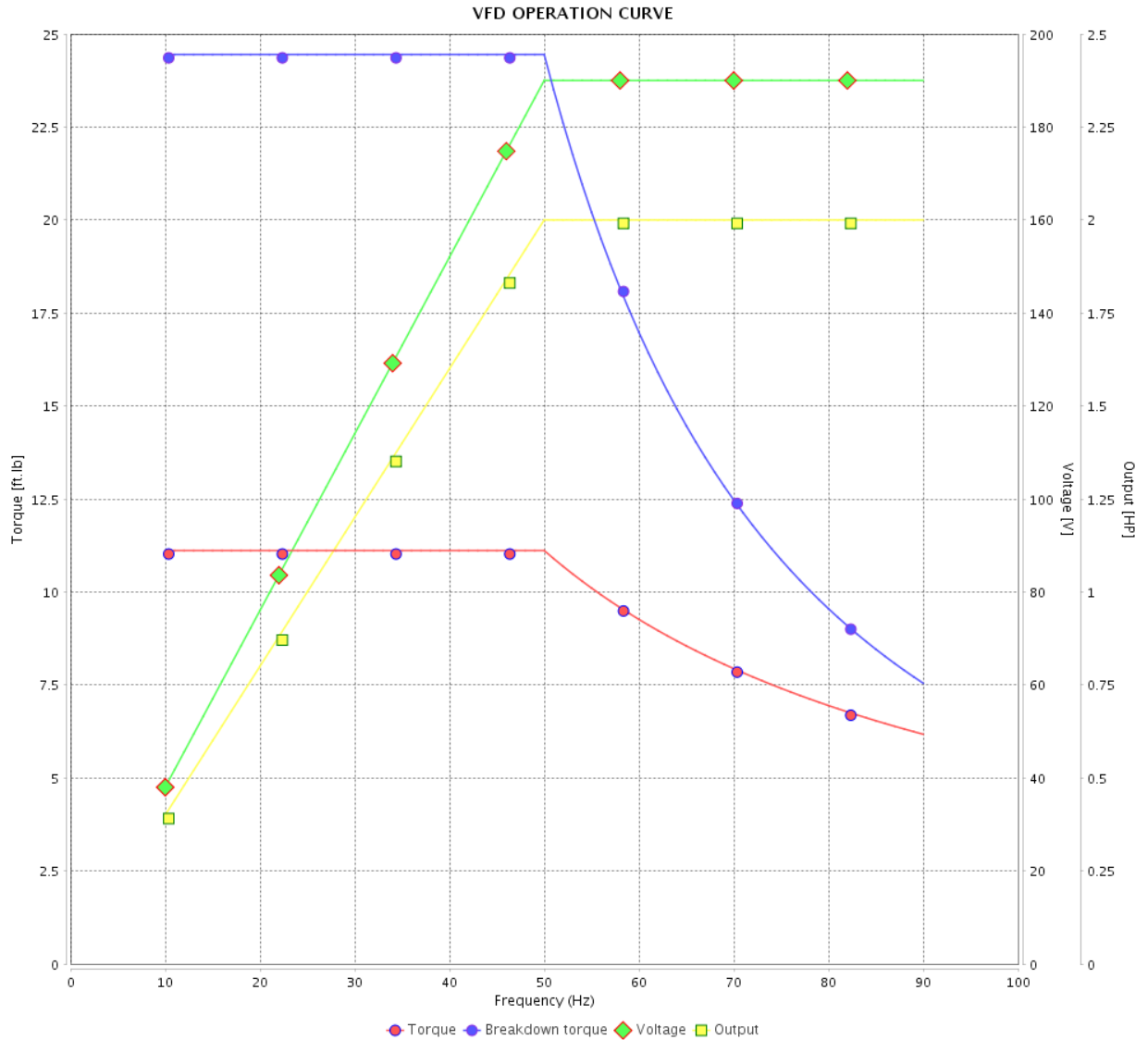


Customer :

Product line : JM Pump NEMA Premium Efficiency Three-Phase

Product code : 13482591

Catalog # : 00212OT3E184JMV-S



Performance : 190/380 V 50 Hz 6P

Rated current : 6.96/3.48 A  
 LRC : 5.1  
 Rated torque : 11.1 ft.lb  
 Locked rotor torque : 160 %  
 Breakdown torque : 220 %  
 Rated speed : 945 rpm

Moment of inertia (J) : 0.2800 sq.ft.lb  
 Duty cycle : Cont.(S1)  
 Insulation class : F  
 Service factor : 1.00  
 Temperature rise : 105 K  
 Design : B

Rev.	Changes Summary	Performed	Checked	Date
Performed by			Page 15 / 16	Revision
Checked by				
Date	14/04/2022			

# VFD OPERATION CURVE

Three Phase Induction Motor - Squirrel Cage



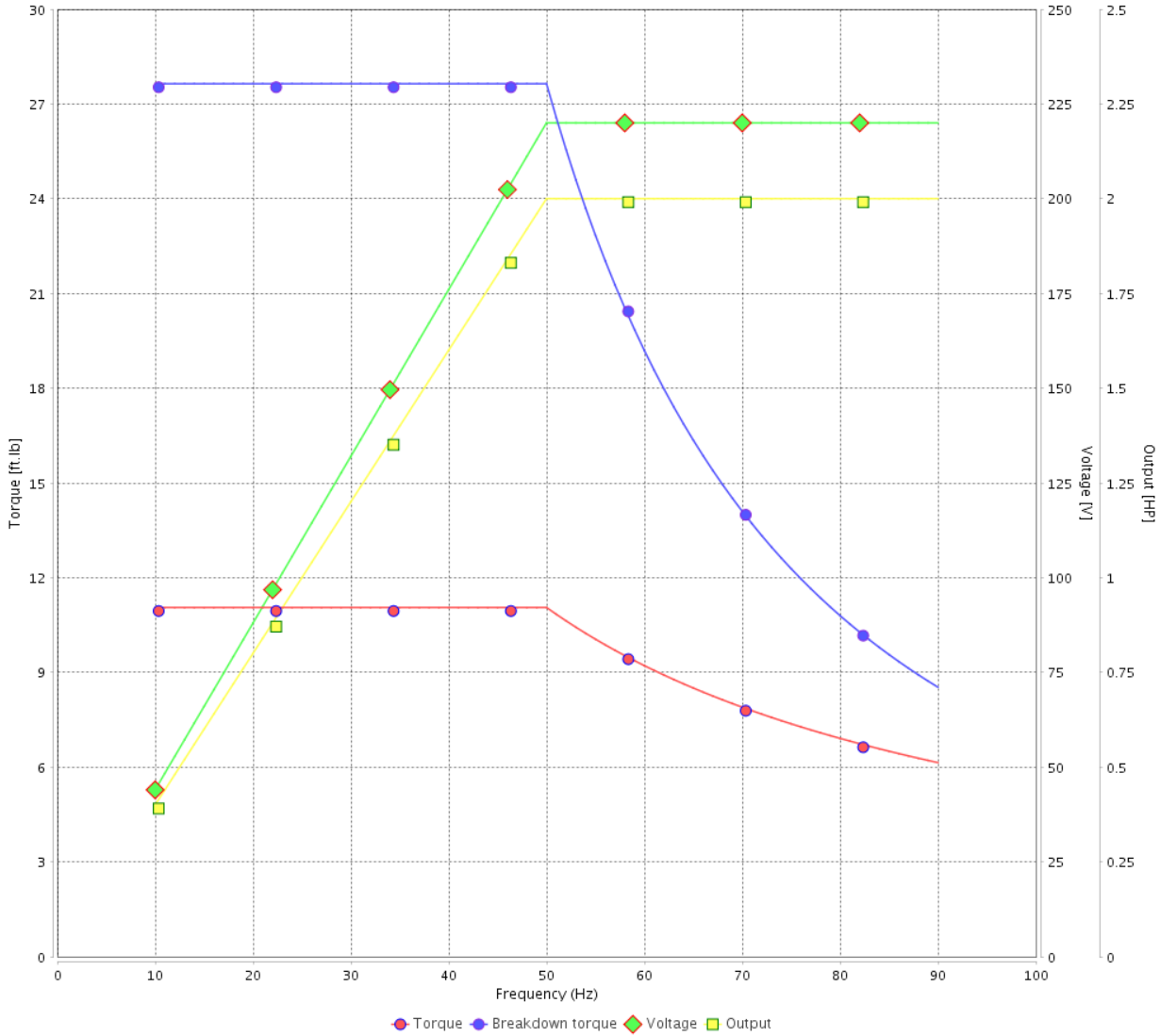
Customer :

Product line : JM Pump NEMA Premium Efficiency Three-Phase

Product code : 13482591

Catalog # : 002120T3E184JMV-S

VFD OPERATION CURVE



Performance : 220/415 V 50 Hz 6P

Rated current : 6.41/3.40 A  
 LRC : 5.7  
 Rated torque : 11.1 ft.lb  
 Locked rotor torque : 190 %  
 Breakdown torque : 250 %  
 Rated speed : 950 rpm

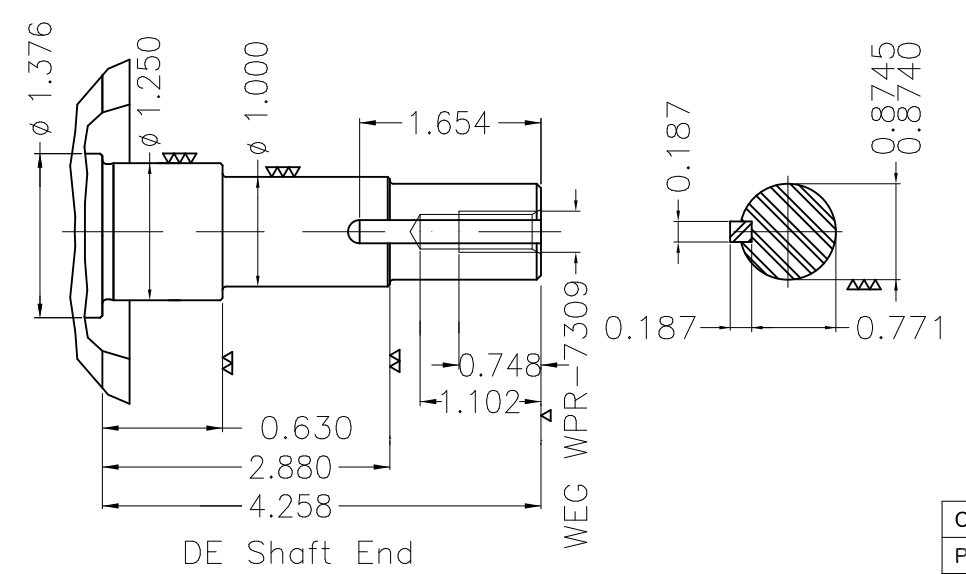
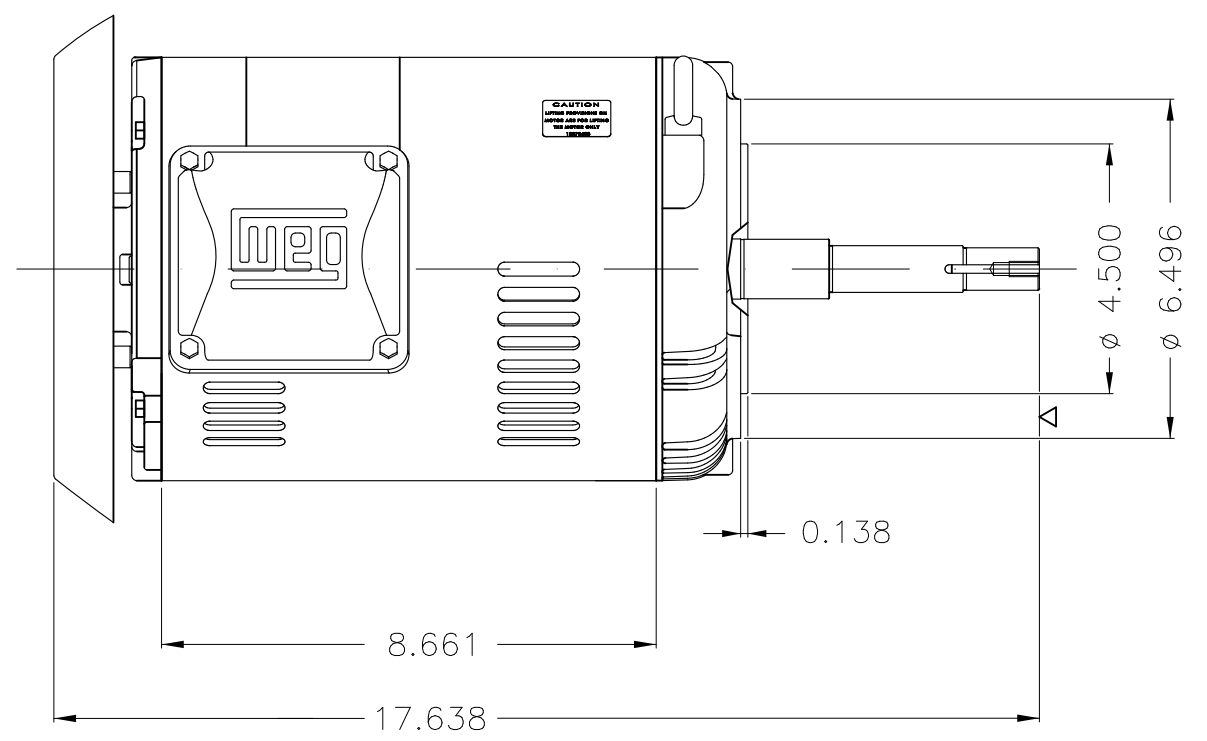
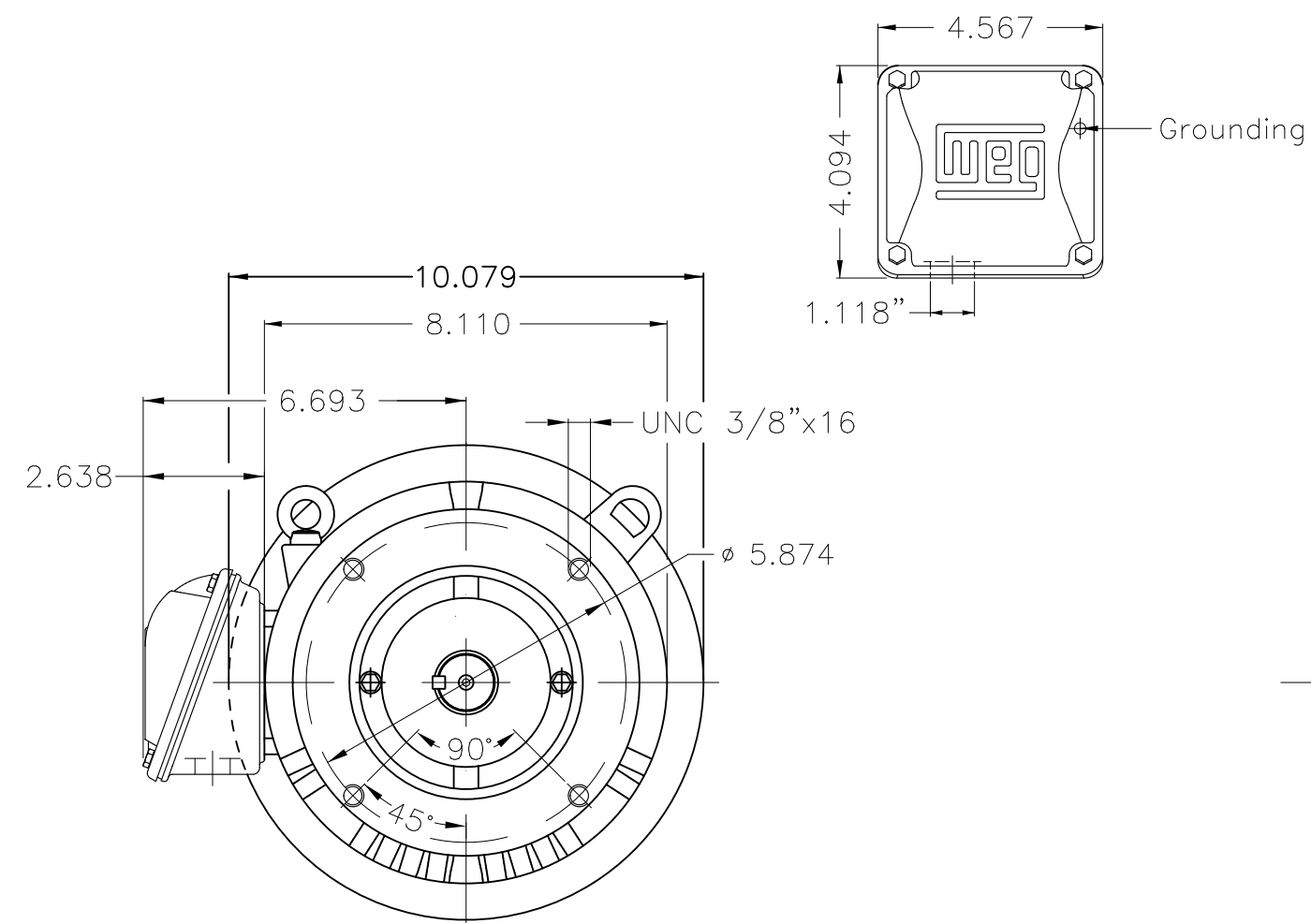
Moment of inertia (J) : 0.2800 sq.ft.lb  
 Duty cycle : Cont.(S1)  
 Insulation class : F  
 Service factor : 1.00  
 Temperature rise : 80 K  
 Design : B

Rev.	Changes Summary	Performed	Checked	Date
Performed by			Page	Revision
Checked by				
Date				



1 2 3 4 5 6

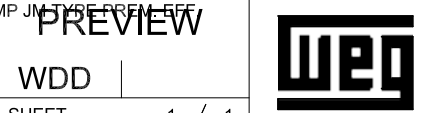
A  
B  
C  
D  
E



Color Munsell N 1 matte black									
Painting plan 207N									
Mounting W-6/V18R(D)									
ECM	LOC	SUMMARY OF MODIFICATIONS			EXECUTED	CHECKED	RELEASED	DATE	VER
EXECUTED	PIRBUSER	THREE PH. MOTOR ROLLED STEEL CLOSE COUPLED PUMP JN TYPE PSEF 182							
CHECKED		FRAME 182/4JM IP21 ODP							
RELEASED									
REL DT.		WMO	Jaragua do Sul	Product Engineering					

2 HP 06 Poles 60 Hz

A REL DT. WMO Jaragua do Sul Product Engineering SHEET 1 / 1



Dimensions in inches XME A3

**WEG**  
**NEMA**  
**Premium**

MADE IN MEXICO

MAT: 13482591 CC029A

W01.T00IC0X0N

MODEL 002120T3E184JMV-S

24JUL2020 S/N:

PH 3 FR 182/4JM HP(KW) 2.0(1.5) Hz 60

V 230/460 RPM 1165

A 5.90/2.95 DUTY CONT.

SFA 6.79/3.39 CODE J DES B

SF 1.15 INS CL F AT 80K AMB 40°C ENCL ODP

PF 0.73 NEMA NOM.EFF. 87.5%

ALT 1000 m.a.s.l. USABLE @ 208V 6.52A SF1.00

ALTERNATE RATING: 2.0HP 50Hz 190-220/380-415V SF1.00

6.96-6.34/3.48-3.36A 945RPM EFF 83.0% (IE3) IEC 60034-1

T1-BLU T2-WHT  
T3-ORG T4-YEL  
T5-BLK T6-GRY  
T7-PNK T8-RED  
T9-BRK RED

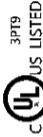
INTERCHANGE ANY TWO LINE WIRES TO REVERSE THE ROTATION

Inverter duty motor For 60Hz use on VPWM 1000:1 VT, 5:1 CT

DE: 6207-ZZ ODE: 6205-ZZ MOBIL POLYREX EM

WARNING: Motor must be grounded in accordance with local and national electrical codes to prevent serious electrical shocks. Disconnect power source before servicing unit.

AVERTISSEMENT: Le moteur doit être mis à la terre conformément aux codes électriques locaux et nationaux afin d'éviter tout choc électrique grave. Déconnectez l'alimentation avant l'entretien de la machine.



3PT9

C US LISTED



Energy Verified

