

# DATA SHEET

## Three Phase Induction Motor - Squirrel Cage



Customer :				
Product line	: JP Pump NEMA Premium Efficiency Three-Phase	Product code :	12682733	
		Catalog # :	00212OT3E184JP-S	
Frame	: 182/4JP	Cooling method	: IC01 - ODP	
Insulation class	: F	Mounting	: F-1	
Duty cycle	: Cont.(S1)	Rotation <sup>1</sup>	: Both (CW and CCW)	
Ambient temperature	: -20°C to +40°C	Starting method	: Direct On Line	
Altitude	: 1000 m.a.s.l.	Approx. weight <sup>2</sup>	: 66.2 lb	
Design	: B	Moment of inertia (J)	: 0.2800 sq.ft.lb	
Output [HP]	2	2	2	
Poles	6	6	6	
Frequency [Hz]	60	50	50	
Rated voltage [V]	230/460	190/380	220/415	
Rated current [A]	5.90/2.95	6.96/3.48	6.41/3.40	
L. R. Amperes [A]	38.9/19.5	35.5/17.7	36.6/19.4	
LRC [A]	6.6x(Code J)	5.1x(Code G)	5.7x(Code H)	
No load current [A]	3.42/1.71	3.37/1.69	3.50/1.86	
Rated speed [RPM]	1165	945	950	
Slip [%]	2.92	5.50	5.00	
Rated torque [ft.lb]	9.02	11.1	11.1	
Locked rotor torque [%]	200	160	190	
Breakdown torque [%]	300	220	250	
Service factor	1.15	1.00	1.00	
Temperature rise	80 K	105 K	80 K	
Locked rotor time	59s (cold) 33s (hot)	0s (cold) 0s (hot)	0s (cold) 0s (hot)	
Noise level <sup>2</sup>	52.0 dB(A)	50.0 dB(A)	50.0 dB(A)	
Efficiency (%)	25%	84.4	84.6	
	50%	85.5	84.0	
	75%	86.5	85.0	
	100%	87.5	83.8	
Power Factor	25%	0.30	0.32	
	50%	0.53	0.56	
	75%	0.66	0.69	
	100%	0.73	0.76	
Bearing type	: <u>Drive end</u> 6207 ZZ <u>Non drive end</u> 6205 ZZ	Foundation loads		
Sealing	: Without Without Bearing Seal Bearing Seal	Max. traction	: 143 lb	
		Max. compression	: 209 lb	
Lubrication interval	: - -			
Lubricant amount	: - -			
Lubricant type	: Mobil Polyrex EM			
Notes USABLE @208V 6.52A SF 1.00 SFA 6.52A				
This revision replaces and cancel the previous one, which must be eliminated. (1) Looking the motor from the shaft end. (2) Measured at 1m and with tolerance of +3dB(A). (3) Approximate weight subject to changes after manufacturing process. (4) At 100% of full load.		These are average values based on tests with sinusoidal power supply, subject to the tolerances stipulated in NEMA MG-1.		
Rev.	Changes Summary	Performed	Checked	Date
Performed by				
Checked by			Page	Revision
Date	14/04/2022		1 / 16	

# TORQUE AND CURRENT VS SPEED CURVE

## Three Phase Induction Motor - Squirrel Cage

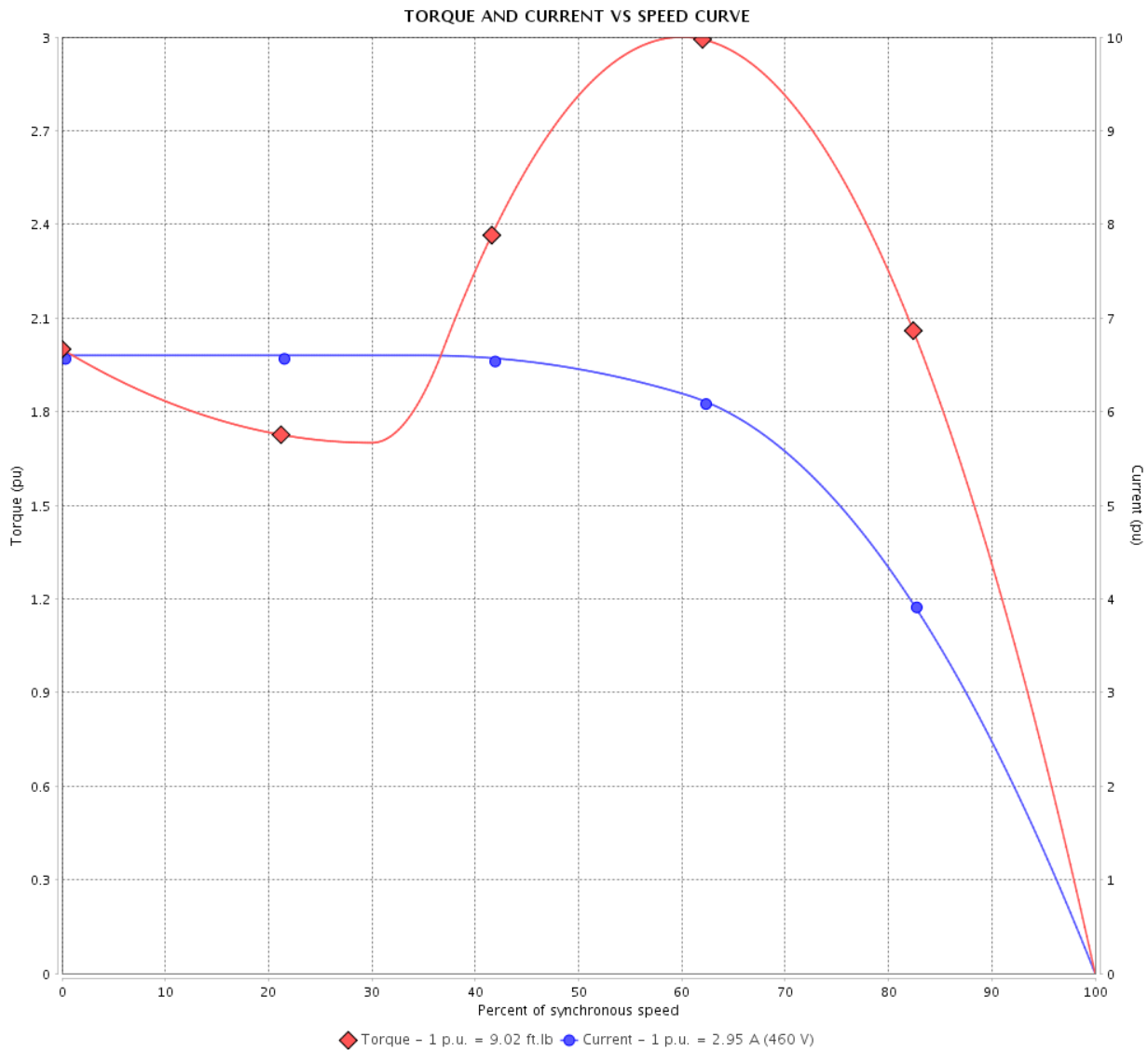


Customer :

Product line : JP Pump NEMA Premium Efficiency Three-Phase

Product code : 12682733

Catalog # : 002120T3E184JP-S



Performance : 230/460 V 60 Hz 6P

Rated current : 5.90/2.95 A  
 LRC : 6.6  
 Rated torque : 9.02 ft.lb  
 Locked rotor torque : 200 %  
 Breakdown torque : 300 %  
 Rated speed : 1165 rpm

Moment of inertia (J) : 0.2800 sq.ft.lb  
 Duty cycle : Cont.(S1)  
 Insulation class : F  
 Service factor : 1.15  
 Temperature rise : 80 K  
 Design : B

Locked rotor time : 59s (cold) 33s (hot)

Rev.	Changes Summary	Performed	Checked	Date
Performed by			Page 2 / 16	Revision
Checked by				
Date	14/04/2022			

# TORQUE AND CURRENT VS SPEED CURVE



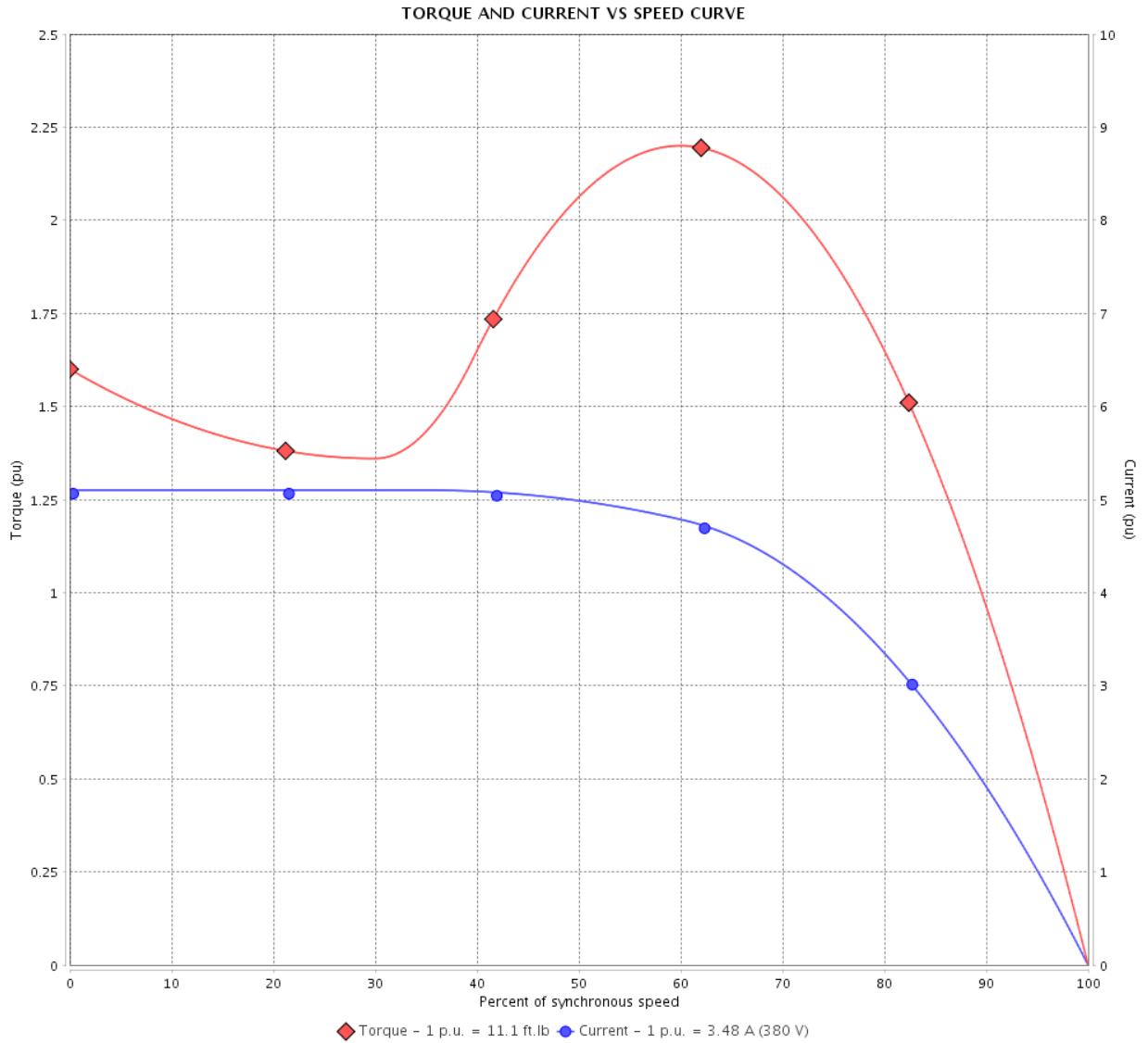
## Three Phase Induction Motor - Squirrel Cage

Customer :

Product line : JP Pump NEMA Premium Efficiency Three-Phase

Product code : 12682733

Catalog # : 002120T3E184JP-S



Performance : 190/380 V 50 Hz 6P

Rated current : 6.96/3.48 A  
 LRC : 5.1  
 Rated torque : 11.1 ft.lb  
 Locked rotor torque : 160 %  
 Breakdown torque : 220 %  
 Rated speed : 945 rpm

Moment of inertia (J) : 0.2800 sq.ft.lb  
 Duty cycle : Cont.(S1)  
 Insulation class : F  
 Service factor : 1.00  
 Temperature rise : 105 K  
 Design : B

Locked rotor time : 0s (cold) 0s (hot)

Rev.	Changes Summary	Performed	Checked	Date
Performed by			Page 3 / 16	Revision
Checked by				
Date	14/04/2022			

# TORQUE AND CURRENT VS SPEED CURVE

Three Phase Induction Motor - Squirrel Cage



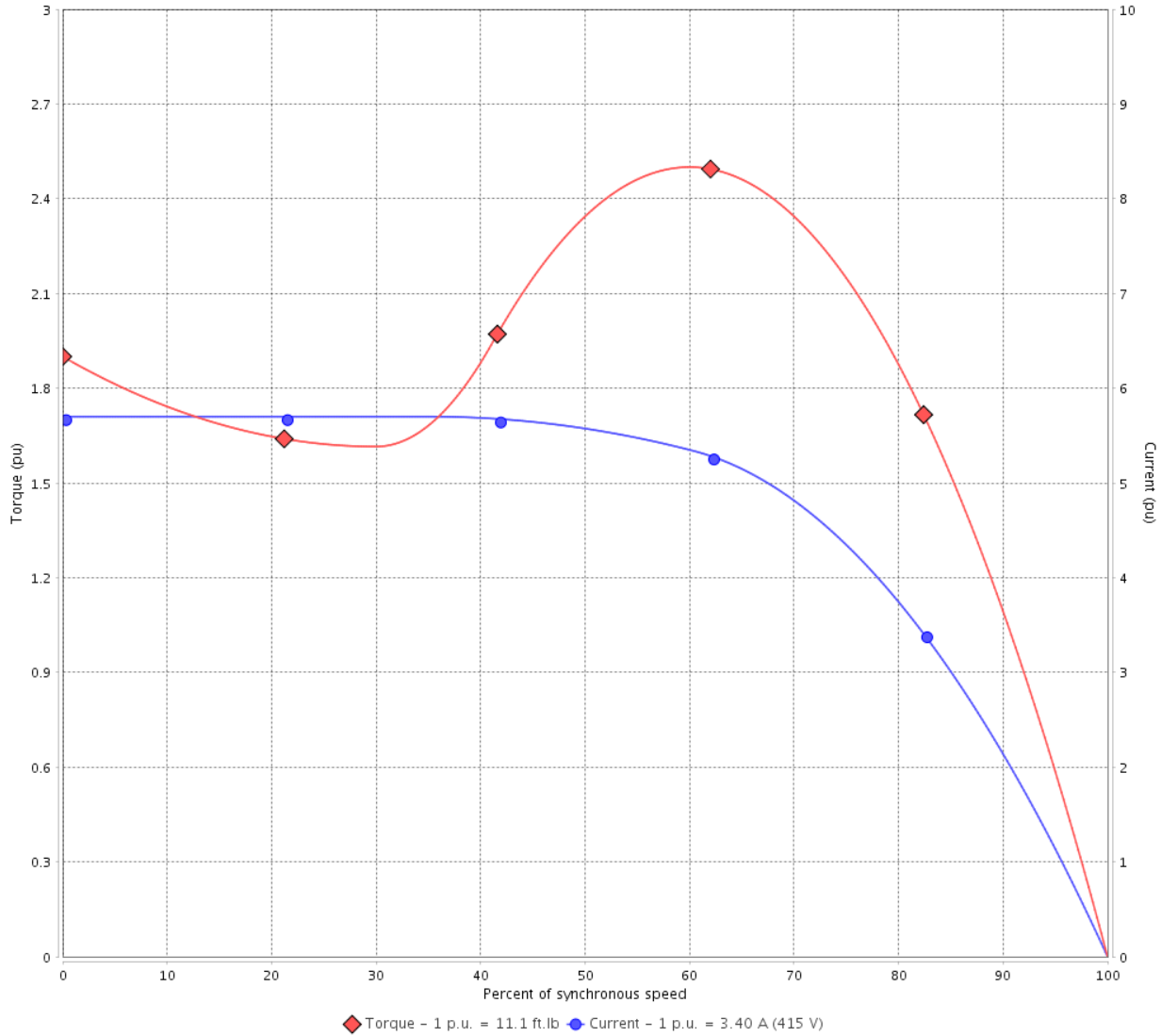
Customer :

Product line : JP Pump NEMA Premium  
Efficiency Three-Phase

Product code : 12682733

Catalog # : 002120T3E184JP-S

TORQUE AND CURRENT VS SPEED CURVE



Performance : 220/415 V 50 Hz 6P

Rated current	: 6.41/3.40 A	Moment of inertia (J)	: 0.2800 sq.ft.lb
LRC	: 5.7	Duty cycle	: Cont.(S1)
Rated torque	: 11.1 ft.lb	Insulation class	: F
Locked rotor torque	: 190 %	Service factor	: 1.00
Breakdown torque	: 250 %	Temperature rise	: 80 K
Rated speed	: 950 rpm	Design	: B

Locked rotor time : 0s (cold) 0s (hot)

Rev.	Changes Summary	Performed	Checked	Date
Performed by			Page 4 / 16	Revision
Checked by				
Date	14/04/2022			

# LOAD PERFORMANCE CURVE

## Three Phase Induction Motor - Squirrel Cage

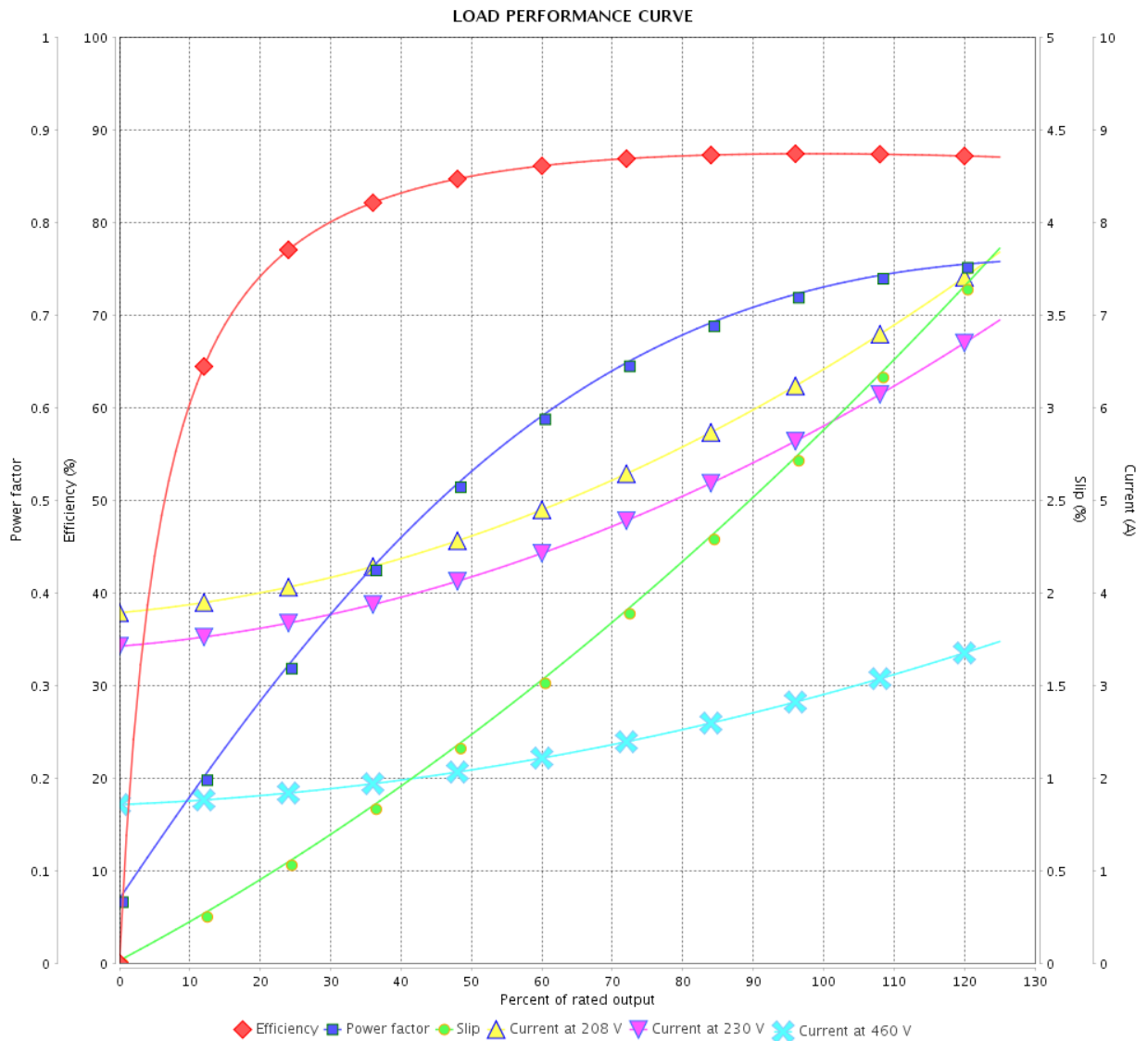


Customer : \_\_\_\_\_

Product line : JP Pump NEMA Premium  
Efficiency Three-Phase

Product code : 12682733

Catalog # : 002120T3E184JP-S



Performance : 230/460 V 60 Hz 6P

Rated current : 5.90/2.95 A  
LRC : 6.6  
Rated torque : 9.02 ft.lb  
Locked rotor torque : 200 %  
Breakdown torque : 300 %  
Rated speed : 1165 rpm

Moment of inertia (J) : 0.2800 sq.ft.lb  
Duty cycle : Cont.(S1)  
Insulation class : F  
Service factor : 1.15  
Temperature rise : 80 K  
Design : B

Rev.	Changes Summary	Performed	Checked	Date
Performed by			Page	Revision
Checked by				
Date				

# LOAD PERFORMANCE CURVE

Three Phase Induction Motor - Squirrel Cage



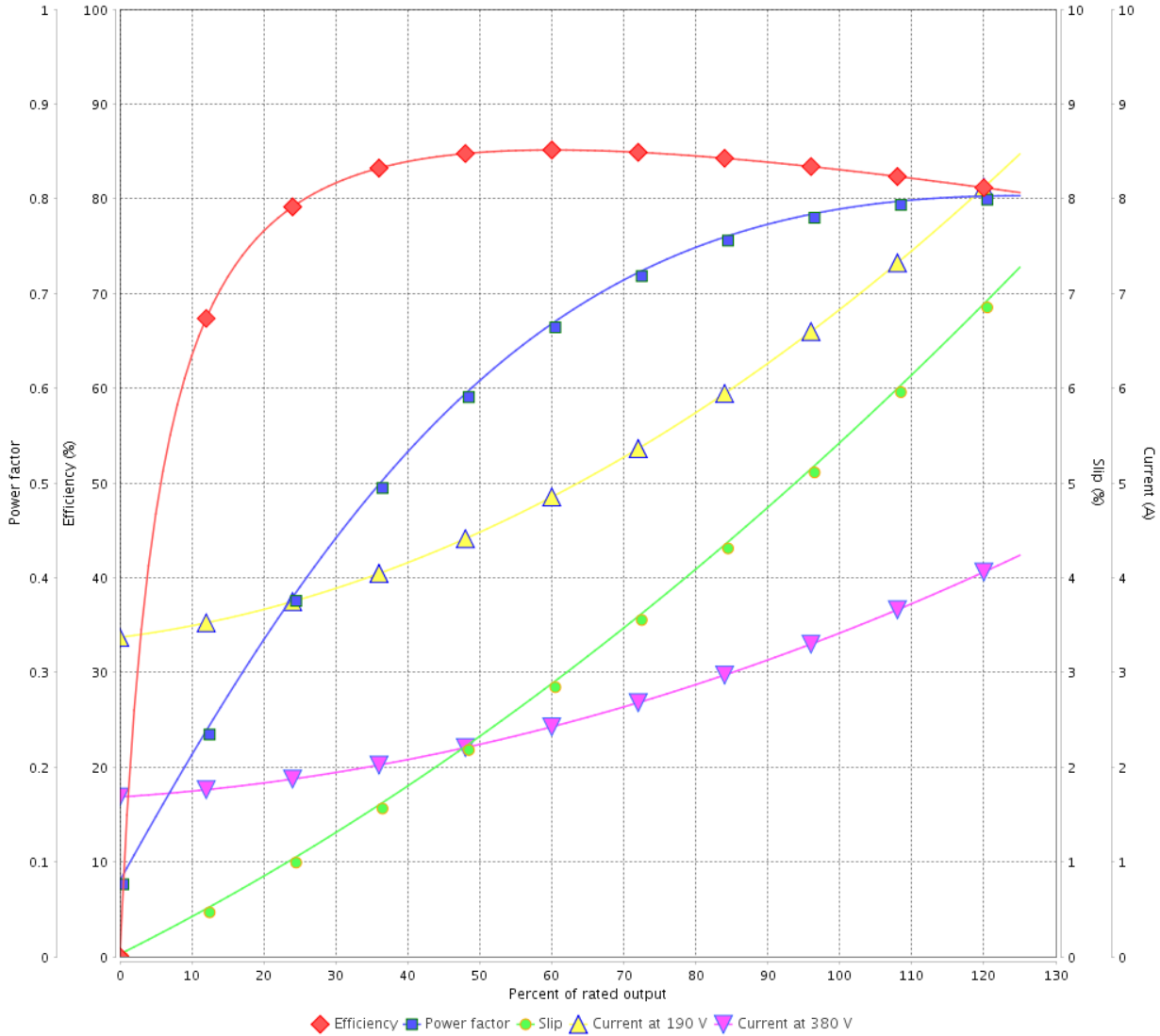
Customer :

Product line : JP Pump NEMA Premium  
Efficiency Three-Phase

Product code : 12682733

Catalog # : 002120T3E184JP-S

LOAD PERFORMANCE CURVE



Performance : 190/380 V 50 Hz 6P

Rated current : 6.96/3.48 A  
LRC : 5.1  
Rated torque : 11.1 ft.lb  
Locked rotor torque : 160 %  
Breakdown torque : 220 %  
Rated speed : 945 rpm

Moment of inertia (J) : 0.2800 sq.ft.lb  
Duty cycle : Cont.(S1)  
Insulation class : F  
Service factor : 1.00  
Temperature rise : 105 K  
Design : B

Rev.	Changes Summary	Performed	Checked	Date
Performed by			Page	Revision
Checked by			6 / 16	
Date	14/04/2022			

# LOAD PERFORMANCE CURVE

## Three Phase Induction Motor - Squirrel Cage

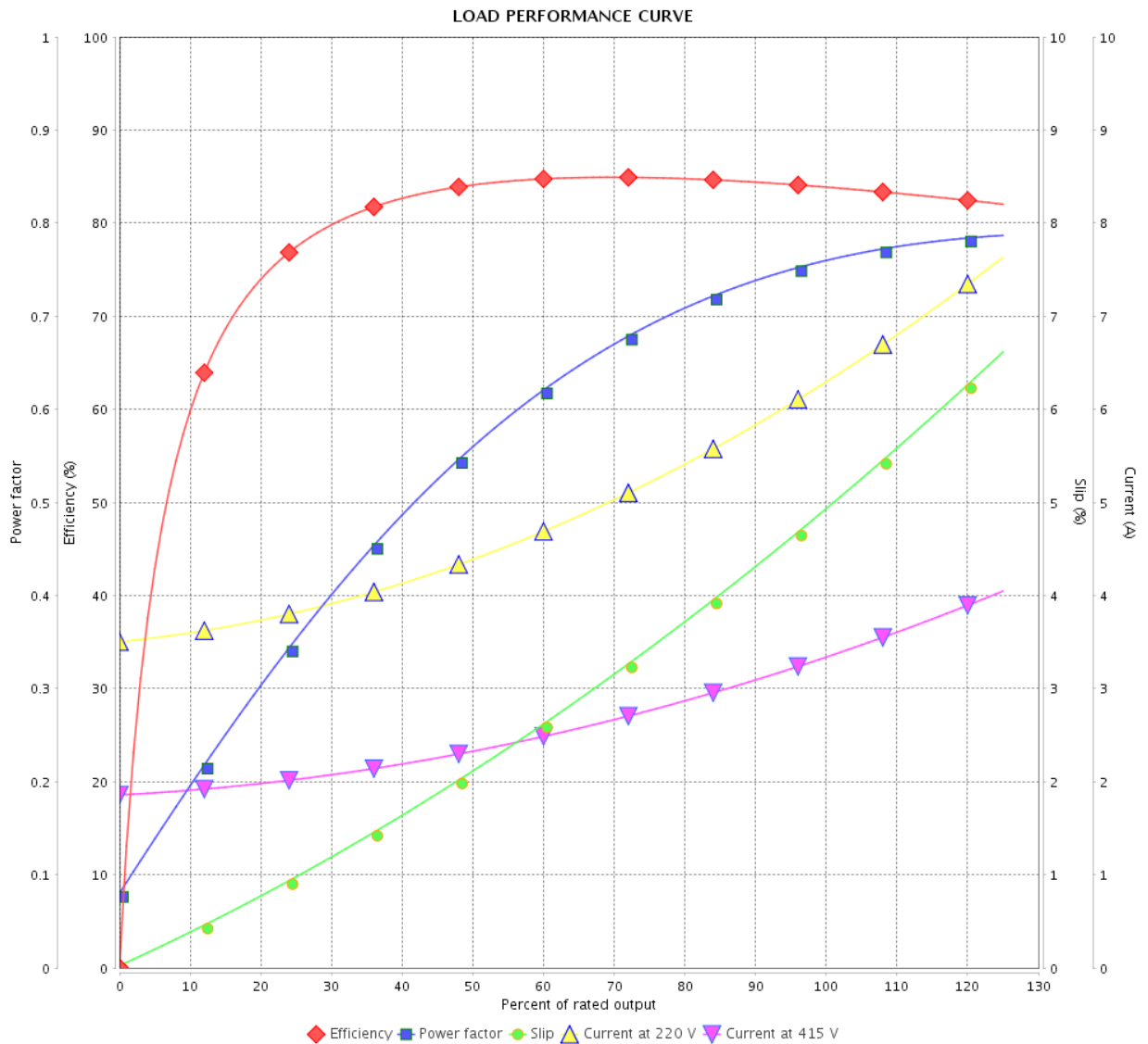


Customer :

Product line : JP Pump NEMA Premium  
Efficiency Three-Phase

Product code : 12682733

Catalog # : 002120T3E184JP-S



Performance : 220/415 V 50 Hz 6P

Rated current : 6.41/3.40 A  
 LRC : 5.7  
 Rated torque : 11.1 ft.lb  
 Locked rotor torque : 190 %  
 Breakdown torque : 250 %  
 Rated speed : 950 rpm

Moment of inertia (J) : 0.2800 sq.ft.lb  
 Duty cycle : Cont.(S1)  
 Insulation class : F  
 Service factor : 1.00  
 Temperature rise : 80 K  
 Design : B

Rev.	Changes Summary	Performed	Checked	Date
Performed by			Page	Revision
Checked by				
Date				

# THERMAL LIMIT CURVE



## Three Phase Induction Motor - Squirrel Cage

Customer :

Product line : JP Pump NEMA Premium  
Efficiency Three-Phase

Product code : 12682733

Catalog # : 00212OT3E184JP-S

Performance : 230/460 V 60 Hz 6P

Rated current : 5.90/2.95 A  
LRC : 6.6  
Rated torque : 9.02 ft.lb  
Locked rotor torque : 200 %  
Breakdown torque : 300 %  
Rated speed : 1165 rpm

Moment of inertia (J) : 0.2800 sq.ft.lb  
Duty cycle : Cont.(S1)  
Insulation class : F  
Service factor : 1.15  
Temperature rise : 80 K  
Design : B

Heating constant

Cooling constant

Rev.	Changes Summary	Performed	Checked	Date
Performed by				
Checked by			Page	Revision
Date	14/04/2022		8 / 16	

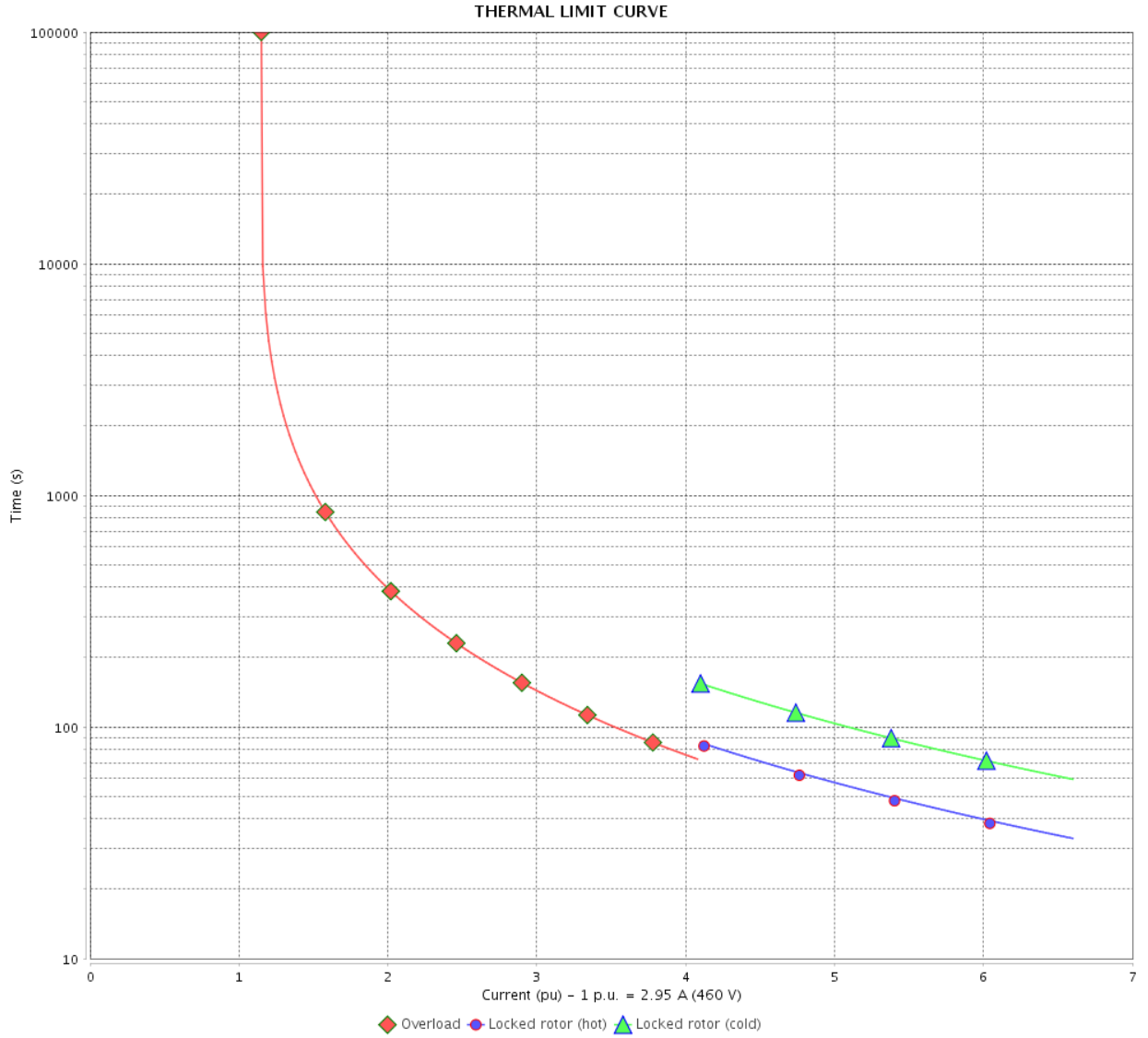


# THERMAL LIMIT CURVE

Three Phase Induction Motor - Squirrel Cage



Customer : \_\_\_\_\_



Rev.	Changes Summary	Performed	Checked	Date
Performed by				
Checked by				
Date				
		Page	Revision	
		9 / 16		

# THERMAL LIMIT CURVE



## Three Phase Induction Motor - Squirrel Cage

Customer :

Product line : JP Pump NEMA Premium  
Efficiency Three-Phase

Product code : 12682733

Catalog # : 00212OT3E184JP-S

Performance : 190/380 V 50 Hz 6P

Rated current : 6.96/3.48 A  
LRC : 5.1  
Rated torque : 11.1 ft.lb  
Locked rotor torque : 160 %  
Breakdown torque : 220 %  
Rated speed : 945 rpm

Moment of inertia (J) : 0.2800 sq.ft.lb  
Duty cycle : Cont.(S1)  
Insulation class : F  
Service factor : 1.00  
Temperature rise : 105 K  
Design : B

Heating constant

Cooling constant

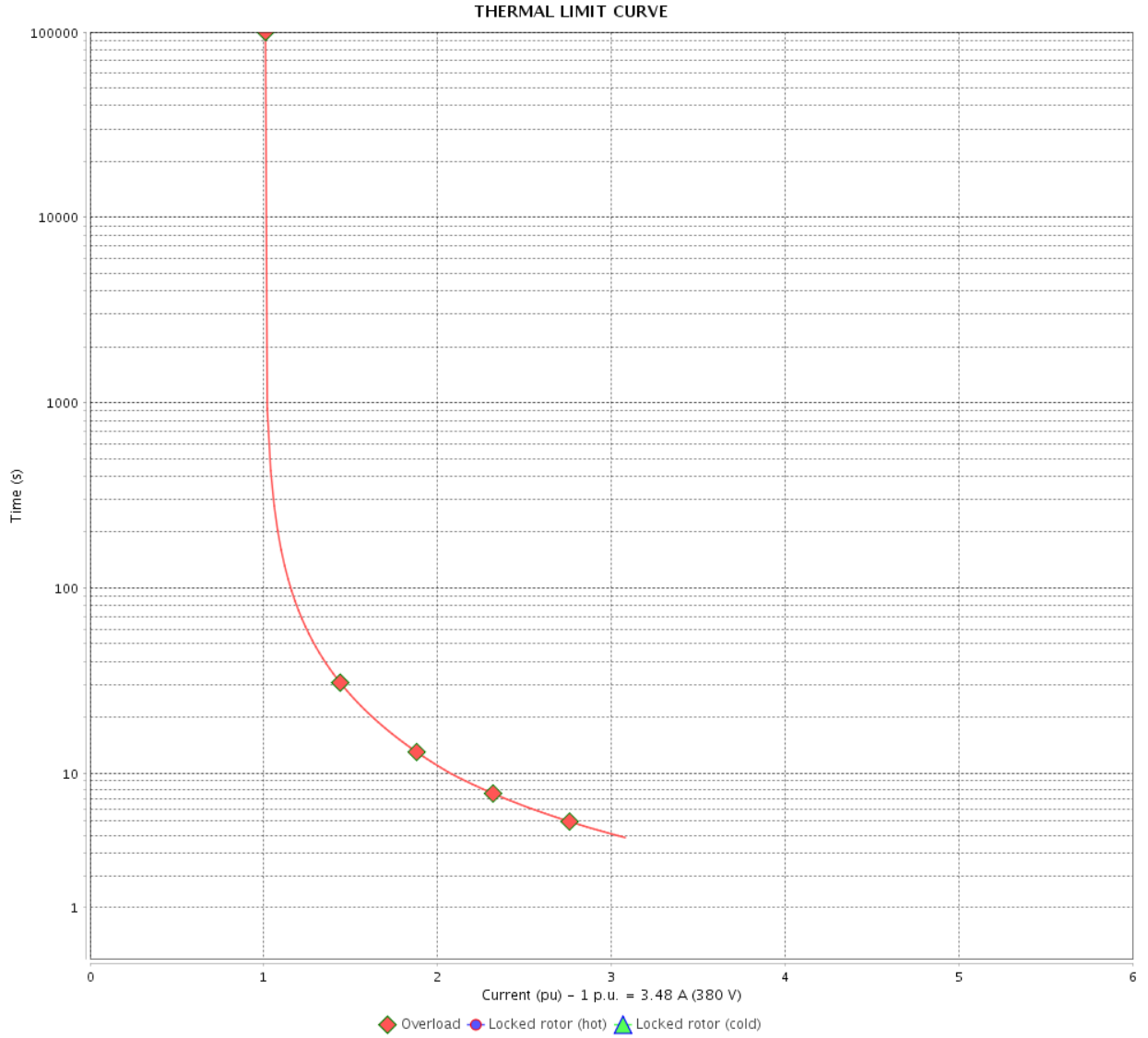
Rev.	Changes Summary	Performed	Checked	Date
Performed by			Page 10 / 16	Revision
Checked by				
Date	14/04/2022			

# THERMAL LIMIT CURVE

Three Phase Induction Motor - Squirrel Cage



Customer : \_\_\_\_\_



Rev.	Changes Summary	Performed	Checked	Date
Performed by		Page		Revision
Checked by		11 / 16		
Date		14/04/2022		

# THERMAL LIMIT CURVE



## Three Phase Induction Motor - Squirrel Cage

Customer :

Product line : JP Pump NEMA Premium  
Efficiency Three-Phase

Product code : 12682733

Catalog # : 00212OT3E184JP-S

Performance : 220/415 V 50 Hz 6P

Rated current : 6.41/3.40 A  
LRC : 5.7  
Rated torque : 11.1 ft.lb  
Locked rotor torque : 190 %  
Breakdown torque : 250 %  
Rated speed : 950 rpm

Moment of inertia (J) : 0.2800 sq.ft.lb  
Duty cycle : Cont.(S1)  
Insulation class : F  
Service factor : 1.00  
Temperature rise : 80 K  
Design : B

Heating constant

Cooling constant

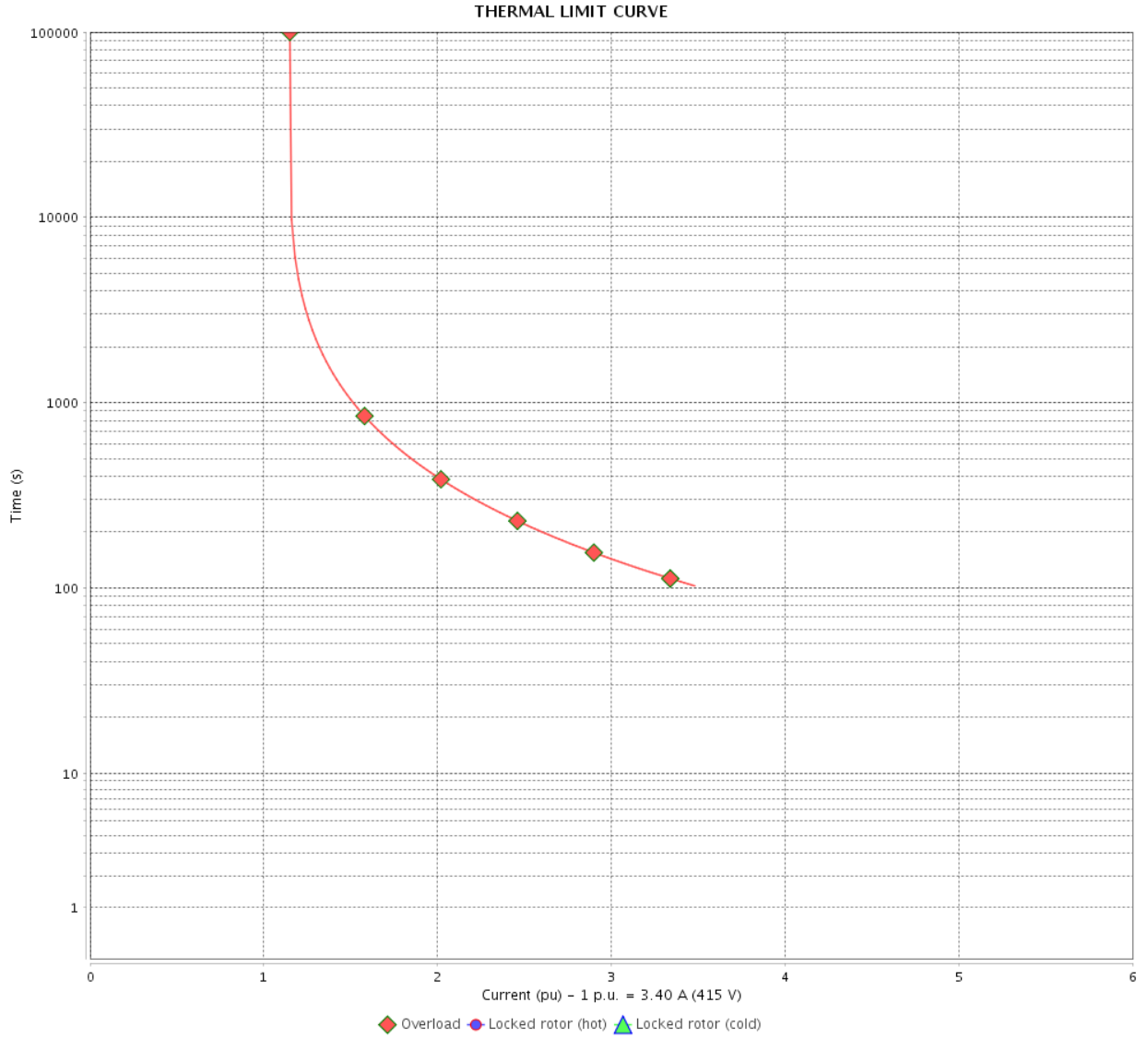
Rev.	Changes Summary	Performed	Checked	Date
Performed by				
Checked by			Page	Revision
Date	14/04/2022		12 / 16	

# THERMAL LIMIT CURVE

Three Phase Induction Motor - Squirrel Cage



Customer : \_\_\_\_\_



Rev.	Changes Summary	Performed	Checked	Date
Performed by		Page		Revision
Checked by		13 / 16		
Date		14/04/2022		

# VFD OPERATION CURVE

Three Phase Induction Motor - Squirrel Cage



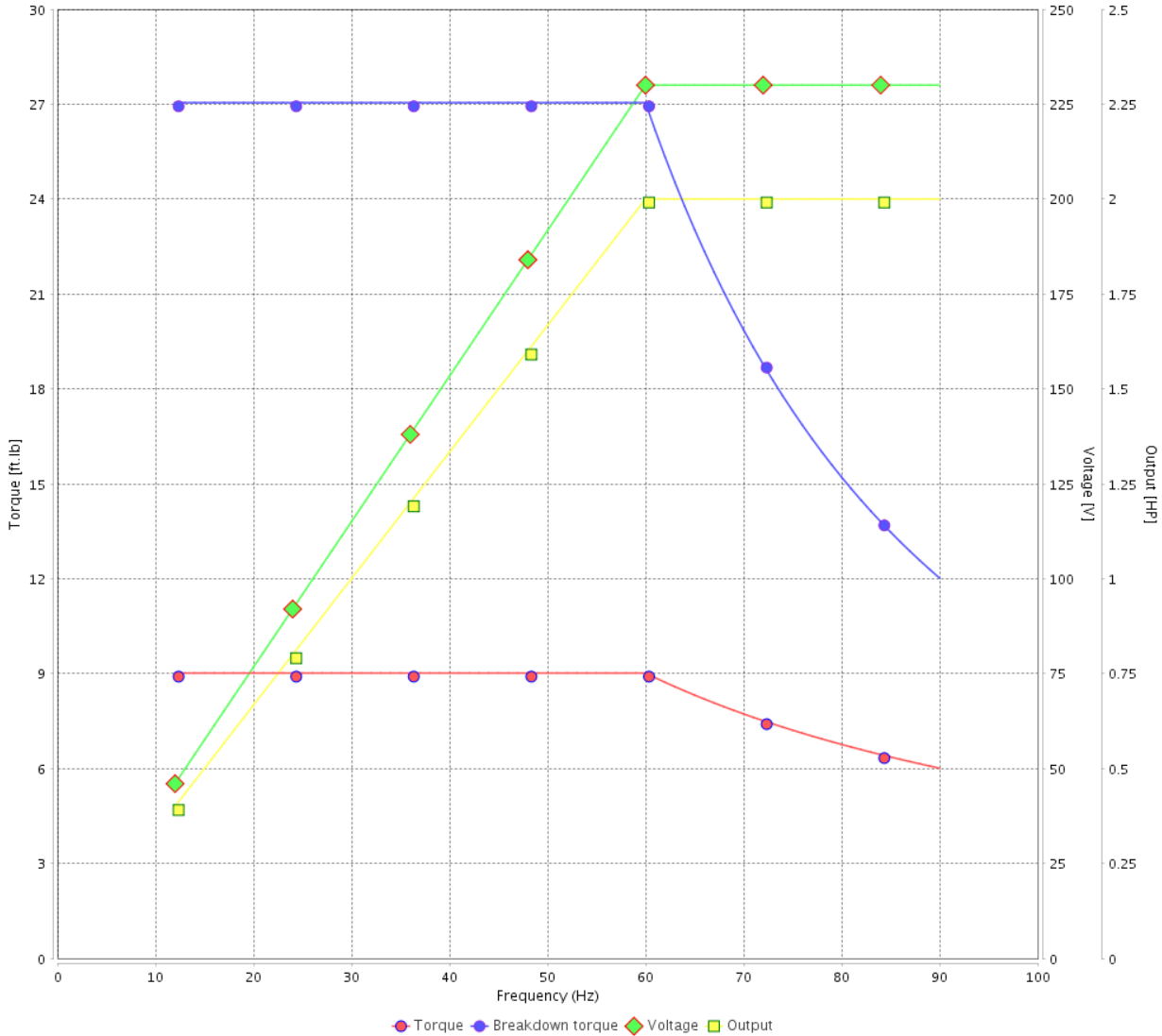
Customer :

Product line : JP Pump NEMA Premium Efficiency Three-Phase

Product code : 12682733

Catalog # : 002120T3E184JP-S

VFD OPERATION CURVE



Performance : 230/460 V 60 Hz 6P

Rated current : 5.90/2.95 A  
 LRC : 6.6  
 Rated torque : 9.02 ft.lb  
 Locked rotor torque : 200 %  
 Breakdown torque : 300 %  
 Rated speed : 1165 rpm

Moment of inertia (J) : 0.2800 sq.ft.lb  
 Duty cycle : Cont.(S1)  
 Insulation class : F  
 Service factor : 1.15  
 Temperature rise : 80 K  
 Design : B

Rev.	Changes Summary	Performed	Checked	Date
Performed by		Page		Revision
Checked by		14 / 16		
Date	14/04/2022			

# VFD OPERATION CURVE

## Three Phase Induction Motor - Squirrel Cage

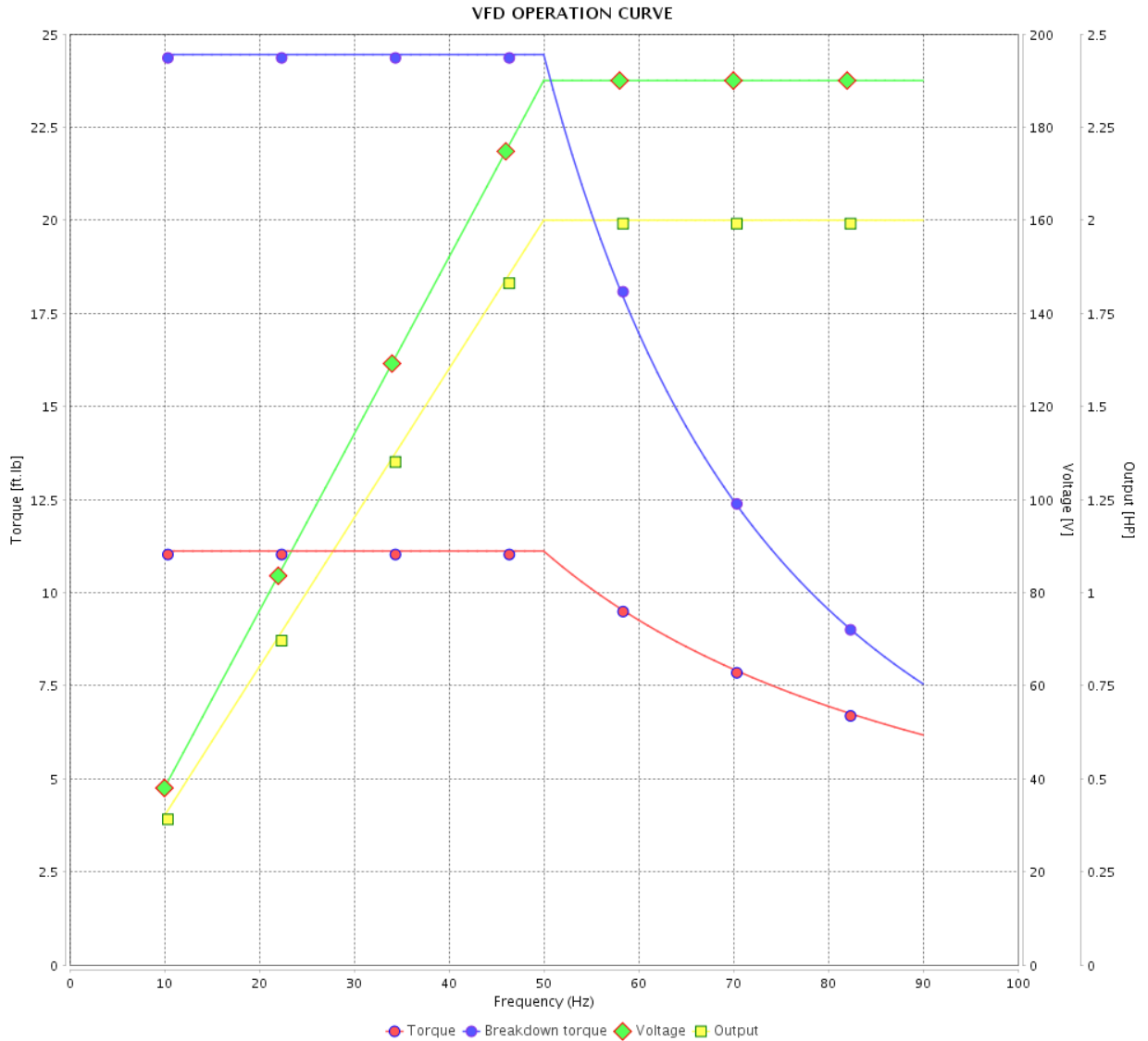


Customer :

Product line : JP Pump NEMA Premium  
Efficiency Three-Phase

Product code : 12682733

Catalog # : 002120T3E184JP-S



Performance : 190/380 V 50 Hz 6P

Rated current : 6.96/3.48 A  
 LRC : 5.1  
 Rated torque : 11.1 ft.lb  
 Locked rotor torque : 160 %  
 Breakdown torque : 220 %  
 Rated speed : 945 rpm

Moment of inertia (J) : 0.2800 sq.ft.lb  
 Duty cycle : Cont.(S1)  
 Insulation class : F  
 Service factor : 1.00  
 Temperature rise : 105 K  
 Design : B

Rev.	Changes Summary	Performed	Checked	Date
Performed by			Page	Revision
Checked by			15 / 16	
Date	14/04/2022			

# VFD OPERATION CURVE

Three Phase Induction Motor - Squirrel Cage



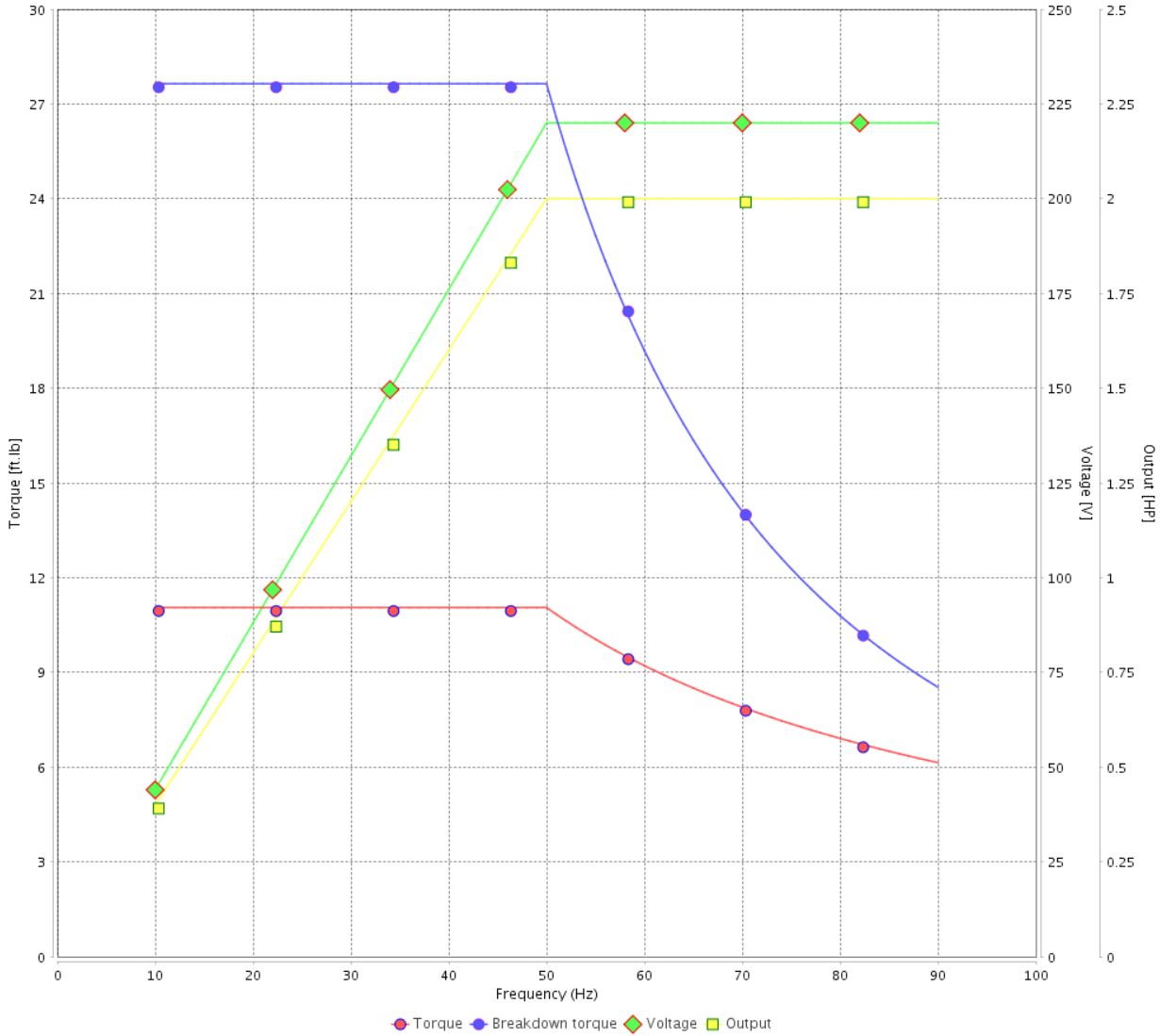
Customer :

Product line : JP Pump NEMA Premium Efficiency Three-Phase

Product code : 12682733

Catalog # : 002120T3E184JP-S

VFD OPERATION CURVE



Performance : 220/415 V 50 Hz 6P

Rated current : 6.41/3.40 A  
 LRC : 5.7  
 Rated torque : 11.1 ft.lb  
 Locked rotor torque : 190 %  
 Breakdown torque : 250 %  
 Rated speed : 950 rpm

Moment of inertia (J) : 0.2800 sq.ft.lb  
 Duty cycle : Cont.(S1)  
 Insulation class : F  
 Service factor : 1.00  
 Temperature rise : 80 K  
 Design : B

Rev.	Changes Summary	Performed	Checked	Date
Performed by			Page	Revision
Checked by				
Date				



1 2 3 4 5 6

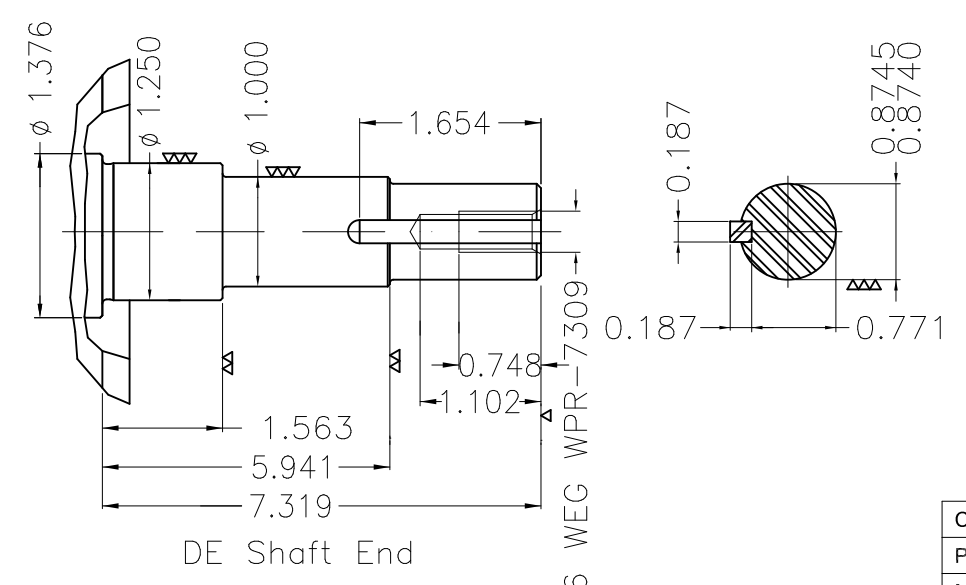
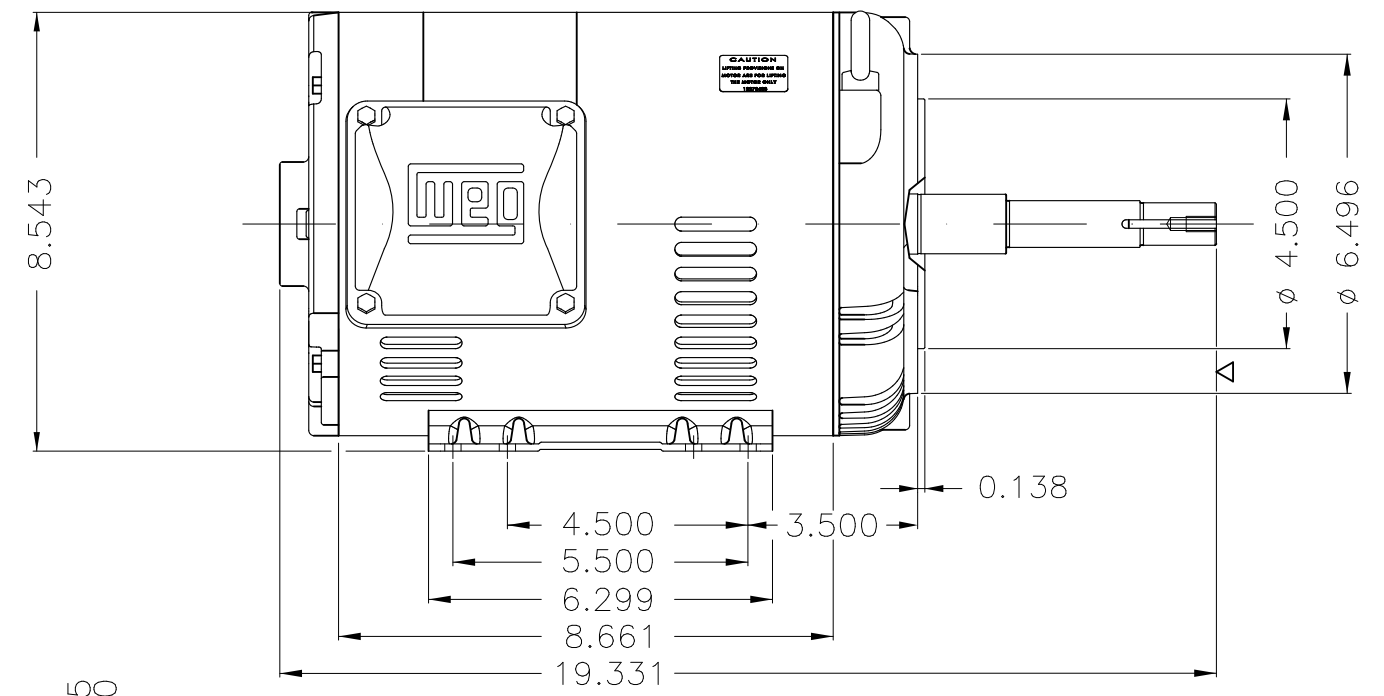
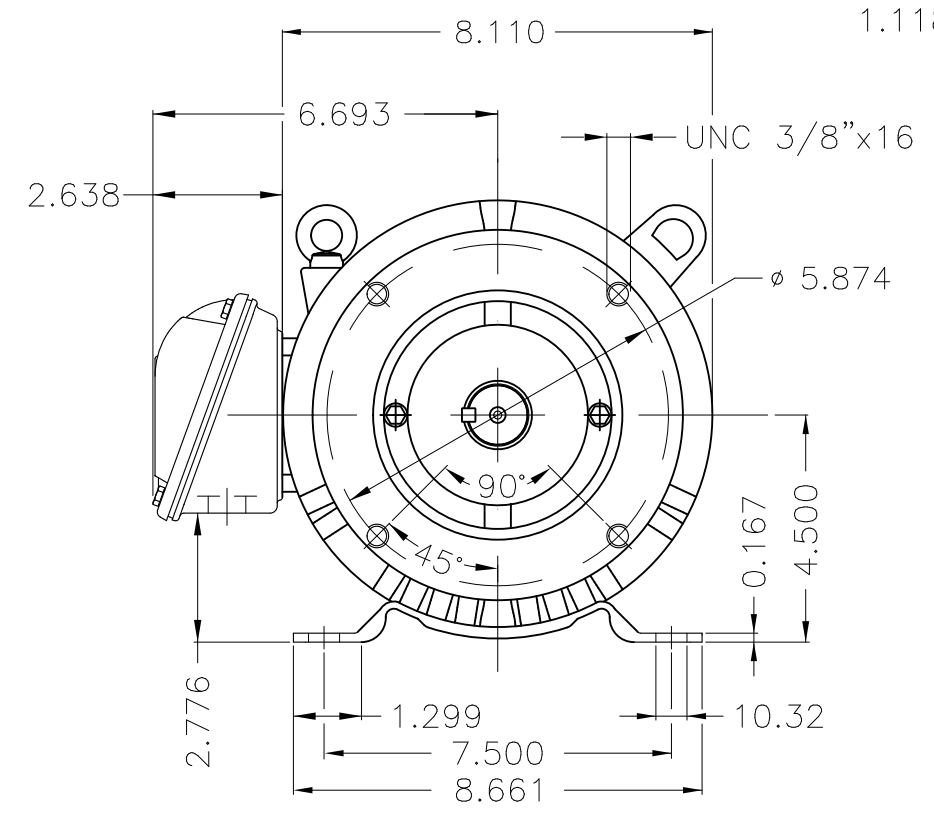
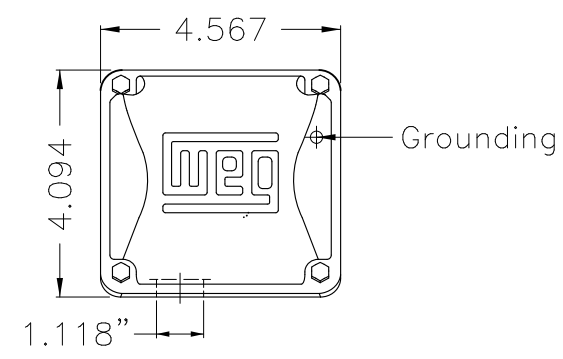
A

B

C

D

E



EUNC 3/8"-16 WEG WPR-7309

DE Shaft End

Color Munsell N 1 matte black  
 Painting plan 207N  
 Mounting F-1/B34R(D)

ECM	LOC	SUMMARY OF MODIFICATIONS	EXECUTED	CHECKED	RELEASED	DATE	VER
EXECUTED	PIRWBUSER	THREE PH. MOTOR ROLLED STEEL CLOSE COUPLED PUMP JP 3/4 DE PRELIMET					
CHECKED		FRAME 182/4JP IP21 ODP					
RELEASED							
REL DT.	WMO	Jaragua do Sul	Product Engineering	WDD	SHEET	1 / 1	

2 HP 06 Poles 60 Hz

