

DATA SHEET



Three Phase Induction Motor - Squirrel Cage

Customer :																			
Product line	: NEMA Premium Efficiency Three-Phase																		
Product code :	11432602																		
Catalog # :	00212ST3HIE184T-W22																		
Frame : 182/4T Output : 2 HP (1.5 kW) Poles : 6 Frequency : 60 Hz Rated voltage : 575 V Rated current : 2.58 A L. R. Amperes : 19.3 A LRC : 7.5x(Code L) No load current : 1.52 A Rated speed : 1170 rpm Slip : 2.50 % Rated torque : 8.98 ft.lb Locked rotor torque : 300 % Breakdown torque : 350 % Insulation class : F Service factor : 1.25 Moment of inertia (J) : 0.6210 sq.ft.lb Design : B	Locked rotor time : 55s (cold) 31s (hot) Temperature rise : 80 K Duty cycle : Cont.(S1) Ambient temperature : -20°C to +40°C Altitude : 1000 m.a.s.l. Protection degree : IP55 Cooling method : IC411 - TEFC Mounting : F-1 Rotation ¹ : Both (CW and CCW) Noise level ² : 52.0 dB(A) Starting method : Direct On Line Approx. weight ³ : 109 lb																		
Output	25% 50% 75% 100%																		
Efficiency (%)	85.4 86.5 87.5 88.5																		
Power Factor	0.26 0.46 0.58 0.66																		
Foundation loads																			
Max. traction	: 146 lb																		
Max. compression	: 255 lb																		
	<table border="0"> <tr> <td></td> <td style="text-align: center;"><u>Drive end</u></td> <td style="text-align: center;"><u>Non drive end</u></td> </tr> <tr> <td>Bearing type</td> <td>: 6207 C3</td> <td>6206 C3</td> </tr> <tr> <td>Sealing</td> <td>: Inpro/Seal</td> <td>Inpro/Seal</td> </tr> <tr> <td>Lubrication interval</td> <td>: 20000 h</td> <td>20000 h</td> </tr> <tr> <td>Lubricant amount</td> <td>: 7 g</td> <td>5 g</td> </tr> <tr> <td>Lubricant type</td> <td colspan="2" style="text-align: center;">Mobil Polyrex EM</td> </tr> </table>		<u>Drive end</u>	<u>Non drive end</u>	Bearing type	: 6207 C3	6206 C3	Sealing	: Inpro/Seal	Inpro/Seal	Lubrication interval	: 20000 h	20000 h	Lubricant amount	: 7 g	5 g	Lubricant type	Mobil Polyrex EM	
	<u>Drive end</u>	<u>Non drive end</u>																	
Bearing type	: 6207 C3	6206 C3																	
Sealing	: Inpro/Seal	Inpro/Seal																	
Lubrication interval	: 20000 h	20000 h																	
Lubricant amount	: 7 g	5 g																	
Lubricant type	Mobil Polyrex EM																		
Notes																			
This revision replaces and cancel the previous one, which must be eliminated. (1) Looking the motor from the shaft end. (2) Measured at 1m and with tolerance of +3dB(A). (3) Approximate weight subject to changes after manufacturing process. (4) At 100% of full load.																			
These are average values based on tests with sinusoidal power supply, subject to the tolerances stipulated in NEMA MG-1.																			
Rev.	Changes Summary	Performed	Checked	Date															
Performed by																			
Checked by			Page	Revision															
Date	14/04/2022		1 / 6																

TORQUE AND CURRENT VS SPEED CURVE

Three Phase Induction Motor - Squirrel Cage



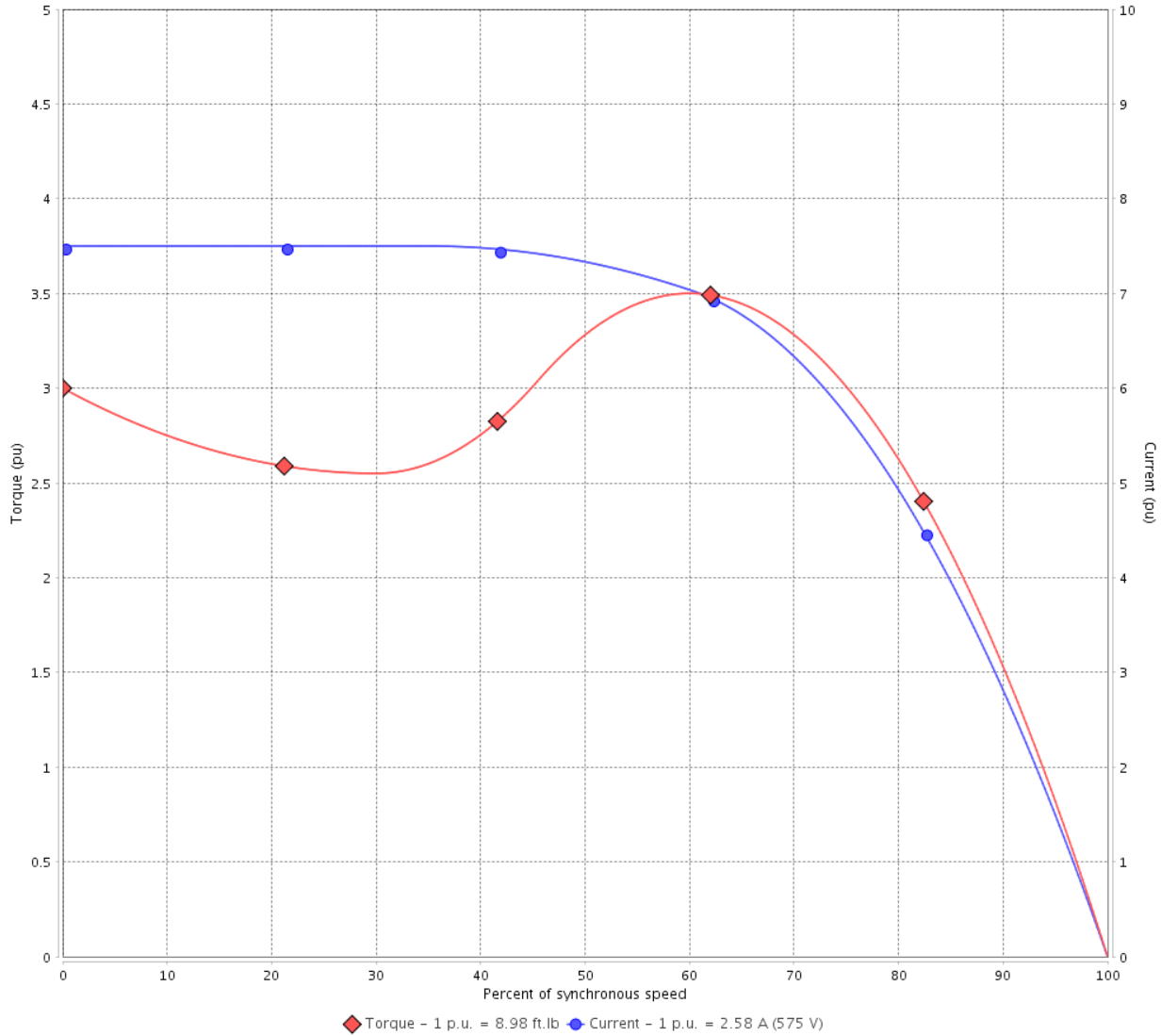
Customer :

Product line : NEMA Premium Efficiency Three-Phase

Product code : 11432602

Catalog # : 00212ST3HIE184T-W22

TORQUE AND CURRENT VS SPEED CURVE



Performance : 575 V 60 Hz 6P

Rated current	: 2.58 A	Moment of inertia (J)	: 0.6210 sq.ft.lb
LRC	: 7.5	Duty cycle	: Cont.(S1)
Rated torque	: 8.98 ft.lb	Insulation class	: F
Locked rotor torque	: 300 %	Service factor	: 1.25
Breakdown torque	: 350 %	Temperature rise	: 80 K
Rated speed	: 1170 rpm	Design	: B

Locked rotor time : 55s (cold) 31s (hot)

Rev.	Changes Summary	Performed	Checked	Date
Performed by			Page 2 / 6	Revision
Checked by				
Date	14/04/2022			

LOAD PERFORMANCE CURVE

Three Phase Induction Motor - Squirrel Cage

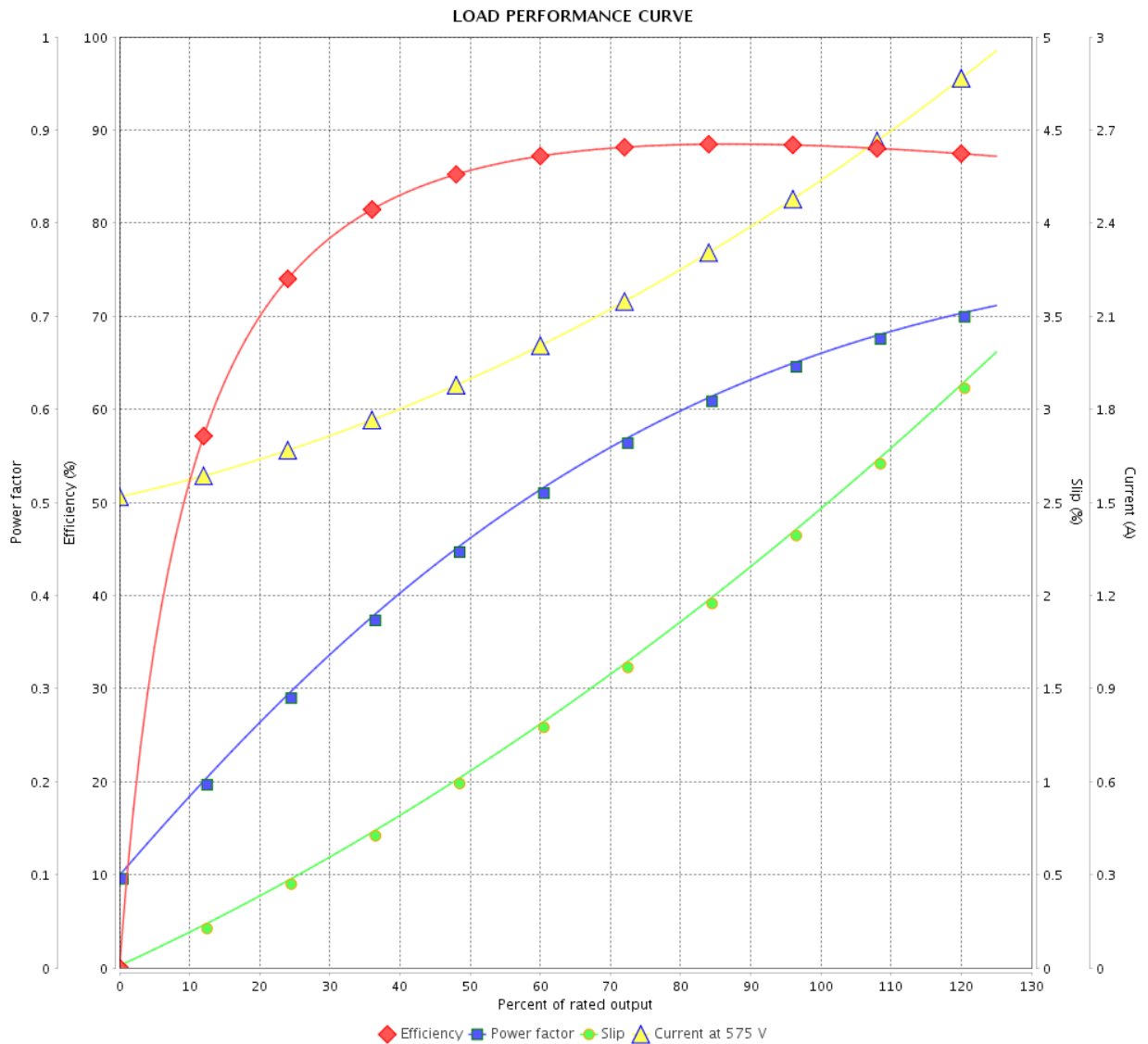


Customer :

Product line : NEMA Premium Efficiency Three-Phase

Product code : 11432602

Catalog # : 00212ST3HIE184T-W22



Performance : 575 V 60 Hz 6P

Rated current : 2.58 A
 LRC : 7.5
 Rated torque : 8.98 ft.lb
 Locked rotor torque : 300 %
 Breakdown torque : 350 %
 Rated speed : 1170 rpm

Moment of inertia (J) : 0.6210 sq.ft.lb
 Duty cycle : Cont.(S1)
 Insulation class : F
 Service factor : 1.25
 Temperature rise : 80 K
 Design : B

Rev.	Changes Summary	Performed	Checked	Date
Performed by			Page	Revision
Checked by			3 / 6	
Date	14/04/2022			

THERMAL LIMIT CURVE

Three Phase Induction Motor - Squirrel Cage



Customer :

Product line : NEMA Premium Efficiency Three-Phase

Product code : 11432602

Catalog # : 00212ST3HIE184T-W22

Performance : 575 V 60 Hz 6P

Rated current : 2.58 A
LRC : 7.5
Rated torque : 8.98 ft.lb
Locked rotor torque : 300 %
Breakdown torque : 350 %
Rated speed : 1170 rpm

Moment of inertia (J) : 0.6210 sq.ft.lb
Duty cycle : Cont.(S1)
Insulation class : F
Service factor : 1.25
Temperature rise : 80 K
Design : B

Heating constant

Cooling constant

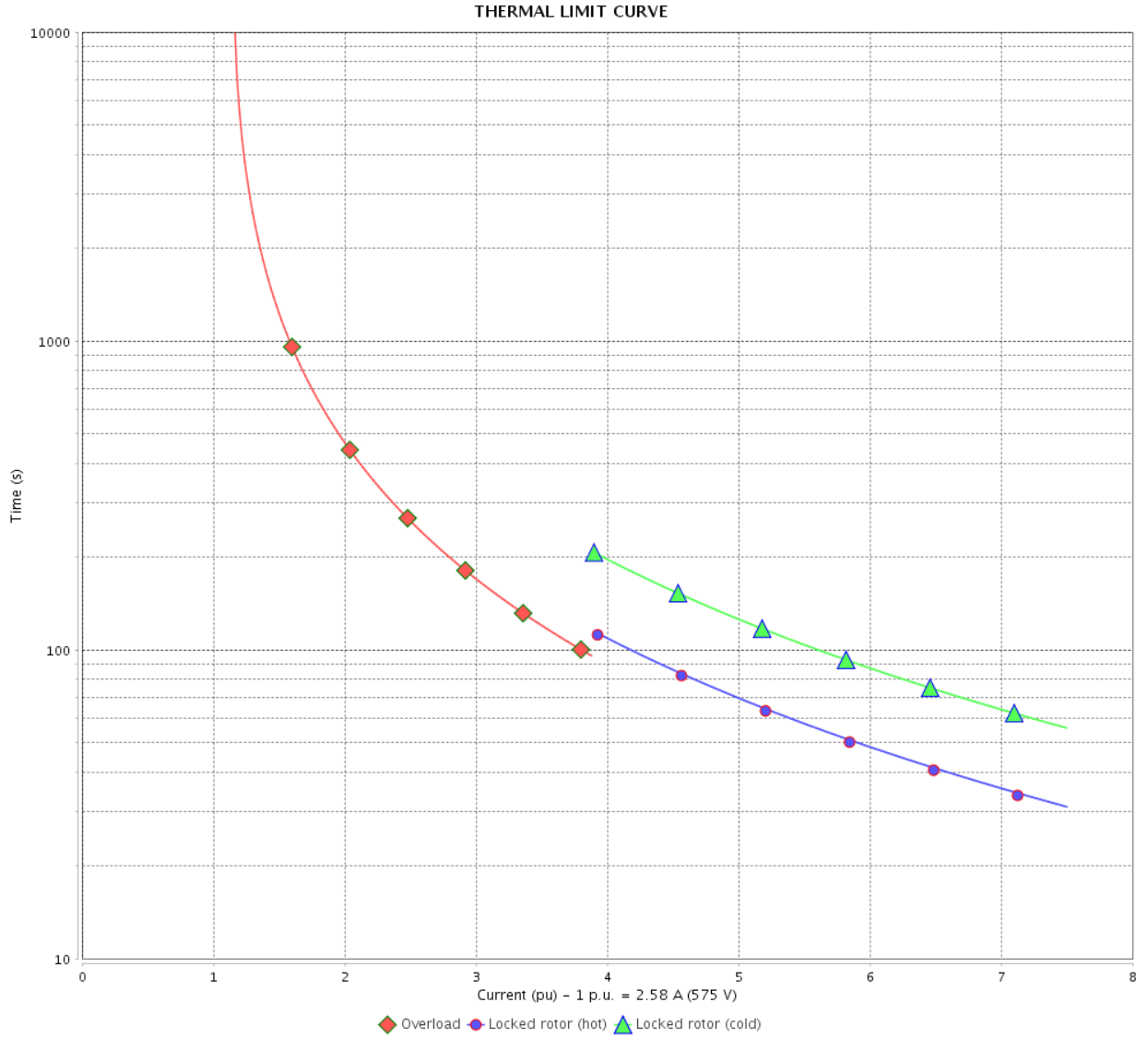
Rev.	Changes Summary	Performed	Checked	Date
Performed by				
Checked by			Page	Revision
Date	14/04/2022		4 / 6	

THERMAL LIMIT CURVE

Three Phase Induction Motor - Squirrel Cage



Customer : _____



Rev.	Changes Summary	Performed	Checked	Date
Performed by		Page 5 / 6		Revision
Checked by				
Date				

VFD OPERATION CURVE

Three Phase Induction Motor - Squirrel Cage



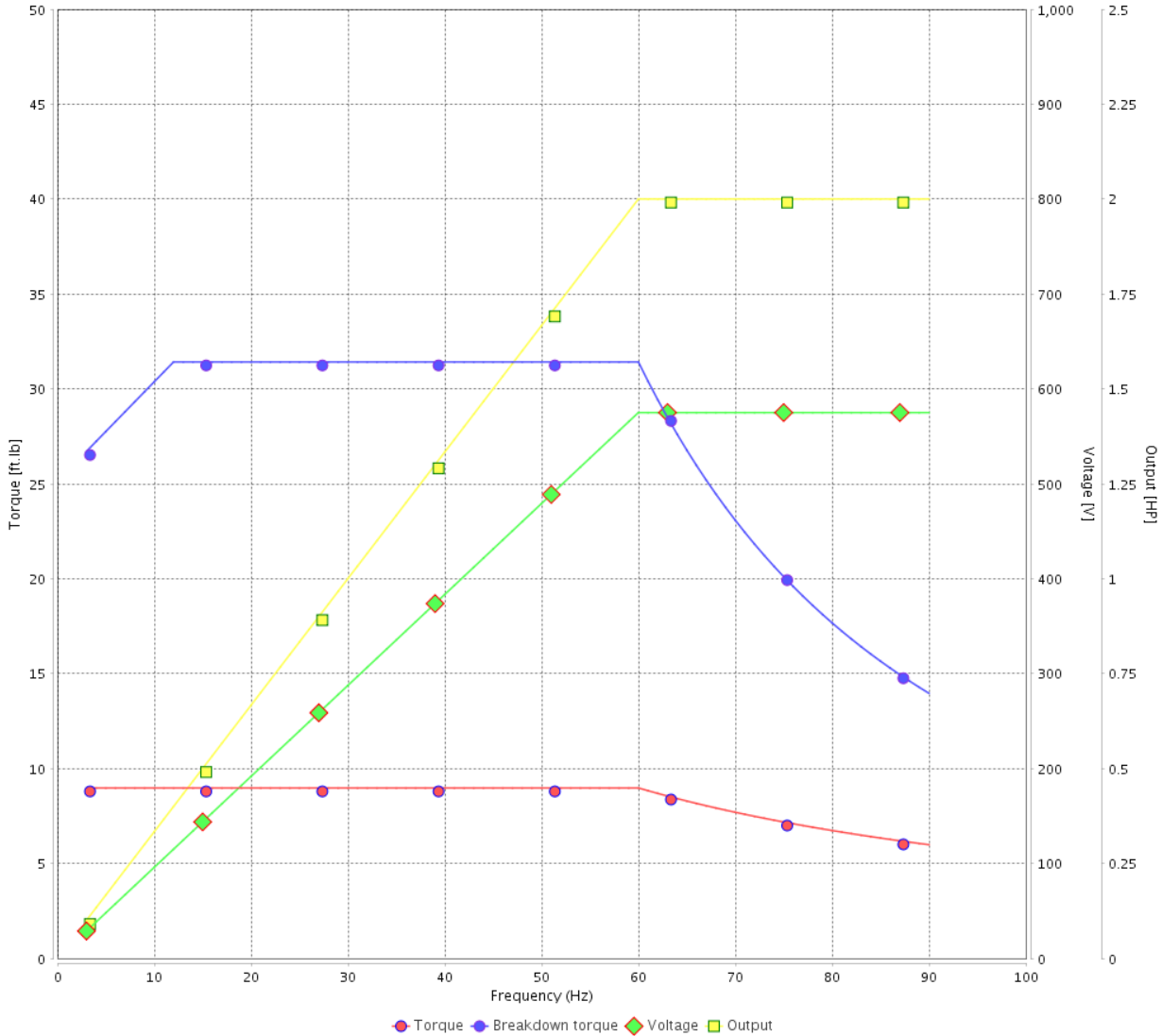
Customer :

Product line : NEMA Premium Efficiency Three-Phase

Product code : 11432602

Catalog # : 00212ST3HIE184T-W22

VFD OPERATION CURVE



Performance : 575 V 60 Hz 6P

Rated current : 2.58 A
 LRC : 7.5
 Rated torque : 8.98 ft.lb
 Locked rotor torque : 300 %
 Breakdown torque : 350 %
 Rated speed : 1170 rpm

Moment of inertia (J) : 0.6210 sq.ft.lb
 Duty cycle : Cont.(S1)
 Insulation class : F
 Service factor : 1.25
 Temperature rise : 80 K
 Design : B

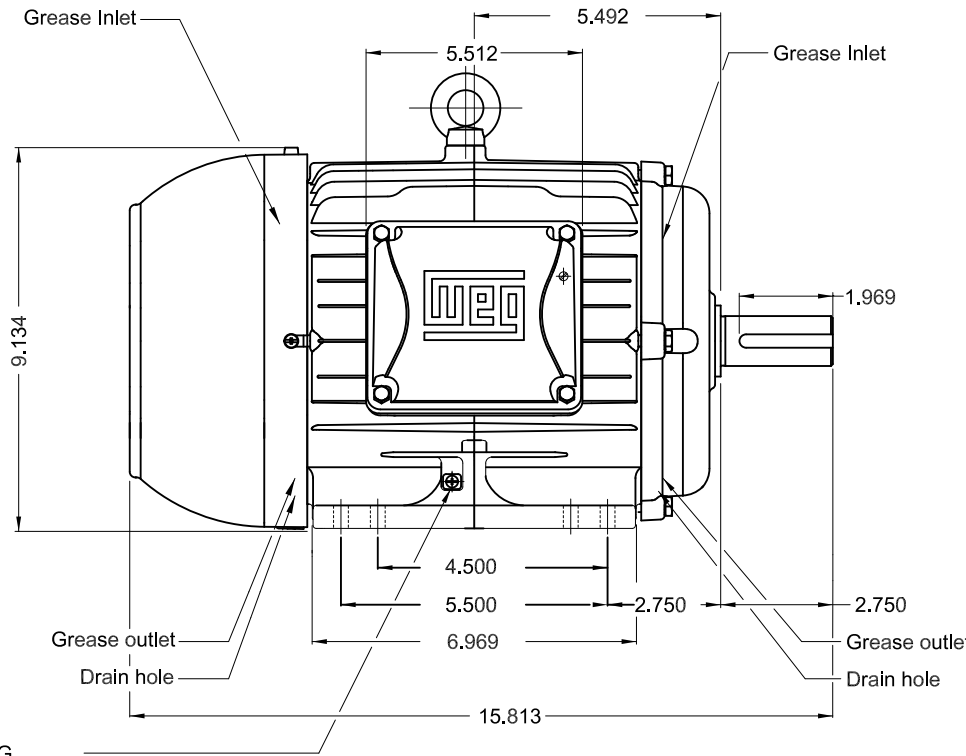
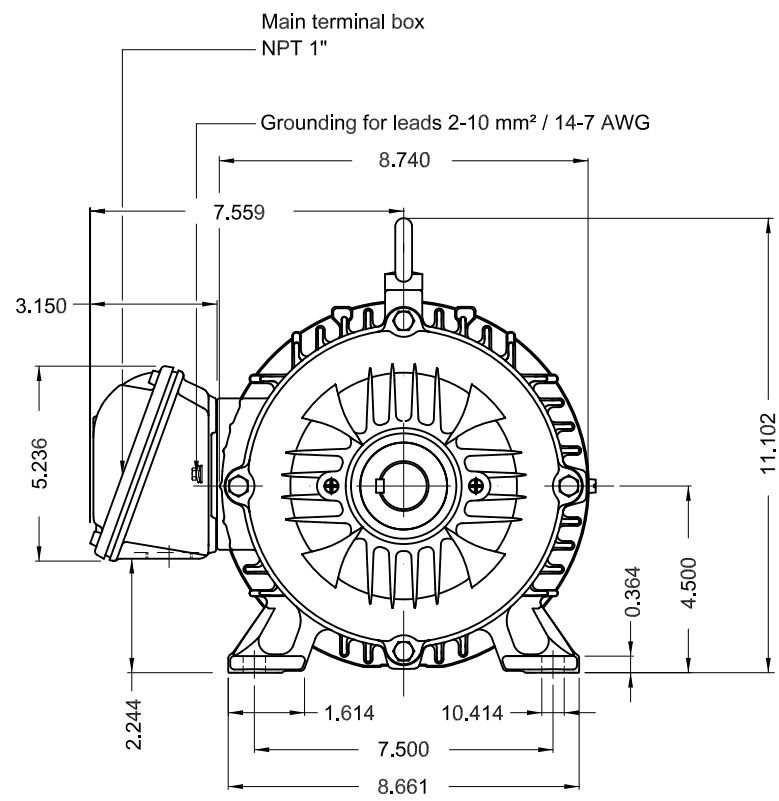
Rev.	Changes Summary	Performed	Checked	Date
Performed by			Page	Revision
Checked by				
Date				

1 2 3 4 5 6

A

B

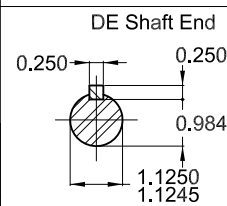
C



Grounding for leads 2-10 mm² / 14-7 AWG

D

E



Color RAL 5009
Painting plan 202E
Mounting B3R(D)

2 HP 06 Poles 60 Hz

A

ECM	LOC	SUMMARY OF MODIFICATIONS	EXECUTED	CHECKED	RELEASED	DATE	VER
EXECUTED	PIRWBUSER	THREE PH. MOTOR IEEE 841 W22 PREM. EFF.					
CHECKED		FRAME 182/4T IP55 TEFC					
RELEASED							
REL DT.	WMO	Jaragua do Sul	Product Engineering	SHEET	1 / 1		

PREVIEW
WDD



Dimensions in inches

XME A3

MADE IN BRAZIL
11432602



NEMA
Premium



Class I, Div 2, Gr A, B, C and D - T3
Class I, Zone 2, IIC - T3
Class II, Div 2, Gr F and G - T5
For use on PWM: Gr. A, B, C, D, F and G,
VT 1000:1, CT 20:1, 1.00SF - T4A

MODEL 00212ST3HIE184T-W22

Inverter Duty Motor
Severe Duty

IEEE
841-2009



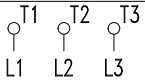
FOR SAFE AREA
Mod. TE1BFOXON
CC029A

PH3 60Hz Fr. 182/4T 1000m.a.s.l. IP55 TEFC 117lb

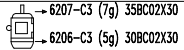
V 575
HP 2.0
SF 1.25
RPM 1170
AMB 40°C
DUTY CONT.

A 2.58
kW 1.5
SFA 3.23
PF 0.66
INS cl. F DT80K
DES B Code L

NEMA NOM EFF 88.5%
GUARANT. EFF 86.5%



575V



MOBIL POLYREX EM (20000h)