

DATA SHEET

Three Phase Induction Motor - Squirrel Cage



Customer :		
Product line	: NEMA Premium Efficiency Three-Phase	
Product code :	14788822	
Catalog # :	00218ET3ER145TC-S	
Frame	: 143/5TC	
Insulation class	: F	
Duty cycle	: Cont.(S1)	
Ambient temperature	: -20°C to +40°C	
Altitude	: 1000 m.a.s.l.	
Protection degree	: IP55	
Design	: B	
Cooling method	: IC411 - TEFC	
Mounting	: W-6	
Rotation ¹	: Both (CW and CCW)	
Starting method	: Direct On Line	
Approx. weight ²	: 43.0 lb	
Moment of inertia (J)	: 0.1296 sq.ft.lb	
Output [HP]	2	
Poles	4	
Frequency [Hz]	60	
Rated voltage [V]	230/460	
Rated current [A]	5.44/2.72	
L. R. Amperes [A]	44.6/22.3	
LRC [A]	8.2x(Code K)	
No load current [A]	2.80/1.40	
Rated speed [RPM]	1745	
Slip [%]	3.06	
Rated torque [ft.lb]	6.02	
Locked rotor torque [%]	270	
Breakdown torque [%]	300	
Service factor	1.00	
Temperature rise	80 K	
Locked rotor time	27s (cold) 15s (hot)	
Noise level ²	52.0 dB(A)	
Efficiency (%)	25%	86.0
	50%	85.5
	75%	87.5
	100%	86.5
Power Factor	25%	0.35
	50%	0.60
	75%	0.73
	100%	0.80
Bearing type	: <u>Drive end</u> 6205 ZZ <u>Non drive end</u> 6203 ZZ	
Sealing	: V'Ring Without Bearing Seal	
Lubrication interval	: - -	
Lubricant amount	: - -	
Lubricant type	: Mobil Polyrex EM	
Foundation loads	Max. traction : 152 lb	
	Max. compression : 195 lb	
Notes USABLE @208V 6.02A SF 1.00 SFA 6.02A		
This revision replaces and cancel the previous one, which must be eliminated. (1) Looking the motor from the shaft end. (2) Measured at 1m and with tolerance of +3dB(A). (3) Approximate weight subject to changes after manufacturing process. (4) At 100% of full load.		
These are average values based on tests with sinusoidal power supply, subject to the tolerances stipulated in NEMA MG-1.		
Rev.	Changes Summary	
Performed by	Performed	
Checked by	Checked	
Date	Date	
13/04/2022		
Page	Revision	
1 / 16		

TORQUE AND CURRENT VS SPEED CURVE

Three Phase Induction Motor - Squirrel Cage



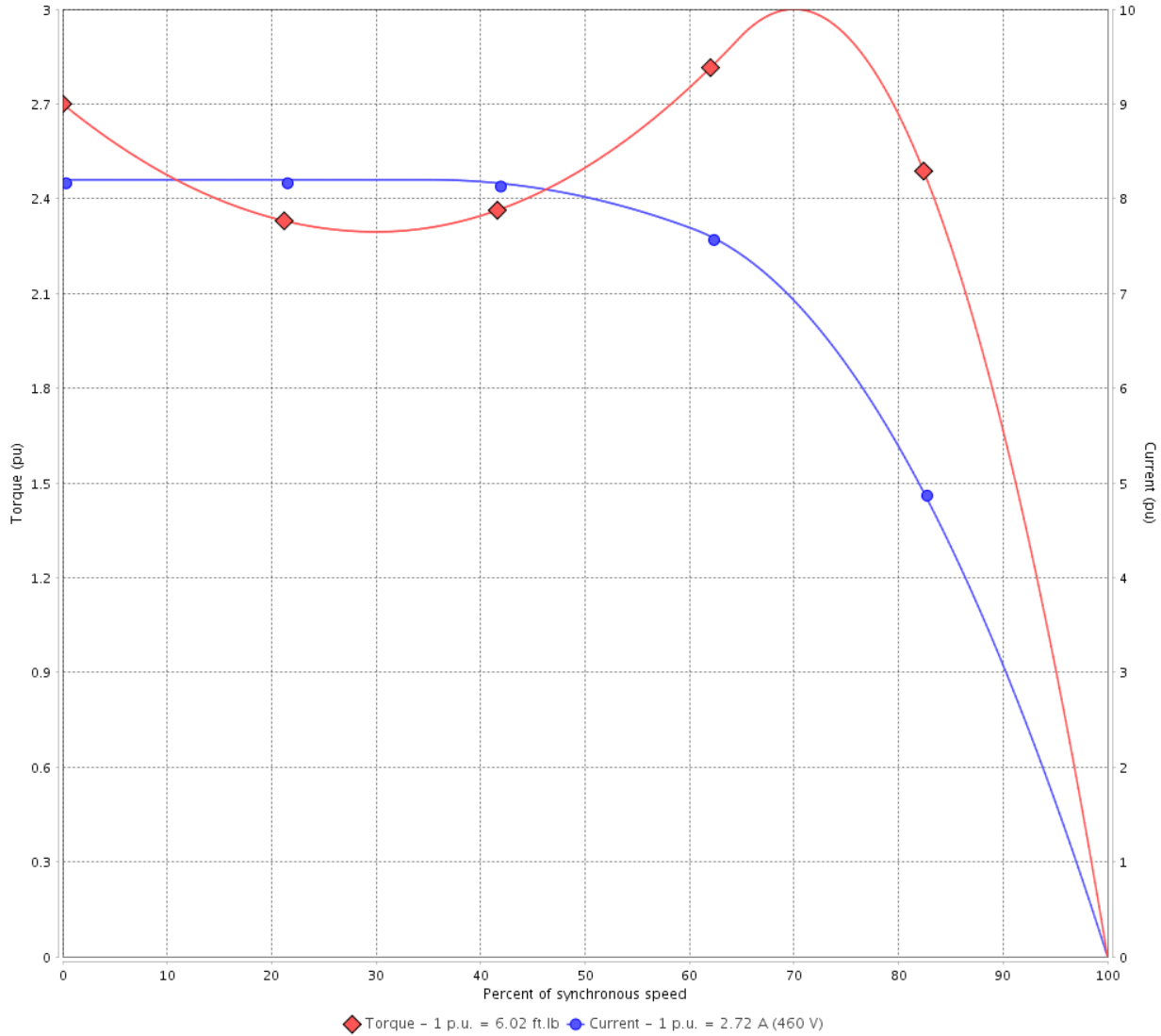
Customer :

Product line : NEMA Premium Efficiency Three-Phase

Product code : 14788822

Catalog # : 00218ET3ER145TC-S

TORQUE AND CURRENT VS SPEED CURVE



Performance : 230/460 V 60 Hz 4P

Rated current	: 5.44/2.72 A	Moment of inertia (J)	: 0.1296 sq.ft.lb
LRC	: 8.2	Duty cycle	: Cont.(S1)
Rated torque	: 6.02 ft.lb	Insulation class	: F
Locked rotor torque	: 270 %	Service factor	:
Breakdown torque	: 300 %	Temperature rise	: 80 K
Rated speed	: 1745 rpm	Design	: B

Locked rotor time : 27s (cold) 15s (hot)

Rev.	Changes Summary	Performed	Checked	Date
Performed by			Page 2 / 16	Revision
Checked by				
Date	13/04/2022			

TORQUE AND CURRENT VS SPEED CURVE



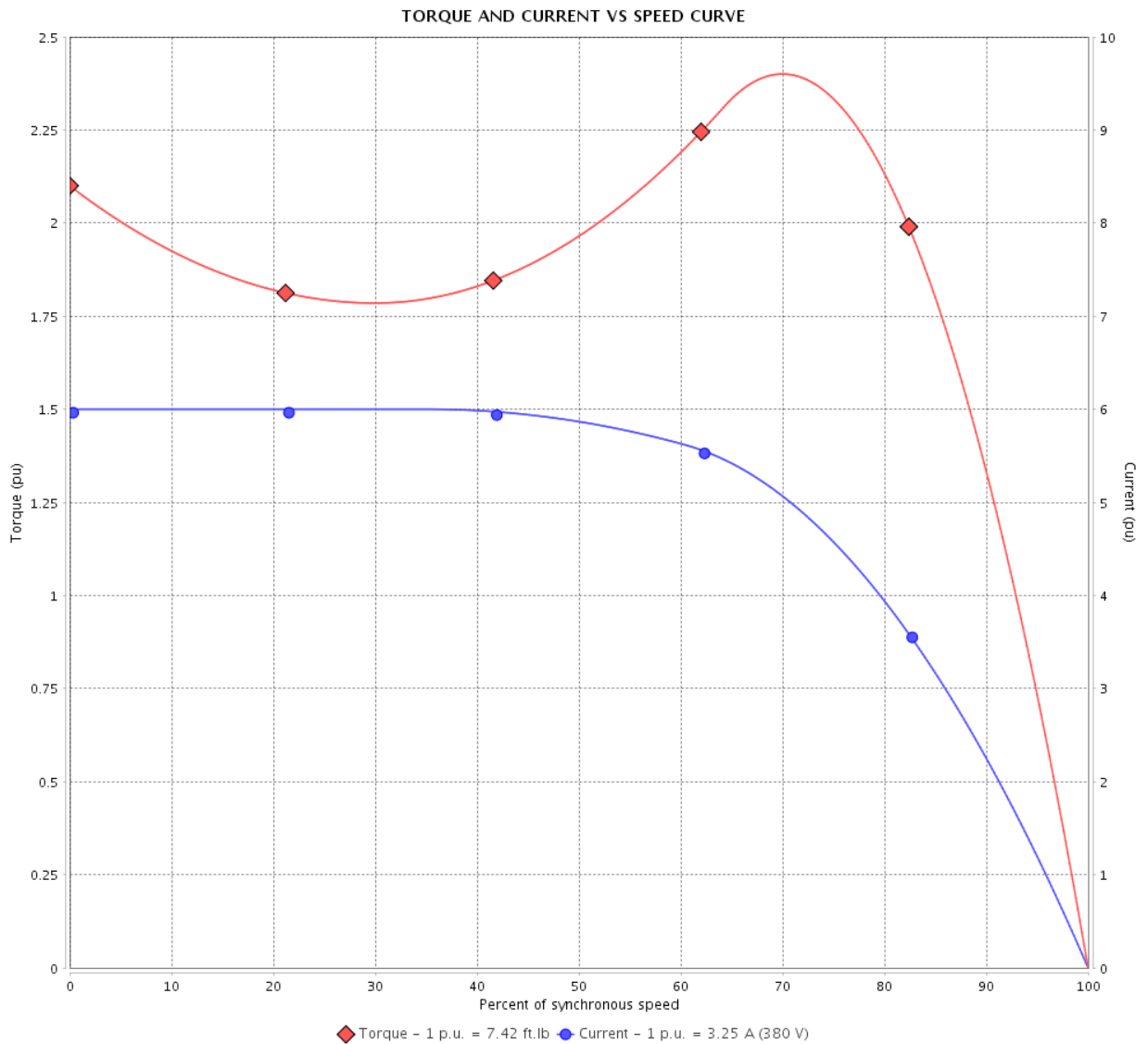
Three Phase Induction Motor - Squirrel Cage

Customer :

Product line : NEMA Premium Efficiency Three-Phase

Product code : 14788822

Catalog # : 00218ET3ER145TC-S



Performance : 190/380 V 50 Hz 4P

Rated current : 6.50/3.25 A
 LRC : 6.0
 Rated torque : 7.42 ft.lb
 Locked rotor torque : 210 %
 Breakdown torque : 240 %
 Rated speed : 1415 rpm

Moment of inertia (J) : 0.1296 sq.ft.lb
 Duty cycle : Cont.(S1)
 Insulation class : F
 Service factor : 1.00
 Temperature rise : 105 K
 Design : B

Locked rotor time : 0s (cold) 0s (hot)

Rev.	Changes Summary	Performed	Checked	Date
Performed by			Page 3 / 16	Revision
Checked by				
Date	13/04/2022			

TORQUE AND CURRENT VS SPEED CURVE

Three Phase Induction Motor - Squirrel Cage



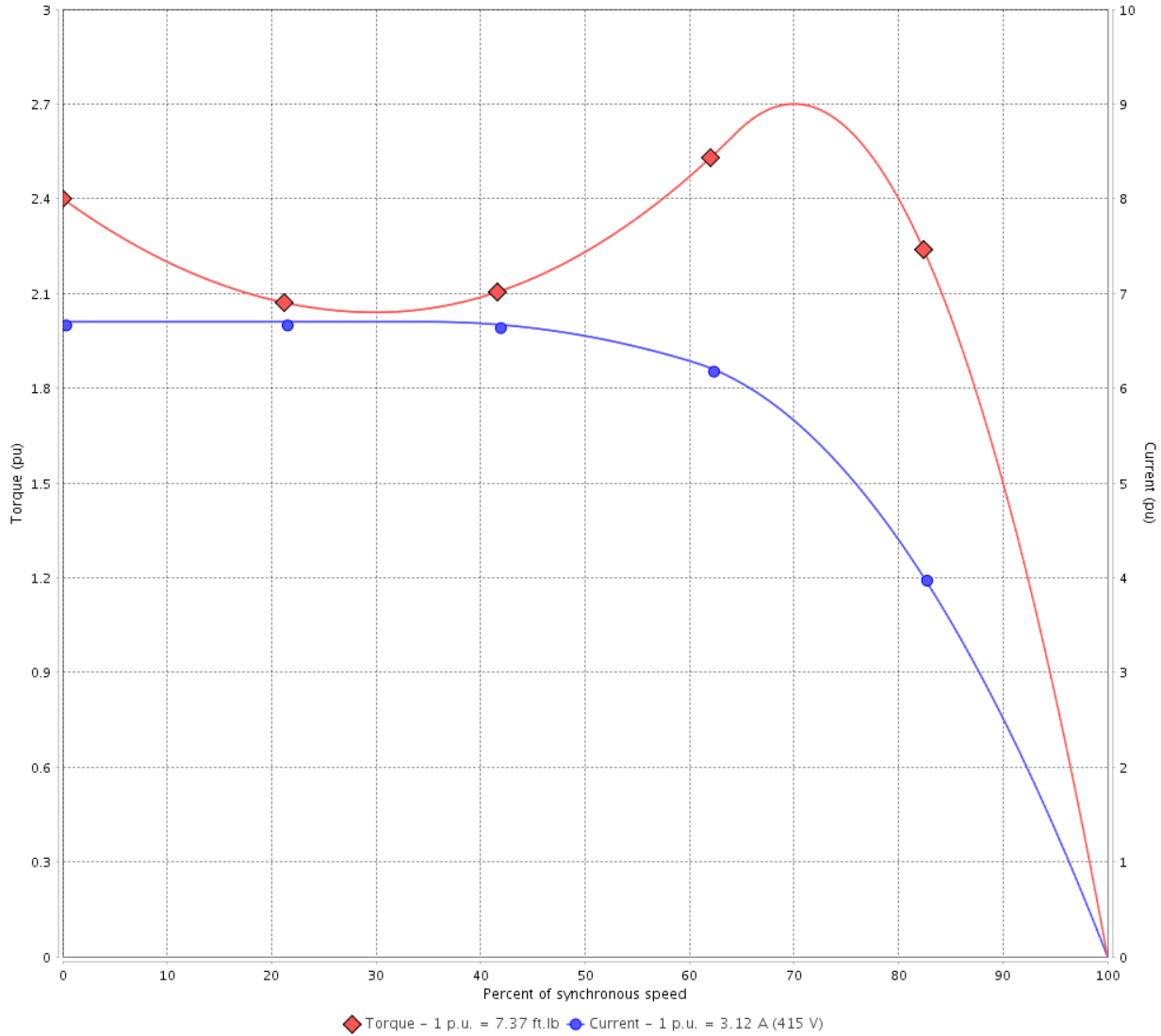
Customer :

Product line : NEMA Premium Efficiency Three-Phase

Product code : 14788822

Catalog # : 00218ET3ER145TC-S

TORQUE AND CURRENT VS SPEED CURVE



Performance : 220/415 V 50 Hz 4P

Rated current	: 5.89/3.12 A	Moment of inertia (J)	: 0.1296 sq.ft.lb
LRC	: 6.7	Duty cycle	: Cont.(S1)
Rated torque	: 7.37 ft.lb	Insulation class	: F
Locked rotor torque	: 240 %	Service factor	: 1.00
Breakdown torque	: 270 %	Temperature rise	: 105 K
Rated speed	: 1425 rpm	Design	: B

Locked rotor time : 0s (cold) 0s (hot)

Rev.	Changes Summary	Performed	Checked	Date
Performed by			Page 4 / 16	Revision
Checked by				
Date	13/04/2022			

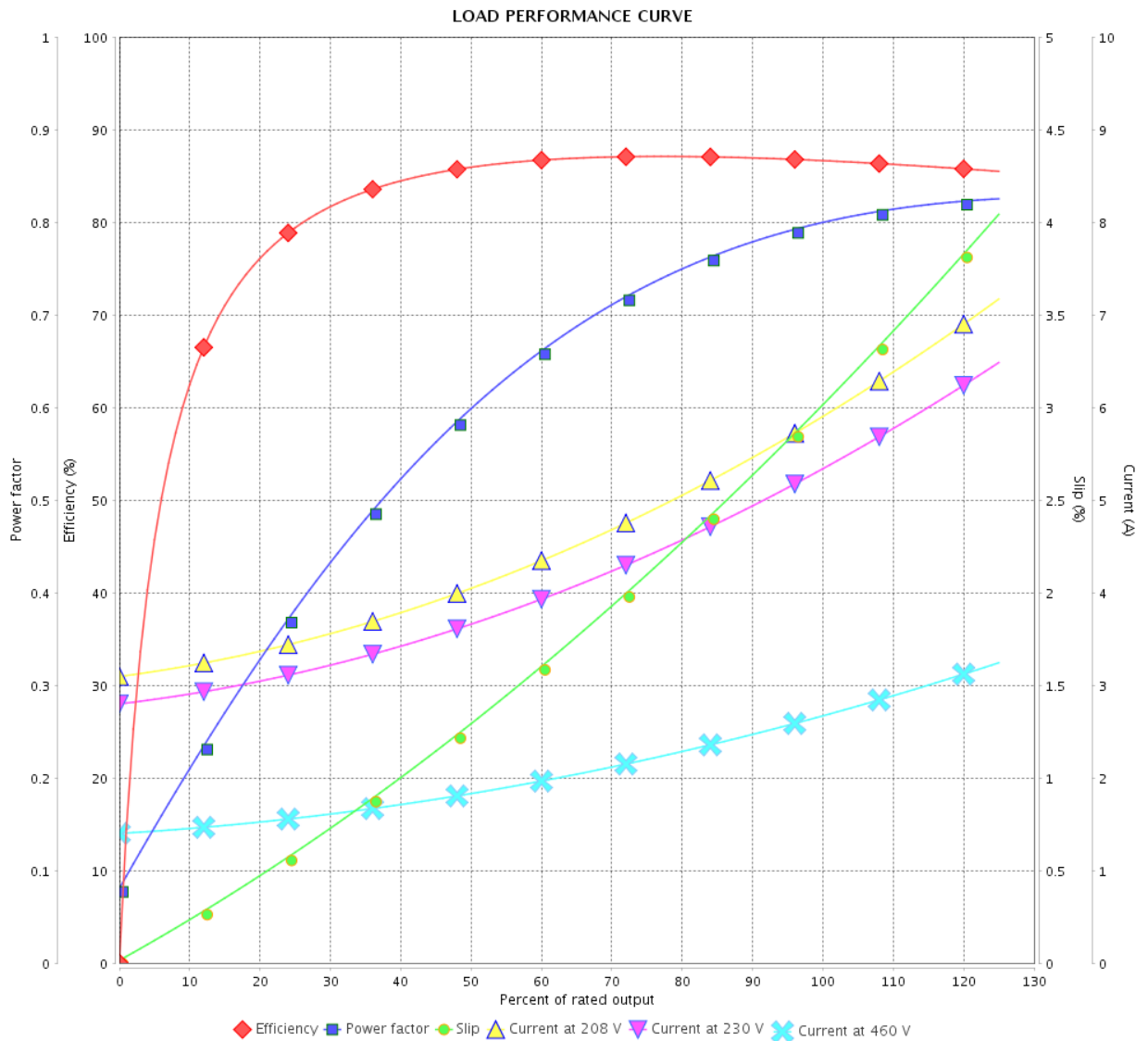
LOAD PERFORMANCE CURVE

Three Phase Induction Motor - Squirrel Cage



Customer :

Product line : NEMA Premium Efficiency Three-Phase
 Product code : 14788822
 Catalog # : 00218ET3ER145TC-S



Performance : 230/460 V 60 Hz 4P

Rated current : 5.44/2.72 A
 LRC : 8.2
 Rated torque : 6.02 ft.lb
 Locked rotor torque : 270 %
 Breakdown torque : 300 %
 Rated speed : 1745 rpm

Moment of inertia (J) : 0.1296 sq.ft.lb
 Duty cycle : Cont.(S1)
 Insulation class : F
 Service factor :
 Temperature rise : 80 K
 Design : B

Rev.	Changes Summary	Performed	Checked	Date
Performed by		Page		Revision
Checked by		5 / 16		
Date		13/04/2022		

LOAD PERFORMANCE CURVE

Three Phase Induction Motor - Squirrel Cage



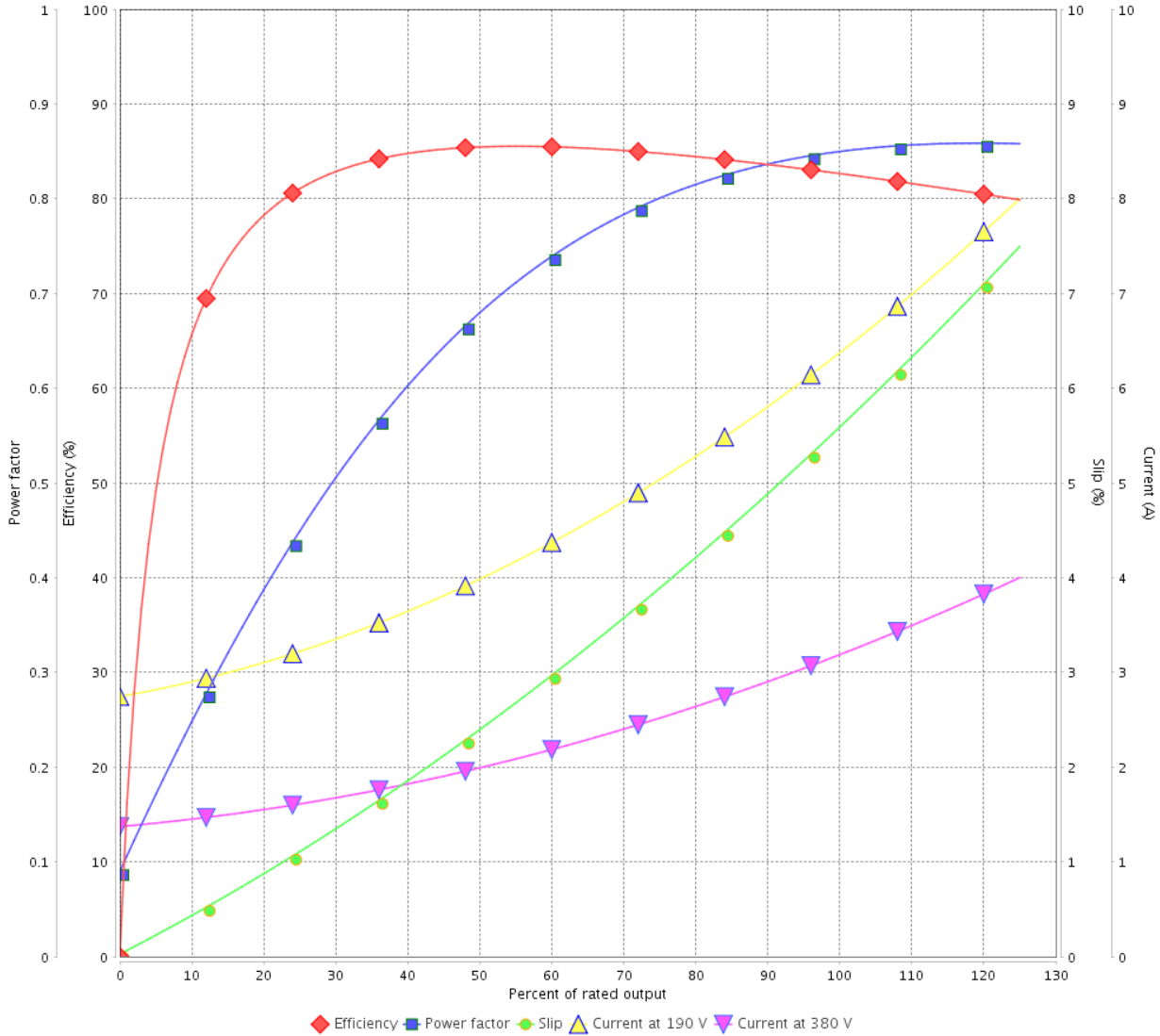
Customer :

Product line : NEMA Premium Efficiency Three-Phase

Product code : 14788822

Catalog # : 00218ET3ER145TC-S

LOAD PERFORMANCE CURVE



Performance : 190/380 V 50 Hz 4P

Rated current : 6.50/3.25 A
 LRC : 6.0
 Rated torque : 7.42 ft.lb
 Locked rotor torque : 210 %
 Breakdown torque : 240 %
 Rated speed : 1415 rpm

Moment of inertia (J) : 0.1296 sq.ft.lb
 Duty cycle : Cont.(S1)
 Insulation class : F
 Service factor : 1.00
 Temperature rise : 105 K
 Design : B

Rev.	Changes Summary	Performed	Checked	Date
Performed by			Page	Revision
Checked by			6 / 16	
Date	13/04/2022			

LOAD PERFORMANCE CURVE

Three Phase Induction Motor - Squirrel Cage

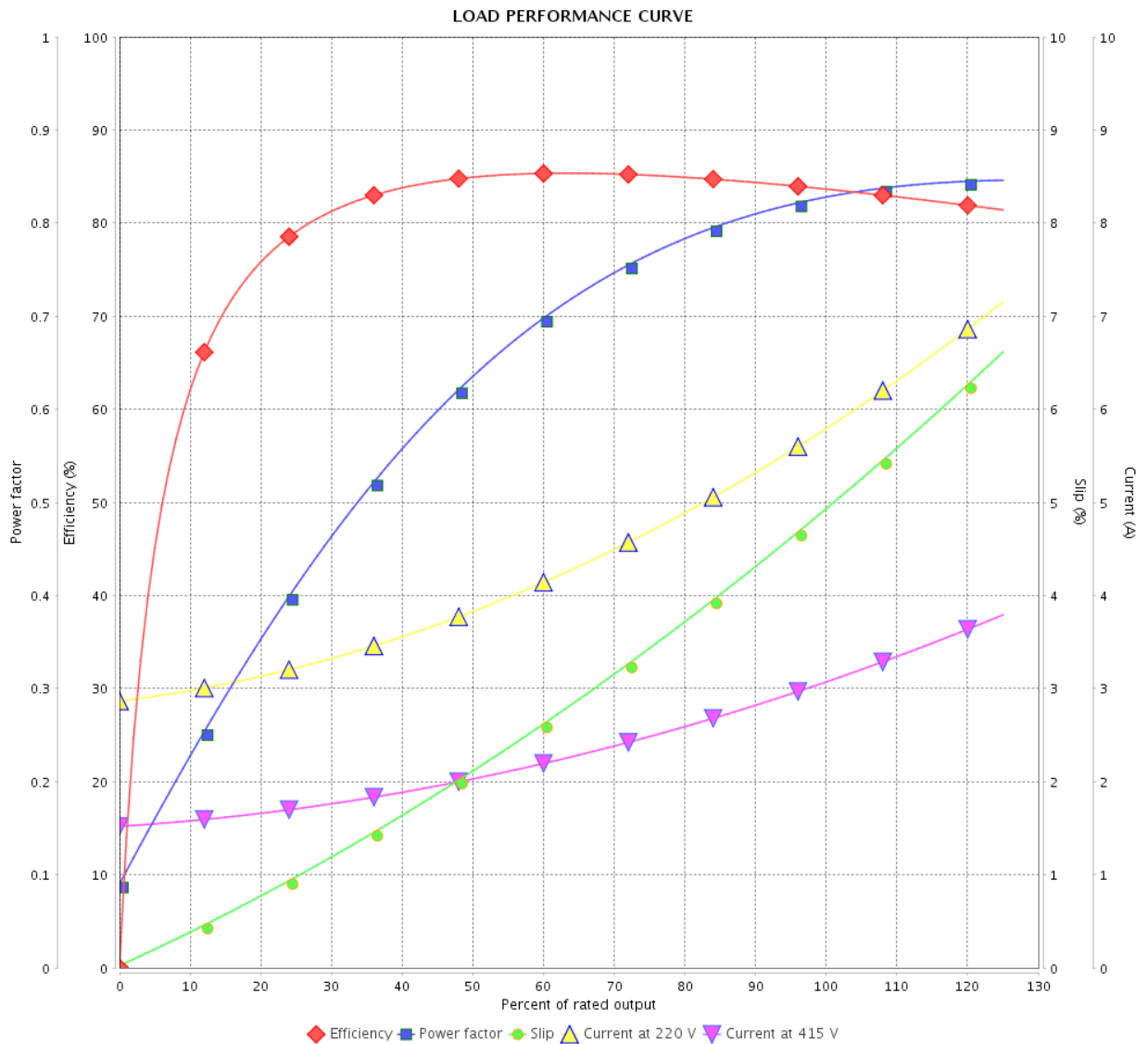


Customer : _____

Product line : NEMA Premium Efficiency Three-Phase

Product code : 14788822

Catalog # : 00218ET3ER145TC-S



Performance : 220/415 V 50 Hz 4P

Rated current : 5.89/3.12 A
 LRC : 6.7
 Rated torque : 7.37 ft.lb
 Locked rotor torque : 240 %
 Breakdown torque : 270 %
 Rated speed : 1425 rpm

Moment of inertia (J) : 0.1296 sq.ft.lb
 Duty cycle : Cont.(S1)
 Insulation class : F
 Service factor : 1.00
 Temperature rise : 105 K
 Design : B

Rev.	Changes Summary	Performed	Checked	Date
Performed by		Page		Revision
Checked by		7 / 16		
Date		13/04/2022		

THERMAL LIMIT CURVE



Three Phase Induction Motor - Squirrel Cage

Customer :

Product line : NEMA Premium Efficiency Three-Phase
Product code : 14788822
Catalog # : 00218ET3ER145TC-S

Performance : 230/460 V 60 Hz 4P

Rated current	: 5.44/2.72 A	Moment of inertia (J)	: 0.1296 sq.ft.lb
LRC	: 8.2	Duty cycle	: Cont.(S1)
Rated torque	: 6.02 ft.lb	Insulation class	: F
Locked rotor torque	: 270 %	Service factor	:
Breakdown torque	: 300 %	Temperature rise	: 80 K
Rated speed	: 1745 rpm	Design	: B

Heating constant

Cooling constant

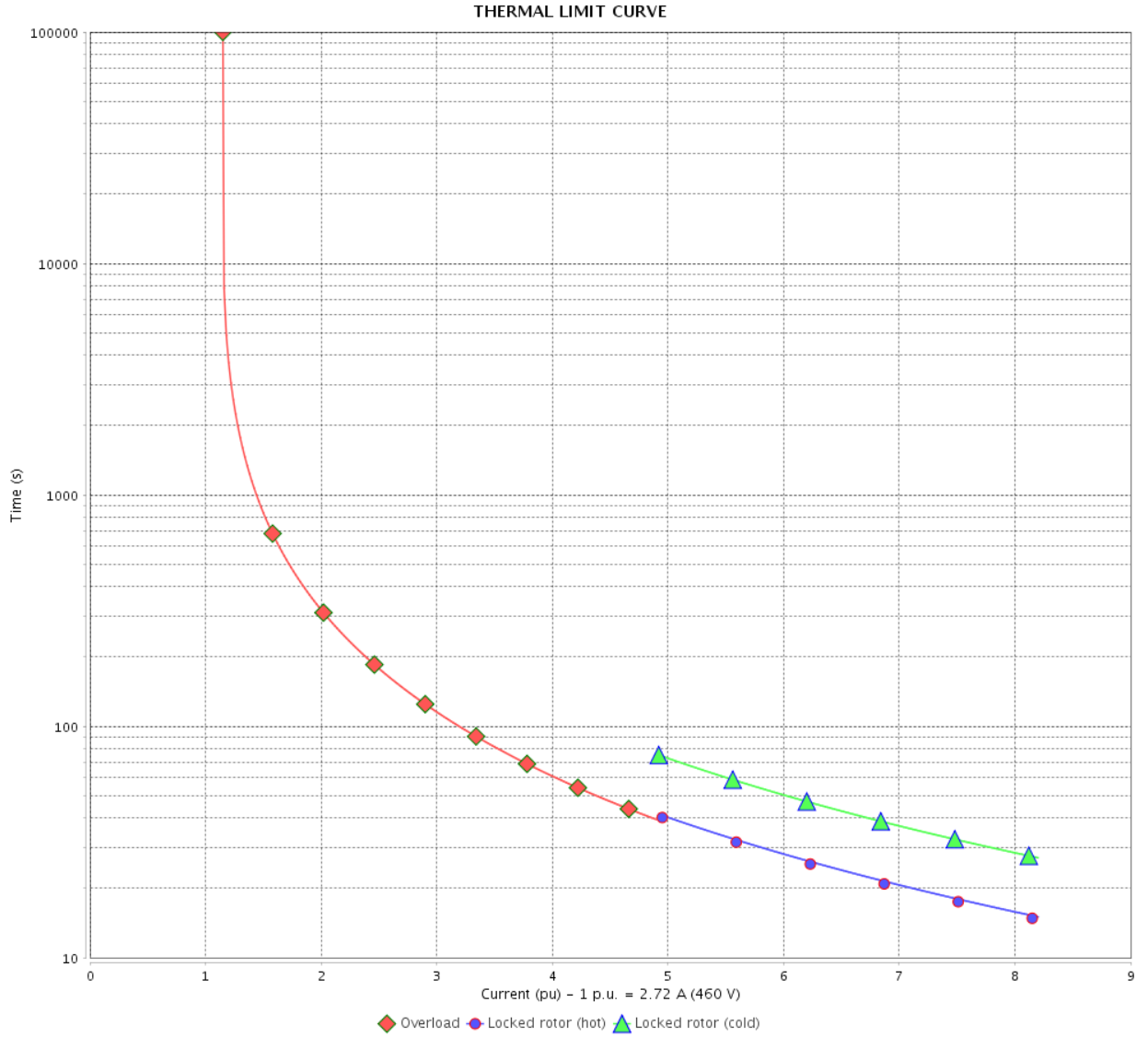
Rev.	Changes Summary	Performed	Checked	Date
Performed by				
Checked by			Page	Revision
Date	13/04/2022		8 / 16	

THERMAL LIMIT CURVE

Three Phase Induction Motor - Squirrel Cage



Customer : _____



Rev.	Changes Summary	Performed	Checked	Date
Performed by		Page		Revision
Checked by		9 / 16		
Date		13/04/2022		

THERMAL LIMIT CURVE



Three Phase Induction Motor - Squirrel Cage

Customer :

Product line : NEMA Premium Efficiency Three-Phase
Product code : 14788822
Catalog # : 00218ET3ER145TC-S

Performance : 190/380 V 50 Hz 4P

Rated current	: 6.50/3.25 A	Moment of inertia (J)	: 0.1296 sq.ft.lb
LRC	: 6.0	Duty cycle	: Cont.(S1)
Rated torque	: 7.42 ft.lb	Insulation class	: F
Locked rotor torque	: 210 %	Service factor	: 1.00
Breakdown torque	: 240 %	Temperature rise	: 105 K
Rated speed	: 1415 rpm	Design	: B

Heating constant

Cooling constant

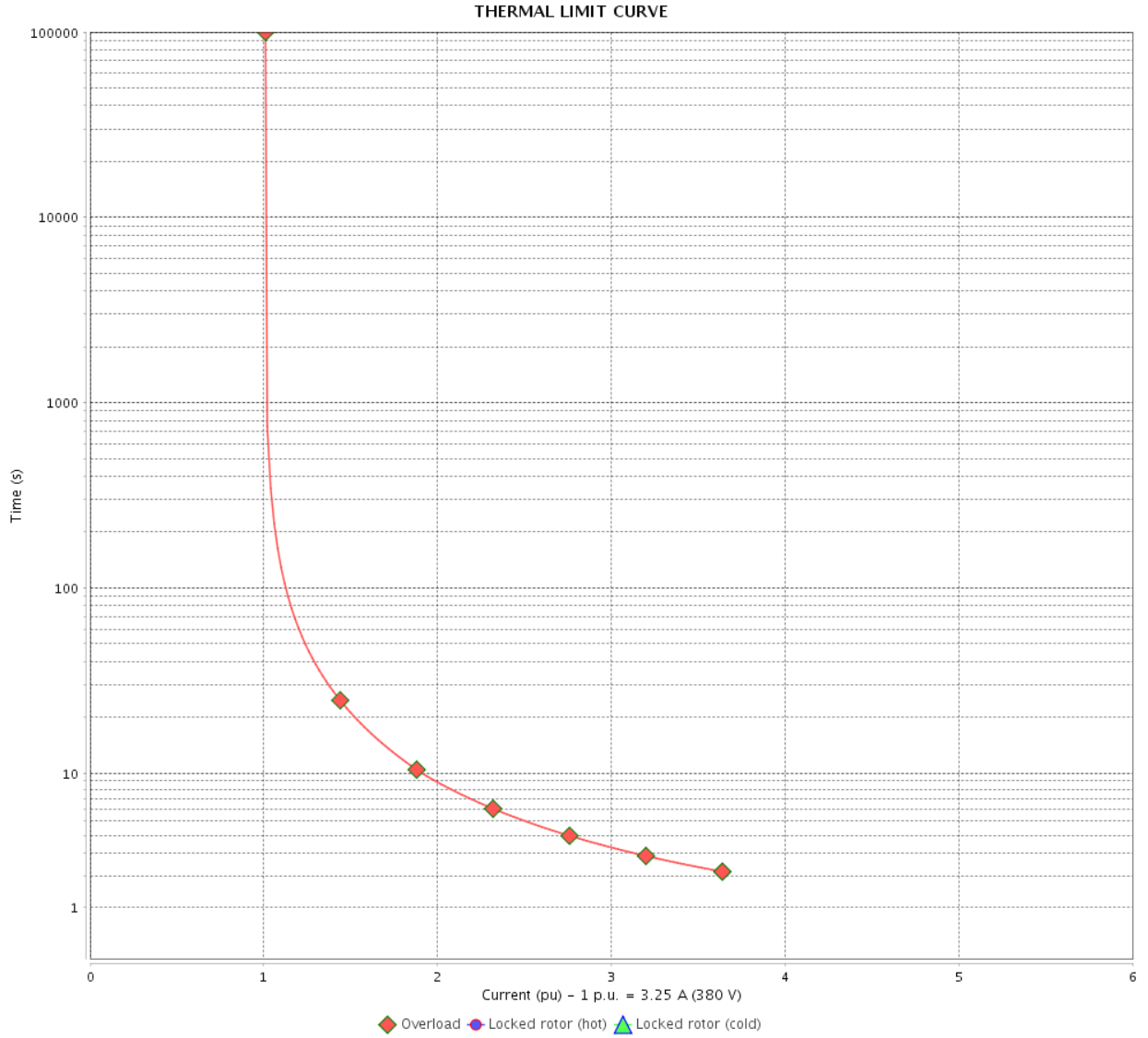
Rev.	Changes Summary	Performed	Checked	Date
Performed by				
Checked by			Page	Revision
Date	13/04/2022		10 / 16	

THERMAL LIMIT CURVE

Three Phase Induction Motor - Squirrel Cage



Customer : _____



Rev.	Changes Summary	Performed	Checked	Date
Performed by		Page		Revision
Checked by		11 / 16		
Date		13/04/2022		

THERMAL LIMIT CURVE



Three Phase Induction Motor - Squirrel Cage

Customer :

Product line : NEMA Premium Efficiency Three-Phase
Product code : 14788822
Catalog # : 00218ET3ER145TC-S

Performance : 220/415 V 50 Hz 4P

Rated current	: 5.89/3.12 A	Moment of inertia (J)	: 0.1296 sq.ft.lb
LRC	: 6.7	Duty cycle	: Cont.(S1)
Rated torque	: 7.37 ft.lb	Insulation class	: F
Locked rotor torque	: 240 %	Service factor	: 1.00
Breakdown torque	: 270 %	Temperature rise	: 105 K
Rated speed	: 1425 rpm	Design	: B

Heating constant

Cooling constant

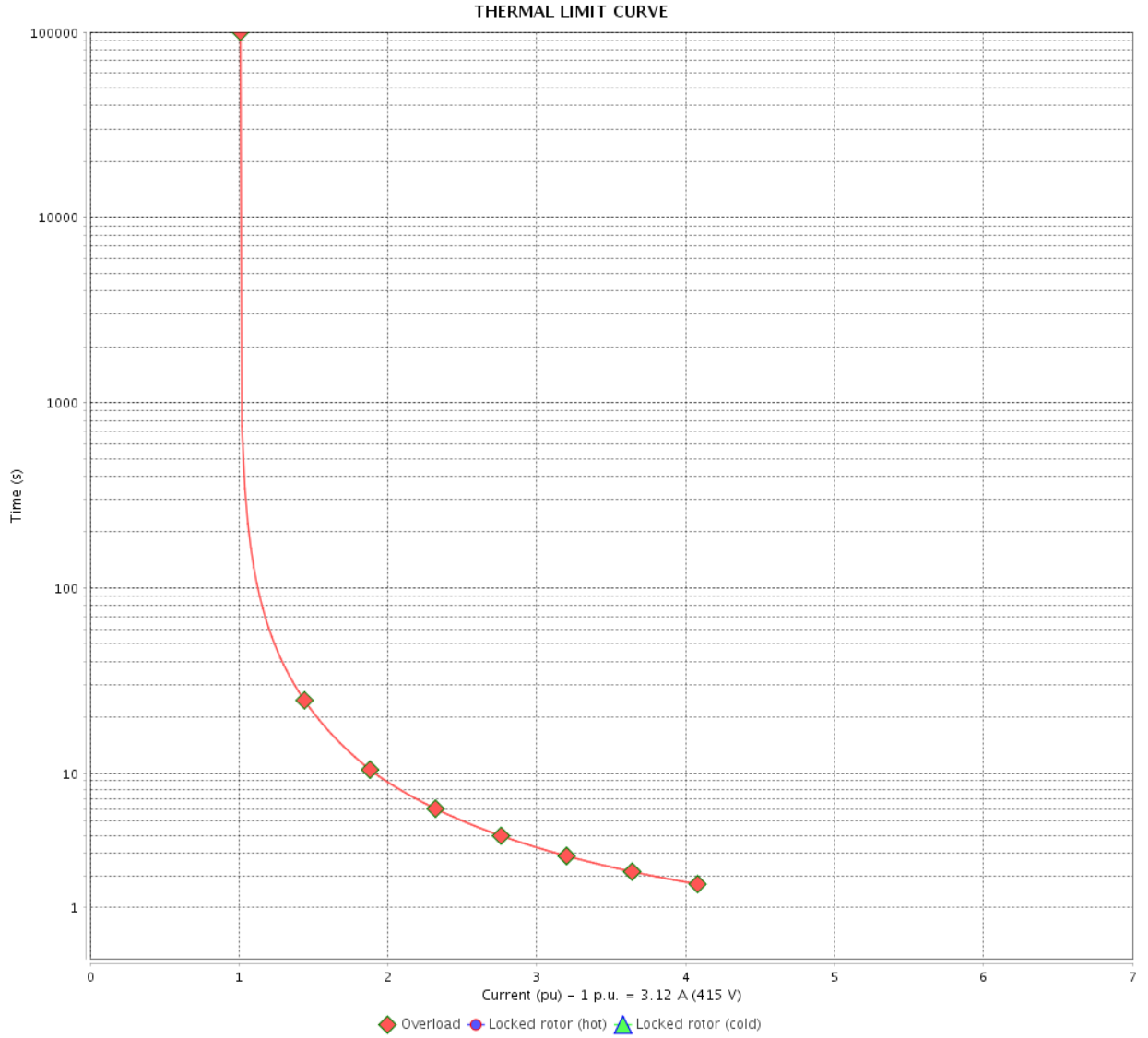
Rev.	Changes Summary	Performed	Checked	Date
Performed by				
Checked by			Page	Revision
Date	13/04/2022		12 / 16	

THERMAL LIMIT CURVE

Three Phase Induction Motor - Squirrel Cage



Customer : _____



Rev.	Changes Summary	Performed	Checked	Date
Performed by		Page		Revision
Checked by		13 / 16		
Date		13/04/2022		

VFD OPERATION CURVE

Three Phase Induction Motor - Squirrel Cage

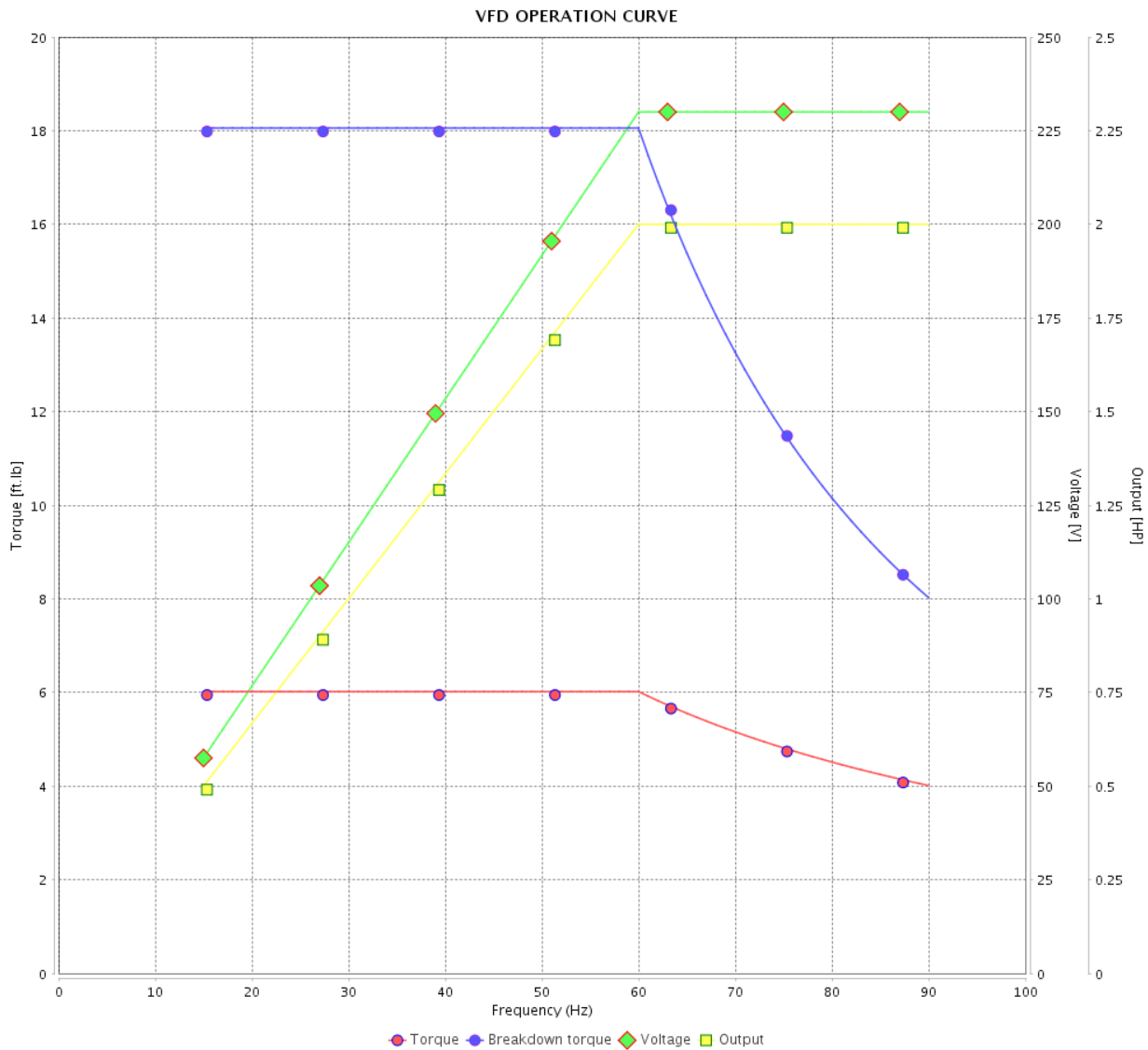


Customer :

Product line : NEMA Premium Efficiency Three-Phase

Product code : 14788822

Catalog # : 00218ET3ER145TC-S



Performance : 230/460 V 60 Hz 4P

Rated current : 5.44/2.72 A
 LRC : 8.2
 Rated torque : 6.02 ft.lb
 Locked rotor torque : 270 %
 Breakdown torque : 300 %
 Rated speed : 1745 rpm

Moment of inertia (J) : 0.1296 sq.ft.lb
 Duty cycle : Cont.(S1)
 Insulation class : F
 Service factor :
 Temperature rise : 80 K
 Design : B

Rev.	Changes Summary	Performed	Checked	Date
Performed by			Page	Revision
Checked by				
Date				

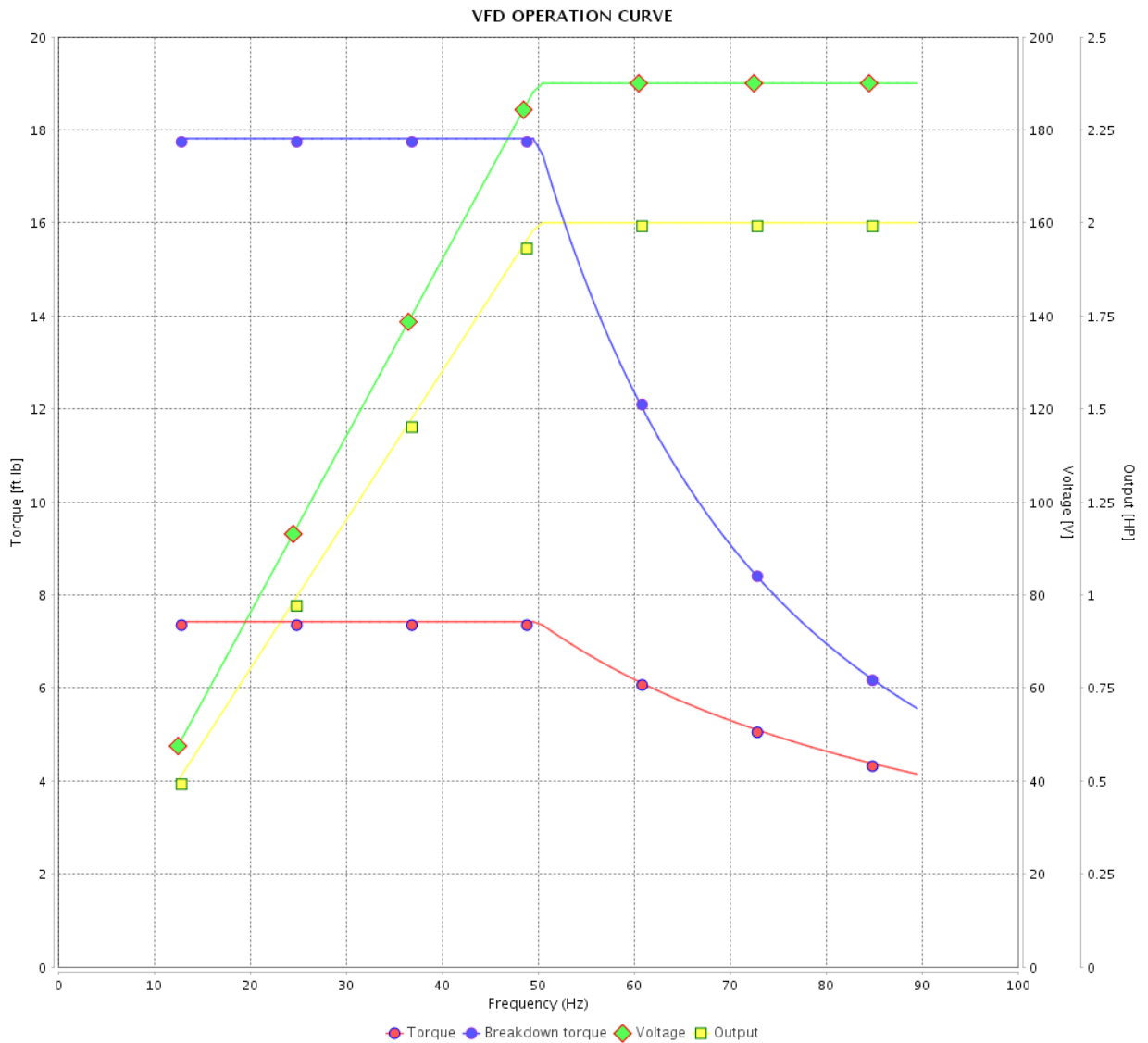
VFD OPERATION CURVE

Three Phase Induction Motor - Squirrel Cage



Customer :

Product line : NEMA Premium Efficiency Three-Phase
 Product code : 14788822
 Catalog # : 00218ET3ER145TC-S



Performance : 190/380 V 50 Hz 4P

Rated current : 6.50/3.25 A
 LRC : 6.0
 Rated torque : 7.42 ft.lb
 Locked rotor torque : 210 %
 Breakdown torque : 240 %
 Rated speed : 1415 rpm

Moment of inertia (J) : 0.1296 sq.ft.lb
 Duty cycle : Cont.(S1)
 Insulation class : F
 Service factor : 1.00
 Temperature rise : 105 K
 Design : B

Rev.	Changes Summary	Performed	Checked	Date
Performed by		Page		Revision
Checked by		15 / 16		
Date		13/04/2022		

VFD OPERATION CURVE

Three Phase Induction Motor - Squirrel Cage

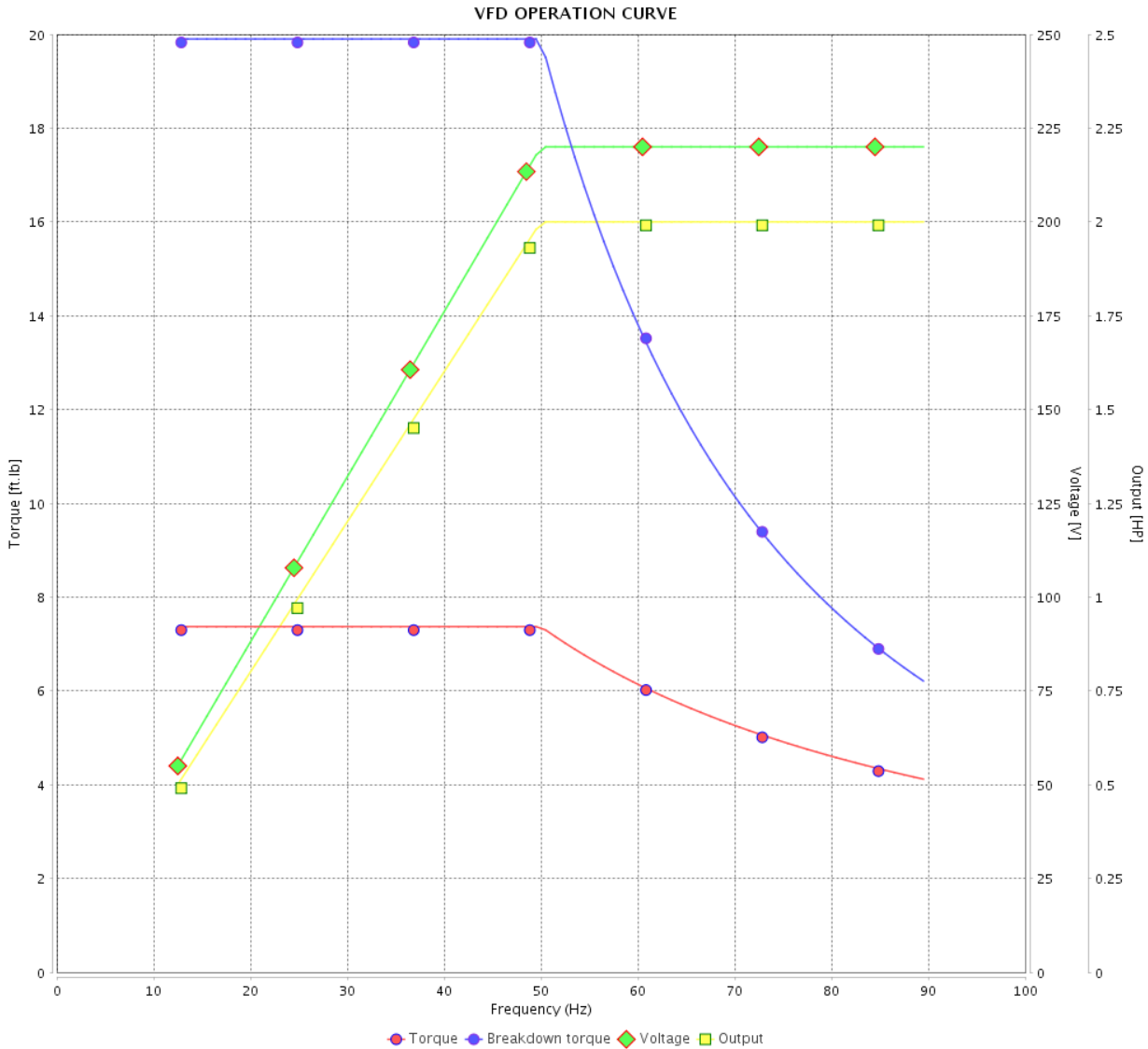


Customer :

Product line : NEMA Premium Efficiency Three-Phase

Product code : 14788822

Catalog # : 00218ET3ER145TC-S



Performance : 220/415 V 50 Hz 4P

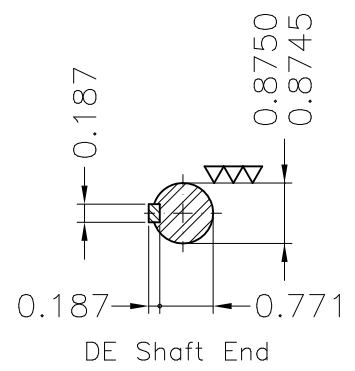
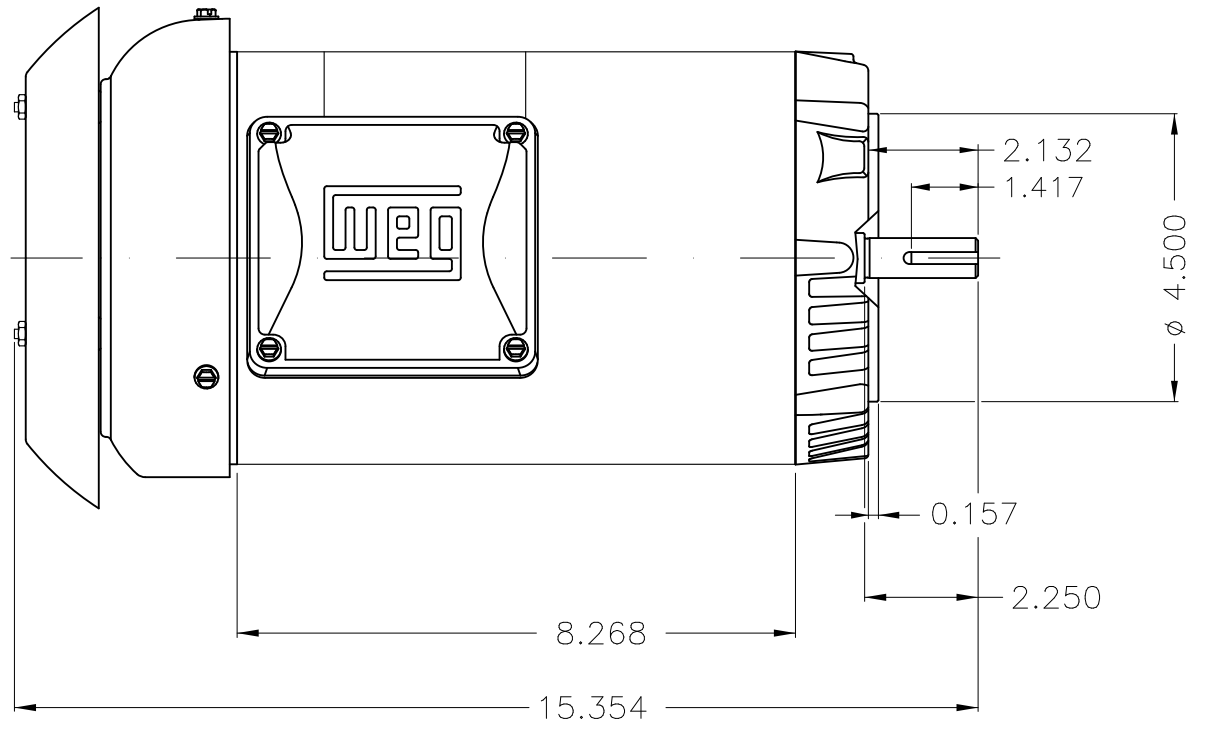
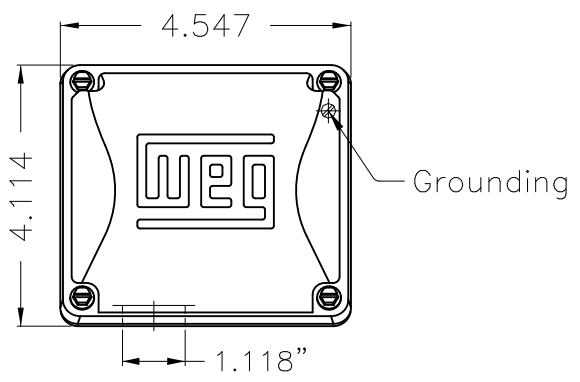
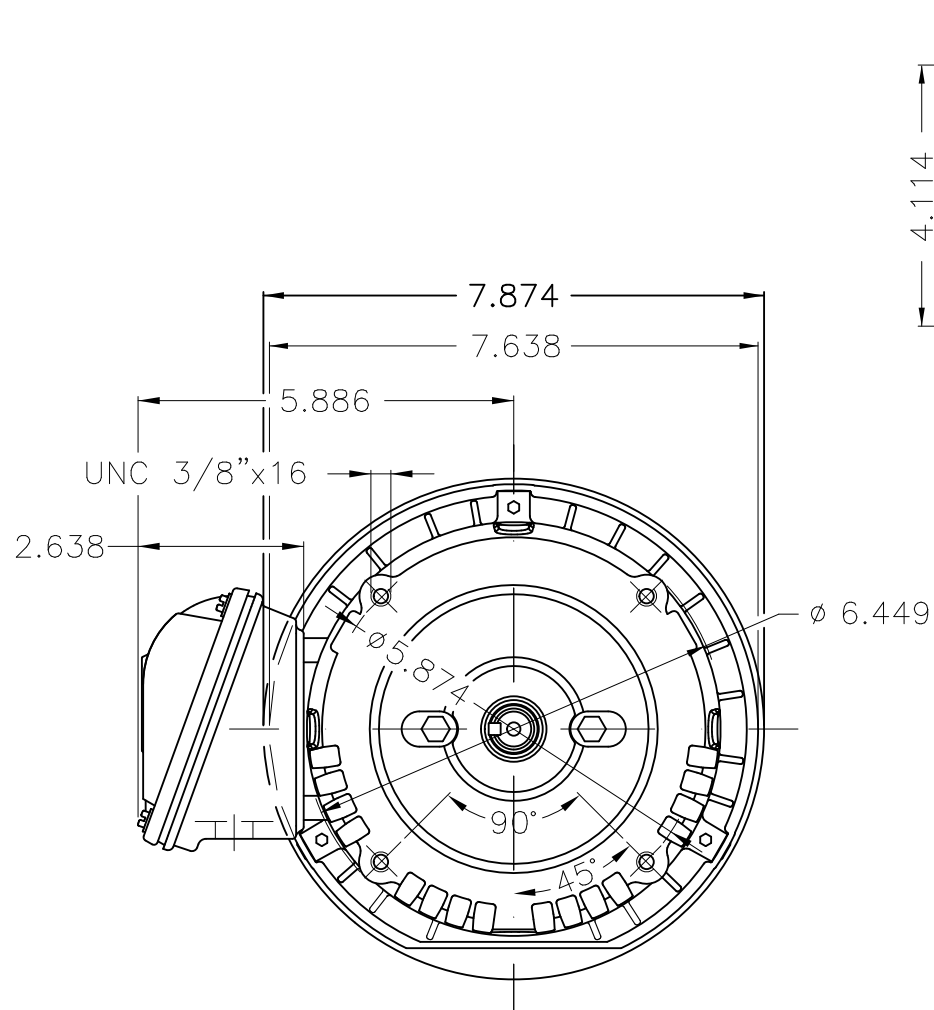
Rated current : 5.89/3.12 A
 LRC : 6.7
 Rated torque : 7.37 ft.lb
 Locked rotor torque : 240 %
 Breakdown torque : 270 %
 Rated speed : 1425 rpm

Moment of inertia (J) : 0.1296 sq.ft.lb
 Duty cycle : Cont.(S1)
 Insulation class : F
 Service factor : 1.00
 Temperature rise : 105 K
 Design : B

Rev.	Changes Summary	Performed	Checked	Date
Performed by			Page	Revision
Checked by				
Date				

1 2 3 4 5 6

A
B
C
D
E



Dimensions in inches XME A3

Fan cover - steel plate
 Color Munsell N 1 matte black
 Painting plan 207N
 Mounting W-6/V18R(D)

ECM	LOC	SUMMARY OF MODIFICATIONS	EXECUTED	CHECKED	RELEASED	DATE	VER
EXECUTED	PIRWUSER	THREE PH. MOTOR ROLLED STEEL PREM. EFF. FRAME 143/5TC IP55 TEFC					
CHECKED							
RELEASED							
REL DT.	WMO	Jaragua do Sul	Product Engineering	SHEET	1 / 1		

PREVIEW
WDD



2 HP 04 Poles 60 Hz



NEMA
Premium



MADE IN MEXICO

MAT: 14788822 CC029A

W01.TE0IC0X0N

MODEL 00218ET3ER145TC-S

25MAR2022 B/N:

For 60Hz: Class I, Zone 2, IIC
Class I, Div.2, Gr. A,B,C,D - T3

Div 2 Inverter Duty (SF1.00)

CT 2:1/VT 1000:1

PH 3	Hz 60	HP 2.0
FR 143/5TC		KW 1.5
DUTY CONT.		V 230/460
ALT 1000 m.a.s.l.		A 5.44/2.72
INS CL F AT 80K	IP55	SFA 6.26/3.13
AMB 40°C	DES B	SF 1.15
ENCL TEFC	CODE K	PF 0.80
USABLE @ 208V 6.02A		RPM 1745
SF1.00		NEMA
		NOM. EFF 86.5%

ALTERNATE RATING: 2.0HP 50Hz 190-220/380-415V SF1.00
6.50-5.79/3.25-3.07A 1415RPM EFF 82.6% (IE1) IEC 60034-1

For safe area-inverter duty motor For 60Hz use on VPWM 1000:1 VT, 4:1 CT

DE 6205-ZZ	ODE 6203-ZZ	MOBIL POLYREX EM
-------------------	--------------------	-------------------------



T1-BLU T2-WHT
 T3-ORG T4-YEL
 T5-BLK T6-GRY
 T7-PNK T8-RED
 T9-BRK RED

INTERCHANGE ANY TWO LINE WIRES TO REVERSE THE ROTATION

WARNING: Motor must be grounded in accordance with local and national electrical codes to prevent serious electrical shocks. Disconnect power source before servicing unit.



AVERTISSEMENT: Le moteur doit être mis à la terre conformément aux codes électriques locaux et nationaux afin d'éviter tout choc électrique grave. Déconnectez l'alimentation avant l'entretien de la machine.

