



# TORQUE AND CURRENT VS SPEED CURVE

## Three Phase Induction Motor - Squirrel Cage



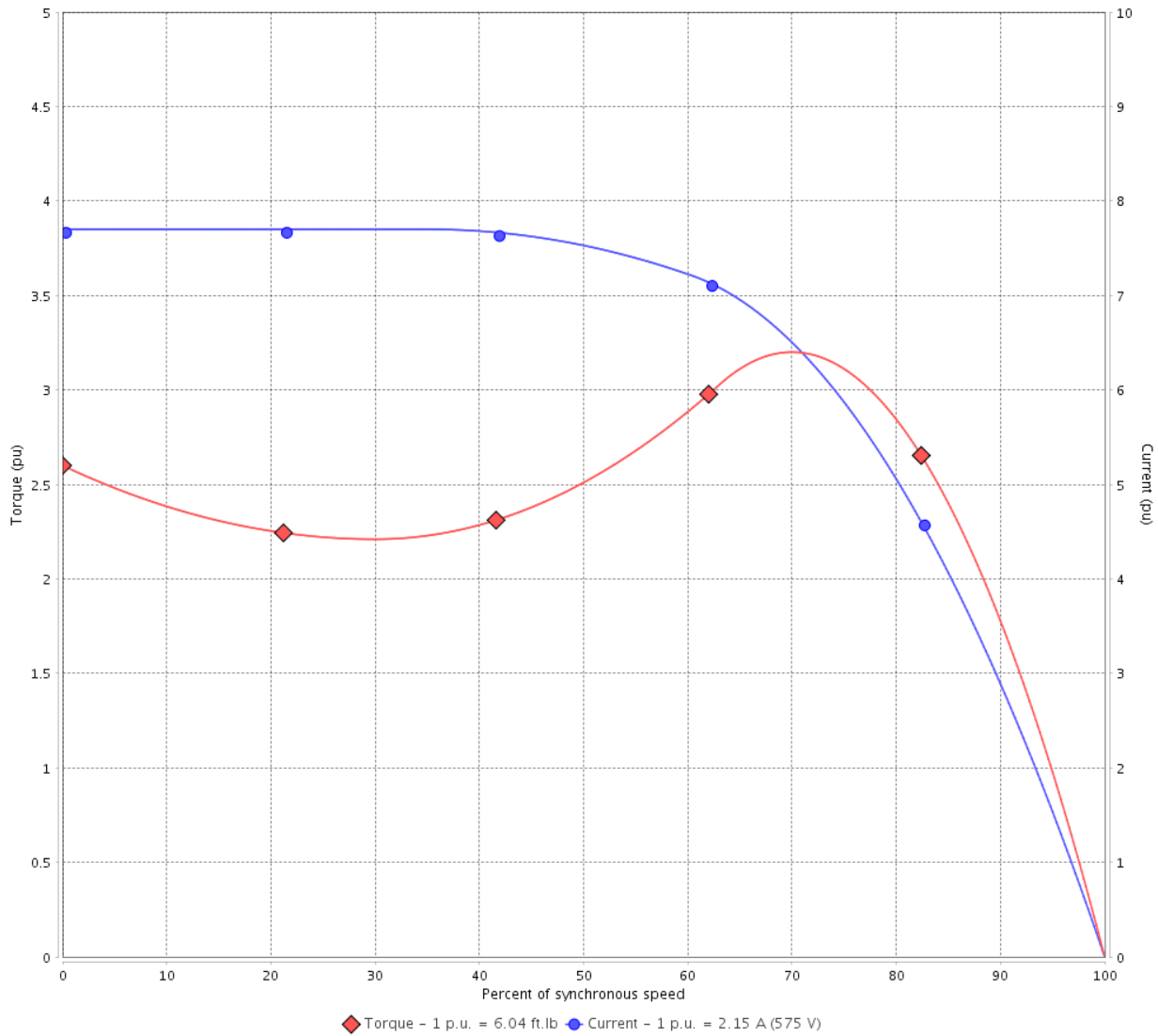
Customer :

Product line : JM Pump NEMA Premium Efficiency Three-Phase

Product code : 12682533

Catalog # : 00218OT3H145JM-S

TORQUE AND CURRENT VS SPEED CURVE



Performance : 575 V 60 Hz 4P

Rated current	: 2.15 A	Moment of inertia (J)	: 0.1168 sq.ft.lb
LRC	: 7.7	Duty cycle	: Cont.(S1)
Rated torque	: 6.04 ft.lb	Insulation class	: F
Locked rotor torque	: 260 %	Service factor	: 1.15
Breakdown torque	: 320 %	Temperature rise	: 80 K
Rated speed	: 1740 rpm	Design	: B

Locked rotor time : 30s (cold) 17s (hot)

Rev.	Changes Summary	Performed	Checked	Date
Performed by			Page 2 / 6	Revision
Checked by				
Date	14/04/2022			

# LOAD PERFORMANCE CURVE

## Three Phase Induction Motor - Squirrel Cage

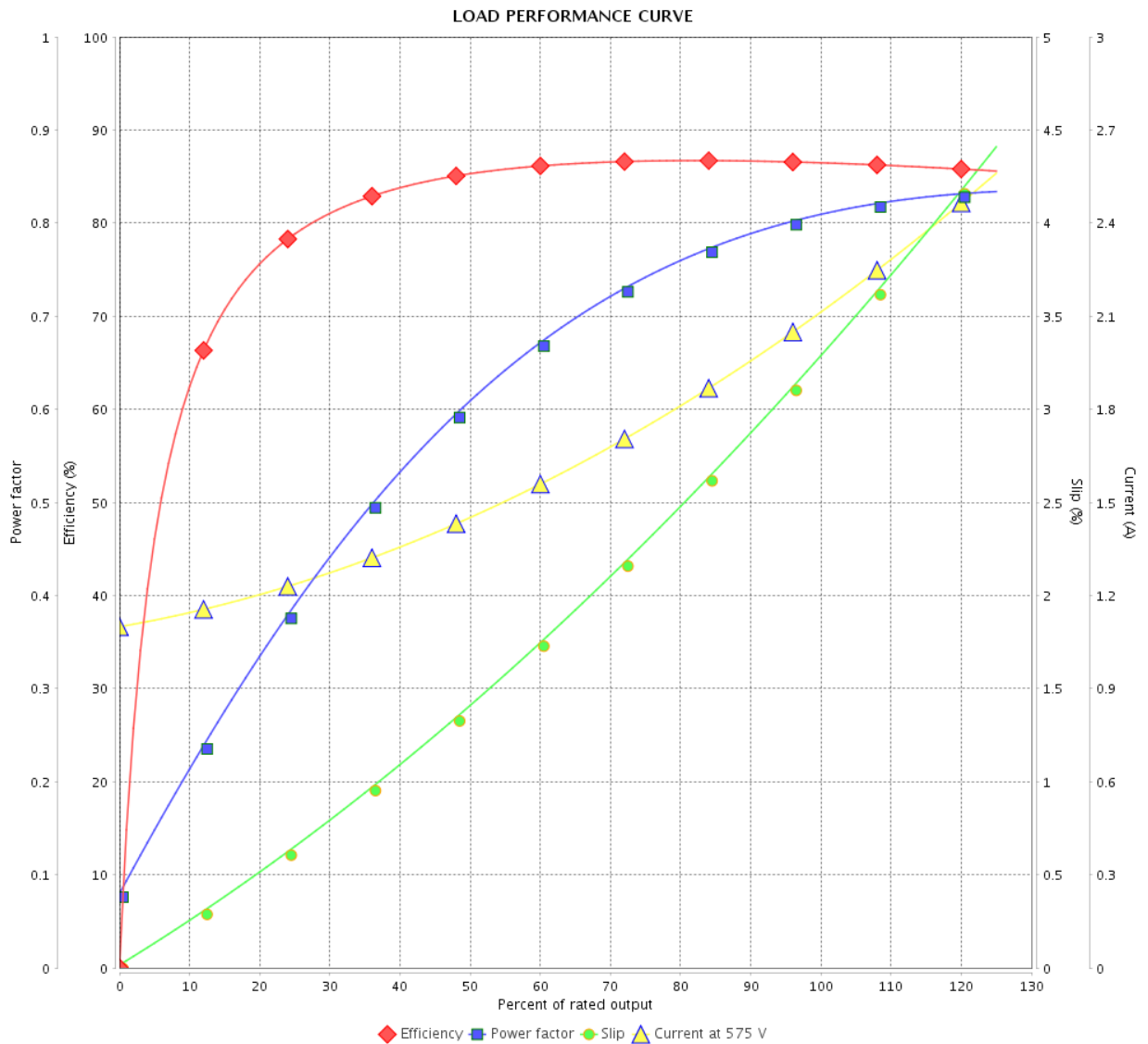


Customer : \_\_\_\_\_

Product line : JM Pump NEMA Premium  
Efficiency Three-Phase

Product code : 12682533

Catalog # : 002180T3H145JM-S



Performance : 575 V 60 Hz 4P

Rated current : 2.15 A  
 LRC : 7.7  
 Rated torque : 6.04 ft.lb  
 Locked rotor torque : 260 %  
 Breakdown torque : 320 %  
 Rated speed : 1740 rpm

Moment of inertia (J) : 0.1168 sq.ft.lb  
 Duty cycle : Cont.(S1)  
 Insulation class : F  
 Service factor : 1.15  
 Temperature rise : 80 K  
 Design : B

Rev.	Changes Summary	Performed	Checked	Date
Performed by		Page		Revision
Checked by		3 / 6		
Date		14/04/2022		

# THERMAL LIMIT CURVE



## Three Phase Induction Motor - Squirrel Cage

Customer :

Product line : JM Pump NEMA Premium  
Efficiency Three-Phase

Product code : 12682533

Catalog # : 00218OT3H145JM-S

Performance : 575 V 60 Hz 4P

Rated current : 2.15 A  
LRC : 7.7  
Rated torque : 6.04 ft.lb  
Locked rotor torque : 260 %  
Breakdown torque : 320 %  
Rated speed : 1740 rpm

Moment of inertia (J) : 0.1168 sq.ft.lb  
Duty cycle : Cont.(S1)  
Insulation class : F  
Service factor : 1.15  
Temperature rise : 80 K  
Design : B

Heating constant

Cooling constant

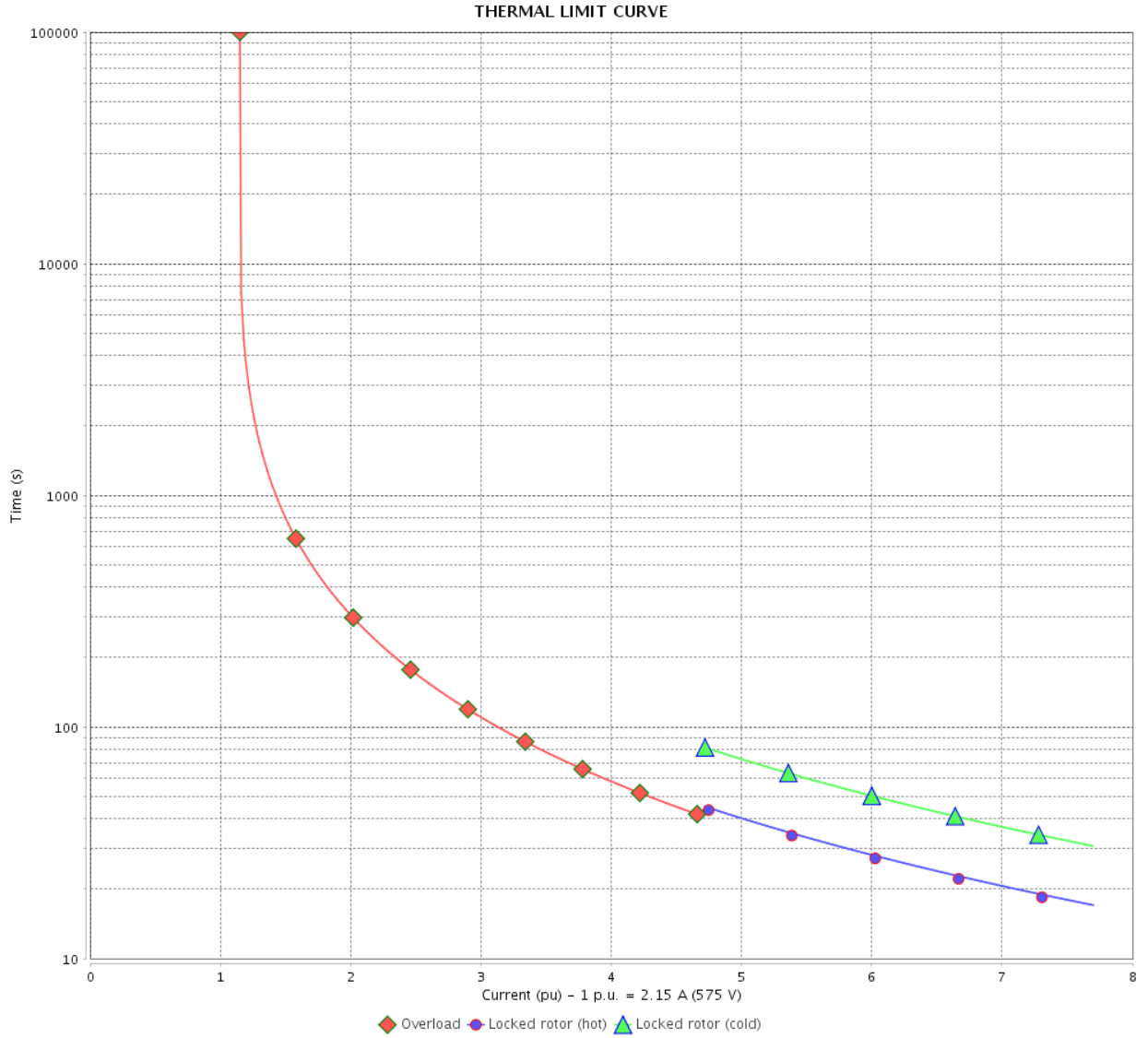
Rev.	Changes Summary	Performed	Checked	Date
Performed by				
Checked by			Page	Revision
Date	14/04/2022		4 / 6	

# THERMAL LIMIT CURVE

Three Phase Induction Motor - Squirrel Cage



Customer : \_\_\_\_\_



Rev.	Changes Summary	Performed	Checked	Date
Performed by		Page 5 / 6		Revision
Checked by				
Date				

# VFD OPERATION CURVE

Three Phase Induction Motor - Squirrel Cage

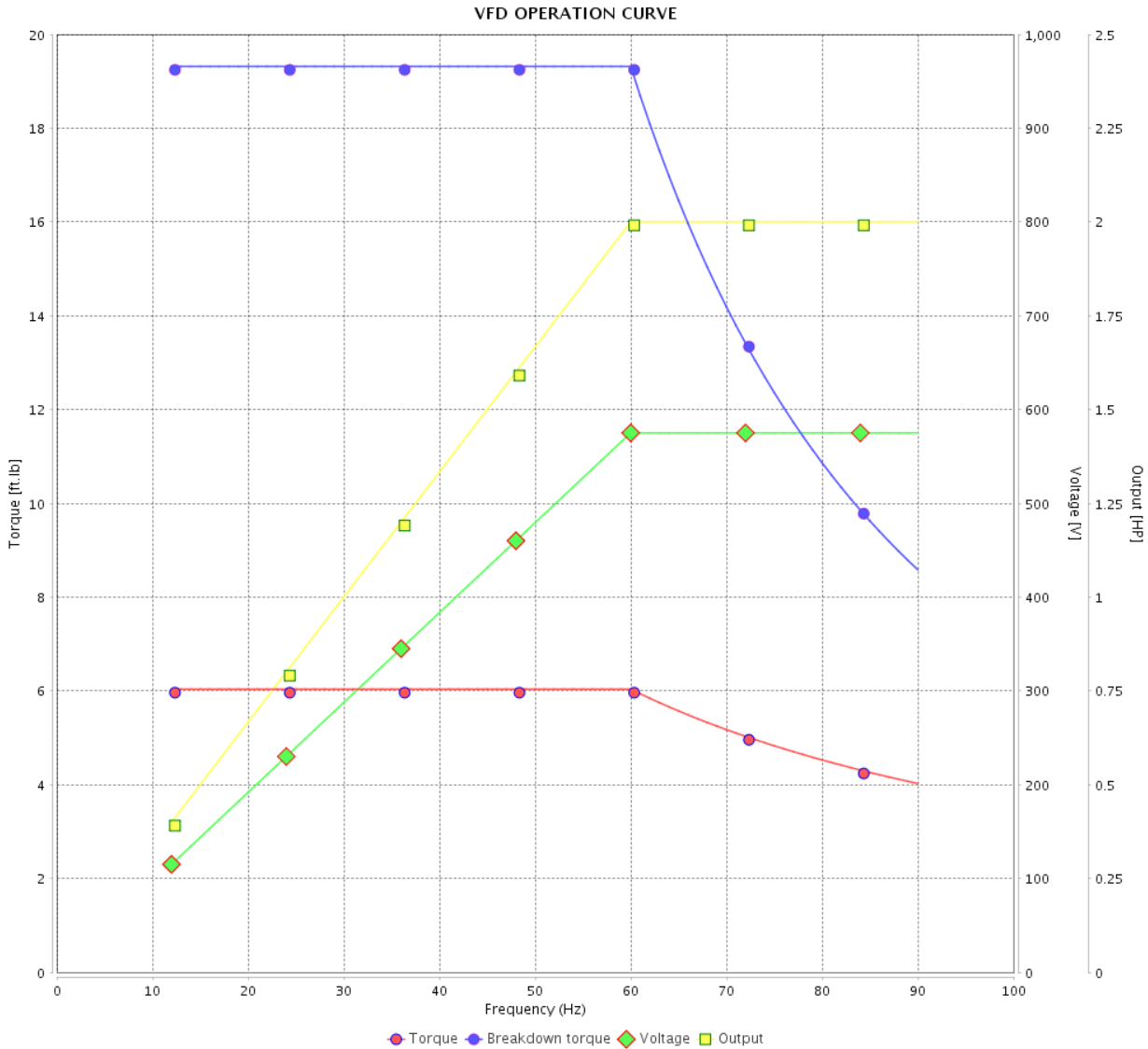


Customer :

Product line : JM Pump NEMA Premium Efficiency Three-Phase

Product code : 12682533

Catalog # : 00218OT3H145JM-S



Performance : 575 V 60 Hz 4P

Rated current : 2.15 A  
 LRC : 7.7  
 Rated torque : 6.04 ft.lb  
 Locked rotor torque : 260 %  
 Breakdown torque : 320 %  
 Rated speed : 1740 rpm

Moment of inertia (J) : 0.1168 sq.ft.lb  
 Duty cycle : Cont.(S1)  
 Insulation class : F  
 Service factor : 1.15  
 Temperature rise : 80 K  
 Design : B

Rev.	Changes Summary	Performed	Checked	Date
Performed by			Page 6 / 6	Revision
Checked by				
Date	14/04/2022			

1 2 3 4 5 6

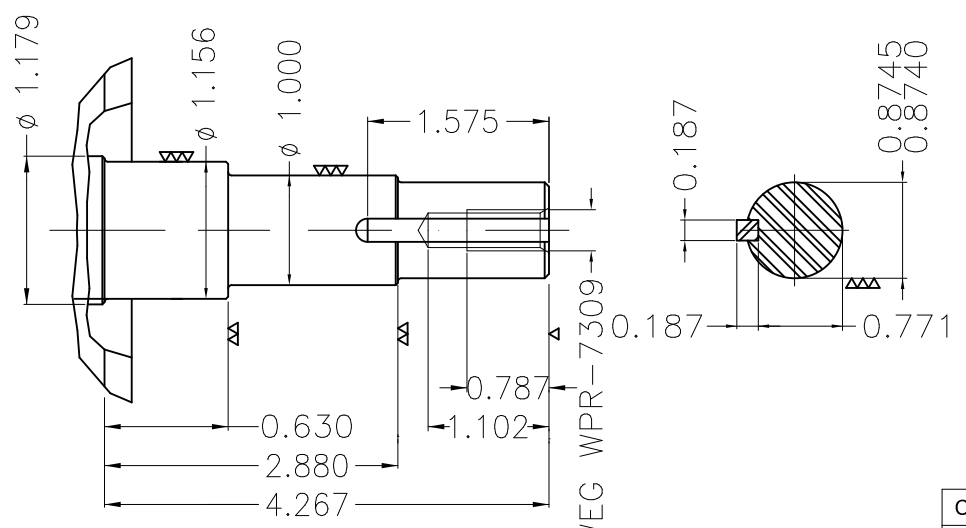
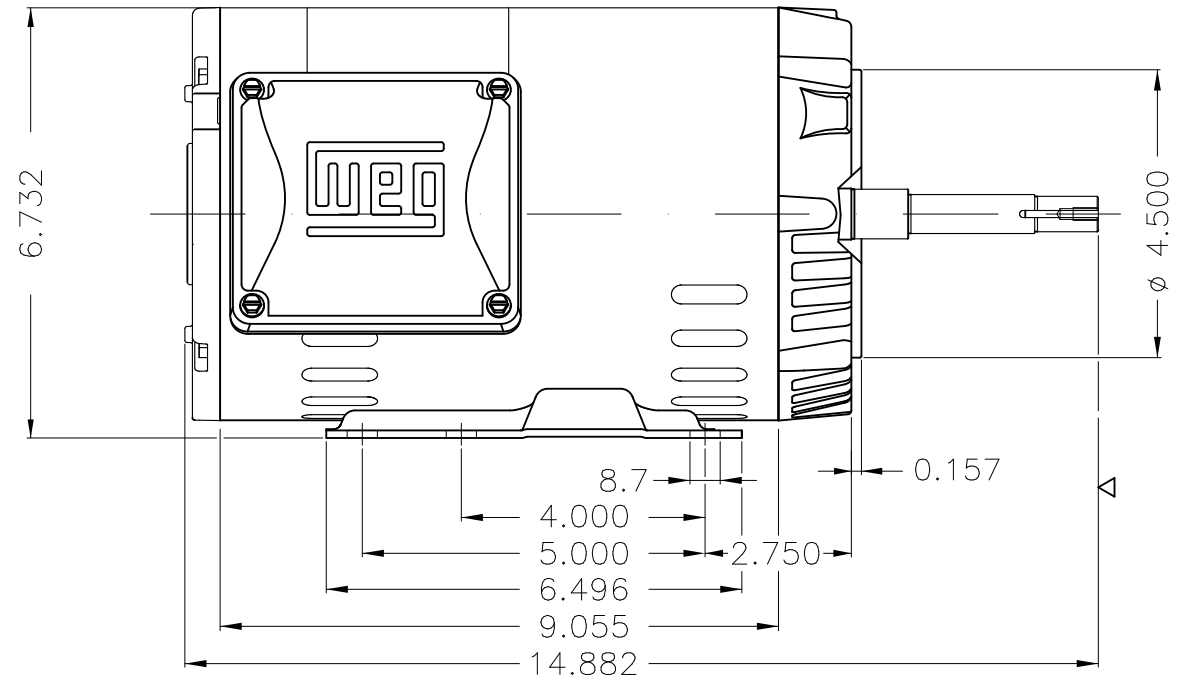
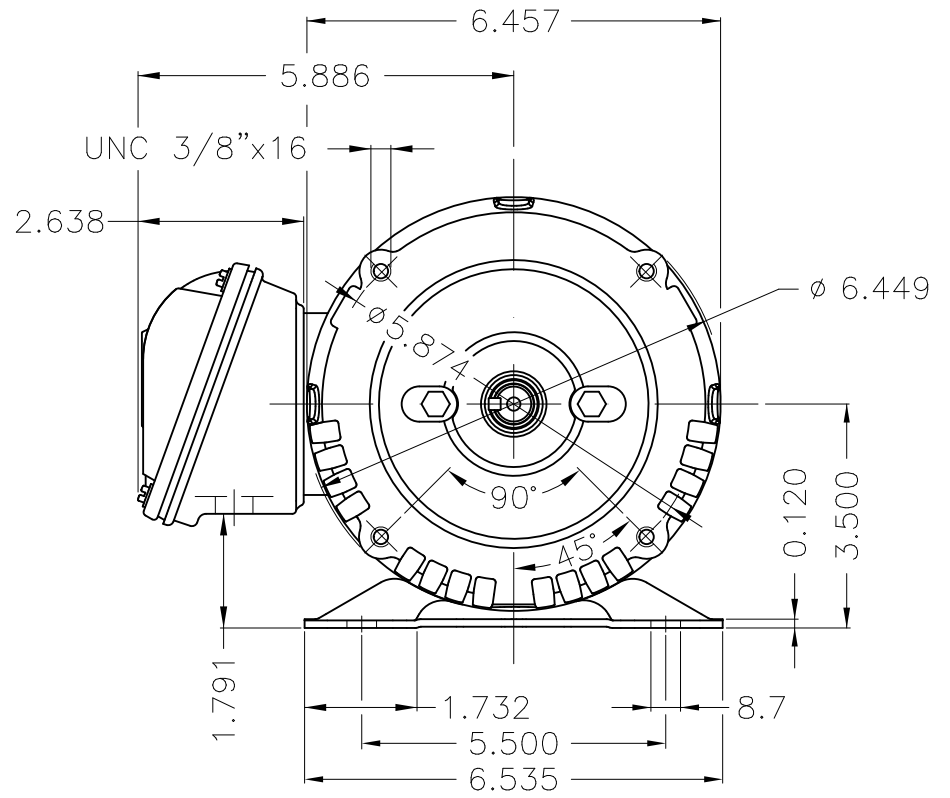
A

B

C

D

E



EUNC 3/8" - 16 WEG WPR-7309

DE Shaft End

Color Munsell N 1 matte black									
Painting plan 207N									
Mounting F-1/B34R(D)									
ECM	LOC	SUMMARY OF MODIFICATIONS			EXECUTED	CHECKED	RELEASED	DATE	VER
EXECUTED	PIRWUSER	THREE PH. MOTOR ROLLED STEEL CLOSE COUPLED PUMP JN TYPE PSE 143							
CHECKED		FRAME 143/5JM IP21 ODP							
RELEASED									
REL DT.		WMO	Jaragua do Sul	Product Engineering					

2 HP 04 Poles 60 Hz

PREVIEW WDD SHEET 1 / 1





**NEMA**  
**Premium**



MADE IN MEXICO

**MAT: 12682533 CC029A**

**W01.T00IC0X0N**

**MODEL 002180T3H145JM-S**

**16FEB2022 B/N:**

PH 3	Hz 60	HP 2.0
FR 143/5JM		KW 1.5
DUTY CONT.		V 575
ALT 1000 m.a.s.l.		A 2.15
INS CL F AT 80K		SFA 2.47
AMB 40°C	DES B	SF 1.15
ENCL ODP	CODE K	PF 0.81
		RPM 1740
		NEMA NOM. EFF 86.5%

**Inverter duty motor For use on VPWM 1000:1 VT, 5:1 CT**

**DE 6206-ZZ ODE 6203-ZZ MOBIL POLYREX EM**



T1-BLU  
T2-WHT  
T3-ORG  
T4-YEL  
T5-BLK  
T6-GRY

**INTERCHANGE ANY TWO LINE WIRES TO REVERSE THE ROTATION**

**WARNING:** Motor must be grounded in accordance with local and national electrical codes to prevent serious electrical shocks. Disconnect power source before servicing unit.



**AVERTISSEMENT:** Le moteur doit être mis à la terre

conformément aux codes électriques locaux et nationaux afin d'éviter tout choc électrique grave. Déconnectez l'alimentation avant l'entretien de la machine.

