

DATA SHEET

Three Phase Induction Motor - Squirrel Cage



Customer					
Product line	: JM Pump NEMA Premium Efficiency Three-Phase	Product code :	12845335		
		Catalog # :	00218OT3V145JM-S		
Frame	: 143/5JM	Locked rotor time	: 30s (cold) 17s (hot)		
Output	: 2 HP (1.5 kW)	Temperature rise	: 80 K		
Poles	: 4	Duty cycle	: Cont.(S1)		
Frequency	: 60 Hz	Ambient temperature	: -20°C to +40°C		
Rated voltage	: 200/400 V	Altitude	: 1000 m.a.s.l.		
Rated current	: 6.19/3.09 A	Cooling method	: IC01 - ODP		
L. R. Amperes	: 47.6/23.8 A	Mounting	: F-1		
LRC	: 7.7x(Code K)	Rotation ¹	: Both (CW and CCW)		
No load current	: 3.16/1.58 A	Noise level ²	: 52.0 dB(A)		
Rated speed	: 1740 rpm	Starting method	: Direct On Line		
Slip	: 3.33 %	Approx. weight ³	: 41.6 lb		
Rated torque	: 6.04 ft.lb				
Locked rotor torque	: 260 %				
Breakdown torque	: 320 %				
Insulation class	: F				
Service factor	: 1.15				
Moment of inertia (J)	: 0.1168 sq.ft.lb				
Design	: B				
Output	25%	50%	75%	100%	
Efficiency (%)	85.2	85.5	86.5	86.5	
Power Factor	0.36	0.61	0.74	0.81	
Foundation loads					
Max. traction : 147 lb					
Max. compression : 189 lb					
		<u>Drive end</u>	<u>Non drive end</u>		
Bearing type	:	6206 ZZ	6203 ZZ		
Sealing	:	Without Bearing Seal	Without Bearing Seal		
Lubrication interval	:	-	-		
Lubricant amount	:	-	-		
Lubricant type	:	Mobil Polyrex EM			
Notes					
This revision replaces and cancel the previous one, which must be eliminated. (1) Looking the motor from the shaft end. (2) Measured at 1m and with tolerance of +3dB(A). (3) Approximate weight subject to changes after manufacturing process. (4) At 100% of full load.					
These are average values based on tests with sinusoidal power supply, subject to the tolerances stipulated in NEMA MG-1.					
Rev.	Changes Summary		Performed	Checked	Date
Performed by					
Checked by				Page	Revision
Date	14/04/2022			1 / 6	

TORQUE AND CURRENT VS SPEED CURVE

Three Phase Induction Motor - Squirrel Cage



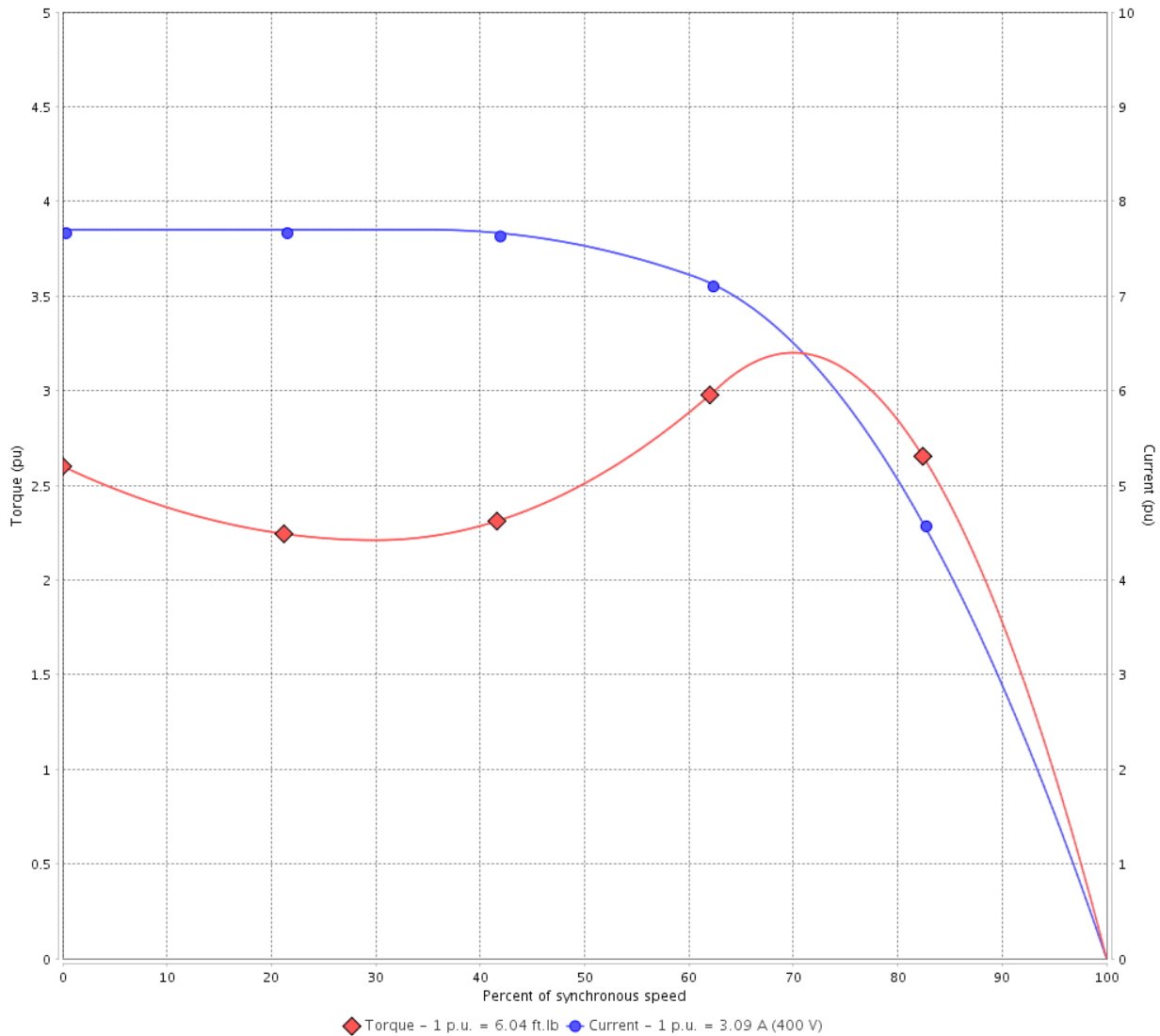
Customer :

Product line : JM Pump NEMA Premium
Efficiency Three-Phase

Product code : 12845335

Catalog # : 00218OT3V145JM-S

TORQUE AND CURRENT VS SPEED CURVE



Performance : 200/400 V 60 Hz 4P

Rated current : 6.19/3.09 A
LRC : 7.7
Rated torque : 6.04 ft.lb
Locked rotor torque : 260 %
Breakdown torque : 320 %
Rated speed : 1740 rpm

Moment of inertia (J) : 0.1168 sq.ft.lb
Duty cycle : Cont.(S1)
Insulation class : F
Service factor : 1.15
Temperature rise : 80 K
Design : B

Locked rotor time : 30s (cold) 17s (hot)

Rev.	Changes Summary	Performed	Checked	Date
Performed by			Page 2 / 6	Revision
Checked by				
Date	14/04/2022			

LOAD PERFORMANCE CURVE

Three Phase Induction Motor - Squirrel Cage

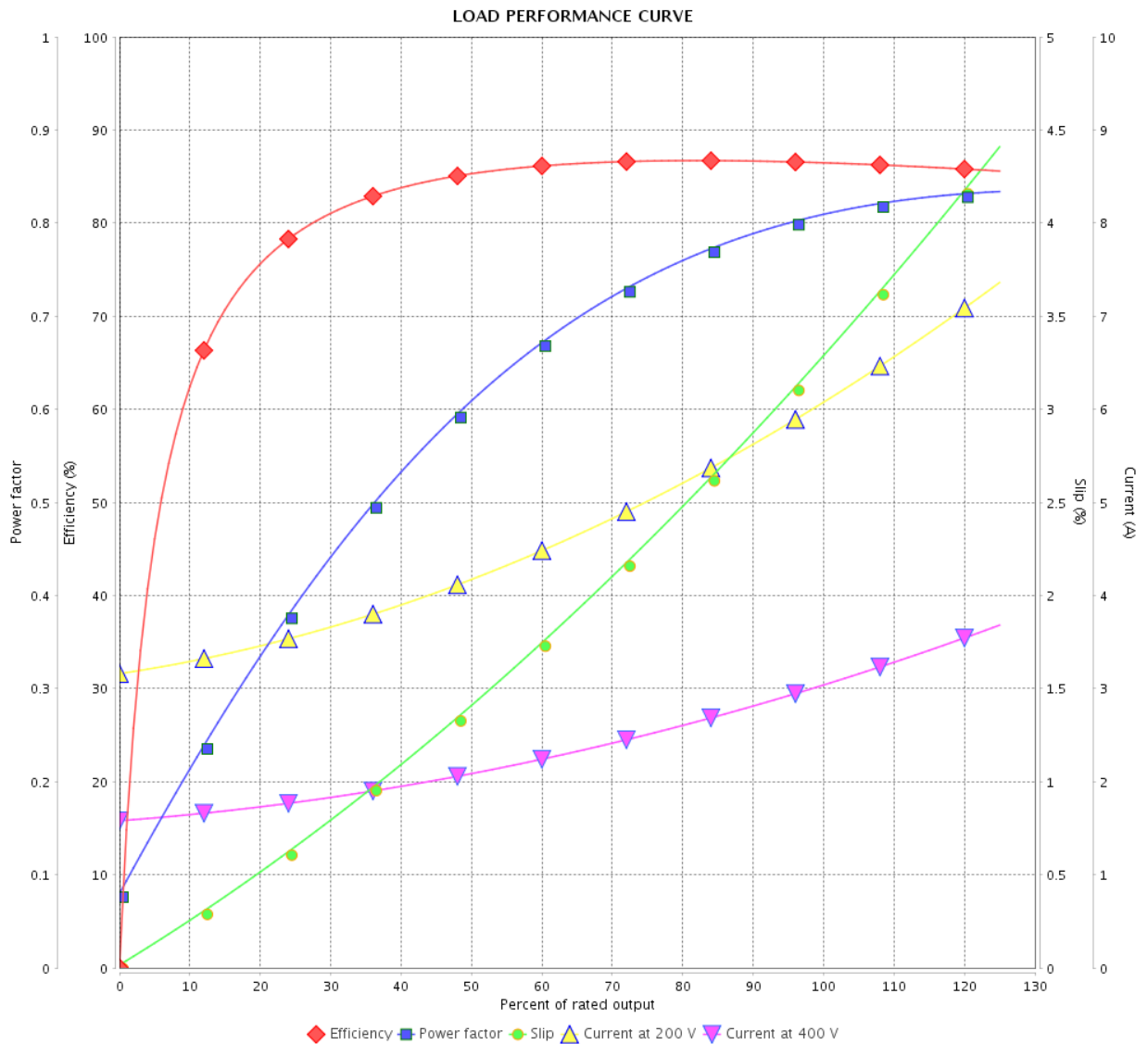


Customer :

Product line : JM Pump NEMA Premium Efficiency Three-Phase

Product code : 12845335

Catalog # : 00218OT3V145JM-S



Performance : 200/400 V 60 Hz 4P

Rated current : 6.19/3.09 A
 LRC : 7.7
 Rated torque : 6.04 ft.lb
 Locked rotor torque : 260 %
 Breakdown torque : 320 %
 Rated speed : 1740 rpm

Moment of inertia (J) : 0.1168 sq.ft.lb
 Duty cycle : Cont.(S1)
 Insulation class : F
 Service factor : 1.15
 Temperature rise : 80 K
 Design : B

Rev.	Changes Summary	Performed	Checked	Date
Performed by			Page	Revision
Checked by				
Date				

THERMAL LIMIT CURVE



Three Phase Induction Motor - Squirrel Cage

Customer :

Product line : JM Pump NEMA Premium
Efficiency Three-Phase

Product code : 12845335

Catalog # : 00218OT3V145JM-S

Performance : 200/400 V 60 Hz 4P

Rated current : 6.19/3.09 A
LRC : 7.7
Rated torque : 6.04 ft.lb
Locked rotor torque : 260 %
Breakdown torque : 320 %
Rated speed : 1740 rpm

Moment of inertia (J) : 0.1168 sq.ft.lb
Duty cycle : Cont.(S1)
Insulation class : F
Service factor : 1.15
Temperature rise : 80 K
Design : B

Heating constant

Cooling constant

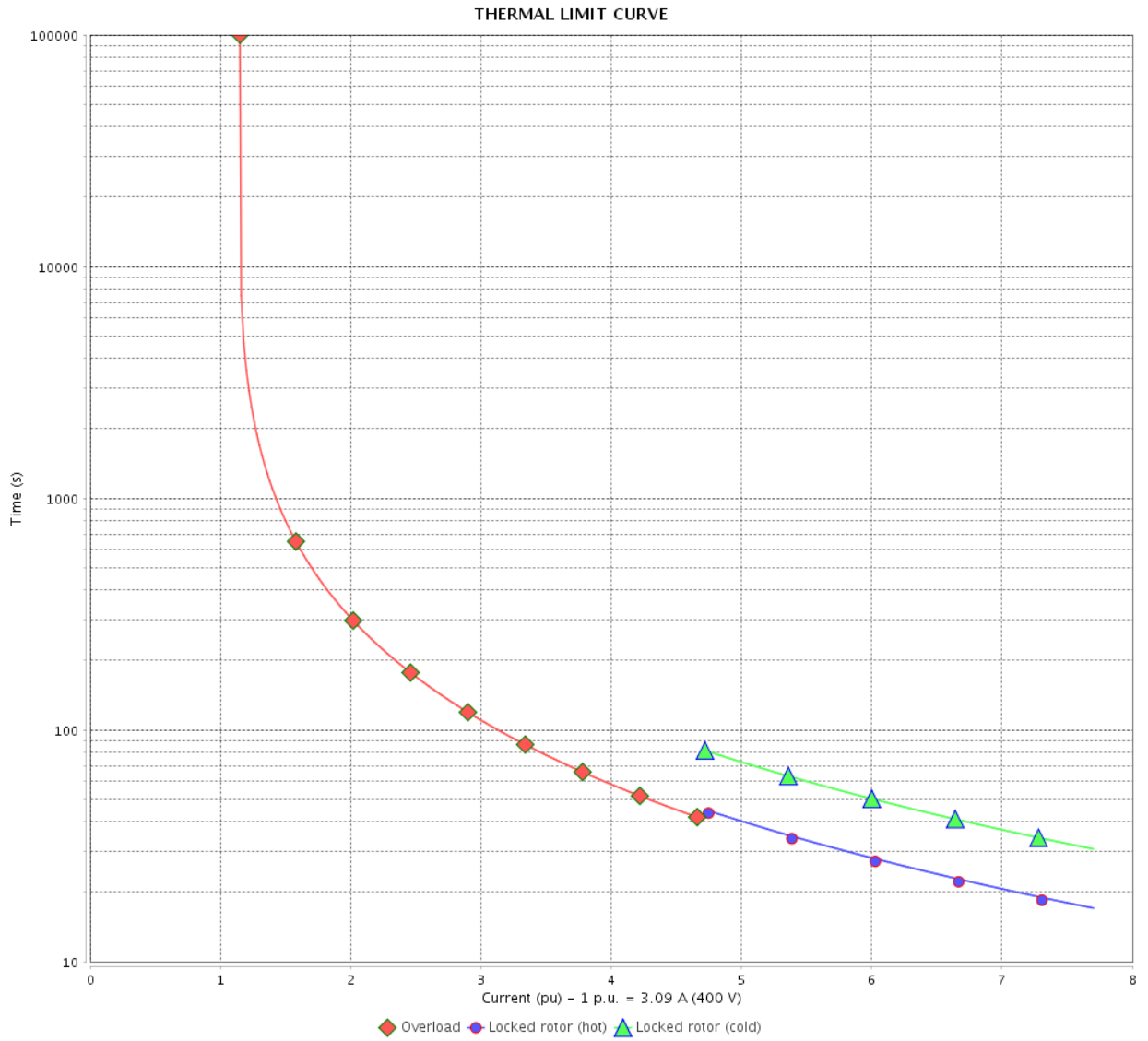
Rev.	Changes Summary	Performed	Checked	Date
Performed by				
Checked by			Page	Revision
Date	14/04/2022		4 / 6	

THERMAL LIMIT CURVE

Three Phase Induction Motor - Squirrel Cage



Customer : _____



Rev.	Changes Summary	Performed	Checked	Date
Performed by		Page		Revision
Checked by				
Date				

VFD OPERATION CURVE

Three Phase Induction Motor - Squirrel Cage

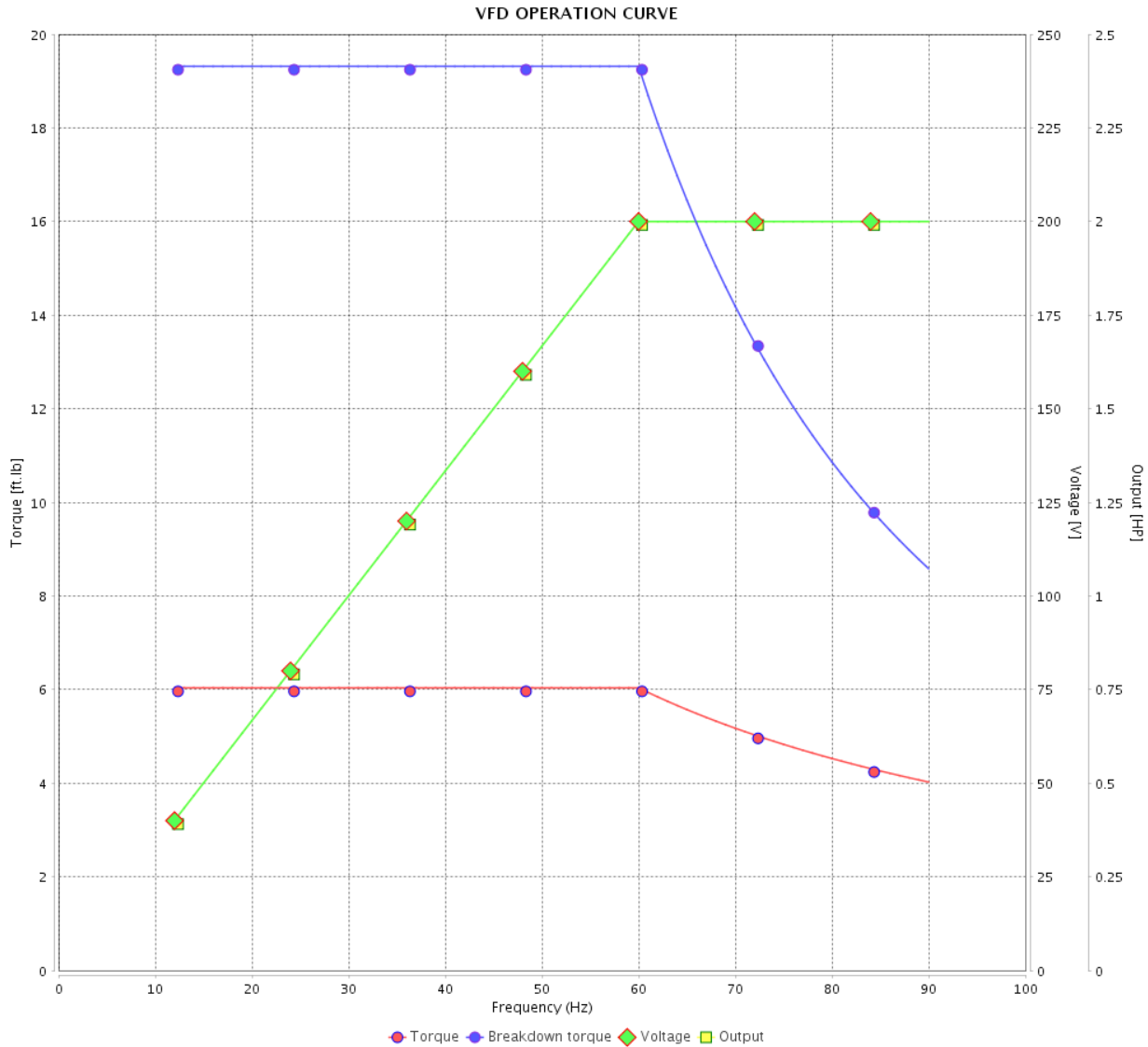


Customer :

Product line : JM Pump NEMA Premium Efficiency Three-Phase

Product code : 12845335

Catalog # : 00218OT3V145JM-S



Performance : 200/400 V 60 Hz 4P

Rated current : 6.19/3.09 A
 LRC : 7.7
 Rated torque : 6.04 ft.lb
 Locked rotor torque : 260 %
 Breakdown torque : 320 %
 Rated speed : 1740 rpm

Moment of inertia (J) : 0.1168 sq.ft.lb
 Duty cycle : Cont.(S1)
 Insulation class : F
 Service factor : 1.15
 Temperature rise : 80 K
 Design : B

Rev.	Changes Summary	Performed	Checked	Date
Performed by			Page	Revision
Checked by				
Date				

1 2 3 4 5 6

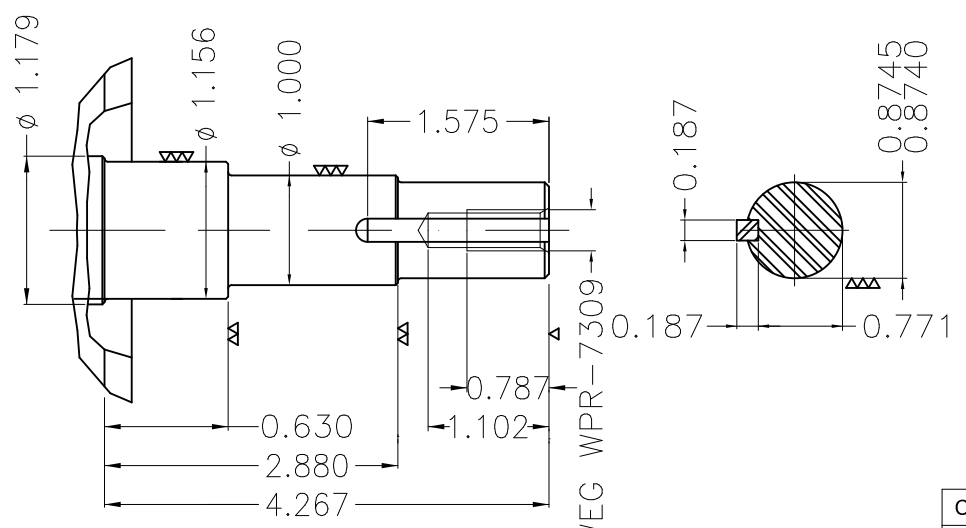
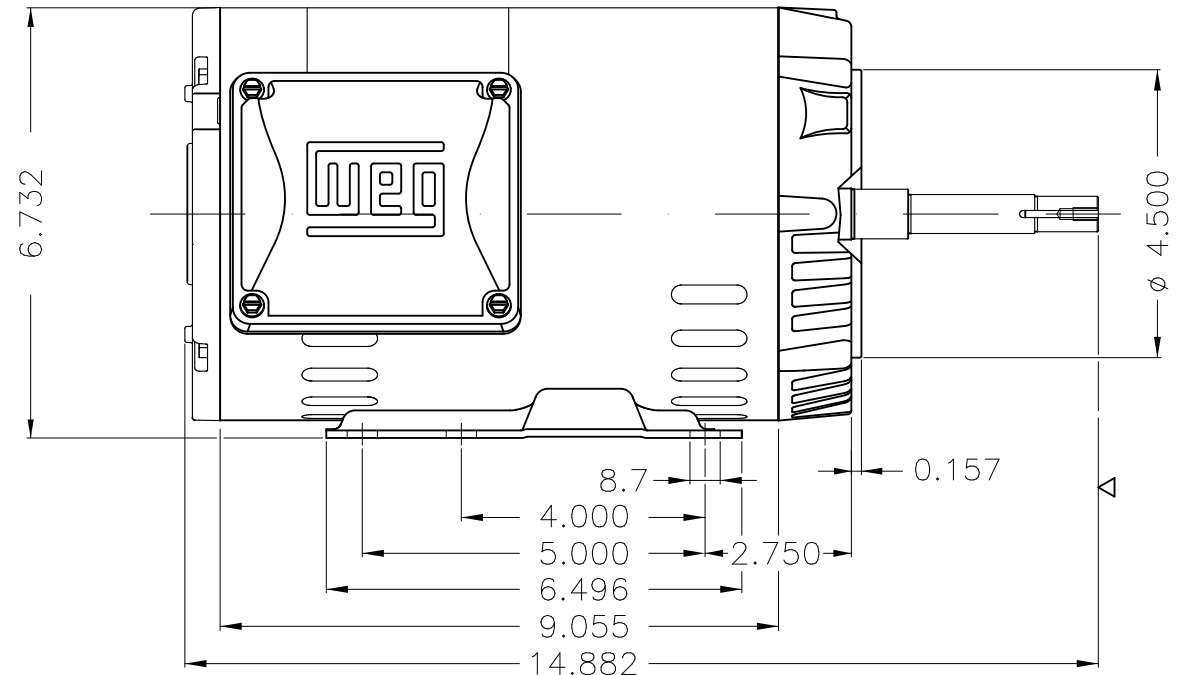
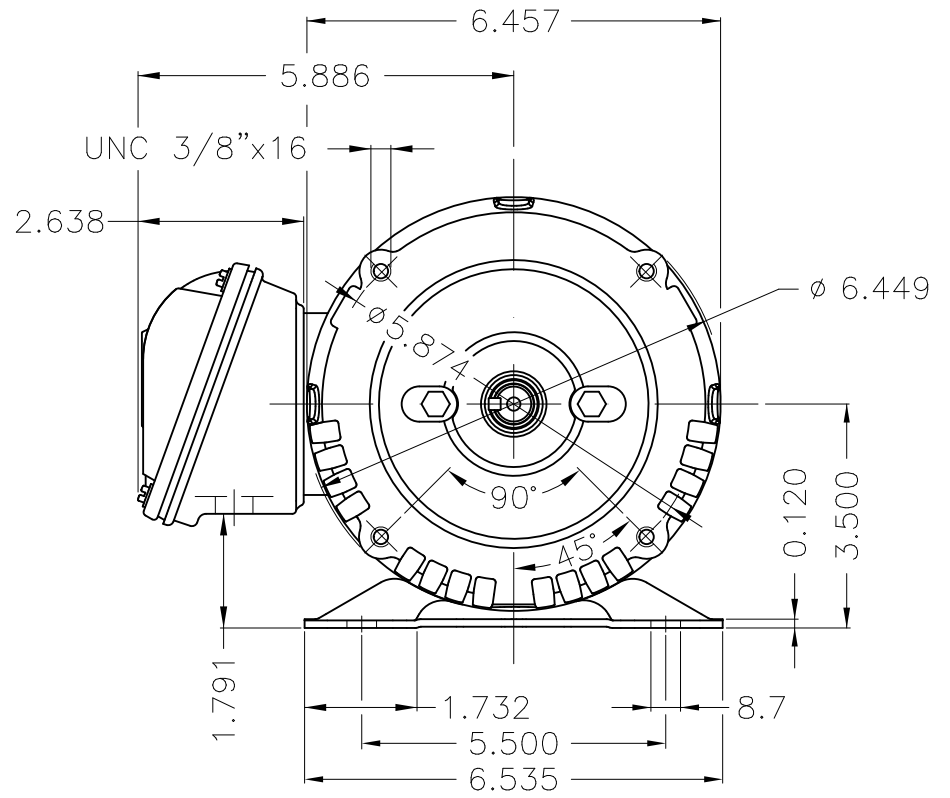
A

B

C

D

E



EUNC 3/8" - 16 WEG WPR-7309

DE Shaft End

Color Munsell N 1 matte black									
Painting plan 207N									
Mounting F-1/B34R(D)									
ECM	LOC	SUMMARY OF MODIFICATIONS			EXECUTED	CHECKED	RELEASED	DATE	VER
EXECUTED	PIRWUSER	THREE PH. MOTOR ROLLED STEEL CLOSE COUPLED PUMP JN TYPE PSE 143							
CHECKED		FRAME 143/5JM IP21 ODP							
RELEASED									
REL DT.		WMO	Jaragua do Sul	Product Engineering					

2 HP 04 Poles 60 Hz

PREVIEW
WDD
SHEET 1 / 1





NEMA
Premium



3PT9
UL US LISTED



Energy Verified

MADE IN MEXICO

MAT: 12845335 CC029A

W01.T00IC0X0N

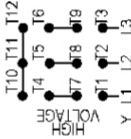
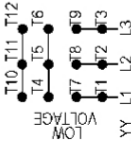
MODEL 002180T3V145JM-S

18MAR2022 B/N:

PH 3	Hz 60	HP 2.0
FR 143/5JM		KW 1.5
DUTY CONT.		V 200/400
ALT 1000 m.a.s.l.		A 6.19/3.09
INS CL F AT 80K		SFA 7.12/3.55
AMB 40°C	DES B	SF 1.15
ENCL ODP	CODE K	PF 0.81
		RPM 1740
		NEMA NOM. EFF 86.5%

Inverter duty motor For use on VPWM 1000:1 VT, 5:1 CT

DE 6206-ZZ	ODE 6203-ZZ	MOBIL POLYREX EM
-------------------	--------------------	-------------------------



T1-BLU T2-WHT
 T3-ORG T4-YEL
 T5-BLK T6-GRY
 T7-PNK T8-RED
 T9-BRK RED
 T10-CURRY
 T11-GRN T12-VLT

INTERCHANGE ANY TWO LINE WIRES TO REVERSE THE ROTATION

WARNING: Motor must be grounded in accordance with local and national electrical codes to prevent serious electrical shocks. Disconnect power source before servicing unit.



AVERTISSEMENT: Le moteur doit être mis à la terre

conformément aux codes électriques locaux et nationaux afin d'éviter tout choc électrique grave. Déconnectez l'alimentation avant l'entretien de la machine.

