

DATA SHEET



Three Phase Induction Motor - Squirrel Cage

Customer :																			
Product line	: NEMA Premium Efficiency Three-Phase																		
Product code :	12792532																		
Catalog # :	00218OT3V145T-SG																		
Frame : 143/5T Output : 2 HP (1.5 kW) Poles : 4 Frequency : 60 Hz Rated voltage : 200/400 V Rated current : 6.19/3.09 A L. R. Amperes : 47.6/23.8 A LRC : 7.7x(Code K) No load current : 3.16/1.58 A Rated speed : 1740 rpm Slip : 3.33 % Rated torque : 6.04 ft.lb Locked rotor torque : 260 % Breakdown torque : 320 % Insulation class : F Service factor : 1.15 Moment of inertia (J) : 0.1168 sq.ft.lb Design : B	Locked rotor time : 30s (cold) 17s (hot) Temperature rise : 80 K Duty cycle : Cont.(S1) Ambient temperature : -20°C to +40°C Altitude : 1000 m.a.s.l. Cooling method : IC01 - ODP Mounting : F-1 Rotation ¹ : Both (CW and CCW) Noise level ² : 52.0 dB(A) Starting method : Direct On Line Approx. weight ³ : 40.2 lb																		
Output	25% 50% 75% 100%																		
Efficiency (%)	85.2 85.5 86.5 86.5																		
Power Factor	0.36 0.61 0.74 0.81																		
Foundation loads																			
Max. traction : 148 lb																			
Max. compression : 188 lb																			
<table border="0" style="width:100%;"> <tr> <td></td> <td style="text-align: center;"><u>Drive end</u></td> <td style="text-align: center;"><u>Non drive end</u></td> </tr> <tr> <td>Bearing type :</td> <td style="text-align: center;">6205 ZZ</td> <td style="text-align: center;">6203 ZZ</td> </tr> <tr> <td>Sealing :</td> <td style="text-align: center;">Without Bearing Seal</td> <td style="text-align: center;">Without Bearing Seal</td> </tr> <tr> <td>Lubrication interval :</td> <td style="text-align: center;">-</td> <td style="text-align: center;">-</td> </tr> <tr> <td>Lubricant amount :</td> <td style="text-align: center;">-</td> <td style="text-align: center;">-</td> </tr> <tr> <td>Lubricant type :</td> <td colspan="2" style="text-align: center;">Mobil Polyrex EM</td> </tr> </table>			<u>Drive end</u>	<u>Non drive end</u>	Bearing type :	6205 ZZ	6203 ZZ	Sealing :	Without Bearing Seal	Without Bearing Seal	Lubrication interval :	-	-	Lubricant amount :	-	-	Lubricant type :	Mobil Polyrex EM	
	<u>Drive end</u>	<u>Non drive end</u>																	
Bearing type :	6205 ZZ	6203 ZZ																	
Sealing :	Without Bearing Seal	Without Bearing Seal																	
Lubrication interval :	-	-																	
Lubricant amount :	-	-																	
Lubricant type :	Mobil Polyrex EM																		
Notes																			
This revision replaces and cancel the previous one, which must be eliminated. (1) Looking the motor from the shaft end. (2) Measured at 1m and with tolerance of +3dB(A). (3) Approximate weight subject to changes after manufacturing process. (4) At 100% of full load.																			
These are average values based on tests with sinusoidal power supply, subject to the tolerances stipulated in NEMA MG-1.																			
Rev.	Changes Summary	Performed	Checked	Date															
Performed by																			
Checked by			Page	Revision															
Date	14/04/2022		1 / 6																

TORQUE AND CURRENT VS SPEED CURVE

Three Phase Induction Motor - Squirrel Cage



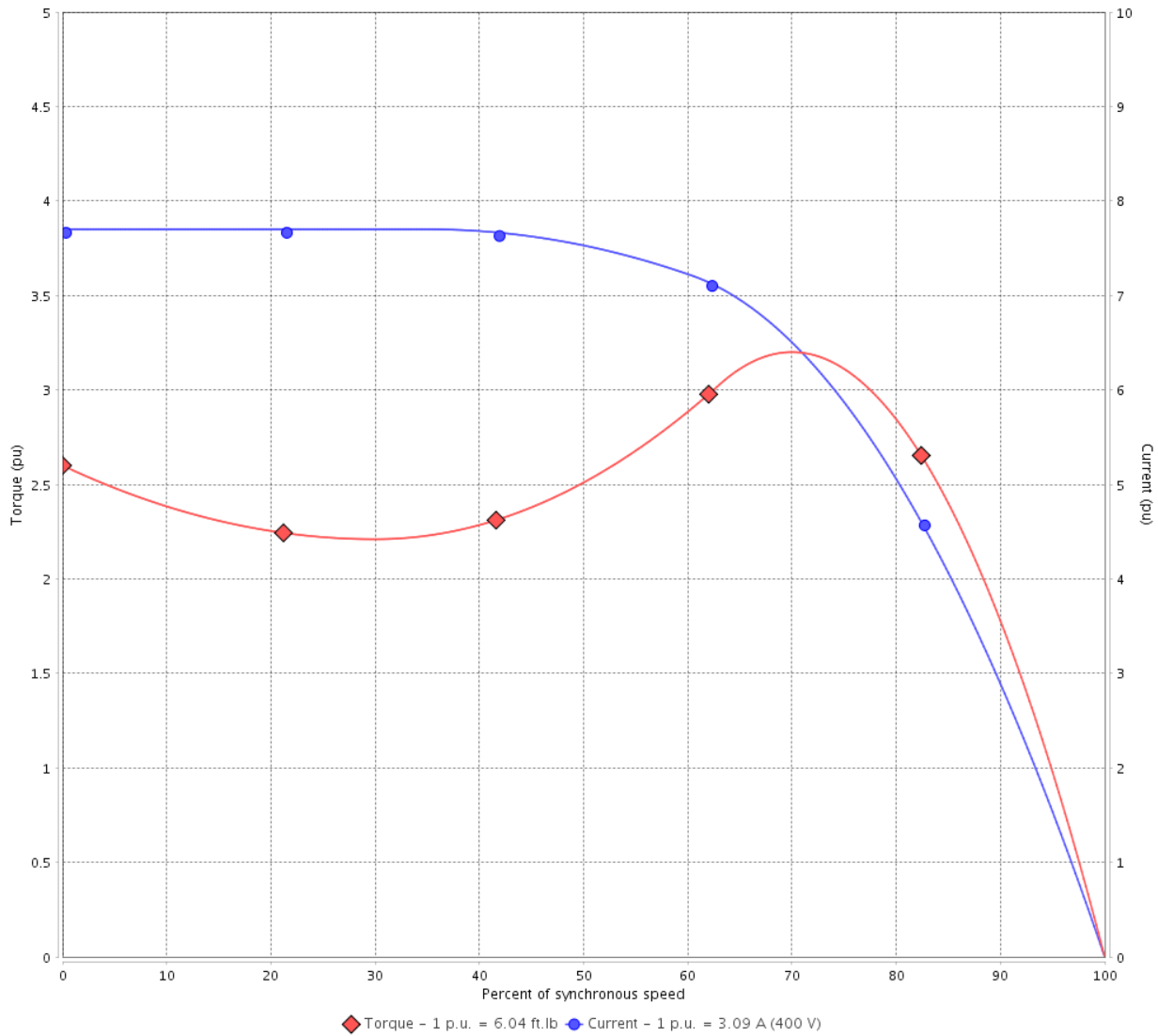
Customer :

Product line : NEMA Premium Efficiency Three-Phase

Product code : 12792532

Catalog # : 00218OT3V145T-SG

TORQUE AND CURRENT VS SPEED CURVE



Performance : 200/400 V 60 Hz 4P

Rated current	: 6.19/3.09 A	Moment of inertia (J)	: 0.1168 sq.ft.lb
LRC	: 7.7	Duty cycle	: Cont.(S1)
Rated torque	: 6.04 ft.lb	Insulation class	: F
Locked rotor torque	: 260 %	Service factor	: 1.15
Breakdown torque	: 320 %	Temperature rise	: 80 K
Rated speed	: 1740 rpm	Design	: B

Locked rotor time : 30s (cold) 17s (hot)

Rev.	Changes Summary	Performed	Checked	Date
Performed by			Page 2 / 6	Revision
Checked by				
Date	14/04/2022			

LOAD PERFORMANCE CURVE

Three Phase Induction Motor - Squirrel Cage

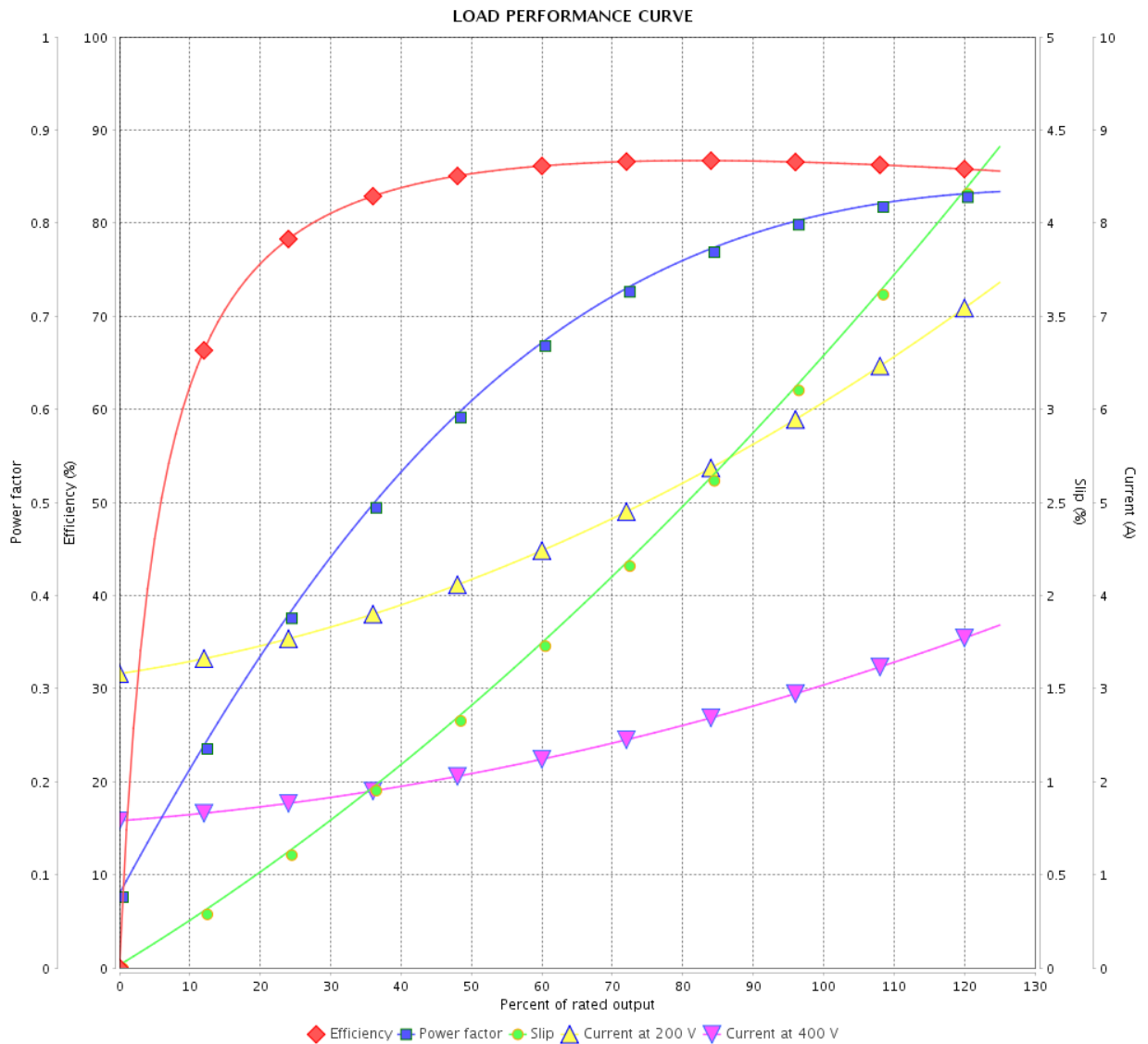


Customer : _____

Product line : NEMA Premium Efficiency Three-Phase

Product code : 12792532

Catalog # : 00218OT3V145T-SG



Performance : 200/400 V 60 Hz 4P

Rated current : 6.19/3.09 A
 LRC : 7.7
 Rated torque : 6.04 ft.lb
 Locked rotor torque : 260 %
 Breakdown torque : 320 %
 Rated speed : 1740 rpm

Moment of inertia (J) : 0.1168 sq.ft.lb
 Duty cycle : Cont.(S1)
 Insulation class : F
 Service factor : 1.15
 Temperature rise : 80 K
 Design : B

Rev.	Changes Summary	Performed	Checked	Date
Performed by			Page	Revision
Checked by				
Date				

THERMAL LIMIT CURVE



Three Phase Induction Motor - Squirrel Cage

Customer :

Product line : NEMA Premium Efficiency Three-Phase
 Product code : 12792532
 Catalog # : 00218OT3V145T-SG

Performance : 200/400 V 60 Hz 4P

Rated current : 6.19/3.09 A	Moment of inertia (J) : 0.1168 sq.ft.lb
LRC : 7.7	Duty cycle : Cont.(S1)
Rated torque : 6.04 ft.lb	Insulation class : F
Locked rotor torque : 260 %	Service factor : 1.15
Breakdown torque : 320 %	Temperature rise : 80 K
Rated speed : 1740 rpm	Design : B

Heating constant

Cooling constant

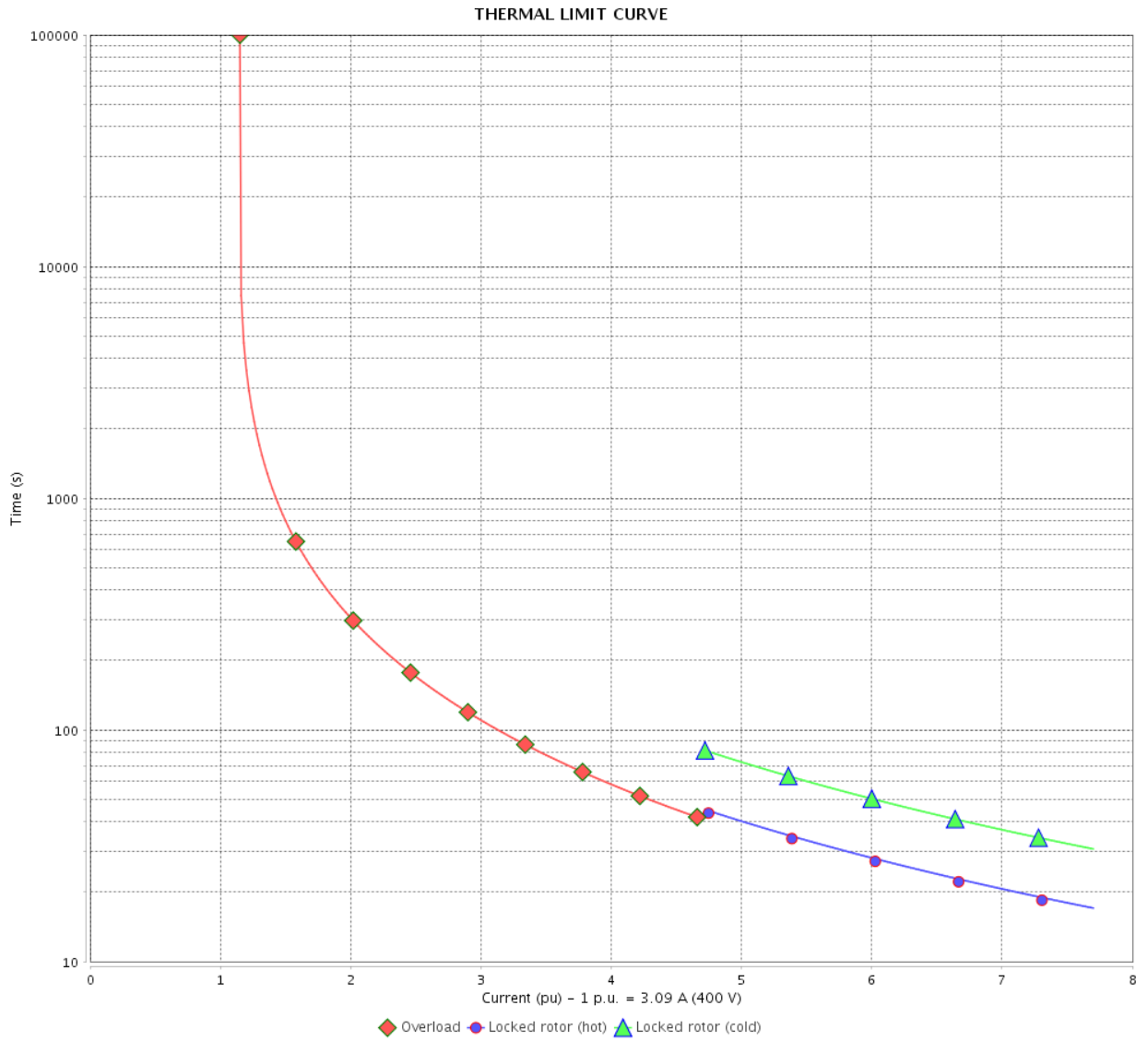
Rev.	Changes Summary	Performed	Checked	Date
Performed by			Page	Revision
Checked by				
Date	14/04/2022			

THERMAL LIMIT CURVE

Three Phase Induction Motor - Squirrel Cage



Customer : _____



Rev.	Changes Summary	Performed	Checked	Date
Performed by				
Checked by				
Date				
			Page	Revision
			5 / 6	

VFD OPERATION CURVE

Three Phase Induction Motor - Squirrel Cage

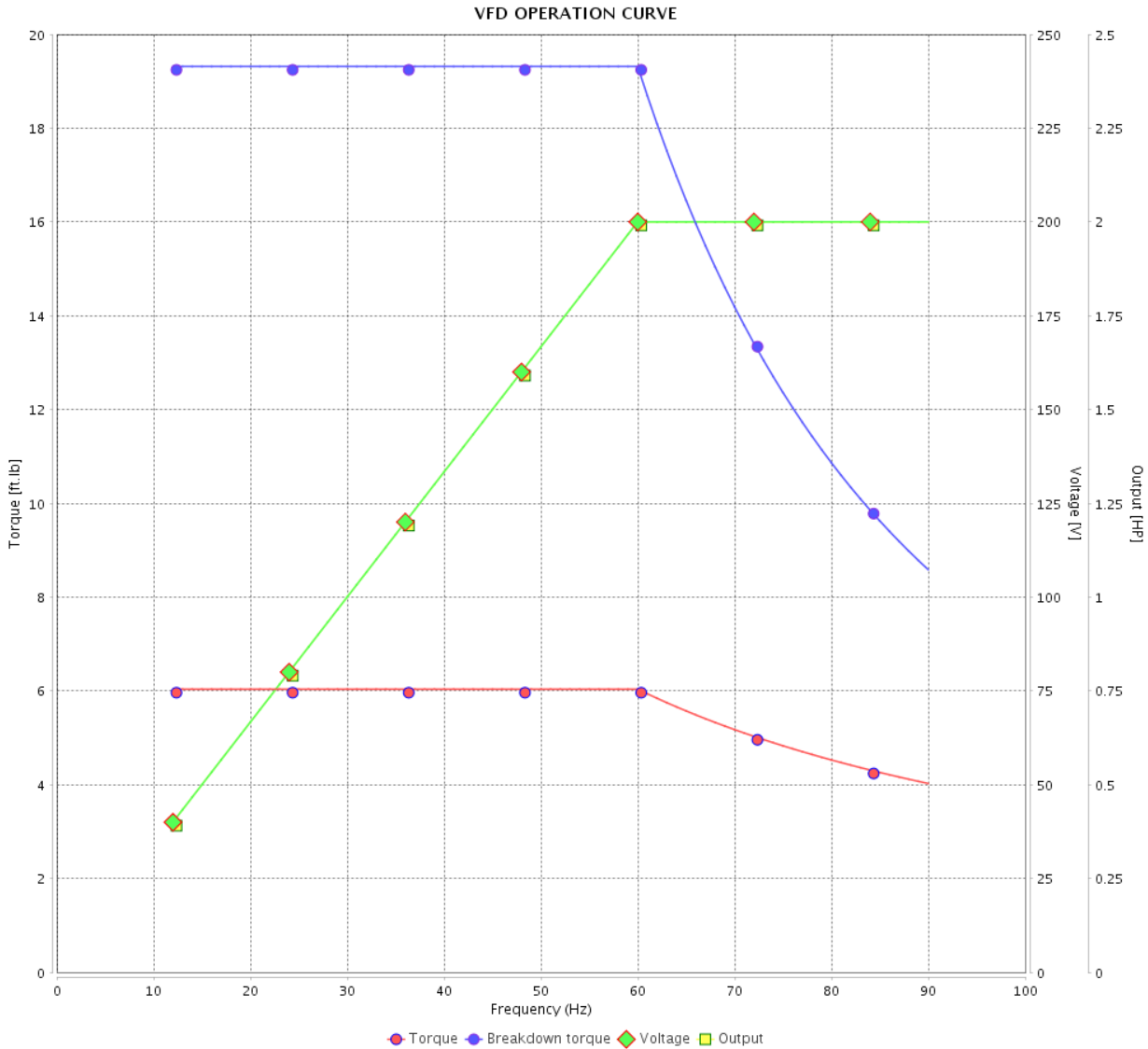


Customer :

Product line : NEMA Premium Efficiency Three-Phase

Product code : 12792532

Catalog # : 002180T3V145T-SG



Performance : 200/400 V 60 Hz 4P

Rated current : 6.19/3.09 A
 LRC : 7.7
 Rated torque : 6.04 ft.lb
 Locked rotor torque : 260 %
 Breakdown torque : 320 %
 Rated speed : 1740 rpm

Moment of inertia (J) : 0.1168 sq.ft.lb
 Duty cycle : Cont.(S1)
 Insulation class : F
 Service factor : 1.15
 Temperature rise : 80 K
 Design : B

Rev.	Changes Summary	Performed	Checked	Date
Performed by			Page	Revision
Checked by				
Date				

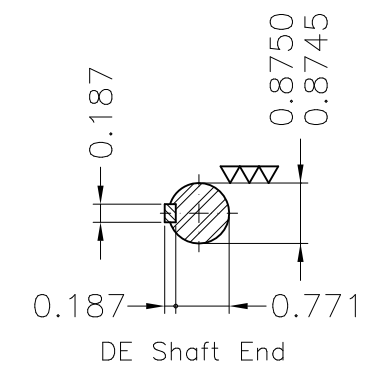
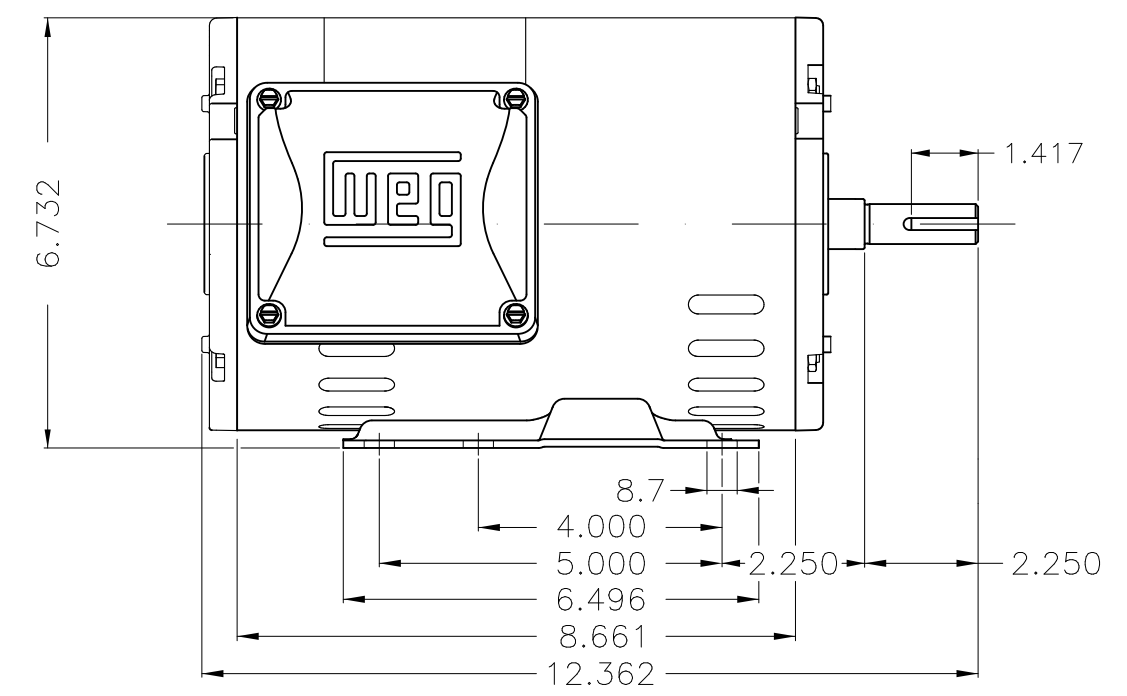
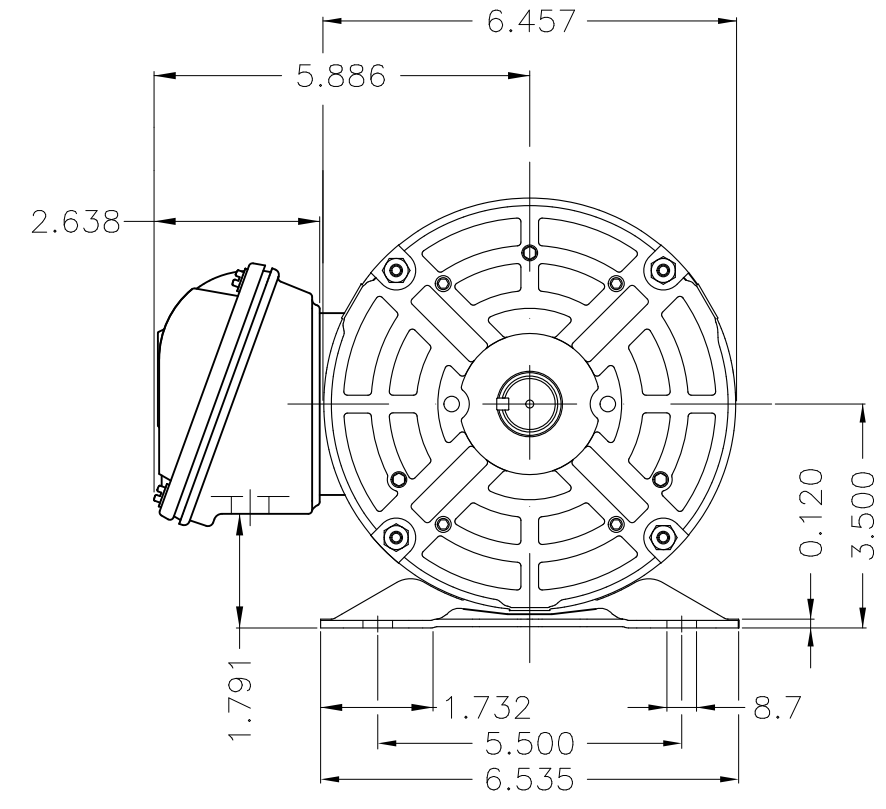
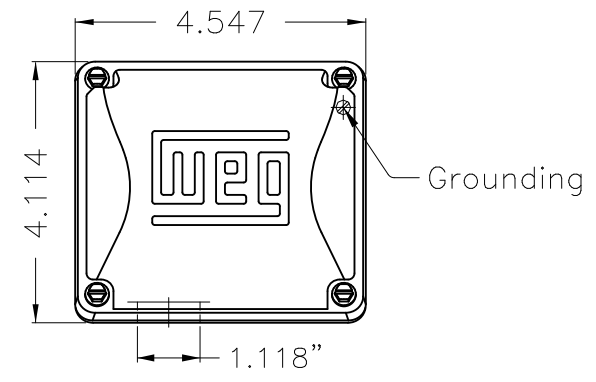
A

B

C

D

E



- Bearing cap
- Internal AEGIS ground ring on the DE
- Color Munsell N 1 matte black
- Painting plan 207N
- Mounting F-1/B3R(D)

ECM	LOC	SUMMARY OF MODIFICATIONS	EXECUTED	CHECKED	RELEASED	DATE	VER
EXECUTED	PIRWBUSER	THREE PH. MOTOR ROLLED STEEL PREM. EFF. FRAME 143/5T IP21 ODP					
CHECKED							
RELEASED							
REL DT.	WMO	Jaragua do Sul	Product Engineering	SHEET	1 / 1		

2 HP 04 Poles 60 Hz

A

PREVIEW
WDD

