

# DATA SHEET

## Three Phase Induction Motor - Squirrel Cage



Customer :				
Product line	: JP Pump NEMA Premium Efficiency Three-Phase	Product code :	13500646	
		Catalog # :	00236OT3E145JPV-S	
Frame	: 143/5JP	Cooling method	: IC01 - ODP	
Insulation class	: F	Mounting	: W-6	
Duty cycle	: Cont.(S1)	Rotation <sup>1</sup>	: Both (CW and CCW)	
Ambient temperature	: -20°C to +40°C	Starting method	: Direct On Line	
Altitude	: 1000 m.a.s.l.	Approx. weight <sup>2</sup>	: 36.8 lb	
Design	: B	Moment of inertia (J)	: 0.1151 sq.ft.lb	
Output [HP]	2	2	2	
Poles	2	2	2	
Frequency [Hz]	60	50	50	
Rated voltage [V]	230/460	190/380	220/415	
Rated current [A]	4.84/2.42	5.82/2.91	5.26/2.79	
L. R. Amperes [A]	43.1/21.5	40.2/20.1	40.0/21.2	
LRC [A]	8.9x(Code K)	6.9x(Code H)	7.6x(Code J)	
No load current [A]	1.83/0.917	1.81/0.906	1.84/0.978	
Rated speed [RPM]	3510	2890	2900	
Slip [%]	2.50	3.67	3.33	
Rated torque [ft.lb]	2.99	3.63	3.62	
Locked rotor torque [%]	220	180	200	
Breakdown torque [%]	330	250	280	
Service factor		1.15	1.15	
Temperature rise	80 K	80 K	80 K	
Locked rotor time	25s (cold) 14s (hot)	0s (cold) 0s (hot)	0s (cold) 0s (hot)	
Noise level <sup>2</sup>	62.0 dB(A)	60.0 dB(A)	60.0 dB(A)	
Efficiency (%)	25%	83.7	85.4	
	50%	84.0	84.7	
	75%	85.5	85.4	
	100%	85.5	84.3	
Power Factor	25%	0.49	0.52	
	50%	0.77	0.80	
	75%	0.86	0.88	
	100%	0.91	0.92	
Bearing type	: <u>Drive end</u> 6206 ZZ <u>Non drive end</u> 6203 ZZ	Foundation loads		
Sealing	: Without Without Bearing Seal Bearing Seal	Max. traction	: 70 lb	
		Max. compression	: 106 lb	
Lubrication interval	: - -			
Lubricant amount	: - -			
Lubricant type	: Mobil Polyrex EM			
Notes USABLE @208V 5.35A SF 1.00 SFA 5.35A				
This revision replaces and cancel the previous one, which must be eliminated. (1) Looking the motor from the shaft end. (2) Measured at 1m and with tolerance of +3dB(A). (3) Approximate weight subject to changes after manufacturing process. (4) At 100% of full load.		These are average values based on tests with sinusoidal power supply, subject to the tolerances stipulated in NEMA MG-1.		
Rev.	Changes Summary	Performed	Checked	Date
Performed by				
Checked by			Page	Revision
Date	13/04/2022		1 /	

# TORQUE AND CURRENT VS SPEED CURVE

Three Phase Induction Motor - Squirrel Cage



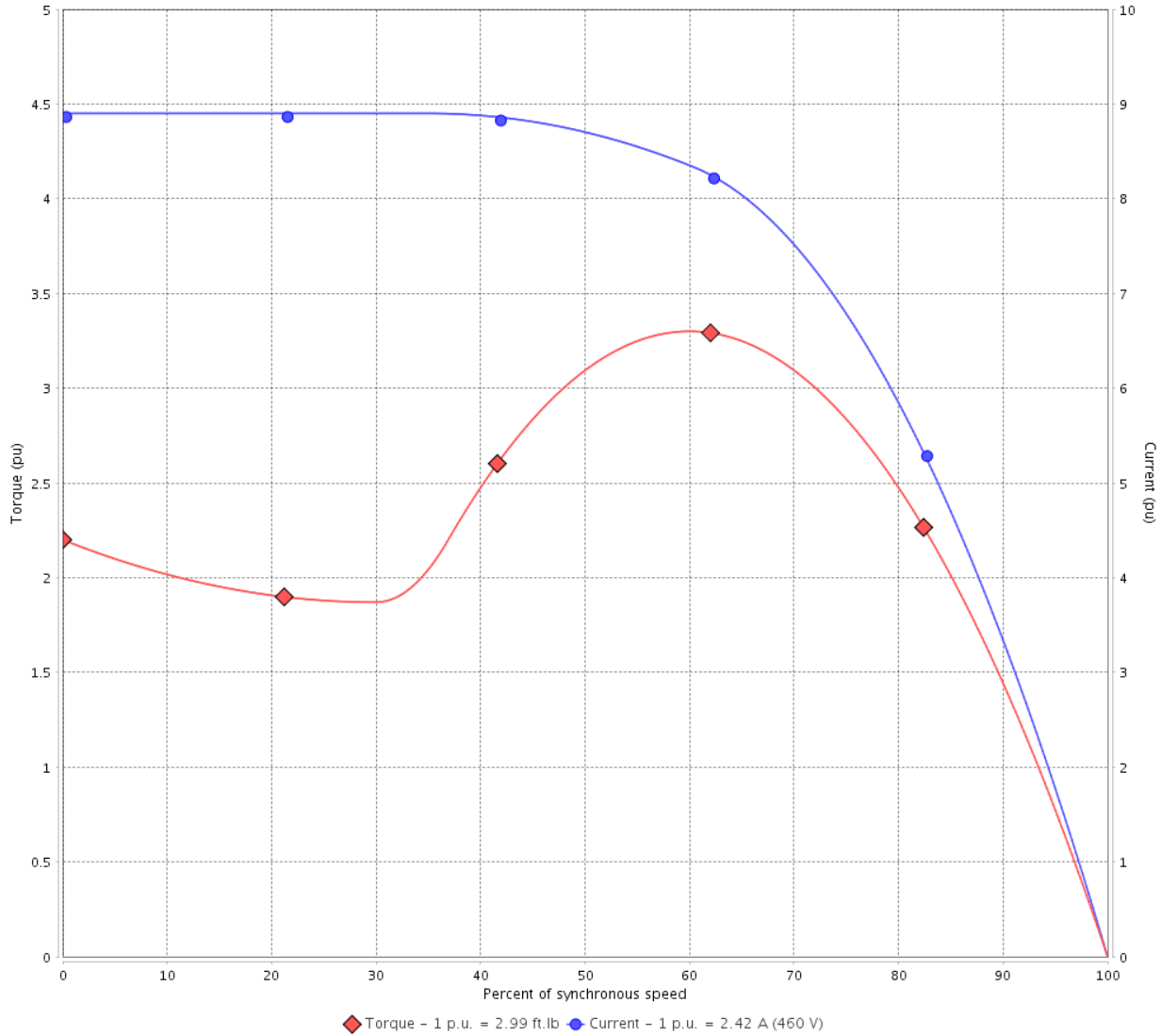
Customer :

Product line : JP Pump NEMA Premium  
Efficiency Three-Phase

Product code : 13500646

Catalog # : 002360T3E145JPV-S

TORQUE AND CURRENT VS SPEED CURVE



Performance : 230/460 V 60 Hz 2P

Rated current : 4.84/2.42 A  
LRC : 8.9  
Rated torque : 2.99 ft.lb  
Locked rotor torque : 220 %  
Breakdown torque : 330 %  
Rated speed : 3510 rpm

Moment of inertia (J) : 0.1151 sq.ft.lb  
Duty cycle : Cont.(S1)  
Insulation class : F  
Service factor :  
Temperature rise : 80 K  
Design : B

Locked rotor time : 25s (cold) 14s (hot)

Rev.	Changes Summary	Performed	Checked	Date
Performed by			Page 2 /	Revision
Checked by				
Date	13/04/2022			

# TORQUE AND CURRENT VS SPEED CURVE



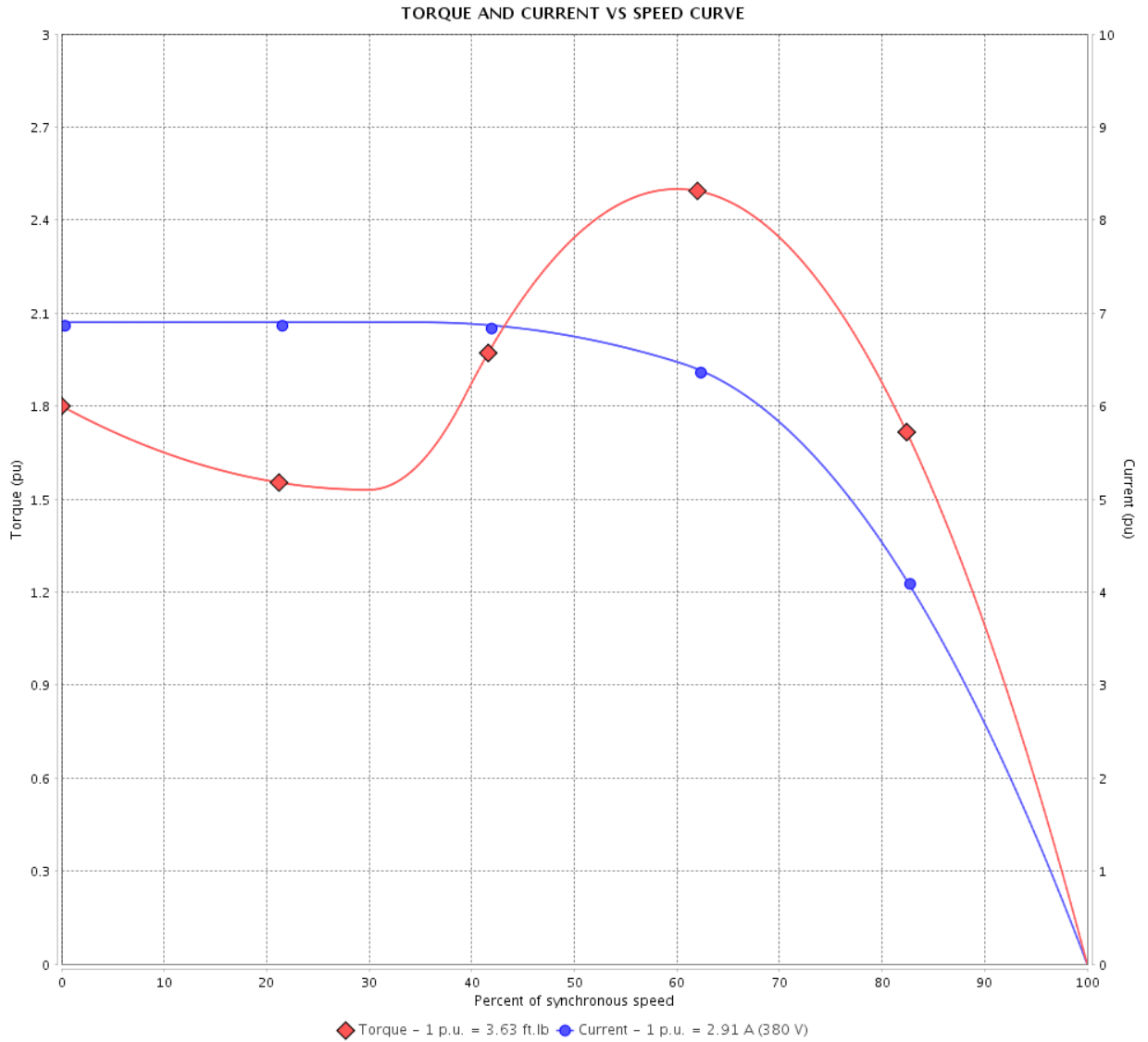
## Three Phase Induction Motor - Squirrel Cage

Customer :

Product line : JP Pump NEMA Premium Efficiency Three-Phase

Product code : 13500646

Catalog # : 00236OT3E145JPV-S



Performance : 190/380 V 50 Hz 2P

Rated current : 5.82/2.91 A  
 LRC : 6.9  
 Rated torque : 3.63 ft.lb  
 Locked rotor torque : 180 %  
 Breakdown torque : 250 %  
 Rated speed : 2890 rpm

Moment of inertia (J) : 0.1151 sq.ft.lb  
 Duty cycle : Cont.(S1)  
 Insulation class : F  
 Service factor : 1.15  
 Temperature rise : 80 K  
 Design : B

Locked rotor time : 0s (cold) 0s (hot)

Rev.	Changes Summary	Performed	Checked	Date
Performed by			Page 3 /	Revision
Checked by				
Date	13/04/2022			

# TORQUE AND CURRENT VS SPEED CURVE

Three Phase Induction Motor - Squirrel Cage



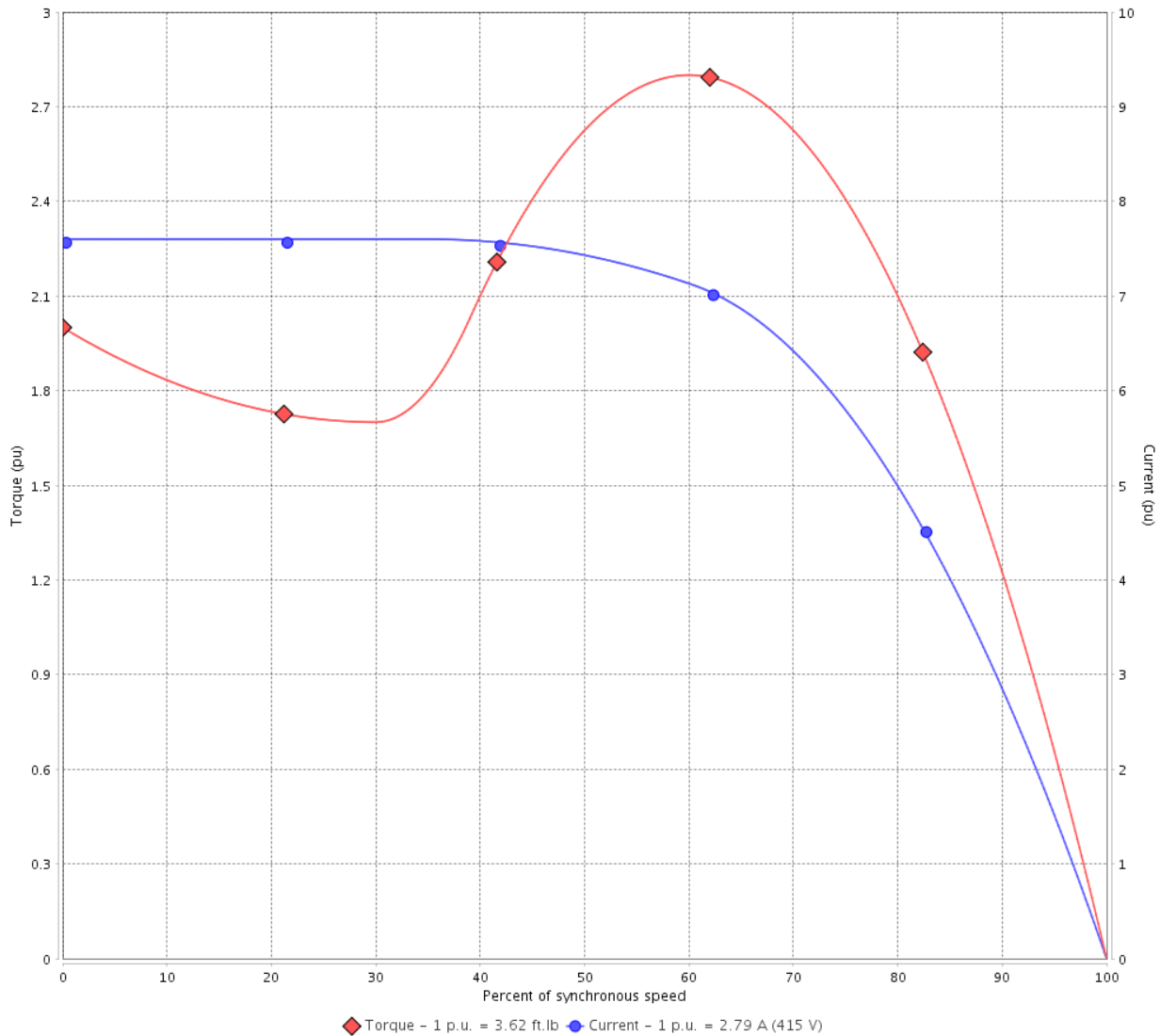
Customer :

Product line : JP Pump NEMA Premium Efficiency Three-Phase

Product code : 13500646

Catalog # : 00236OT3E145JPV-S

TORQUE AND CURRENT VS SPEED CURVE



Performance : 220/415 V 50 Hz 2P

Rated current	: 5.26/2.79 A	Moment of inertia (J)	: 0.1151 sq.ft.lb
LRC	: 7.6	Duty cycle	: Cont.(S1)
Rated torque	: 3.62 ft.lb	Insulation class	: F
Locked rotor torque	: 200 %	Service factor	: 1.15
Breakdown torque	: 280 %	Temperature rise	: 80 K
Rated speed	: 2900 rpm	Design	: B

Locked rotor time : 0s (cold) 0s (hot)

Rev.	Changes Summary	Performed	Checked	Date
Performed by			Page 4 /	Revision
Checked by				
Date	13/04/2022			

# LOAD PERFORMANCE CURVE

## Three Phase Induction Motor - Squirrel Cage

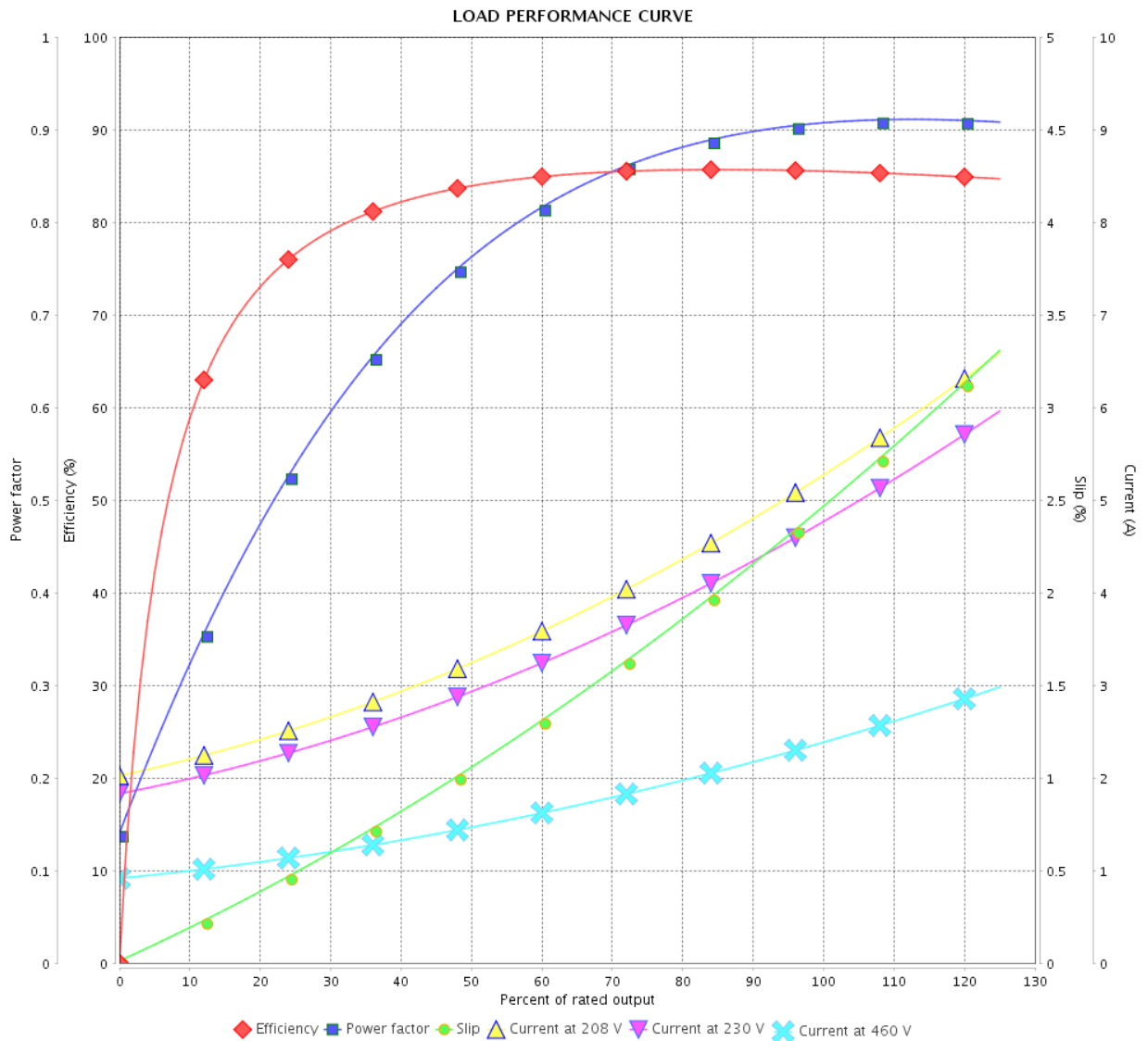


Customer :

Product line : JP Pump NEMA Premium  
Efficiency Three-Phase

Product code : 13500646

Catalog # : 00236OT3E145JPV-S



Performance : 230/460 V 60 Hz 2P

Rated current : 4.84/2.42 A  
 LRC : 8.9  
 Rated torque : 2.99 ft.lb  
 Locked rotor torque : 220 %  
 Breakdown torque : 330 %  
 Rated speed : 3510 rpm

Moment of inertia (J) : 0.1151 sq.ft.lb  
 Duty cycle : Cont.(S1)  
 Insulation class : F  
 Service factor :  
 Temperature rise : 80 K  
 Design : B

Rev.	Changes Summary	Performed	Checked	Date
Performed by			Page	Revision
Checked by			5 /	
Date	13/04/2022			

# LOAD PERFORMANCE CURVE

Three Phase Induction Motor - Squirrel Cage



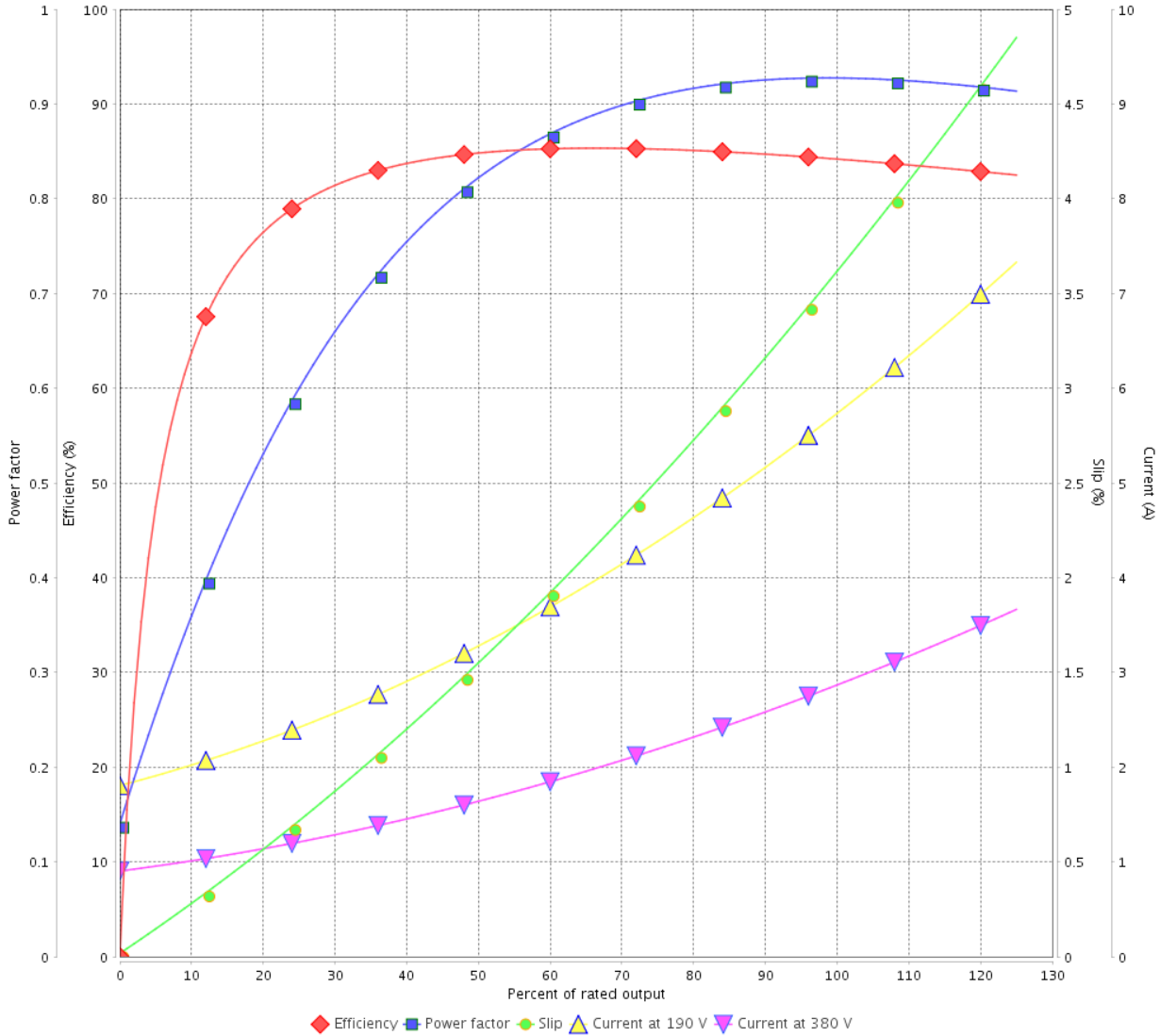
Customer :

Product line : JP Pump NEMA Premium  
Efficiency Three-Phase

Product code : 13500646

Catalog # : 00236OT3E145JPV-S

LOAD PERFORMANCE CURVE



Performance : 190/380 V 50 Hz 2P

Rated current : 5.82/2.91 A  
LRC : 6.9  
Rated torque : 3.63 ft.lb  
Locked rotor torque : 180 %  
Breakdown torque : 250 %  
Rated speed : 2890 rpm

Moment of inertia (J) : 0.1151 sq.ft.lb  
Duty cycle : Cont.(S1)  
Insulation class : F  
Service factor : 1.15  
Temperature rise : 80 K  
Design : B

Rev.	Changes Summary	Performed	Checked	Date
Performed by			Page	Revision
Checked by			6 /	
Date	13/04/2022			

# LOAD PERFORMANCE CURVE

## Three Phase Induction Motor - Squirrel Cage

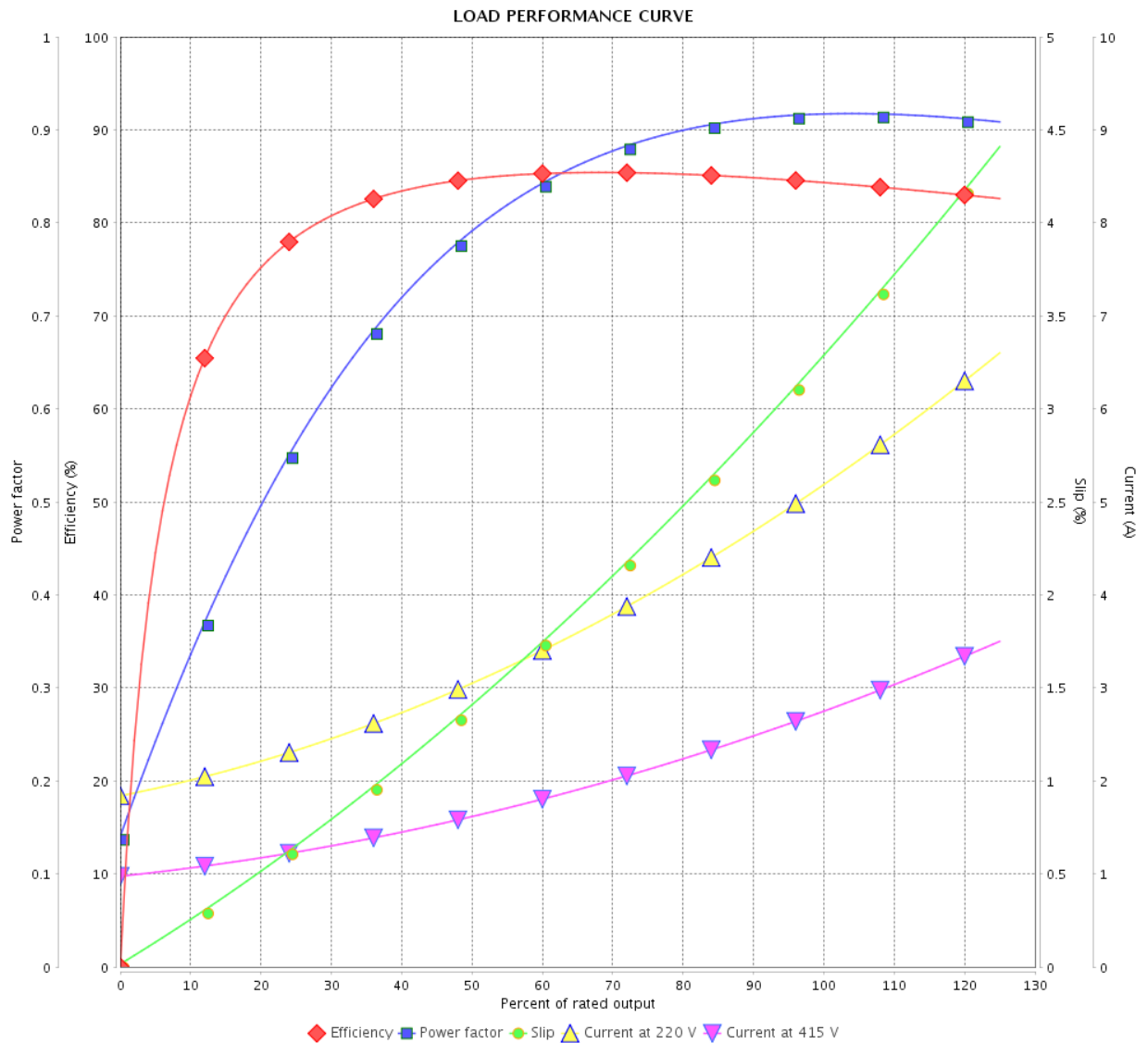


Customer :

Product line : JP Pump NEMA Premium  
Efficiency Three-Phase

Product code : 13500646

Catalog # : 00236OT3E145JPV-S



Performance : 220/415 V 50 Hz 2P

Rated current : 5.26/2.79 A  
 LRC : 7.6  
 Rated torque : 3.62 ft.lb  
 Locked rotor torque : 200 %  
 Breakdown torque : 280 %  
 Rated speed : 2900 rpm

Moment of inertia (J) : 0.1151 sq.ft.lb  
 Duty cycle : Cont.(S1)  
 Insulation class : F  
 Service factor : 1.15  
 Temperature rise : 80 K  
 Design : B

Rev.	Changes Summary	Performed	Checked	Date
Performed by			Page	Revision
Checked by			7 /	
Date	13/04/2022			

# THERMAL LIMIT CURVE



## Three Phase Induction Motor - Squirrel Cage

Customer :

Product line : JP Pump NEMA Premium  
Efficiency Three-Phase

Product code : 13500646

Catalog # : 00236OT3E145JPV-S

Performance : 230/460 V 60 Hz 2P

Rated current : 4.84/2.42 A  
LRC : 8.9  
Rated torque : 2.99 ft.lb  
Locked rotor torque : 220 %  
Breakdown torque : 330 %  
Rated speed : 3510 rpm

Moment of inertia (J) : 0.1151 sq.ft.lb  
Duty cycle : Cont.(S1)  
Insulation class : F  
Service factor :  
Temperature rise : 80 K  
Design : B

Heating constant

Cooling constant

Rev.	Changes Summary	Performed	Checked	Date
Performed by				
Checked by			Page	Revision
Date	13/04/2022		8 /	

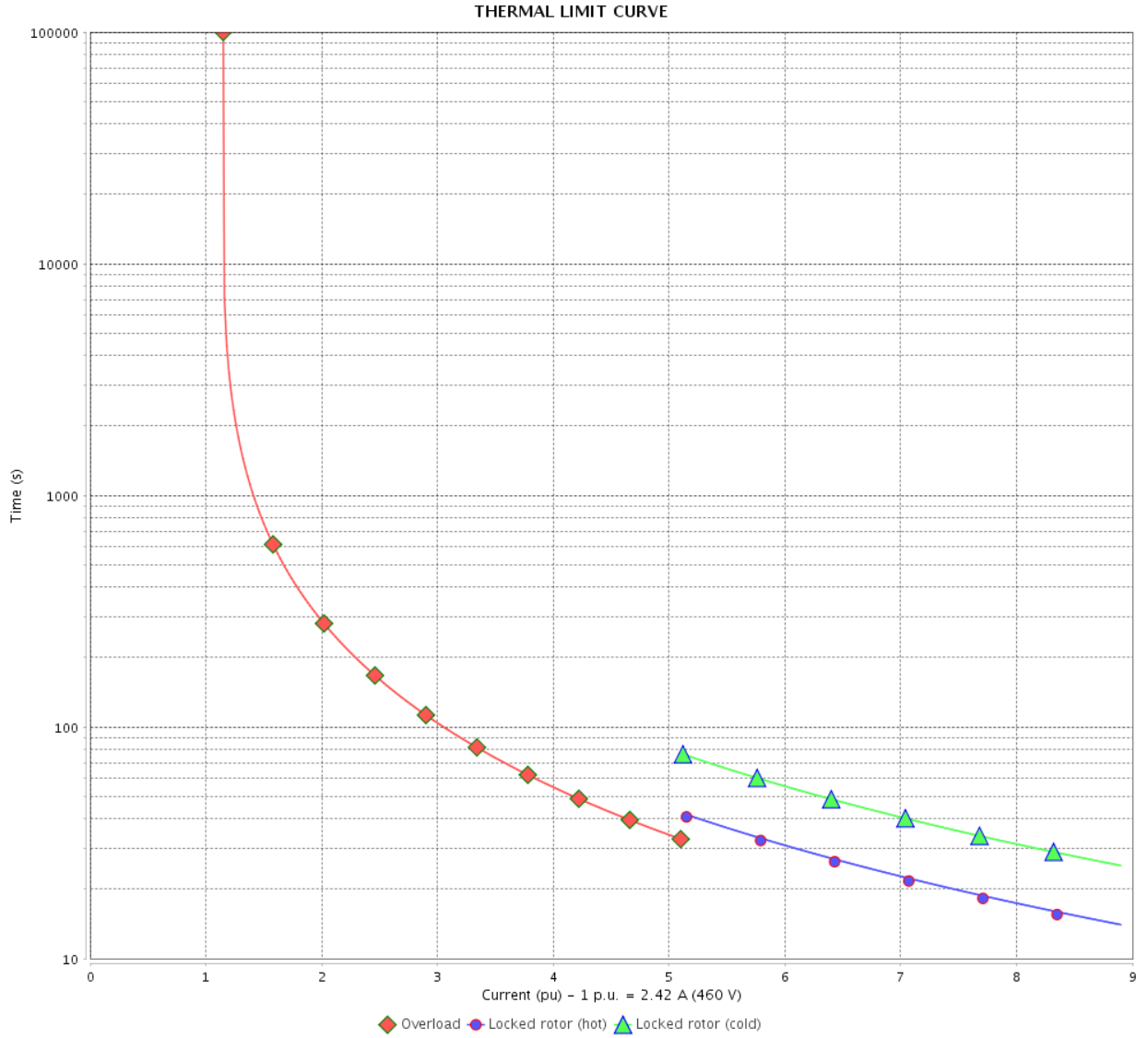


# THERMAL LIMIT CURVE

Three Phase Induction Motor - Squirrel Cage



Customer : \_\_\_\_\_



Rev.	Changes Summary	Performed	Checked	Date
Performed by		Page		Revision
Checked by		9 /		
Date		13/04/2022		

# THERMAL LIMIT CURVE



## Three Phase Induction Motor - Squirrel Cage

Customer :

Product line : JP Pump NEMA Premium  
Efficiency Three-Phase

Product code : 13500646

Catalog # : 00236OT3E145JPV-S

Performance : 190/380 V 50 Hz 2P

Rated current : 5.82/2.91 A  
LRC : 6.9  
Rated torque : 3.63 ft.lb  
Locked rotor torque : 180 %  
Breakdown torque : 250 %  
Rated speed : 2890 rpm

Moment of inertia (J) : 0.1151 sq.ft.lb  
Duty cycle : Cont.(S1)  
Insulation class : F  
Service factor : 1.15  
Temperature rise : 80 K  
Design : B

Heating constant

Cooling constant

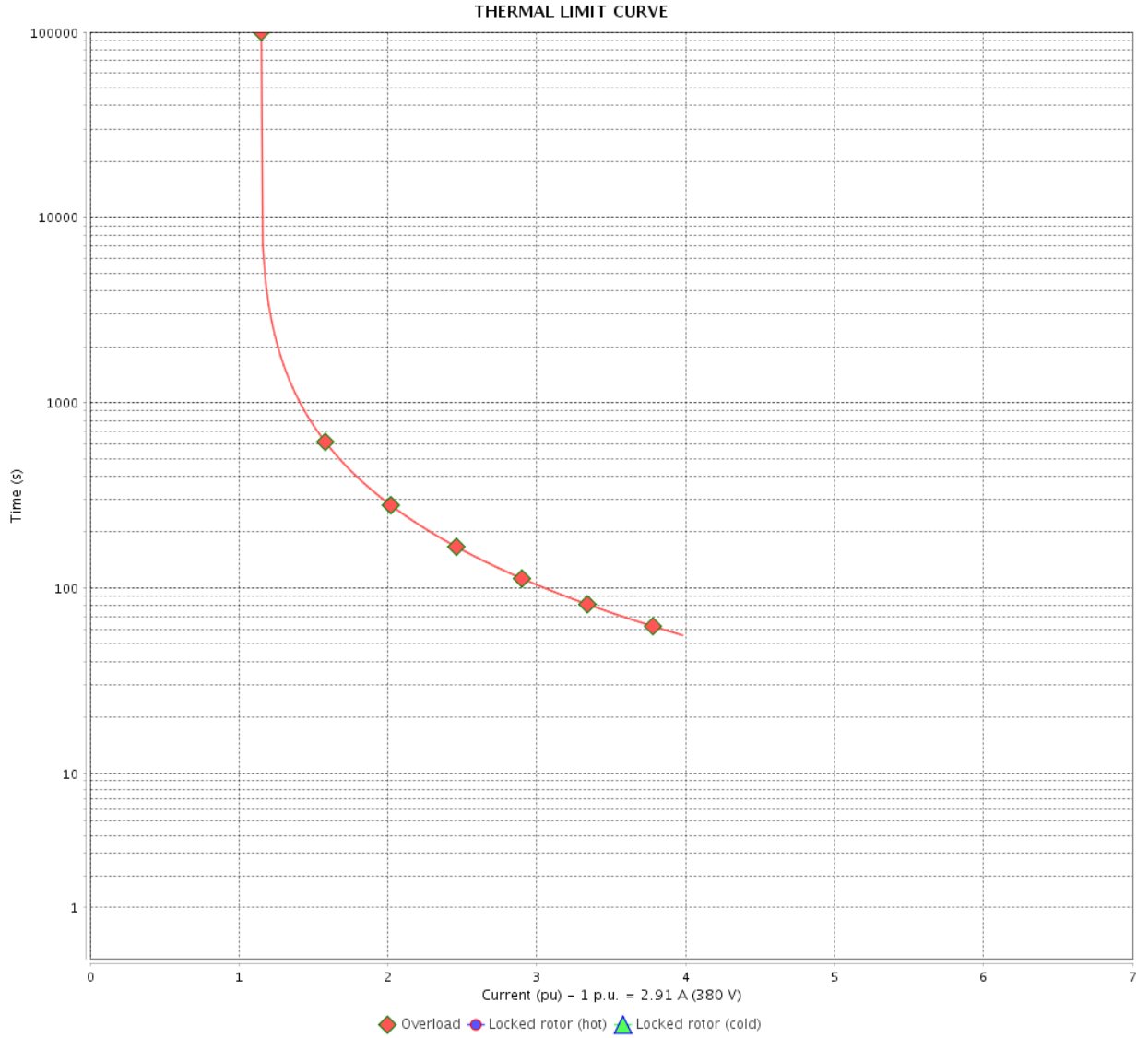
Rev.	Changes Summary	Performed	Checked	Date
Performed by				
Checked by				
Date	13/04/2022		Page	Revision
			10 /	

# THERMAL LIMIT CURVE

Three Phase Induction Motor - Squirrel Cage



Customer : \_\_\_\_\_



Rev.	Changes Summary	Performed	Checked	Date
Performed by		Page		Revision
Checked by		11 /		
Date		13/04/2022		

# THERMAL LIMIT CURVE



## Three Phase Induction Motor - Squirrel Cage

Customer :

Product line : JP Pump NEMA Premium  
Efficiency Three-Phase

Product code : 13500646

Catalog # : 00236OT3E145JPV-S

Performance : 220/415 V 50 Hz 2P

Rated current : 5.26/2.79 A  
LRC : 7.6  
Rated torque : 3.62 ft.lb  
Locked rotor torque : 200 %  
Breakdown torque : 280 %  
Rated speed : 2900 rpm

Moment of inertia (J) : 0.1151 sq.ft.lb  
Duty cycle : Cont.(S1)  
Insulation class : F  
Service factor : 1.15  
Temperature rise : 80 K  
Design : B

Heating constant

Cooling constant

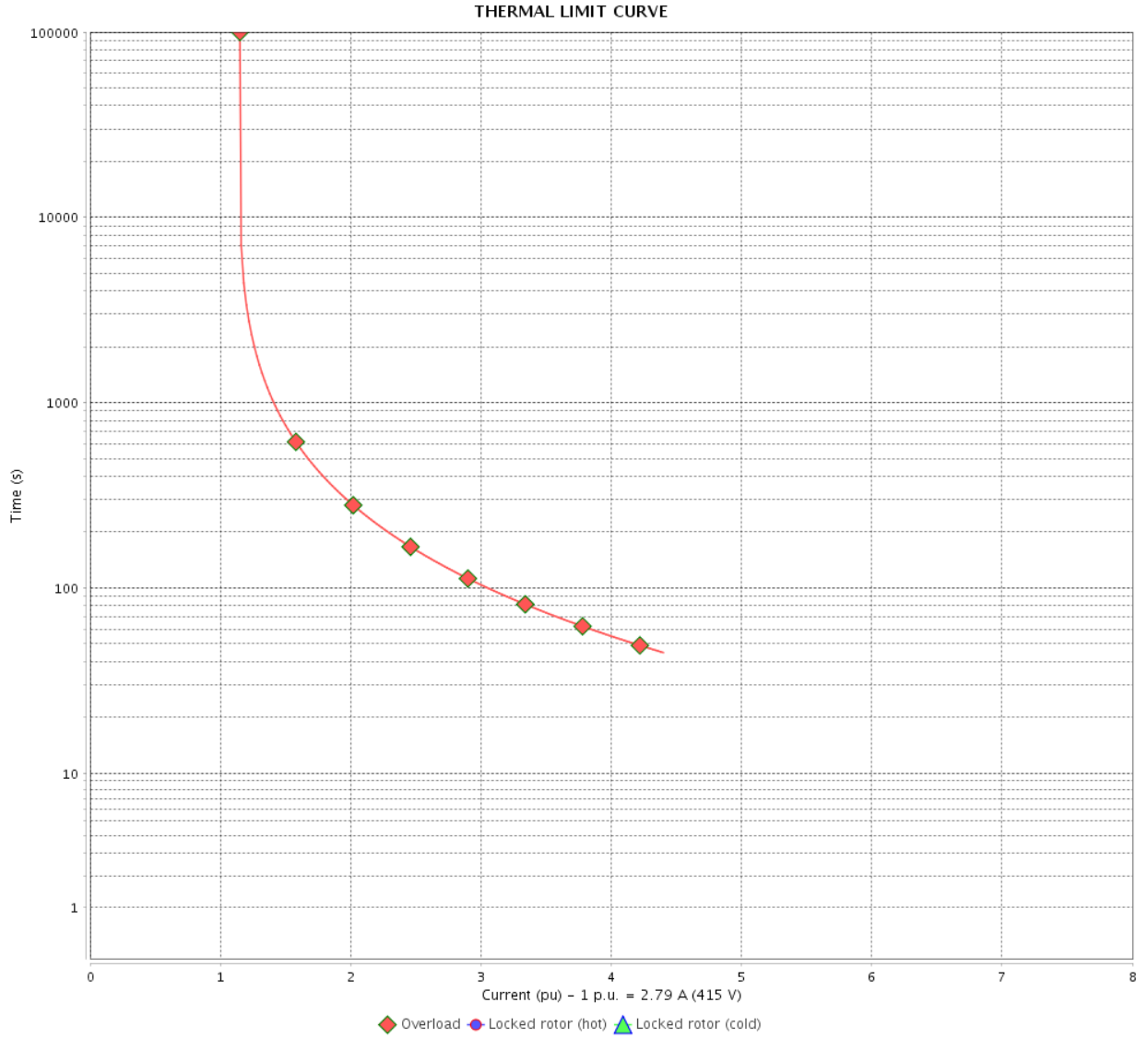
Rev.	Changes Summary	Performed	Checked	Date
Performed by				
Checked by			Page	Revision
Date	13/04/2022		12 /	

# THERMAL LIMIT CURVE

Three Phase Induction Motor - Squirrel Cage



Customer : \_\_\_\_\_



Rev.	Changes Summary	Performed	Checked	Date
Performed by		Page		Revision
Checked by		13 /		
Date		13/04/2022		

# VFD OPERATION CURVE

Three Phase Induction Motor - Squirrel Cage

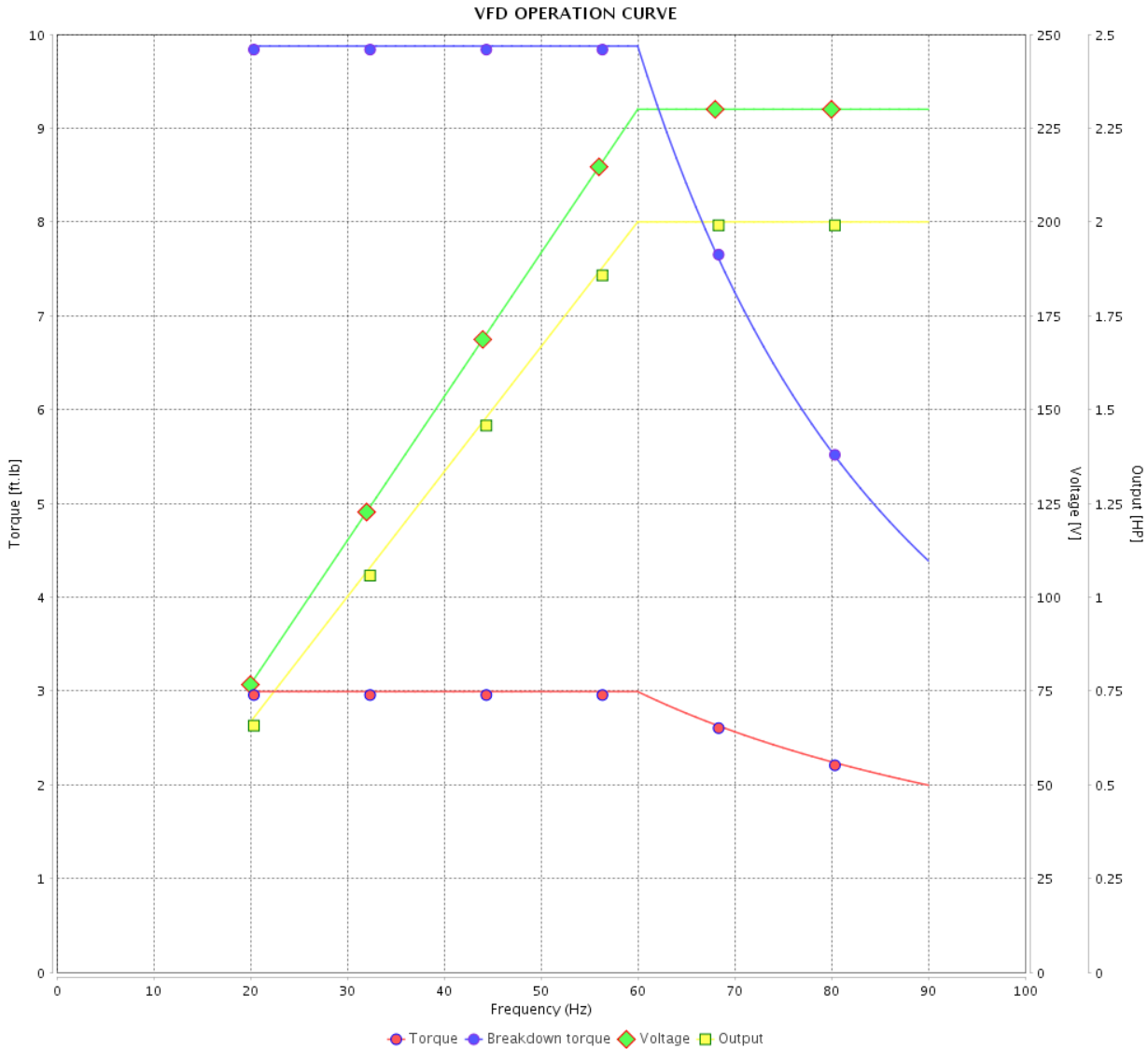


Customer :

Product line : JP Pump NEMA Premium Efficiency Three-Phase

Product code : 13500646

Catalog # : 00236OT3E145JPV-S



Performance : 230/460 V 60 Hz 2P

Rated current : 4.84/2.42 A  
 LRC : 8.9  
 Rated torque : 2.99 ft.lb  
 Locked rotor torque : 220 %  
 Breakdown torque : 330 %  
 Rated speed : 3510 rpm

Moment of inertia (J) : 0.1151 sq.ft.lb  
 Duty cycle : Cont.(S1)  
 Insulation class : F  
 Service factor :  
 Temperature rise : 80 K  
 Design : B

Rev.	Changes Summary	Performed	Checked	Date
Performed by			Page	Revision
Checked by			14 /	
Date	13/04/2022			

1 2 3 4 5 6

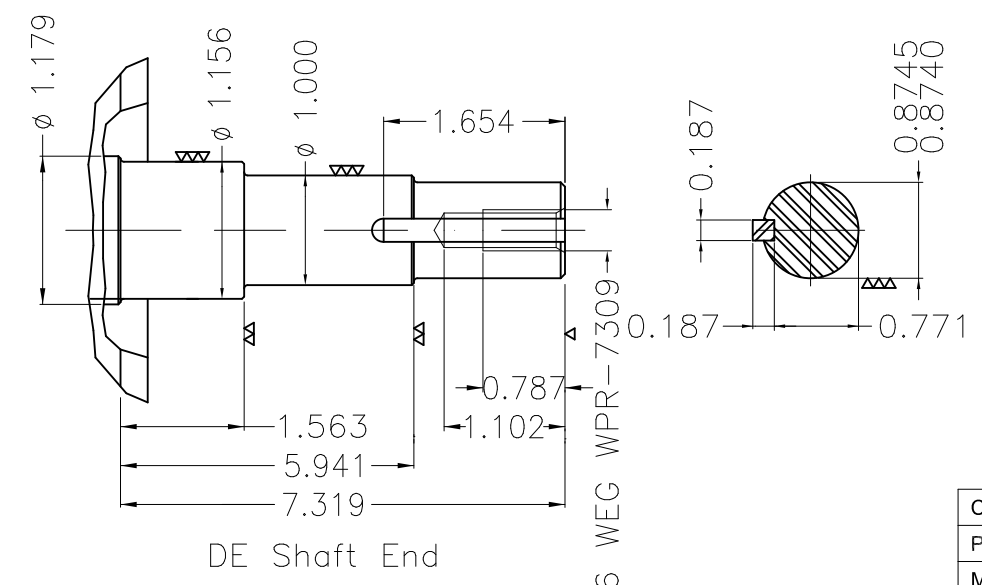
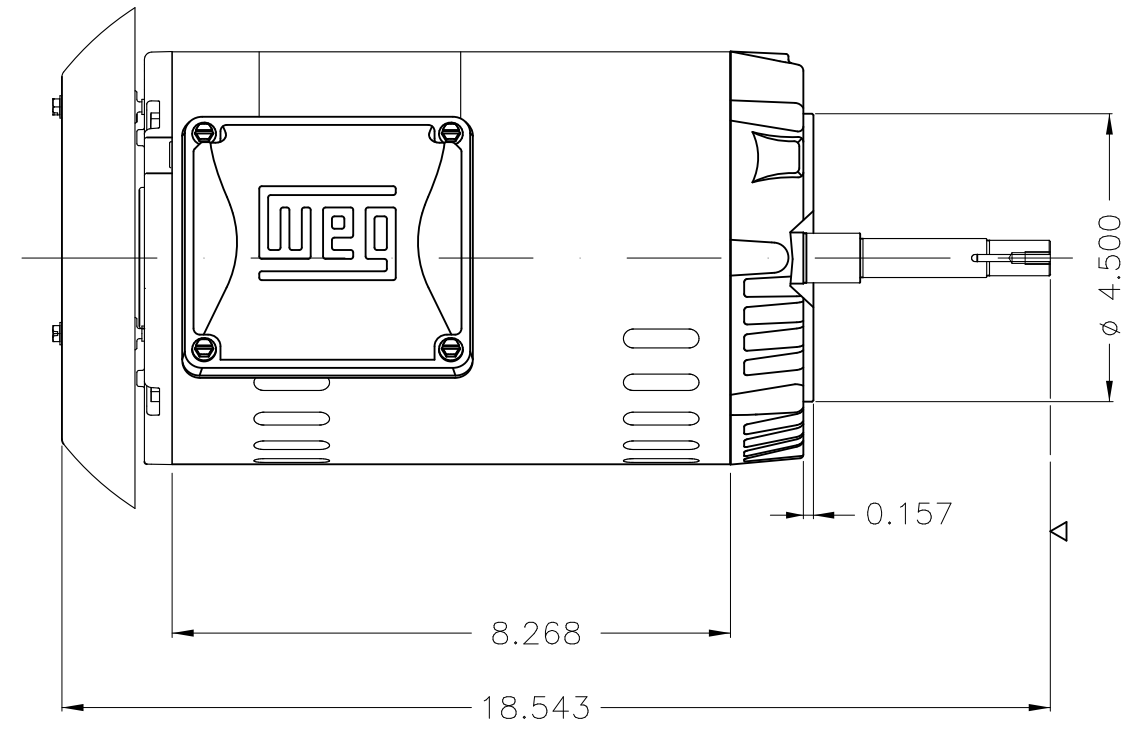
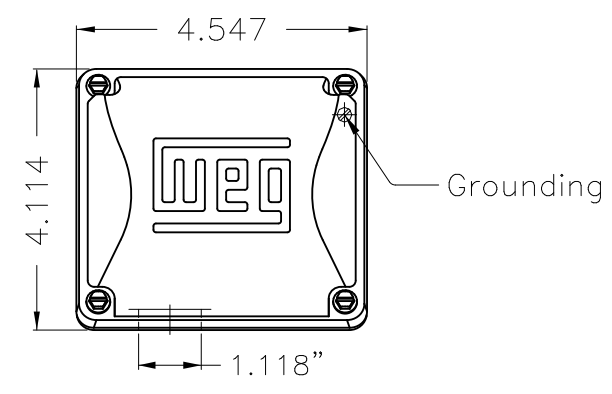
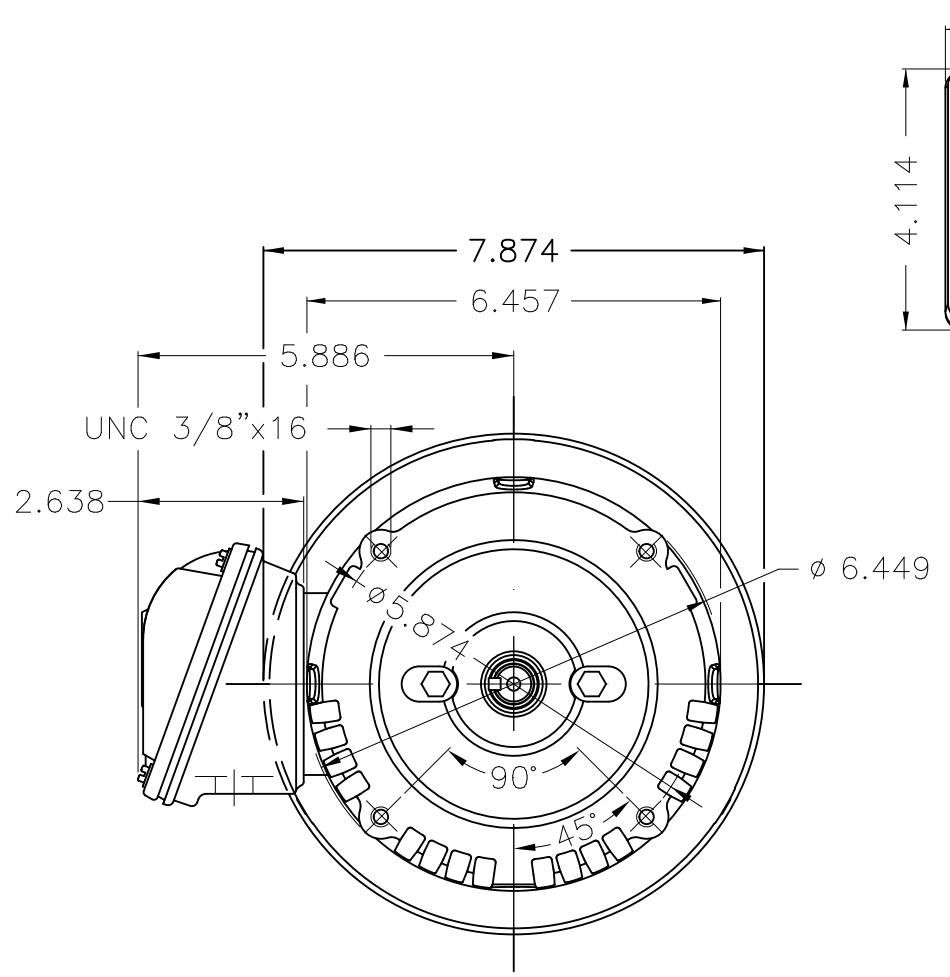
A

B

C

D

E



EUNC 3/8"-16 WEG WPR-7309

DE Shaft End

Color Munsell N 1 matte black									
Painting plan 207N									
Mounting W-6/V18R(D)									
ECM	LOC	SUMMARY OF MODIFICATIONS			EXECUTED	CHECKED	RELEASED	DATE	VER
EXECUTED	PIRBUSER	THREE PH. MOTOR ROLLED STEEL CLOSE COUPLED PUMP JP 3/5 DE PREL ETX							
CHECKED		FRAME 143/5JP IP21 ODP							
RELEASED									
REL DT.		WMO	Jaragua do Sul	Product Engineering					

**PREVIEW**  
WDD



2 HP 02 Poles 60 Hz

Dimensions in inches XME A3