

DATA SHEET



Three Phase Induction Motor - Squirrel Cage

Customer	:		
Product line	: Premium Efficiency Three-Phase	Product code :	12812389
		Catalog # :	00236OT3E56-S
Frame	: 56H	Cooling method	: IC01 - ODP
Insulation class	: F	Mounting	: F-1
Duty cycle	: Cont.(S1)	Rotation ¹	: Both (CW and CCW)
Ambient temperature	: -20°C to +40°C	Starting method	: Direct On Line
Altitude	: 1000 m.a.s.l.	Approx. weight ²	: 35.5 lb
Design	: A	Moment of inertia (J)	: 0.1151 sq.ft.lb
Output [HP]	2	2	2
Poles	2	2	2
Frequency [Hz]	60	50	50
Rated voltage [V]	230/460	190/380	220/415
Rated current [A]	4.84/2.42	5.88/2.94	5.26/2.79
L. R. Amperes [A]	43.1/21.5	40.6/20.3	40.0/21.2
LRC [A]	8.9x(Code K)	6.9x(Code H)	7.6x(Code J)
No load current [A]	1.83/0.917	1.81/0.906	1.84/0.978
Rated speed [RPM]	3510	2890	2900
Slip [%]	2.50	3.67	3.33
Rated torque [ft.lb]	2.99	3.63	3.62
Locked rotor torque [%]	220	180	200
Breakdown torque [%]	330	250	280
Service factor		1.15	1.15
Temperature rise	80 K	80 K	80 K
Locked rotor time	25s (cold) 14s (hot)	18s (cold) 10s (hot)	18s (cold) 10s (hot)
Noise level ²	62.0 dB(A)	60.0 dB(A)	60.0 dB(A)
Efficiency (%)	25%	83.7	85.4
	50%	84.0	84.7
	75%	85.5	85.4
	100%	85.5	84.3
Power Factor	25%	0.49	0.52
	50%	0.77	0.80
	75%	0.86	0.88
	100%	0.91	0.92
Bearing type	: Drive end 6204 ZZ Non drive end 6202 ZZ	Foundation loads	
Sealing	: Without Without Bearing Seal Bearing Seal	Max. traction	: 82 lb
		Max. compression	: 117 lb
Lubrication interval	: - -		
Lubricant amount	: - -		
Lubricant type	: Mobil Polyrex EM		
Notes			
USABLE @208V 5.35A SF 1.00 SFA 5.35A			
This revision replaces and cancel the previous one, which must be eliminated. (1) Looking the motor from the shaft end. (2) Measured at 1m and with tolerance of +3dB(A). (3) Approximate weight subject to changes after manufacturing process. (4) At 100% of full load.		These are average values based on tests with sinusoidal power supply, subject to the tolerances stipulated in NEMA MG-1.	
Rev.	Changes Summary	Performed	Checked
			Date
Performed by			
Checked by			Page
Date	13/04/2022		Revision
		1 /	

TORQUE AND CURRENT VS SPEED CURVE

Three Phase Induction Motor - Squirrel Cage



Customer :

Product line : Premium Efficiency Three-Phase

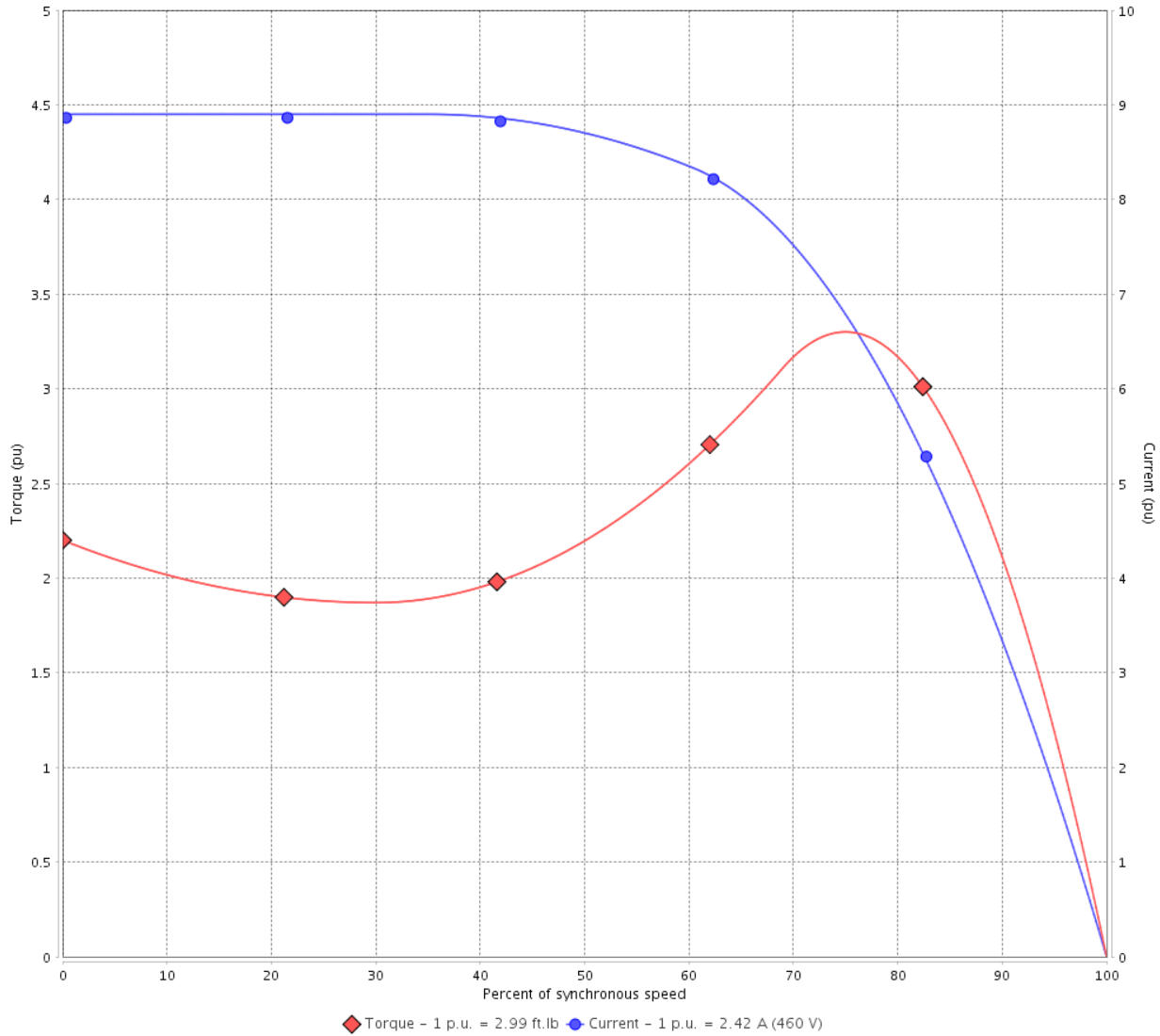
Product code :

12812389

Catalog # :

002360T3E56-S

TORQUE AND CURRENT VS SPEED CURVE



Performance : 230/460 V 60 Hz 2P

Rated current : 4.84/2.42 A
 LRC : 8.9
 Rated torque : 2.99 ft.lb
 Locked rotor torque : 220 %
 Breakdown torque : 330 %
 Rated speed : 3510 rpm

Moment of inertia (J) : 0.1151 sq.ft.lb
 Duty cycle : Cont.(S1)
 Insulation class : F
 Service factor :
 Temperature rise : 80 K
 Design : A

Locked rotor time : 25s (cold) 14s (hot)

Rev.	Changes Summary	Performed	Checked	Date
Performed by		Page		Revision
Checked by		2 /		
Date	13/04/2022			

TORQUE AND CURRENT VS SPEED CURVE



Three Phase Induction Motor - Squirrel Cage

Customer :

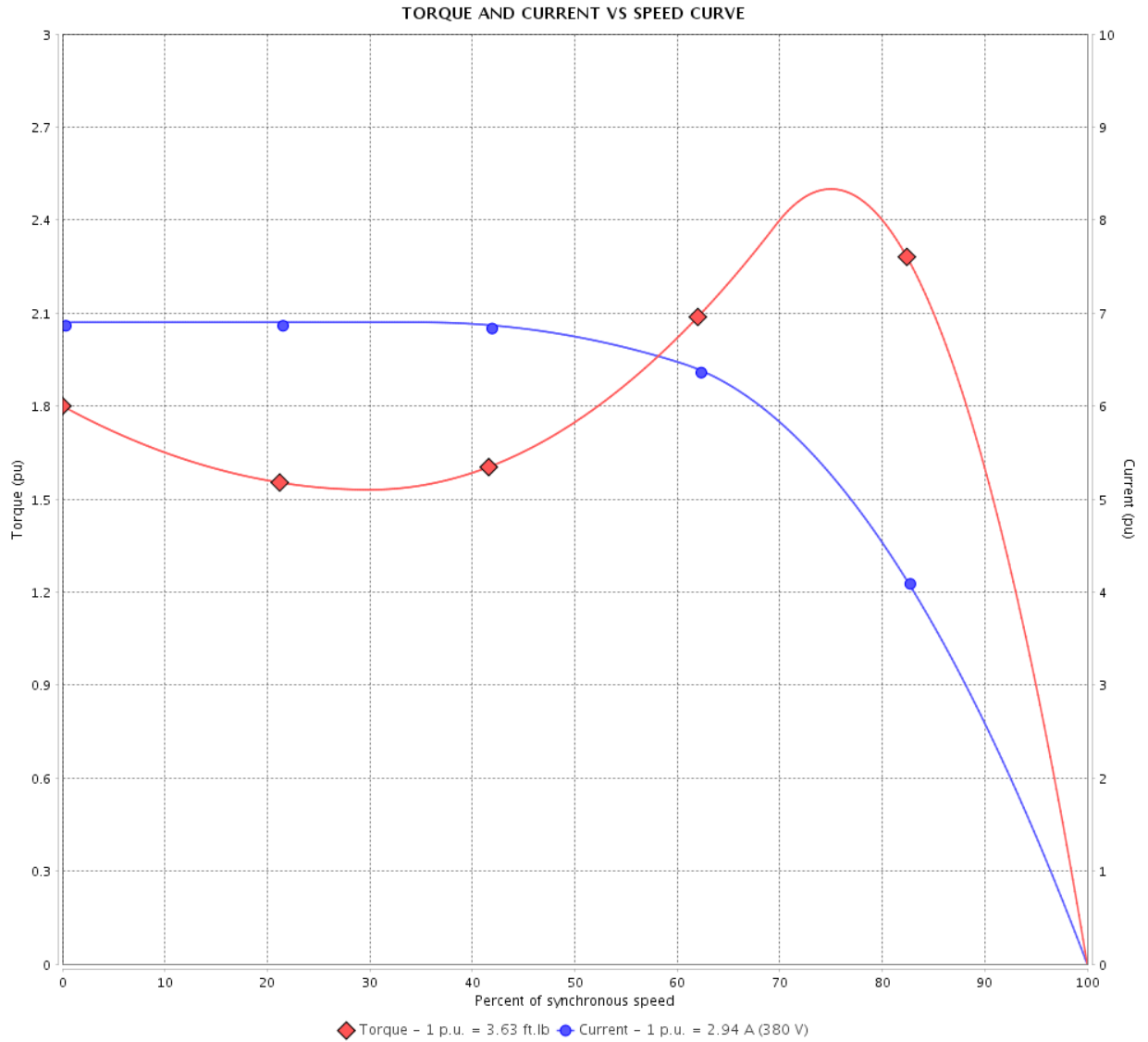
Product line : Premium Efficiency Three-Phase

Product code :

12812389

Catalog # :

00236OT3E56-S



Performance : 190/380 V 50 Hz 2P

Rated current : 5.88/2.94 A
 LRC : 6.9
 Rated torque : 3.63 ft.lb
 Locked rotor torque : 180 %
 Breakdown torque : 250 %
 Rated speed : 2890 rpm

Moment of inertia (J) : 0.1151 sq.ft.lb
 Duty cycle : Cont.(S1)
 Insulation class : F
 Service factor : 1.15
 Temperature rise : 80 K
 Design : A

Locked rotor time : 18s (cold) 10s (hot)

Rev.	Changes Summary	Performed	Checked	Date
Performed by			Page 3 /	Revision
Checked by				
Date	13/04/2022			

TORQUE AND CURRENT VS SPEED CURVE

Three Phase Induction Motor - Squirrel Cage



Customer :

Product line : Premium Efficiency Three-Phase

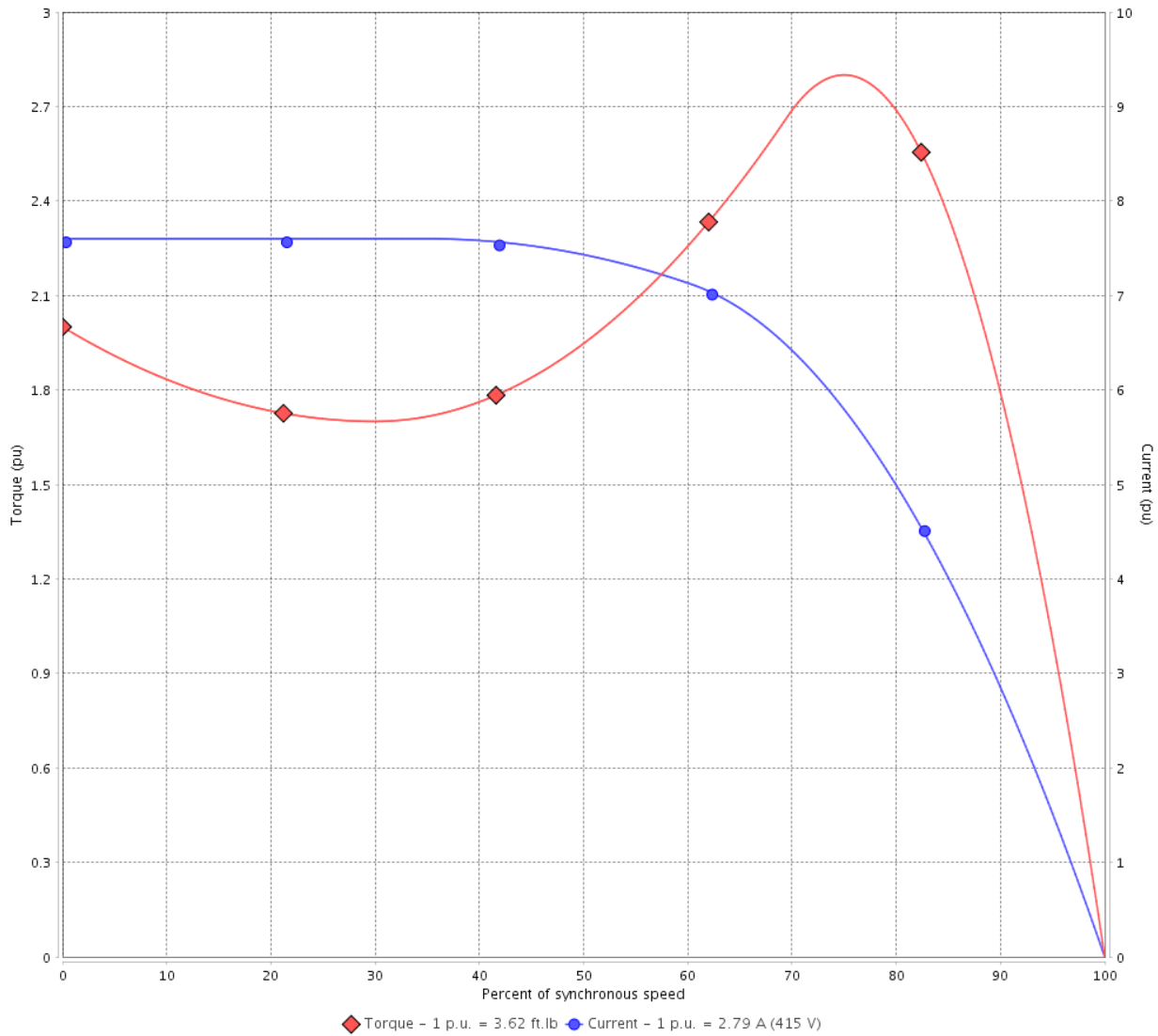
Product code :

12812389

Catalog # :

002360T3E56-S

TORQUE AND CURRENT VS SPEED CURVE



Performance : 220/415 V 50 Hz 2P

Rated current : 5.26/2.79 A
 LRC : 7.6
 Rated torque : 3.62 ft.lb
 Locked rotor torque : 200 %
 Breakdown torque : 280 %
 Rated speed : 2900 rpm

Moment of inertia (J) : 0.1151 sq.ft.lb
 Duty cycle : Cont.(S1)
 Insulation class : F
 Service factor : 1.15
 Temperature rise : 80 K
 Design : A

Locked rotor time : 18s (cold) 10s (hot)

Rev.	Changes Summary	Performed	Checked	Date
Performed by			Page 4 /	Revision
Checked by				
Date	13/04/2022			

LOAD PERFORMANCE CURVE

Three Phase Induction Motor - Squirrel Cage



Customer : _____

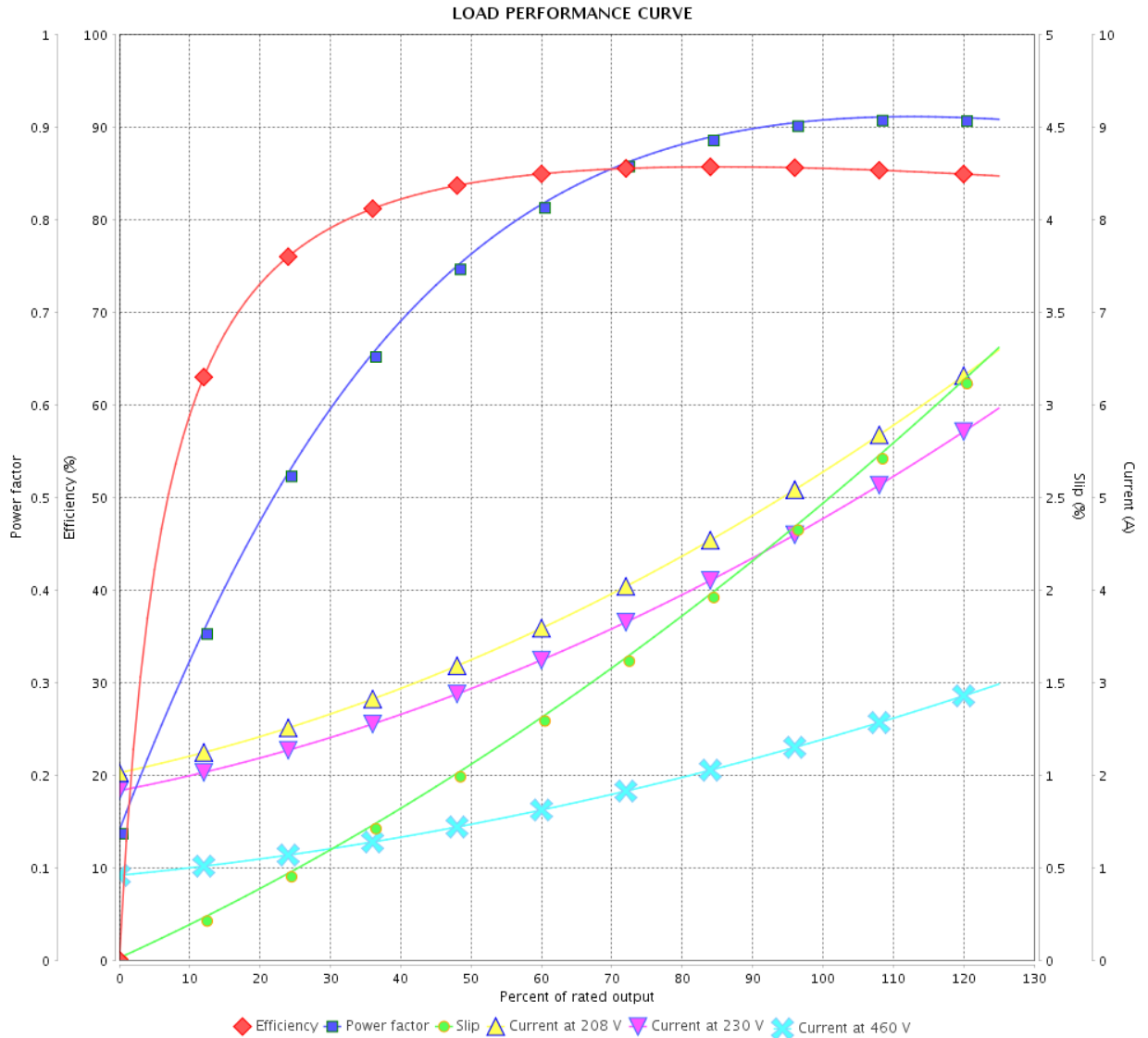
Product line : Premium Efficiency Three-Phase

Product code :

12812389

Catalog # :

00236OT3E56-S



Performance : 230/460 V 60 Hz 2P

Rated current : 4.84/2.42 A
 LRC : 8.9
 Rated torque : 2.99 ft.lb
 Locked rotor torque : 220 %
 Breakdown torque : 330 %
 Rated speed : 3510 rpm

Moment of inertia (J) : 0.1151 sq.ft.lb
 Duty cycle : Cont.(S1)
 Insulation class : F
 Service factor :
 Temperature rise : 80 K
 Design : A

Rev.	Changes Summary	Performed	Checked	Date
Performed by			Page	Revision
Checked by				
Date				
			5 /	

LOAD PERFORMANCE CURVE

Three Phase Induction Motor - Squirrel Cage



Customer : _____

Product line : Premium Efficiency Three-Phase

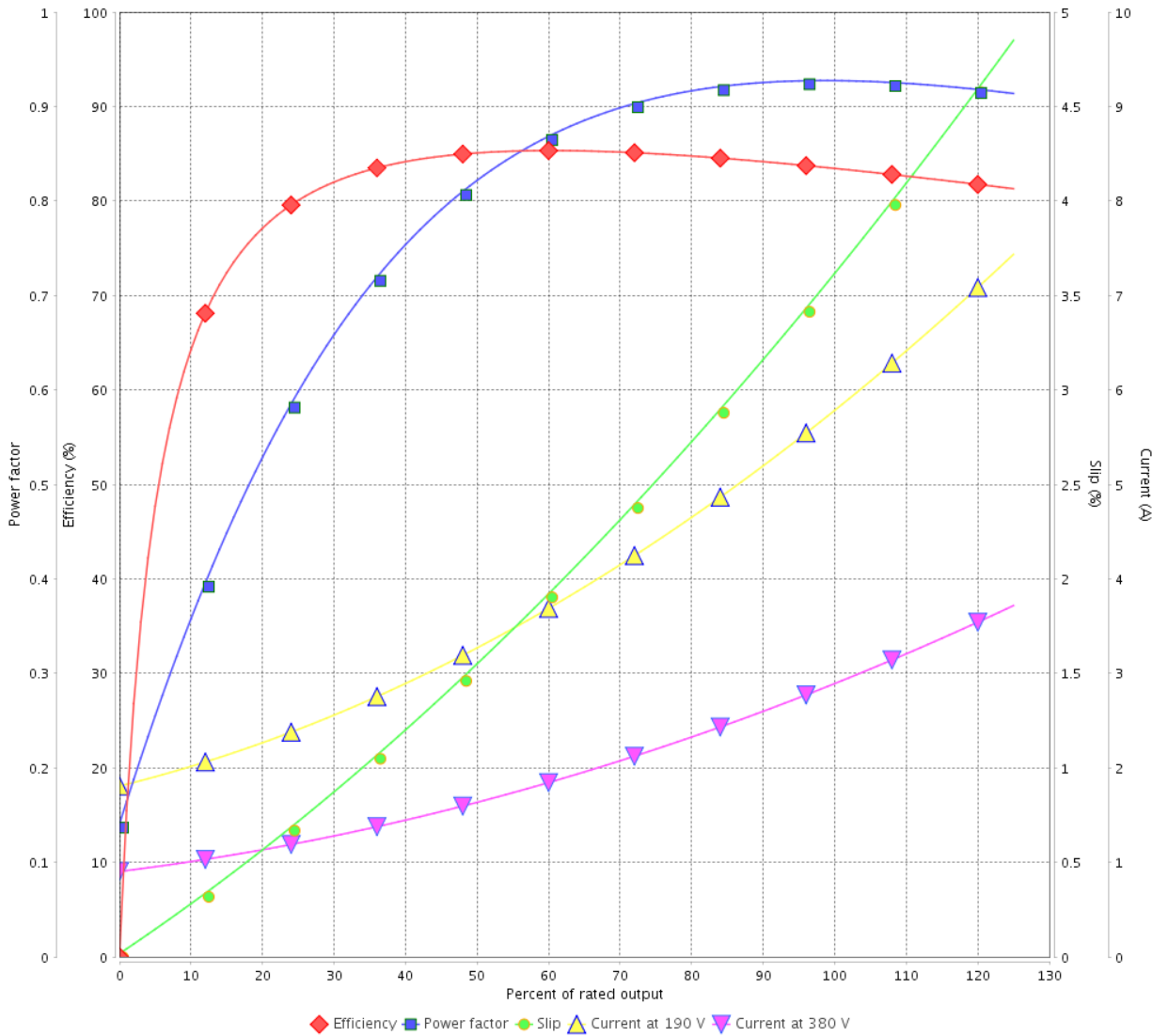
Product code :

12812389

Catalog # :

002360T3E56-S

LOAD PERFORMANCE CURVE



Performance : 190/380 V 50 Hz 2P

Rated current : 5.88/2.94 A
 LRC : 6.9
 Rated torque : 3.63 ft.lb
 Locked rotor torque : 180 %
 Breakdown torque : 250 %
 Rated speed : 2890 rpm

Moment of inertia (J) : 0.1151 sq.ft.lb
 Duty cycle : Cont.(S1)
 Insulation class : F
 Service factor : 1.15
 Temperature rise : 80 K
 Design : A

Rev.	Changes Summary	Performed	Checked	Date
Performed by			Page	Revision
Checked by				
Date				
			6 /	

LOAD PERFORMANCE CURVE

Three Phase Induction Motor - Squirrel Cage



Customer : _____

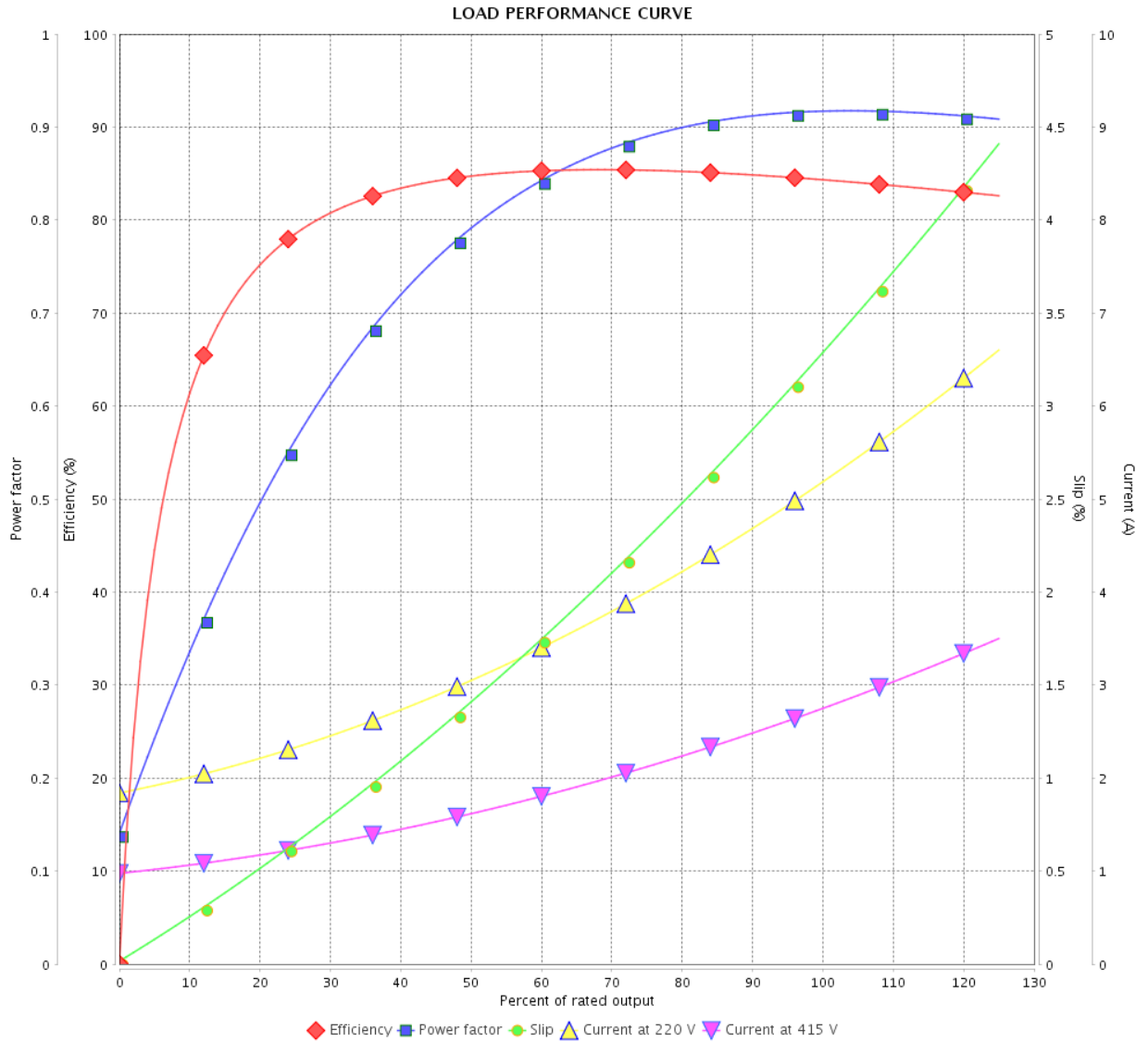
Product line : Premium Efficiency Three-Phase

Product code :

12812389

Catalog # :

00236OT3E56-S



Performance : 220/415 V 50 Hz 2P

Rated current : 5.26/2.79 A
 LRC : 7.6
 Rated torque : 3.62 ft.lb
 Locked rotor torque : 200 %
 Breakdown torque : 280 %
 Rated speed : 2900 rpm

Moment of inertia (J) : 0.1151 sq.ft.lb
 Duty cycle : Cont.(S1)
 Insulation class : F
 Service factor : 1.15
 Temperature rise : 80 K
 Design : A

Rev.	Changes Summary	Performed	Checked	Date
Performed by		Page		Revision
Checked by		7 /		
Date		13/04/2022		

THERMAL LIMIT CURVE

Three Phase Induction Motor - Squirrel Cage



Customer :

Product line : Premium Efficiency Three-Phase

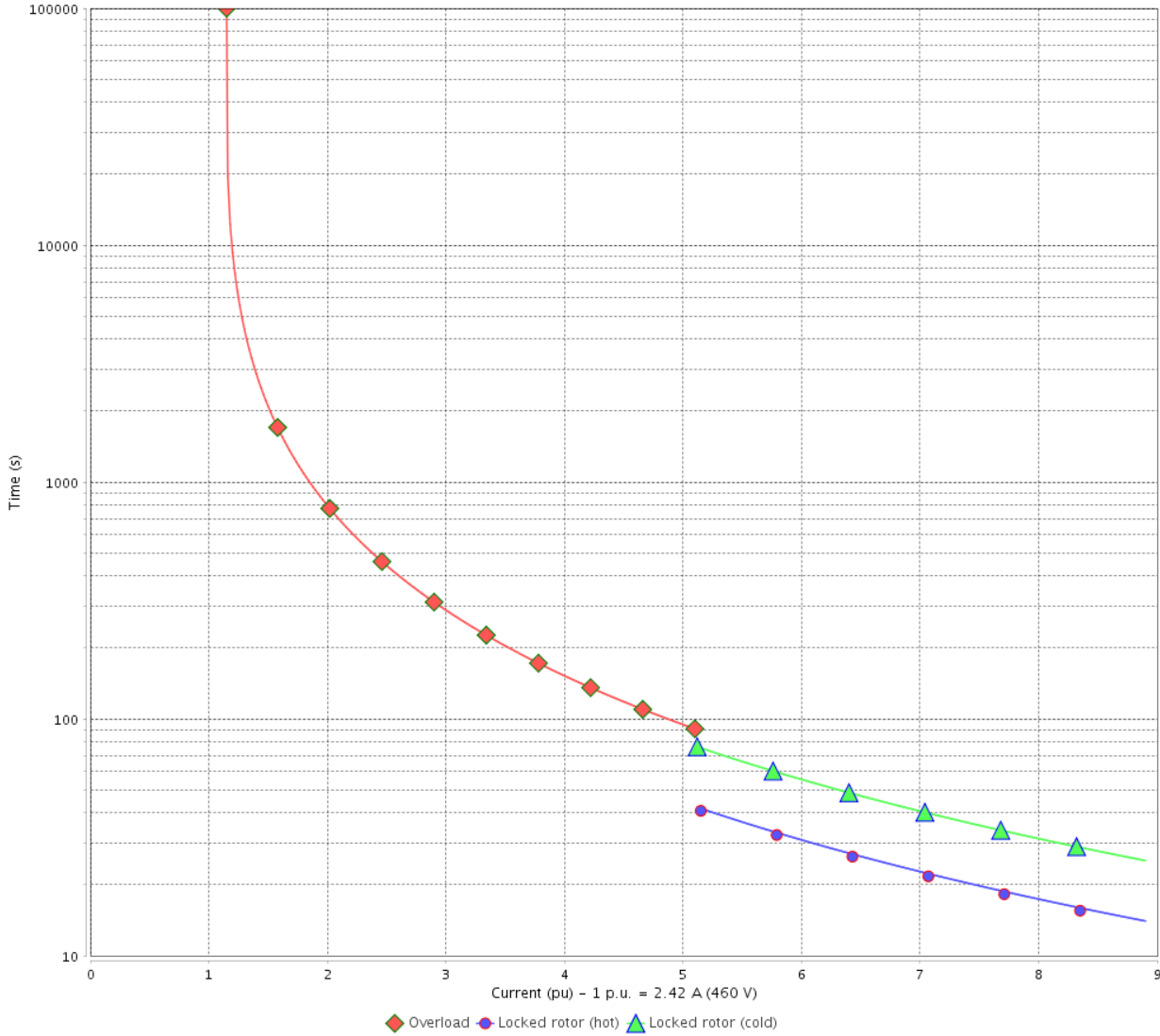
Product code :

12812389

Catalog # :

002360T3E56-S

THERMAL LIMIT CURVE



Performance : 230/460 V 60 Hz 2P

Rated current : 4.84/2.42 A
 LRC : 8.9
 Rated torque : 2.99 ft.lb
 Locked rotor torque : 220 %
 Breakdown torque : 330 %
 Rated speed : 3510 rpm

Moment of inertia (J) : 0.1151 sq.ft.lb
 Duty cycle : Cont.(S1)
 Insulation class : F
 Service factor :
 Temperature rise : 80 K
 Design : A

Heating constant

Cooling constant

Rev.	Changes Summary	Performed	Checked	Date
Performed by			Page	Revision
Checked by				
Date	13/04/2022			
			8 /	

THERMAL LIMIT CURVE

Three Phase Induction Motor - Squirrel Cage



Customer :

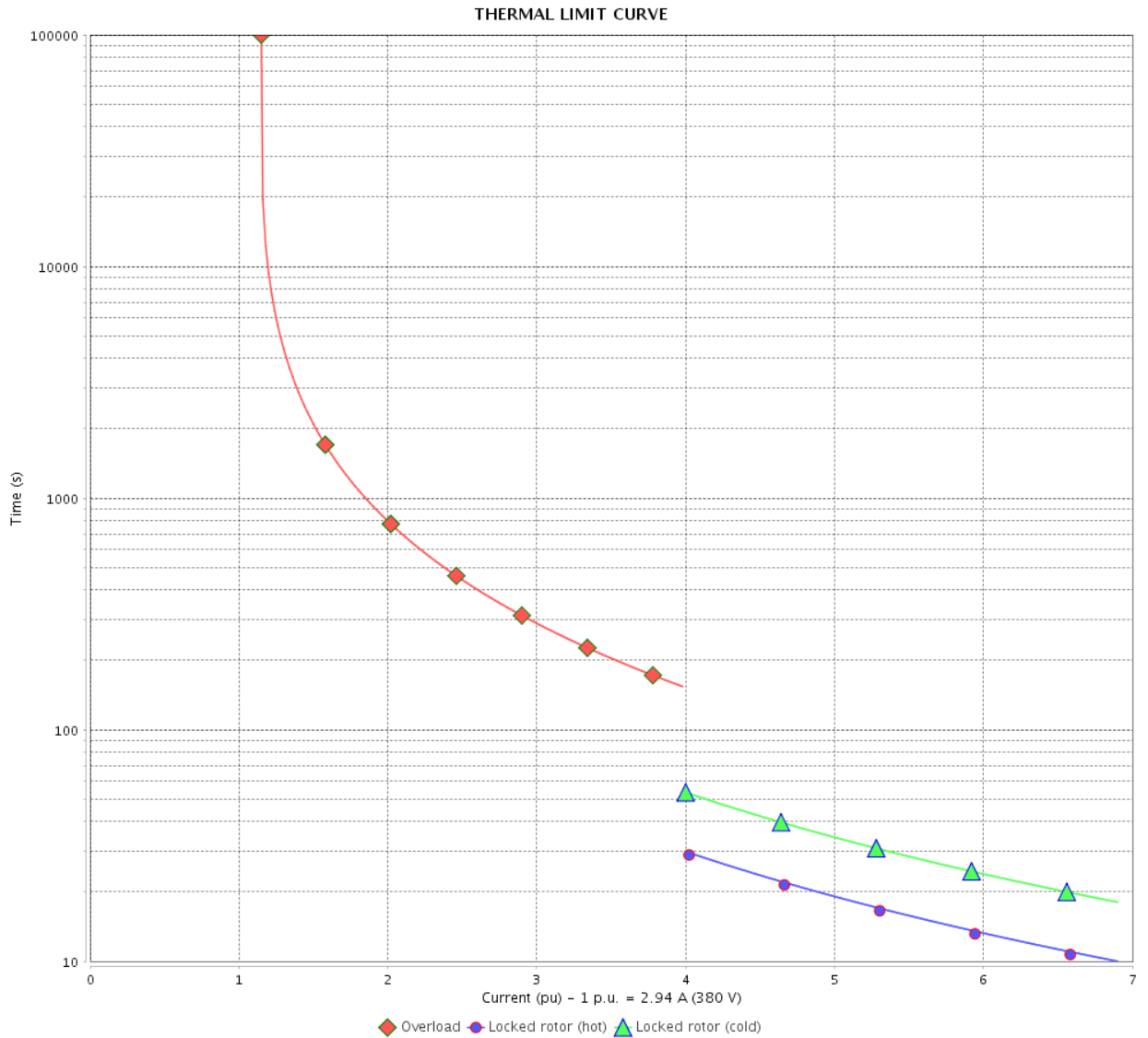
Product line : Premium Efficiency Three-Phase

Product code :

12812389

Catalog # :

00236OT3E56-S



Performance : 190/380 V 50 Hz 2P

Rated current : 5.88/2.94 A
 LRC : 6.9
 Rated torque : 3.63 ft.lb
 Locked rotor torque : 180 %
 Breakdown torque : 250 %
 Rated speed : 2890 rpm

Moment of inertia (J) : 0.1151 sq.ft.lb
 Duty cycle : Cont.(S1)
 Insulation class : F
 Service factor : 1.15
 Temperature rise : 80 K
 Design : A

Heating constant

Cooling constant

Rev.	Changes Summary	Performed	Checked	Date
Performed by		Page		Revision
Checked by		9 /		
Date		13/04/2022		

THERMAL LIMIT CURVE

Three Phase Induction Motor - Squirrel Cage



Customer : _____

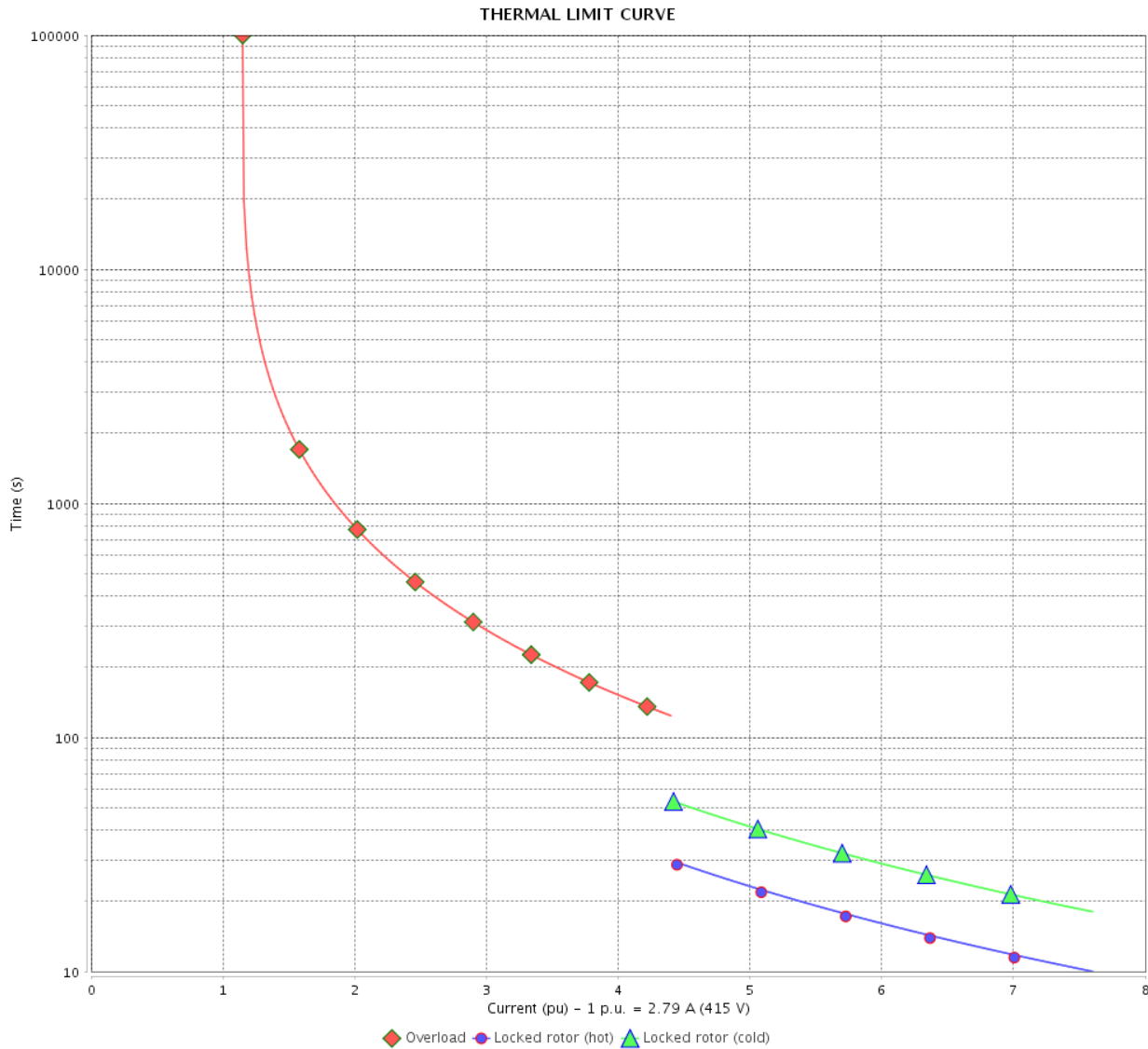
Product line : Premium Efficiency Three-Phase

Product code :

12812389

Catalog # :

00236OT3E56-S



Performance : 220/415 V 50 Hz 2P

Rated current : 5.26/2.79 A
 LRC : 7.6
 Rated torque : 3.62 ft.lb
 Locked rotor torque : 200 %
 Breakdown torque : 280 %
 Rated speed : 2900 rpm

Moment of inertia (J) : 0.1151 sq.ft.lb
 Duty cycle : Cont.(S1)
 Insulation class : F
 Service factor : 1.15
 Temperature rise : 80 K
 Design : A

Heating constant

Cooling constant

Rev.	Changes Summary	Performed	Checked	Date
Performed by		Page		Revision
Checked by				
Date				
		10 /		

VFD OPERATION CURVE

Three Phase Induction Motor - Squirrel Cage



Customer : _____

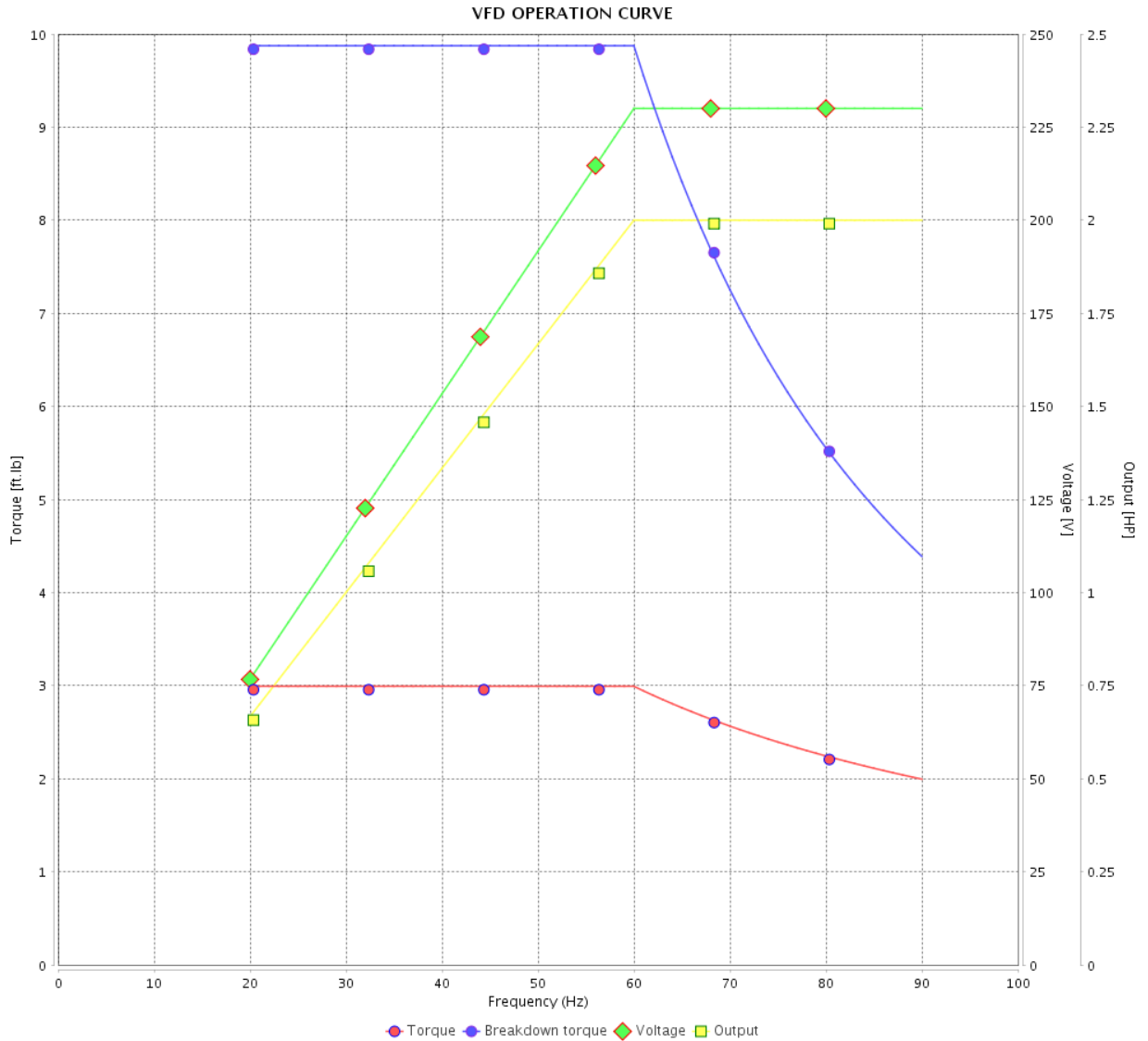
Product line : Premium Efficiency Three-Phase

Product code :

12812389

Catalog # :

00236OT3E56-S



Performance : 230/460 V 60 Hz 2P

Rated current : 4.84/2.42 A
 LRC : 8.9
 Rated torque : 2.99 ft.lb
 Locked rotor torque : 220 %
 Breakdown torque : 330 %
 Rated speed : 3510 rpm

Moment of inertia (J) : 0.1151 sq.ft.lb
 Duty cycle : Cont.(S1)
 Insulation class : F
 Service factor :
 Temperature rise : 80 K
 Design : A

Rev.	Changes Summary	Performed	Checked	Date
Performed by		Page		Revision
Checked by		11 /		
Date		13/04/2022		

1 2 3 4 5 6

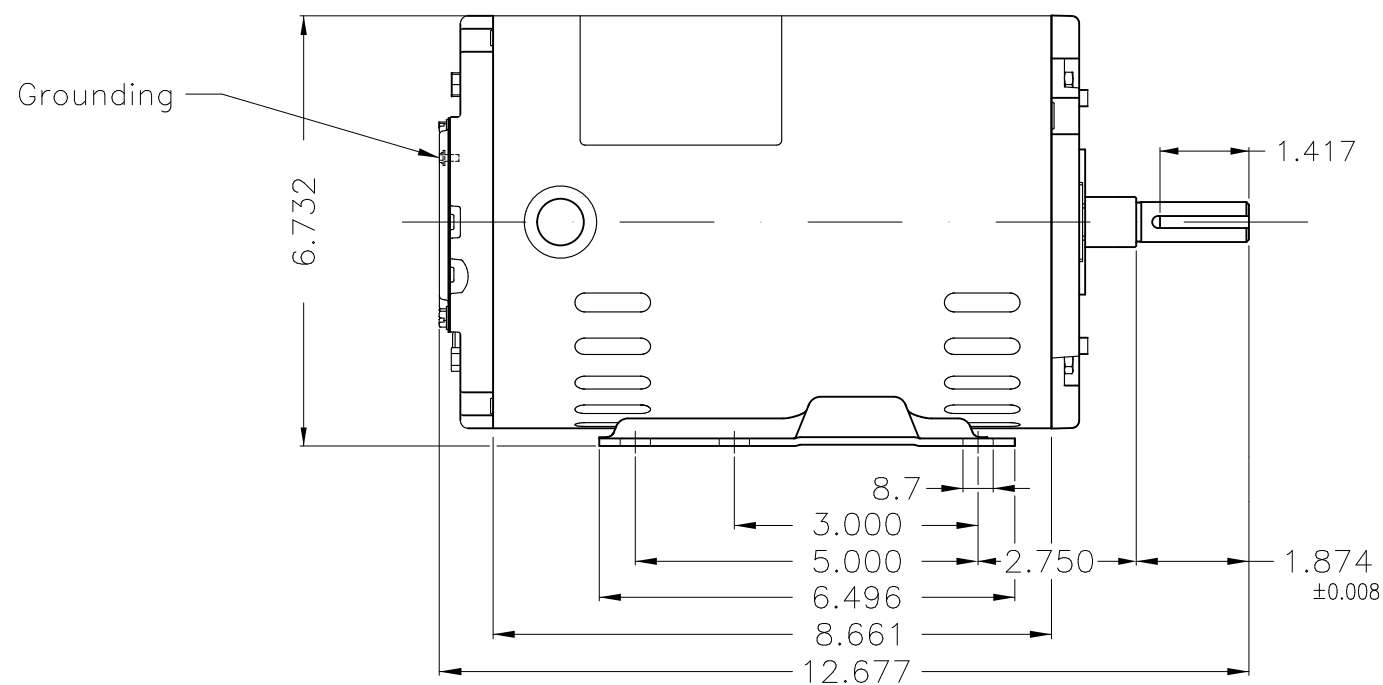
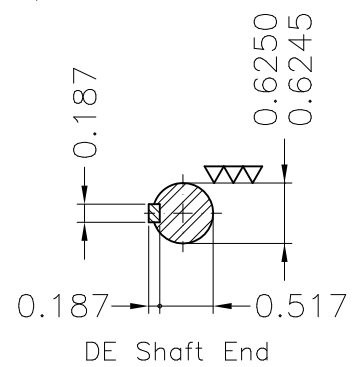
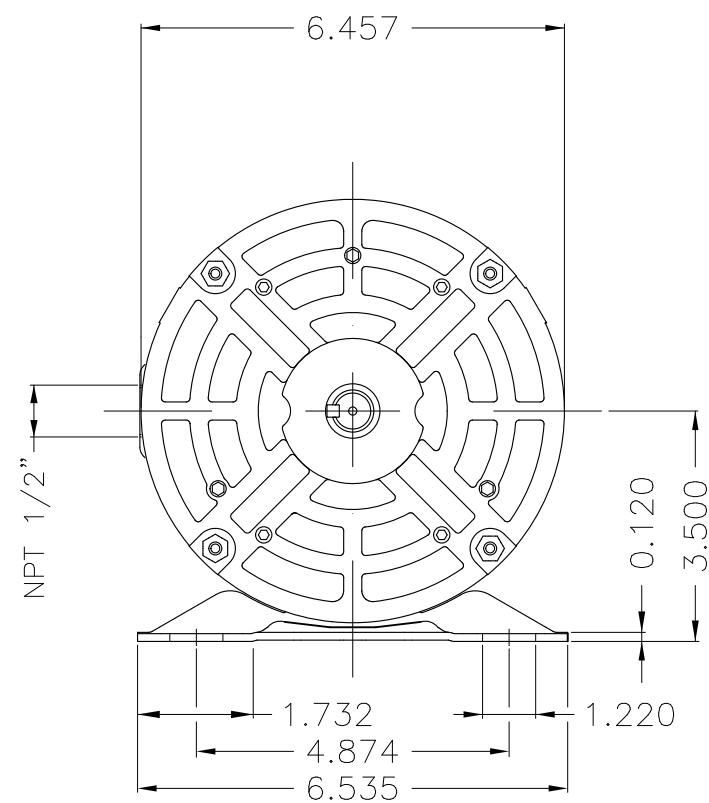
A

B

C

D

E



Dimensions in inches

Without coating										
Mounting F-1/B3R(D)										
ECM	LOC	SUMMARY OF MODIFICATIONS				EXECUTED	CHECKED	RELEASED	DATE	VER
EXECUTED	PIRWUSER	THREE PH. MOTOR ROLLED STEEL PREM. EFF.					PREVIEW WDD			
CHECKED		FRAME 56H IP21 ODP								
RELEASED										
REL DT.		WMO	Jaragua do Sul	Product Engineering	SHEET	1 / 1				

2 HP 02 Poles 60 Hz

A

XME A3



NEMA
Premium



MADE IN MEXICO

MAT: 12812389

W01.T00IC0X0X

MODEL 002360T3E56-S

05JAN2022 B/N:

PH 3	Hz 60	HP 2.0
FR 56H		KW 1.5
DUTY CONT.		V 230/460
ALT 1000 m.a.s.l.		A 4.84/2.42
INS CL F AT 80K		SFA 5.57/2.78
AMB 40°C	DES A	SF 1.15
ENCL ODP	CODE K	PF 0.91
USABLE @ 208V 5.35A		RPM 3510
SF1.00		NEMA NOM. EFF 85.5%

ALTERNATE RATING: 2.0HP 50Hz 190-220/380-415V SF1.15
5.88-5.11/2.94-2.71A 2890RPM EFF 83.4% (IE2) IEC 60034-1

Inverter duty motor For 80Hz use on VPWM 1000:1 VT, 3:1 CT

DE 6204-ZZ ODE 6202-ZZ MOBIL POLYREX EM



T1-BLU T2-WHT
 T3-ORG T4-YEL
 T5-BLK T6-GRY
 T7-PNK T8-RED
 T9-BRK RED

INTERCHANGE ANY TWO LINE WIRES TO REVERSE THE ROTATION

WARNING: Motor must be grounded in accordance with local and national electrical codes to prevent serious electrical shocks. Disconnect power source before servicing unit.



AVERTISSEMENT: Le moteur doit être mis à la terre conformément aux codes électriques locaux et nationaux afin d'éviter tout choc électrique grave. Déconnectez l'alimentation avant l'entretien de la machine.

