

TORQUE AND CURRENT VS SPEED CURVE

Three Phase Induction Motor - Squirrel Cage



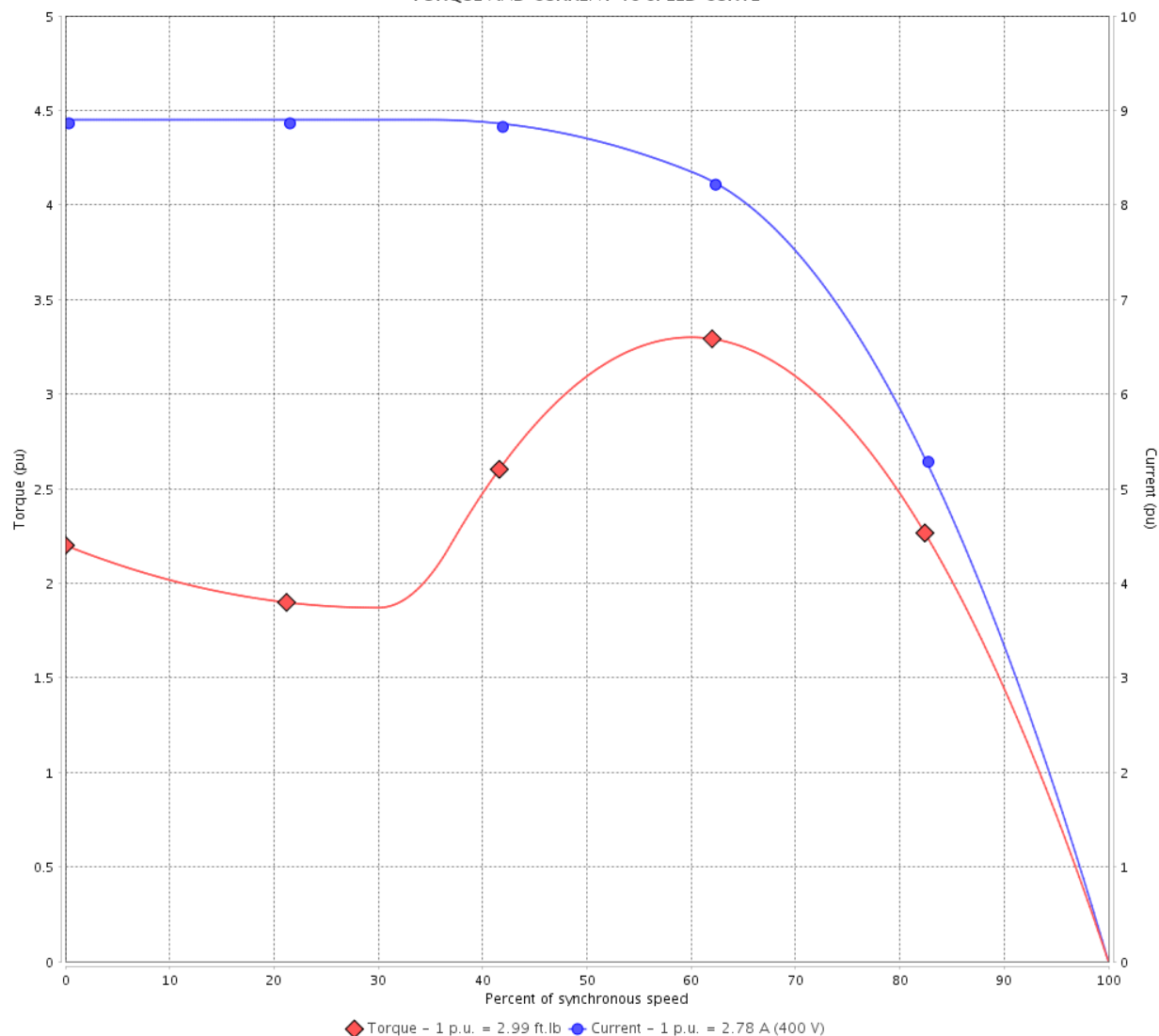
Customer :

Product line : JM Pump NEMA Premium
Efficiency Three-Phase

Product code : 12637246

Catalog # : 00236OT3V145JM-S

TORQUE AND CURRENT VS SPEED CURVE



Performance : 200/400 V 60 Hz 2P

Rated current	: 5.57/2.78 A	Moment of inertia (J)	: 0.1151 sq.ft.lb
LRC	: 8.9	Duty cycle	: Cont.(S1)
Rated torque	: 2.99 ft.lb	Insulation class	: F
Locked rotor torque	: 220 %	Service factor	: 1.15
Breakdown torque	: 330 %	Temperature rise	: 80 K
Rated speed	: 3510 rpm	Design	: B

Locked rotor time : 25s (cold) 14s (hot)

Rev.	Changes Summary	Performed	Checked	Date
Performed by			Page 2 / 6	Revision
Checked by				
Date	13/04/2022			

LOAD PERFORMANCE CURVE

Three Phase Induction Motor - Squirrel Cage

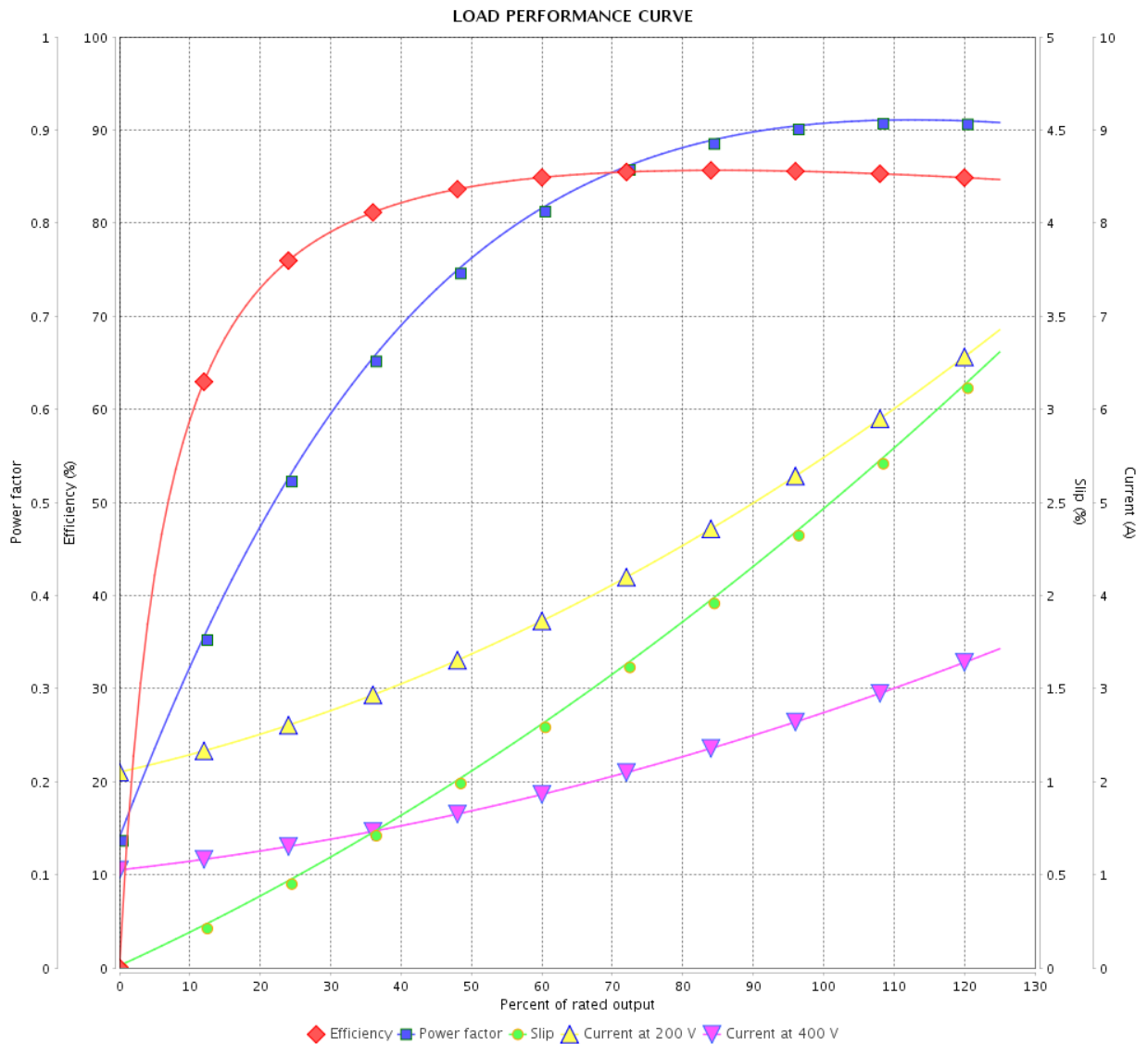


Customer : _____

Product line : JM Pump NEMA Premium
Efficiency Three-Phase

Product code : 12637246

Catalog # : 00236OT3V145JM-S



Performance : 200/400 V 60 Hz 2P

Rated current : 5.57/2.78 A
 LRC : 8.9
 Rated torque : 2.99 ft.lb
 Locked rotor torque : 220 %
 Breakdown torque : 330 %
 Rated speed : 3510 rpm

Moment of inertia (J) : 0.1151 sq.ft.lb
 Duty cycle : Cont.(S1)
 Insulation class : F
 Service factor : 1.15
 Temperature rise : 80 K
 Design : B

Rev.	Changes Summary	Performed	Checked	Date
Performed by			Page 3 / 6	Revision
Checked by				
Date	13/04/2022			

THERMAL LIMIT CURVE



Three Phase Induction Motor - Squirrel Cage

Customer :

Product line : JM Pump NEMA Premium
Efficiency Three-Phase

Product code : 12637246

Catalog # : 00236OT3V145JM-S

Performance : 200/400 V 60 Hz 2P

Rated current : 5.57/2.78 A
LRC : 8.9
Rated torque : 2.99 ft.lb
Locked rotor torque : 220 %
Breakdown torque : 330 %
Rated speed : 3510 rpm

Moment of inertia (J) : 0.1151 sq.ft.lb
Duty cycle : Cont.(S1)
Insulation class : F
Service factor : 1.15
Temperature rise : 80 K
Design : B

Heating constant

Cooling constant

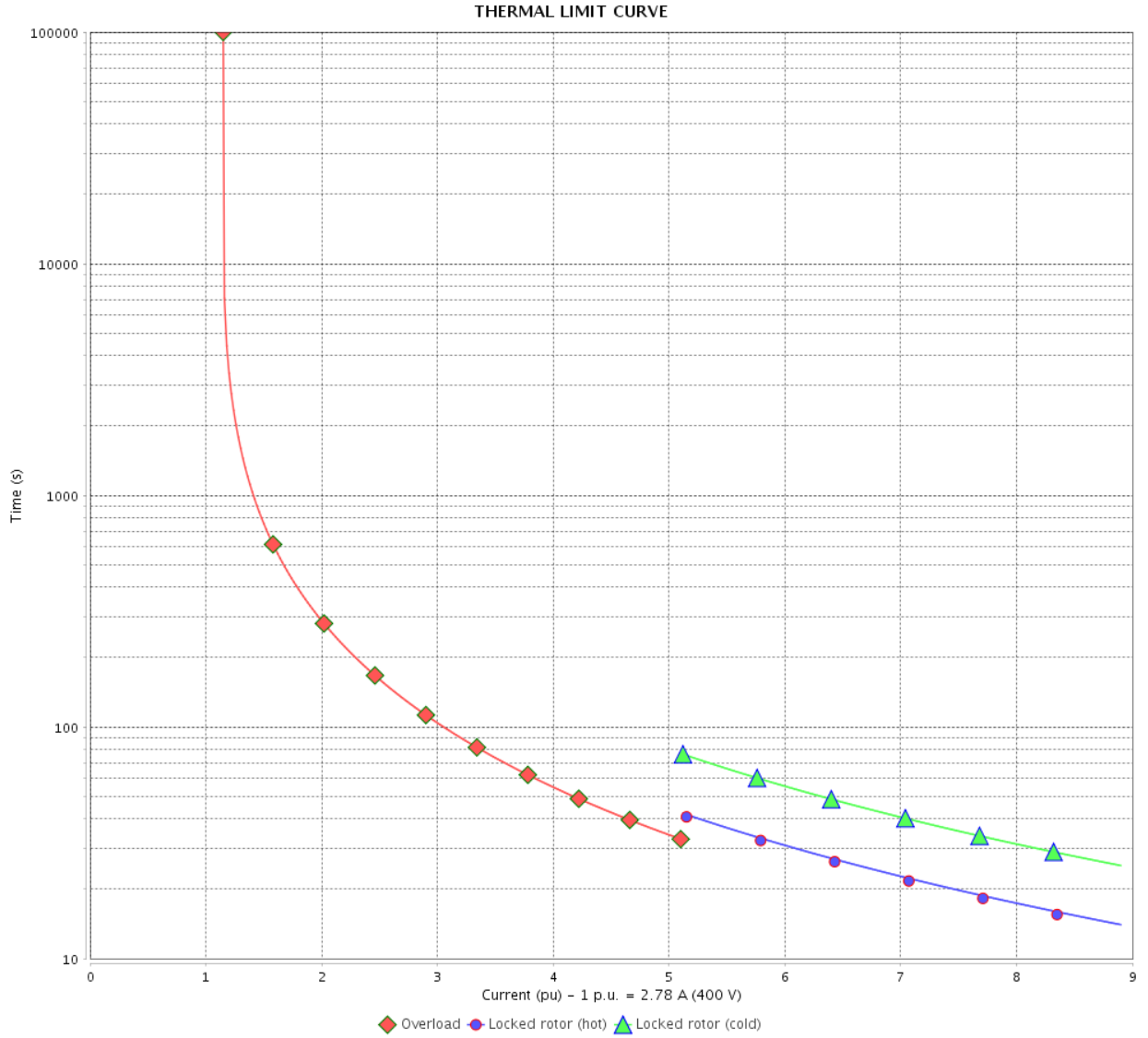
Rev.	Changes Summary	Performed	Checked	Date
Performed by				
Checked by			Page	Revision
Date	13/04/2022		4 / 6	

THERMAL LIMIT CURVE

Three Phase Induction Motor - Squirrel Cage



Customer : _____



Rev.	Changes Summary	Performed	Checked	Date
Performed by				
Checked by				
Date				
			Page	Revision
			5 / 6	

VFD OPERATION CURVE

Three Phase Induction Motor - Squirrel Cage

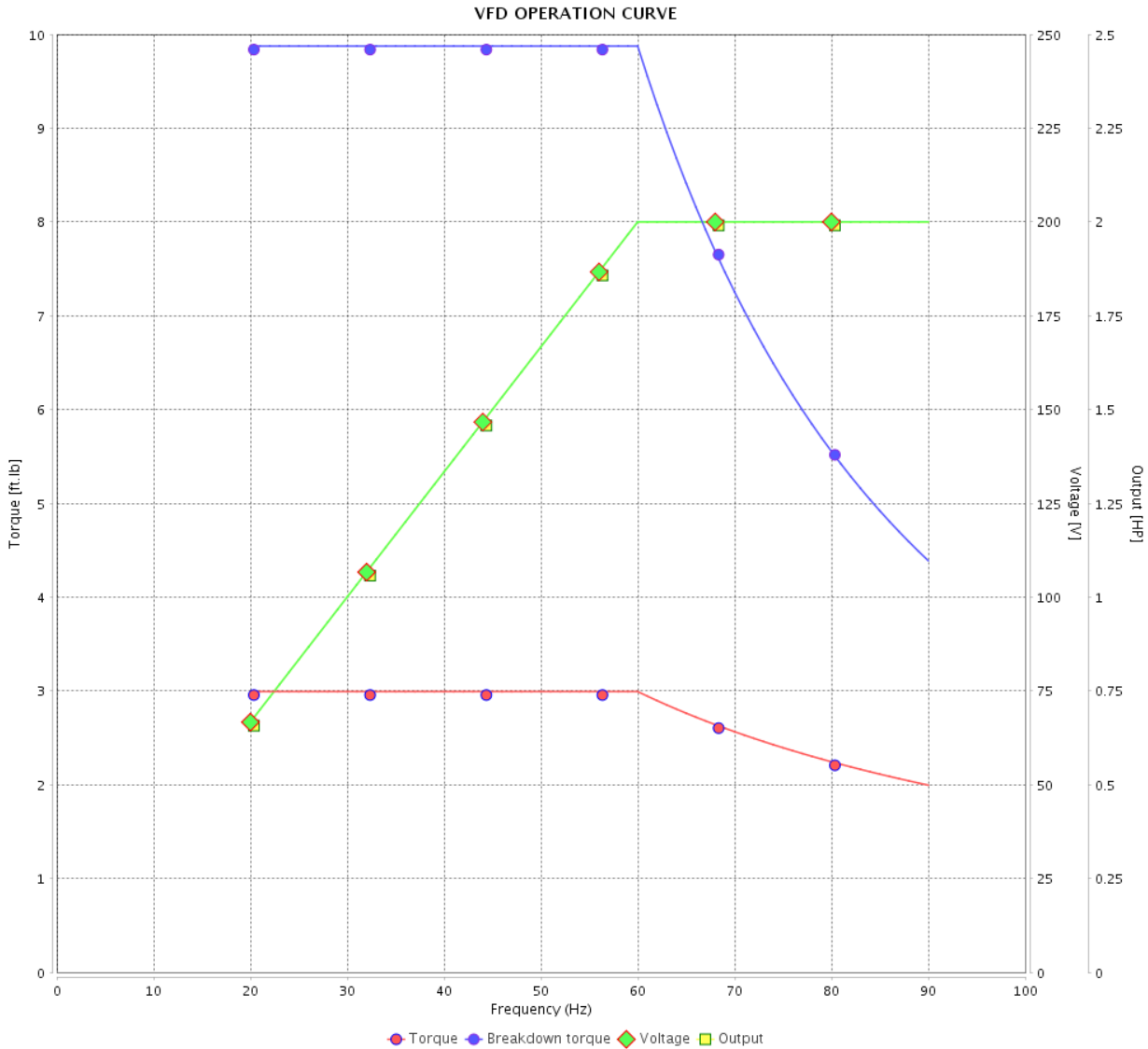


Customer : _____

Product line : JM Pump NEMA Premium Efficiency Three-Phase

Product code : 12637246

Catalog # : 00236OT3V145JM-S



Performance : 200/400 V 60 Hz 2P

Rated current : 5.57/2.78 A
 LRC : 8.9
 Rated torque : 2.99 ft.lb
 Locked rotor torque : 220 %
 Breakdown torque : 330 %
 Rated speed : 3510 rpm

Moment of inertia (J) : 0.1151 sq.ft.lb
 Duty cycle : Cont.(S1)
 Insulation class : F
 Service factor : 1.15
 Temperature rise : 80 K
 Design : B

Rev.	Changes Summary	Performed	Checked	Date
Performed by			Page 6 / 6	Revision
Checked by				
Date	13/04/2022			

1 2 3 4 5 6

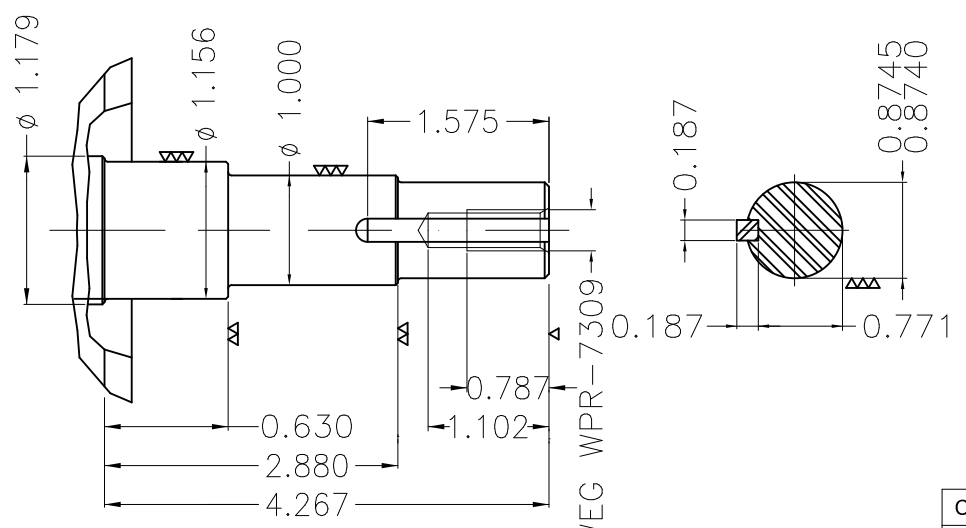
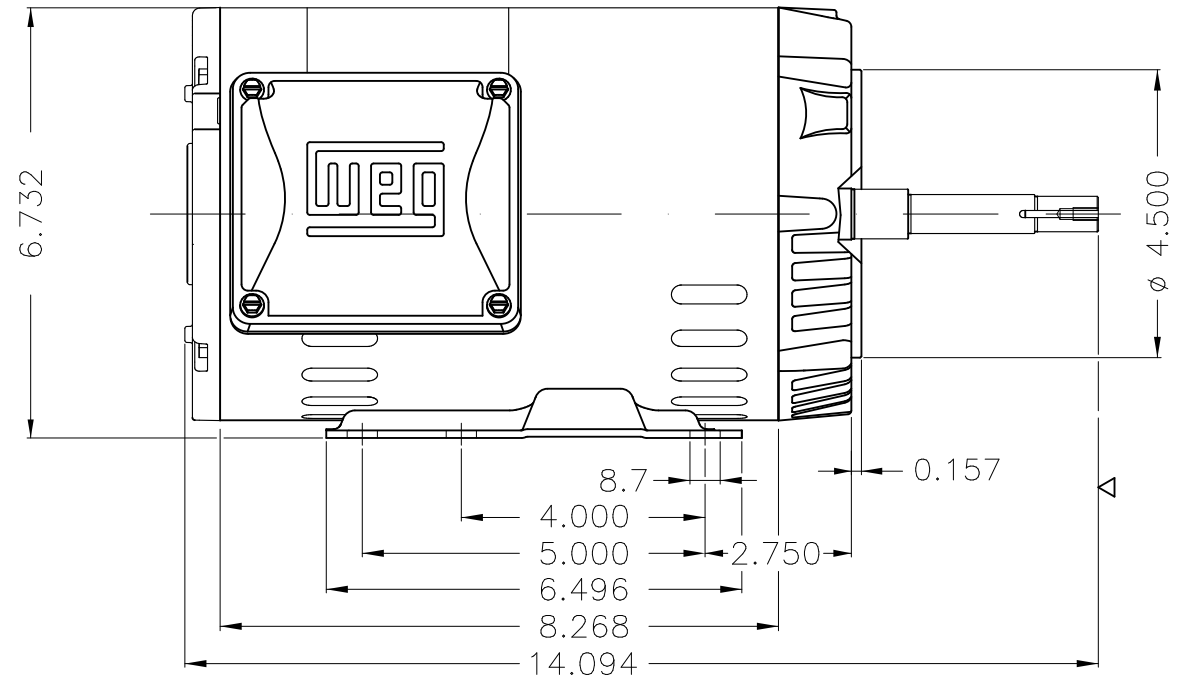
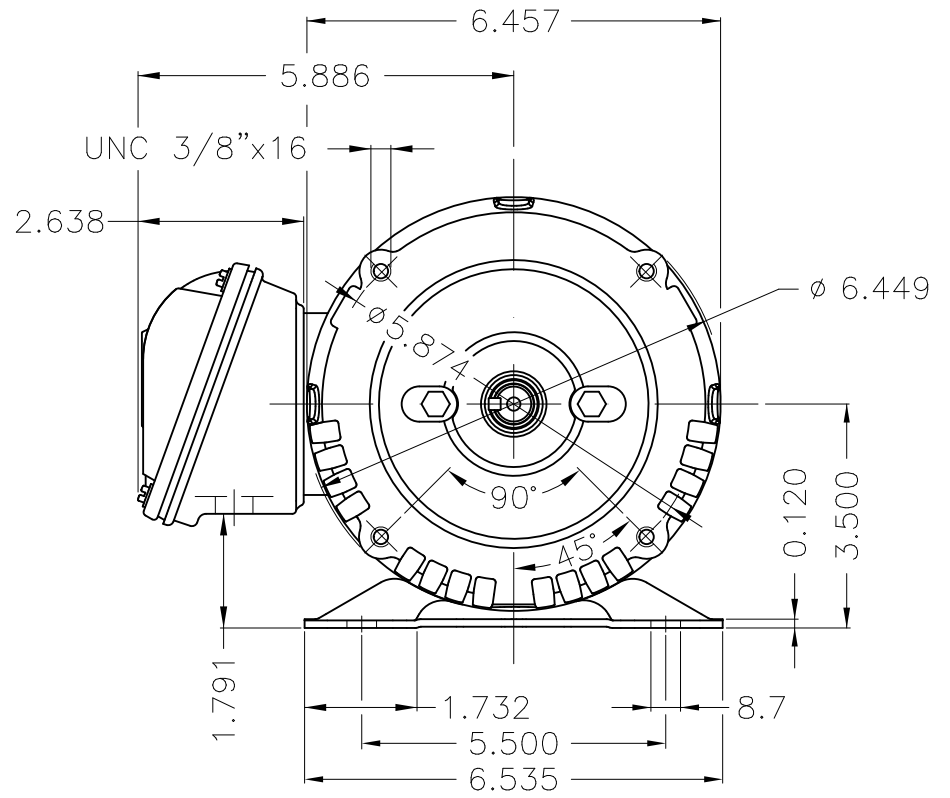
A

B

C

D

E



EUNC 3/8"-16 WEG WPR-7309

DE Shaft End

Color Munsell N 1 matte black									
Painting plan 207N									
Mounting F-1/B34R(D)									
ECM	LOC	SUMMARY OF MODIFICATIONS			EXECUTED	CHECKED	RELEASED	DATE	VER
EXECUTED	PIRWUSER	THREE PH. MOTOR ROLLED STEEL CLOSE COUPLED PUMP JN TYPE PSE 143							
CHECKED		FRAME 143/5JM IP21 ODP							
RELEASED									
REL DT.		WMO	Jaragua do Sul	Product Engineering	WDD				

2 HP 02 Poles 60 Hz



NEMA
Premium



MADE IN MEXICO

MAT: 12637246 CC029A

W01.T00IC0X0N

MODEL 002360T3V145JM-S

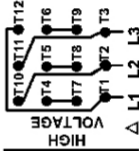
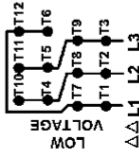
PH 3	Hz 60	HP 2.0
FR 143/5JM		KW 1.5
DUTY CONT.		V 200/400
ALT 1000 m.a.s.l.		A 5.57/2.78
INS CL F AT 80K		SFA 6.41/3.20
AMB 40°C	DES B	SF 1.15
ENCL ODP	CODE K	PF 0.91
		RPM 3510
		NEMA
		NOM. EFF 85.5%

Inverter duty For use on VPWM 1000:1 VT, 3:1 CT

DE 6206-ZZ

ODE 6203-ZZ

MOBIL POLYREX EM



T1-BLU T2-WHT
 T3-ORG T4-YEL
 T5-BLK T6-GRY
 T7-PNK T8-RED
 T9-BRK RED
 T10-CURRY
 T11-GRN T12-VLT

INTERCHANGE ANY TWO LINE WIRES TO REVERSE THE ROTATION

