

DATA SHEET



Three Phase Induction Motor - Squirrel Cage

Customer :				
Product line	: NEMA Premium Efficiency Three-Phase			
Product code :	14591686			
Catalog # :	00236XT3H145T			
Frame : 143/5T Output : 2 HP (1.5 kW) Poles : 2 Frequency : 60 Hz Rated voltage : 575 V Rated current : 2.15 A L. R. Amperes : 19.8 A LRC : 9.2x(Code L) No load current : 0.960 A Rated speed : 3495 rpm Slip : 2.92 % Rated torque : 3.01 ft.lb Locked rotor torque : 370 % Breakdown torque : 420 % Insulation class : F Service factor : 1.15 Moment of inertia (J) : 0.0551 sq.ft.lb Design : B	Locked rotor time : 27s (cold) 15s (hot) Temperature rise : 80 K Duty cycle : Cont.(S1) Ambient temperature : -20°C to +40°C Altitude : 1000 m.a.s.l. Protection degree : IP55 Cooling method : IC411 - TEFC Mounting : F-1 Rotation ¹ : Both (CW and CCW) Noise level ² : 68.0 dB(A) Starting method : Direct On Line Approx. weight ³ : 73.4 lb			
Output	25% 50% 75% 100%			
Efficiency (%)	78.4 80.0 84.0 85.5			
Power Factor	0.41 0.64 0.76 0.82			
Foundation loads				
Max. traction : 73 lb				
Max. compression : 146 lb				
Bearing type	: <u>Drive end</u> 6205 2RS <u>Non drive end</u> 6204 2RS			
Sealing	: Oil Seal Lip Seal			
Lubrication interval	: - -			
Lubricant amount	: - -			
Lubricant type	: Mobil Polyrex EM			
Notes				
This revision replaces and cancel the previous one, which must be eliminated. (1) Looking the motor from the shaft end. (2) Measured at 1m and with tolerance of +3dB(A). (3) Approximate weight subject to changes after manufacturing process. (4) At 100% of full load.				
These are average values based on tests with sinusoidal power supply, subject to the tolerances stipulated in NEMA MG-1.				
Rev.	Changes Summary	Performed	Checked	Date
Performed by				
Checked by			Page	Revision
Date	13/04/2022		1 / 7	

DATA SHEET

Three Phase Induction Motor - Squirrel Cage



Customer : _____

Thermal protection

ID	Application	Type	Quantity	Sensing Temperature
1	Winding	Thermostat - 2 wires	1 x Phase	155 °C

Rev.	Changes Summary	Performed	Checked	Date
Performed by				
Checked by			Page	Revision
Date	13/04/2022		2 / 7	

TORQUE AND CURRENT VS SPEED CURVE



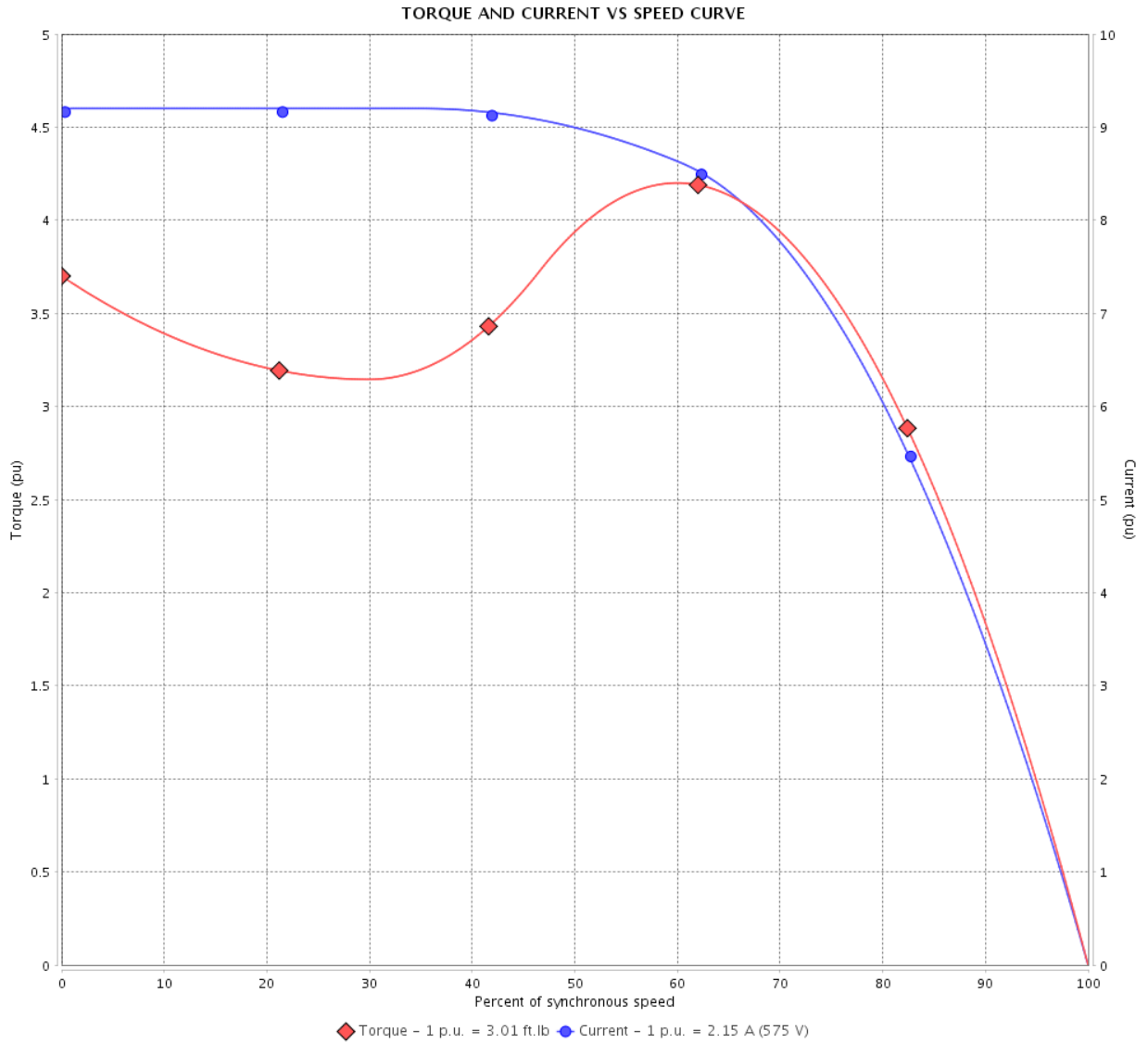
Three Phase Induction Motor - Squirrel Cage

Customer :

Product line : NEMA Premium Efficiency Three-Phase

Product code : 14591686

Catalog # : 00236XT3H145T



Performance : 575 V 60 Hz 2P

Rated current	: 2.15 A	Moment of inertia (J)	: 0.0551 sq.ft.lb
LRC	: 9.2	Duty cycle	: Cont.(S1)
Rated torque	: 3.01 ft.lb	Insulation class	: F
Locked rotor torque	: 370 %	Service factor	: 1.15
Breakdown torque	: 420 %	Temperature rise	: 80 K
Rated speed	: 3495 rpm	Design	: B

Locked rotor time : 27s (cold) 15s (hot)

Rev.	Changes Summary	Performed	Checked	Date
Performed by			Page 3 / 7	Revision
Checked by				
Date	13/04/2022			

LOAD PERFORMANCE CURVE

Three Phase Induction Motor - Squirrel Cage



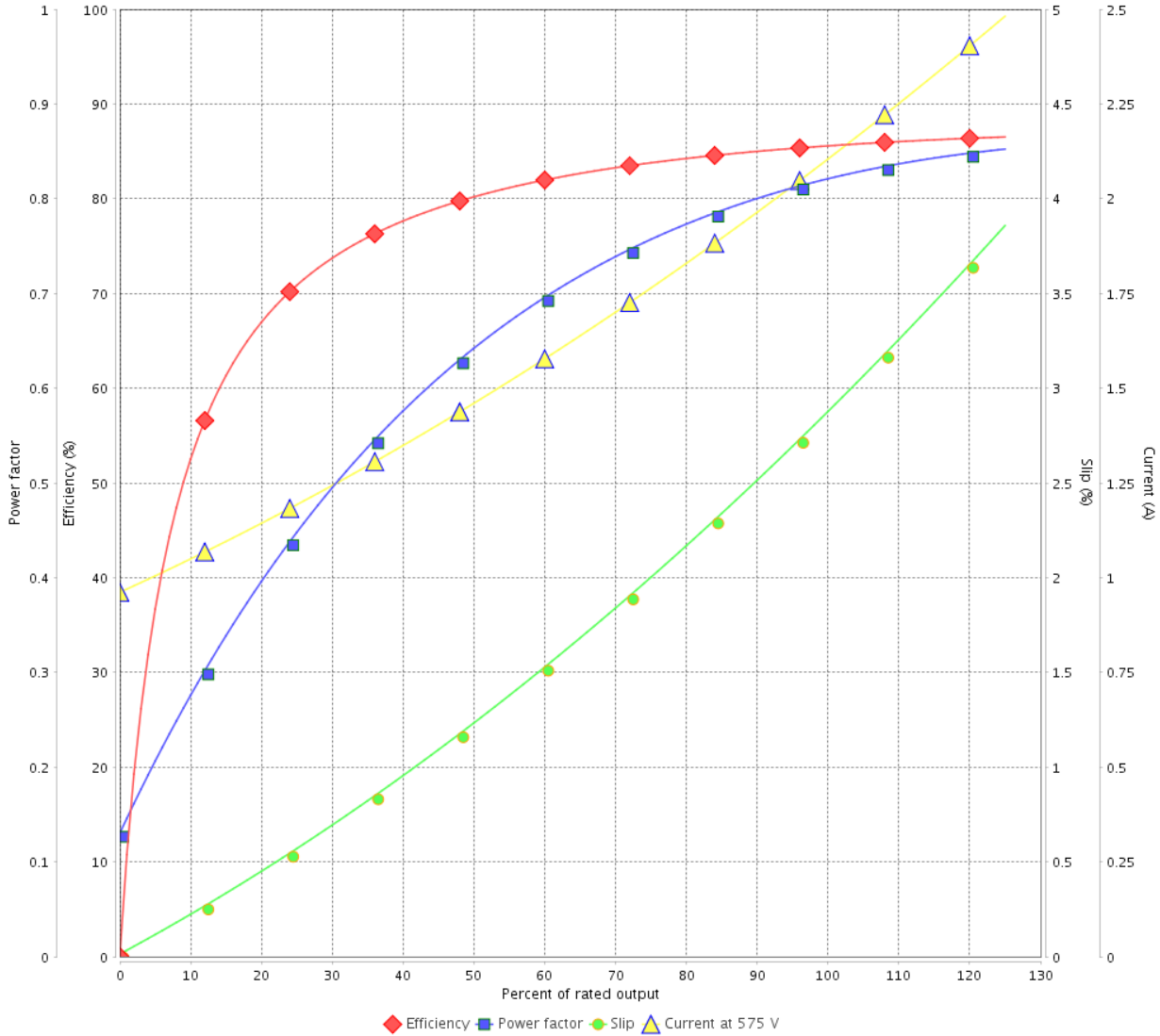
Customer : _____

Product line : NEMA Premium Efficiency Three-Phase

Product code : 14591686

Catalog # : 00236XT3H145T

LOAD PERFORMANCE CURVE



Performance : 575 V 60 Hz 2P

Rated current : 2.15 A
 LRC : 9.2
 Rated torque : 3.01 ft.lb
 Locked rotor torque : 370 %
 Breakdown torque : 420 %
 Rated speed : 3495 rpm

Moment of inertia (J) : 0.0551 sq.ft.lb
 Duty cycle : Cont.(S1)
 Insulation class : F
 Service factor : 1.15
 Temperature rise : 80 K
 Design : B

Rev.	Changes Summary	Performed	Checked	Date
Performed by		Page		Revision
Checked by		4 / 7		
Date	13/04/2022			

THERMAL LIMIT CURVE



Three Phase Induction Motor - Squirrel Cage

Customer :

Product line : NEMA Premium Efficiency Three-Phase
 Product code : 14591686
 Catalog # : 00236XT3H145T

Performance : 575 V 60 Hz 2P

Rated current : 2.15 A	Moment of inertia (J) : 0.0551 sq.ft.lb
LRC : 9.2	Duty cycle : Cont.(S1)
Rated torque : 3.01 ft.lb	Insulation class : F
Locked rotor torque : 370 %	Service factor : 1.15
Breakdown torque : 420 %	Temperature rise : 80 K
Rated speed : 3495 rpm	Design : B

Heating constant

Cooling constant

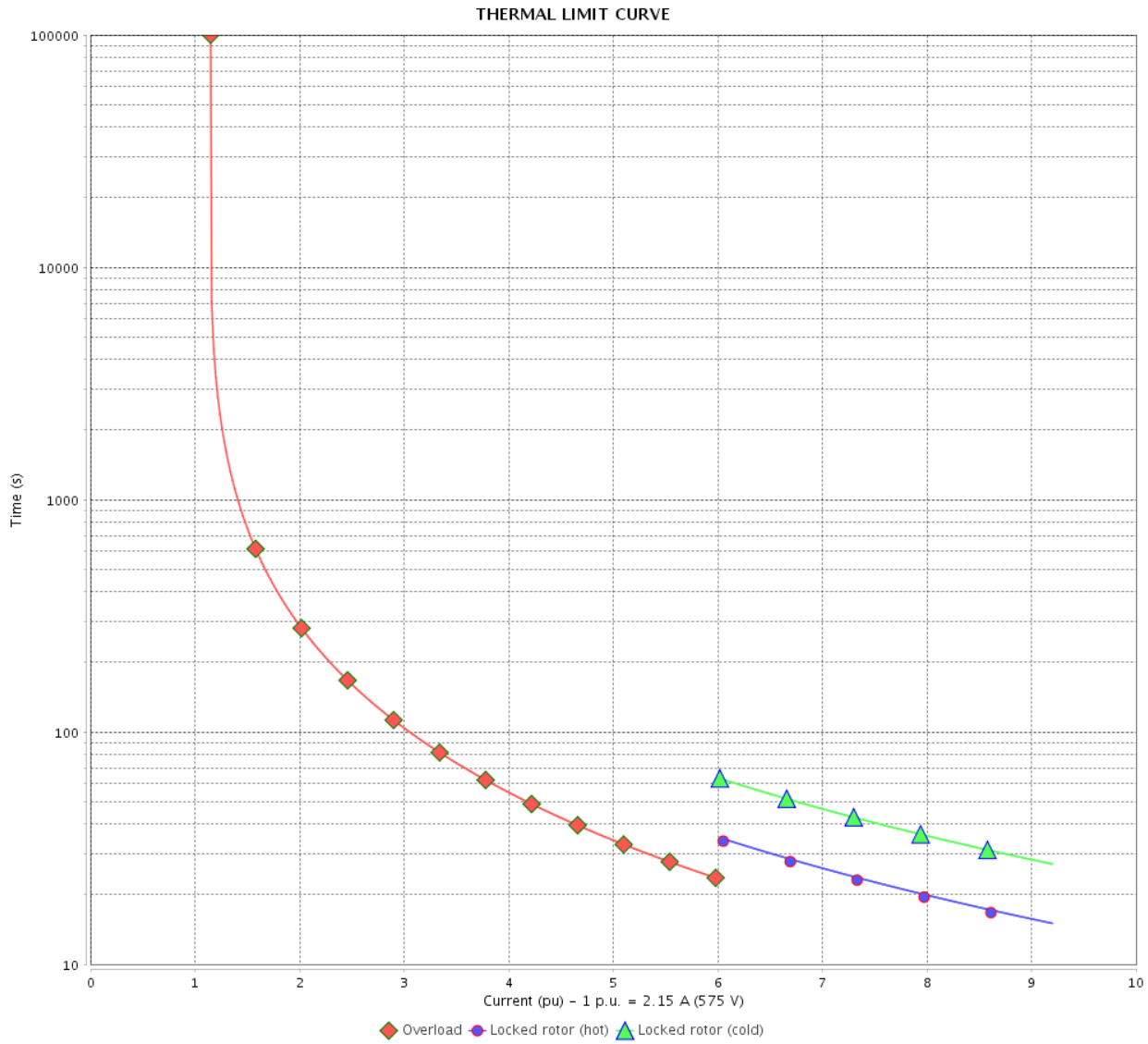
Rev.	Changes Summary	Performed	Checked	Date
Performed by			Page 5 / 7	Revision
Checked by				
Date	13/04/2022			

THERMAL LIMIT CURVE

Three Phase Induction Motor - Squirrel Cage



Customer : _____



Rev.	Changes Summary	Performed	Checked	Date
Performed by		Page 6 / 7		Revision
Checked by				
Date				

VFD OPERATION CURVE

Three Phase Induction Motor - Squirrel Cage

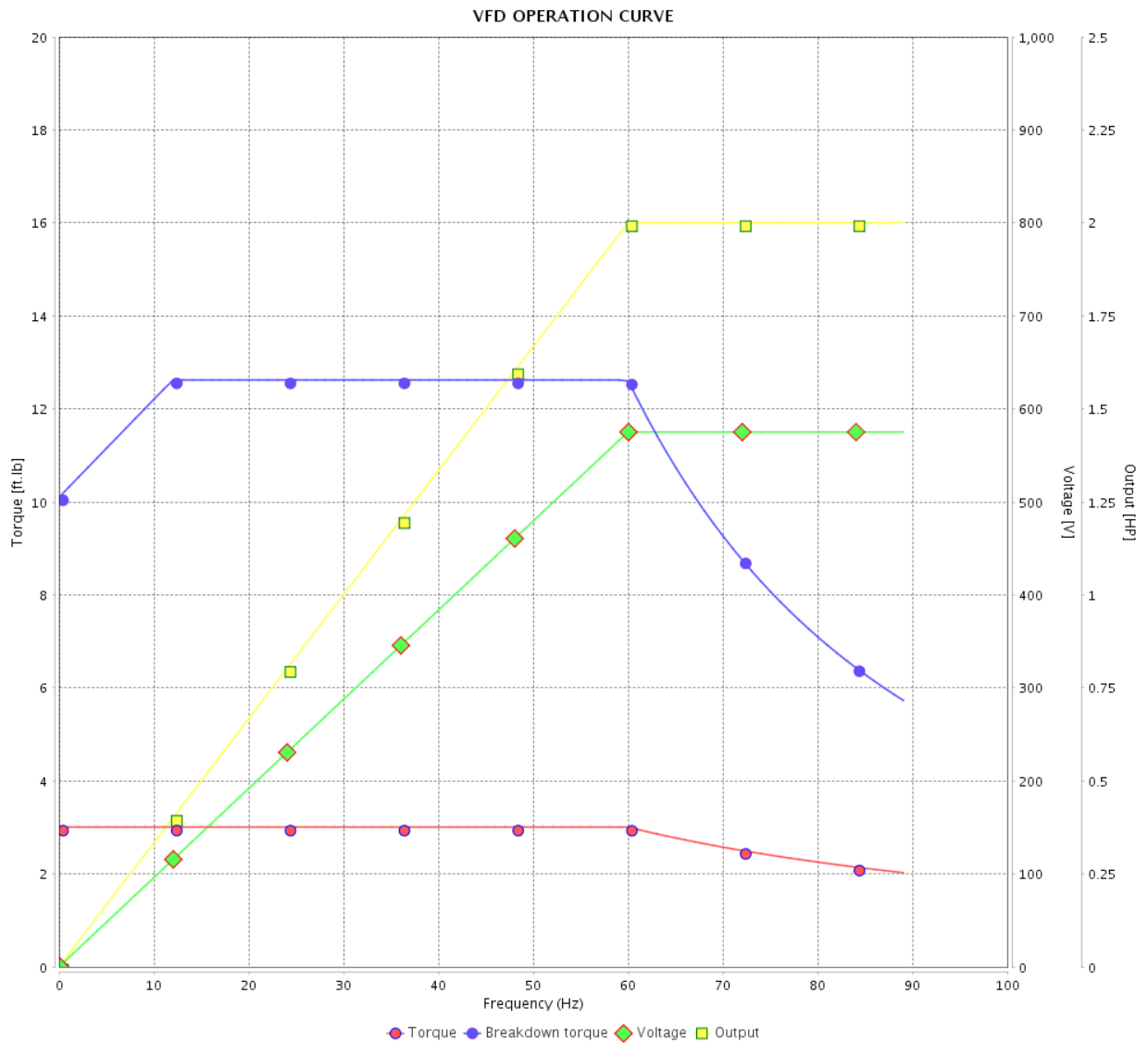


Customer :

Product line : NEMA Premium Efficiency Three-Phase

Product code : 14591686

Catalog # : 00236XT3H145T

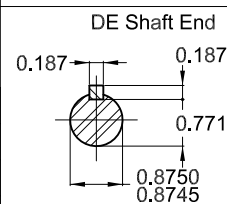
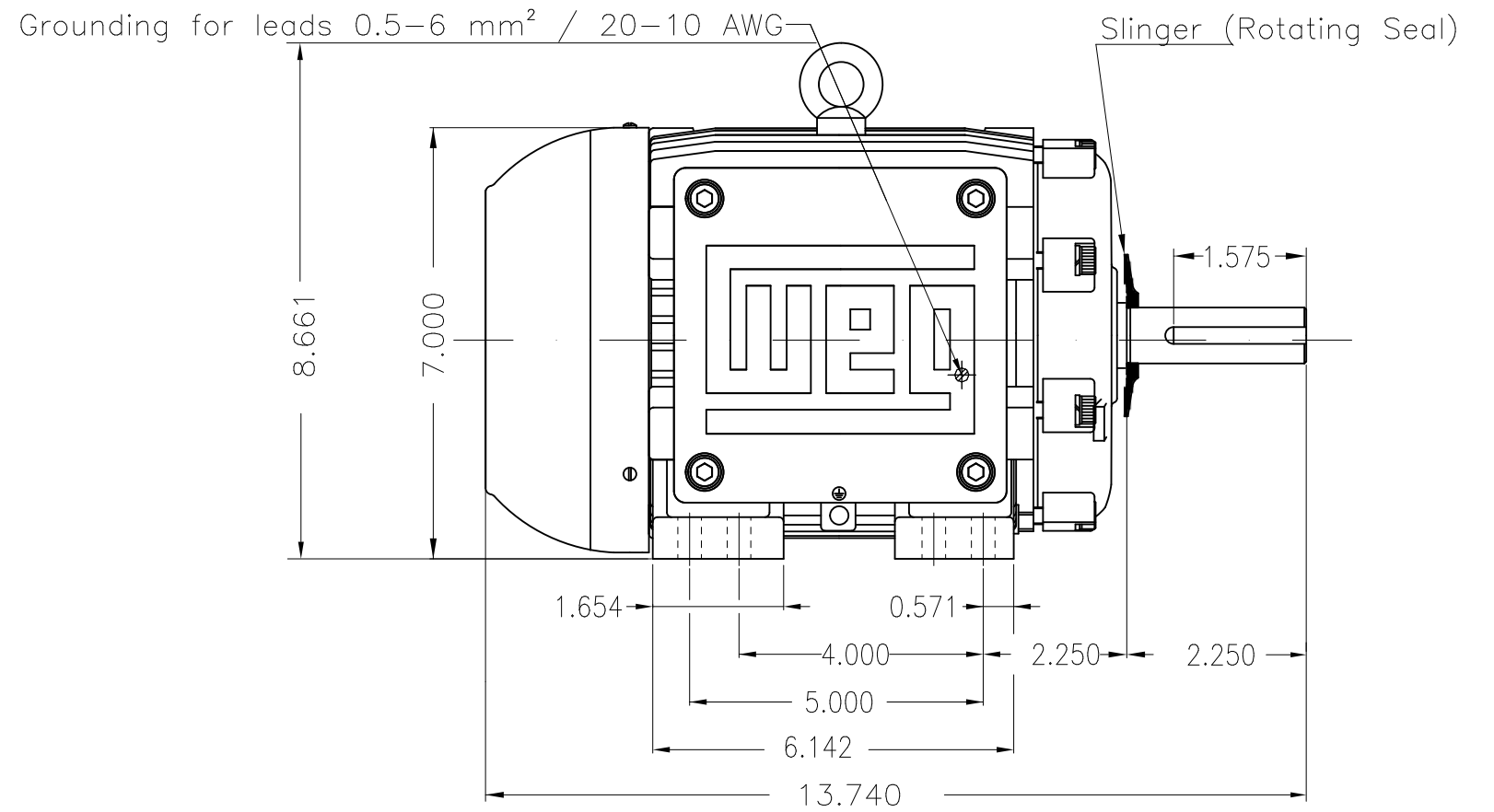
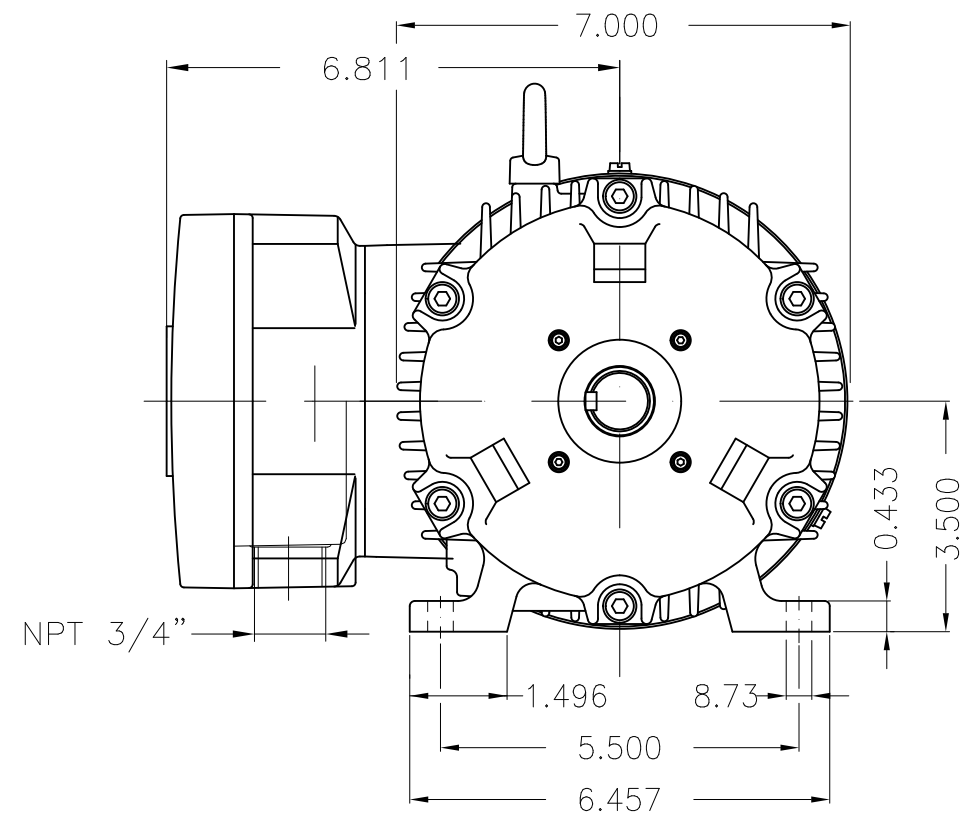


Performance : 575 V 60 Hz 2P

Rated current : 2.15 A
 LRC : 9.2
 Rated torque : 3.01 ft.lb
 Locked rotor torque : 370 %
 Breakdown torque : 420 %
 Rated speed : 3495 rpm

Moment of inertia (J) : 0.0551 sq.ft.lb
 Duty cycle : Cont.(S1)
 Insulation class : F
 Service factor : 1.15
 Temperature rise : 80 K
 Design : B

Rev.	Changes Summary	Performed	Checked	Date
Performed by				Page 7 / 7
Checked by				
Date	13/04/2022			



Color RAL 5009
Painting plan 202P
Mounting NEMA F-1
Mounting B3R(D)

2 HP 02 Poles 60 Hz

Dimensions in inches

ECM	LOC	SUMMARY OF MODIFICATIONS	EXECUTED	CHECKED	RELEASED	DATE	VER
EXECUTED	PIRWBUSER	THREE PH. MOTOR EXPLOSION PROOF PREM. EFF.					
CHECKED		FRAME 143/5T IP55 TEFC					
RELEASED							
REL DT.	WMO	Jaragua do Sul	Product Engineering				

PREVIEW
WDD



SHEET 1 / 1

MADE IN BRAZIL


W21X NEMA
Premium

14591686

CC029A

Inverter Duty Motor
Severe Duty


LISTED

MODEL 00236XT3H145T

PH 3 | FR 143/5T

HP(kW) 2.0(1.5)

HZ 60

IP55

V 575

A 2.15

RPM 3495

NEMA NOM EFF 85.5%

PF 0.82

SFA 2.47

DES B

INS CL F Δ T 80 K | SF 1.15

ENCL TEFC

DUTY CONT.

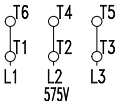
CODE L

ALT 1000

m.a.s.l.

AMB 40°C

AMB 55°C SF1.0



→ 6205-2RS MOBIL POLYREX EM

→ 6204-2RS

73 Lbs



TEMP CODE T3C

CSA/UL: Class I - Div. 1 - Groups C and D

CSA: Class II - Div. 1 - Groups F and G

CSA: Class I - Zone 1 - IIB

EXPLOSION PROOF MOTOR

FOR USE ON VPWM VFD 1000:1VT, 20:1CT, 1.0SF, T3C, AMB 40°C.