

DATA SHEET



Three Phase Induction Motor - Squirrel Cage

Customer	:		
Product line	: JM Pump NEMA Premium Efficiency Three-Phase	Product code :	12913380
		Catalog # :	00312ET3E213JM-S
Frame	: 213/5JM	Cooling method	: IC411 - TEFC
Insulation class	: F	Mounting	: F-1
Duty cycle	: Cont.(S1)	Rotation ¹	: Both (CW and CCW)
Ambient temperature	: -20°C to +40°C	Starting method	: Direct On Line
Altitude	: 1000 m.a.s.l.	Approx. weight ²	: 138 lb
Protection degree	: IP55	Moment of inertia (J)	: 1.08 sq.ft.lb
Design	: B		
Output [HP]	3	3	3
Poles	6	6	6
Frequency [Hz]	60	50	50
Rated voltage [V]	230/460	190/380	220/415
Rated current [A]	8.34/4.17	9.76/4.88	8.90/4.72
L. R. Amperes [A]	53.4/26.7	49.8/24.9	49.9/26.4
LRC [A]	6.4x(Code H)	5.1x(Code F)	5.6x(Code G)
No load current [A]	4.71/2.36	4.66/2.33	4.69/2.48
Rated speed [RPM]	1175	970	975
Slip [%]	2.08	3.00	2.50
Rated torque [ft.lb]	13.4	16.2	16.2
Locked rotor torque [%]	229	170	200
Breakdown torque [%]	290	220	250
Service factor	1.15	1.15	1.15
Temperature rise	80 K	80 K	80 K
Locked rotor time	82s (cold) 46s (hot)	0s (cold) 0s (hot)	0s (cold) 0s (hot)
Noise level ²	55.0 dB(A)	53.0 dB(A)	53.0 dB(A)
Efficiency (%)	25%	84.3	86.8
	50%	85.5	86.6
	75%	88.5	87.8
	100%	89.5	87.3
Power Factor	25%	0.32	0.34
	50%	0.55	0.58
	75%	0.67	0.70
	100%	0.74	0.77
Bearing type	: <u>Drive end</u> 6209 ZZ <u>Non drive end</u> 6206 ZZ	Foundation loads	
Sealing	: V'Ring Without Bearing Seal	Max. traction	: 159 lb
		Max. compression	: 297 lb
Lubrication interval	: -		
Lubricant amount	: -		
Lubricant type	: Mobil Polyrex EM		
Notes			
USABLE @208V 9.22A SF 1.00 SFA 9.22A			
This revision replaces and cancel the previous one, which must be eliminated. (1) Looking the motor from the shaft end. (2) Measured at 1m and with tolerance of +3dB(A). (3) Approximate weight subject to changes after manufacturing process. (4) At 100% of full load.		These are average values based on tests with sinusoidal power supply, subject to the tolerances stipulated in NEMA MG-1.	
Rev.	Changes Summary	Performed	Checked
			Date
Performed by			
Checked by			Page
Date	14/04/2022		Revision
			1 / 16

TORQUE AND CURRENT VS SPEED CURVE

Three Phase Induction Motor - Squirrel Cage



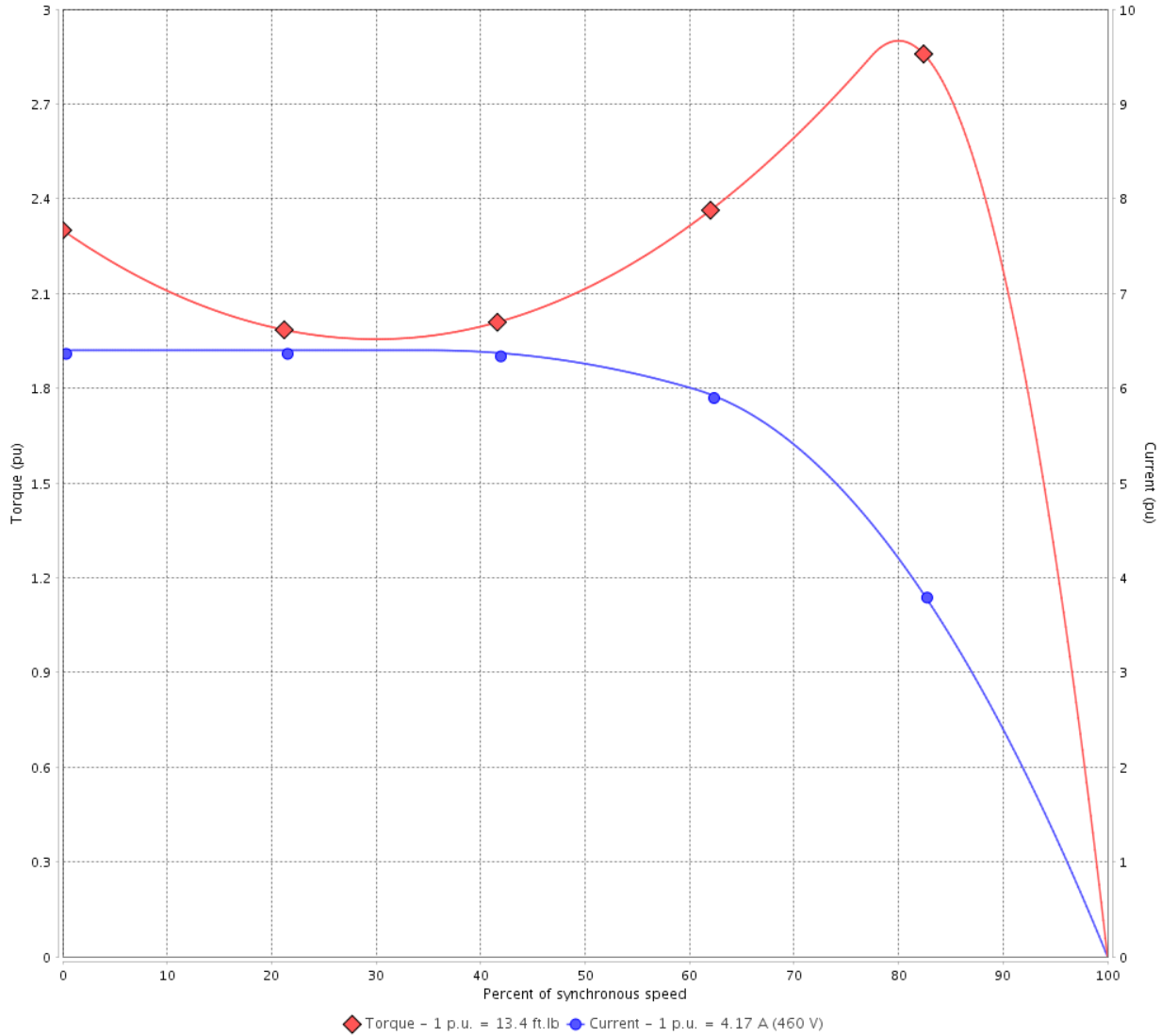
Customer :

Product line : JM Pump NEMA Premium
Efficiency Three-Phase

Product code : 12913380

Catalog # : 00312ET3E213JM-S

TORQUE AND CURRENT VS SPEED CURVE



Performance : 230/460 V 60 Hz 6P

Rated current	: 8.34/4.17 A	Moment of inertia (J)	: 1.08 sq.ft.lb
LRC	: 6.4	Duty cycle	: Cont.(S1)
Rated torque	: 13.4 ft.lb	Insulation class	: F
Locked rotor torque	: 229 %	Service factor	: 1.15
Breakdown torque	: 290 %	Temperature rise	: 80 K
Rated speed	: 1175 rpm	Design	: B

Locked rotor time : 82s (cold) 46s (hot)

Rev.	Changes Summary	Performed	Checked	Date
Performed by			Page 2 / 16	Revision
Checked by				
Date	14/04/2022			

TORQUE AND CURRENT VS SPEED CURVE



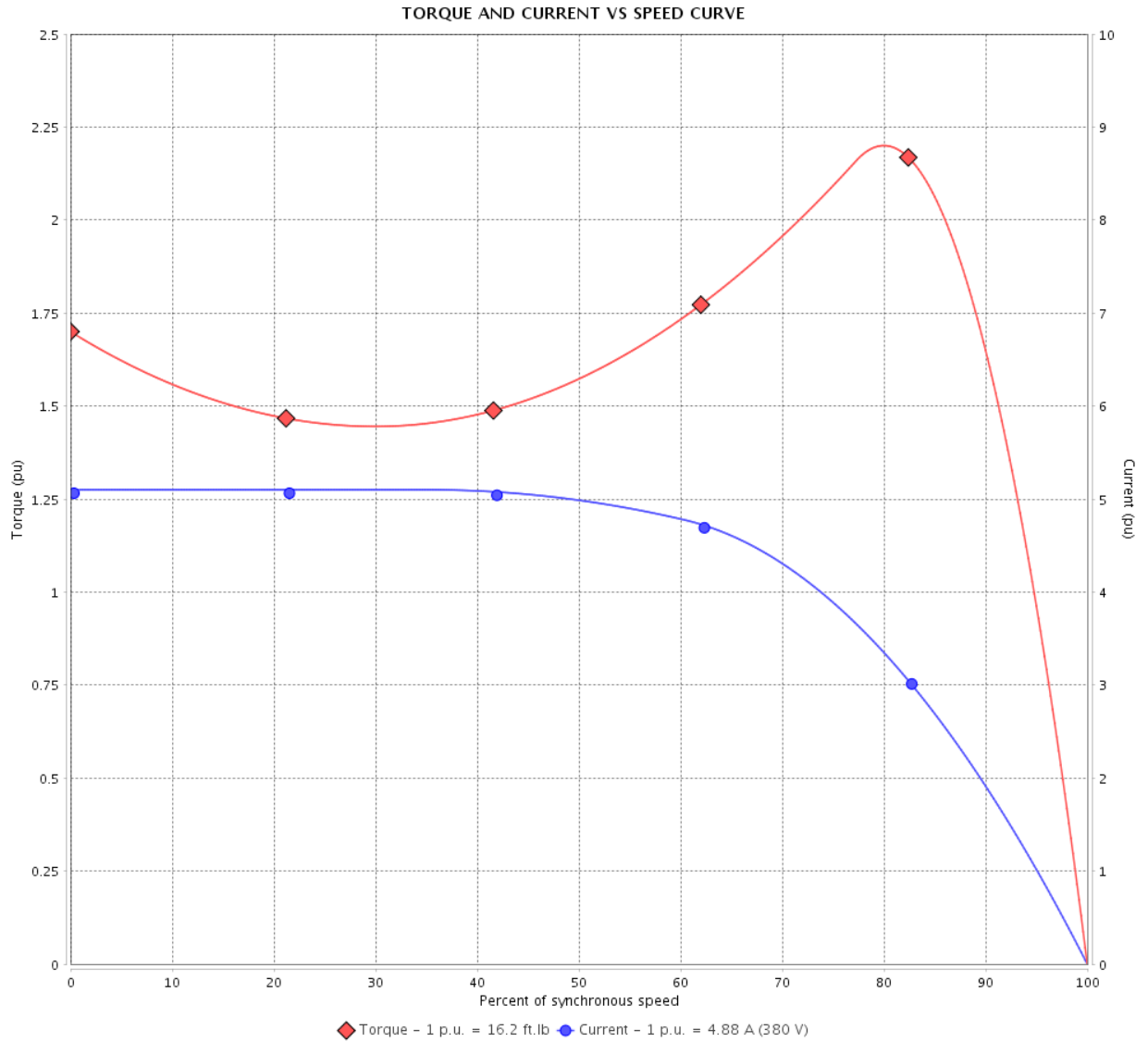
Three Phase Induction Motor - Squirrel Cage

Customer :

Product line : JM Pump NEMA Premium Efficiency Three-Phase

Product code : 12913380

Catalog # : 00312ET3E213JM-S



Performance : 190/380 V 50 Hz 6P

Rated current	: 9.76/4.88 A	Moment of inertia (J)	: 1.08 sq.ft.lb
LRC	: 5.1	Duty cycle	: Cont.(S1)
Rated torque	: 16.2 ft.lb	Insulation class	: F
Locked rotor torque	: 170 %	Service factor	: 1.15
Breakdown torque	: 220 %	Temperature rise	: 80 K
Rated speed	: 970 rpm	Design	: B

Locked rotor time : 0s (cold) 0s (hot)

Rev.	Changes Summary	Performed	Checked	Date
Performed by			Page 3 / 16	Revision
Checked by				
Date	14/04/2022			

TORQUE AND CURRENT VS SPEED CURVE

Three Phase Induction Motor - Squirrel Cage



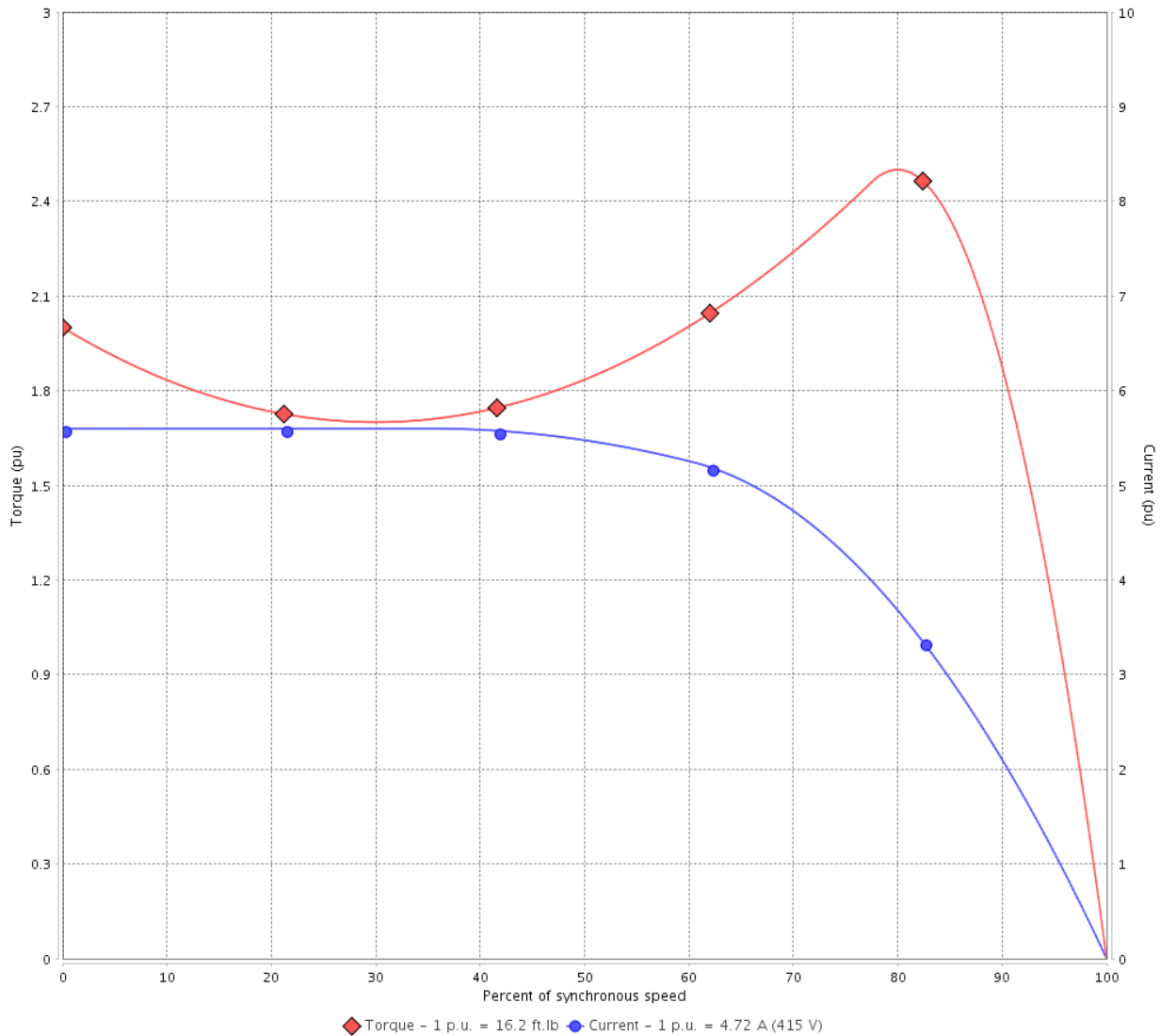
Customer :

Product line : JM Pump NEMA Premium
Efficiency Three-Phase

Product code : 12913380

Catalog # : 00312ET3E213JM-S

TORQUE AND CURRENT VS SPEED CURVE



Performance : 220/415 V 50 Hz 6P

Rated current	: 8.90/4.72 A	Moment of inertia (J)	: 1.08 sq.ft.lb
LRC	: 5.6	Duty cycle	: Cont.(S1)
Rated torque	: 16.2 ft.lb	Insulation class	: F
Locked rotor torque	: 200 %	Service factor	: 1.15
Breakdown torque	: 250 %	Temperature rise	: 80 K
Rated speed	: 975 rpm	Design	: B

Locked rotor time : 0s (cold) 0s (hot)

Rev.	Changes Summary	Performed	Checked	Date
Performed by			Page 4 / 16	Revision
Checked by				
Date	14/04/2022			

LOAD PERFORMANCE CURVE

Three Phase Induction Motor - Squirrel Cage

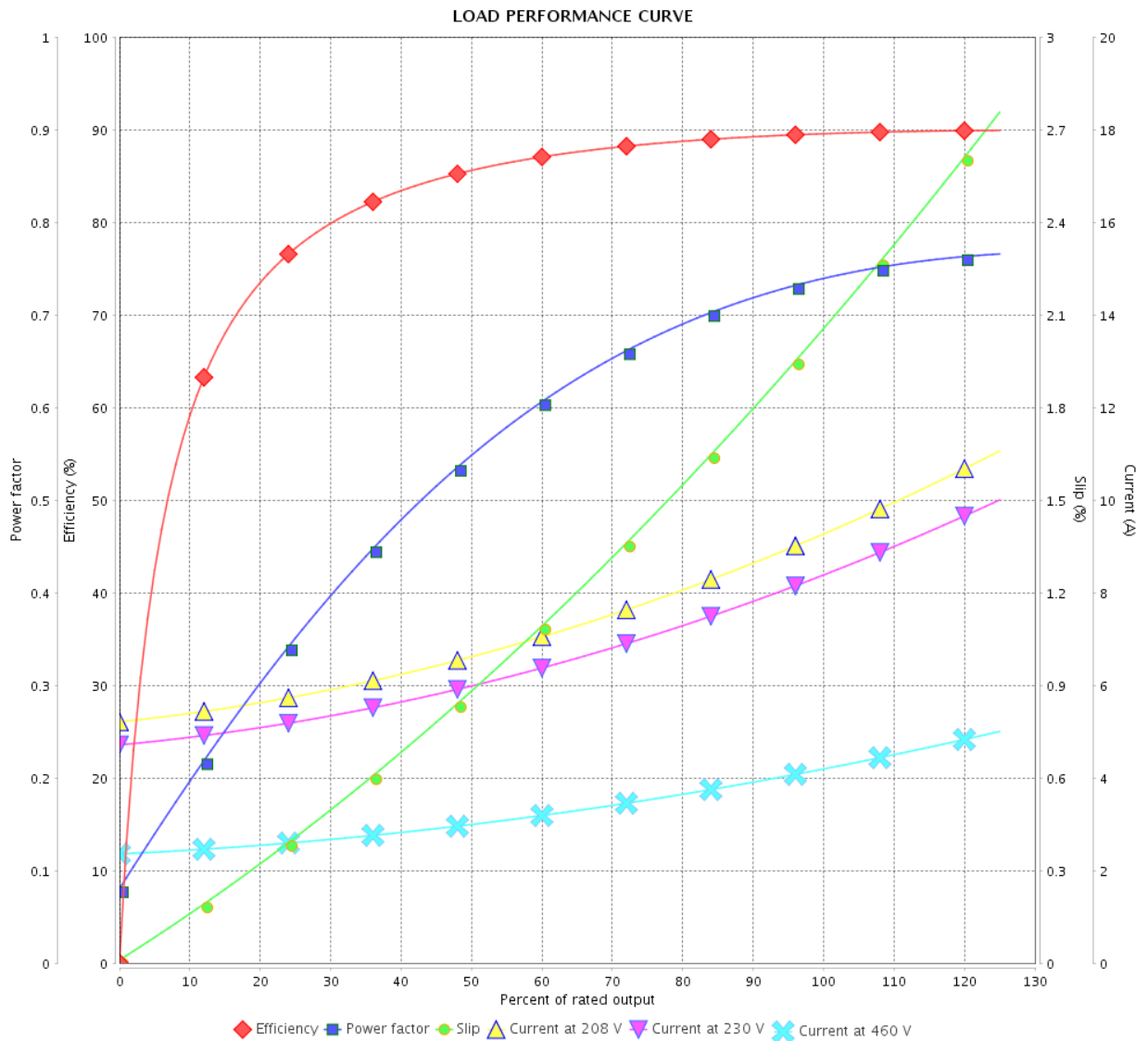


Customer :

Product line : JM Pump NEMA Premium Efficiency Three-Phase

Product code : 12913380

Catalog # : 00312ET3E213JM-S



Performance : 230/460 V 60 Hz 6P

Rated current : 8.34/4.17 A
 LRC : 6.4
 Rated torque : 13.4 ft.lb
 Locked rotor torque : 229 %
 Breakdown torque : 290 %
 Rated speed : 1175 rpm

Moment of inertia (J) : 1.08 sq.ft.lb
 Duty cycle : Cont.(S1)
 Insulation class : F
 Service factor : 1.15
 Temperature rise : 80 K
 Design : B

Rev.	Changes Summary	Performed	Checked	Date
Performed by			Page	Revision
Checked by			5 / 16	
Date	14/04/2022			

LOAD PERFORMANCE CURVE

Three Phase Induction Motor - Squirrel Cage



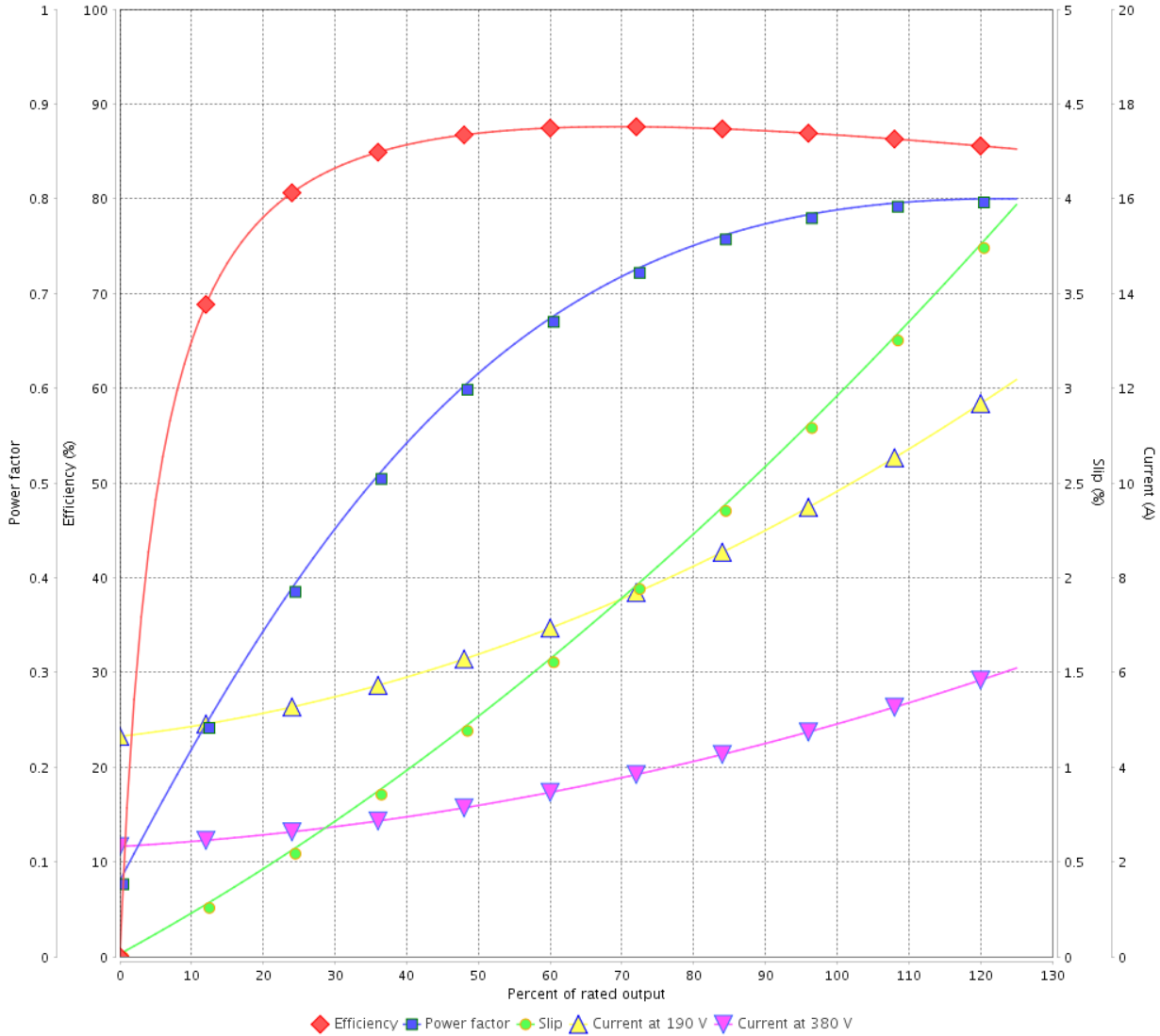
Customer :

Product line : JM Pump NEMA Premium
Efficiency Three-Phase

Product code : 12913380

Catalog # : 00312ET3E213JM-S

LOAD PERFORMANCE CURVE



Performance : 190/380 V 50 Hz 6P

Rated current : 9.76/4.88 A
 LRC : 5.1
 Rated torque : 16.2 ft.lb
 Locked rotor torque : 170 %
 Breakdown torque : 220 %
 Rated speed : 970 rpm

Moment of inertia (J) : 1.08 sq.ft.lb
 Duty cycle : Cont.(S1)
 Insulation class : F
 Service factor : 1.15
 Temperature rise : 80 K
 Design : B

Rev.	Changes Summary	Performed	Checked	Date
Performed by			Page	Revision
Checked by				
Date				

LOAD PERFORMANCE CURVE

Three Phase Induction Motor - Squirrel Cage

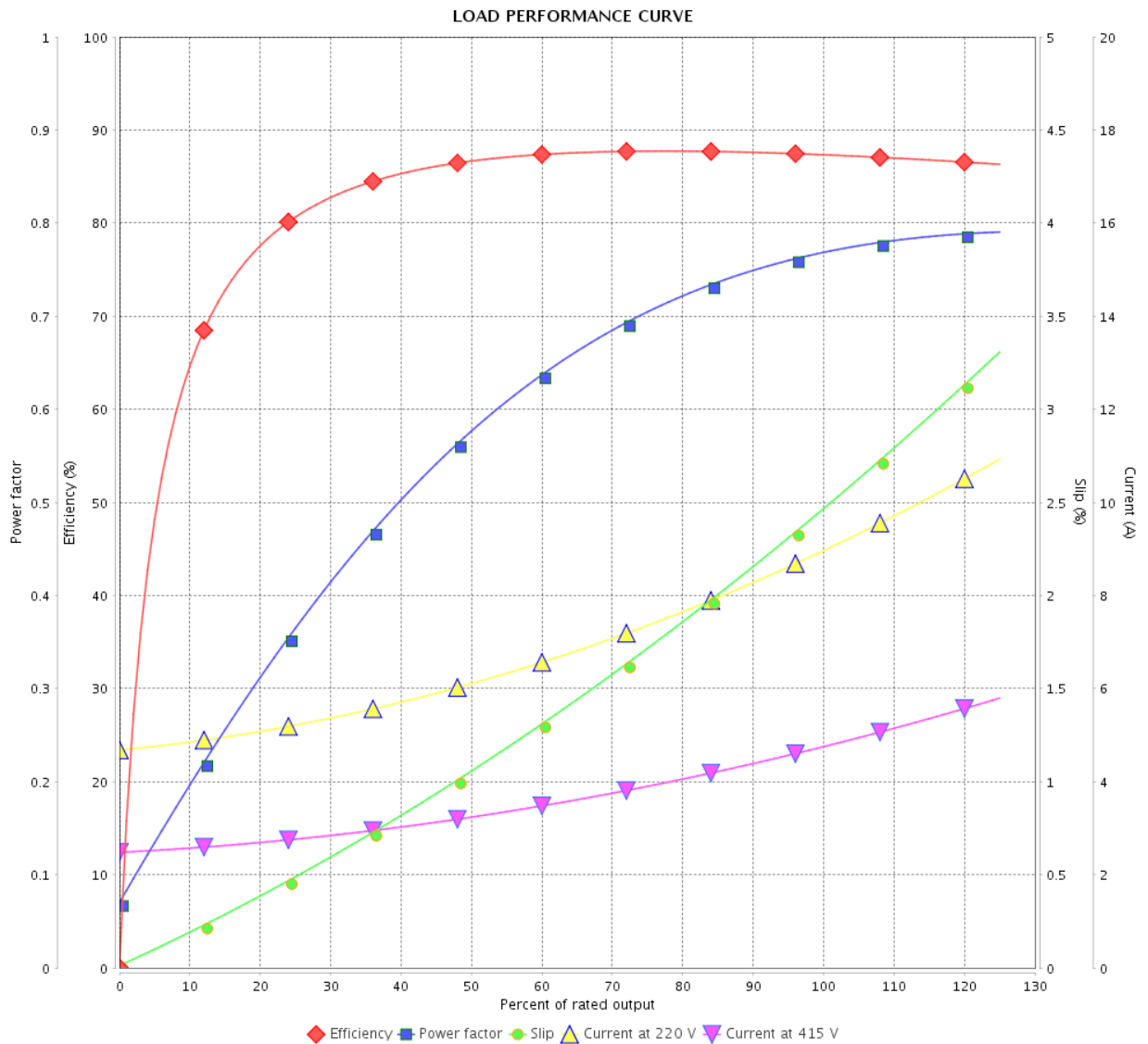


Customer :

Product line : JM Pump NEMA Premium Efficiency Three-Phase

Product code : 12913380

Catalog # : 00312ET3E213JM-S



Performance : 220/415 V 50 Hz 6P

Rated current : 8.90/4.72 A
 LRC : 5.6
 Rated torque : 16.2 ft.lb
 Locked rotor torque : 200 %
 Breakdown torque : 250 %
 Rated speed : 975 rpm

Moment of inertia (J) : 1.08 sq.ft.lb
 Duty cycle : Cont.(S1)
 Insulation class : F
 Service factor : 1.15
 Temperature rise : 80 K
 Design : B

Rev.	Changes Summary	Performed	Checked	Date
Performed by		Page		Revision
Checked by		7 / 16		
Date		14/04/2022		

THERMAL LIMIT CURVE



Three Phase Induction Motor - Squirrel Cage

Customer :

Product line : JM Pump NEMA Premium
Efficiency Three-Phase

Product code : 12913380

Catalog # : 00312ET3E213JM-S

Performance : 230/460 V 60 Hz 6P

Rated current : 8.34/4.17 A
LRC : 6.4
Rated torque : 13.4 ft.lb
Locked rotor torque : 229 %
Breakdown torque : 290 %
Rated speed : 1175 rpm

Moment of inertia (J) : 1.08 sq.ft.lb
Duty cycle : Cont.(S1)
Insulation class : F
Service factor : 1.15
Temperature rise : 80 K
Design : B

Heating constant

Cooling constant

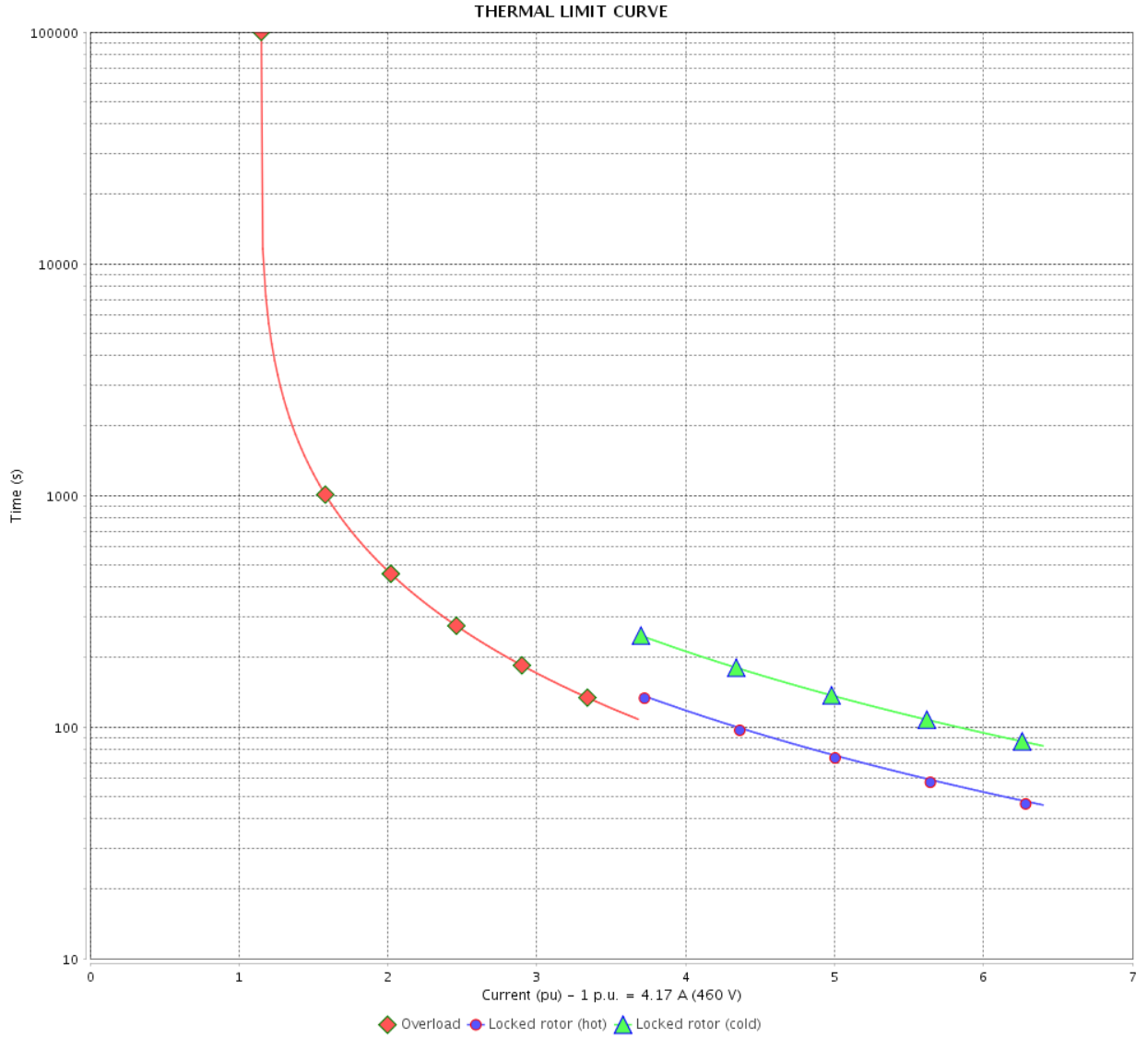
Rev.	Changes Summary	Performed	Checked	Date
Performed by				
Checked by			Page	Revision
Date	14/04/2022		8 / 16	

THERMAL LIMIT CURVE

Three Phase Induction Motor - Squirrel Cage



Customer : _____



Rev.	Changes Summary	Performed	Checked	Date
Performed by		Page		Revision
Checked by				
Date				

THERMAL LIMIT CURVE



Three Phase Induction Motor - Squirrel Cage

Customer :

Product line : JM Pump NEMA Premium
Efficiency Three-Phase

Product code : 12913380

Catalog # : 00312ET3E213JM-S

Performance : 190/380 V 50 Hz 6P

Rated current : 9.76/4.88 A

LRC : 5.1

Rated torque : 16.2 ft.lb

Locked rotor torque : 170 %

Breakdown torque : 220 %

Rated speed : 970 rpm

Moment of inertia (J) : 1.08 sq.ft.lb

Duty cycle : Cont.(S1)

Insulation class : F

Service factor : 1.15

Temperature rise : 80 K

Design : B

Heating constant

Cooling constant

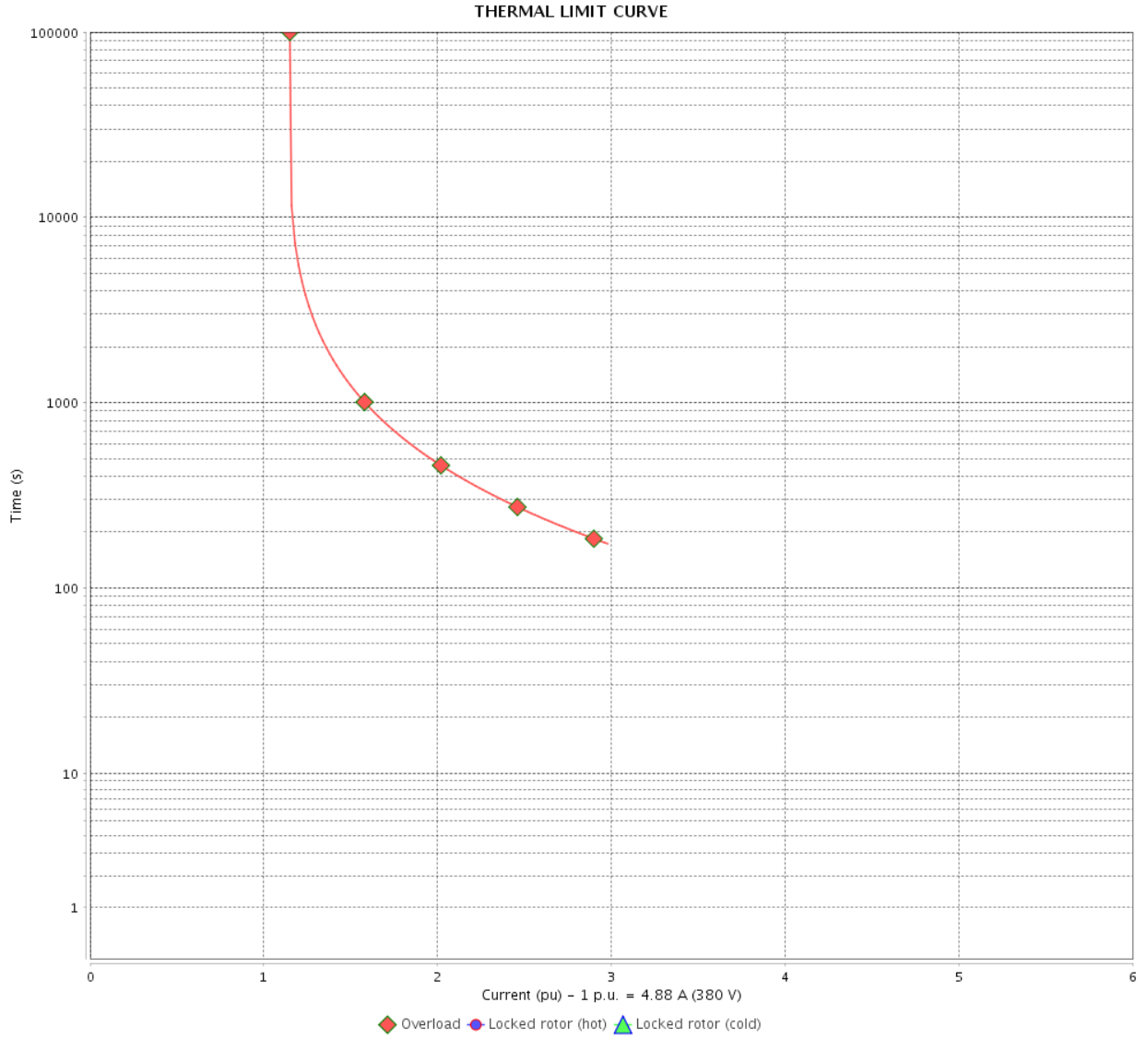
Rev.	Changes Summary	Performed	Checked	Date
Performed by				
Checked by			Page	Revision
Date	14/04/2022		10 / 16	

THERMAL LIMIT CURVE

Three Phase Induction Motor - Squirrel Cage



Customer : _____



Rev.	Changes Summary	Performed	Checked	Date
Performed by		Page		Revision
Checked by		11 / 16		
Date		14/04/2022		

THERMAL LIMIT CURVE



Three Phase Induction Motor - Squirrel Cage

Customer :

Product line : JM Pump NEMA Premium
Efficiency Three-Phase

Product code : 12913380

Catalog # : 00312ET3E213JM-S

Performance : 220/415 V 50 Hz 6P

Rated current : 8.90/4.72 A
LRC : 5.6
Rated torque : 16.2 ft.lb
Locked rotor torque : 200 %
Breakdown torque : 250 %
Rated speed : 975 rpm

Moment of inertia (J) : 1.08 sq.ft.lb
Duty cycle : Cont.(S1)
Insulation class : F
Service factor : 1.15
Temperature rise : 80 K
Design : B

Heating constant

Cooling constant

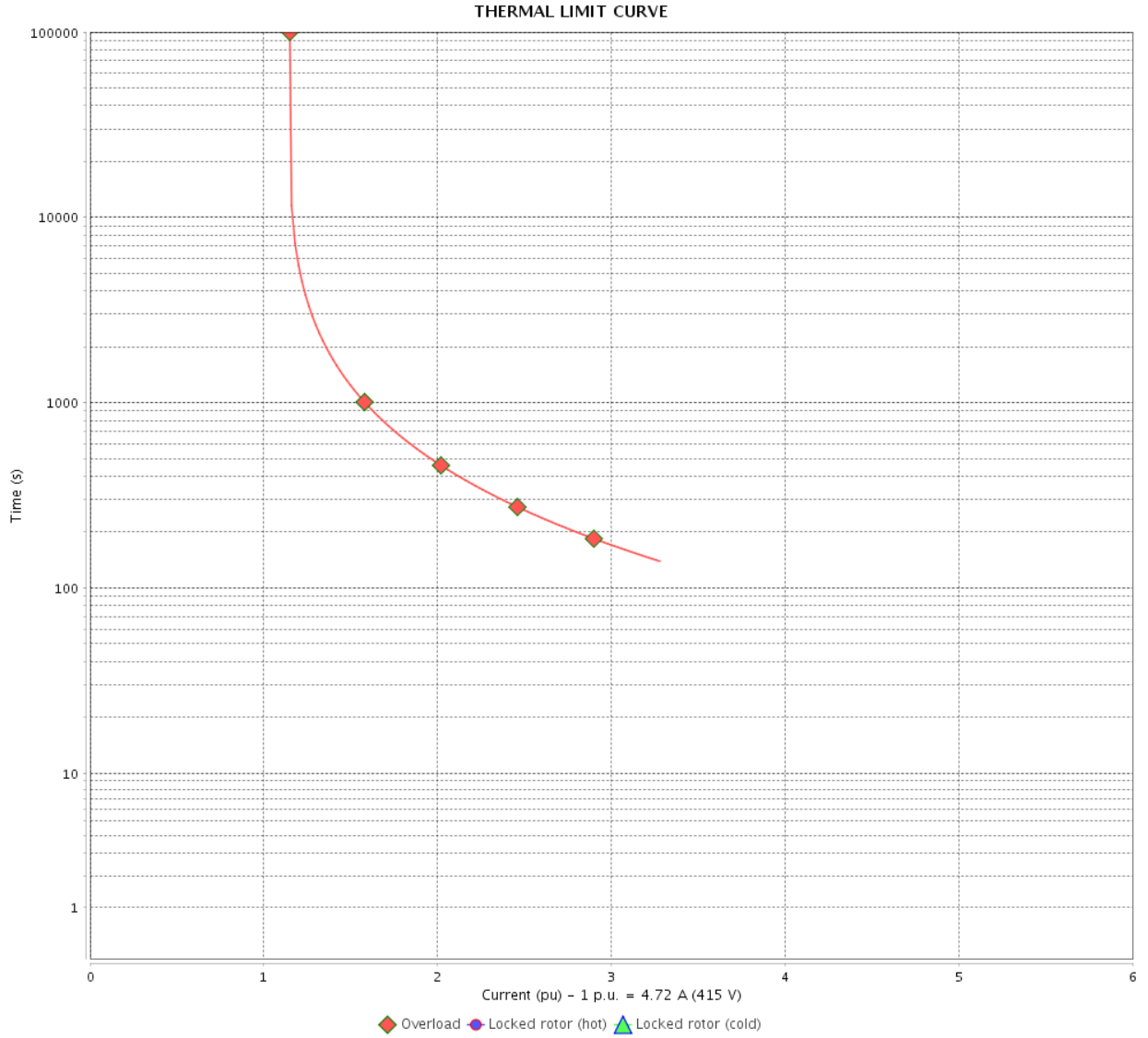
Rev.	Changes Summary	Performed	Checked	Date
Performed by				
Checked by			Page	Revision
Date	14/04/2022		12 / 16	

THERMAL LIMIT CURVE

Three Phase Induction Motor - Squirrel Cage



Customer : _____



Rev.	Changes Summary	Performed	Checked	Date
Performed by		Page		Revision
Checked by		13 / 16		
Date		14/04/2022		

VFD OPERATION CURVE

Three Phase Induction Motor - Squirrel Cage

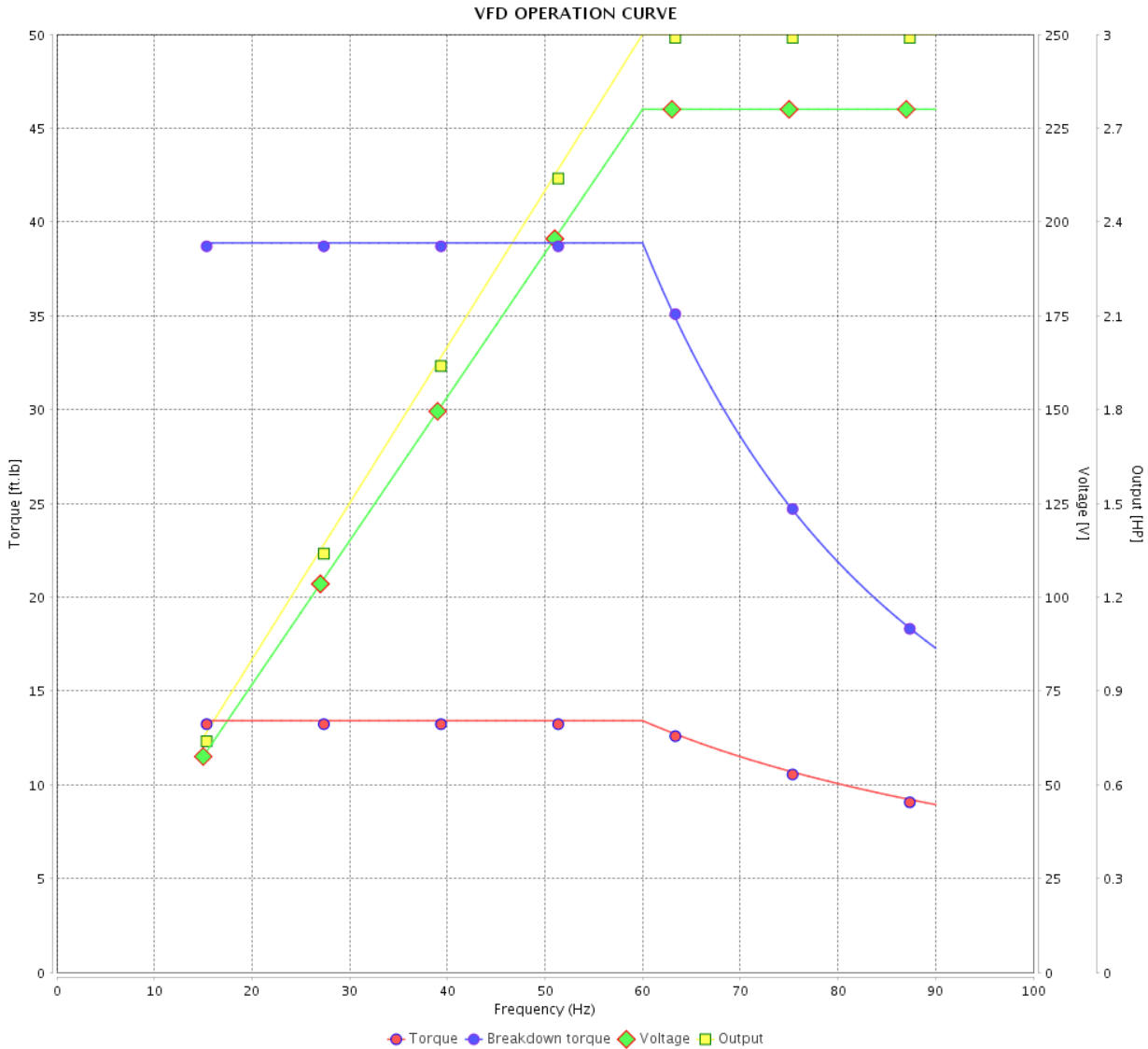


Customer :

Product line : JM Pump NEMA Premium Efficiency Three-Phase

Product code : 12913380

Catalog # : 00312ET3E213JM-S



Performance : 230/460 V 60 Hz 6P

Rated current : 8.34/4.17 A
 LRC : 6.4
 Rated torque : 13.4 ft.lb
 Locked rotor torque : 229 %
 Breakdown torque : 290 %
 Rated speed : 1175 rpm

Moment of inertia (J) : 1.08 sq.ft.lb
 Duty cycle : Cont.(S1)
 Insulation class : F
 Service factor : 1.15
 Temperature rise : 80 K
 Design : B

Rev.	Changes Summary	Performed	Checked	Date
Performed by			Page	Revision
Checked by				
Date				

VFD OPERATION CURVE

Three Phase Induction Motor - Squirrel Cage

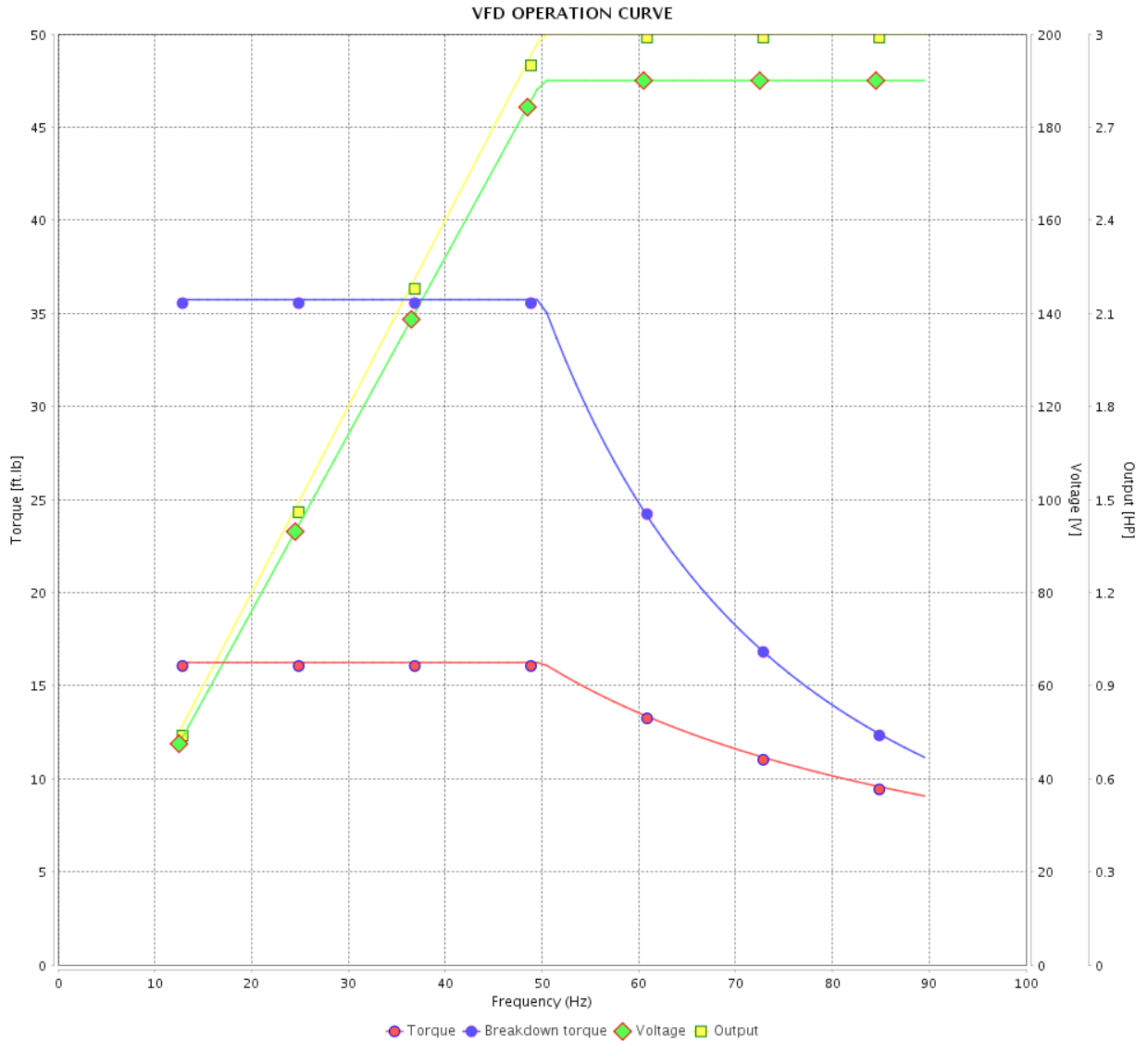


Customer :

Product line : JM Pump NEMA Premium Efficiency Three-Phase

Product code : 12913380

Catalog # : 00312ET3E213JM-S



Performance : 190/380 V 50 Hz 6P

Rated current : 9.76/4.88 A
 LRC : 5.1
 Rated torque : 16.2 ft.lb
 Locked rotor torque : 170 %
 Breakdown torque : 220 %
 Rated speed : 970 rpm

Moment of inertia (J) : 1.08 sq.ft.lb
 Duty cycle : Cont.(S1)
 Insulation class : F
 Service factor : 1.15
 Temperature rise : 80 K
 Design : B

Rev.	Changes Summary	Performed	Checked	Date
Performed by				Page 15 / 16
Checked by				
Date	14/04/2022			

VFD OPERATION CURVE

Three Phase Induction Motor - Squirrel Cage

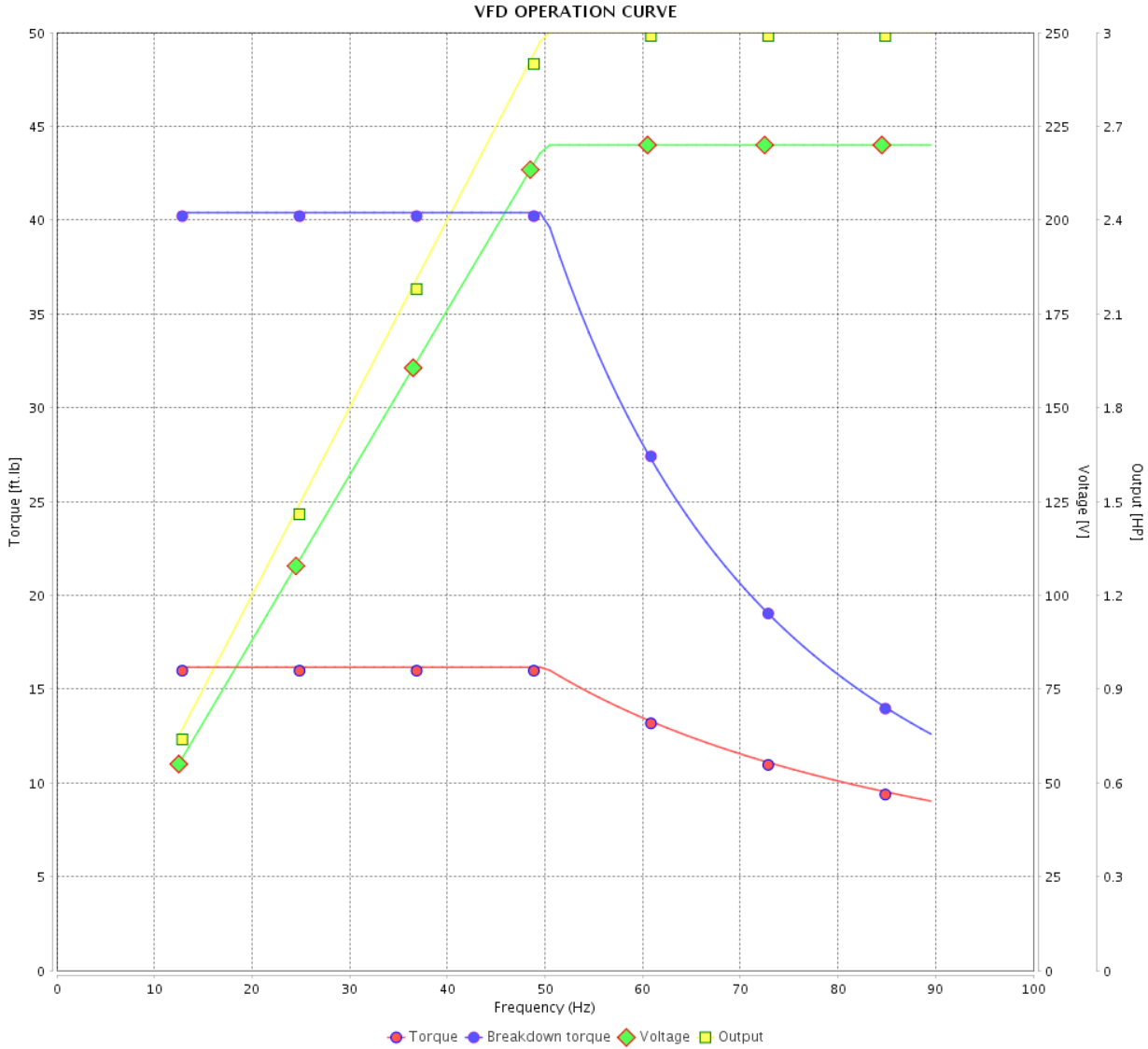


Customer : _____

Product line : JM Pump NEMA Premium Efficiency Three-Phase

Product code : 12913380

Catalog # : 00312ET3E213JM-S



Performance : 220/415 V 50 Hz 6P

Rated current : 8.90/4.72 A
 LRC : 5.6
 Rated torque : 16.2 ft.lb
 Locked rotor torque : 200 %
 Breakdown torque : 250 %
 Rated speed : 975 rpm

Moment of inertia (J) : 1.08 sq.ft.lb
 Duty cycle : Cont.(S1)
 Insulation class : F
 Service factor : 1.15
 Temperature rise : 80 K
 Design : B

Rev.	Changes Summary	Performed	Checked	Date
Performed by			Page	Revision
Checked by				
Date				

1 2 3 4 5 6

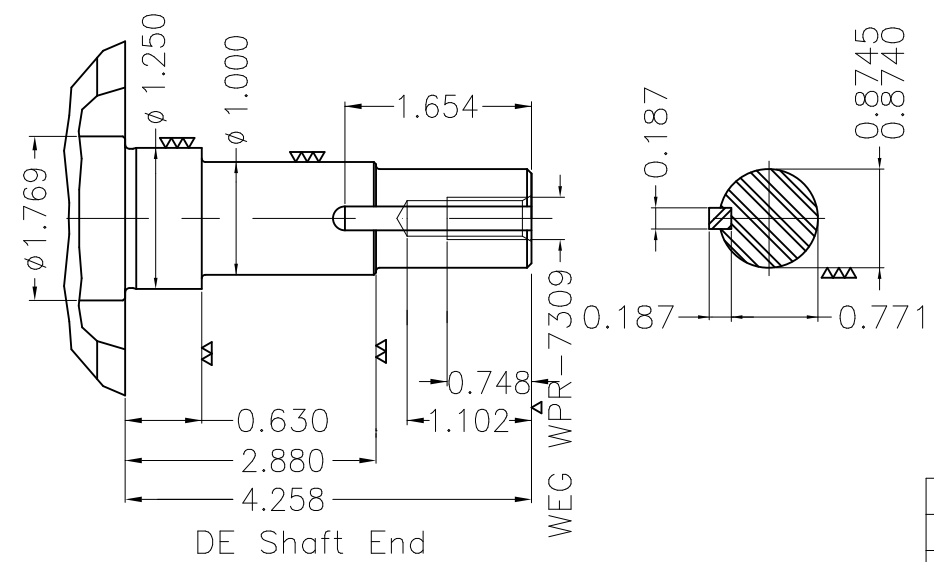
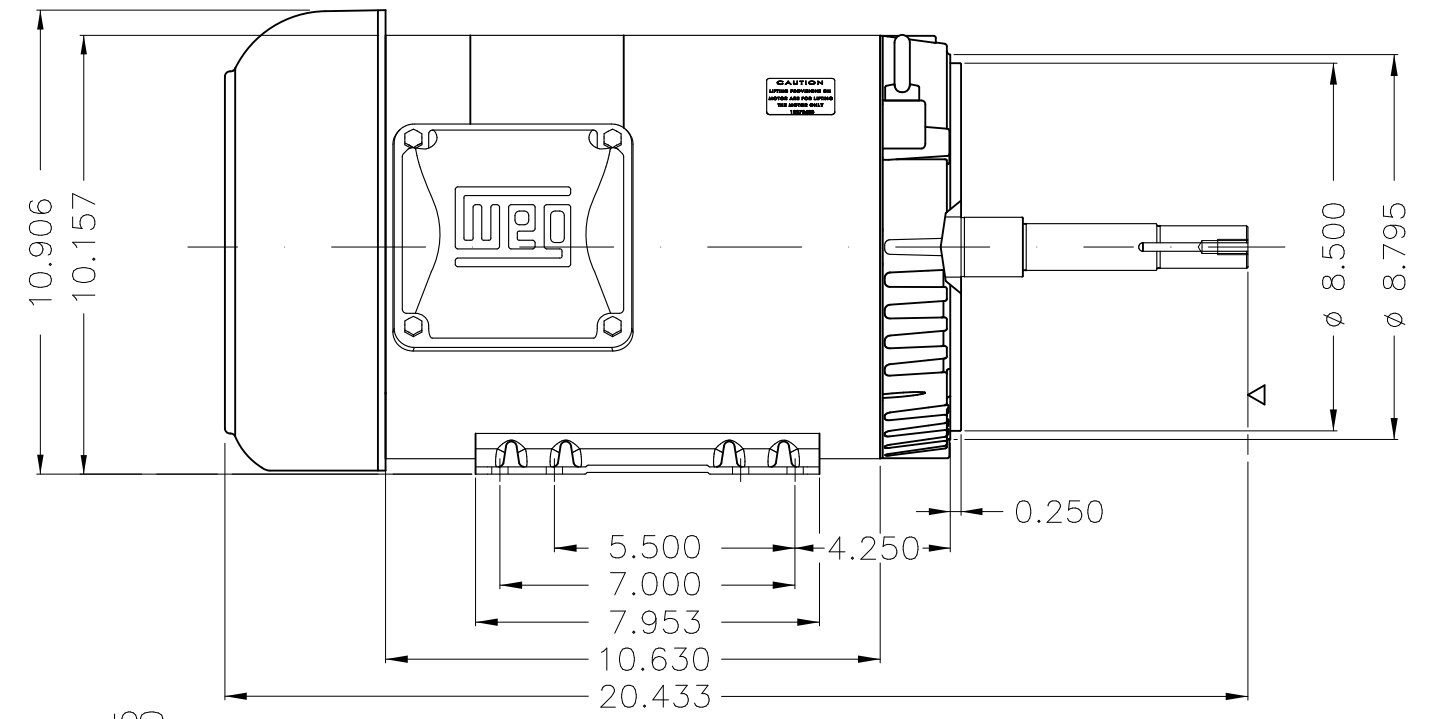
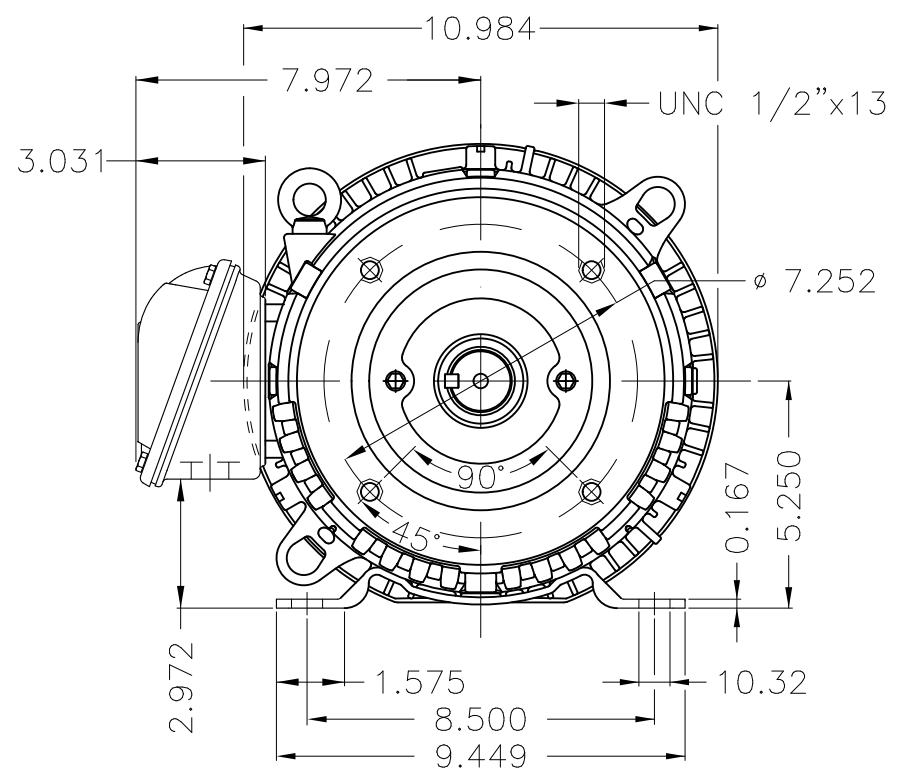
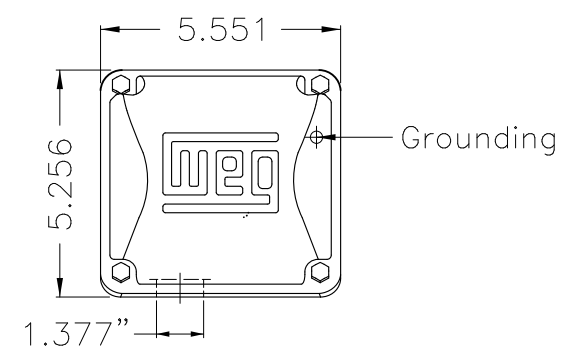
A

B

C

D

E



EUNC 3/8" - 16 WEG WPR-7309

DE Shaft End

Color Munsell N 1 matte black									
Painting plan 207N									
Mounting F-1/B34R(D)									
ECM	LOC	SUMMARY OF MODIFICATIONS			EXECUTED	CHECKED	RELEASED	DATE	VER
EXECUTED	PIRWBUSER	THREE PH. MOTOR ROLLED STEEL CLOSE COUPLED PUMP JN TYPE PSE 1/2"							
CHECKED		FRAME 213/5JM IP55 TEFC							
RELEASED									
REL DT.		WMO	Jaragua do Sul	Product Engineering					

PREVIEW

WDD



3 HP 06 Poles 60 Hz

Dimensions in inches XME A3



NEMA
Premium



MADE IN MEXICO

MAT: 12913380 CC029A

W01.TE0IC0X0N

JM003406NPW01

06SEP2021 S/N:

**For 60Hz: Class I, Zone 2, IIC
Class I, Div.2, Gr. A,B,C,D - T3
Div 2 Inverter Duty (SF1.00)**

CT 2:1/VT 1000:1

PH 3	HZ 60	HP 3.0
FR 213/5JM		KW 2.2
DUTY CONT.		V 230/460
ALT 1000 m.a.s.l.		A 8.34/4.17
INS CL F AT 80K	IP55	SFA 9.59/4.80
AMB 40°C	DES B	SF 1.15
ENCL TEFC	CODE H	PF 0.74
USABLE @ 208V 9.22A		RPM 1175
SF1.00		NEMA NOM. EFF 89.5%

ALTERNATE RATING: 3.0HP 50Hz 190-220/380-415V SF1.15
9.76-8.79/4.88-4.66A 970RPM EFF 86.7% (IE3) IEC 60034-1

For safe area-inverter duty motor For 60Hz use on VPWM 1000:1 VT, 4:1 CT

DE 6209-ZZ	ODE 6206-ZZ	MOBIL POLYREX EM
-------------------	--------------------	-------------------------



T1-BLU T2-WHT
 T3-ORG T4-YEL
 T5-BLK T6-GRY
 T7-PNK T8-RED
 T9-BRK RED

INTERCHANGE ANY TWO LINE WIRES TO REVERSE THE ROTATION

WARNING: Motor must be grounded in accordance with local and national electrical codes to prevent serious electrical shocks. Disconnect power source before servicing unit.



AVERTISSEMENT: Le moteur doit être mis à la terre conformément aux codes électriques locaux et nationaux afin d'éviter tout choc électrique grave. Déconnectez l'alimentation avant l'entretien de la machine.

