

DATA SHEET



Three Phase Induction Motor - Squirrel Cage

Customer : _____																	
Product line : NEMA Premium Efficiency Three-Phase	Product code : 12674857 Catalog # : 00312OT3H213TC-S																
Frame : 213/5TC Output : 3 HP (2.2 kW) Poles : 6 Frequency : 60 Hz Rated voltage : 575 V Rated current : 3.33 A L. R. Amperes : 19.6 A LRC : 5.9x(Code H) No load current : 1.83 A Rated speed : 1175 rpm Slip : 2.08 % Rated torque : 13.4 ft.lb Locked rotor torque : 210 % Breakdown torque : 260 % Insulation class : F Service factor : 1.15 Moment of inertia (J) : 0.8104 sq.ft.lb Design : B	Locked rotor time : 70s (cold) 39s (hot) Temperature rise : 80 K Duty cycle : Cont.(S1) Ambient temperature : -20°C to +40°C Altitude : 1000 m.a.s.l. Cooling method : IC01 - ODP Mounting : F-1 Rotation ¹ : Both (CW and CCW) Noise level ² : 55.0 dB(A) Starting method : Direct On Line Approx. weight ³ : 98.3 lb																
<table border="1" style="width:100%; border-collapse: collapse;"> <tr> <td>Output</td> <td>25%</td> <td>50%</td> <td>75%</td> <td>100%</td> <td rowspan="3">Foundation loads Max. traction : 147 lb Max. compression : 245 lb</td> </tr> <tr> <td>Efficiency (%)</td> <td>85.4</td> <td>86.5</td> <td>87.5</td> <td>88.5</td> </tr> <tr> <td>Power Factor</td> <td>0.33</td> <td>0.56</td> <td>0.68</td> <td>0.75</td> </tr> </table>	Output	25%	50%	75%	100%	Foundation loads Max. traction : 147 lb Max. compression : 245 lb	Efficiency (%)	85.4	86.5	87.5	88.5	Power Factor	0.33	0.56	0.68	0.75	
Output	25%	50%	75%	100%	Foundation loads Max. traction : 147 lb Max. compression : 245 lb												
Efficiency (%)	85.4	86.5	87.5	88.5													
Power Factor	0.33	0.56	0.68	0.75													
Bearing type : <u>Drive end</u> 6208 ZZ <u>Non drive end</u> 6206 ZZ Sealing : Without Bearing Seal Without Bearing Seal Lubrication interval : - - Lubricant amount : - - Lubricant type : Mobil Polyrex EM																	
Notes																	
This revision replaces and cancel the previous one, which must be eliminated. (1) Looking the motor from the shaft end. (2) Measured at 1m and with tolerance of +3dB(A). (3) Approximate weight subject to changes after manufacturing process. (4) At 100% of full load.	These are average values based on tests with sinusoidal power supply, subject to the tolerances stipulated in NEMA MG-1.																
Rev.	Changes Summary	Performed	Checked	Date													
Performed by																	
Checked by			Page	Revision													
Date	14/04/2022		1 / 6														

TORQUE AND CURRENT VS SPEED CURVE

Three Phase Induction Motor - Squirrel Cage



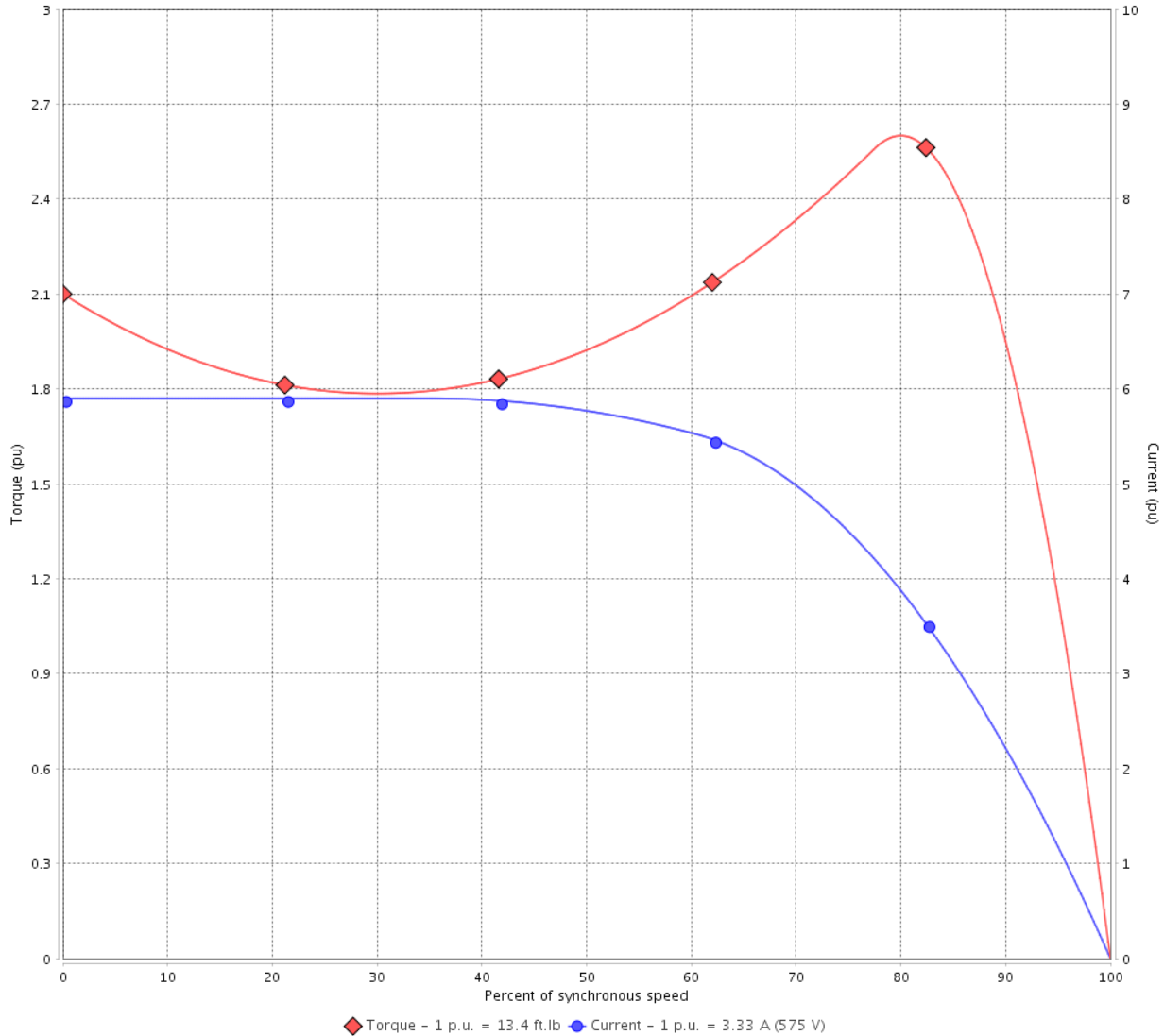
Customer :

Product line : NEMA Premium Efficiency Three-Phase

Product code : 12674857

Catalog # : 003120T3H213TC-S

TORQUE AND CURRENT VS SPEED CURVE



Performance : 575 V 60 Hz 6P

Rated current	: 3.33 A	Moment of inertia (J)	: 0.8104 sq.ft.lb
LRC	: 5.9	Duty cycle	: Cont.(S1)
Rated torque	: 13.4 ft.lb	Insulation class	: F
Locked rotor torque	: 210 %	Service factor	: 1.15
Breakdown torque	: 260 %	Temperature rise	: 80 K
Rated speed	: 1175 rpm	Design	: B

Locked rotor time : 70s (cold) 39s (hot)

Rev.	Changes Summary	Performed	Checked	Date
Performed by			Page 2 / 6	Revision
Checked by				
Date	14/04/2022			

LOAD PERFORMANCE CURVE

Three Phase Induction Motor - Squirrel Cage

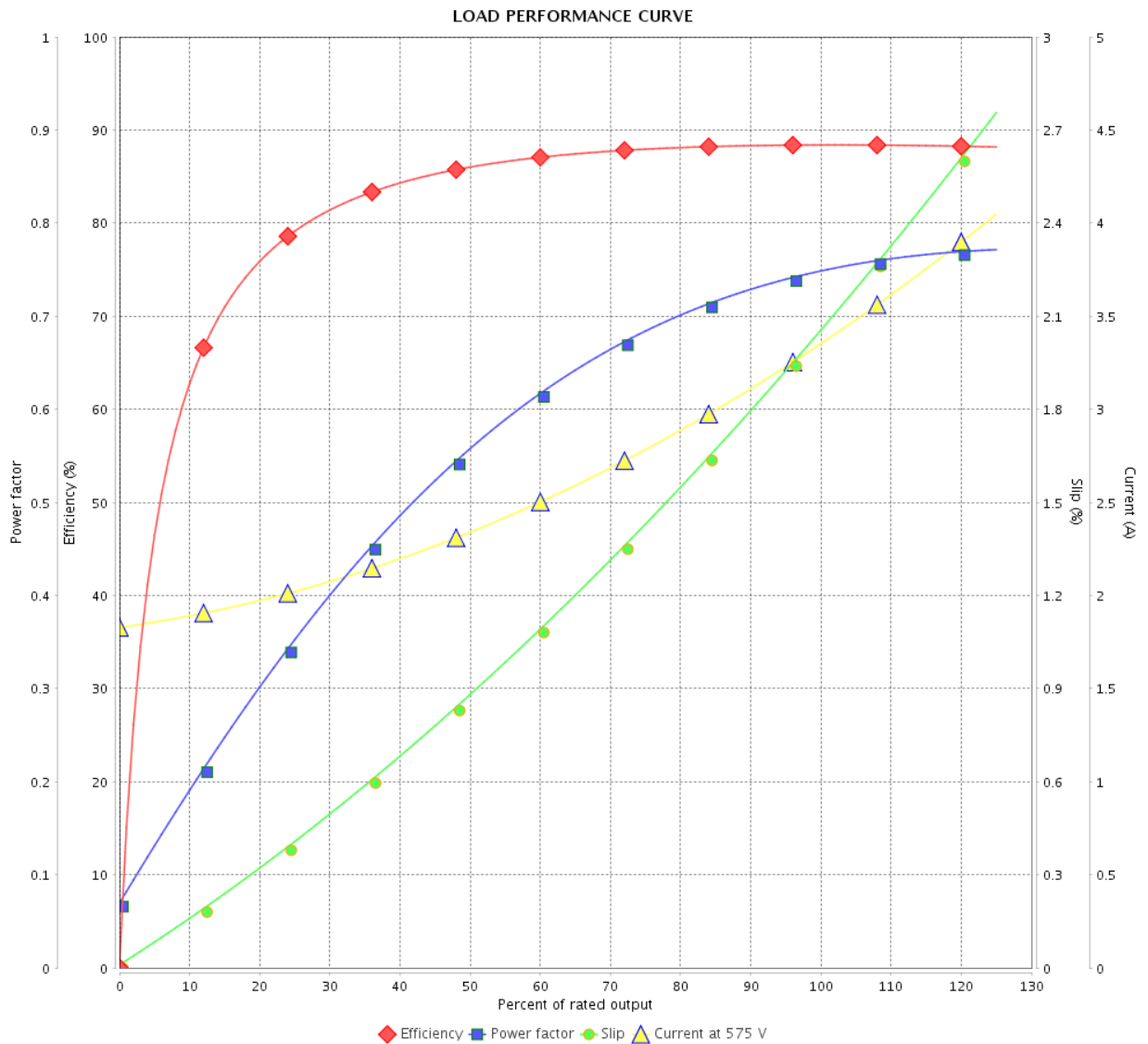


Customer : _____

Product line : NEMA Premium Efficiency Three-Phase

Product code : 12674857

Catalog # : 00312OT3H213TC-S



Performance : 575 V 60 Hz 6P

Rated current : 3.33 A
 LRC : 5.9
 Rated torque : 13.4 ft.lb
 Locked rotor torque : 210 %
 Breakdown torque : 260 %
 Rated speed : 1175 rpm

Moment of inertia (J) : 0.8104 sq.ft.lb
 Duty cycle : Cont.(S1)
 Insulation class : F
 Service factor : 1.15
 Temperature rise : 80 K
 Design : B

Rev.	Changes Summary	Performed	Checked	Date
Performed by			Page	Revision
Checked by			3 / 6	
Date	14/04/2022			

THERMAL LIMIT CURVE

Three Phase Induction Motor - Squirrel Cage



Customer :

Product line : NEMA Premium Efficiency Three-Phase
Product code : 12674857
Catalog # : 00312OT3H213TC-S

Performance : 575 V 60 Hz 6P

Rated current	: 3.33 A	Moment of inertia (J)	: 0.8104 sq.ft.lb
LRC	: 5.9	Duty cycle	: Cont.(S1)
Rated torque	: 13.4 ft.lb	Insulation class	: F
Locked rotor torque	: 210 %	Service factor	: 1.15
Breakdown torque	: 260 %	Temperature rise	: 80 K
Rated speed	: 1175 rpm	Design	: B

Heating constant

Cooling constant

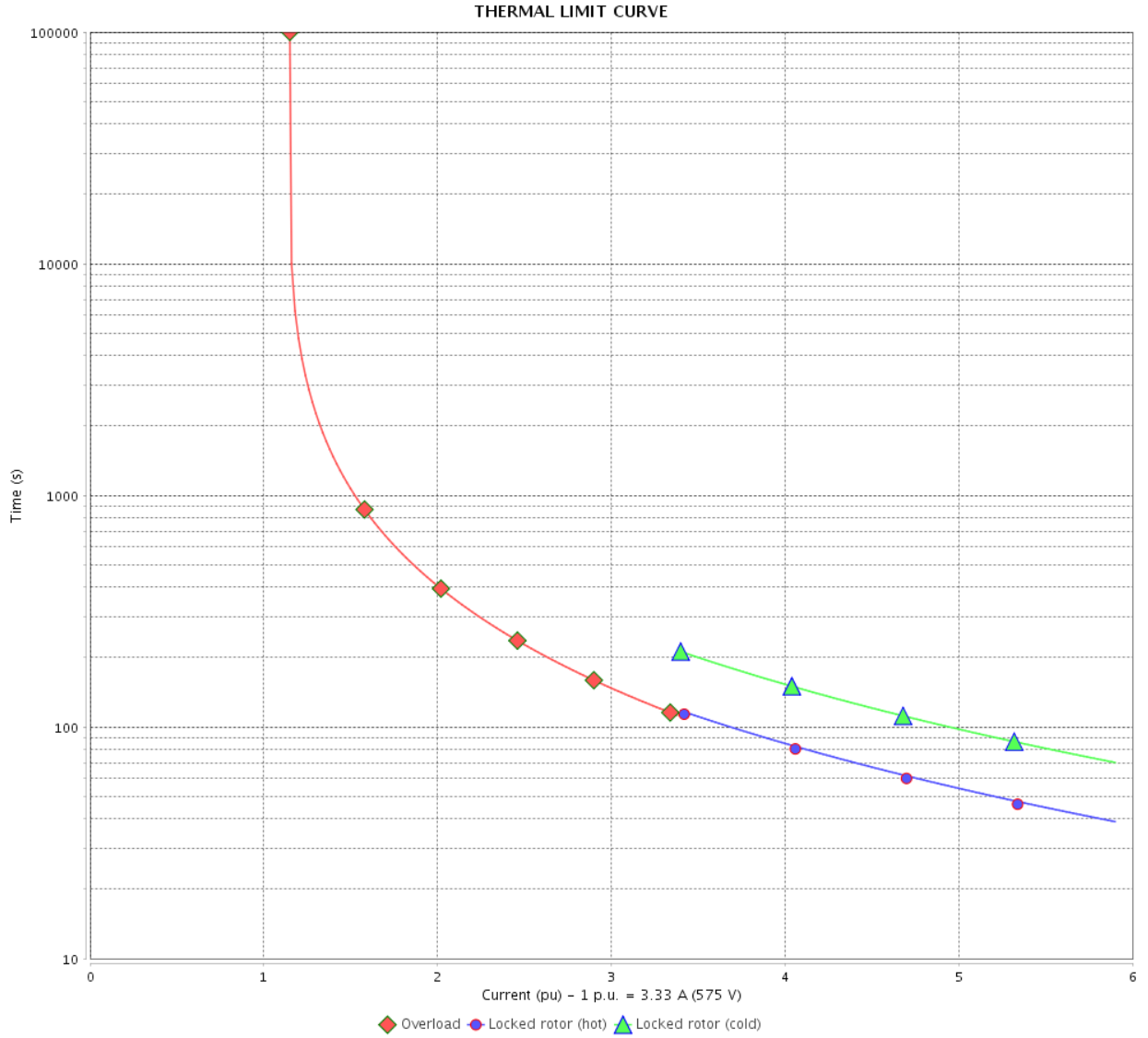
Rev.	Changes Summary	Performed	Checked	Date
Performed by				
Checked by			Page	Revision
Date	14/04/2022		4 / 6	

THERMAL LIMIT CURVE

Three Phase Induction Motor - Squirrel Cage



Customer : _____



Rev.	Changes Summary	Performed	Checked	Date
Performed by		Page		Revision
Checked by				
Date				

VFD OPERATION CURVE

Three Phase Induction Motor - Squirrel Cage

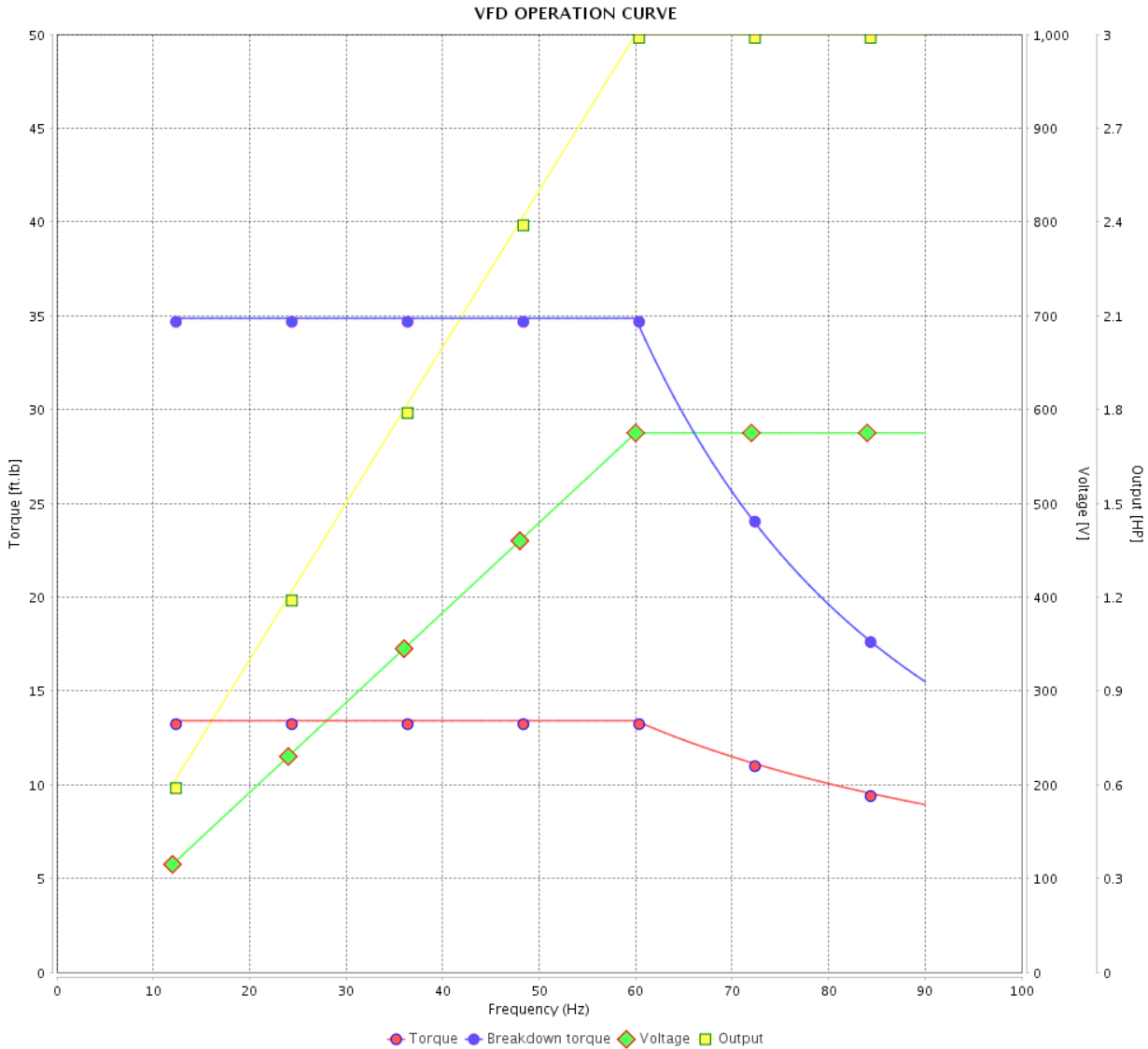


Customer : _____

Product line : NEMA Premium Efficiency Three-Phase

Product code : 12674857

Catalog # : 003120T3H213TC-S



Performance : 575 V 60 Hz 6P

Rated current : 3.33 A
 LRC : 5.9
 Rated torque : 13.4 ft.lb
 Locked rotor torque : 210 %
 Breakdown torque : 260 %
 Rated speed : 1175 rpm

Moment of inertia (J) : 0.8104 sq.ft.lb
 Duty cycle : Cont.(S1)
 Insulation class : F
 Service factor : 1.15
 Temperature rise : 80 K
 Design : B

Rev.	Changes Summary	Performed	Checked	Date
Performed by			Page 6 / 6	Revision
Checked by				
Date	14/04/2022			

1 2 3 4 5 6

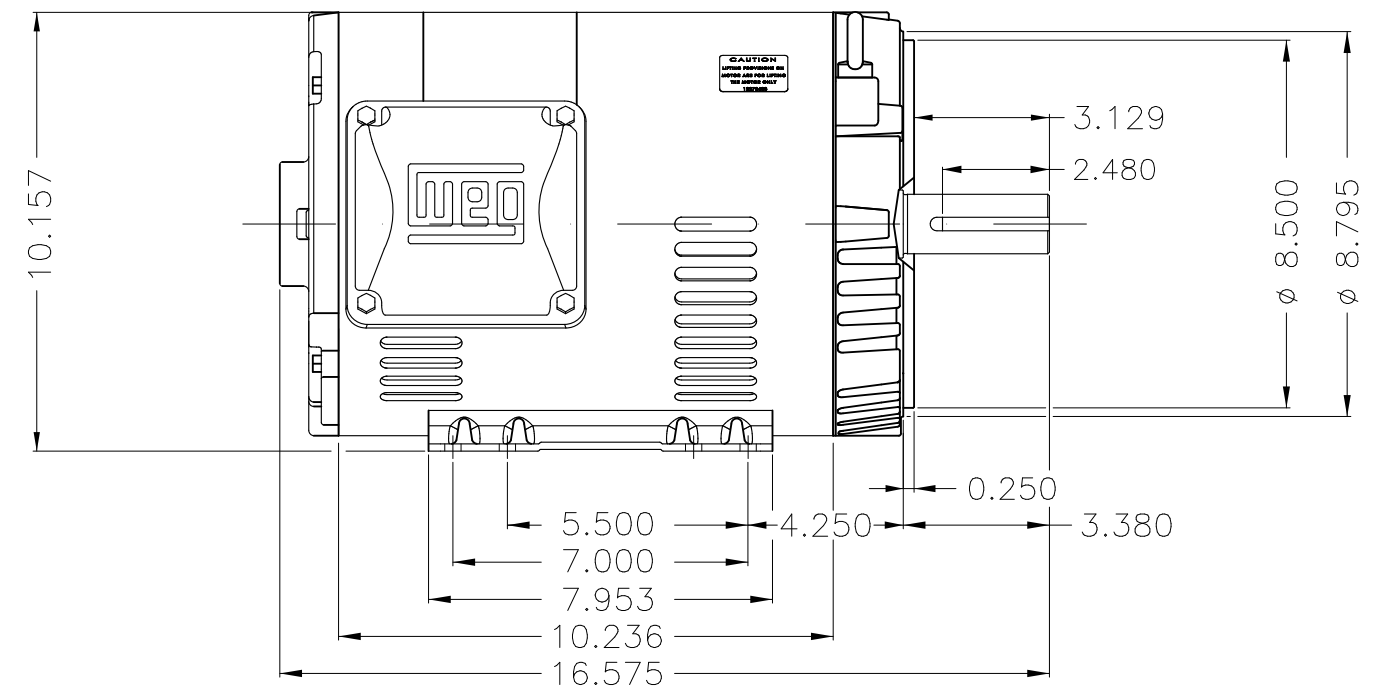
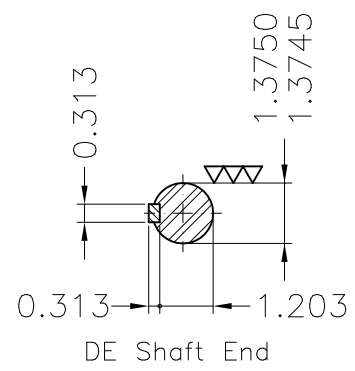
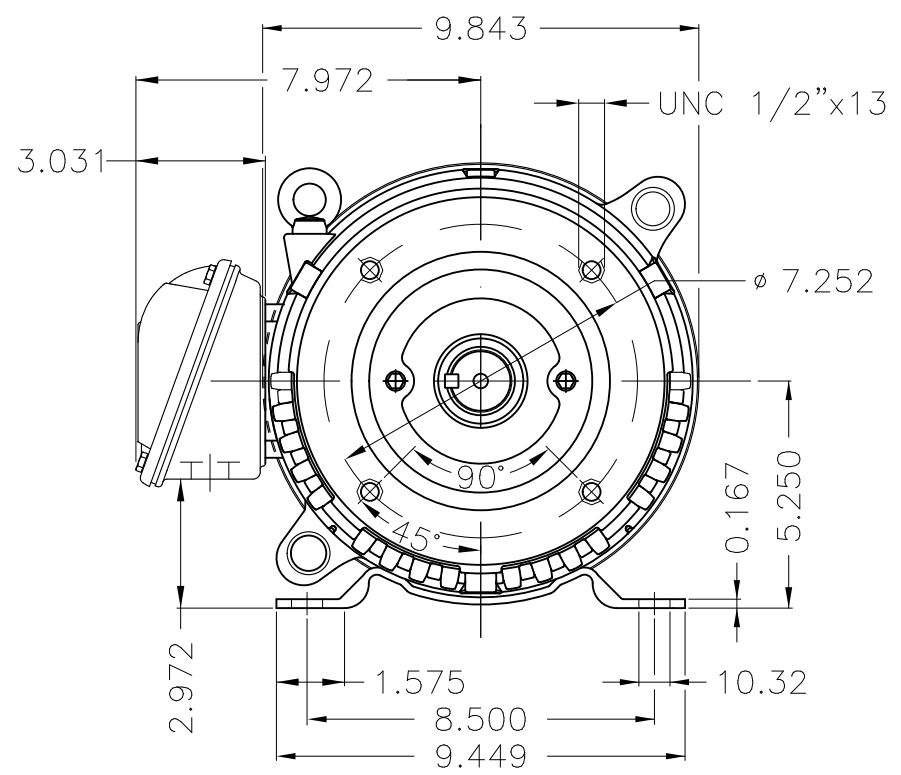
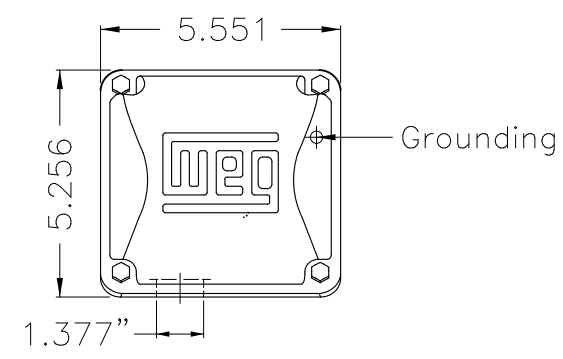
A

B

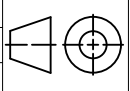
C

D

E



Color Munsell N 1 matte black
 Painting plan 207N
 Mounting F-1/B34R(D)

ECM	LOC	SUMMARY OF MODIFICATIONS	EXECUTED	CHECKED	RELEASED	DATE	VER
EXECUTED	PIRWBUSER	 THREE PH. MOTOR ROLLED STEEL PREM. EFF. FRAME 213/5TC IP21 ODP					
CHECKED							
RELEASED							
REL DT.	WMO	Jaragua do Sul	Product Engineering	SHEET	1 / 1		

3 HP 06 Poles 60 Hz

A

PREVIEW
WDD

