

DATA SHEET



Three Phase Induction Motor - Squirrel Cage

Customer :			
Product line	: JM Pump NEMA Premium Efficiency Three-Phase	Product code :	13443988
		Catalog # :	00318ET3E182JMV-S
Frame	: 182/4JM	Cooling method	: IC411 - TEFC
Insulation class	: F	Mounting	: W-6
Duty cycle	: Cont.(S1)	Rotation ¹	: Both (CW and CCW)
Ambient temperature	: -20°C to +40°C	Starting method	: Direct On Line
Altitude	: 1000 m.a.s.l.	Approx. weight ²	: 89.7 lb
Protection degree	: IP55	Moment of inertia (J)	: 0.4017 sq.ft.lb
Design	: B		
Output [HP]	3	3	3
Poles	4	4	4
Frequency [Hz]	60	50	50
Rated voltage [V]	230/460	190/380	220/415
Rated current [A]	7.62/3.81	9.08/4.54	8.30/4.40
L. R. Amperes [A]	67.1/33.5	60.8/30.4	62.3/33.0
LRC [A]	8.8x(Code K)	6.7x(Code H)	7.5x(Code J)
No load current [A]	4.00/2.00	3.95/1.97	3.99/2.11
Rated speed [RPM]	1765	1455	1460
Slip [%]	1.94	3.00	2.67
Rated torque [ft.lb]	8.93	10.8	10.8
Locked rotor torque [%]	220	170	200
Breakdown torque [%]	300	260	290
Service factor	1.15	1.15	1.15
Temperature rise	80 K	80 K	80 K
Locked rotor time	32s (cold) 18s (hot)	0s (cold) 0s (hot)	0s (cold) 0s (hot)
Noise level ²	56.0 dB(A)	53.0 dB(A)	53.0 dB(A)
Efficiency (%)	25%	86.4	87.8
	50%	87.5	87.2
	75%	88.5	87.9
	100%	89.5	87.0
Power Factor	25%	0.36	0.39
	50%	0.61	0.65
	75%	0.74	0.77
	100%	0.81	0.83
Bearing type	: <u>Drive end</u> 6207 ZZ <u>Non drive end</u> 6205 ZZ	Foundation loads	
Sealing	: V'Ring Without Bearing Seal	Max. traction	: 155 lb
		Max. compression	: 245 lb
Lubrication interval	: -		
Lubricant amount	: -		
Lubricant type	: Mobil Polyrex EM		
Notes USABLE @208V 8.43A SF 1.00 SFA 8.43A			
This revision replaces and cancel the previous one, which must be eliminated. (1) Looking the motor from the shaft end. (2) Measured at 1m and with tolerance of +3dB(A). (3) Approximate weight subject to changes after manufacturing process. (4) At 100% of full load.		These are average values based on tests with sinusoidal power supply, subject to the tolerances stipulated in NEMA MG-1.	
Rev.	Changes Summary	Performed	Checked
			Date
Performed by			
Checked by			Page
Date	14/04/2022		Revision
			1 / 16

TORQUE AND CURRENT VS SPEED CURVE

Three Phase Induction Motor - Squirrel Cage



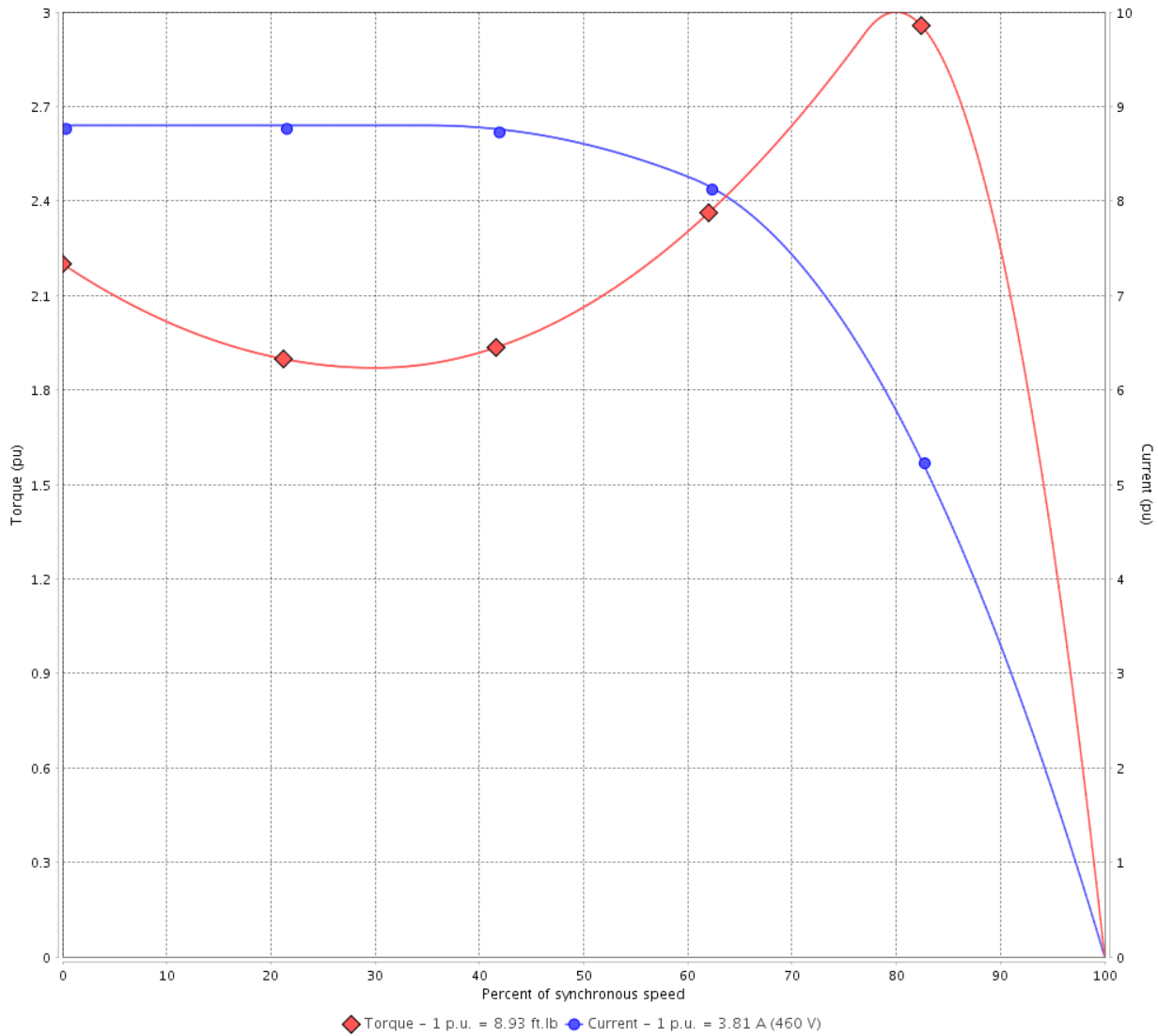
Customer :

Product line : JM Pump NEMA Premium
Efficiency Three-Phase

Product code : 13443988

Catalog # : 00318ET3E182JMV-S

TORQUE AND CURRENT VS SPEED CURVE



Performance : 230/460 V 60 Hz 4P

Rated current : 7.62/3.81 A
LRC : 8.8
Rated torque : 8.93 ft.lb
Locked rotor torque : 220 %
Breakdown torque : 300 %
Rated speed : 1765 rpm

Moment of inertia (J) : 0.4017 sq.ft.lb
Duty cycle : Cont.(S1)
Insulation class : F
Service factor : 1.15
Temperature rise : 80 K
Design : B

Locked rotor time : 32s (cold) 18s (hot)

Rev.	Changes Summary	Performed	Checked	Date
Performed by			Page 2 / 16	Revision
Checked by				
Date	14/04/2022			

TORQUE AND CURRENT VS SPEED CURVE



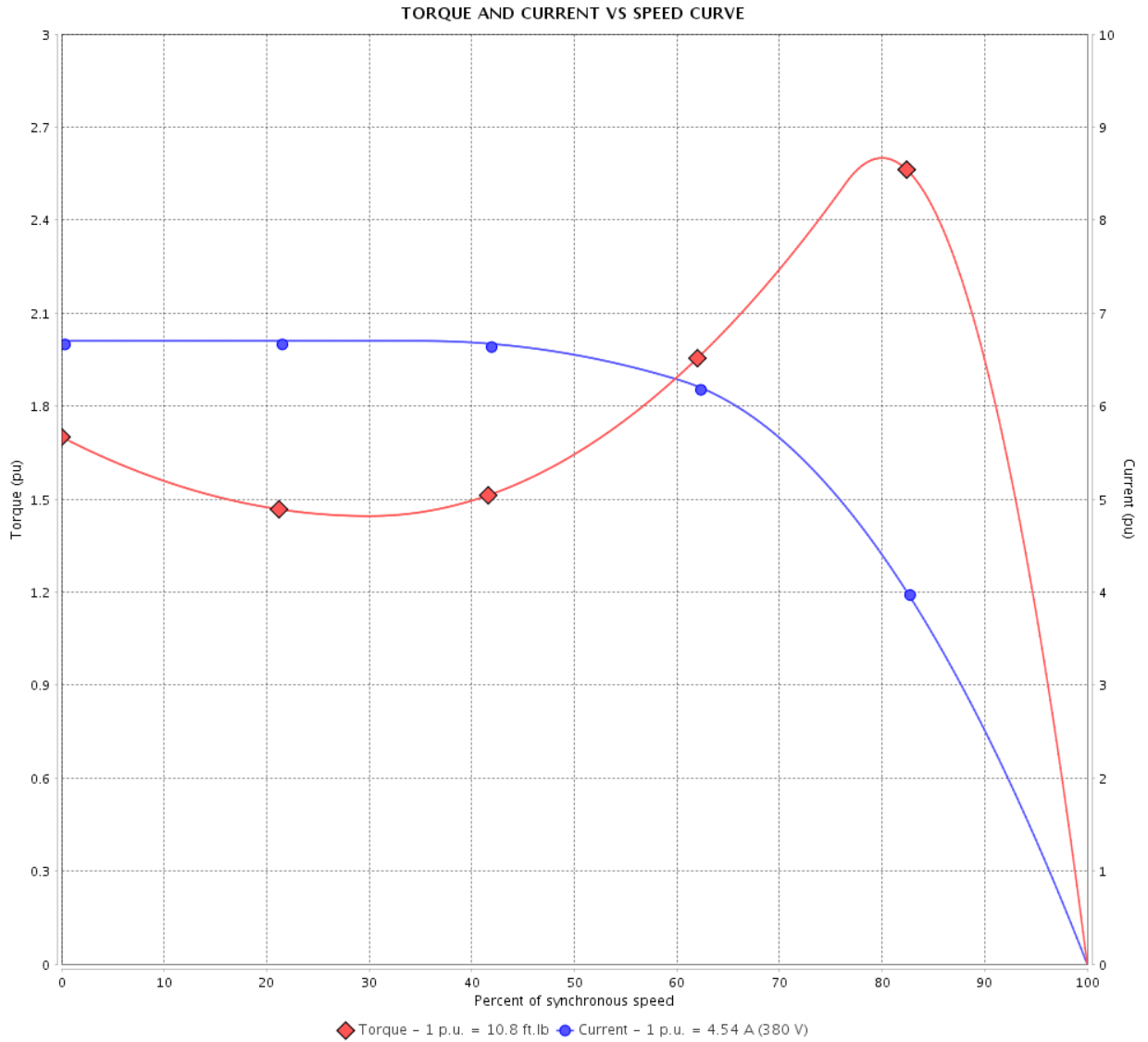
Three Phase Induction Motor - Squirrel Cage

Customer :

Product line : JM Pump NEMA Premium Efficiency Three-Phase

Product code : 13443988

Catalog # : 00318ET3E182JMV-S



Performance : 190/380 V 50 Hz 4P

Rated current : 9.08/4.54 A
 LRC : 6.7
 Rated torque : 10.8 ft.lb
 Locked rotor torque : 170 %
 Breakdown torque : 260 %
 Rated speed : 1455 rpm

Moment of inertia (J) : 0.4017 sq.ft.lb
 Duty cycle : Cont.(S1)
 Insulation class : F
 Service factor : 1.15
 Temperature rise : 80 K
 Design : B

Locked rotor time : 0s (cold) 0s (hot)

Rev.	Changes Summary	Performed	Checked	Date
Performed by			Page 3 / 16	Revision
Checked by				
Date	14/04/2022			

TORQUE AND CURRENT VS SPEED CURVE

Three Phase Induction Motor - Squirrel Cage



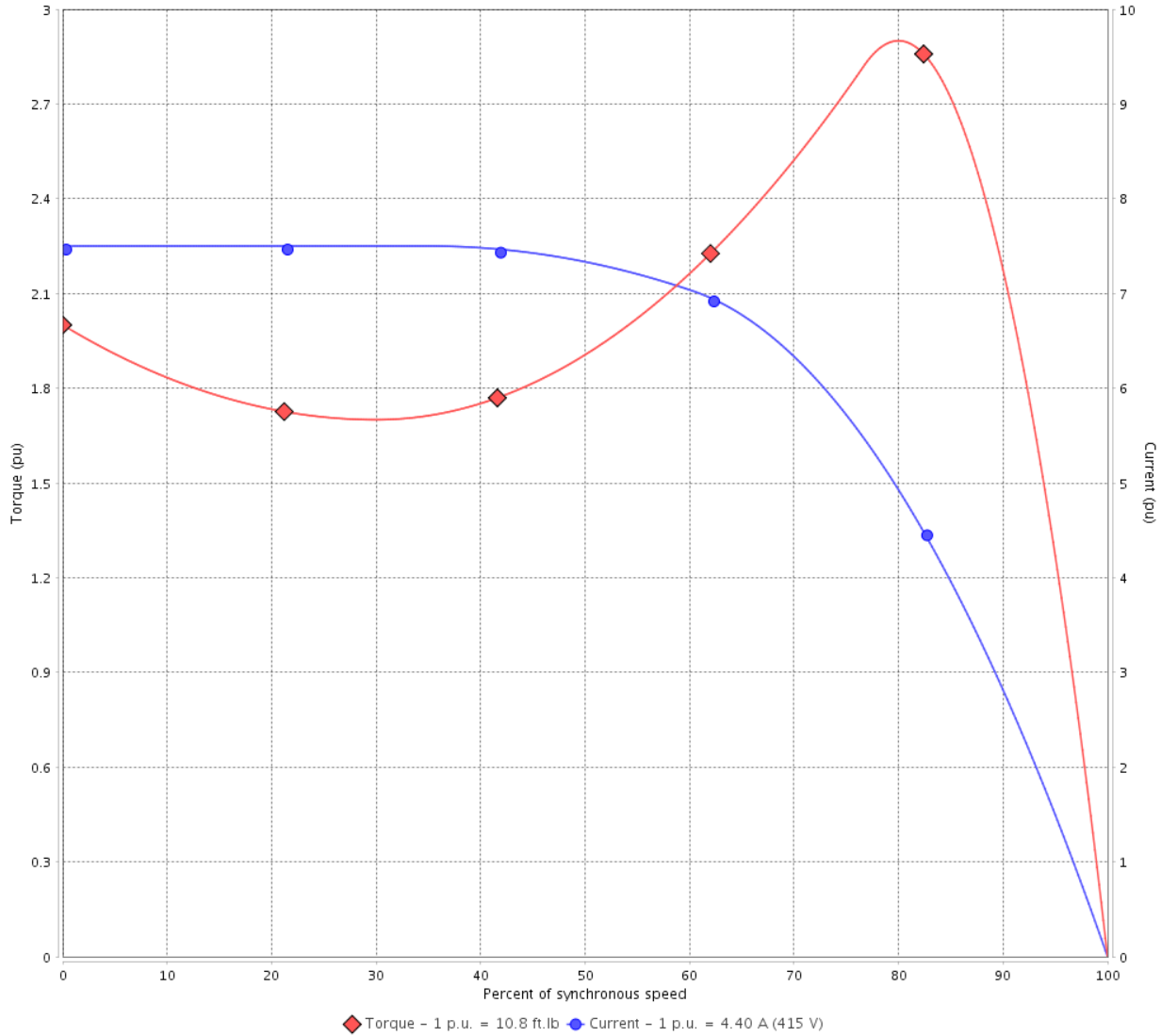
Customer :

Product line : JM Pump NEMA Premium
Efficiency Three-Phase

Product code : 13443988

Catalog # : 00318ET3E182JMV-S

TORQUE AND CURRENT VS SPEED CURVE



Performance : 220/415 V 50 Hz 4P

Rated current : 8.30/4.40 A
LRC : 7.5
Rated torque : 10.8 ft.lb
Locked rotor torque : 200 %
Breakdown torque : 290 %
Rated speed : 1460 rpm

Moment of inertia (J) : 0.4017 sq.ft.lb
Duty cycle : Cont.(S1)
Insulation class : F
Service factor : 1.15
Temperature rise : 80 K
Design : B

Locked rotor time : 0s (cold) 0s (hot)

Rev.	Changes Summary	Performed	Checked	Date
Performed by			Page 4 / 16	Revision
Checked by				
Date	14/04/2022			

LOAD PERFORMANCE CURVE

Three Phase Induction Motor - Squirrel Cage

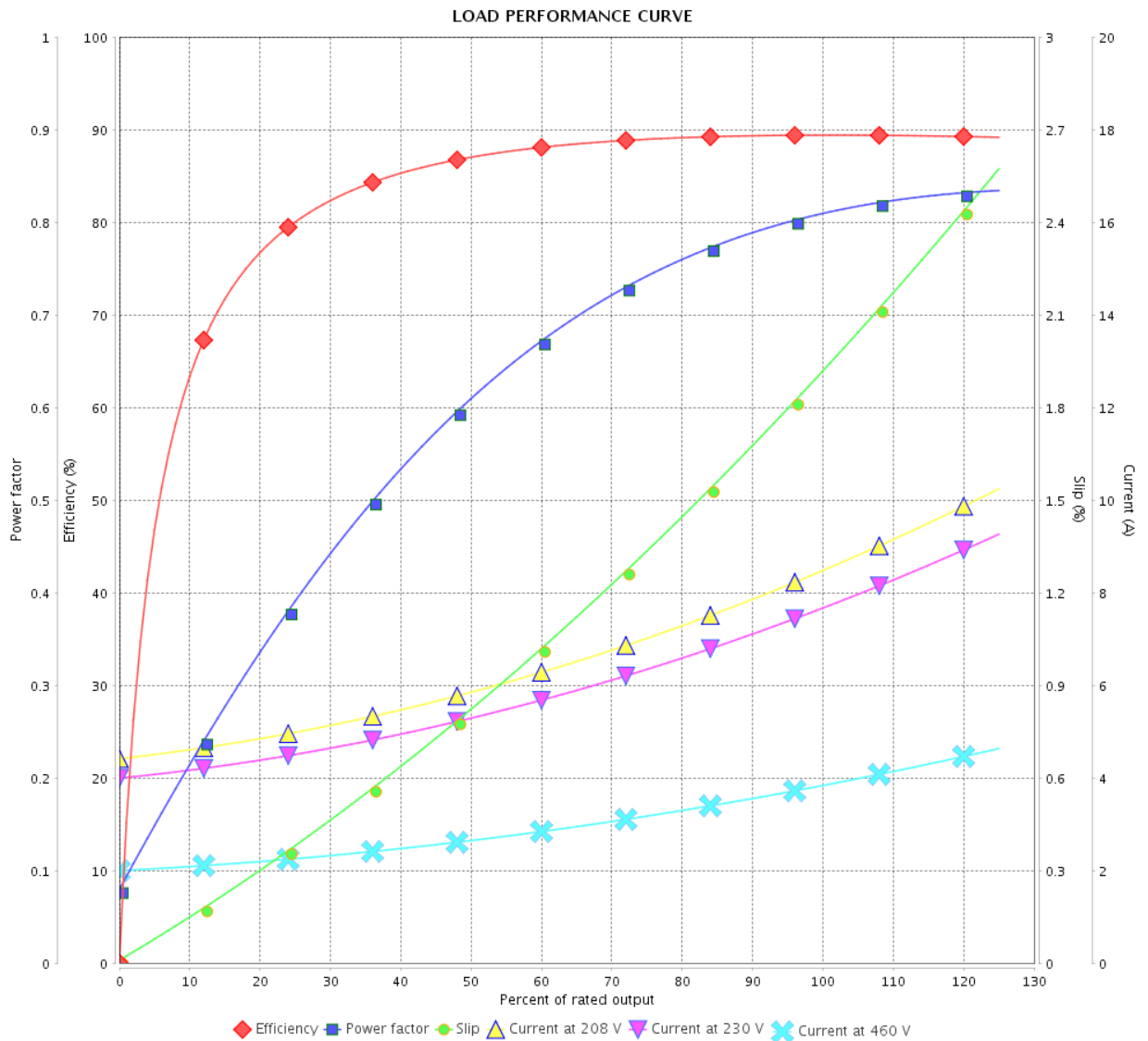


Customer :

Product line : JM Pump NEMA Premium Efficiency Three-Phase

Product code : 13443988

Catalog # : 00318ET3E182JMV-S



Performance : 230/460 V 60 Hz 4P

Rated current : 7.62/3.81 A
 LRC : 8.8
 Rated torque : 8.93 ft.lb
 Locked rotor torque : 220 %
 Breakdown torque : 300 %
 Rated speed : 1765 rpm

Moment of inertia (J) : 0.4017 sq.ft.lb
 Duty cycle : Cont.(S1)
 Insulation class : F
 Service factor : 1.15
 Temperature rise : 80 K
 Design : B

Rev.	Changes Summary	Performed	Checked	Date
Performed by			Page	Revision
Checked by				
Date				

LOAD PERFORMANCE CURVE

Three Phase Induction Motor - Squirrel Cage



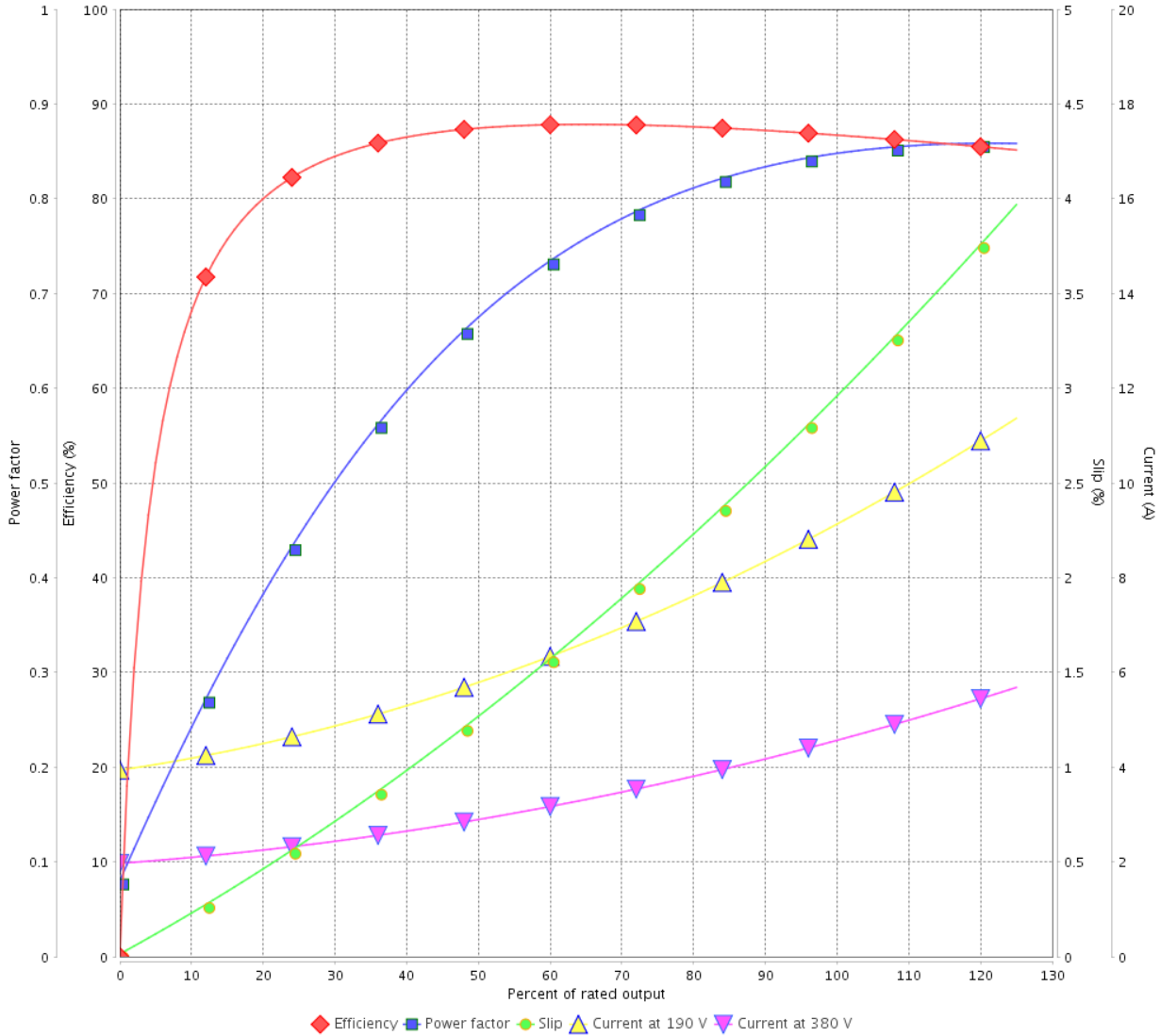
Customer :

Product line : JM Pump NEMA Premium
Efficiency Three-Phase

Product code : 13443988

Catalog # : 00318ET3E182JMV-S

LOAD PERFORMANCE CURVE



Performance : 190/380 V 50 Hz 4P

Rated current : 9.08/4.54 A
 LRC : 6.7
 Rated torque : 10.8 ft.lb
 Locked rotor torque : 170 %
 Breakdown torque : 260 %
 Rated speed : 1455 rpm

Moment of inertia (J) : 0.4017 sq.ft.lb
 Duty cycle : Cont.(S1)
 Insulation class : F
 Service factor : 1.15
 Temperature rise : 80 K
 Design : B

Rev.	Changes Summary	Performed	Checked	Date
Performed by			Page	Revision
Checked by			6 / 16	
Date	14/04/2022			

LOAD PERFORMANCE CURVE

Three Phase Induction Motor - Squirrel Cage

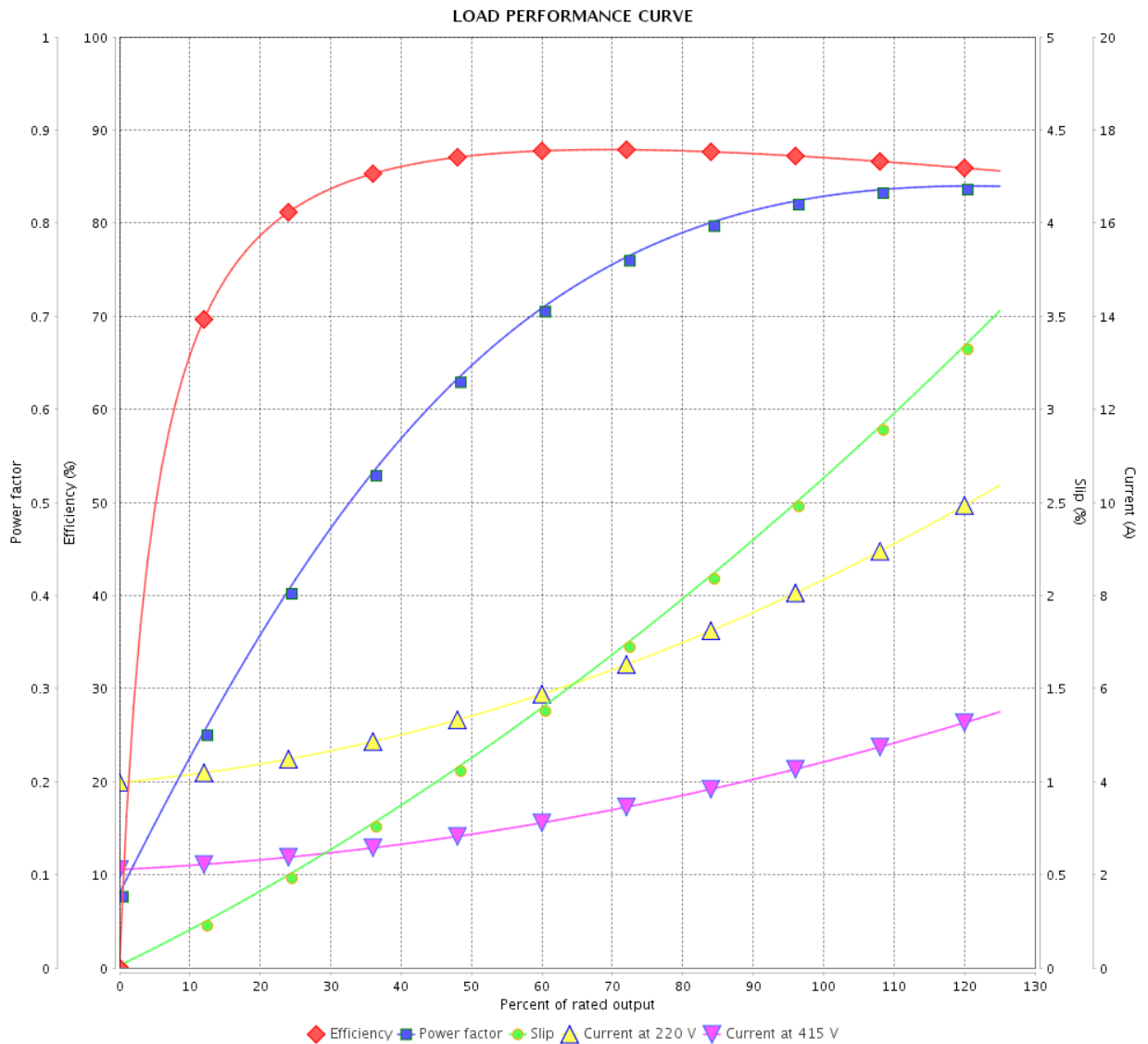


Customer :

Product line : JM Pump NEMA Premium
Efficiency Three-Phase

Product code : 13443988

Catalog # : 00318ET3E182JMV-S



Performance : 220/415 V 50 Hz 4P

Rated current : 8.30/4.40 A
 LRC : 7.5
 Rated torque : 10.8 ft.lb
 Locked rotor torque : 200 %
 Breakdown torque : 290 %
 Rated speed : 1460 rpm

Moment of inertia (J) : 0.4017 sq.ft.lb
 Duty cycle : Cont.(S1)
 Insulation class : F
 Service factor : 1.15
 Temperature rise : 80 K
 Design : B

Rev.	Changes Summary	Performed	Checked	Date
Performed by			Page	Revision
Checked by				
Date				

THERMAL LIMIT CURVE



Three Phase Induction Motor - Squirrel Cage

Customer :

Product line : JM Pump NEMA Premium
Efficiency Three-Phase

Product code : 13443988

Catalog # : 00318ET3E182JMV-S

Performance : 230/460 V 60 Hz 4P

Rated current : 7.62/3.81 A
LRC : 8.8
Rated torque : 8.93 ft.lb
Locked rotor torque : 220 %
Breakdown torque : 300 %
Rated speed : 1765 rpm

Moment of inertia (J) : 0.4017 sq.ft.lb
Duty cycle : Cont.(S1)
Insulation class : F
Service factor : 1.15
Temperature rise : 80 K
Design : B

Heating constant

Cooling constant

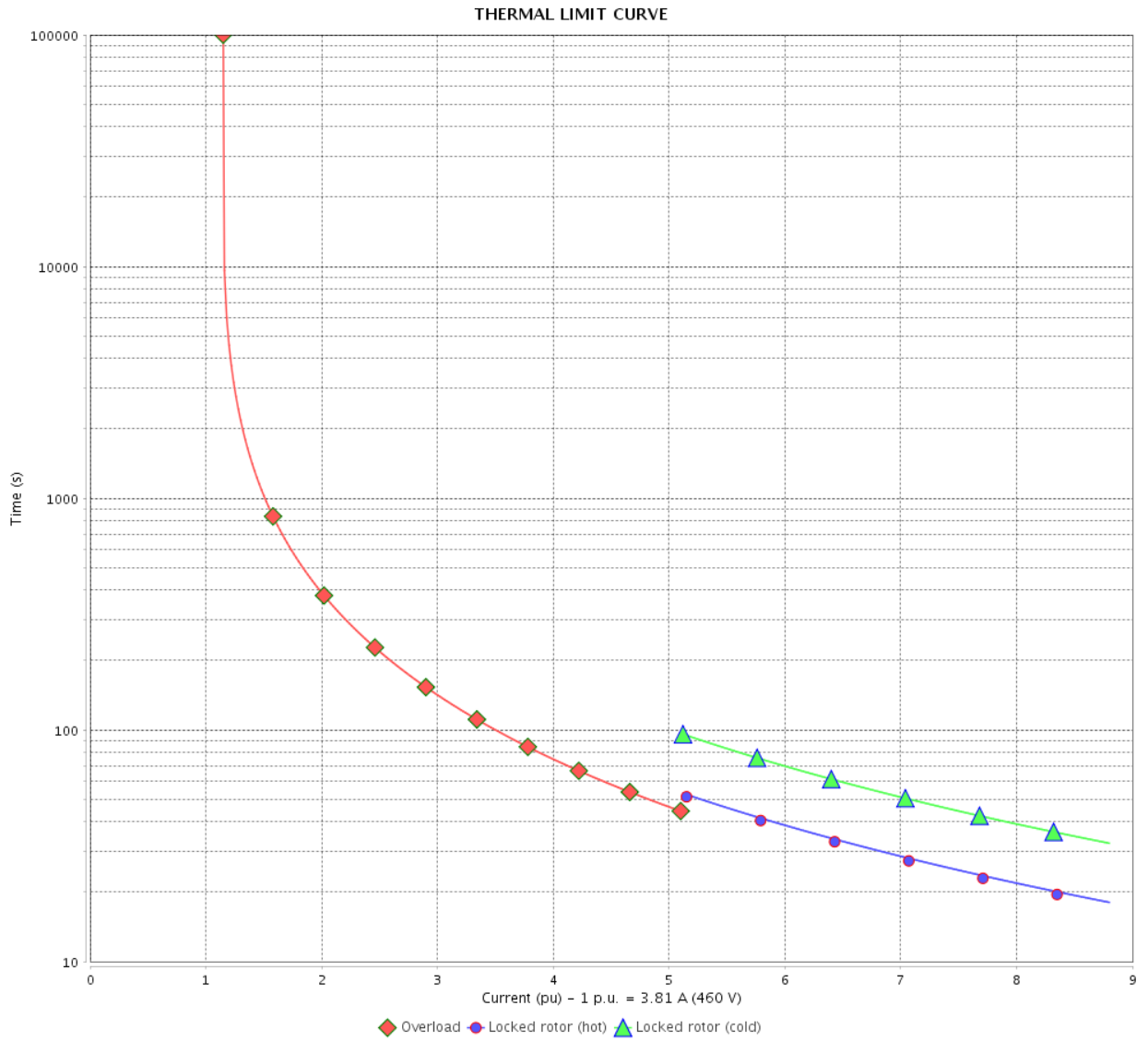
Rev.	Changes Summary	Performed	Checked	Date
Performed by				
Checked by			Page	Revision
Date	14/04/2022		8 / 16	

THERMAL LIMIT CURVE

Three Phase Induction Motor - Squirrel Cage



Customer : _____



Rev.	Changes Summary	Performed	Checked	Date
Performed by				
Checked by				
Date				
		Page	Revision	
		9 / 16		

THERMAL LIMIT CURVE



Three Phase Induction Motor - Squirrel Cage

Customer :

Product line : JM Pump NEMA Premium
Efficiency Three-Phase

Product code : 13443988

Catalog # : 00318ET3E182JMV-S

Performance : 190/380 V 50 Hz 4P

Rated current : 9.08/4.54 A
LRC : 6.7
Rated torque : 10.8 ft.lb
Locked rotor torque : 170 %
Breakdown torque : 260 %
Rated speed : 1455 rpm

Moment of inertia (J) : 0.4017 sq.ft.lb
Duty cycle : Cont.(S1)
Insulation class : F
Service factor : 1.15
Temperature rise : 80 K
Design : B

Heating constant

Cooling constant

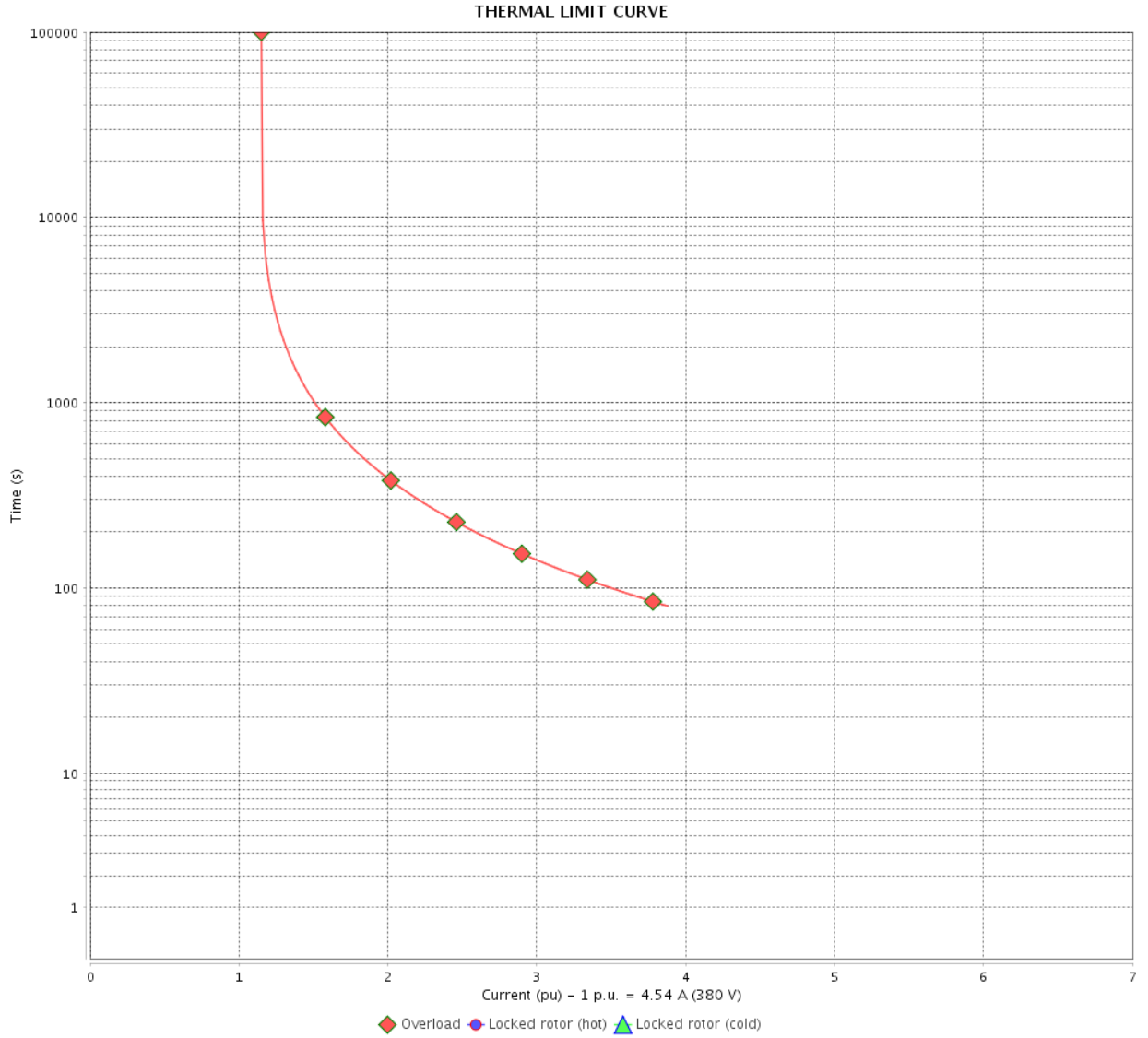
Rev.	Changes Summary	Performed	Checked	Date
Performed by				
Checked by			Page	Revision
Date	14/04/2022		10 / 16	

THERMAL LIMIT CURVE

Three Phase Induction Motor - Squirrel Cage



Customer : _____



Rev.	Changes Summary	Performed	Checked	Date
Performed by		Page		Revision
Checked by		11 / 16		
Date		14/04/2022		

THERMAL LIMIT CURVE



Three Phase Induction Motor - Squirrel Cage

Customer :

Product line : JM Pump NEMA Premium
Efficiency Three-Phase

Product code : 13443988

Catalog # : 00318ET3E182JMV-S

Performance : 220/415 V 50 Hz 4P

Rated current : 8.30/4.40 A
LRC : 7.5
Rated torque : 10.8 ft.lb
Locked rotor torque : 200 %
Breakdown torque : 290 %
Rated speed : 1460 rpm

Moment of inertia (J) : 0.4017 sq.ft.lb
Duty cycle : Cont.(S1)
Insulation class : F
Service factor : 1.15
Temperature rise : 80 K
Design : B

Heating constant

Cooling constant

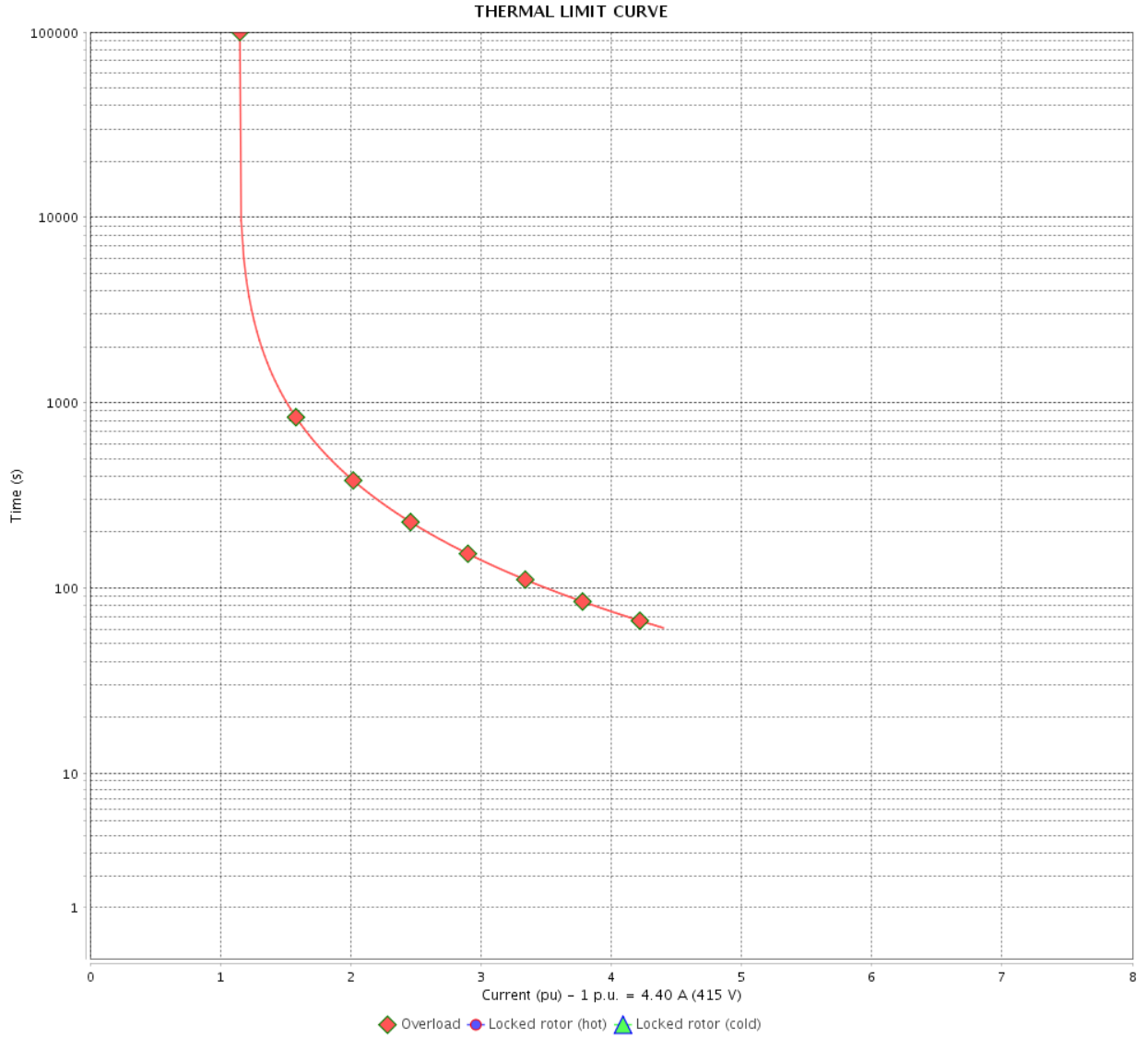
Rev.	Changes Summary	Performed	Checked	Date
Performed by				
Checked by			Page	Revision
Date	14/04/2022		12 / 16	

THERMAL LIMIT CURVE

Three Phase Induction Motor - Squirrel Cage



Customer : _____



Rev.	Changes Summary	Performed	Checked	Date
Performed by		Page		Revision
Checked by		13 / 16		
Date		14/04/2022		

VFD OPERATION CURVE

Three Phase Induction Motor - Squirrel Cage

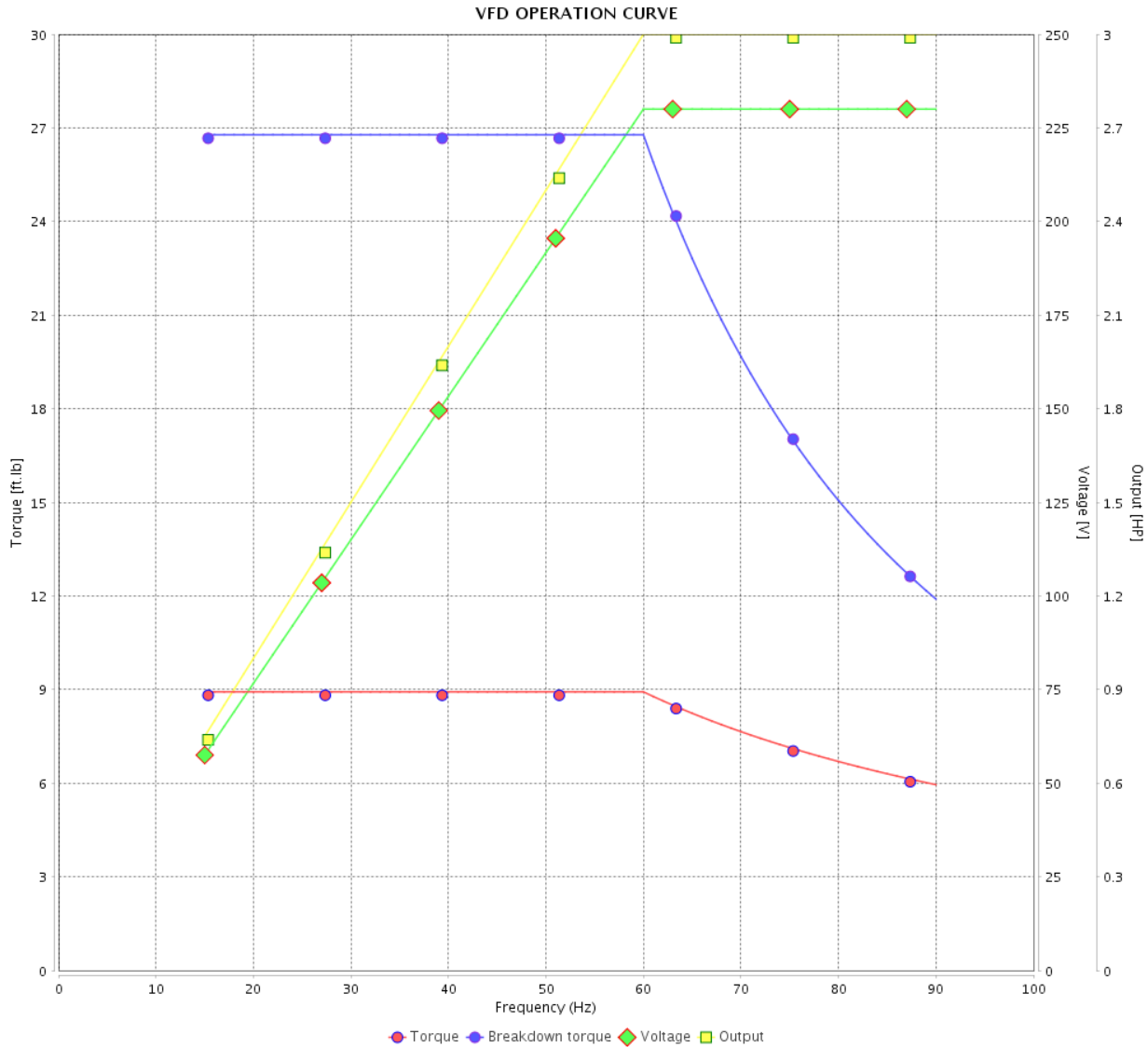


Customer :

Product line : JM Pump NEMA Premium Efficiency Three-Phase

Product code : 13443988

Catalog # : 00318ET3E182JMV-S



Performance : 230/460 V 60 Hz 4P

Rated current : 7.62/3.81 A
 LRC : 8.8
 Rated torque : 8.93 ft.lb
 Locked rotor torque : 220 %
 Breakdown torque : 300 %
 Rated speed : 1765 rpm

Moment of inertia (J) : 0.4017 sq.ft.lb
 Duty cycle : Cont.(S1)
 Insulation class : F
 Service factor : 1.15
 Temperature rise : 80 K
 Design : B

Rev.	Changes Summary	Performed	Checked	Date
Performed by			Page	Revision
Checked by				
Date				

VFD OPERATION CURVE

Three Phase Induction Motor - Squirrel Cage

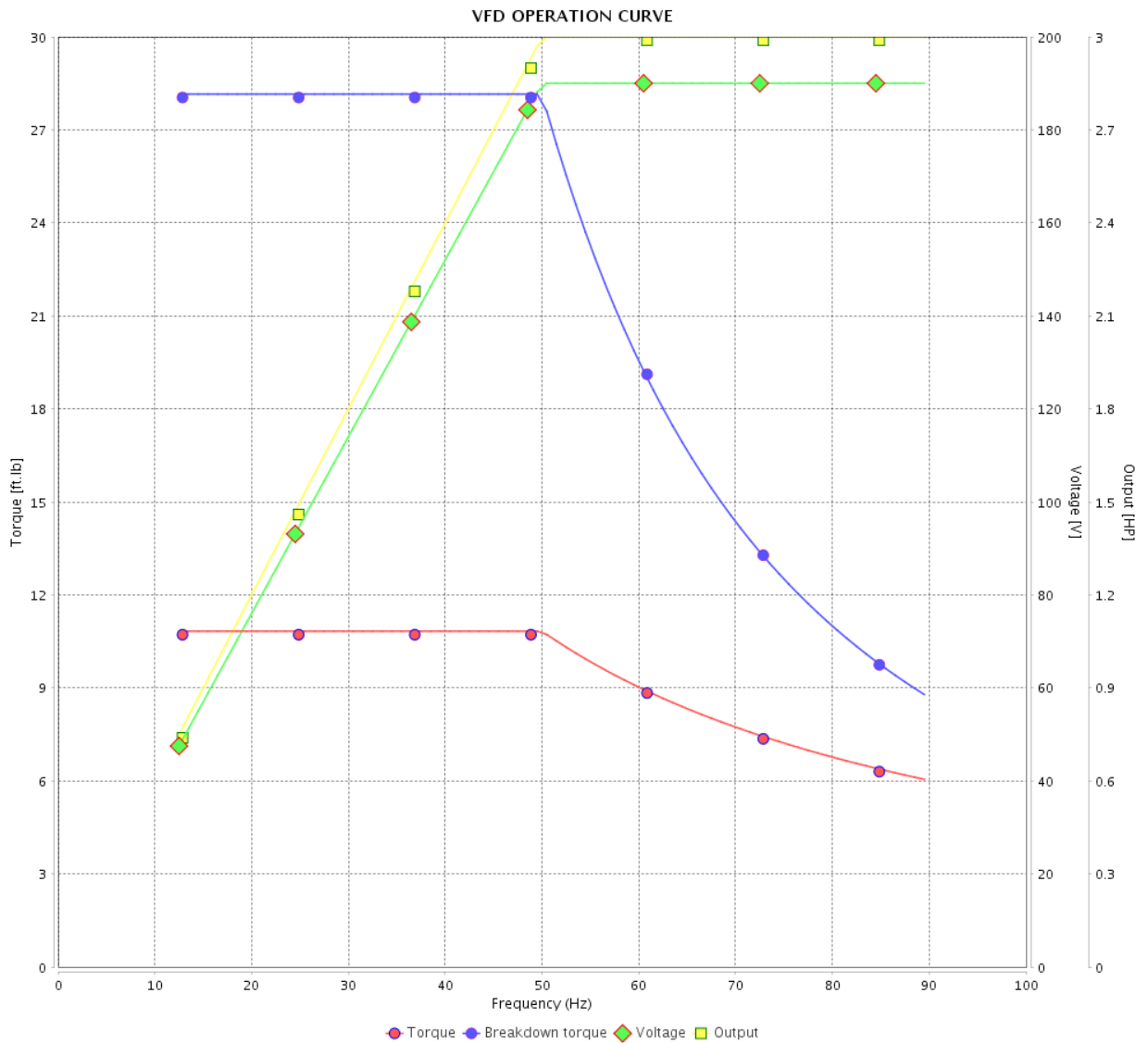


Customer :

Product line : JM Pump NEMA Premium Efficiency Three-Phase

Product code : 13443988

Catalog # : 00318ET3E182JMV-S



Performance : 190/380 V 50 Hz 4P

Rated current : 9.08/4.54 A
 LRC : 6.7
 Rated torque : 10.8 ft.lb
 Locked rotor torque : 170 %
 Breakdown torque : 260 %
 Rated speed : 1455 rpm

Moment of inertia (J) : 0.4017 sq.ft.lb
 Duty cycle : Cont.(S1)
 Insulation class : F
 Service factor : 1.15
 Temperature rise : 80 K
 Design : B

Rev.	Changes Summary	Performed	Checked	Date
Performed by				Page 15 / 16
Checked by				
Date	14/04/2022			

VFD OPERATION CURVE

Three Phase Induction Motor - Squirrel Cage

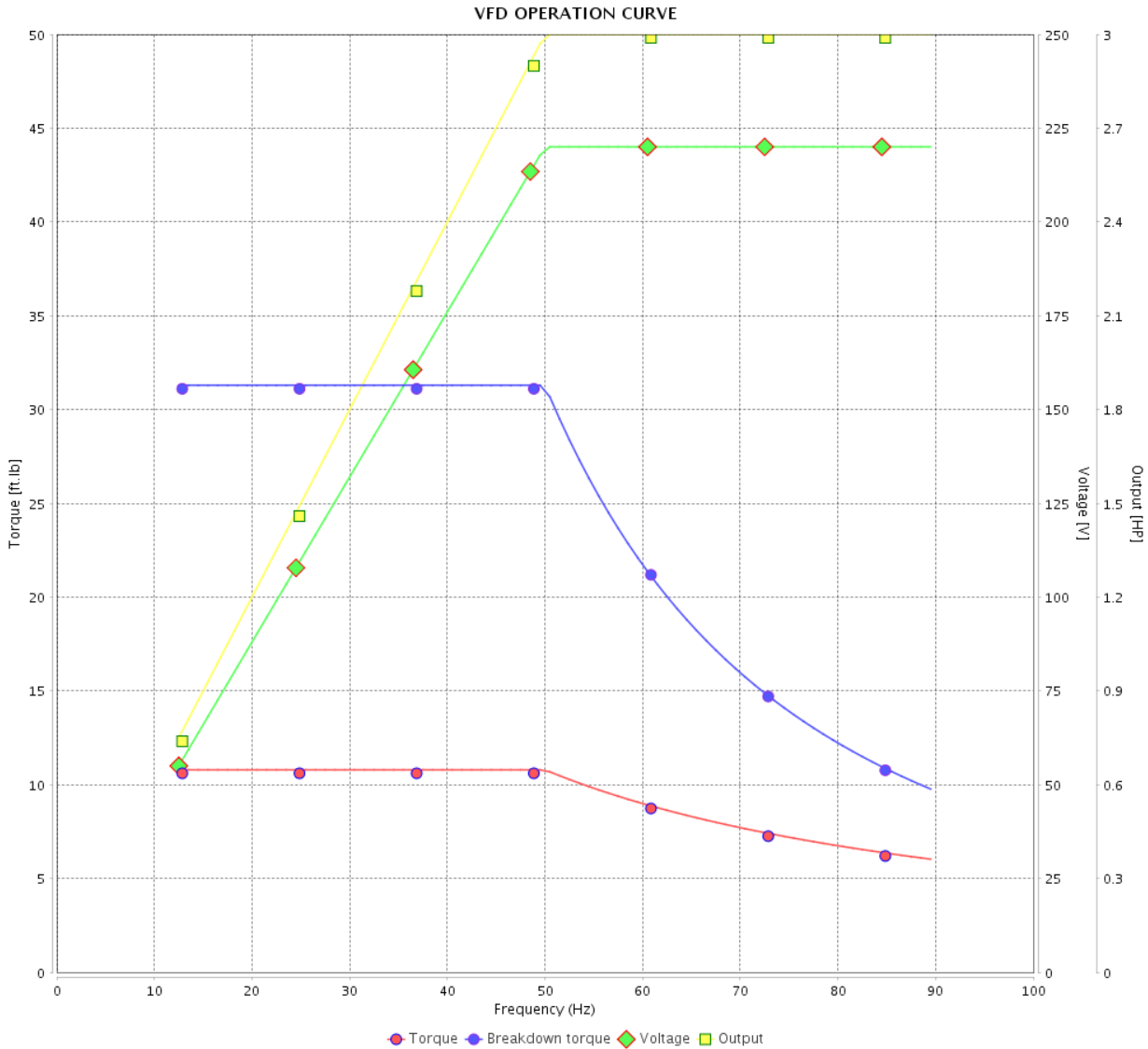


Customer :

Product line : JM Pump NEMA Premium Efficiency Three-Phase

Product code : 13443988

Catalog # : 00318ET3E182JMV-S



Performance : 220/415 V 50 Hz 4P

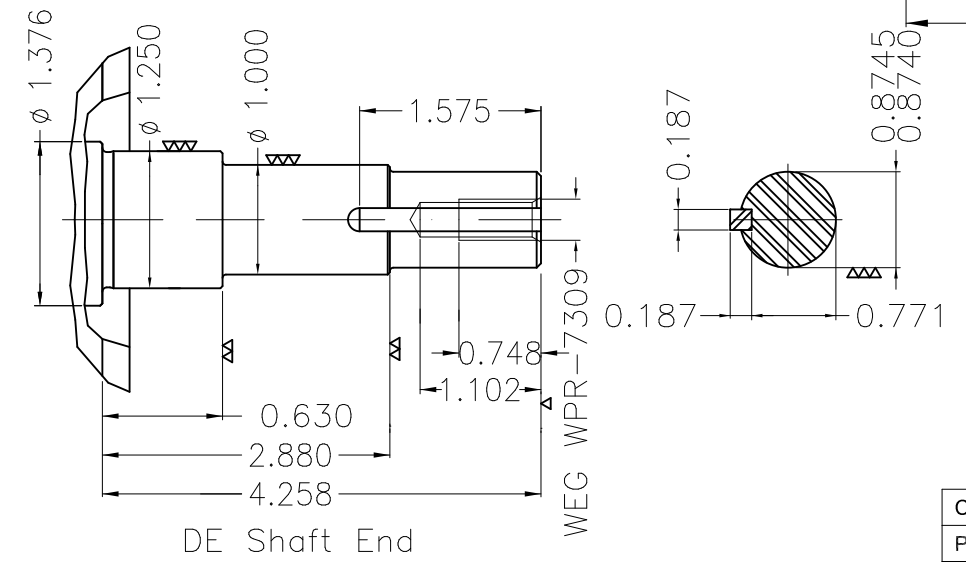
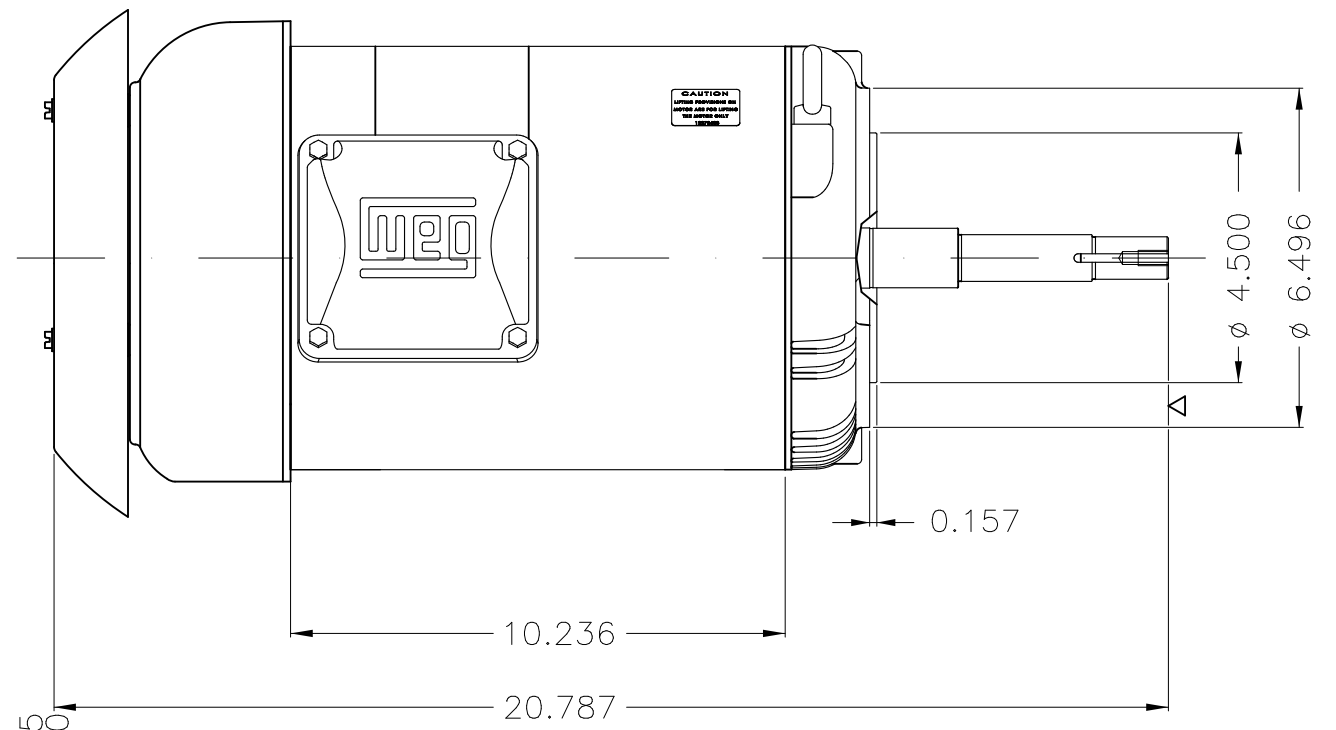
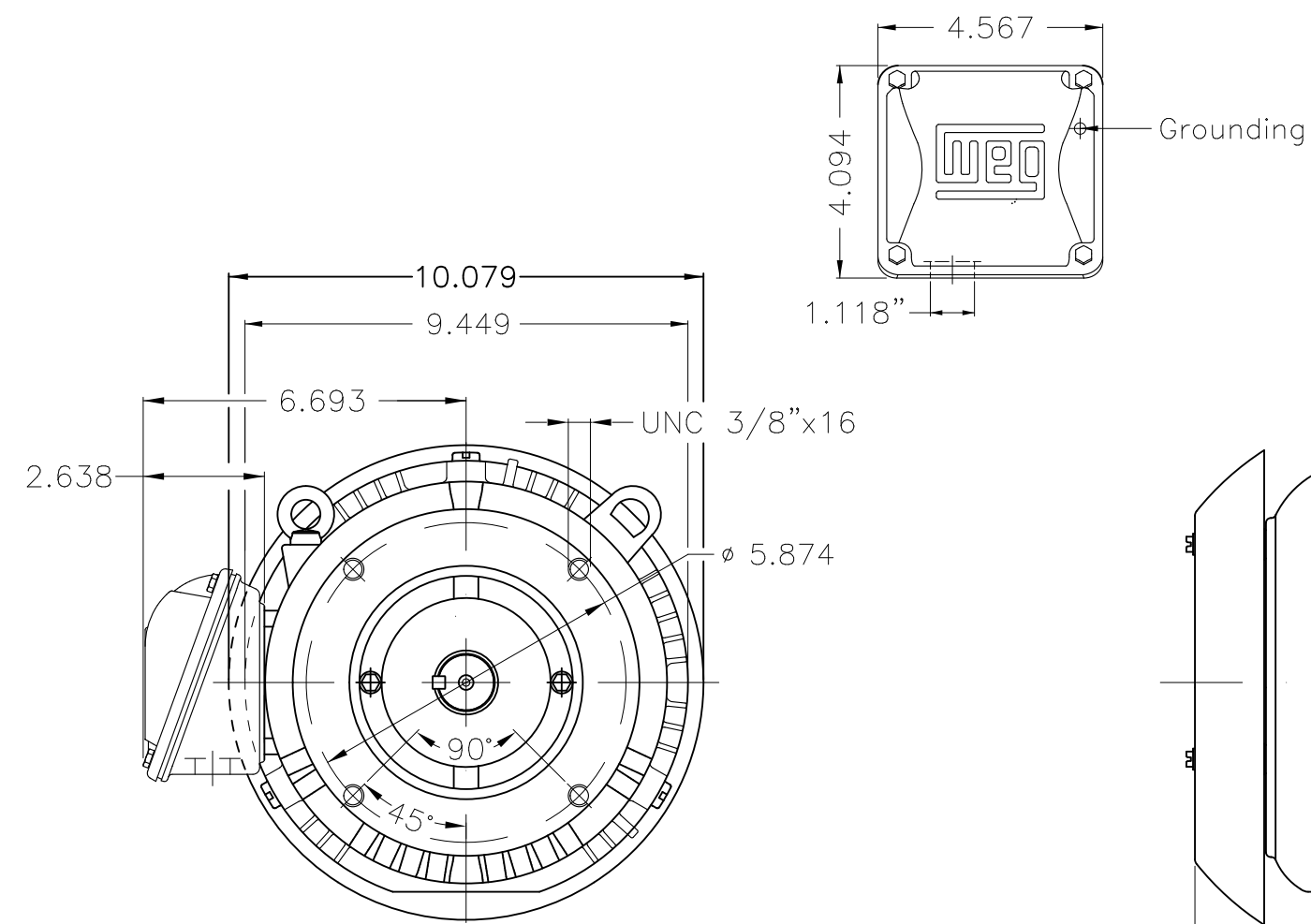
Rated current : 8.30/4.40 A
 LRC : 7.5
 Rated torque : 10.8 ft.lb
 Locked rotor torque : 200 %
 Breakdown torque : 290 %
 Rated speed : 1460 rpm

Moment of inertia (J) : 0.4017 sq.ft.lb
 Duty cycle : Cont.(S1)
 Insulation class : F
 Service factor : 1.15
 Temperature rise : 80 K
 Design : B

Rev.	Changes Summary	Performed	Checked	Date
Performed by			Page	Revision
Checked by				
Date				

1 2 3 4 5 6

A
B
C
D
E



EUNC 3/8"-16 WEG WPR-7309

DE Shaft End

Color Munsell N 1 matte black									
Painting plan 207N									
Mounting W-6/V18R(D)									
ECM	LOC	SUMMARY OF MODIFICATIONS			EXECUTED	CHECKED	RELEASED	DATE	VER
EXECUTED	PIRBUSER	THREE PH. MOTOR ROLLED STEEL CLOSE COUPLED PUMP JN TYPE PSEF 187							
CHECKED		FRAME 182/4JM IP55 TEFC							
RELEASED									
REL DT.		WMO	Jaragua do Sul	Product Engineering					

3 HP 04 Poles 60 Hz



NEMA
Premium



MADE IN MEXICO

MAT: 13443988 CC029A

W01.TE0IC0X0N

MODEL 00318ET3E182JMV-S

28ABR2021 S/N:

For 60Hz: Class I, Zone 2, IIC

Class I, Div.2, Gr. A,B,C,D - T3

Div 2 Inverter Duty (SF1.00)

CT 2:1/VT 1000:1

PH 3	Hz 60	HP 3.0
FR 182/4JM		KW 2.2
DUTY CONT.		V 230/460
ALT 1000 m.a.s.l.		A 7.62/3.81
INS CL F AT 80K	IP55	SFA 8.76/4.38
AMB 40°C	DES B	SF 1.15
ENCL TEFC	CODE K	PF 0.81
USABLE @ 208V 8.43A		RPM 1765
SF1.00		NEMA NOM. EFF 89.5%

ALTERNATE RATING: 3.0HP 50Hz 190-220/380-415V SF1.15
9.08-8.15/4.54-4.32A 1455RPM EFF 86.7% (IE3) IEC 60034-1

For safe area-inverter duty motor For 60Hz use on VPWM 1000:1 VT, 4:1 CT

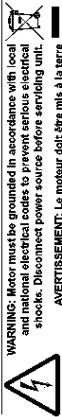
DE 6207-ZZ	ODE 6205-ZZ	MOBIL POLYREX EM
------------	-------------	------------------



T1-BLU T2-WHT
 T3-ORG T4-YEL
 T5-BLK T6-GRY
 T7-PNK T8-RED
 T9-BRK RED

INTERCHANGE ANY TWO LINE WIRES TO REVERSE THE ROTATION

WARNING: Motor must be grounded in accordance with local and national electrical codes to prevent serious electrical shocks. Disconnect power source before servicing unit.



AVERTISSEMENT: Le moteur doit être mis à la terre conformément aux codes électriques locaux et nationaux afin d'éviter tout choc électrique grave. Déconnectez l'alimentation avant l'entretien de la machine.

