

DATA SHEET

Three Phase Induction Motor - Squirrel Cage



Customer :		
Product line	: JP Pump NEMA Premium Efficiency Three-Phase	
Product code :	14329711	
Catalog # :	00318ET3E182JP-SG	
Frame	: 182/4JP	
Insulation class	: F	
Duty cycle	: Cont.(S1)	
Ambient temperature	: -20°C to +40°C	
Altitude	: 1000 m.a.s.l.	
Protection degree	: IP55	
Design	: B	
Cooling method	: IC411 - TEFC	
Mounting	: F-1	
Rotation ¹	: Both (CW and CCW)	
Starting method	: Direct On Line	
Approx. weight ²	: 80.3 lb	
Moment of inertia (J)	: 0.4017 sq.ft.lb	
Output [HP]	3	
Poles	4	
Frequency [Hz]	60	
Rated voltage [V]	230/460	
Rated current [A]	7.62/3.81	
L. R. Amperes [A]	67.1/33.5	
LRC [A]	8.8x(Code K)	
No load current [A]	4.00/2.00	
Rated speed [RPM]	1765	
Slip [%]	1.94	
Rated torque [ft.lb]	8.93	
Locked rotor torque [%]	220	
Breakdown torque [%]	300	
Service factor	1.15	
Temperature rise	80 K	
Locked rotor time	32s (cold) 18s (hot)	
Noise level ²	56.0 dB(A)	
Efficiency (%)	25%	86.4
	50%	87.5
	75%	88.5
	100%	89.5
Power Factor	25%	0.36
	50%	0.61
	75%	0.74
	100%	0.81
Bearing type	: <u>Drive end</u> 6207 ZZ <u>Non drive end</u> 6205 ZZ	
Sealing	: V'Ring Without Bearing Seal	
Lubrication interval	: -	
Lubricant amount	: -	
Lubricant type	: Mobil Polyrex EM	
Foundation loads	Max. traction : 160 lb	
	Max. compression : 240 lb	
Notes USABLE @208V 8.43A SF 1.00 SFA 8.43A		
This revision replaces and cancel the previous one, which must be eliminated. (1) Looking the motor from the shaft end. (2) Measured at 1m and with tolerance of +3dB(A). (3) Approximate weight subject to changes after manufacturing process. (4) At 100% of full load.		
These are average values based on tests with sinusoidal power supply, subject to the tolerances stipulated in NEMA MG-1.		
Rev.	Changes Summary	
Performed by	Performed	
Checked by	Checked	
Date	13/04/2022	
Page	1 / 16	
Revision		

TORQUE AND CURRENT VS SPEED CURVE

Three Phase Induction Motor - Squirrel Cage



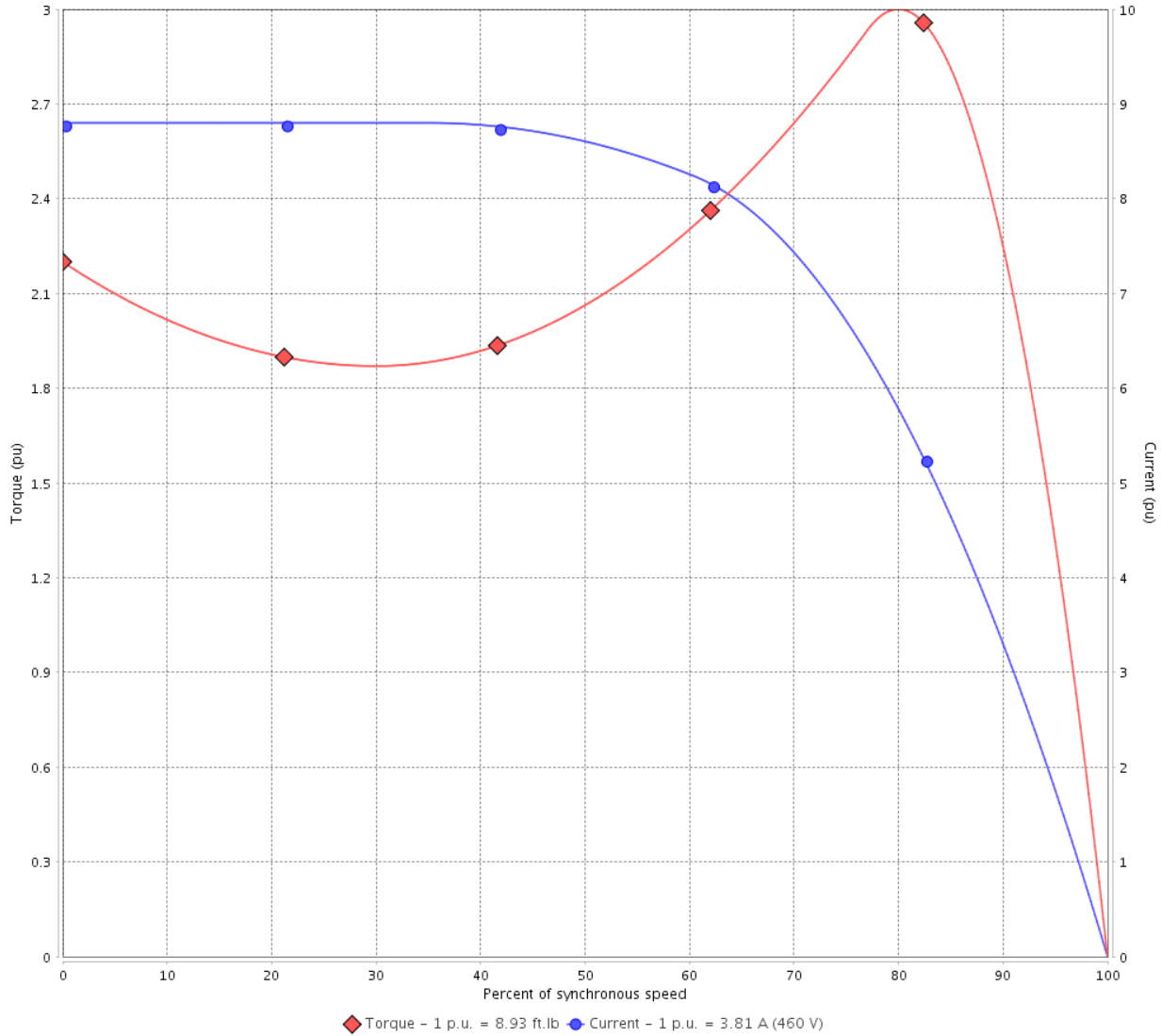
Customer :

Product line : JP Pump NEMA Premium
Efficiency Three-Phase

Product code : 14329711

Catalog # : 00318ET3E182JP-SG

TORQUE AND CURRENT VS SPEED CURVE



Performance : 230/460 V 60 Hz 4P

Rated current	: 7.62/3.81 A	Moment of inertia (J)	: 0.4017 sq.ft.lb
LRC	: 8.8	Duty cycle	: Cont.(S1)
Rated torque	: 8.93 ft.lb	Insulation class	: F
Locked rotor torque	: 220 %	Service factor	: 1.15
Breakdown torque	: 300 %	Temperature rise	: 80 K
Rated speed	: 1765 rpm	Design	: B

Locked rotor time : 32s (cold) 18s (hot)

Rev.	Changes Summary	Performed	Checked	Date
Performed by			Page 2 / 16	Revision
Checked by				
Date	13/04/2022			

TORQUE AND CURRENT VS SPEED CURVE



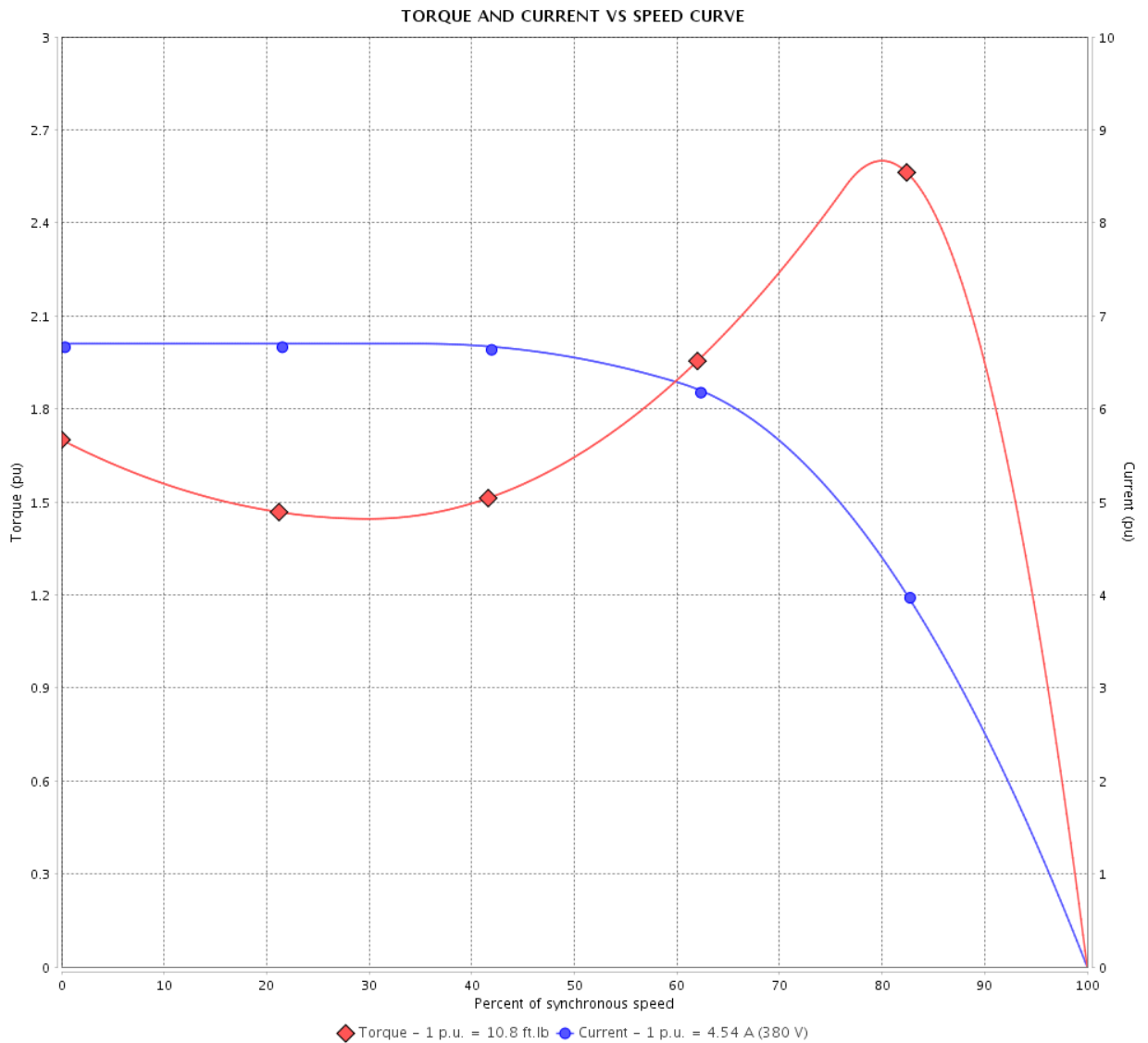
Three Phase Induction Motor - Squirrel Cage

Customer :

Product line : JP Pump NEMA Premium Efficiency Three-Phase

Product code : 14329711

Catalog # : 00318ET3E182JP-SG



Performance : 190/380 V 50 Hz 4P

Rated current : 9.08/4.54 A
 LRC : 6.7
 Rated torque : 10.8 ft.lb
 Locked rotor torque : 170 %
 Breakdown torque : 260 %
 Rated speed : 1455 rpm

Moment of inertia (J) : 0.4017 sq.ft.lb
 Duty cycle : Cont.(S1)
 Insulation class : F
 Service factor : 1.15
 Temperature rise : 80 K
 Design : B

Locked rotor time : 0s (cold) 0s (hot)

Rev.	Changes Summary	Performed	Checked	Date
Performed by			Page 3 / 16	Revision
Checked by				
Date	13/04/2022			

TORQUE AND CURRENT VS SPEED CURVE

Three Phase Induction Motor - Squirrel Cage



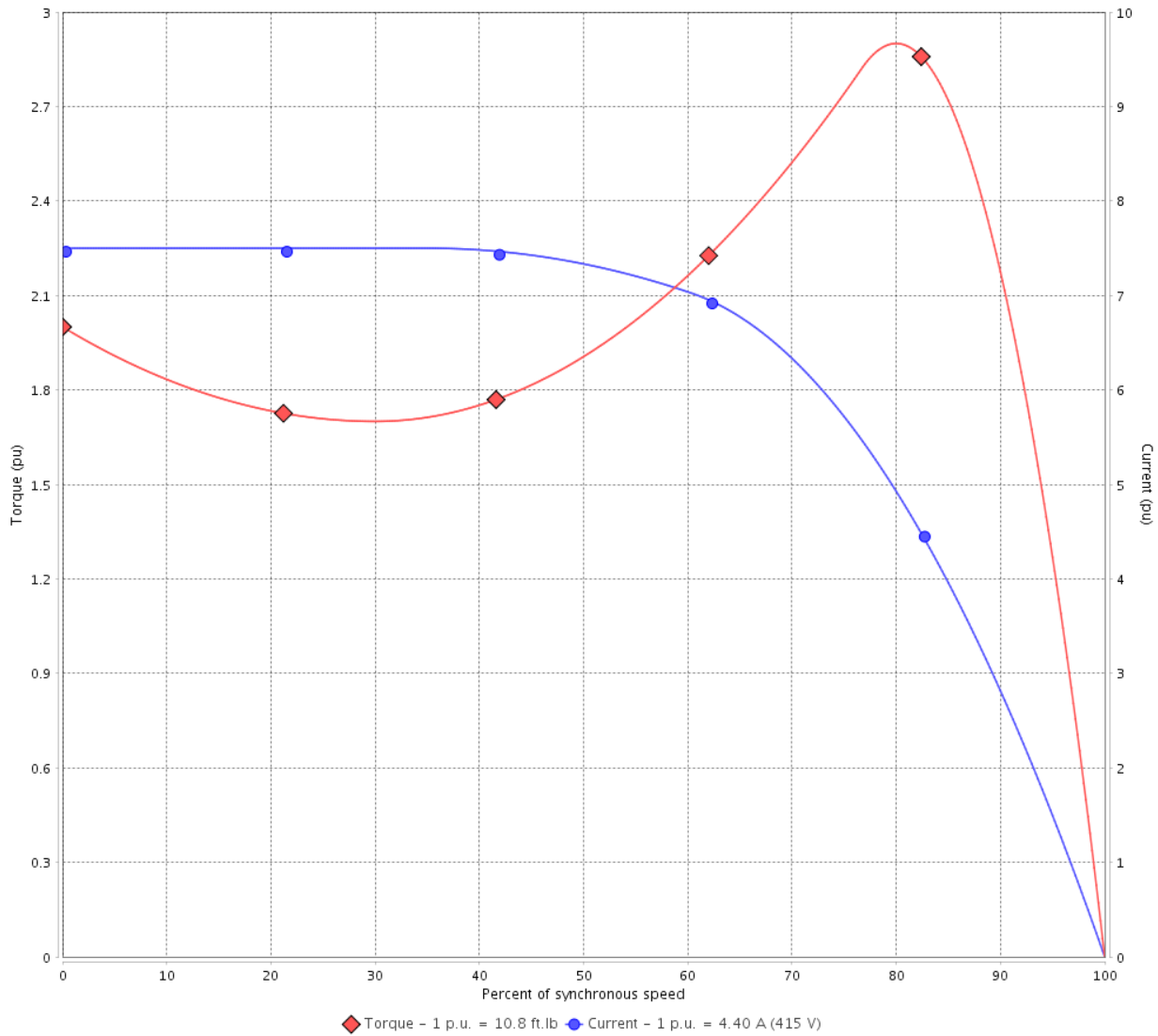
Customer :

Product line : JP Pump NEMA Premium
Efficiency Three-Phase

Product code : 14329711

Catalog # : 00318ET3E182JP-SG

TORQUE AND CURRENT VS SPEED CURVE



Performance : 220/415 V 50 Hz 4P

Rated current : 8.30/4.40 A
LRC : 7.5
Rated torque : 10.8 ft.lb
Locked rotor torque : 200 %
Breakdown torque : 290 %
Rated speed : 1460 rpm

Moment of inertia (J) : 0.4017 sq.ft.lb
Duty cycle : Cont.(S1)
Insulation class : F
Service factor : 1.15
Temperature rise : 80 K
Design : B

Locked rotor time : 0s (cold) 0s (hot)

Rev.	Changes Summary	Performed	Checked	Date
Performed by			Page 4 / 16	Revision
Checked by				
Date	13/04/2022			

LOAD PERFORMANCE CURVE

Three Phase Induction Motor - Squirrel Cage

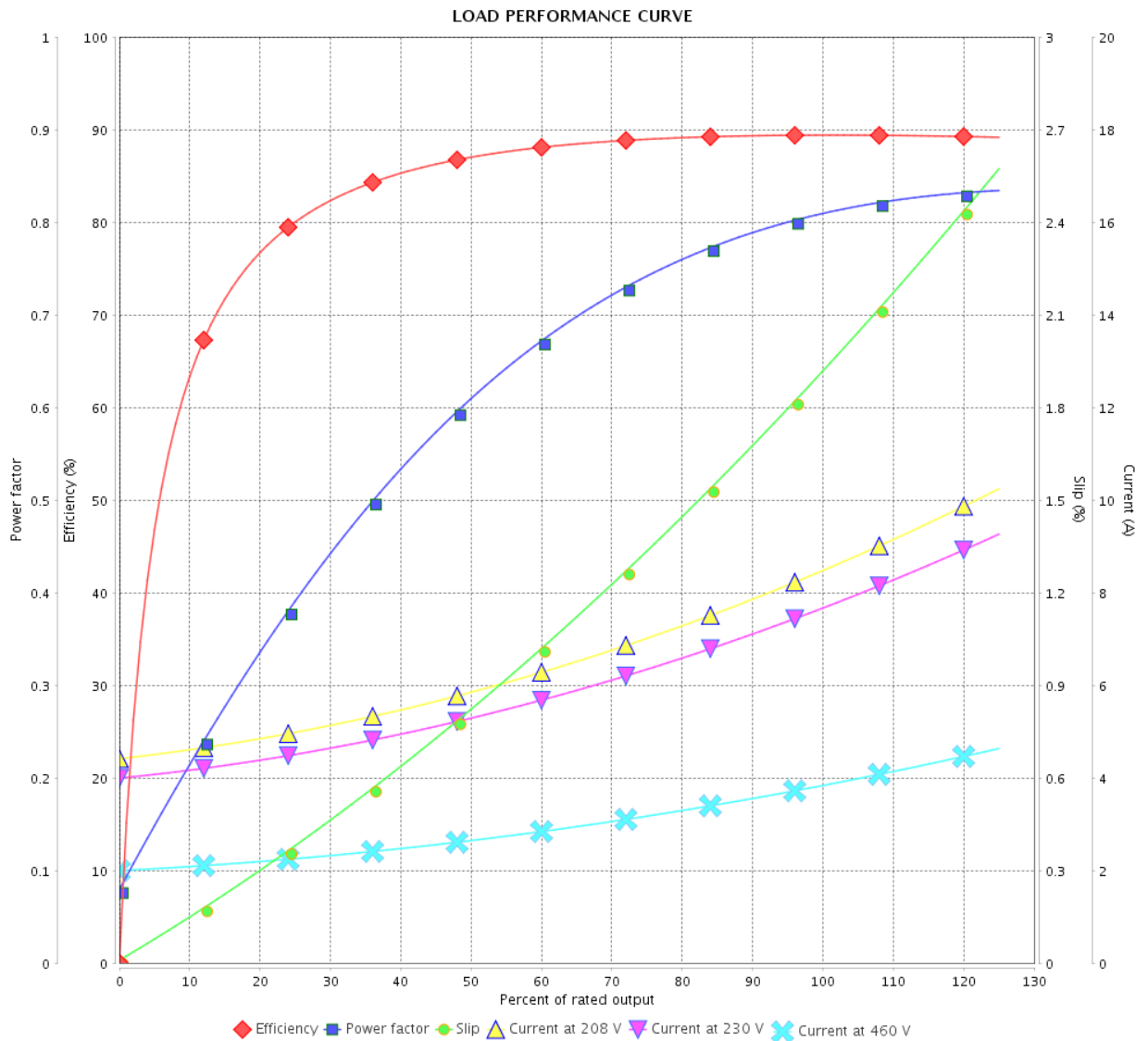


Customer :

Product line : JP Pump NEMA Premium
Efficiency Three-Phase

Product code : 14329711

Catalog # : 00318ET3E182JP-SG



Performance : 230/460 V 60 Hz 4P

Rated current : 7.62/3.81 A
 LRC : 8.8
 Rated torque : 8.93 ft.lb
 Locked rotor torque : 220 %
 Breakdown torque : 300 %
 Rated speed : 1765 rpm

Moment of inertia (J) : 0.4017 sq.ft.lb
 Duty cycle : Cont.(S1)
 Insulation class : F
 Service factor : 1.15
 Temperature rise : 80 K
 Design : B

Rev.	Changes Summary	Performed	Checked	Date
Performed by				
Checked by			Page	Revision
Date	13/04/2022		5 / 16	

LOAD PERFORMANCE CURVE

Three Phase Induction Motor - Squirrel Cage



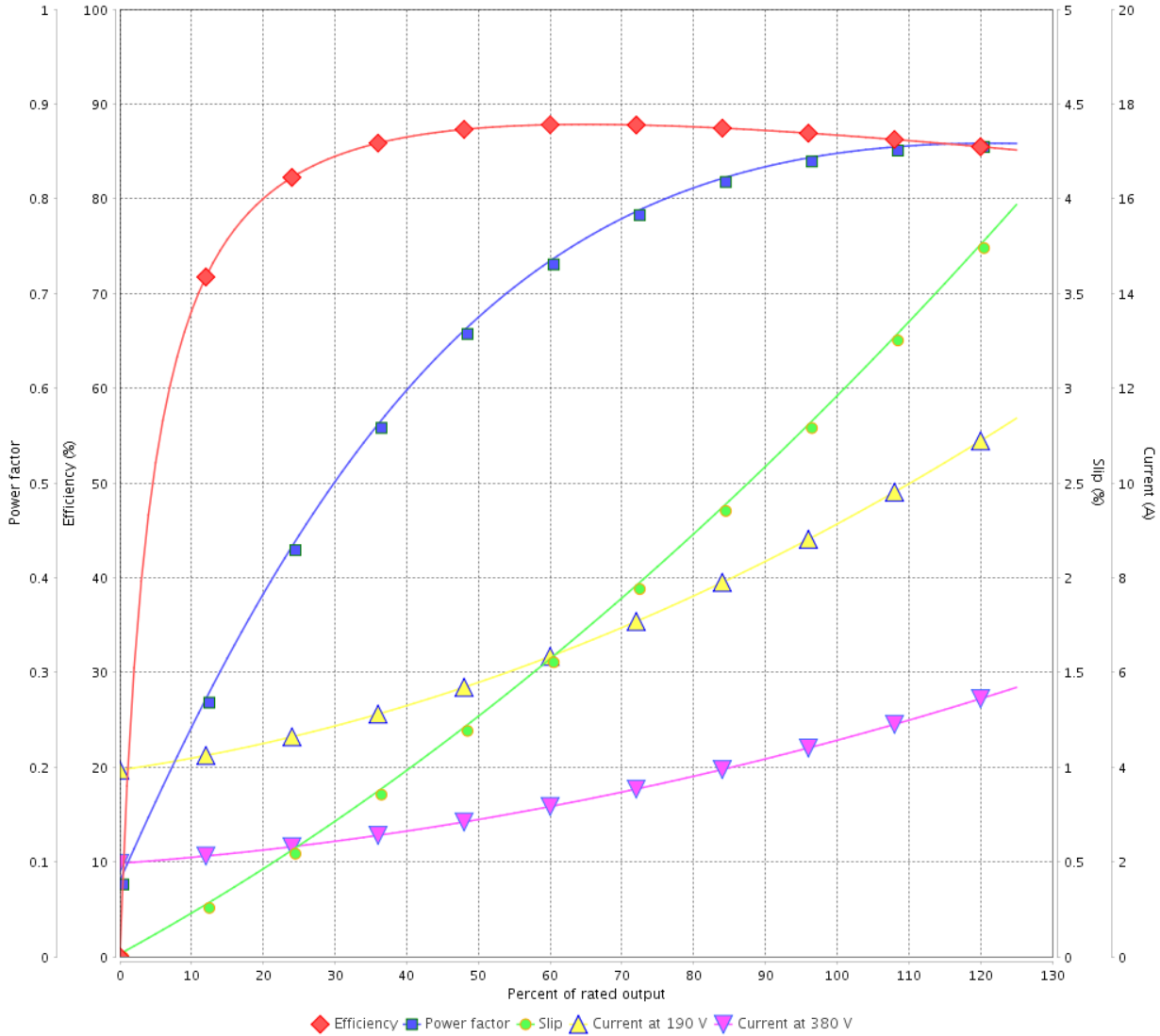
Customer :

Product line : JP Pump NEMA Premium
Efficiency Three-Phase

Product code : 14329711

Catalog # : 00318ET3E182JP-SG

LOAD PERFORMANCE CURVE



Performance : 190/380 V 50 Hz 4P

Rated current : 9.08/4.54 A
LRC : 6.7
Rated torque : 10.8 ft.lb
Locked rotor torque : 170 %
Breakdown torque : 260 %
Rated speed : 1455 rpm

Moment of inertia (J) : 0.4017 sq.ft.lb
Duty cycle : Cont.(S1)
Insulation class : F
Service factor : 1.15
Temperature rise : 80 K
Design : B

Rev.	Changes Summary	Performed	Checked	Date
Performed by			Page	Revision
Checked by			6 / 16	
Date	13/04/2022			

LOAD PERFORMANCE CURVE

Three Phase Induction Motor - Squirrel Cage

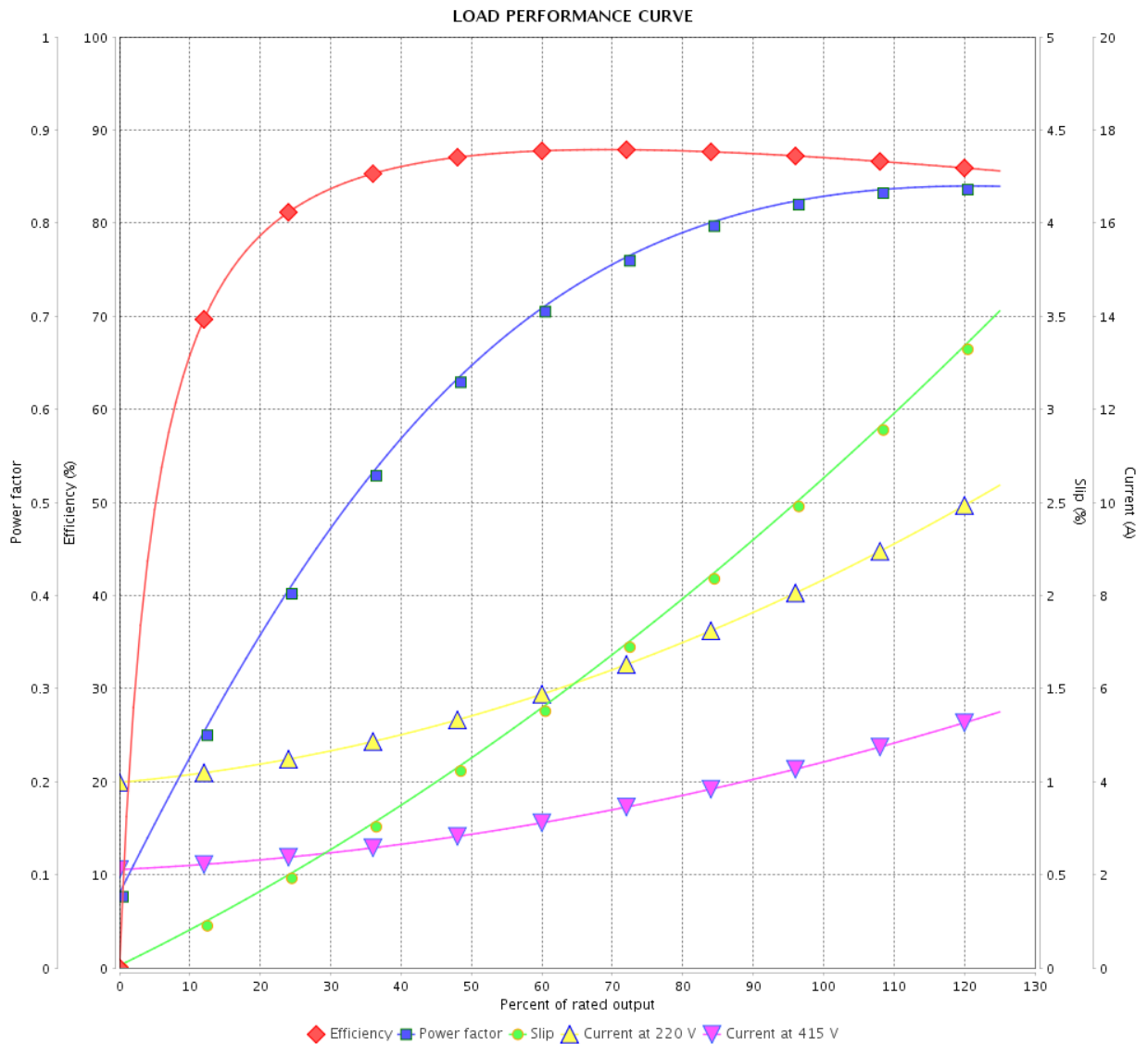


Customer :

Product line : JP Pump NEMA Premium
Efficiency Three-Phase

Product code : 14329711

Catalog # : 00318ET3E182JP-SG



Performance : 220/415 V 50 Hz 4P

Rated current : 8.30/4.40 A
LRC : 7.5
Rated torque : 10.8 ft.lb
Locked rotor torque : 200 %
Breakdown torque : 290 %
Rated speed : 1460 rpm

Moment of inertia (J) : 0.4017 sq.ft.lb
Duty cycle : Cont.(S1)
Insulation class : F
Service factor : 1.15
Temperature rise : 80 K
Design : B

Rev.	Changes Summary	Performed	Checked	Date
Performed by			Page	Revision
Checked by			7 / 16	
Date	13/04/2022			

THERMAL LIMIT CURVE



Three Phase Induction Motor - Squirrel Cage

Customer :

Product line : JP Pump NEMA Premium
Efficiency Three-Phase

Product code : 14329711

Catalog # : 00318ET3E182JP-SG

Performance : 230/460 V 60 Hz 4P

Rated current : 7.62/3.81 A
LRC : 8.8
Rated torque : 8.93 ft.lb
Locked rotor torque : 220 %
Breakdown torque : 300 %
Rated speed : 1765 rpm

Moment of inertia (J) : 0.4017 sq.ft.lb
Duty cycle : Cont.(S1)
Insulation class : F
Service factor : 1.15
Temperature rise : 80 K
Design : B

Heating constant

Cooling constant

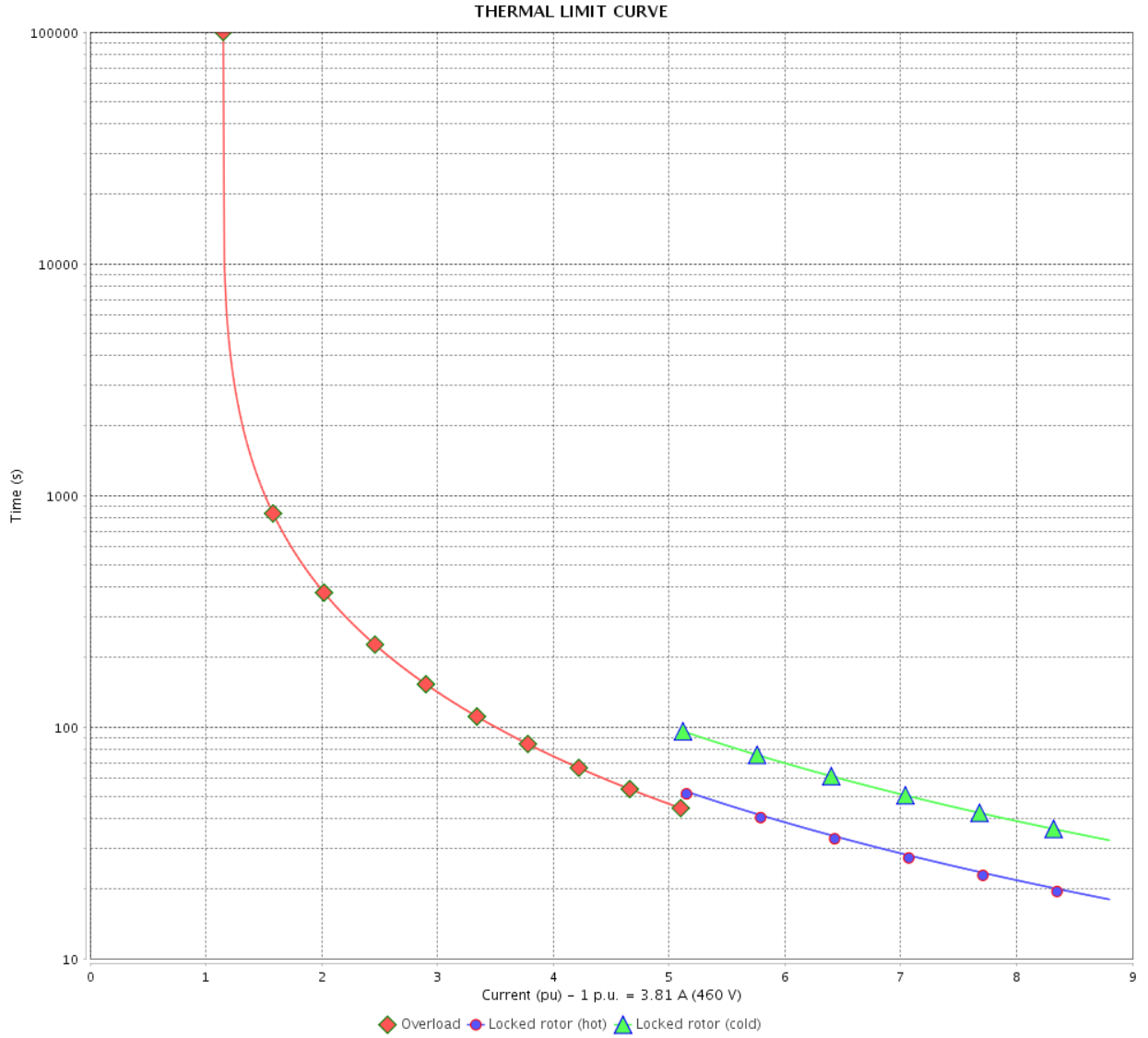
Rev.	Changes Summary	Performed	Checked	Date
Performed by				
Checked by			Page	Revision
Date	13/04/2022		8 / 16	

THERMAL LIMIT CURVE

Three Phase Induction Motor - Squirrel Cage



Customer : _____



Rev.	Changes Summary	Performed	Checked	Date
Performed by		Page 9 / 16		Revision
Checked by				
Date				

THERMAL LIMIT CURVE



Three Phase Induction Motor - Squirrel Cage

Customer :

Product line : JP Pump NEMA Premium
Efficiency Three-Phase

Product code : 14329711

Catalog # : 00318ET3E182JP-SG

Performance : 190/380 V 50 Hz 4P

Rated current : 9.08/4.54 A
LRC : 6.7
Rated torque : 10.8 ft.lb
Locked rotor torque : 170 %
Breakdown torque : 260 %
Rated speed : 1455 rpm

Moment of inertia (J) : 0.4017 sq.ft.lb
Duty cycle : Cont.(S1)
Insulation class : F
Service factor : 1.15
Temperature rise : 80 K
Design : B

Heating constant

Cooling constant

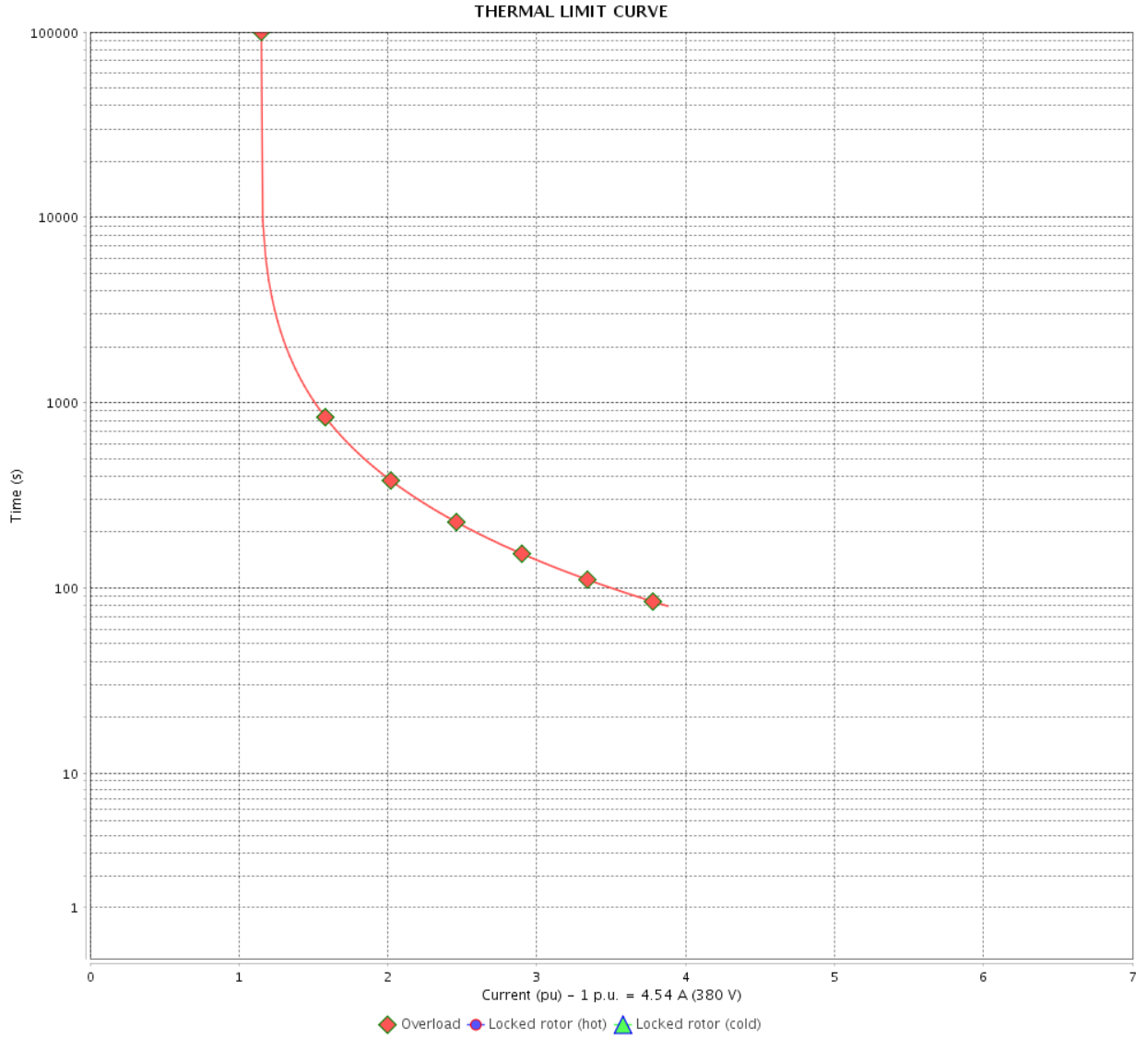
Rev.	Changes Summary	Performed	Checked	Date
Performed by				
Checked by				
Date	13/04/2022		Page 10 / 16	Revision

THERMAL LIMIT CURVE

Three Phase Induction Motor - Squirrel Cage



Customer : _____



Rev.	Changes Summary	Performed	Checked	Date
Performed by		Page		Revision
Checked by		11 / 16		
Date		13/04/2022		

THERMAL LIMIT CURVE



Three Phase Induction Motor - Squirrel Cage

Customer :

Product line : JP Pump NEMA Premium
Efficiency Three-Phase

Product code : 14329711

Catalog # : 00318ET3E182JP-SG

Performance : 220/415 V 50 Hz 4P

Rated current : 8.30/4.40 A
LRC : 7.5
Rated torque : 10.8 ft.lb
Locked rotor torque : 200 %
Breakdown torque : 290 %
Rated speed : 1460 rpm

Moment of inertia (J) : 0.4017 sq.ft.lb
Duty cycle : Cont.(S1)
Insulation class : F
Service factor : 1.15
Temperature rise : 80 K
Design : B

Heating constant

Cooling constant

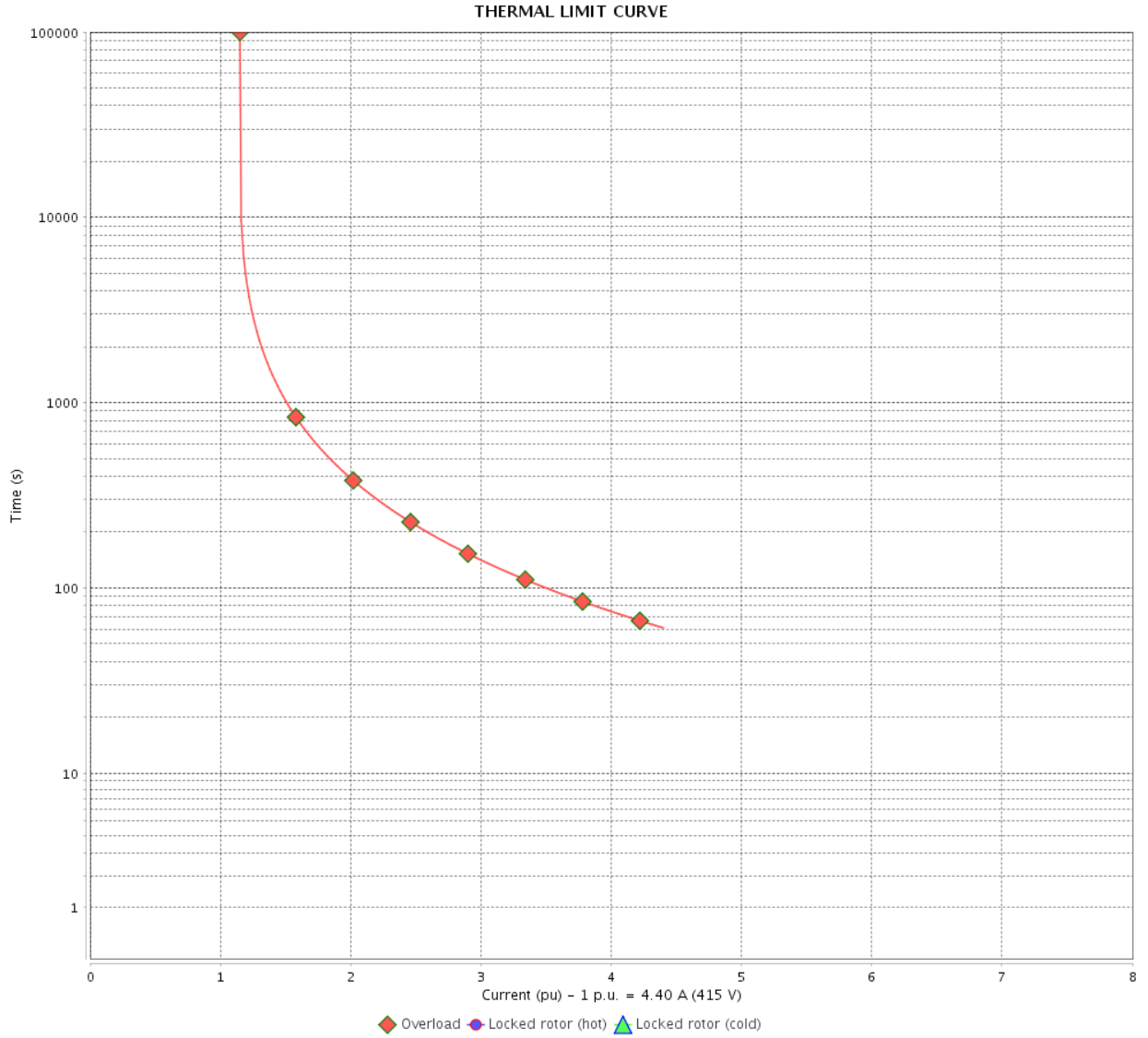
Rev.	Changes Summary	Performed	Checked	Date
Performed by				
Checked by			Page	Revision
Date	13/04/2022		12 / 16	

THERMAL LIMIT CURVE

Three Phase Induction Motor - Squirrel Cage



Customer : _____



Rev.	Changes Summary	Performed	Checked	Date
Performed by		Page		Revision
Checked by		13 / 16		
Date		13/04/2022		

VFD OPERATION CURVE

Three Phase Induction Motor - Squirrel Cage

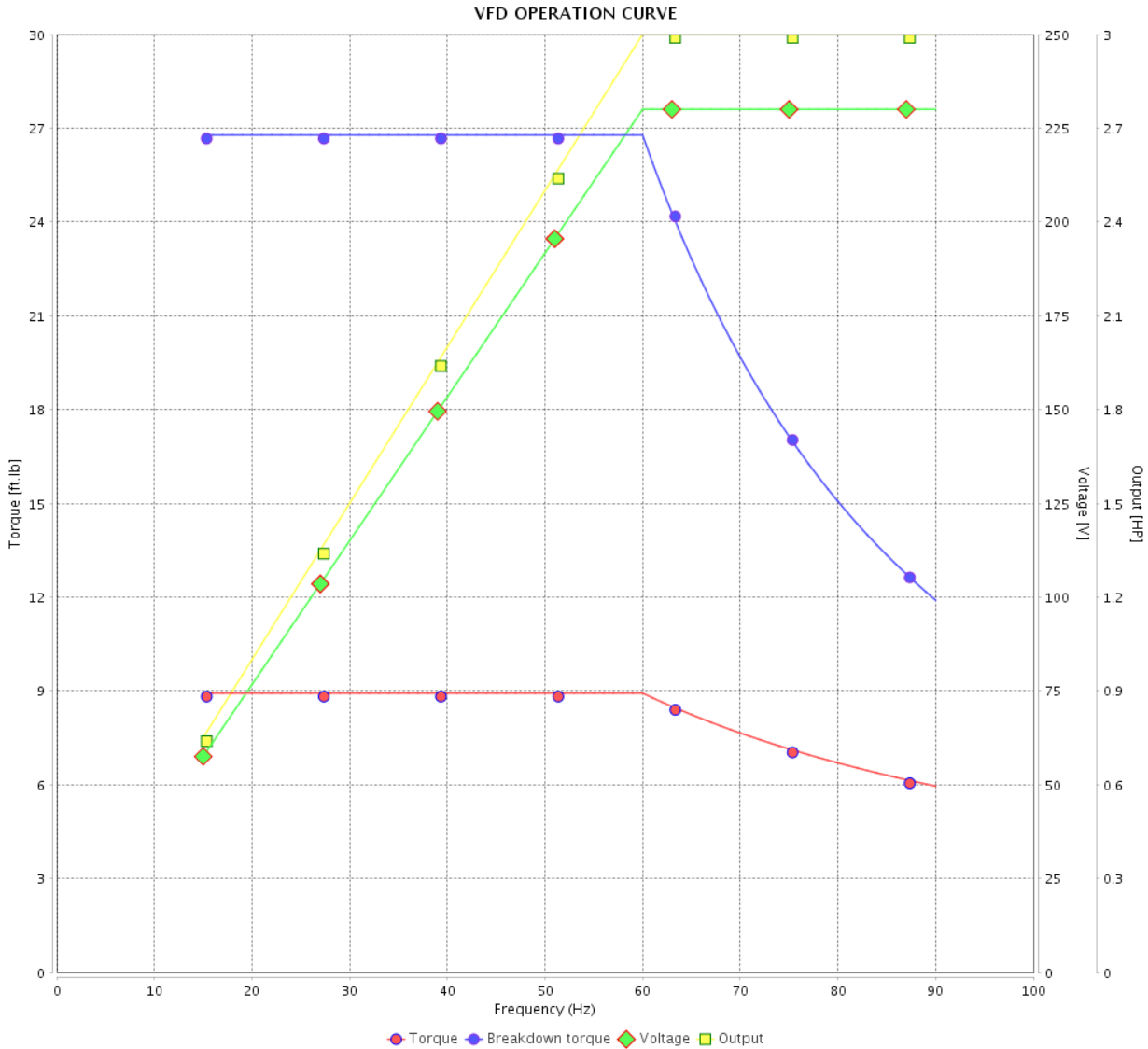


Customer :

Product line : JP Pump NEMA Premium Efficiency Three-Phase

Product code : 14329711

Catalog # : 00318ET3E182JP-SG



Performance : 230/460 V 60 Hz 4P

Rated current : 7.62/3.81 A
 LRC : 8.8
 Rated torque : 8.93 ft.lb
 Locked rotor torque : 220 %
 Breakdown torque : 300 %
 Rated speed : 1765 rpm

Moment of inertia (J) : 0.4017 sq.ft.lb
 Duty cycle : Cont.(S1)
 Insulation class : F
 Service factor : 1.15
 Temperature rise : 80 K
 Design : B

Rev.	Changes Summary	Performed	Checked	Date
Performed by			Page	Revision
Checked by				
Date				

VFD OPERATION CURVE

Three Phase Induction Motor - Squirrel Cage

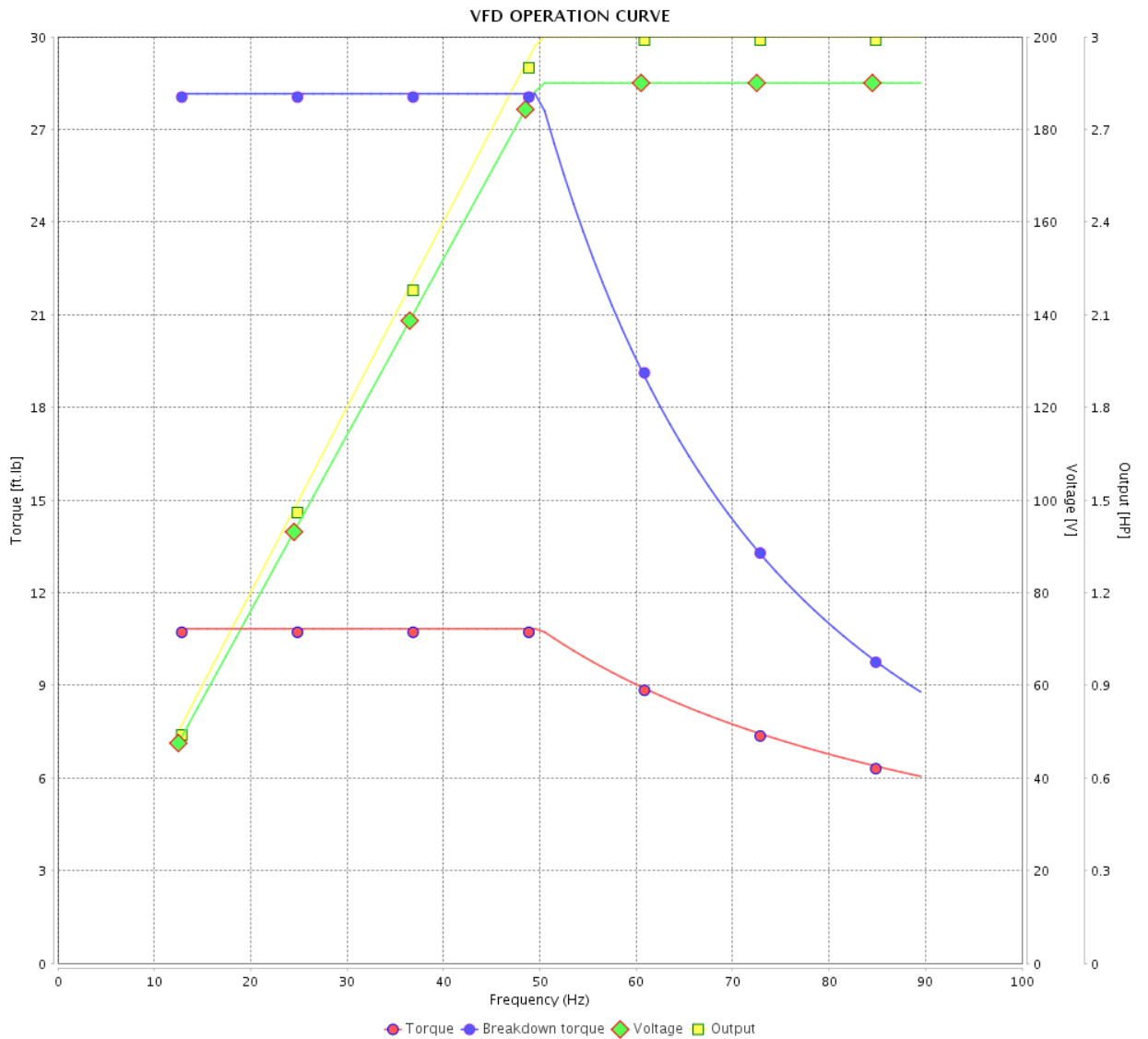


Customer :

Product line : JP Pump NEMA Premium Efficiency Three-Phase

Product code : 14329711

Catalog # : 00318ET3E182JP-SG



Performance : 190/380 V 50 Hz 4P

Rated current : 9.08/4.54 A
 LRC : 6.7
 Rated torque : 10.8 ft.lb
 Locked rotor torque : 170 %
 Breakdown torque : 260 %
 Rated speed : 1455 rpm

Moment of inertia (J) : 0.4017 sq.ft.lb
 Duty cycle : Cont.(S1)
 Insulation class : F
 Service factor : 1.15
 Temperature rise : 80 K
 Design : B

Rev.	Changes Summary	Performed	Checked	Date
Performed by		Page		Revision
Checked by		15 / 16		
Date		13/04/2022		

VFD OPERATION CURVE

Three Phase Induction Motor - Squirrel Cage

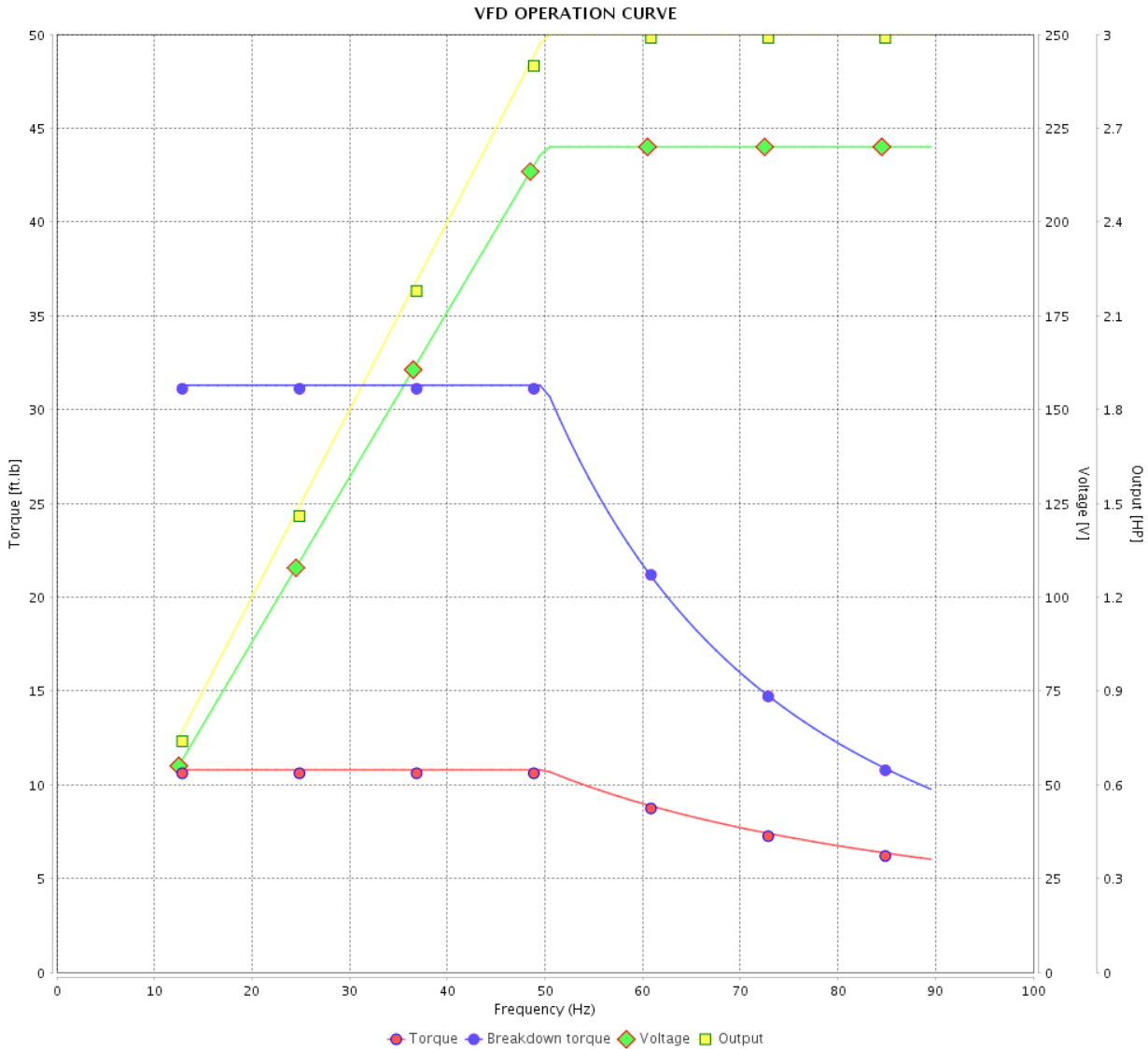


Customer :

Product line : JP Pump NEMA Premium Efficiency Three-Phase

Product code : 14329711

Catalog # : 00318ET3E182JP-SG



Performance : 220/415 V 50 Hz 4P

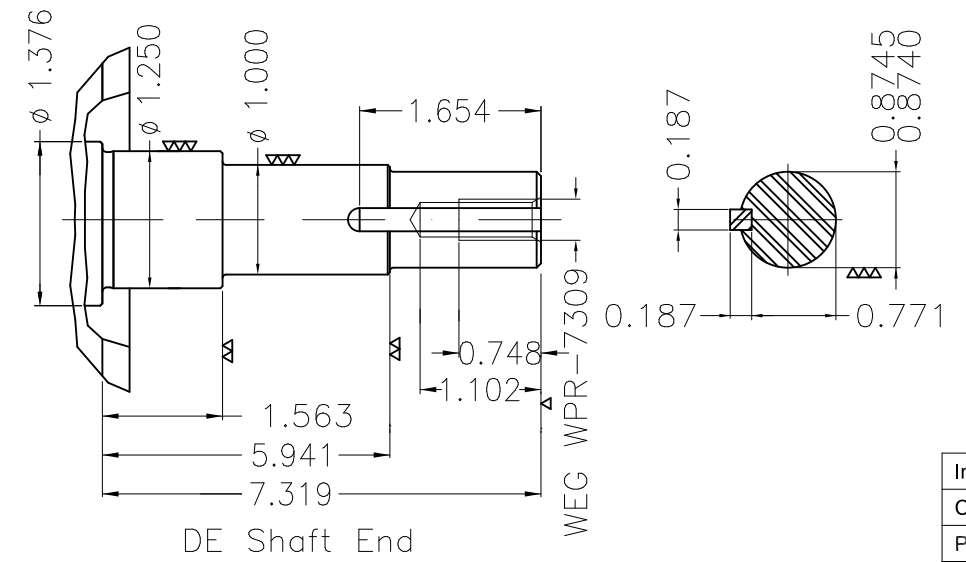
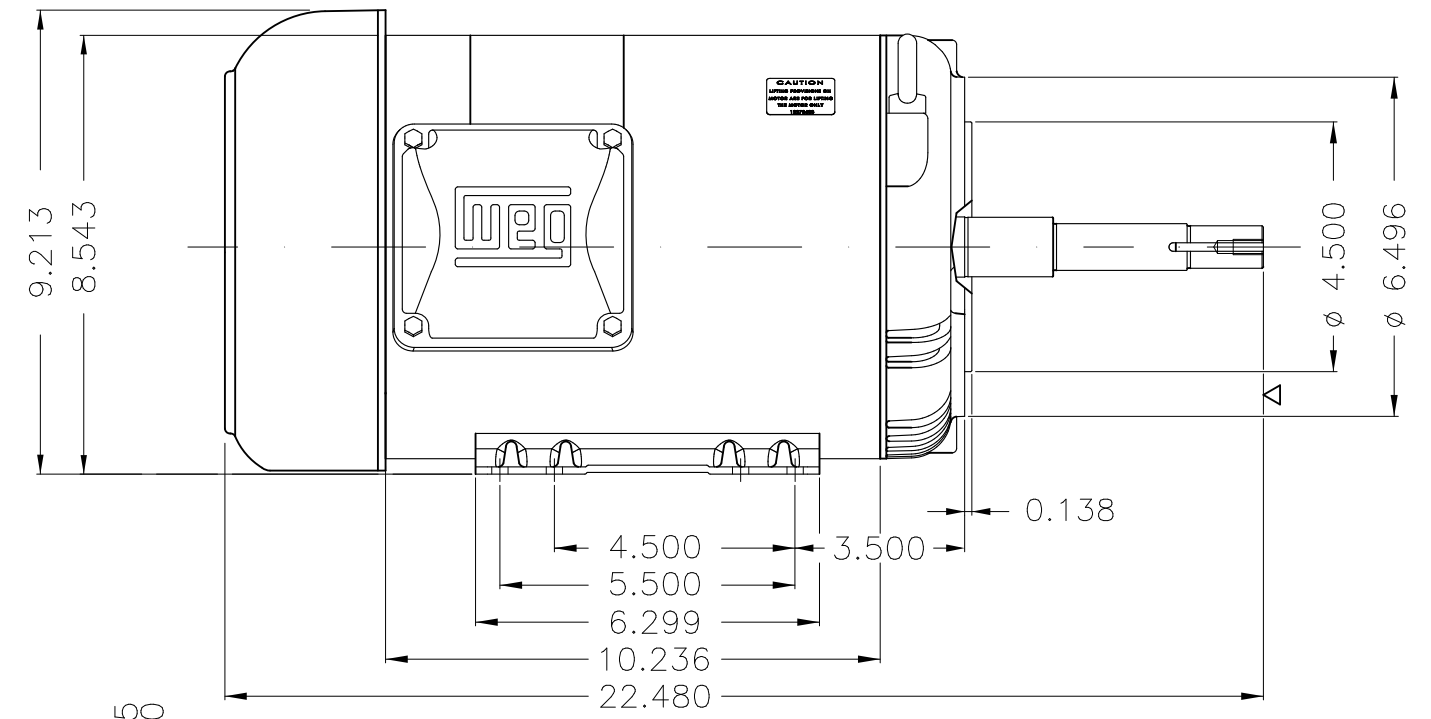
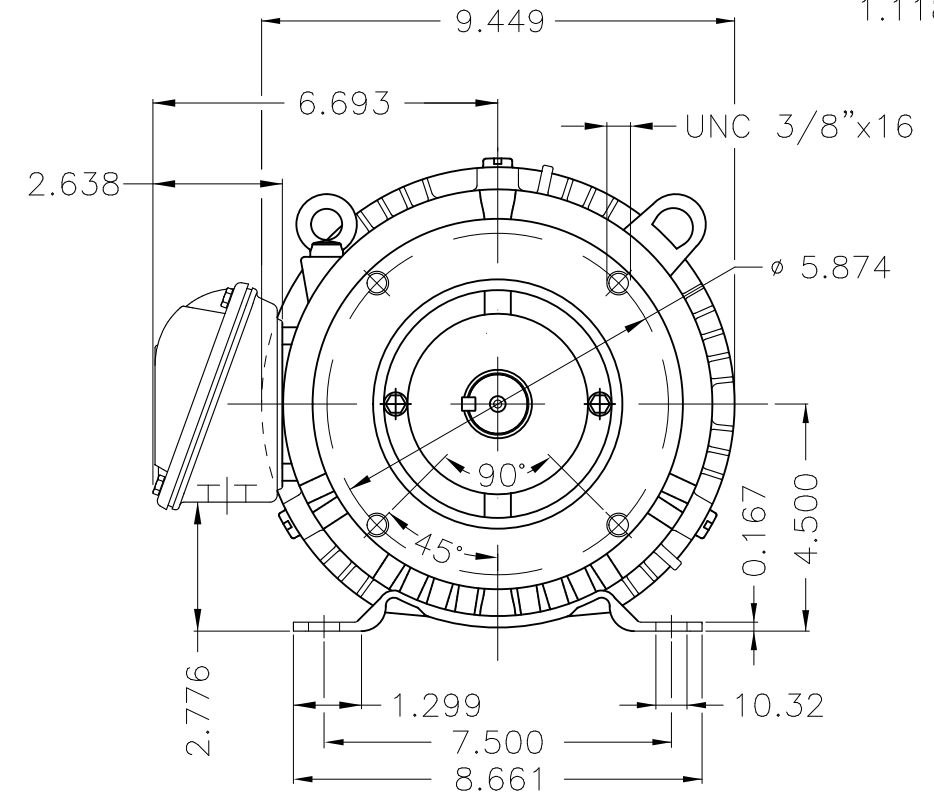
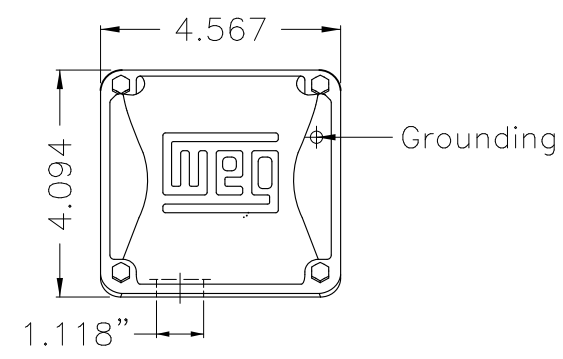
Rated current : 8.30/4.40 A
 LRC : 7.5
 Rated torque : 10.8 ft.lb
 Locked rotor torque : 200 %
 Breakdown torque : 290 %
 Rated speed : 1460 rpm

Moment of inertia (J) : 0.4017 sq.ft.lb
 Duty cycle : Cont.(S1)
 Insulation class : F
 Service factor : 1.15
 Temperature rise : 80 K
 Design : B

Rev.	Changes Summary	Performed	Checked	Date
Performed by			Page	Revision
Checked by				
Date				

1 2 3 4 5 6

A
B
C
D
E



EUNC 3/8"-16 WEG WPR-7309

Internal AEGIS ground ring on the DE
 Color Munsell N 1 matte black
 Painting plan 207N
 Mounting F-1/B34R(D)

ECM	LOC	SUMMARY OF MODIFICATIONS	EXECUTED	CHECKED	RELEASED	DATE	VER
EXECUTED	PIRWBUSER	THREE PH. MOTOR ROLLED STEEL CLOSE COUPLED PUMP JP 3/4 HP PRELIM					
CHECKED		FRAME 182/4JP IP55 TEFC					
RELEASED							
REL DT.	WMO	Jaragua do Sul	Product Engineering	WDD	SHEET	1 / 1	

3 HP 04 Poles 60 Hz

Dimensions in inches XME A3

