



# TORQUE AND CURRENT VS SPEED CURVE

Three Phase Induction Motor - Squirrel Cage



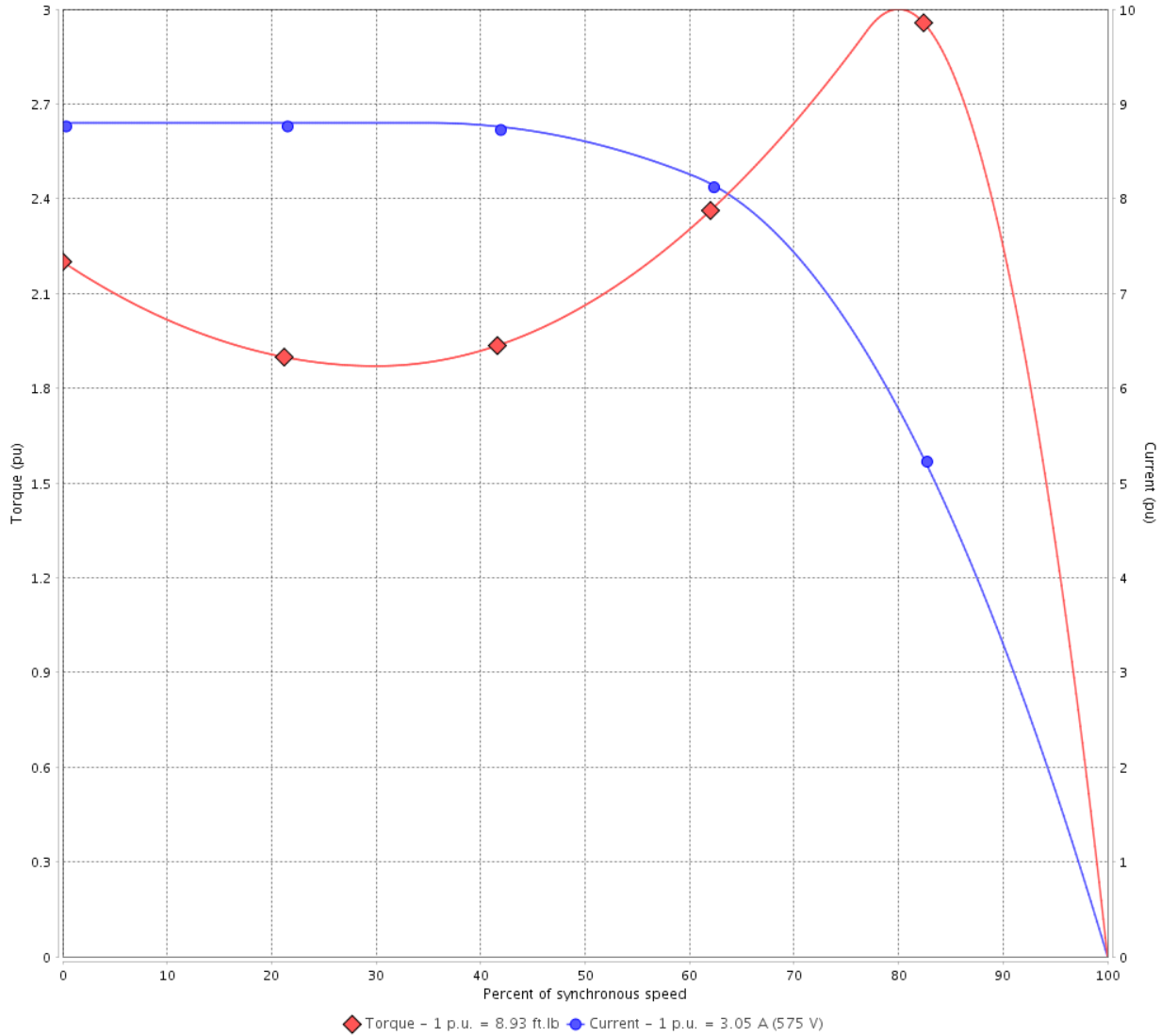
Customer :

Product line : JM Pump NEMA Premium  
Efficiency Three-Phase

Product code : 13393204

Catalog # : 00318ET3H182JM-S

TORQUE AND CURRENT VS SPEED CURVE



Performance : 575 V 60 Hz 4P

Rated current	: 3.05 A	Moment of inertia (J)	: 0.4017 sq.ft.lb
LRC	: 8.8	Duty cycle	: Cont.(S1)
Rated torque	: 8.93 ft.lb	Insulation class	: F
Locked rotor torque	: 220 %	Service factor	: 1.15
Breakdown torque	: 300 %	Temperature rise	: 80 K
Rated speed	: 1765 rpm	Design	: B

Locked rotor time : 32s (cold) 18s (hot)

Rev.	Changes Summary	Performed	Checked	Date
Performed by		Page		Revision
Checked by		2 / 6		
Date	13/04/2022			

# LOAD PERFORMANCE CURVE

## Three Phase Induction Motor - Squirrel Cage

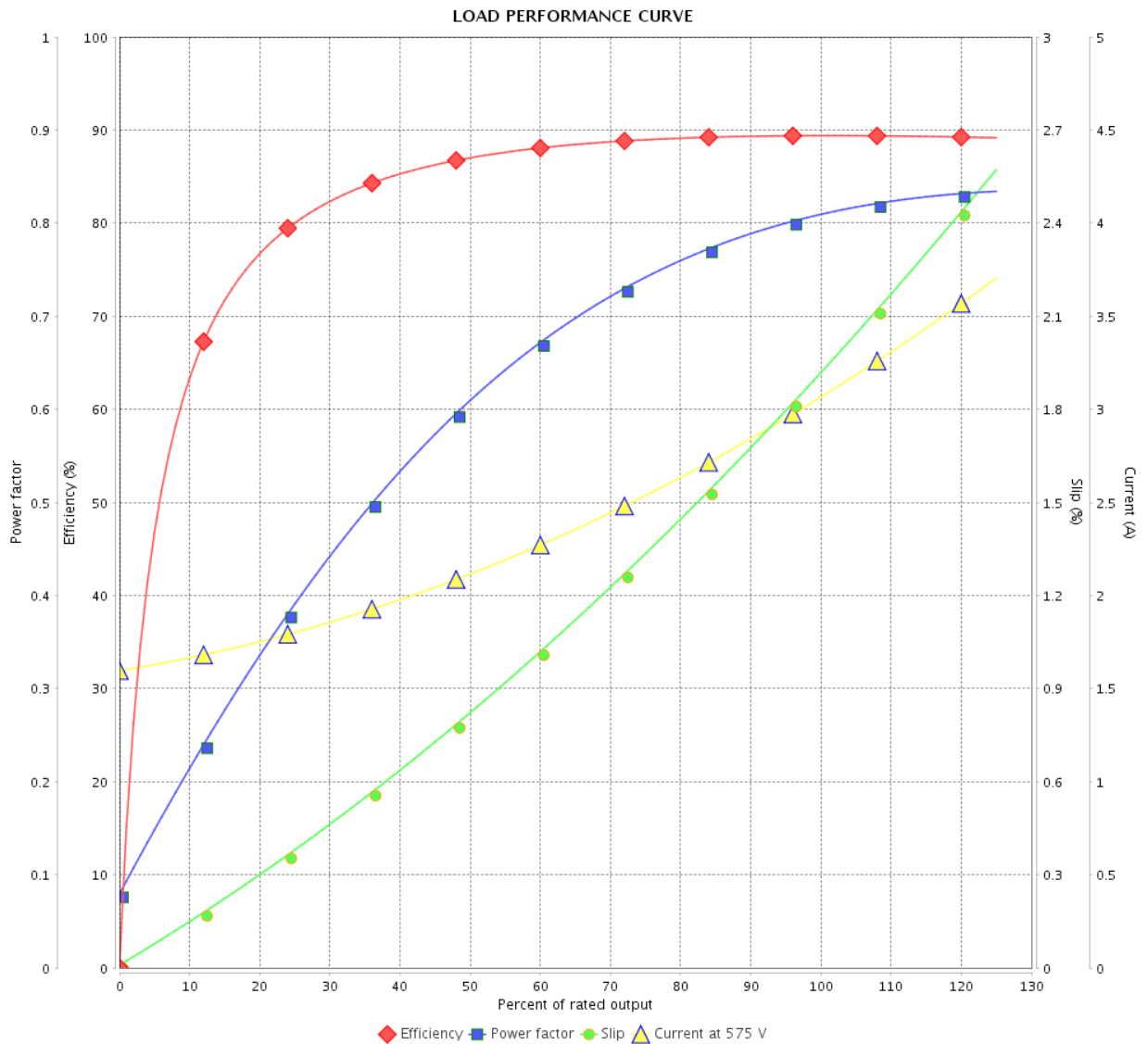


Customer : \_\_\_\_\_

Product line : JM Pump NEMA Premium  
Efficiency Three-Phase

Product code : 13393204

Catalog # : 00318ET3H182JM-S



Performance : 575 V 60 Hz 4P

Rated current : 3.05 A  
 LRC : 8.8  
 Rated torque : 8.93 ft.lb  
 Locked rotor torque : 220 %  
 Breakdown torque : 300 %  
 Rated speed : 1765 rpm

Moment of inertia (J) : 0.4017 sq.ft.lb  
 Duty cycle : Cont.(S1)  
 Insulation class : F  
 Service factor : 1.15  
 Temperature rise : 80 K  
 Design : B

Rev.	Changes Summary	Performed	Checked	Date
Performed by		Page		Revision
Checked by		3 / 6		
Date		13/04/2022		

# THERMAL LIMIT CURVE



## Three Phase Induction Motor - Squirrel Cage

Customer :

Product line : JM Pump NEMA Premium  
Efficiency Three-Phase

Product code : 13393204

Catalog # : 00318ET3H182JM-S

Performance : 575 V 60 Hz 4P

Rated current : 3.05 A  
LRC : 8.8  
Rated torque : 8.93 ft.lb  
Locked rotor torque : 220 %  
Breakdown torque : 300 %  
Rated speed : 1765 rpm

Moment of inertia (J) : 0.4017 sq.ft.lb  
Duty cycle : Cont.(S1)  
Insulation class : F  
Service factor : 1.15  
Temperature rise : 80 K  
Design : B

Heating constant

Cooling constant

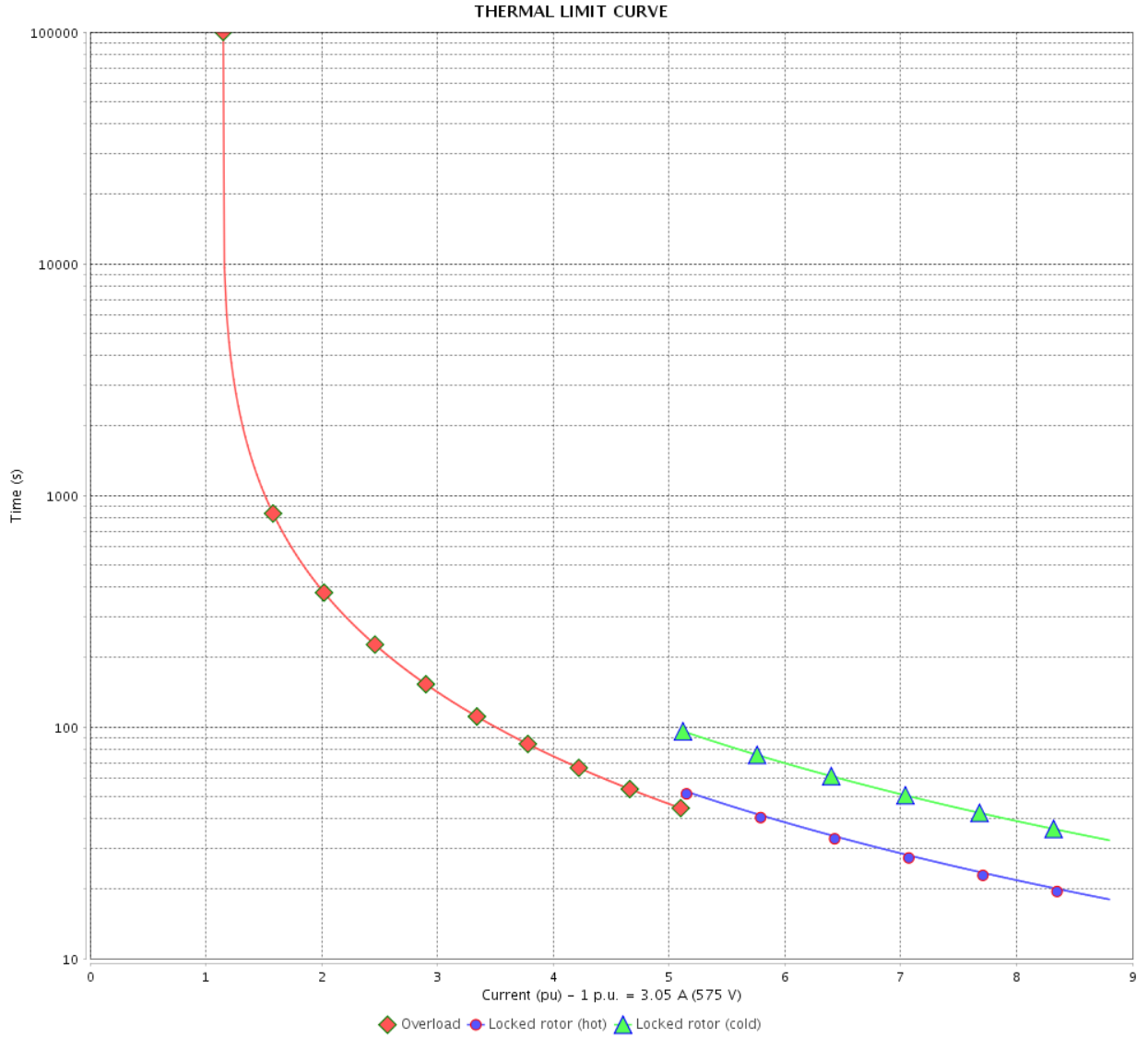
Rev.	Changes Summary	Performed	Checked	Date
Performed by				
Checked by			Page	Revision
Date	13/04/2022		4 / 6	

# THERMAL LIMIT CURVE

Three Phase Induction Motor - Squirrel Cage



Customer : \_\_\_\_\_



Rev.	Changes Summary	Performed	Checked	Date
Performed by		Page 5 / 6		Revision
Checked by				
Date				

# VFD OPERATION CURVE

Three Phase Induction Motor - Squirrel Cage

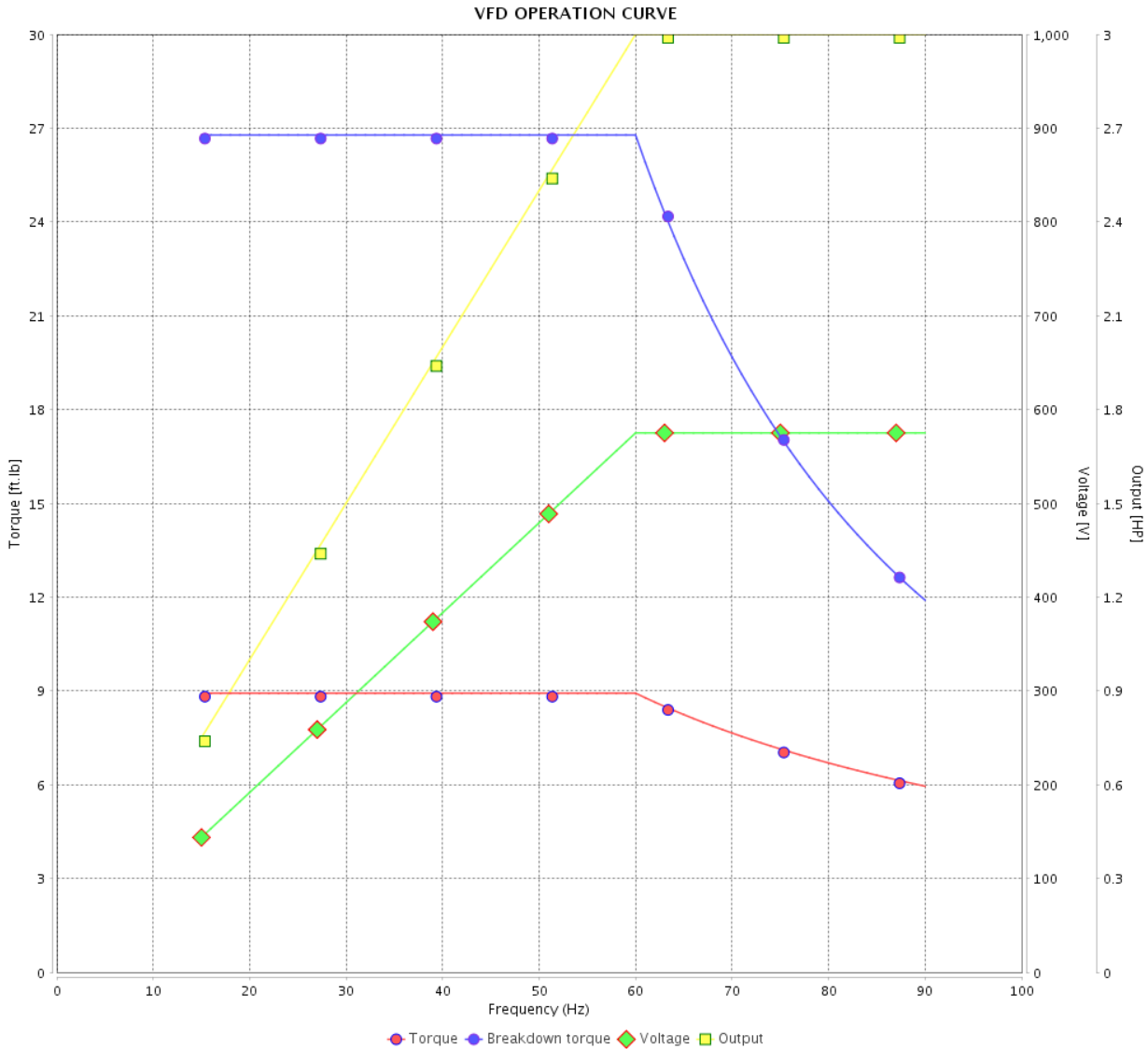


Customer :

Product line : JM Pump NEMA Premium Efficiency Three-Phase

Product code : 13393204

Catalog # : 00318ET3H182JM-S



Performance : 575 V 60 Hz 4P

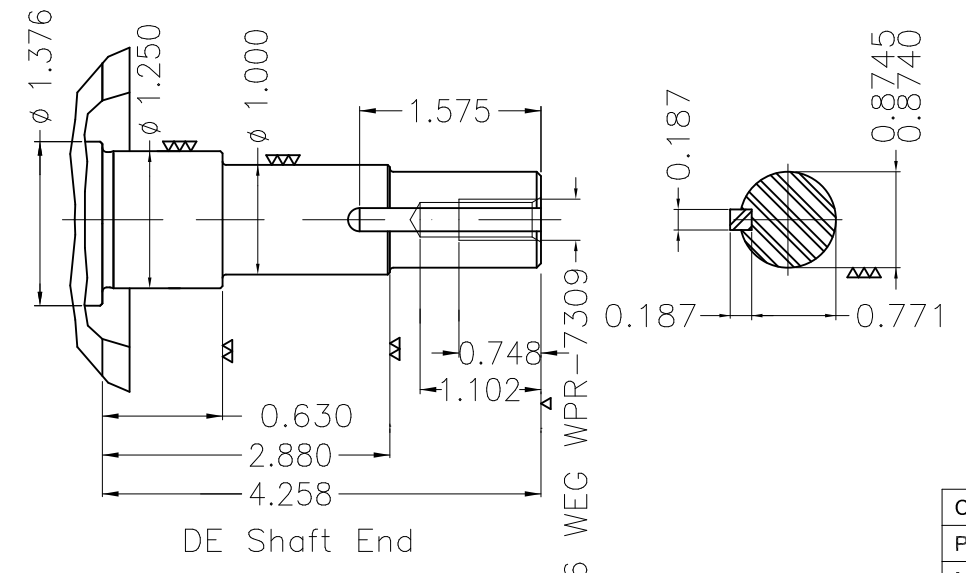
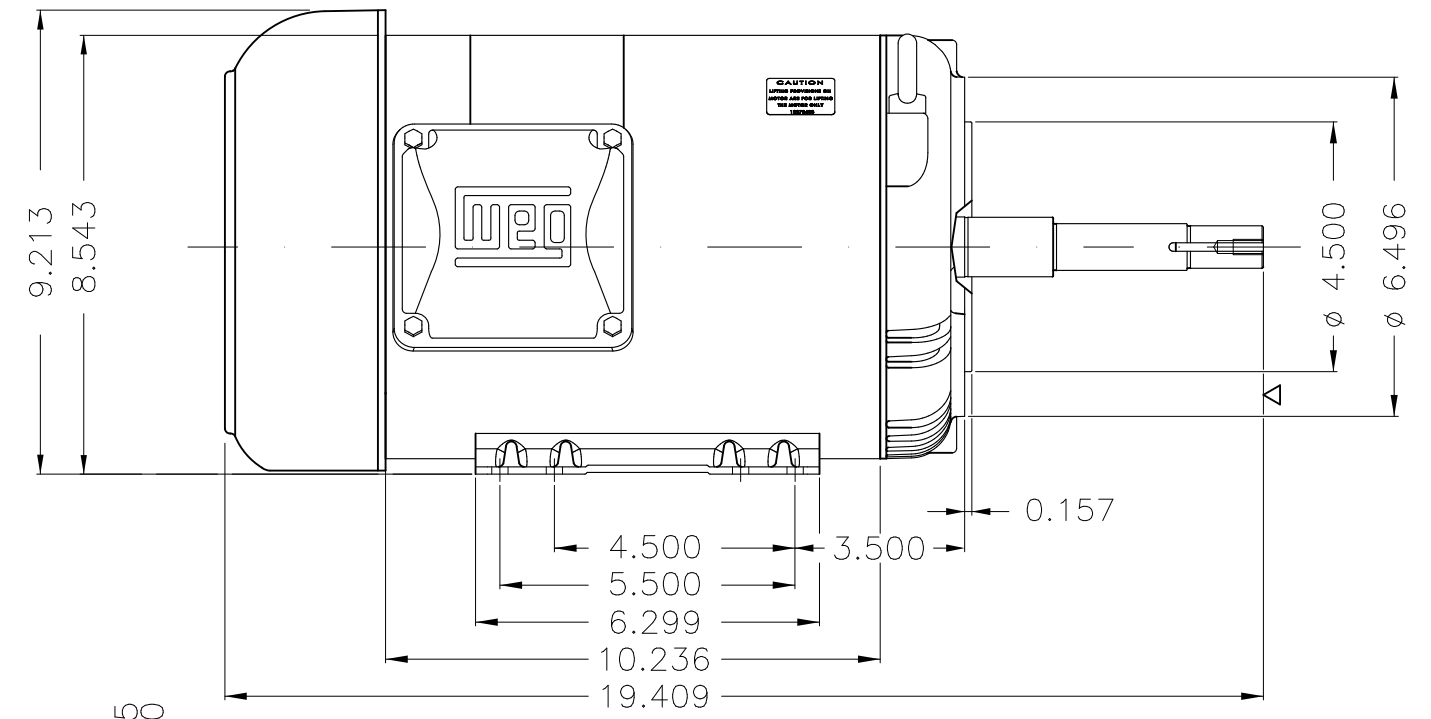
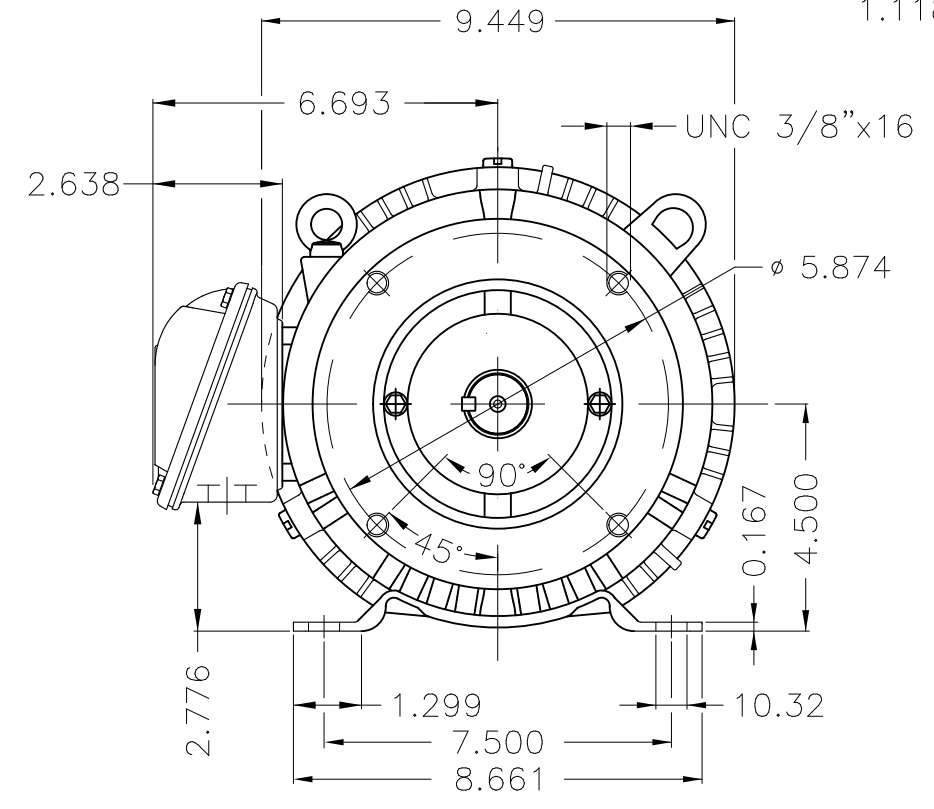
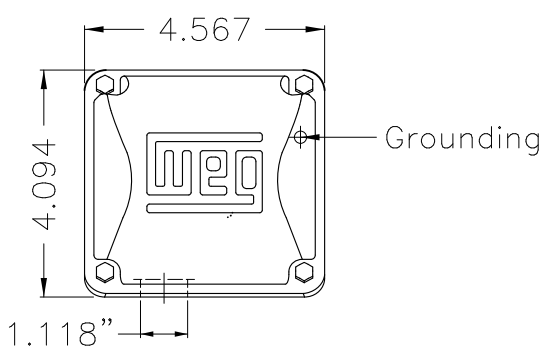
Rated current : 3.05 A  
 LRC : 8.8  
 Rated torque : 8.93 ft.lb  
 Locked rotor torque : 220 %  
 Breakdown torque : 300 %  
 Rated speed : 1765 rpm

Moment of inertia (J) : 0.4017 sq.ft.lb  
 Duty cycle : Cont.(S1)  
 Insulation class : F  
 Service factor : 1.15  
 Temperature rise : 80 K  
 Design : B

Rev.	Changes Summary	Performed	Checked	Date
Performed by			Page 6 / 6	Revision
Checked by				
Date	13/04/2022			

1 2 3 4 5 6

A  
B  
C  
D  
E



EUNC 3/8"-16 WEG WPR-7309

DE Shaft End

Color Munsell N 1 matte black									
Painting plan 207N									
Mounting F-1/B34R(D)									
ECM	LOC	SUMMARY OF MODIFICATIONS			EXECUTED	CHECKED	RELEASED	DATE	VER
EXECUTED	PIRWUSER	THREE PH. MOTOR ROLLED STEEL CLOSE COUPLED PUMP JN TYPE PSEF 187							
CHECKED		FRAME 182/4JM IP55 TEFC							
RELEASED									
REL DT.		WMO	Jaragua do Sul	Product Engineering					

3 HP 04 Poles 60 Hz

Dimensions in inches XME A3



**NEMA**  
**Premium**



MADE IN MEXICO

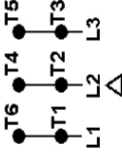
**MAT: 13393204 CC029A**  
**W01.TE0IC0X0N**  
**JM003504NPW01**  
**08APR2022 S/N:**

**For 60Hz: Class I, Zone 2, IIC**  
**Class I, Div.2, Gr. A,B,C,D - T3**  
**Div 2 Inverter Duty (SF1.00)**  
**CT 2:1/VT 1000:1**

PH 3	Hz 60	HP 3.0
FR 182/4JM		KW 2.2
DUTY CONT.		V 575
ALT 1000 m.a.s.l.		A 3.05
INS CL F AT 80K	IP55	SFA 3.51
AMB 40°C	DES B	SF 1.15
ENCL TEFC	CODE K	PF 0.81
		RPM 1765
		NEMA NOM. EFF 89.5%

**For safe area-Inverter duty motor For use on VPWM 1000:1 VT, 4:1 CT**

**DE 6207-ZZ ODE 6205-ZZ MOBIL POLYREX EM**



T1-BLU  
T2-WHT  
T3-ORG  
T4-YEL  
T5-BLK  
T6-GRY

**INTERCHANGE ANY TWO LINE WIRES TO REVERSE THE ROTATION**

**WARNING:** Motor must be grounded in accordance with local and national electrical codes to prevent serious electrical shocks. Disconnect power source before servicing unit.



**AVERTISSEMENT:** Le moteur doit être mis à la terre

conformément aux codes électriques locaux et nationaux afin d'éviter tout choc électrique grave. Déconnectez l'alimentation avant l'entretien de la machine.

