

# DATA SHEET



## Three Phase Induction Motor - Squirrel Cage

Customer :																			
Product line	: NEMA Premium Efficiency Three-Phase																		
Product code :	12598633																		
Catalog # :	00318ET3H182JM-W22																		
Frame : 182/4JM Output : 3 HP (2.2 kW) Poles : 4 Frequency : 60 Hz Rated voltage : 575 V Rated current : 3.13 A L. R. Amperes : 25.3 A LRC : 8.1x(Code K) No load current : 1.60 A Rated speed : 1760 rpm Slip : 2.22 % Rated torque : 8.95 ft.lb Locked rotor torque : 229 % Breakdown torque : 340 % Insulation class : F Service factor : 1.25 Moment of inertia (J) : 0.3401 sq.ft.lb Design : B	Locked rotor time : 41s (cold) 23s (hot) Temperature rise : 80 K Duty cycle : Cont.(S1) Ambient temperature : -20°C to +40°C Altitude : 1000 m.a.s.l. Protection degree : IP55 Cooling method : IC411 - TEFC Mounting : F-1 Rotation <sup>1</sup> : Both (CW and CCW) Noise level <sup>2</sup> : 56.0 dB(A) Starting method : Direct On Line Approx. weight <sup>3</sup> : 92.7 lb																		
Output	25%    50%    75%    100%																		
Efficiency (%)	86.4    87.5    88.5    89.5																		
Power Factor	0.36    0.61    0.73    0.79																		
Foundation loads																			
Max. traction	: 148 lb																		
Max. compression	: 241 lb																		
	<table border="0"> <tr> <td></td> <td style="text-align: center;"><u>Drive end</u></td> <td style="text-align: center;"><u>Non drive end</u></td> </tr> <tr> <td>Bearing type</td> <td>: 6307 ZZ</td> <td>6206 ZZ</td> </tr> <tr> <td>Sealing</td> <td>: V'Ring</td> <td>V'Ring</td> </tr> <tr> <td>Lubrication interval</td> <td>: -</td> <td>-</td> </tr> <tr> <td>Lubricant amount</td> <td>: -</td> <td>-</td> </tr> <tr> <td>Lubricant type</td> <td colspan="2">: Mobil Polyrex EM</td> </tr> </table>		<u>Drive end</u>	<u>Non drive end</u>	Bearing type	: 6307 ZZ	6206 ZZ	Sealing	: V'Ring	V'Ring	Lubrication interval	: -	-	Lubricant amount	: -	-	Lubricant type	: Mobil Polyrex EM	
	<u>Drive end</u>	<u>Non drive end</u>																	
Bearing type	: 6307 ZZ	6206 ZZ																	
Sealing	: V'Ring	V'Ring																	
Lubrication interval	: -	-																	
Lubricant amount	: -	-																	
Lubricant type	: Mobil Polyrex EM																		
Notes																			
This revision replaces and cancel the previous one, which must be eliminated. (1) Looking the motor from the shaft end. (2) Measured at 1m and with tolerance of +3dB(A). (3) Approximate weight subject to changes after manufacturing process. (4) At 100% of full load.																			
These are average values based on tests with sinusoidal power supply, subject to the tolerances stipulated in NEMA MG-1.																			
Rev.	Changes Summary	Performed	Checked	Date															
Performed by																			
Checked by			Page	Revision															
Date	13/04/2022		1 / 6																

# TORQUE AND CURRENT VS SPEED CURVE

## Three Phase Induction Motor - Squirrel Cage



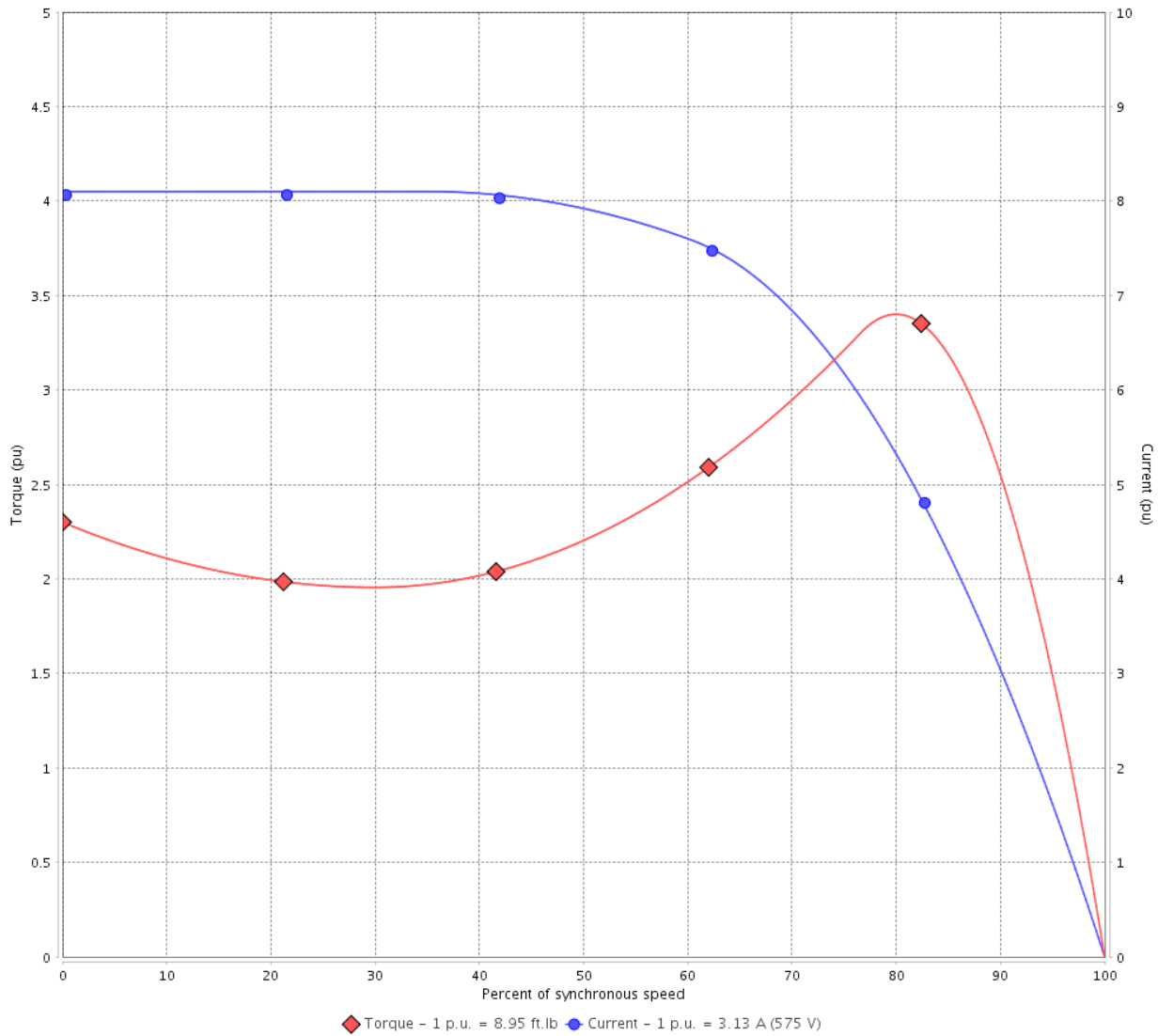
Customer : \_\_\_\_\_

Product line : NEMA Premium Efficiency Three-Phase

Product code : 12598633

Catalog # : 00318ET3H182JM-W22

TORQUE AND CURRENT VS SPEED CURVE



Performance : 575 V 60 Hz 4P

Rated current	: 3.13 A	Moment of inertia (J)	: 0.3401 sq.ft.lb
LRC	: 8.1	Duty cycle	: Cont.(S1)
Rated torque	: 8.95 ft.lb	Insulation class	: F
Locked rotor torque	: 229 %	Service factor	: 1.25
Breakdown torque	: 340 %	Temperature rise	: 80 K
Rated speed	: 1760 rpm	Design	: B

Locked rotor time : 41s (cold) 23s (hot)

Rev.	Changes Summary	Performed	Checked	Date
Performed by			Page 2 / 6	Revision
Checked by				
Date	13/04/2022			

# LOAD PERFORMANCE CURVE

## Three Phase Induction Motor - Squirrel Cage

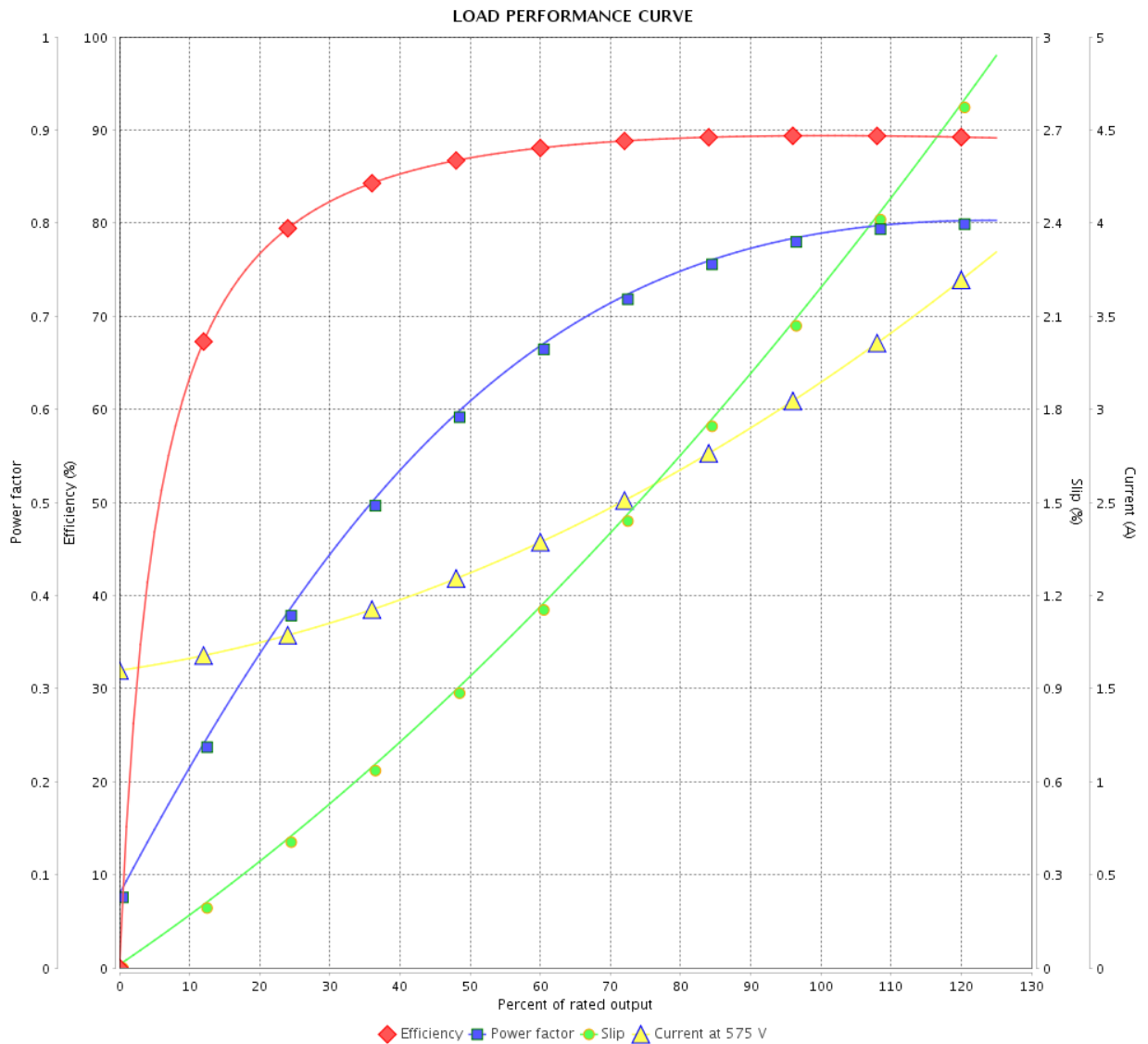


Customer : \_\_\_\_\_

Product line : NEMA Premium Efficiency Three-Phase

Product code : 12598633

Catalog # : 00318ET3H182JM-W22



Performance : 575 V 60 Hz 4P

Rated current : 3.13 A  
 LRC : 8.1  
 Rated torque : 8.95 ft.lb  
 Locked rotor torque : 229 %  
 Breakdown torque : 340 %  
 Rated speed : 1760 rpm

Moment of inertia (J) : 0.3401 sq.ft.lb  
 Duty cycle : Cont.(S1)  
 Insulation class : F  
 Service factor : 1.25  
 Temperature rise : 80 K  
 Design : B

Rev.	Changes Summary	Performed	Checked	Date
Performed by		Page		Revision
Checked by		3 / 6		
Date		13/04/2022		

# THERMAL LIMIT CURVE



## Three Phase Induction Motor - Squirrel Cage

Customer :

Product line : NEMA Premium Efficiency Three-Phase  
Product code : 12598633  
Catalog # : 00318ET3H182JM-W22

Performance : 575 V 60 Hz 4P

Rated current	: 3.13 A	Moment of inertia (J)	: 0.3401 sq.ft.lb
LRC	: 8.1	Duty cycle	: Cont.(S1)
Rated torque	: 8.95 ft.lb	Insulation class	: F
Locked rotor torque	: 229 %	Service factor	: 1.25
Breakdown torque	: 340 %	Temperature rise	: 80 K
Rated speed	: 1760 rpm	Design	: B

Heating constant

Cooling constant

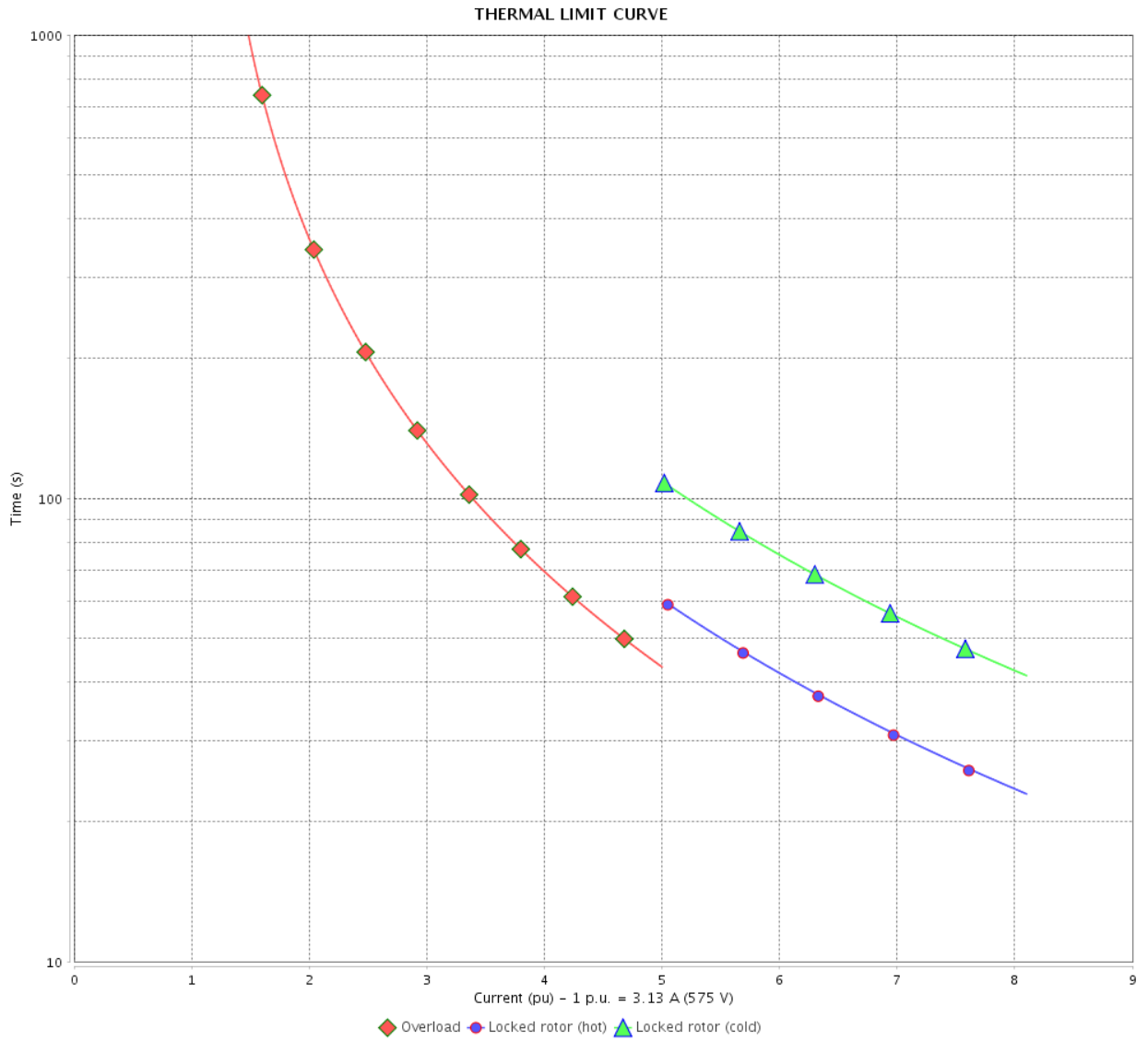
Rev.	Changes Summary	Performed	Checked	Date
Performed by				
Checked by			Page	Revision
Date	13/04/2022		4 / 6	

# THERMAL LIMIT CURVE

Three Phase Induction Motor - Squirrel Cage



Customer : \_\_\_\_\_



Rev.	Changes Summary	Performed	Checked	Date
Performed by		Page 5 / 6		Revision
Checked by				
Date				

# VFD OPERATION CURVE

Three Phase Induction Motor - Squirrel Cage

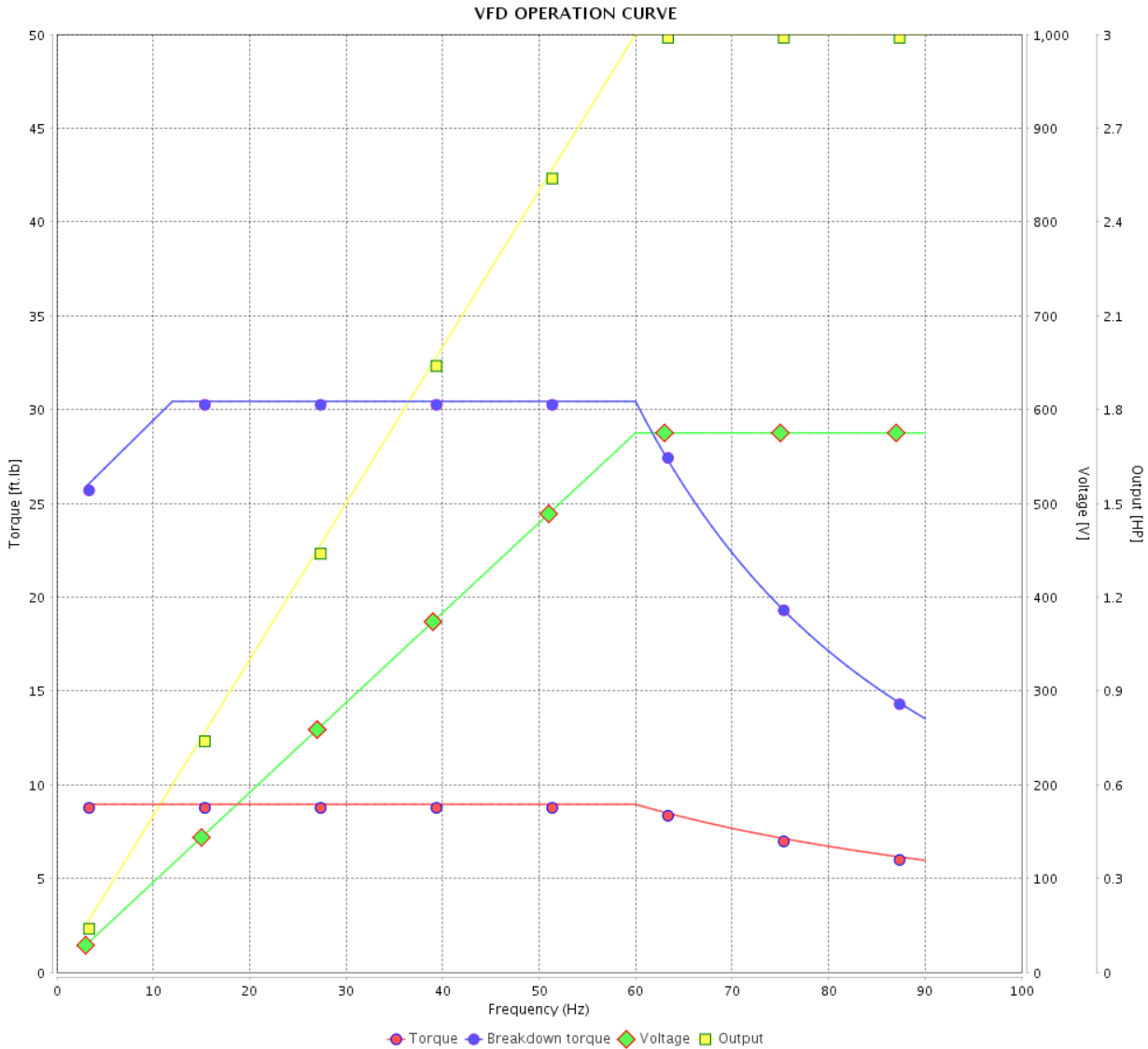


Customer : \_\_\_\_\_

Product line : NEMA Premium Efficiency Three-Phase

Product code : 12598633

Catalog # : 00318ET3H182JM-W22



Performance : 575 V 60 Hz 4P

Rated current : 3.13 A  
 LRC : 8.1  
 Rated torque : 8.95 ft.lb  
 Locked rotor torque : 229 %  
 Breakdown torque : 340 %  
 Rated speed : 1760 rpm

Moment of inertia (J) : 0.3401 sq.ft.lb  
 Duty cycle : Cont.(S1)  
 Insulation class : F  
 Service factor : 1.25  
 Temperature rise : 80 K  
 Design : B

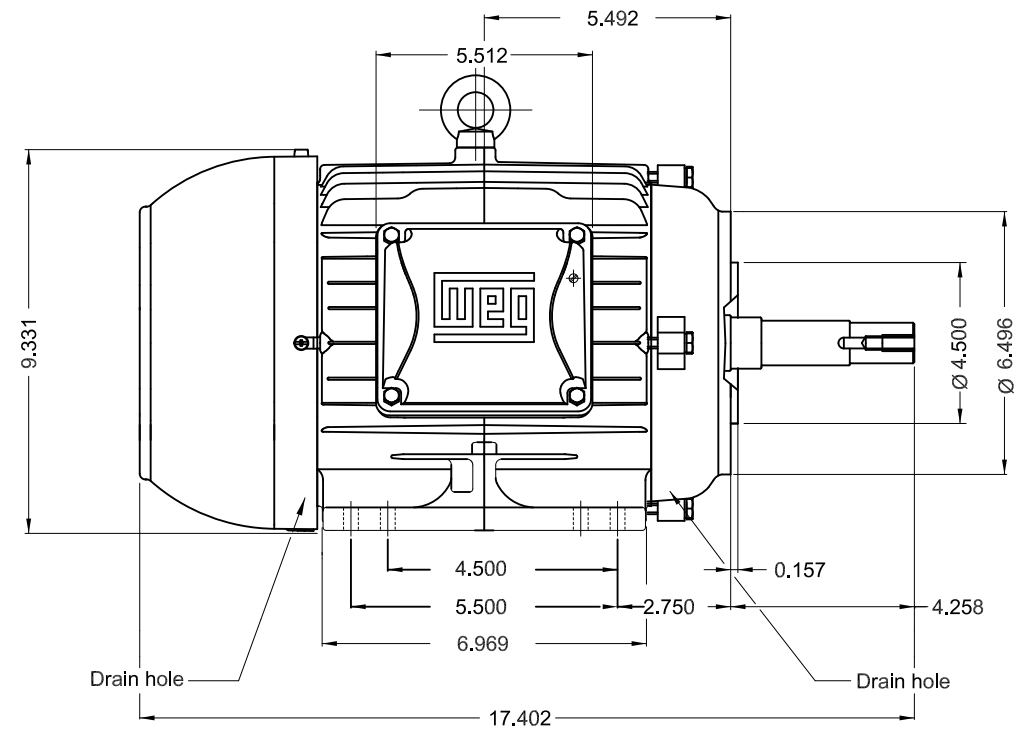
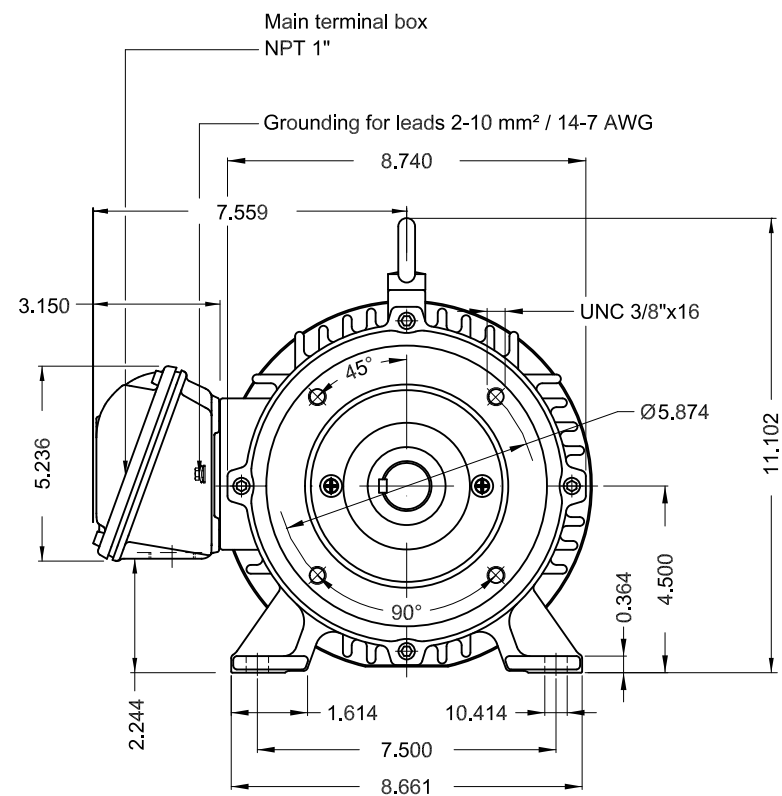
Rev.	Changes Summary	Performed	Checked	Date
Performed by			Page 6 / 6	Revision
Checked by				
Date	13/04/2022			

1 2 3 4 5 6

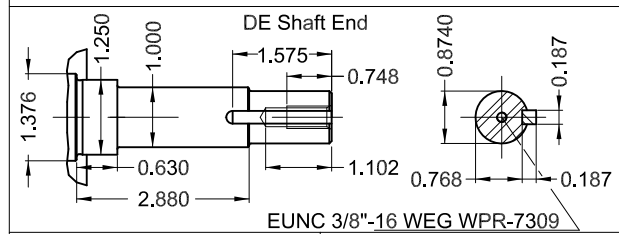
A

B

C



D



E

Color RAL 5009  
 Painting plan 207A  
 Mounting NEMA F-1  
 Mounting B34R(D)

3 HP 04 Poles 60 Hz

A

ECM	LOC	SUMMARY OF MODIFICATIONS	EXECUTED	CHECKED	RELEASED	DATE	VER
EXECUTED	PIRWBUSER	THREE PH. MOTOR JM/JP/JET PUMP W22 PREM. EFF.					
CHECKED		FRAME 182/4JM IP55 TEFC					
RELEASED							
REL DT.	WMO	Jaragua do Sul	Product Engineering	SHEET	1 / 1		

PREVIEW  
 WDD



Dimensions in inches

XME A3

**W22**

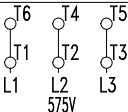
CC029A

® Inverter Duty Motor  
Severe Duty

12598633

MADE IN BRAZIL MODEL 00318ET3H182JM-W22

PH 3	FR 182/4JM	HP(kw) 3.0(2.2)	Hz 60	SF 1.25	PF 0.79
V 575	A 3.13	RPM 1760	INS. CL.F $\Delta$ T 80 K		
NEMA NOM EFF 89.5 % DES B DUTY CONT.				AMB 40°C	
ENCL TEFC	IP55	SFA 3.91	ALT 1000 m.a.s.l.		
					CODE K



MOBIL POLYREX EM

90 Lbs

Class I, Div 2, Gr. A, B, C and D - T3

Class I, Zone 2, IIC - T3

Class II, Div 2, Gr. F and G - T5

For use on PWM, Gr. A, B, C, D, F and G

VT1000:1, CT20:1, 1.0SF, T4A

FOR SAFE AREA  
MOD.TE1BFOXON