

TORQUE AND CURRENT VS SPEED CURVE

Three Phase Induction Motor - Squirrel Cage



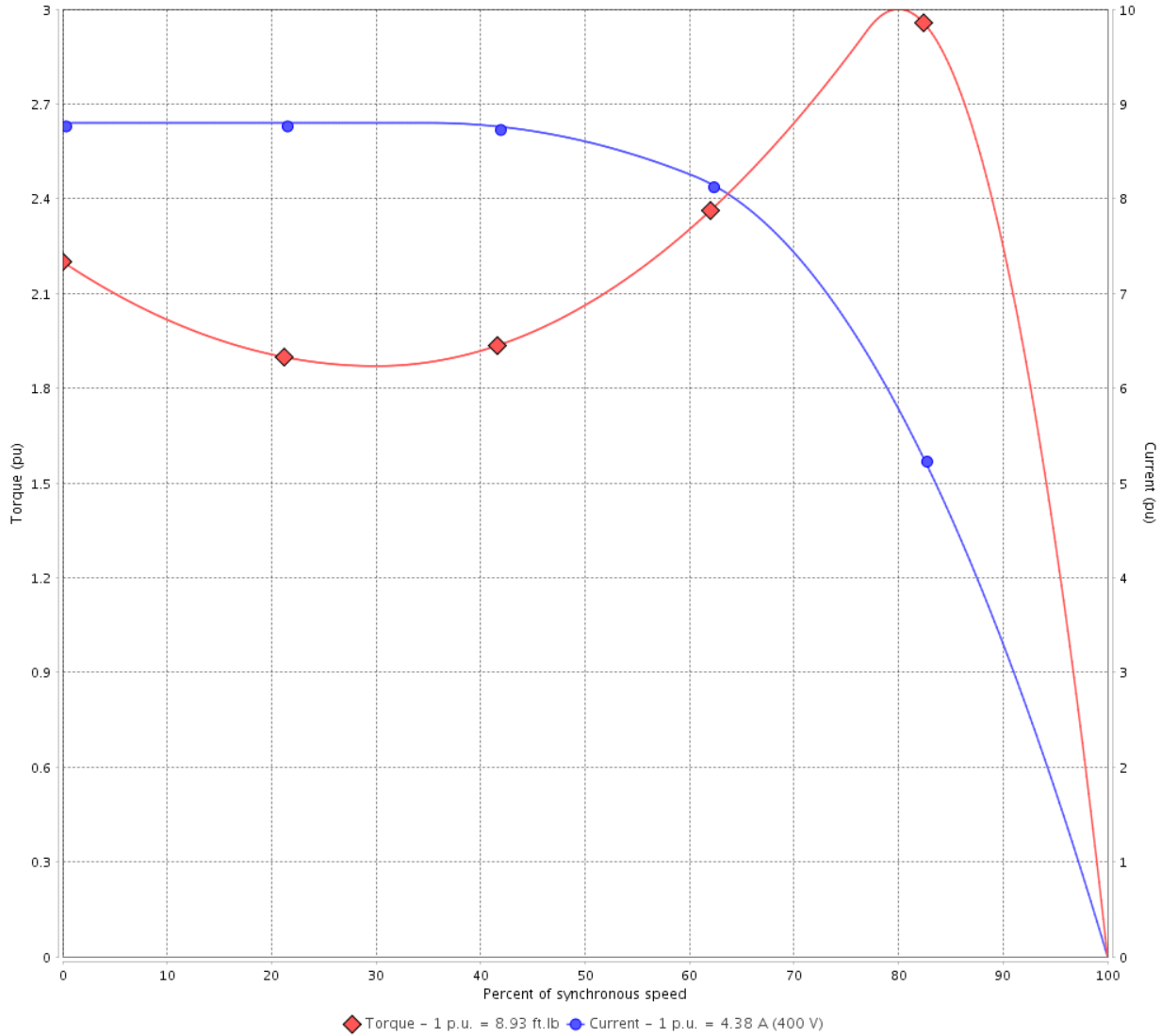
Customer :

Product line : JM Pump NEMA Premium Efficiency Three-Phase

Product code : 13413888

Catalog # : 00318ET3V182JM-S

TORQUE AND CURRENT VS SPEED CURVE



Performance : 200/400 V 60 Hz 4P

Rated current : 8.76/4.38 A
 LRC : 8.8
 Rated torque : 8.93 ft.lb
 Locked rotor torque : 220 %
 Breakdown torque : 300 %
 Rated speed : 1765 rpm

Moment of inertia (J) : 0.4017 sq.ft.lb
 Duty cycle : Cont.(S1)
 Insulation class : F
 Service factor : 1.15
 Temperature rise : 80 K
 Design : B

Locked rotor time : 32s (cold) 18s (hot)

Rev.	Changes Summary	Performed	Checked	Date
Performed by			Page 2 / 6	Revision
Checked by				
Date	13/04/2022			

LOAD PERFORMANCE CURVE

Three Phase Induction Motor - Squirrel Cage

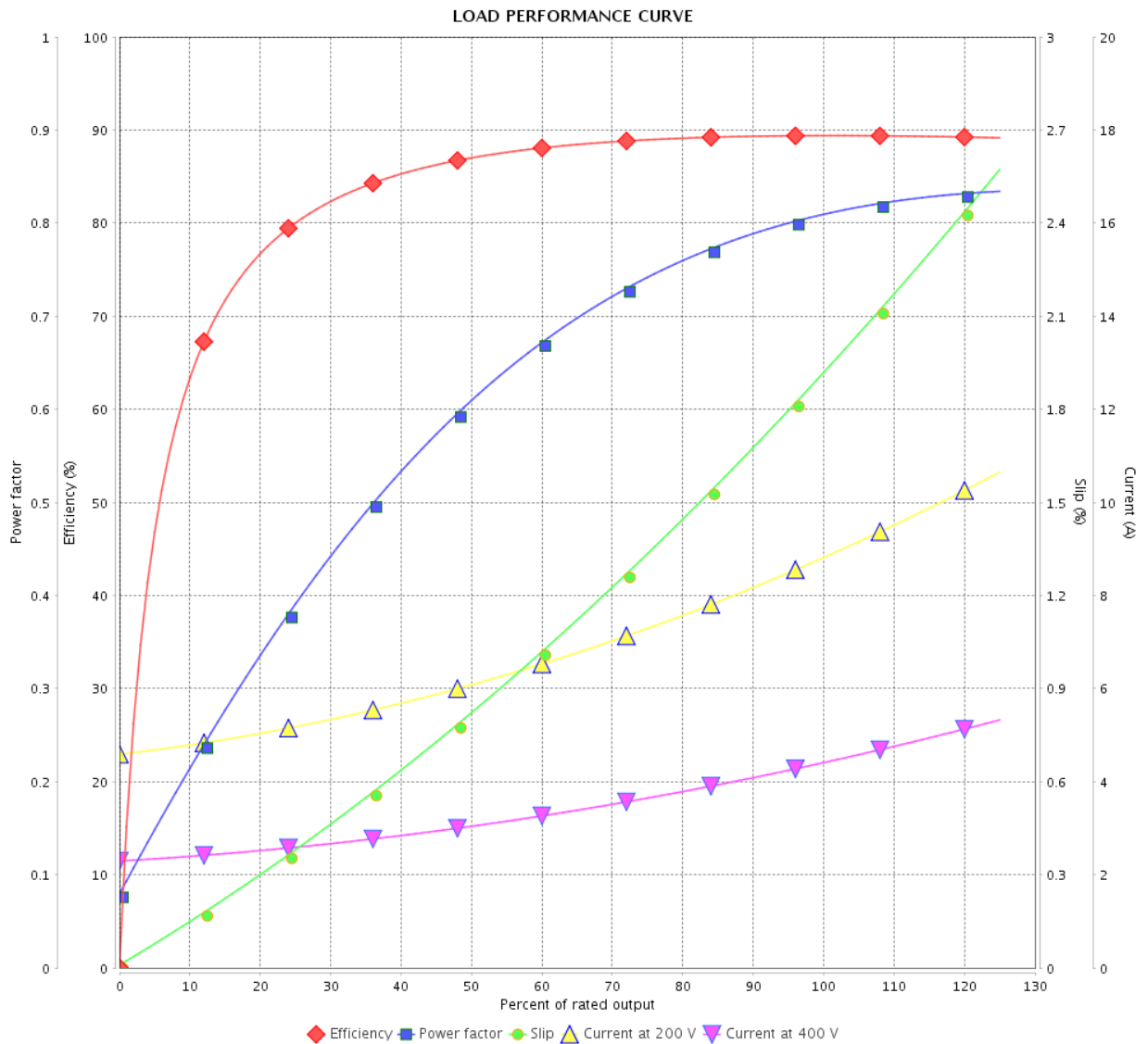


Customer :

Product line : JM Pump NEMA Premium Efficiency Three-Phase

Product code : 13413888

Catalog # : 00318ET3V182JM-S



Performance : 200/400 V 60 Hz 4P

Rated current : 8.76/4.38 A
 LRC : 8.8
 Rated torque : 8.93 ft.lb
 Locked rotor torque : 220 %
 Breakdown torque : 300 %
 Rated speed : 1765 rpm

Moment of inertia (J) : 0.4017 sq.ft.lb
 Duty cycle : Cont.(S1)
 Insulation class : F
 Service factor : 1.15
 Temperature rise : 80 K
 Design : B

Rev.	Changes Summary	Performed	Checked	Date
Performed by			Page	Revision
Checked by				
Date				

THERMAL LIMIT CURVE



Three Phase Induction Motor - Squirrel Cage

Customer :

Product line : JM Pump NEMA Premium
Efficiency Three-Phase

Product code : 13413888

Catalog # : 00318ET3V182JM-S

Performance : 200/400 V 60 Hz 4P

Rated current : 8.76/4.38 A
LRC : 8.8
Rated torque : 8.93 ft.lb
Locked rotor torque : 220 %
Breakdown torque : 300 %
Rated speed : 1765 rpm

Moment of inertia (J) : 0.4017 sq.ft.lb
Duty cycle : Cont.(S1)
Insulation class : F
Service factor : 1.15
Temperature rise : 80 K
Design : B

Heating constant

Cooling constant

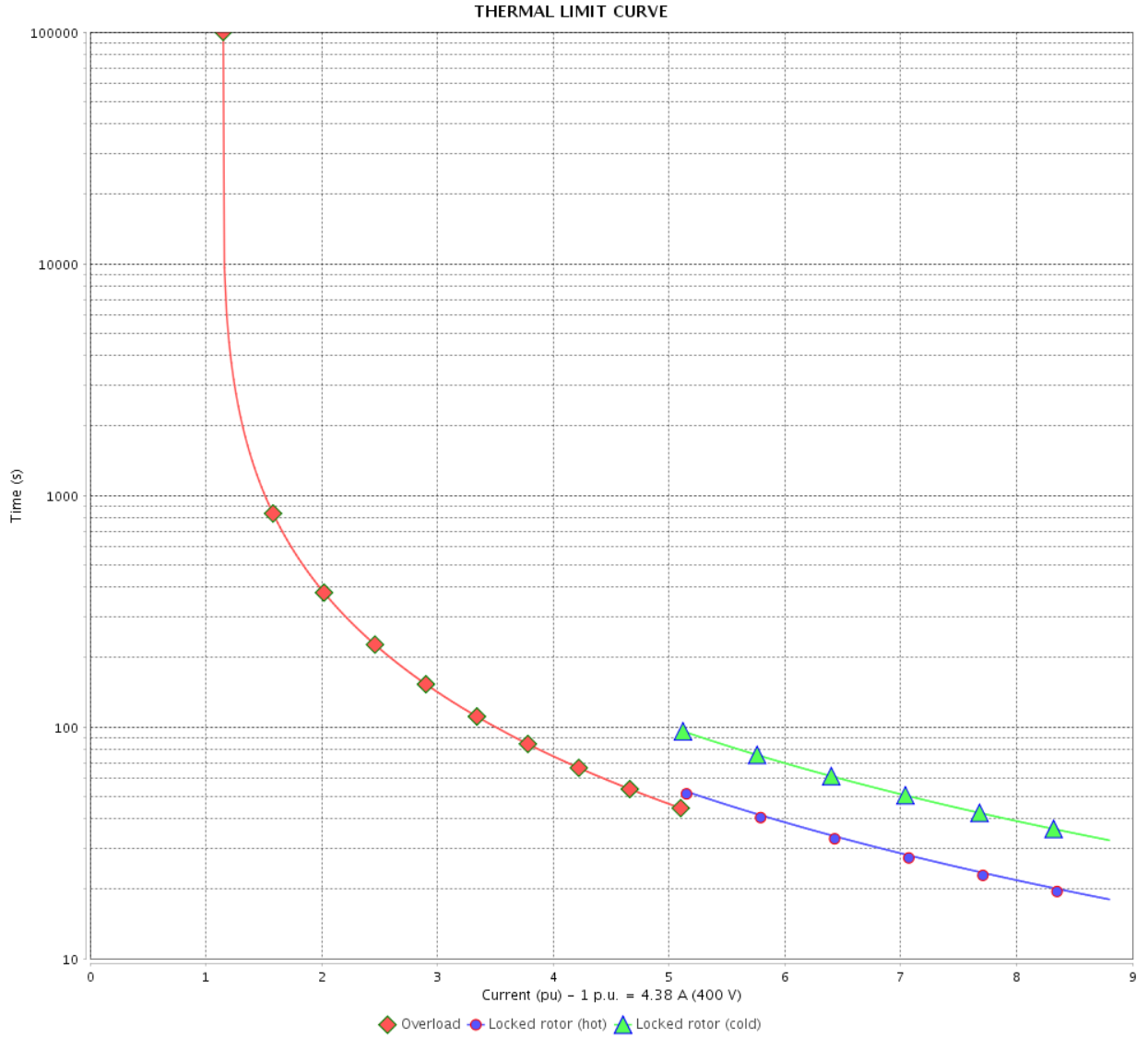
Rev.	Changes Summary	Performed	Checked	Date
Performed by				
Checked by			Page	Revision
Date	13/04/2022		4 / 6	

THERMAL LIMIT CURVE

Three Phase Induction Motor - Squirrel Cage



Customer : _____



Rev.	Changes Summary	Performed	Checked	Date
Performed by		Page 5 / 6		Revision
Checked by				
Date				

VFD OPERATION CURVE

Three Phase Induction Motor - Squirrel Cage

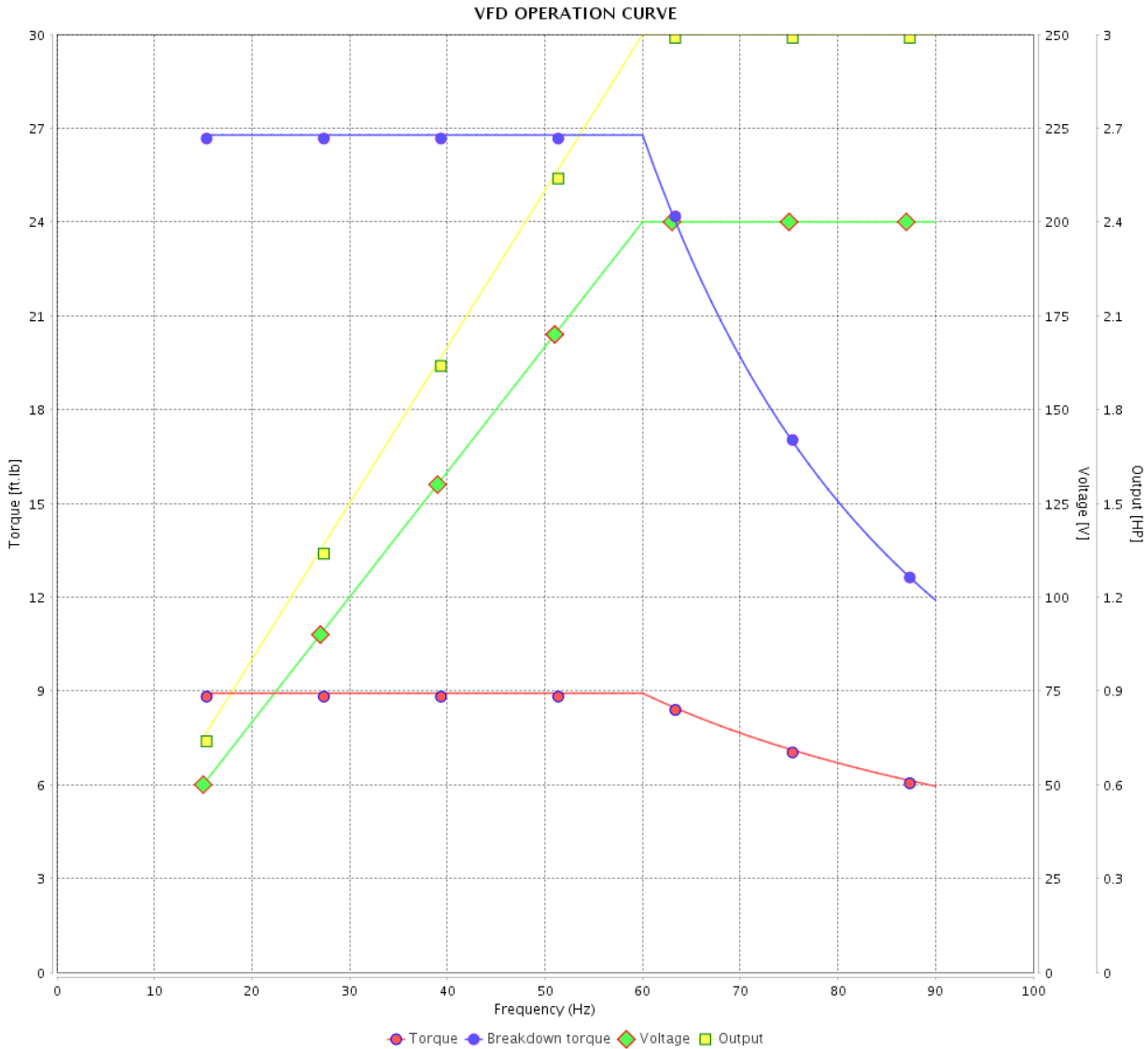


Customer :

Product line : JM Pump NEMA Premium Efficiency Three-Phase

Product code : 13413888

Catalog # : 00318ET3V182JM-S



Performance : 200/400 V 60 Hz 4P

Rated current : 8.76/4.38 A
 LRC : 8.8
 Rated torque : 8.93 ft.lb
 Locked rotor torque : 220 %
 Breakdown torque : 300 %
 Rated speed : 1765 rpm

Moment of inertia (J) : 0.4017 sq.ft.lb
 Duty cycle : Cont.(S1)
 Insulation class : F
 Service factor : 1.15
 Temperature rise : 80 K
 Design : B

Rev.	Changes Summary	Performed	Checked	Date
Performed by			Page	Revision
Checked by				
Date				

1 2 3 4 5 6

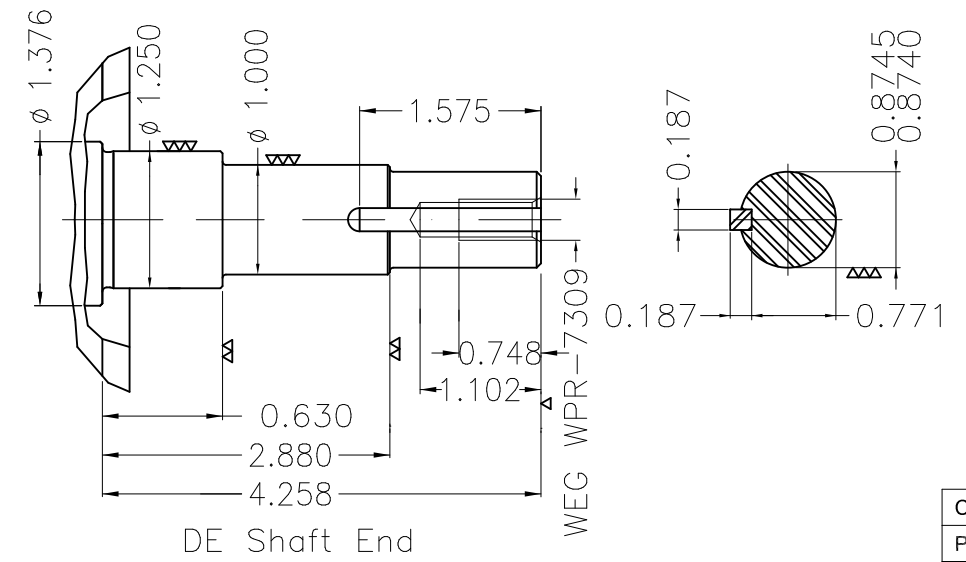
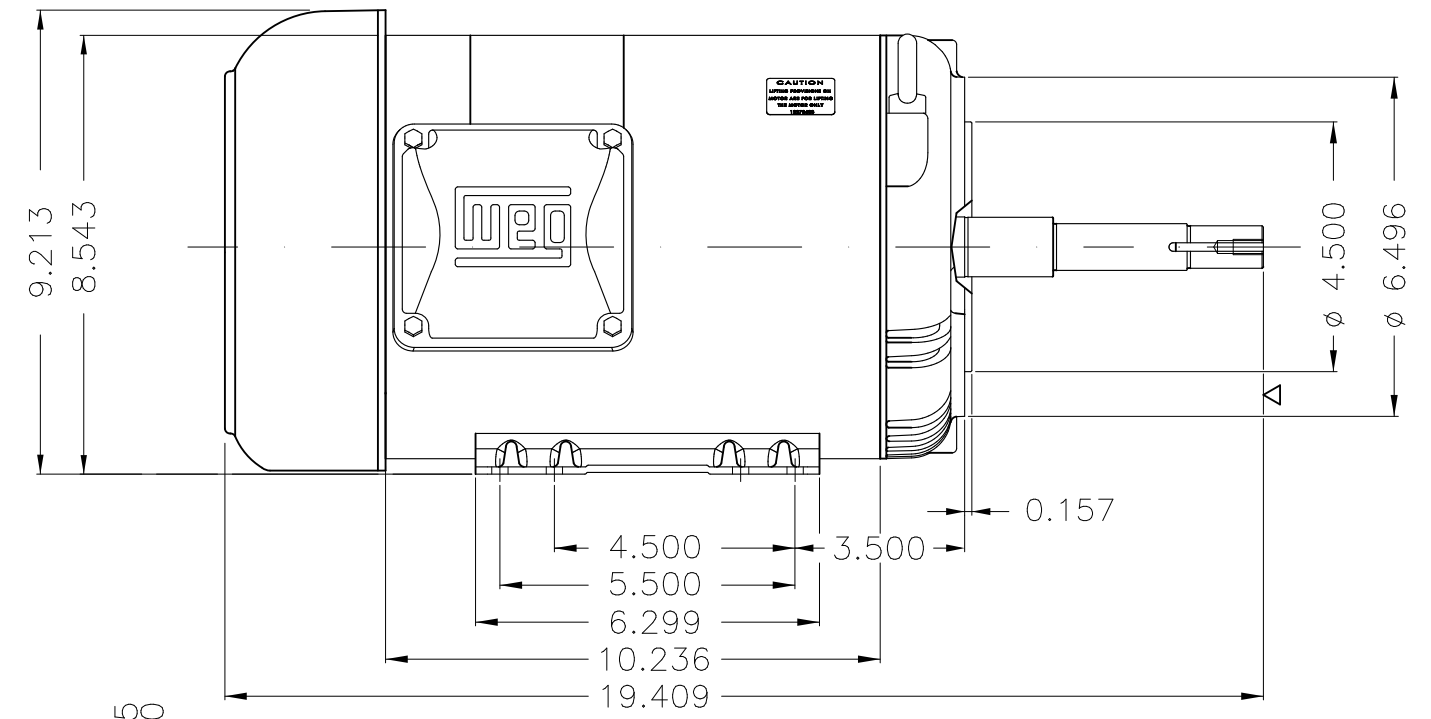
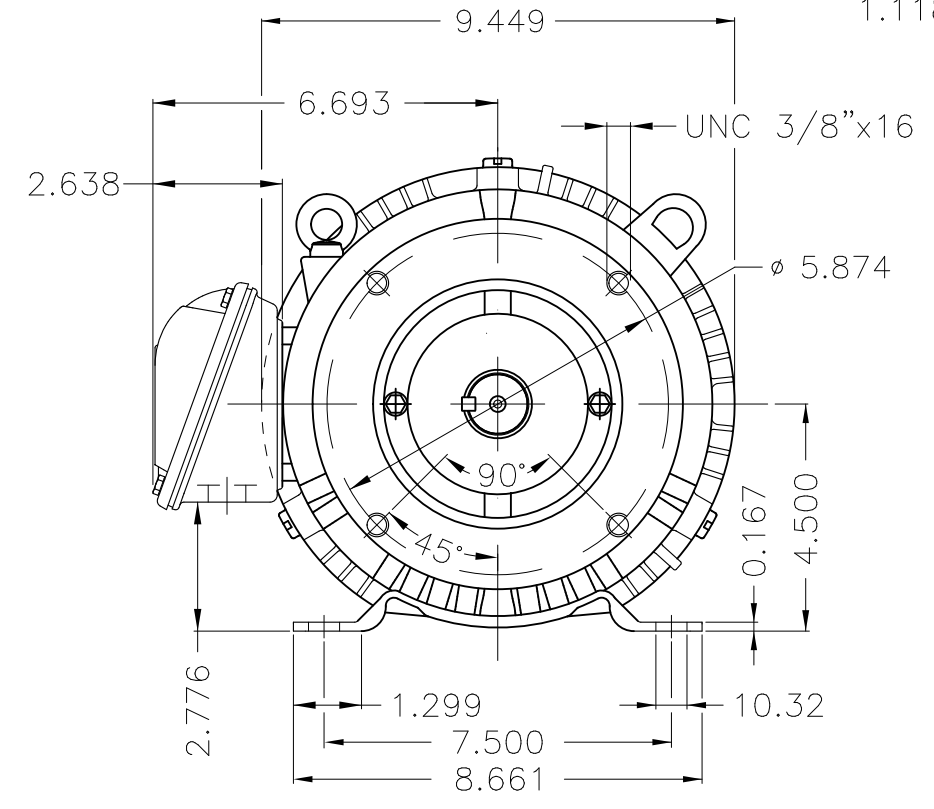
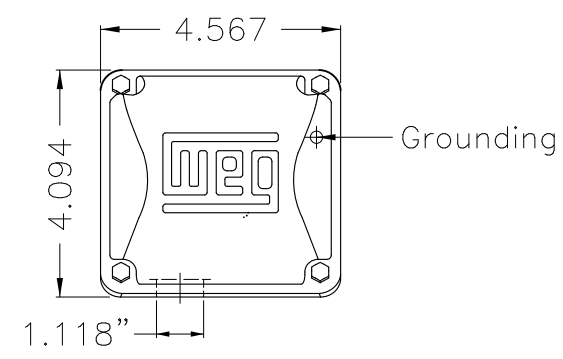
A

B

C

D

E



EUNC 3/8"-16 WEG WPR-7309

DE Shaft End

Color Munsell N 1 matte black									
Painting plan 207N									
Mounting F-1/B34R(D)									
ECM	LOC	SUMMARY OF MODIFICATIONS			EXECUTED	CHECKED	RELEASED	DATE	VER
EXECUTED	PIRWUSER	THREE PH. MOTOR ROLLED STEEL CLOSE COUPLED PUMP JM TYPE PSEF 182							
CHECKED		FRAME 182/4JM IP55 TEFC							
RELEASED									
REL DT.		WMO	Jaragua do Sul	Product Engineering					

3 HP 04 Poles 60 Hz

PREVIEW
WDD
SHEET 1 / 1





NEMA
Premium

®



3PT9

US LISTED
FOR SAFE AREA



Energy Verified

MADE IN MEXICO

MAT: 13413888 CC029A

W01.TE0IC0X0N

MODEL 00318ET3V182JM-S

22APR2022 S/N:

**For 60Hz: Class I, Zone 2, IIC
Class I, Div.2, Gr. A,B,C,D - T3**

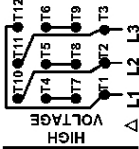
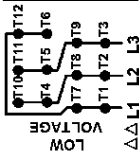
Div 2 Inverter Duty (SF1.00)

CT 2:1/VT 1000:1

PH 3	Hz 60	HP 3.0
FR 182/4JM		KW 2.2
DUTY CONT.		V 200/400
ALT 1000 m.a.s.l.		A 8.76/4.38
INS CL F AT 80K	IP55	SFA 10.1/5.04
AMB 40°C	DES B	SF 1.15
ENCL TEFC	CODE K	PF 0.81
		RPM 1765
		NEMA NOM. EFF 89.5%

For safe area-inverter duty motor For use on VPWM 1000:1 VT, 4:1 CT

DE 6207-ZZ	ODE 6205-ZZ	MOBIL POLYREX EM
------------	-------------	------------------



T1-BLU T2-WHT
 T3-ORG T4-YEL
 T5-BLK T6-GRY
 T7-PNK T8-RED
 T9-BRK RED
 T10-CURRY
 T11-GRN T12-VLT

INTERCHANGE ANY TWO LINE WIRES TO REVERSE THE ROTATION

WARNING: Motor must be grounded in accordance with local and national electrical codes to prevent serious electrical shocks. Disconnect power source before servicing unit.



AVERTISSEMENT: Le moteur doit être mis à la terre conformément aux codes électriques locaux et nationaux afin d'éviter tout choc électrique grave. Déconnectez l'alimentation avant l'entretien de la machine.

