

# DATA SHEET



## Three Phase Induction Motor - Squirrel Cage

Customer :																			
Product line	: NEMA Premium Efficiency Three-Phase																		
Product code :	12598691																		
Catalog # :	00336ET3H182JM-W22																		
Frame : 182/4JM Output : 3 HP (2.2 kW) Poles : 2 Frequency : 60 Hz Rated voltage : 575 V Rated current : 2.90 A L. R. Amperes : 25.0 A LRC : 8.6x(Code K) No load current : 1.04 A Rated speed : 3515 rpm Slip : 2.36 % Rated torque : 4.48 ft.lb Locked rotor torque : 250 % Breakdown torque : 360 % Insulation class : F Service factor : 1.25 Moment of inertia (J) : 0.1889 sq.ft.lb Design : B	Locked rotor time : 50s (cold) 28s (hot) Temperature rise : 80 K Duty cycle : Cont.(S1) Ambient temperature : -20°C to +40°C Altitude : 1000 m.a.s.l. Protection degree : IP55 Cooling method : IC411 - TEFC Mounting : F-1 Rotation <sup>1</sup> : Both (CW and CCW) Noise level <sup>2</sup> : 66.0 dB(A) Starting method : Direct On Line Approx. weight <sup>3</sup> : 89.9 lb																		
Output	25%    50%    75%    100%																		
Efficiency (%)	82.0    82.5    86.5    86.5																		
Power Factor	0.50    0.75    0.84    0.88																		
Foundation loads																			
Max. traction	: 58 lb																		
Max. compression	: 148 lb																		
	<table border="0"> <tr> <td></td> <td style="text-align: center;"><u>Drive end</u></td> <td style="text-align: center;"><u>Non drive end</u></td> </tr> <tr> <td>Bearing type</td> <td>: 6307 ZZ</td> <td>6206 ZZ</td> </tr> <tr> <td>Sealing</td> <td>: V'Ring</td> <td>V'Ring</td> </tr> <tr> <td>Lubrication interval</td> <td>: -</td> <td>-</td> </tr> <tr> <td>Lubricant amount</td> <td>: -</td> <td>-</td> </tr> <tr> <td>Lubricant type</td> <td colspan="2">: Mobil Polyrex EM</td> </tr> </table>		<u>Drive end</u>	<u>Non drive end</u>	Bearing type	: 6307 ZZ	6206 ZZ	Sealing	: V'Ring	V'Ring	Lubrication interval	: -	-	Lubricant amount	: -	-	Lubricant type	: Mobil Polyrex EM	
	<u>Drive end</u>	<u>Non drive end</u>																	
Bearing type	: 6307 ZZ	6206 ZZ																	
Sealing	: V'Ring	V'Ring																	
Lubrication interval	: -	-																	
Lubricant amount	: -	-																	
Lubricant type	: Mobil Polyrex EM																		
Notes																			
This revision replaces and cancel the previous one, which must be eliminated. (1) Looking the motor from the shaft end. (2) Measured at 1m and with tolerance of +3dB(A). (3) Approximate weight subject to changes after manufacturing process. (4) At 100% of full load.																			
These are average values based on tests with sinusoidal power supply, subject to the tolerances stipulated in NEMA MG-1.																			
Rev.	Changes Summary	Performed	Checked	Date															
Performed by																			
Checked by			Page	Revision															
Date	13/04/2022		1 / 6																

# TORQUE AND CURRENT VS SPEED CURVE

Three Phase Induction Motor - Squirrel Cage



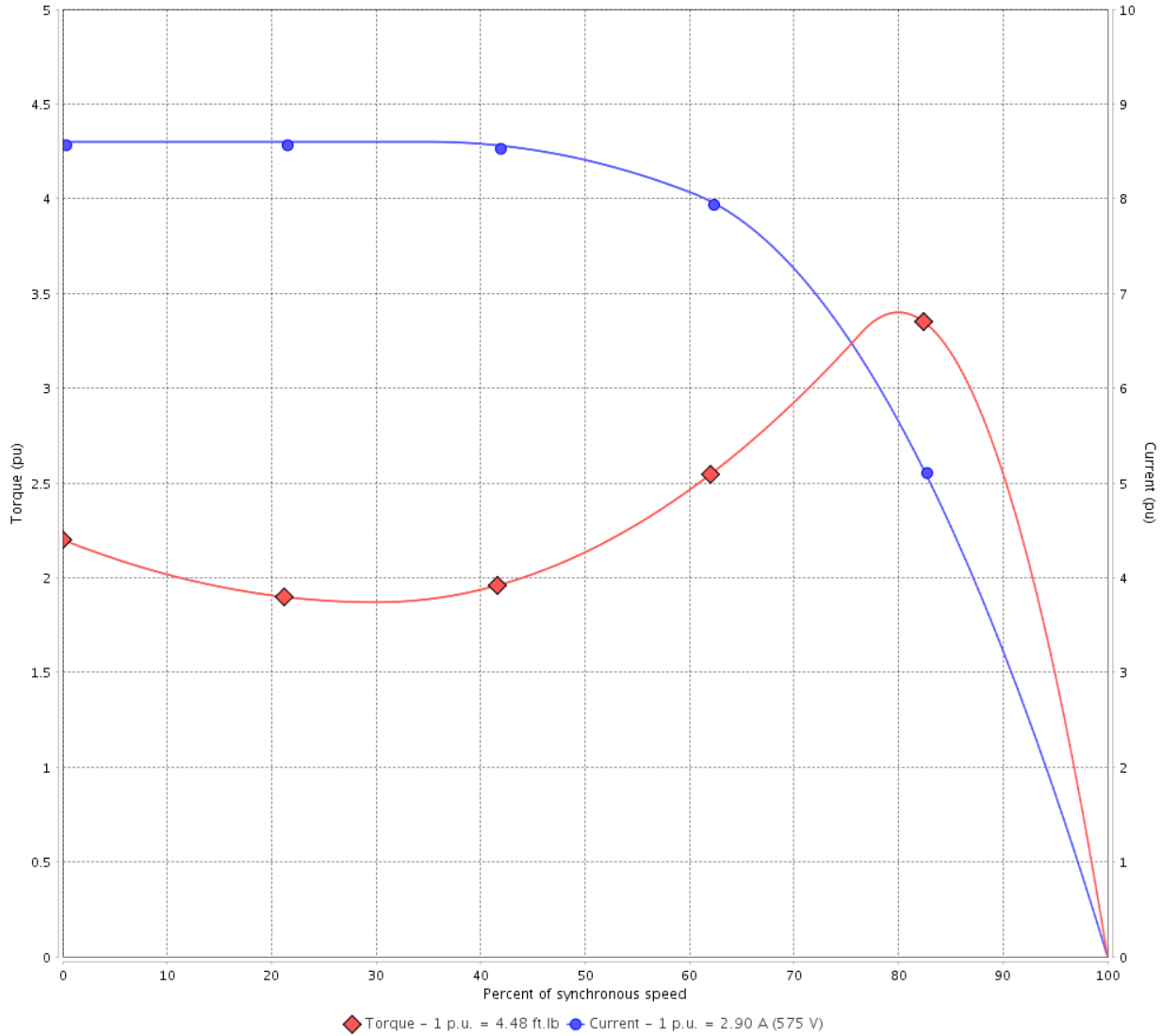
Customer :

Product line : NEMA Premium Efficiency Three-Phase

Product code : 12598691

Catalog # : 00336ET3H182JM-W22

TORQUE AND CURRENT VS SPEED CURVE



Performance : 575 V 60 Hz 2P

Rated current	: 2.90 A	Moment of inertia (J)	: 0.1889 sq.ft.lb
LRC	: 8.6	Duty cycle	: Cont.(S1)
Rated torque	: 4.48 ft.lb	Insulation class	: F
Locked rotor torque	: 250 %	Service factor	: 1.25
Breakdown torque	: 360 %	Temperature rise	: 80 K
Rated speed	: 3515 rpm	Design	: B

Locked rotor time : 50s (cold) 28s (hot)

Rev.	Changes Summary	Performed	Checked	Date
Performed by			Page 2 / 6	Revision
Checked by				
Date	13/04/2022			

# LOAD PERFORMANCE CURVE

## Three Phase Induction Motor - Squirrel Cage

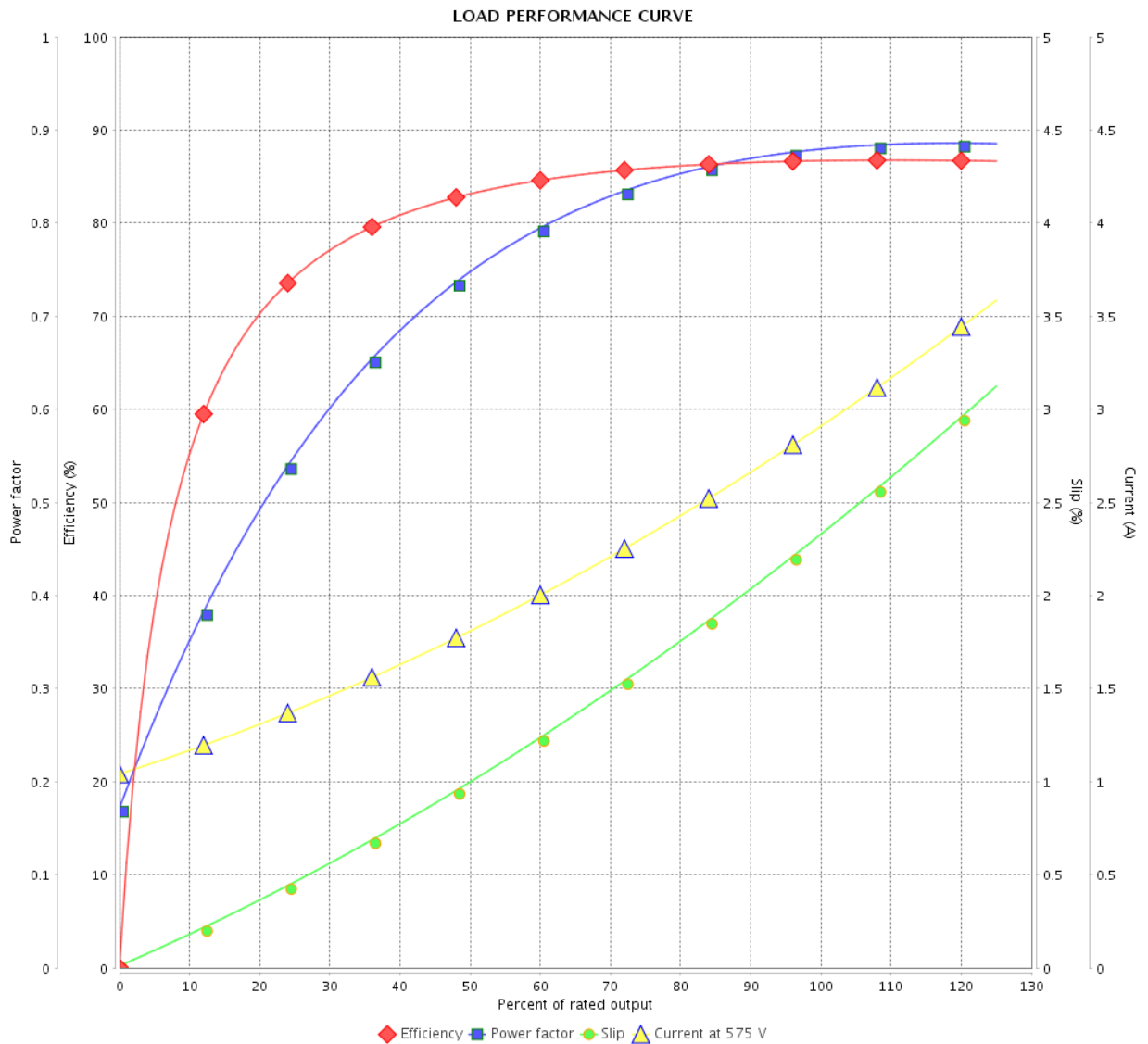


Customer : \_\_\_\_\_

Product line : NEMA Premium Efficiency Three-Phase

Product code : 12598691

Catalog # : 00336ET3H182JM-W22



Performance : 575 V 60 Hz 2P

Rated current : 2.90 A  
 LRC : 8.6  
 Rated torque : 4.48 ft.lb  
 Locked rotor torque : 250 %  
 Breakdown torque : 360 %  
 Rated speed : 3515 rpm

Moment of inertia (J) : 0.1889 sq.ft.lb  
 Duty cycle : Cont.(S1)  
 Insulation class : F  
 Service factor : 1.25  
 Temperature rise : 80 K  
 Design : B

Rev.	Changes Summary	Performed	Checked	Date
Performed by		Page		Revision
Checked by		3 / 6		
Date		13/04/2022		

# THERMAL LIMIT CURVE

## Three Phase Induction Motor - Squirrel Cage



Customer :

Product line : NEMA Premium Efficiency Three-Phase  
Product code : 12598691  
Catalog # : 00336ET3H182JM-W22

Performance : 575 V 60 Hz 2P

Rated current	: 2.90 A	Moment of inertia (J)	: 0.1889 sq.ft.lb
LRC	: 8.6	Duty cycle	: Cont.(S1)
Rated torque	: 4.48 ft.lb	Insulation class	: F
Locked rotor torque	: 250 %	Service factor	: 1.25
Breakdown torque	: 360 %	Temperature rise	: 80 K
Rated speed	: 3515 rpm	Design	: B

Heating constant

Cooling constant

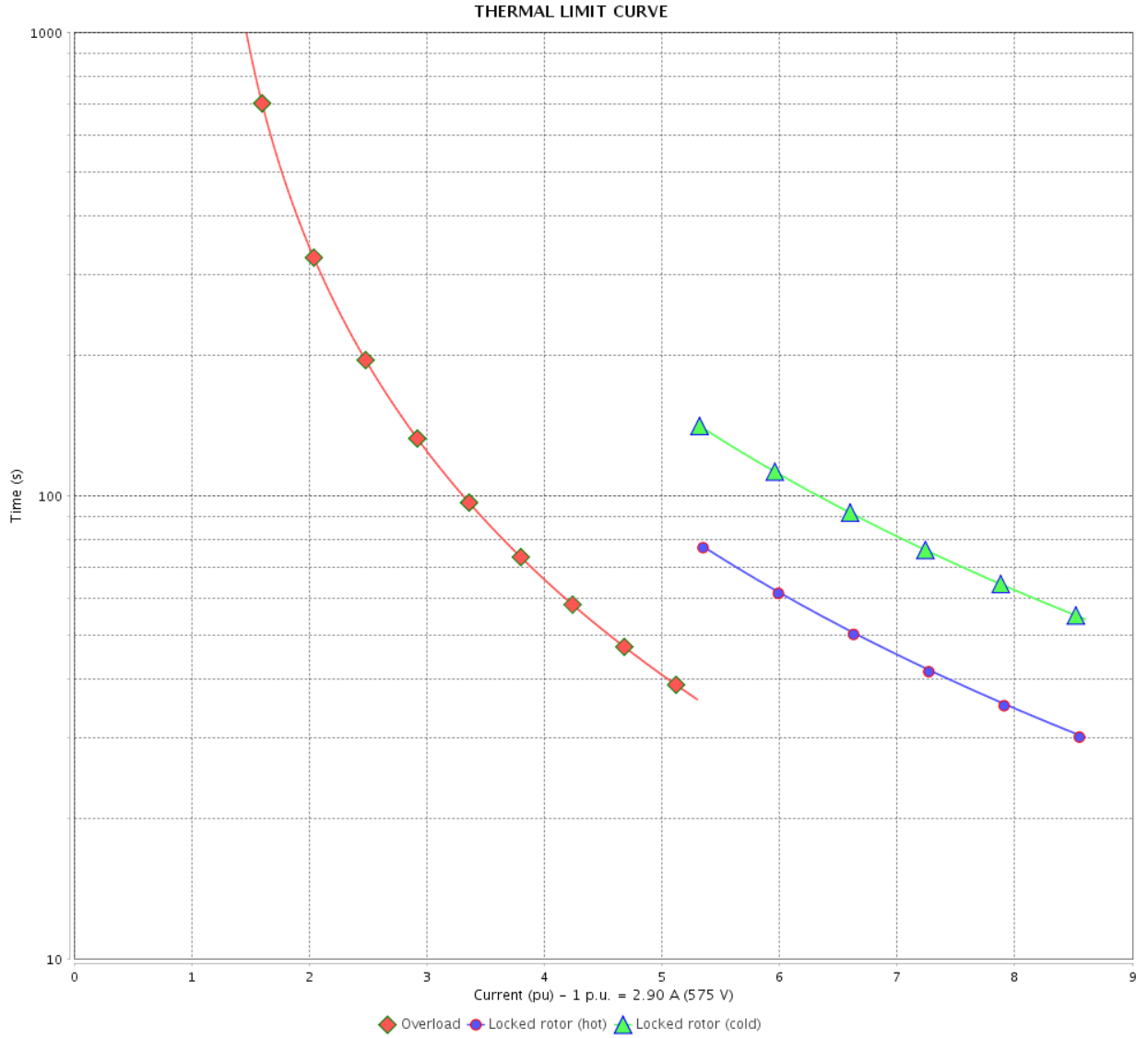
Rev.	Changes Summary	Performed	Checked	Date
Performed by				
Checked by			Page	Revision
Date	13/04/2022		4 / 6	

# THERMAL LIMIT CURVE

Three Phase Induction Motor - Squirrel Cage



Customer : \_\_\_\_\_



Rev.	Changes Summary	Performed	Checked	Date
Performed by		Page 5 / 6		Revision
Checked by				
Date				

# VFD OPERATION CURVE

Three Phase Induction Motor - Squirrel Cage

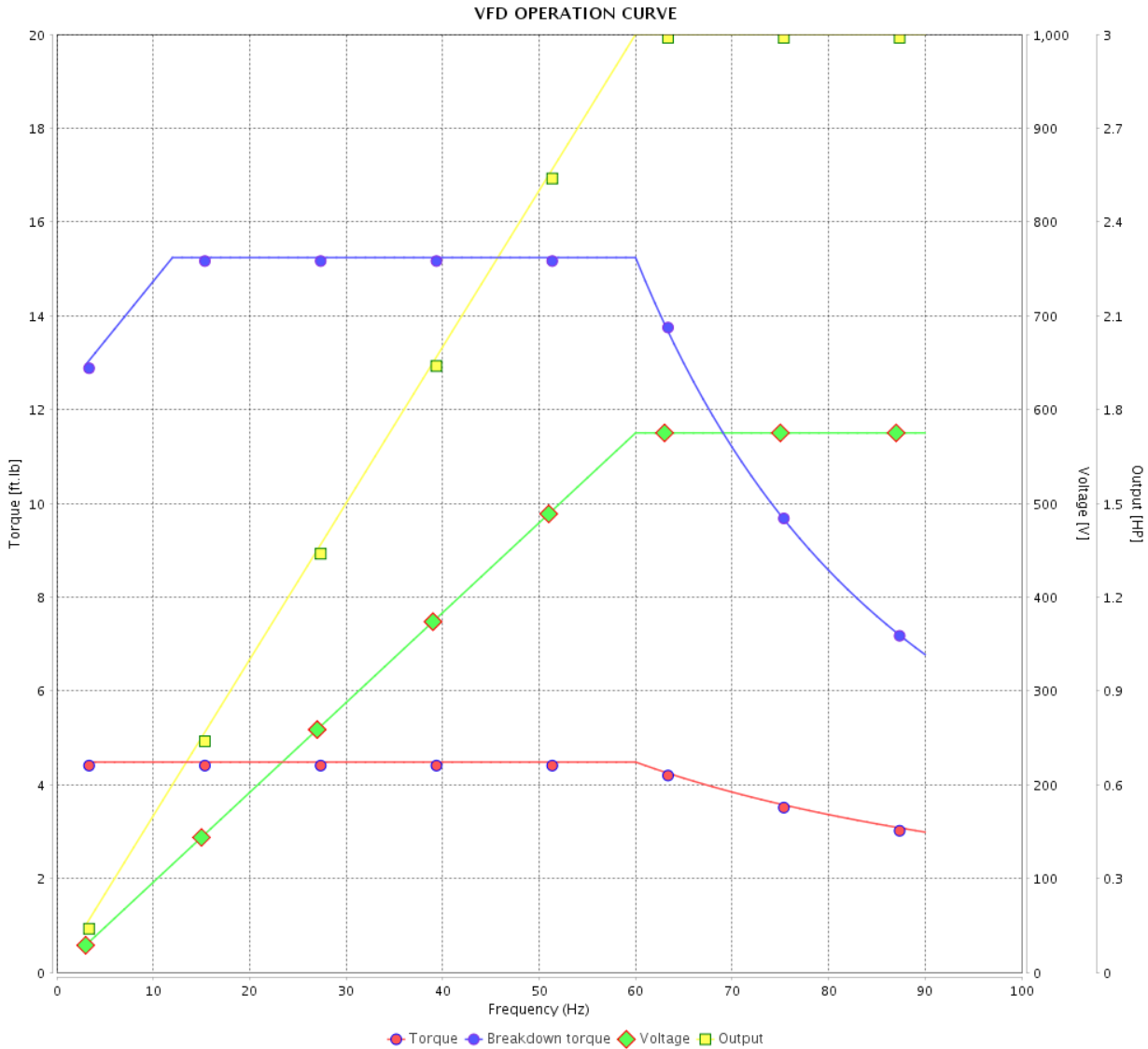


Customer : \_\_\_\_\_

Product line : NEMA Premium Efficiency Three-Phase

Product code : 12598691

Catalog # : 00336ET3H182JM-W22



Performance : 575 V 60 Hz 2P

Rated current : 2.90 A  
 LRC : 8.6  
 Rated torque : 4.48 ft.lb  
 Locked rotor torque : 250 %  
 Breakdown torque : 360 %  
 Rated speed : 3515 rpm

Moment of inertia (J) : 0.1889 sq.ft.lb  
 Duty cycle : Cont.(S1)  
 Insulation class : F  
 Service factor : 1.25  
 Temperature rise : 80 K  
 Design : B

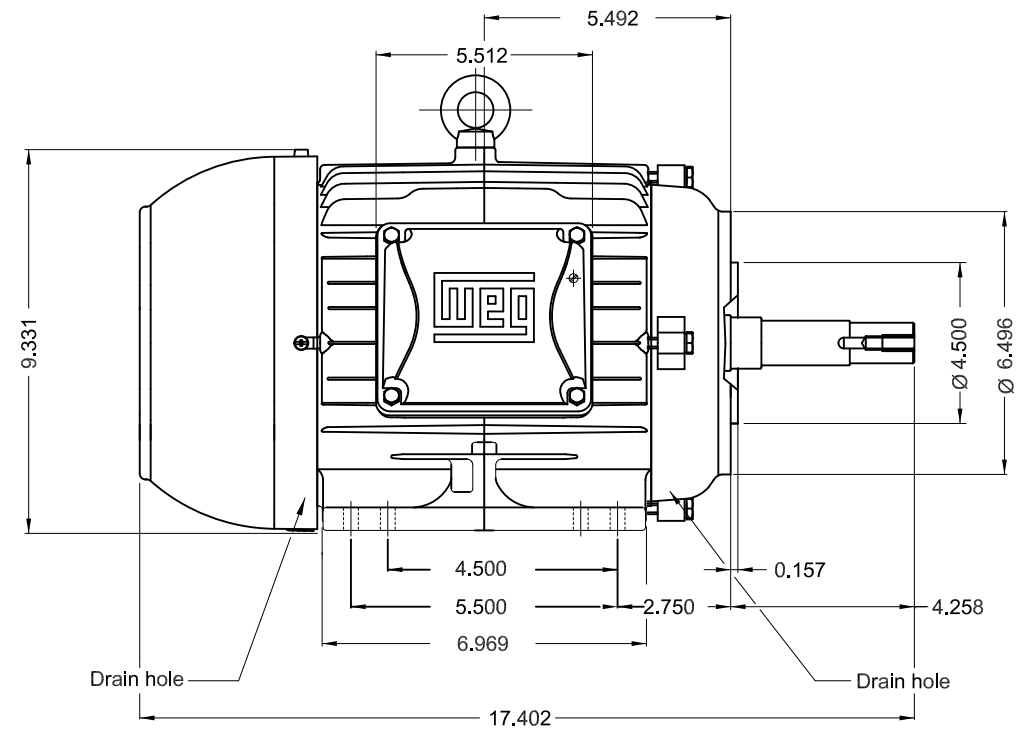
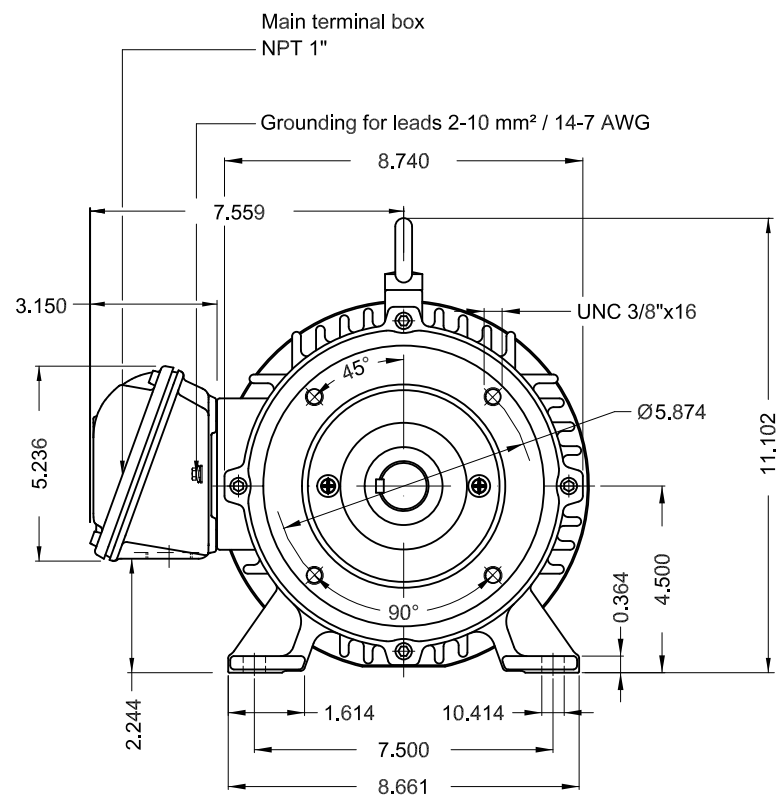
Rev.	Changes Summary	Performed	Checked	Date
Performed by			Page 6 / 6	Revision
Checked by				
Date	13/04/2022			

1 2 3 4 5 6

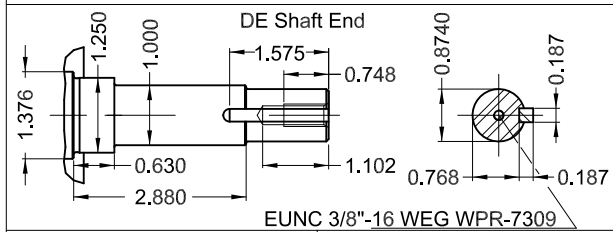
A

B

C



D



E

Color RAL 5009  
 Painting plan 207A  
 Mounting NEMA F-1  
 Mounting B34R(D)

3 HP 02 Poles 60 Hz

A

ECM	LOC	SUMMARY OF MODIFICATIONS	EXECUTED	CHECKED	RELEASED	DATE	VER
EXECUTED	PIRWBUSER	THREE PH. MOTOR JM/JP/JET PUMP W22 PREM. EFF.					
CHECKED		FRAME 182/4JM IP55 TEFC					
RELEASED							
REL DT.	WMO	Jaragua do Sul	Product Engineering	SHEET	1 / 1		

PREVIEW  
 WDD

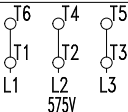


**W22**  
CC029A**NEMA Premium**® Inverter Duty Motor  
Severe Duty

12598691

MADE IN BRAZIL JM003502NPW22

PH 3	FR 182/4JM	HP(kw) 3.0(2.2)	Hz 60	SF 1.25	PF 0.88
V 575	A 2.90	RPM 3515	INS. CL.F	ΔT 80 K	
NEMA NOM EFF 86.5 %			DES B	DUTY CONT.	
ENCL TEFC			IP55	SFA 3.63	ALT 1000 m.a.s.l.
					CODE K



MOBIL POLYREX EM

88 Lbs

Class I, Div 2, Gr. A, B, C and D - T3  
 Class I, Zone 2, IIC - T3  
 Class II, Div 2, Gr. F and G - T5

For use on PWM, Gr. A, B, C, D, F and G  
 VT1000:1, CT20:1, 1.0SF, T4A



FOR SAFE AREA  
 MOD.TE1BFOXON