



# TORQUE AND CURRENT VS SPEED CURVE

## Three Phase Induction Motor - Squirrel Cage

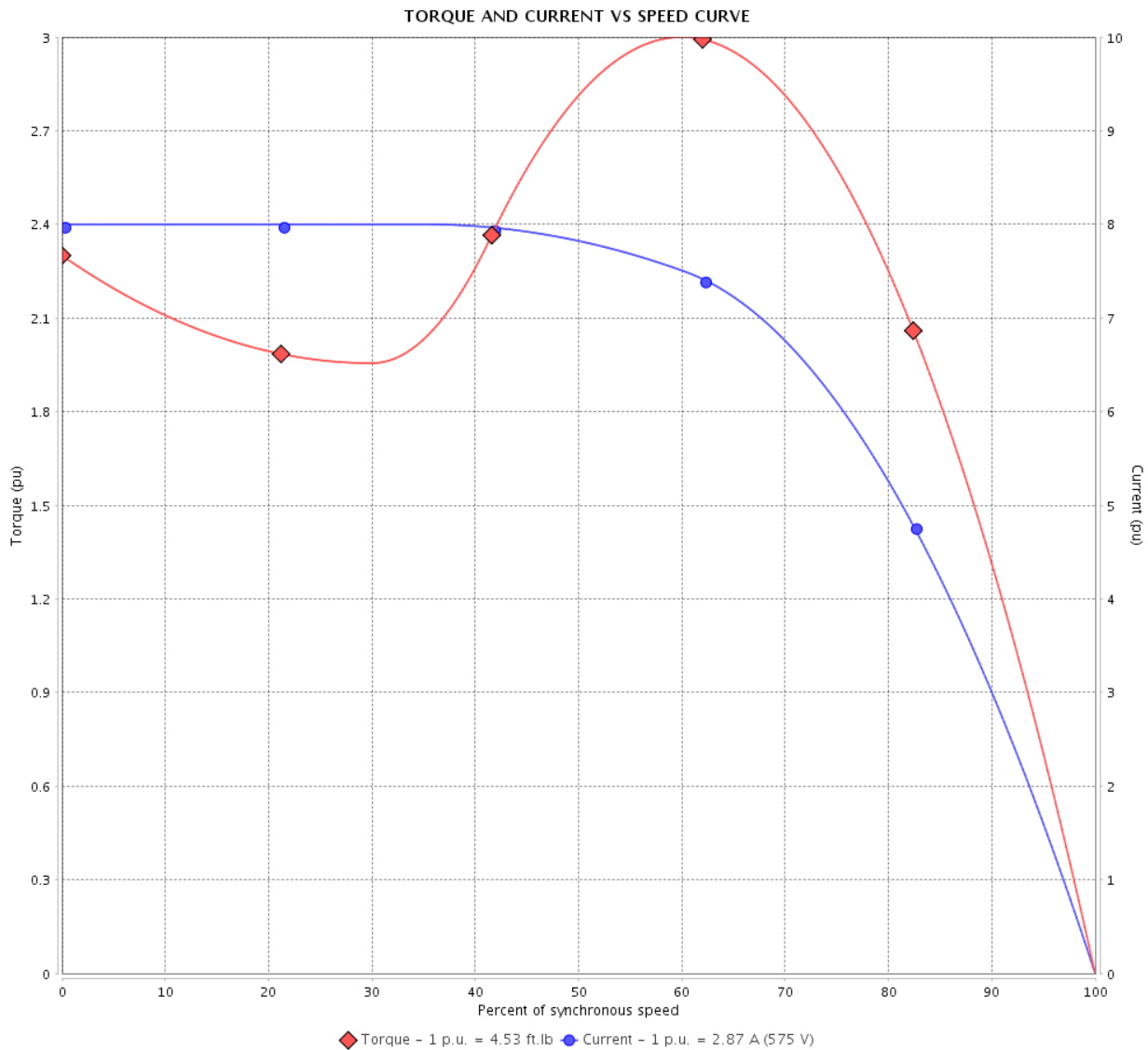


Customer :

Product line : JM Pump NEMA Premium  
Efficiency Three-Phase

Product code : 14327877

Catalog # : 003360T3H145JM-SG



Performance : 575 V 60 Hz 2P

Rated current	: 2.87 A	Moment of inertia (J)	: 0.1279 sq.ft.lb
LRC	: 8.0	Duty cycle	: Cont.(S1)
Rated torque	: 4.53 ft.lb	Insulation class	: F
Locked rotor torque	: 229 %	Service factor	: 1.15
Breakdown torque	: 300 %	Temperature rise	: 80 K
Rated speed	: 3480 rpm	Design	: B

Locked rotor time : 16s (cold) 9s (hot)

Rev.	Changes Summary	Performed	Checked	Date
Performed by			Page 2 / 6	Revision
Checked by				
Date	13/04/2022			

# LOAD PERFORMANCE CURVE

## Three Phase Induction Motor - Squirrel Cage

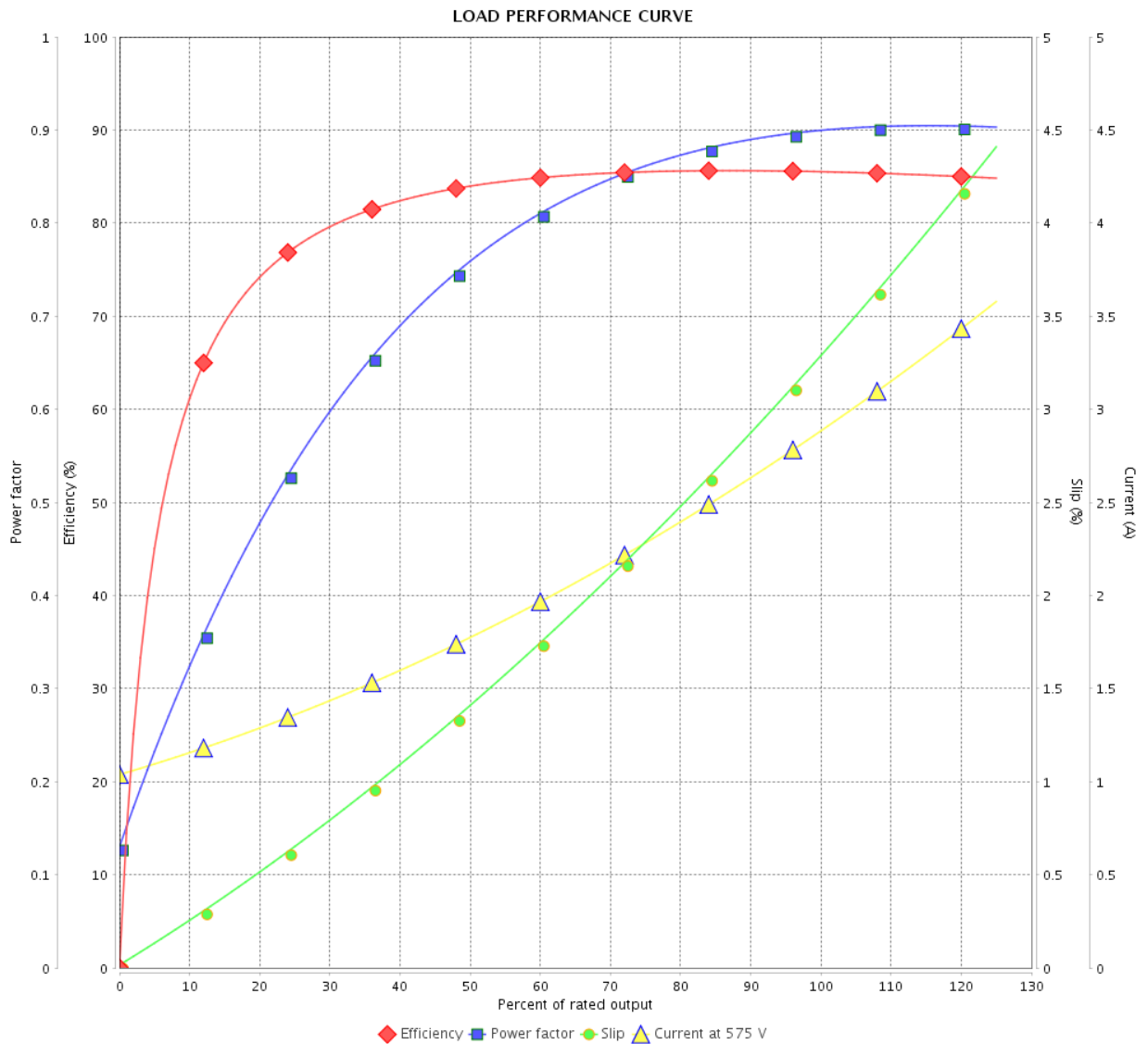


Customer : \_\_\_\_\_

Product line : JM Pump NEMA Premium Efficiency Three-Phase

Product code : 14327877

Catalog # : 00336OT3H145JM-SG



Performance : 575 V 60 Hz 2P

Rated current : 2.87 A  
 LRC : 8.0  
 Rated torque : 4.53 ft.lb  
 Locked rotor torque : 229 %  
 Breakdown torque : 300 %  
 Rated speed : 3480 rpm

Moment of inertia (J) : 0.1279 sq.ft.lb  
 Duty cycle : Cont.(S1)  
 Insulation class : F  
 Service factor : 1.15  
 Temperature rise : 80 K  
 Design : B

Rev.	Changes Summary	Performed	Checked	Date
Performed by		Page		Revision
Checked by		3 / 6		
Date		13/04/2022		

# THERMAL LIMIT CURVE



## Three Phase Induction Motor - Squirrel Cage

Customer :

Product line : JM Pump NEMA Premium  
Efficiency Three-Phase

Product code : 14327877

Catalog # : 00336OT3H145JM-SG

Performance : 575 V 60 Hz 2P

Rated current : 2.87 A  
LRC : 8.0  
Rated torque : 4.53 ft.lb  
Locked rotor torque : 229 %  
Breakdown torque : 300 %  
Rated speed : 3480 rpm

Moment of inertia (J) : 0.1279 sq.ft.lb  
Duty cycle : Cont.(S1)  
Insulation class : F  
Service factor : 1.15  
Temperature rise : 80 K  
Design : B

Heating constant

Cooling constant

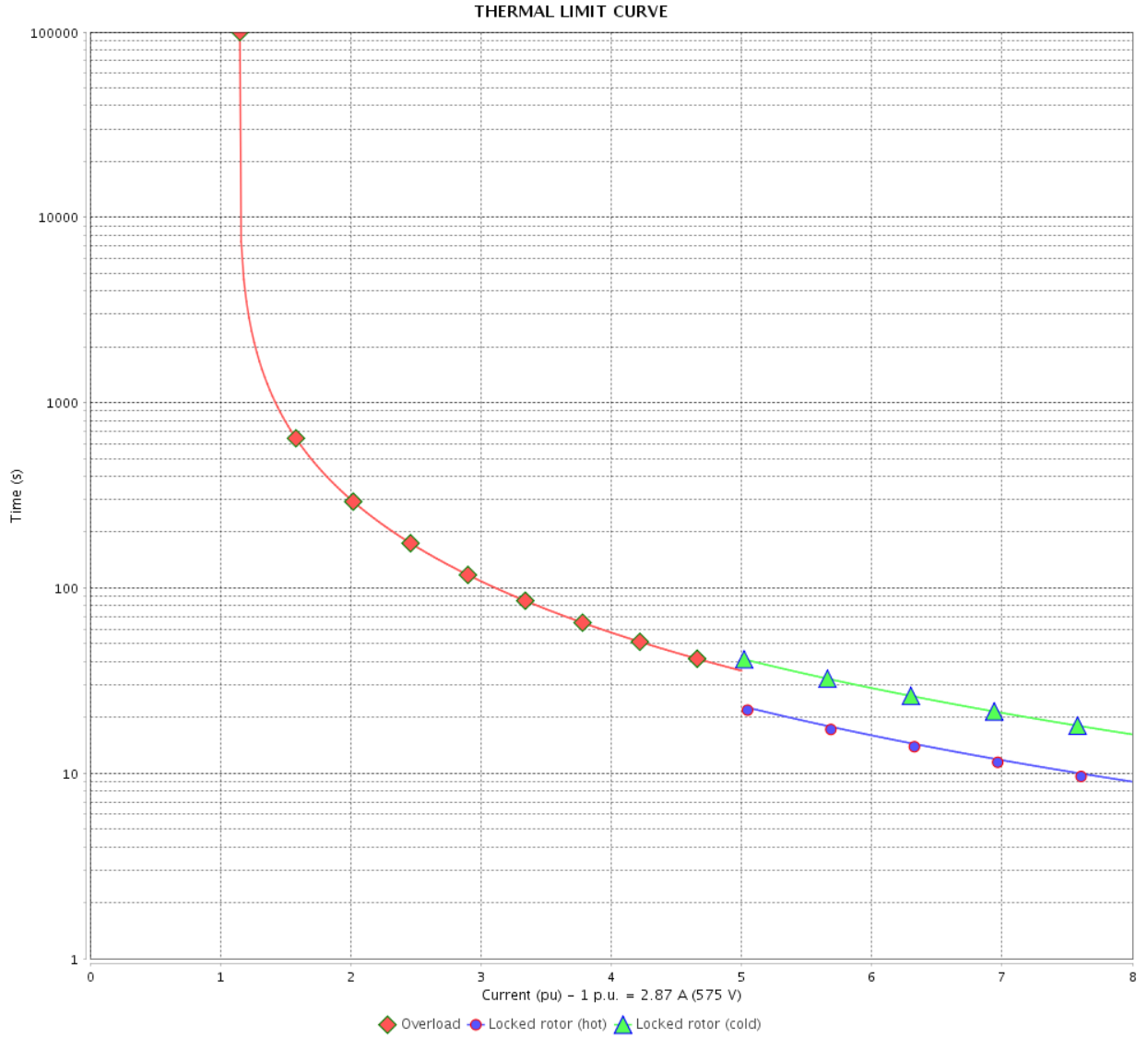
Rev.	Changes Summary	Performed	Checked	Date
Performed by				
Checked by			Page	Revision
Date	13/04/2022		4 / 6	

# THERMAL LIMIT CURVE

Three Phase Induction Motor - Squirrel Cage



Customer : \_\_\_\_\_



Rev.	Changes Summary	Performed	Checked	Date
Performed by		Page      Revision 5 / 6		
Checked by				
Date				

# VFD OPERATION CURVE

Three Phase Induction Motor - Squirrel Cage

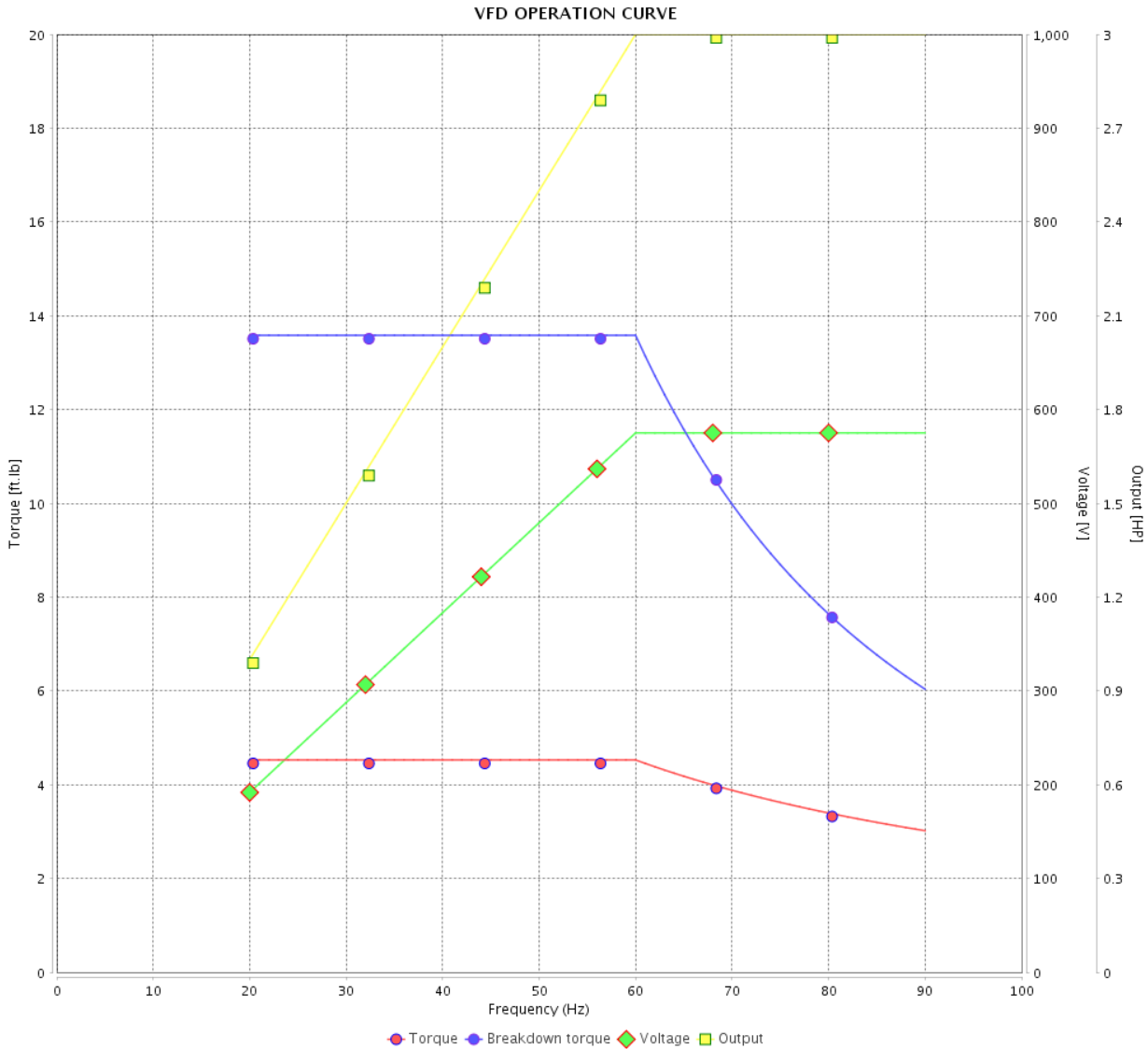


Customer :

Product line : JM Pump NEMA Premium Efficiency Three-Phase

Product code : 14327877

Catalog # : 00336OT3H145JM-SG



Performance : 575 V 60 Hz 2P

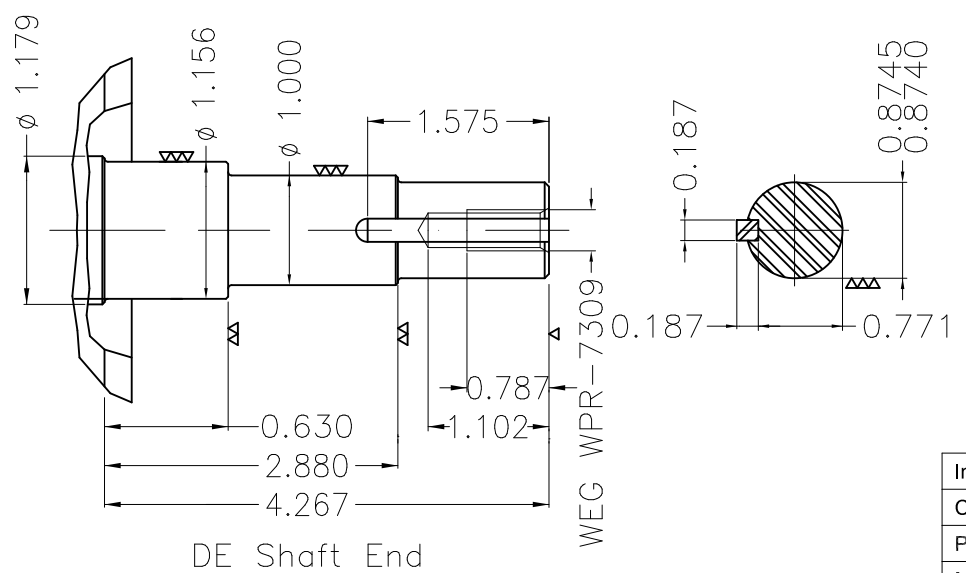
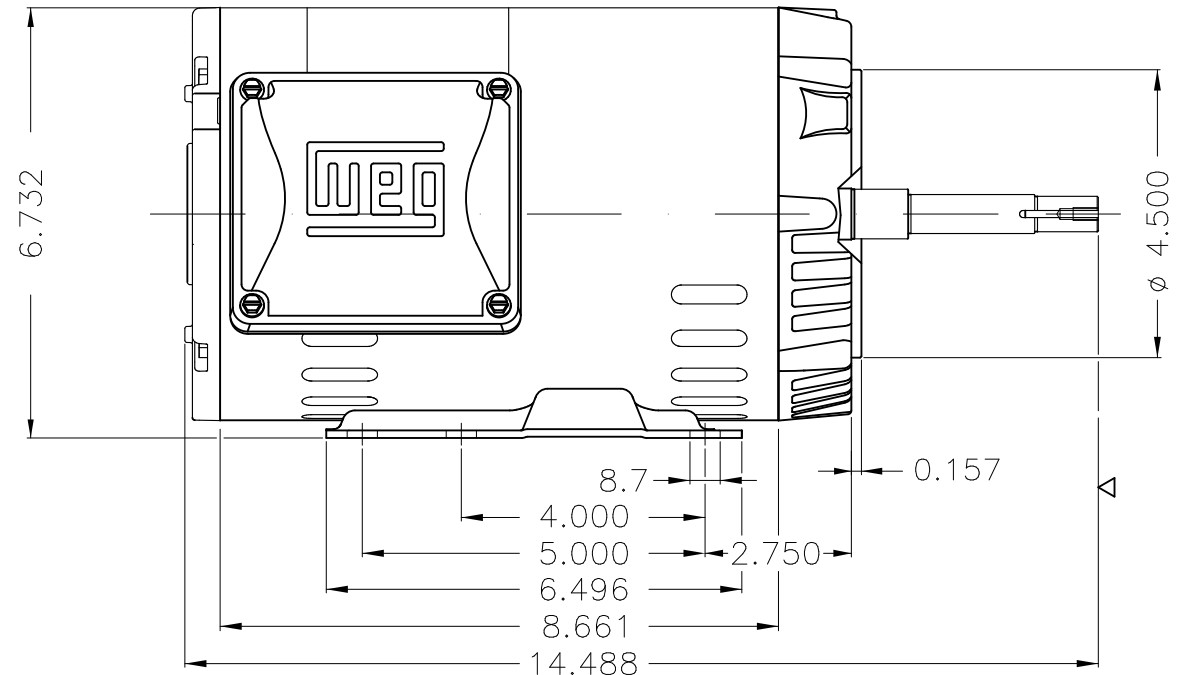
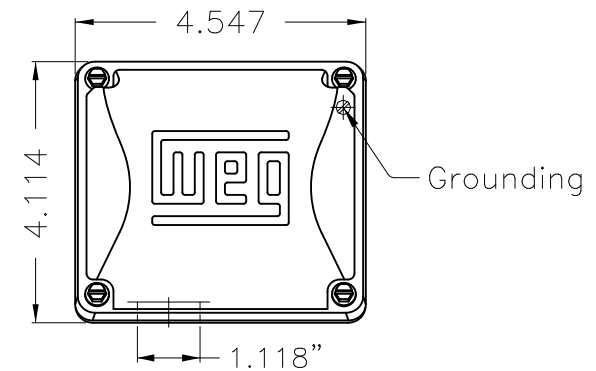
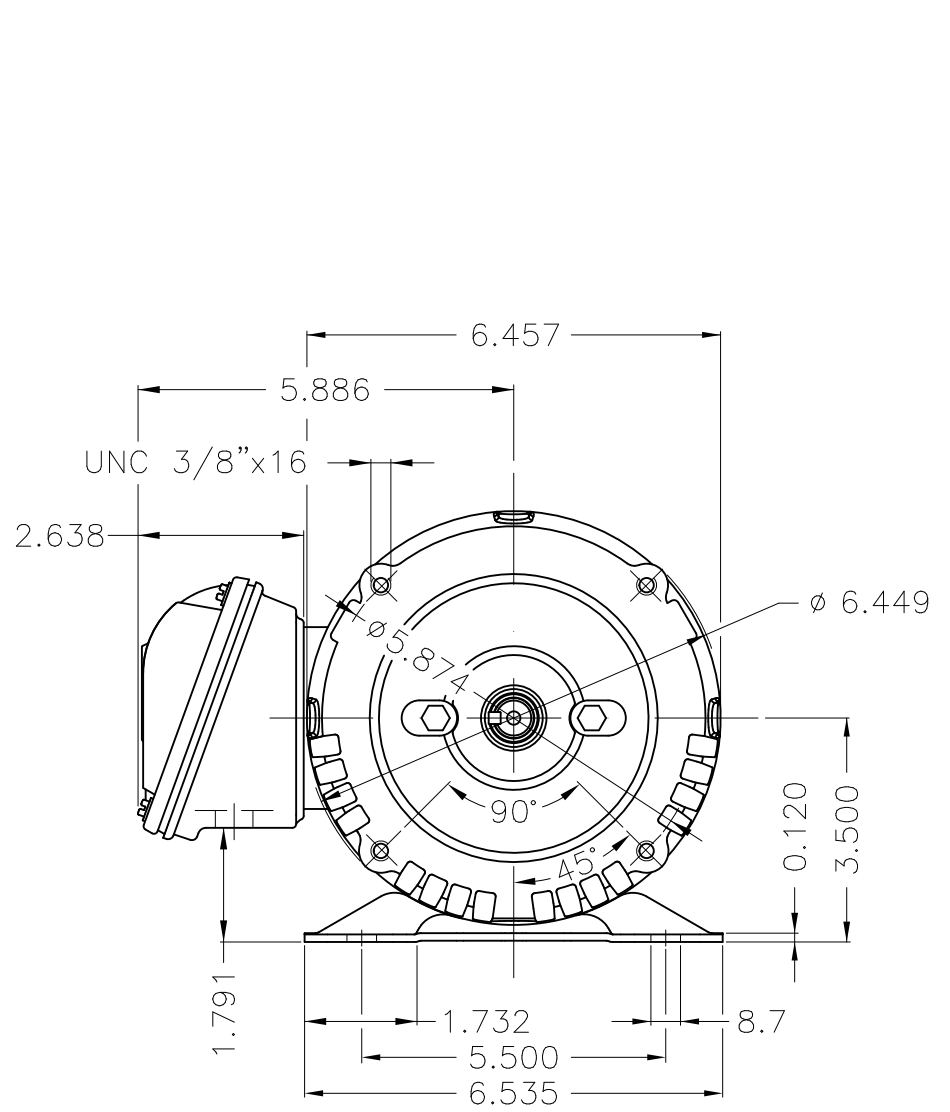
Rated current : 2.87 A  
 LRC : 8.0  
 Rated torque : 4.53 ft.lb  
 Locked rotor torque : 229 %  
 Breakdown torque : 300 %  
 Rated speed : 3480 rpm

Moment of inertia (J) : 0.1279 sq.ft.lb  
 Duty cycle : Cont.(S1)  
 Insulation class : F  
 Service factor : 1.15  
 Temperature rise : 80 K  
 Design : B

Rev.	Changes Summary	Performed	Checked	Date
Performed by			Page 6 / 6	Revision
Checked by				
Date	13/04/2022			

1 2 3 4 5 6

A  
B  
C  
D  
E



EUNC 3/8" - 16 WEG WPR-7309

DE Shaft End

Internal AEGIS ground ring on the DE  
 Color Munsell N 1 matte black  
 Painting plan 207N  
 Mounting F-1/B34R(D)

ECM	LOC	SUMMARY OF MODIFICATIONS	EXECUTED	CHECKED	RELEASED	DATE	VER
EXECUTED	PIRWUSER	THREE PH. MOTOR ROLLED STEEL CLOSE COUPLED PUMP JN TYPE PSE 1/2					
CHECKED		FRAME 143/5JM IP21 ODP					
RELEASED							
REL DT.		WMO Jaragua do Sul					

3 HP 02 Poles 60 Hz

Product Engineering SHEET 1 / 1



Dimensions in inches XME A3