

DATA SHEET

Three Phase Induction Motor - Squirrel Cage



Customer :				
Product line	: JM Pump NEMA Premium Efficiency Three-Phase	Product code :	13482596	
		Catalog # :	00512OT3E215JMV-S	
Frame	: 213/5JM	Cooling method	: IC01 - ODP	
Insulation class	: F	Mounting	: W-6	
Duty cycle	: Cont.(S1)	Rotation ¹	: Both (CW and CCW)	
Ambient temperature	: -20°C to +40°C	Starting method	: Direct On Line	
Altitude	: 1000 m.a.s.l.	Approx. weight ²	: 134 lb	
Design	: B	Moment of inertia (J)	: 1.08 sq.ft.lb	
Output [HP]	5	5	5	
Poles	6	6	6	
Frequency [Hz]	60	50	50	
Rated voltage [V]	230/460	190/380	220/415	
Rated current [A]	13.5/6.74	16.3/8.16	14.8/7.86	
L. R. Amperes [A]	79.5/39.8	73.4/36.7	74.1/39.3	
LRC [A]	5.9x(Code H)	4.5x(Code E)	5.0x(Code F)	
No load current [A]	7.10/3.55	7.00/3.50	7.21/3.82	
Rated speed [RPM]	1175	960	965	
Slip [%]	2.08	4.00	3.50	
Rated torque [ft.lb]	22.3	27.4	27.2	
Locked rotor torque [%]	220	160	190	
Breakdown torque [%]	250	190	210	
Service factor	1.15	1.15	1.15	
Temperature rise	80 K	80 K	80 K	
Locked rotor time	52s (cold) 29s (hot)	0s (cold) 0s (hot)	0s (cold) 0s (hot)	
Noise level ²	55.0 dB(A)	53.0 dB(A)	53.0 dB(A)	
Efficiency (%)	25%	88.3	88.0	
	50%	88.5	87.0	
	75%	89.5	87.4	
	100%	89.5	86.0	
Power Factor	25%	0.34	0.36	
	50%	0.58	0.61	
	75%	0.70	0.73	
	100%	0.77	0.79	
Bearing type	: <u>Drive end</u> 6209 ZZ <u>Non drive end</u> 6206 ZZ	Foundation loads		
Sealing	: Without Without Bearing Seal Bearing Seal	Max. traction	: 255 lb	
		Max. compression	: 389 lb	
Lubrication interval	: - -			
Lubricant amount	: - -			
Lubricant type	: Mobil Polyrex EM			
Notes USABLE @208V 14.9A SF 1.00 SFA 14.9A				
This revision replaces and cancel the previous one, which must be eliminated. (1) Looking the motor from the shaft end. (2) Measured at 1m and with tolerance of +3dB(A). (3) Approximate weight subject to changes after manufacturing process. (4) At 100% of full load.		These are average values based on tests with sinusoidal power supply, subject to the tolerances stipulated in NEMA MG-1.		
Rev.	Changes Summary	Performed	Checked	Date
Performed by				
Checked by			Page	Revision
Date	12/04/2022		1 / 16	

TORQUE AND CURRENT VS SPEED CURVE

Three Phase Induction Motor - Squirrel Cage



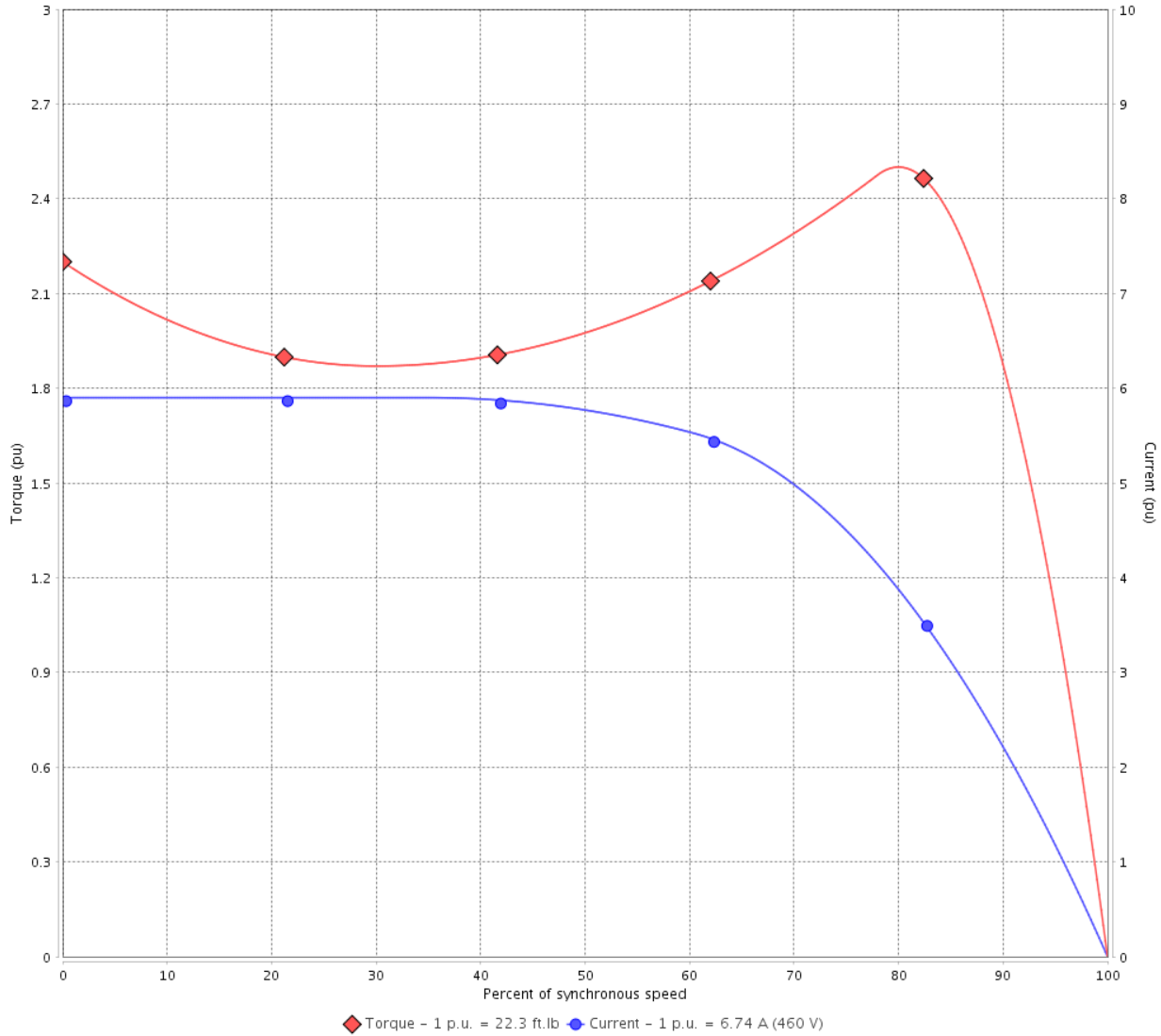
Customer :

Product line : JM Pump NEMA Premium
Efficiency Three-Phase

Product code : 13482596

Catalog # : 005120T3E215JMV-S

TORQUE AND CURRENT VS SPEED CURVE



Performance : 230/460 V 60 Hz 6P

Rated current	: 13.5/6.74 A	Moment of inertia (J)	: 1.08 sq.ft.lb
LRC	: 5.9	Duty cycle	: Cont.(S1)
Rated torque	: 22.3 ft.lb	Insulation class	: F
Locked rotor torque	: 220 %	Service factor	: 1.15
Breakdown torque	: 250 %	Temperature rise	: 80 K
Rated speed	: 1175 rpm	Design	: B

Locked rotor time : 52s (cold) 29s (hot)

Rev.	Changes Summary	Performed	Checked	Date
Performed by			Page 2 / 16	Revision
Checked by				
Date	12/04/2022			

TORQUE AND CURRENT VS SPEED CURVE



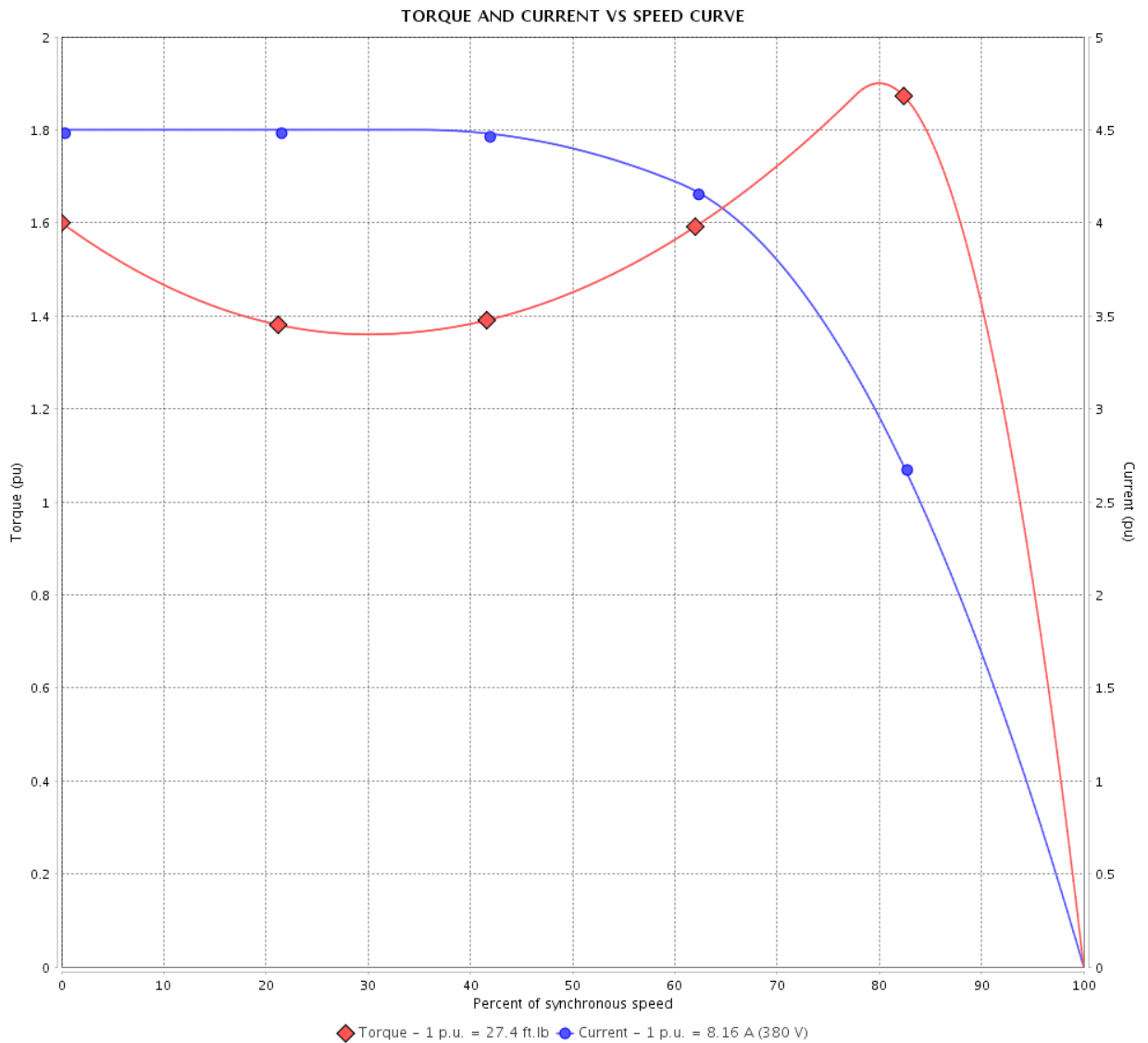
Three Phase Induction Motor - Squirrel Cage

Customer :

Product line : JM Pump NEMA Premium Efficiency Three-Phase

Product code : 13482596

Catalog # : 00512OT3E215JMV-S



Performance : 190/380 V 50 Hz 6P

Rated current	: 16.3/8.16 A	Moment of inertia (J)	: 1.08 sq.ft.lb
LRC	: 4.5	Duty cycle	: Cont.(S1)
Rated torque	: 27.4 ft.lb	Insulation class	: F
Locked rotor torque	: 160 %	Service factor	: 1.15
Breakdown torque	: 190 %	Temperature rise	: 80 K
Rated speed	: 960 rpm	Design	: B

Locked rotor time : 0s (cold) 0s (hot)

Rev.	Changes Summary	Performed	Checked	Date
Performed by			Page	Revision
Checked by			3 / 16	
Date	12/04/2022			

TORQUE AND CURRENT VS SPEED CURVE

Three Phase Induction Motor - Squirrel Cage



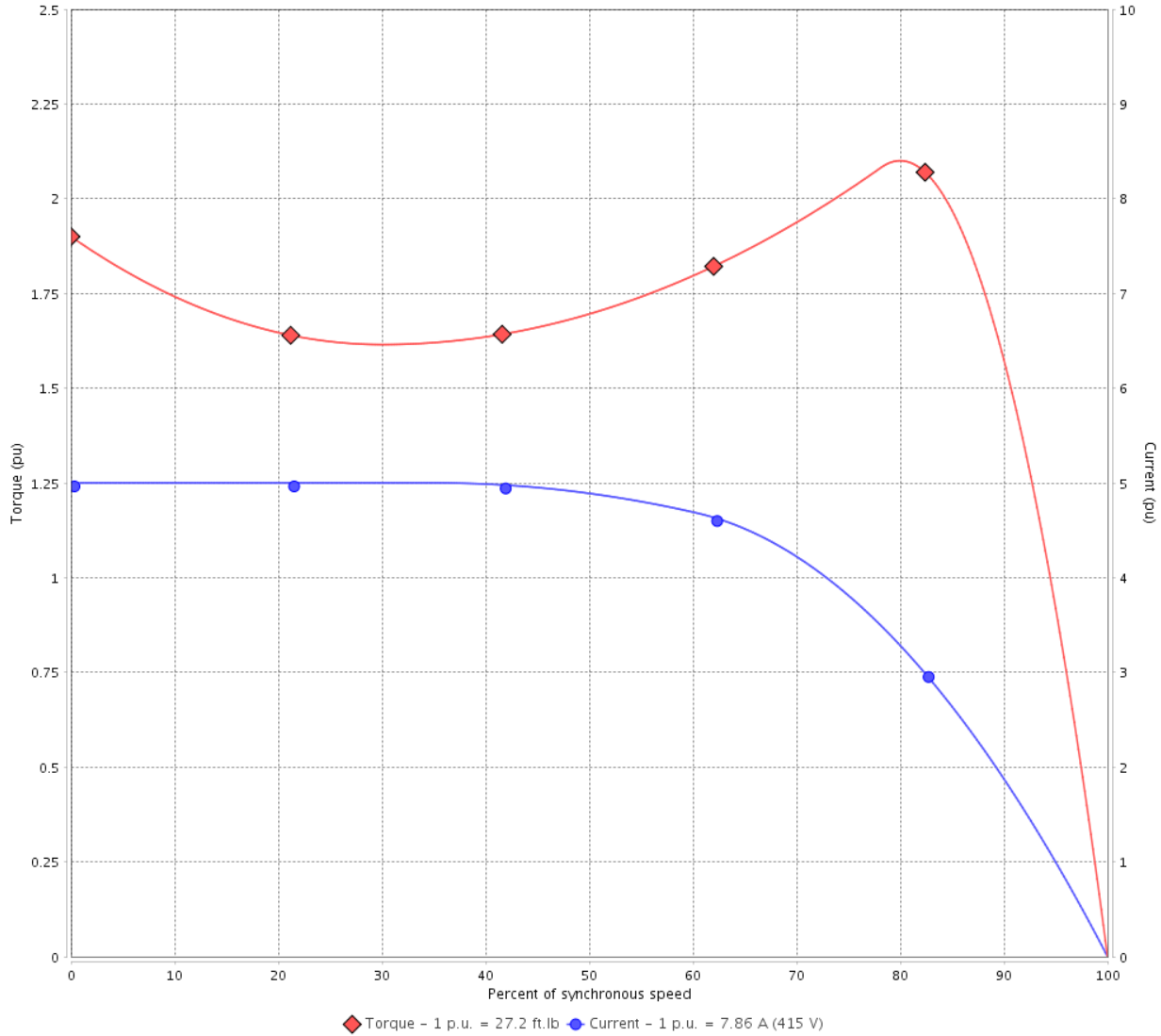
Customer :

Product line : JM Pump NEMA Premium
Efficiency Three-Phase

Product code : 13482596

Catalog # : 005120T3E215JMV-S

TORQUE AND CURRENT VS SPEED CURVE



Performance : 220/415 V 50 Hz 6P

Rated current	: 14.8/7.86 A	Moment of inertia (J)	: 1.08 sq.ft.lb
LRC	: 5.0	Duty cycle	: Cont.(S1)
Rated torque	: 27.2 ft.lb	Insulation class	: F
Locked rotor torque	: 190 %	Service factor	: 1.15
Breakdown torque	: 210 %	Temperature rise	: 80 K
Rated speed	: 965 rpm	Design	: B

Locked rotor time : 0s (cold) 0s (hot)

Rev.	Changes Summary	Performed	Checked	Date
Performed by			Page 4 / 16	Revision
Checked by				
Date	12/04/2022			

LOAD PERFORMANCE CURVE

Three Phase Induction Motor - Squirrel Cage

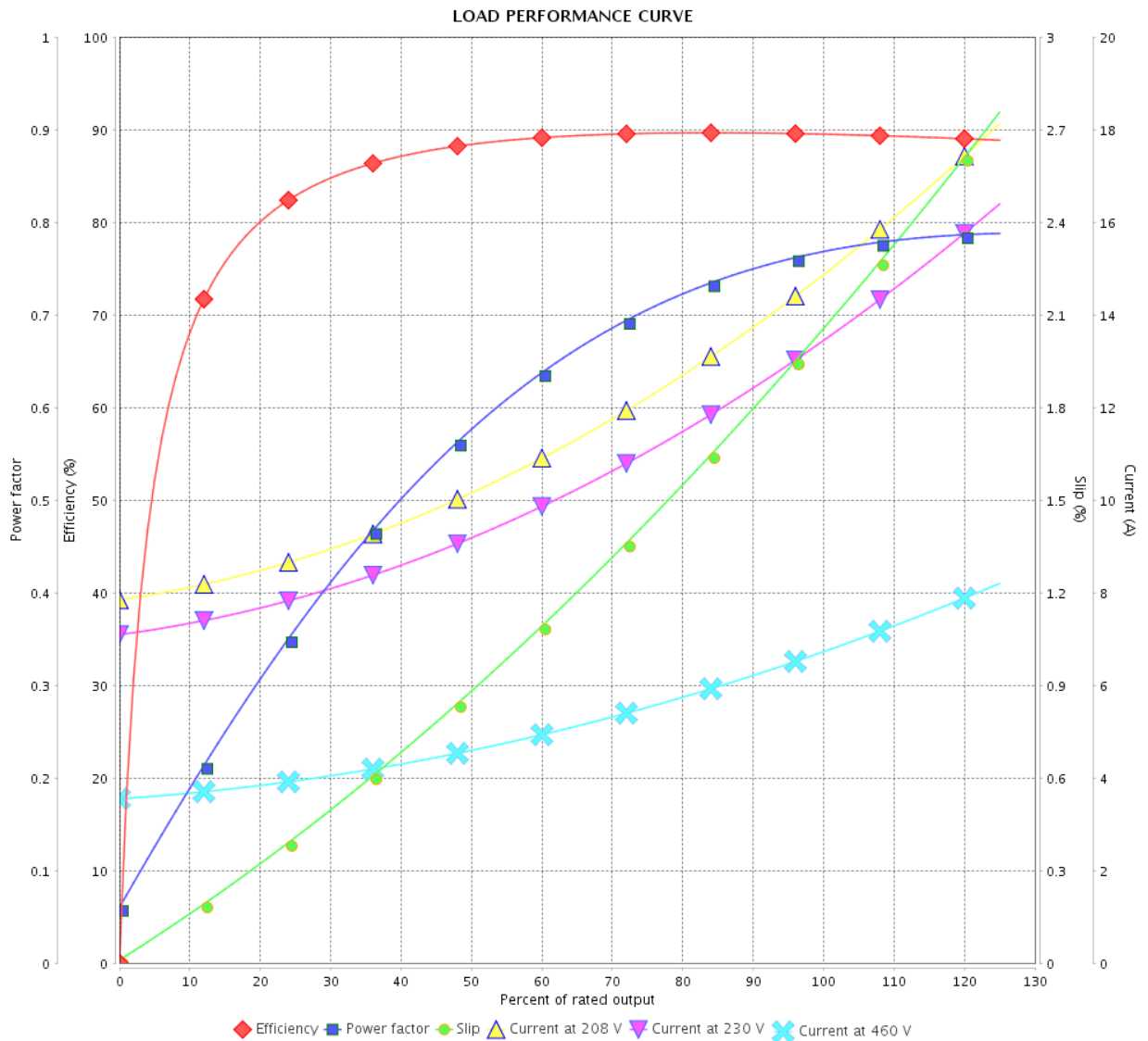


Customer : _____

Product line : JM Pump NEMA Premium Efficiency Three-Phase

Product code : 13482596

Catalog # : 00512OT3E215JMV-S



Performance : 230/460 V 60 Hz 6P

Rated current : 13.5/6.74 A
 LRC : 5.9
 Rated torque : 22.3 ft.lb
 Locked rotor torque : 220 %
 Breakdown torque : 250 %
 Rated speed : 1175 rpm

Moment of inertia (J) : 1.08 sq.ft.lb
 Duty cycle : Cont.(S1)
 Insulation class : F
 Service factor : 1.15
 Temperature rise : 80 K
 Design : B

Rev.	Changes Summary	Performed	Checked	Date
Performed by			Page 5 / 16	Revision
Checked by				
Date	12/04/2022			

LOAD PERFORMANCE CURVE

Three Phase Induction Motor - Squirrel Cage



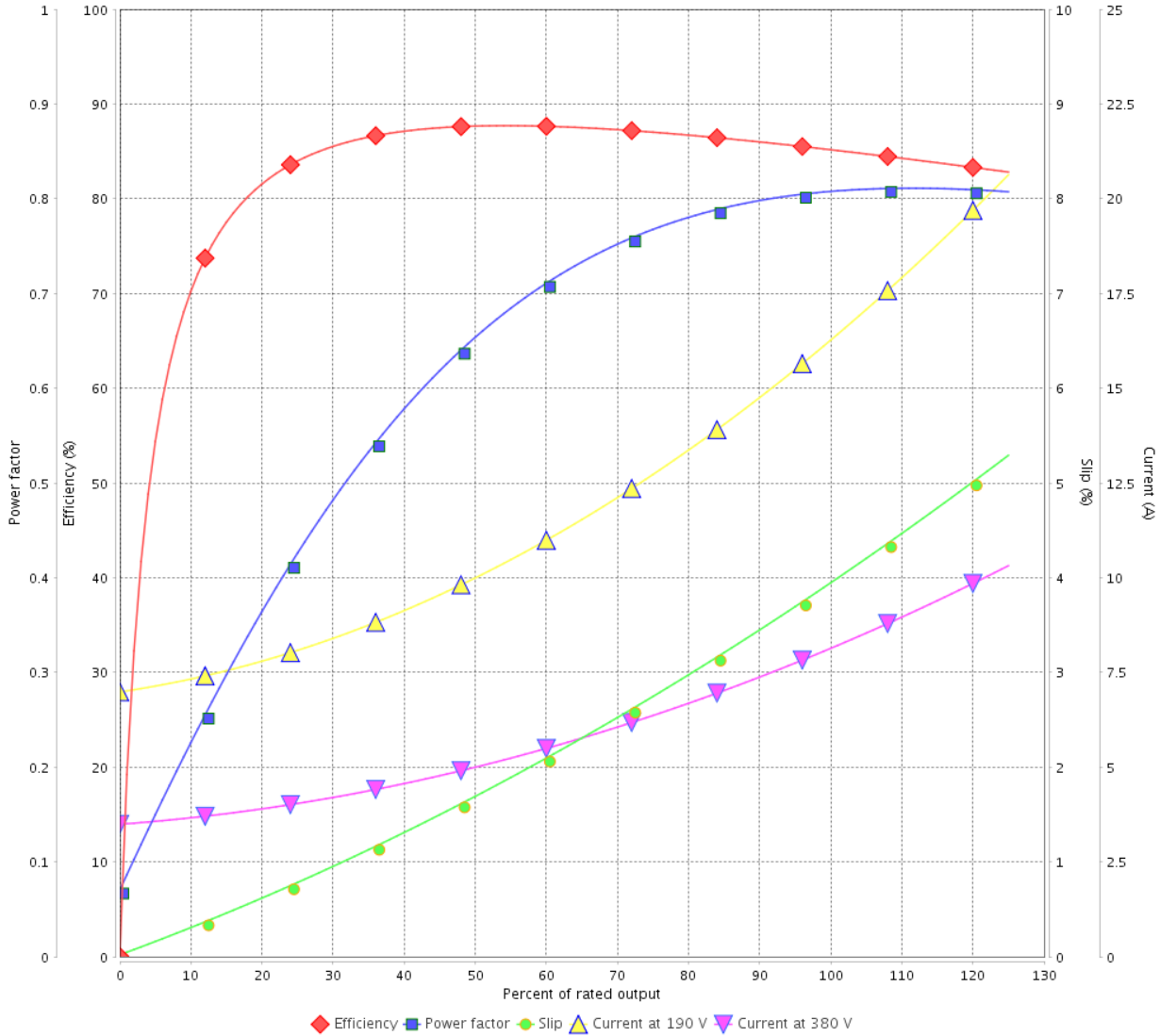
Customer :

Product line : JM Pump NEMA Premium
Efficiency Three-Phase

Product code : 13482596

Catalog # : 005120T3E215JMV-S

LOAD PERFORMANCE CURVE



Performance : 190/380 V 50 Hz 6P

Rated current : 16.3/8.16 A
LRC : 4.5
Rated torque : 27.4 ft.lb
Locked rotor torque : 160 %
Breakdown torque : 190 %
Rated speed : 960 rpm

Moment of inertia (J) : 1.08 sq.ft.lb
Duty cycle : Cont.(S1)
Insulation class : F
Service factor : 1.15
Temperature rise : 80 K
Design : B

Rev.	Changes Summary	Performed	Checked	Date
Performed by			Page	Revision
Checked by			6 / 16	
Date	12/04/2022			

LOAD PERFORMANCE CURVE

Three Phase Induction Motor - Squirrel Cage

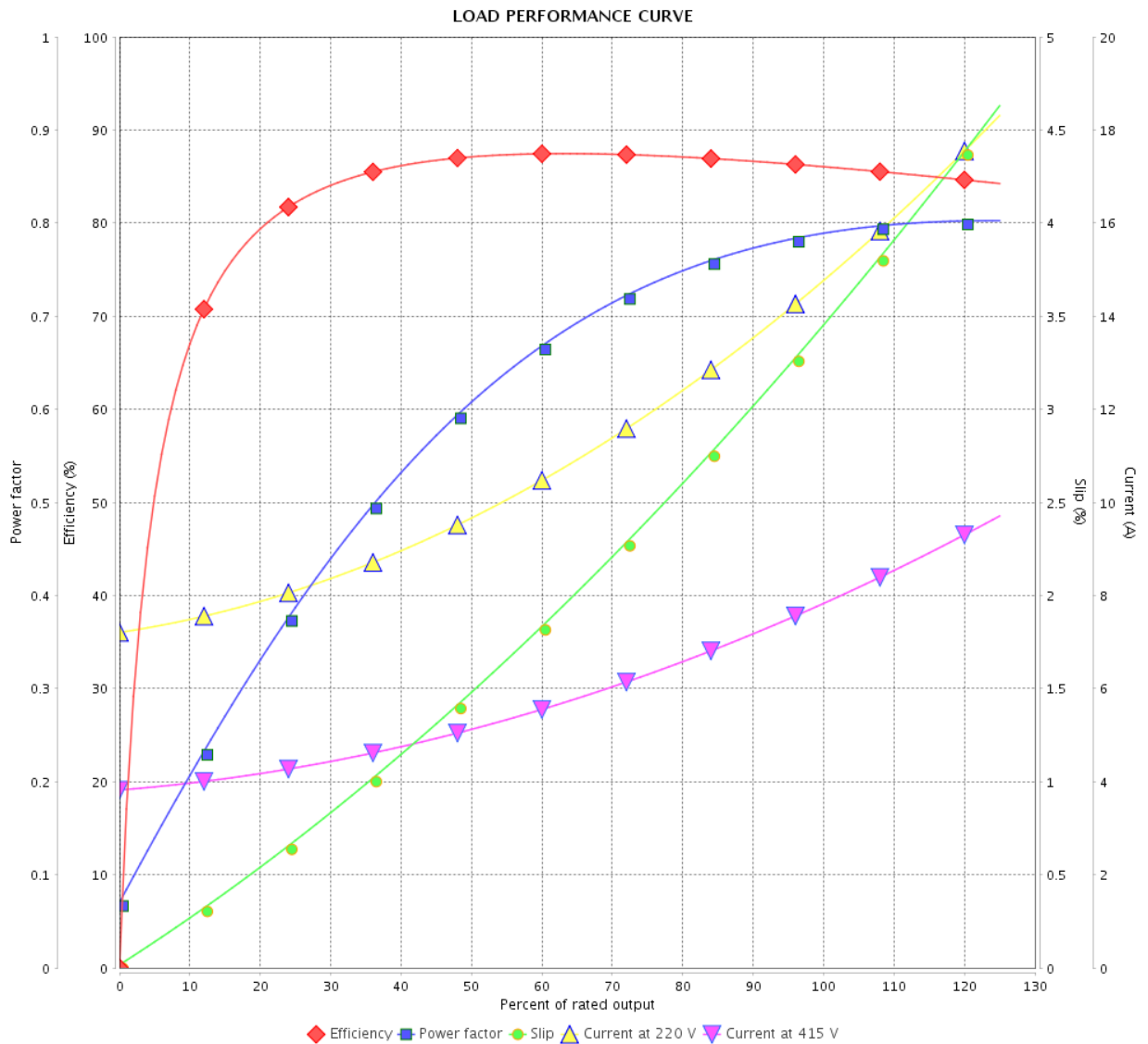


Customer :

Product line : JM Pump NEMA Premium Efficiency Three-Phase

Product code : 13482596

Catalog # : 00512OT3E215JMV-S



Performance : 220/415 V 50 Hz 6P

Rated current : 14.8/7.86 A
 LRC : 5.0
 Rated torque : 27.2 ft.lb
 Locked rotor torque : 190 %
 Breakdown torque : 210 %
 Rated speed : 965 rpm

Moment of inertia (J) : 1.08 sq.ft.lb
 Duty cycle : Cont.(S1)
 Insulation class : F
 Service factor : 1.15
 Temperature rise : 80 K
 Design : B

Rev.	Changes Summary	Performed	Checked	Date
Performed by			Page	Revision
Checked by			7 / 16	
Date	12/04/2022			

THERMAL LIMIT CURVE



Three Phase Induction Motor - Squirrel Cage

Customer :

Product line : JM Pump NEMA Premium
Efficiency Three-Phase

Product code : 13482596

Catalog # : 00512OT3E215JMV-S

Performance : 230/460 V 60 Hz 6P

Rated current : 13.5/6.74 A
LRC : 5.9
Rated torque : 22.3 ft.lb
Locked rotor torque : 220 %
Breakdown torque : 250 %
Rated speed : 1175 rpm

Moment of inertia (J) : 1.08 sq.ft.lb
Duty cycle : Cont.(S1)
Insulation class : F
Service factor : 1.15
Temperature rise : 80 K
Design : B

Heating constant

Cooling constant

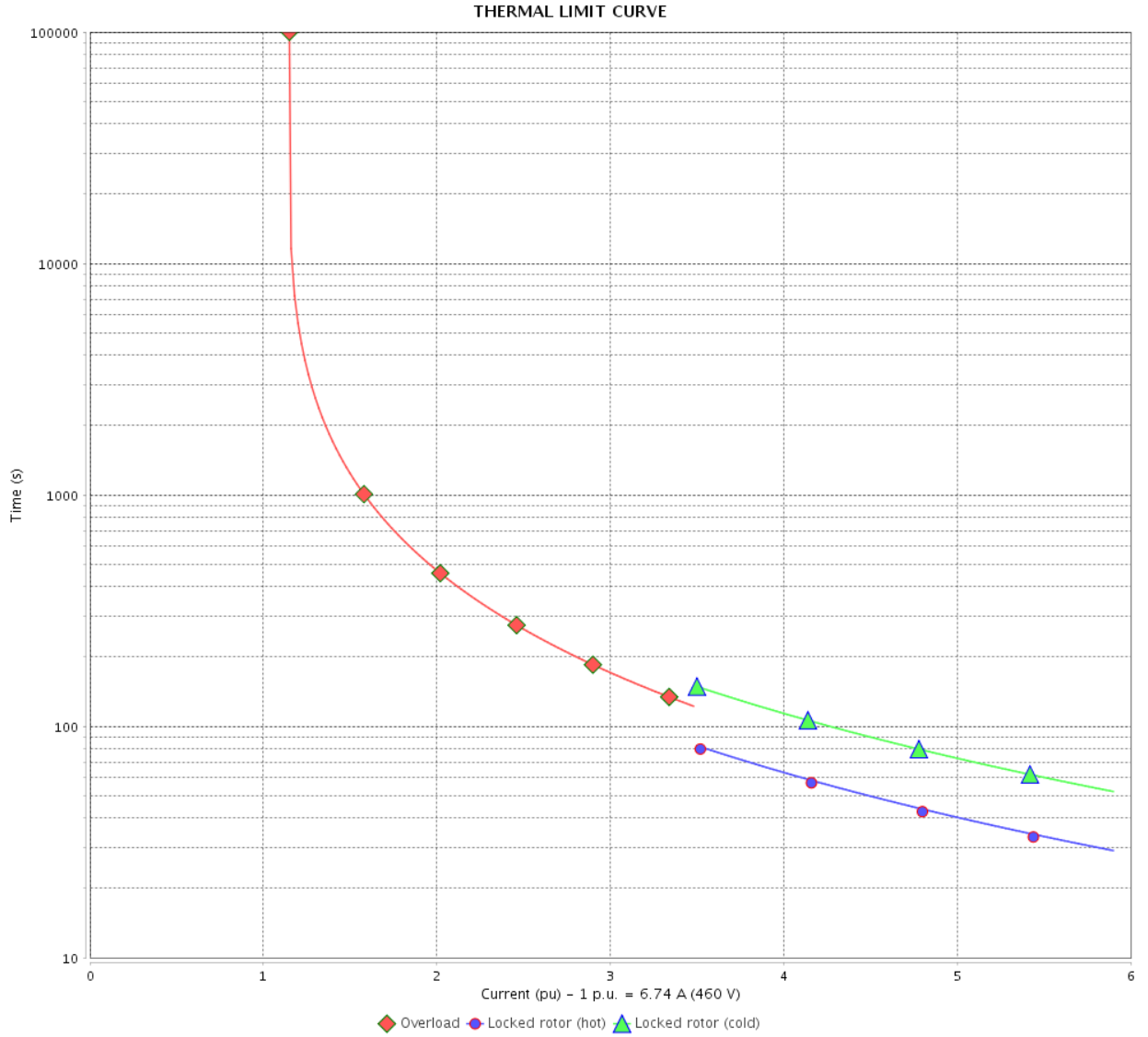
Rev.	Changes Summary	Performed	Checked	Date
Performed by				
Checked by			Page	Revision
Date	12/04/2022		8 / 16	

THERMAL LIMIT CURVE

Three Phase Induction Motor - Squirrel Cage



Customer : _____



Rev.	Changes Summary	Performed	Checked	Date
Performed by				
Checked by				
Date				
			Page	Revision
			9 / 16	

THERMAL LIMIT CURVE



Three Phase Induction Motor - Squirrel Cage

Customer :

Product line : JM Pump NEMA Premium
Efficiency Three-Phase

Product code : 13482596

Catalog # : 00512OT3E215JMV-S

Performance : 190/380 V 50 Hz 6P

Rated current : 16.3/8.16 A
LRC : 4.5
Rated torque : 27.4 ft.lb
Locked rotor torque : 160 %
Breakdown torque : 190 %
Rated speed : 960 rpm

Moment of inertia (J) : 1.08 sq.ft.lb
Duty cycle : Cont.(S1)
Insulation class : F
Service factor : 1.15
Temperature rise : 80 K
Design : B

Heating constant

Cooling constant

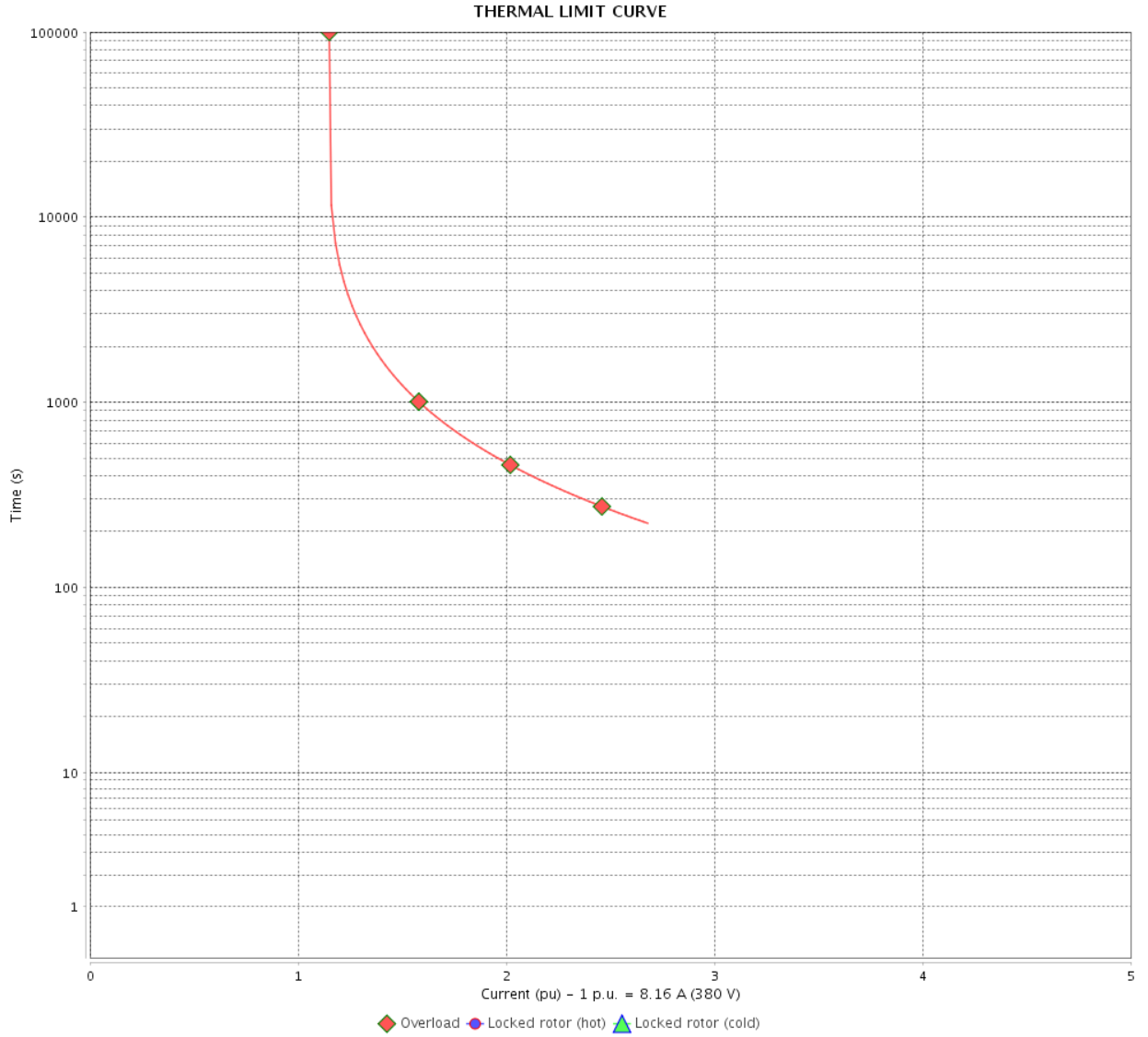
Rev.	Changes Summary	Performed	Checked	Date
Performed by				
Checked by			Page	Revision
Date	12/04/2022		10 / 16	

THERMAL LIMIT CURVE

Three Phase Induction Motor - Squirrel Cage



Customer : _____



Rev.	Changes Summary	Performed	Checked	Date
Performed by		Page		Revision
Checked by		11 / 16		
Date		12/04/2022		

THERMAL LIMIT CURVE



Three Phase Induction Motor - Squirrel Cage

Customer :

Product line : JM Pump NEMA Premium
Efficiency Three-Phase

Product code : 13482596

Catalog # : 00512OT3E215JMV-S

Performance : 220/415 V 50 Hz 6P

Rated current : 14.8/7.86 A
LRC : 5.0
Rated torque : 27.2 ft.lb
Locked rotor torque : 190 %
Breakdown torque : 210 %
Rated speed : 965 rpm

Moment of inertia (J) : 1.08 sq.ft.lb
Duty cycle : Cont.(S1)
Insulation class : F
Service factor : 1.15
Temperature rise : 80 K
Design : B

Heating constant

Cooling constant

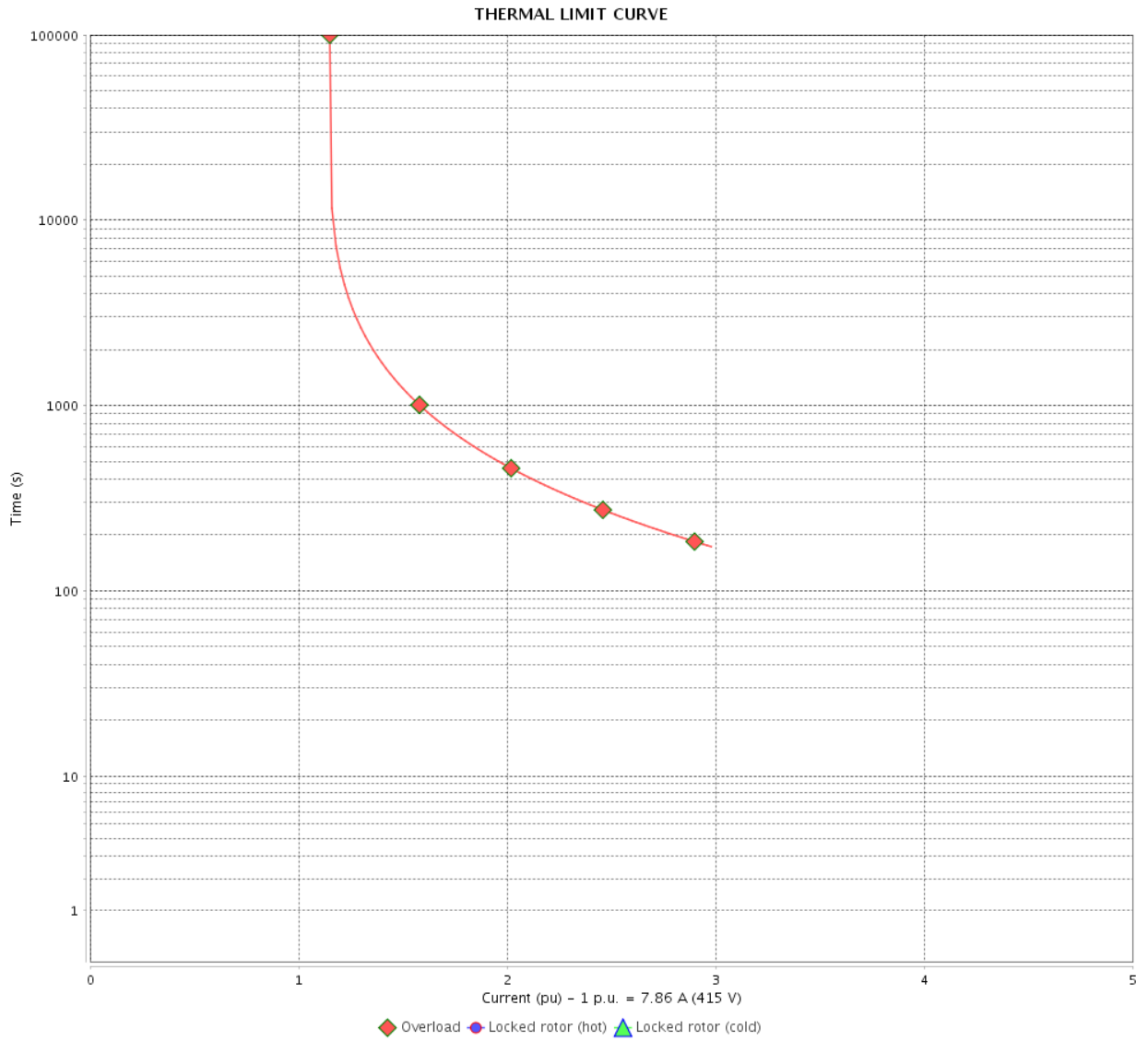
Rev.	Changes Summary	Performed	Checked	Date
Performed by				
Checked by			Page	Revision
Date	12/04/2022		12 / 16	

THERMAL LIMIT CURVE

Three Phase Induction Motor - Squirrel Cage



Customer : _____



Rev.	Changes Summary	Performed	Checked	Date
Performed by		Page		Revision
Checked by		13 / 16		
Date		12/04/2022		

VFD OPERATION CURVE

Three Phase Induction Motor - Squirrel Cage



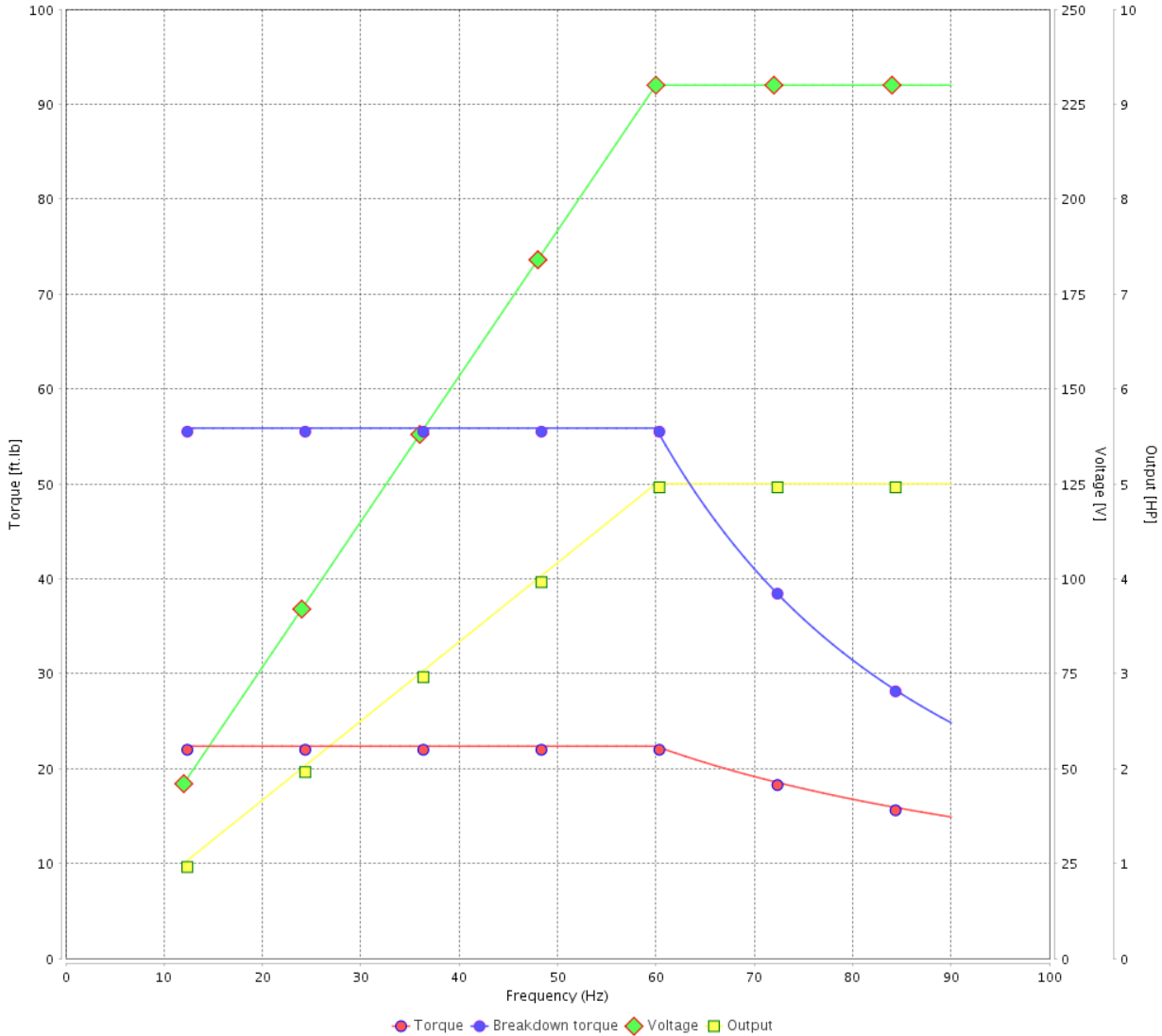
Customer :

Product line : JM Pump NEMA Premium Efficiency Three-Phase

Product code : 13482596

Catalog # : 00512OT3E215JMV-S

VFD OPERATION CURVE



Performance : 230/460 V 60 Hz 6P

Rated current : 13.5/6.74 A
 LRC : 5.9
 Rated torque : 22.3 ft.lb
 Locked rotor torque : 220 %
 Breakdown torque : 250 %
 Rated speed : 1175 rpm

Moment of inertia (J) : 1.08 sq.ft.lb
 Duty cycle : Cont.(S1)
 Insulation class : F
 Service factor : 1.15
 Temperature rise : 80 K
 Design : B

Rev.	Changes Summary	Performed	Checked	Date
Performed by			Page 14 / 16	Revision
Checked by				
Date	12/04/2022			

VFD OPERATION CURVE

Three Phase Induction Motor - Squirrel Cage

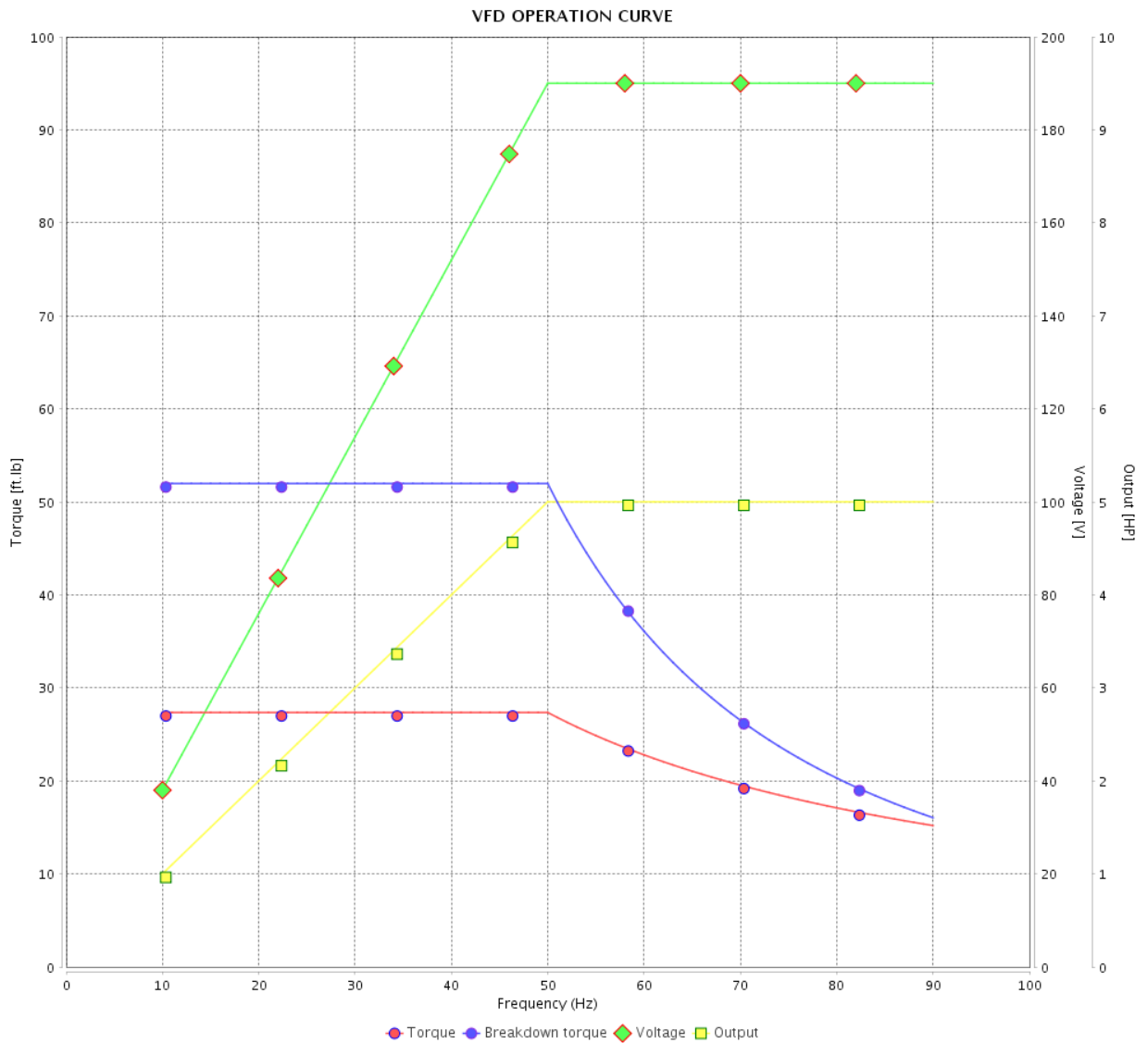


Customer :

Product line : JM Pump NEMA Premium Efficiency Three-Phase

Product code : 13482596

Catalog # : 00512OT3E215JMV-S



Performance : 190/380 V 50 Hz 6P

Rated current : 16.3/8.16 A
 LRC : 4.5
 Rated torque : 27.4 ft.lb
 Locked rotor torque : 160 %
 Breakdown torque : 190 %
 Rated speed : 960 rpm

Moment of inertia (J) : 1.08 sq.ft.lb
 Duty cycle : Cont.(S1)
 Insulation class : F
 Service factor : 1.15
 Temperature rise : 80 K
 Design : B

Rev.	Changes Summary	Performed	Checked	Date
Performed by		Page		Revision
Checked by		15 / 16		
Date	12/04/2022			

VFD OPERATION CURVE

Three Phase Induction Motor - Squirrel Cage



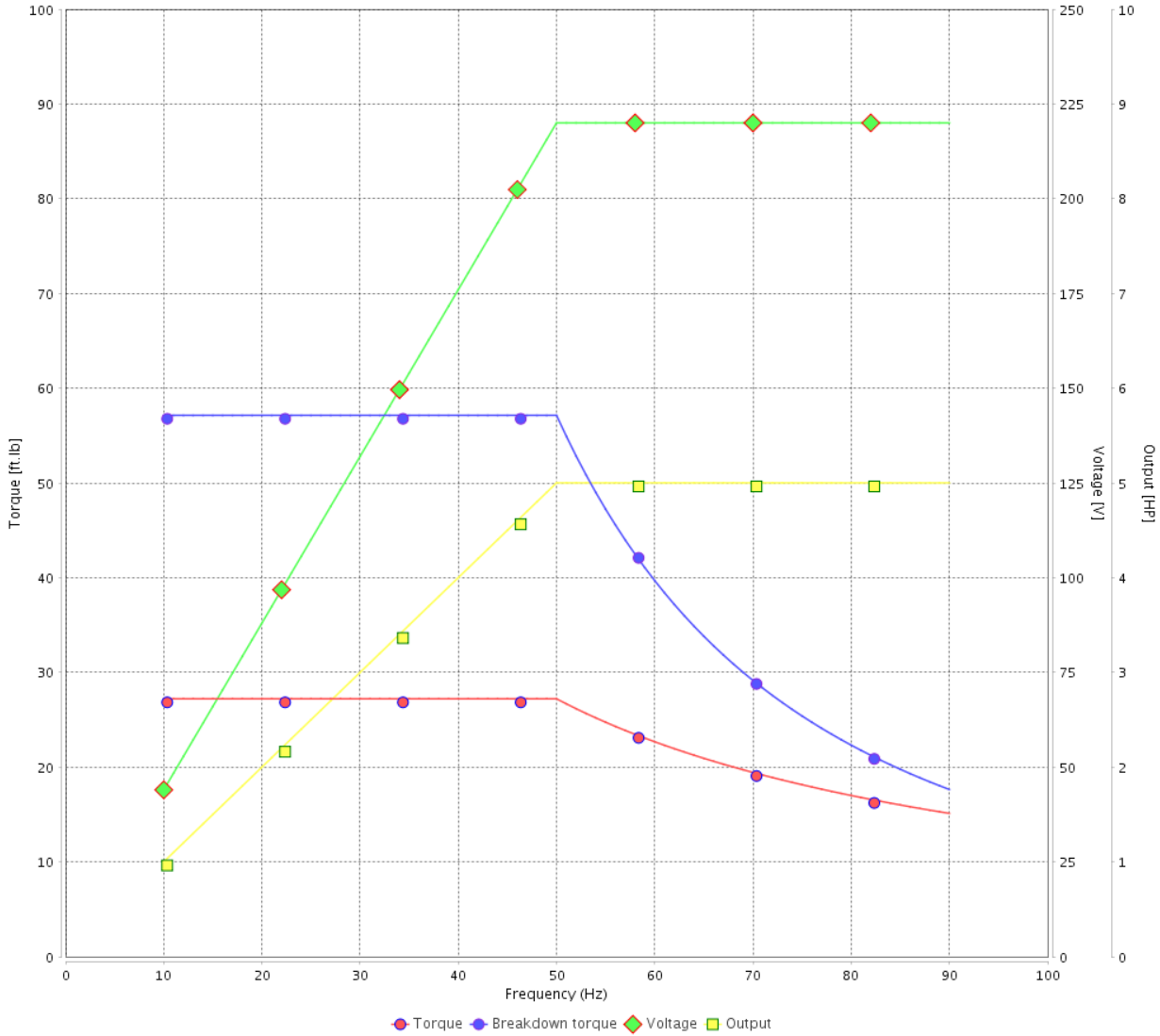
Customer :

Product line : JM Pump NEMA Premium Efficiency Three-Phase

Product code : 13482596

Catalog # : 00512OT3E215JMV-S

VFD OPERATION CURVE



Performance : 220/415 V 50 Hz 6P

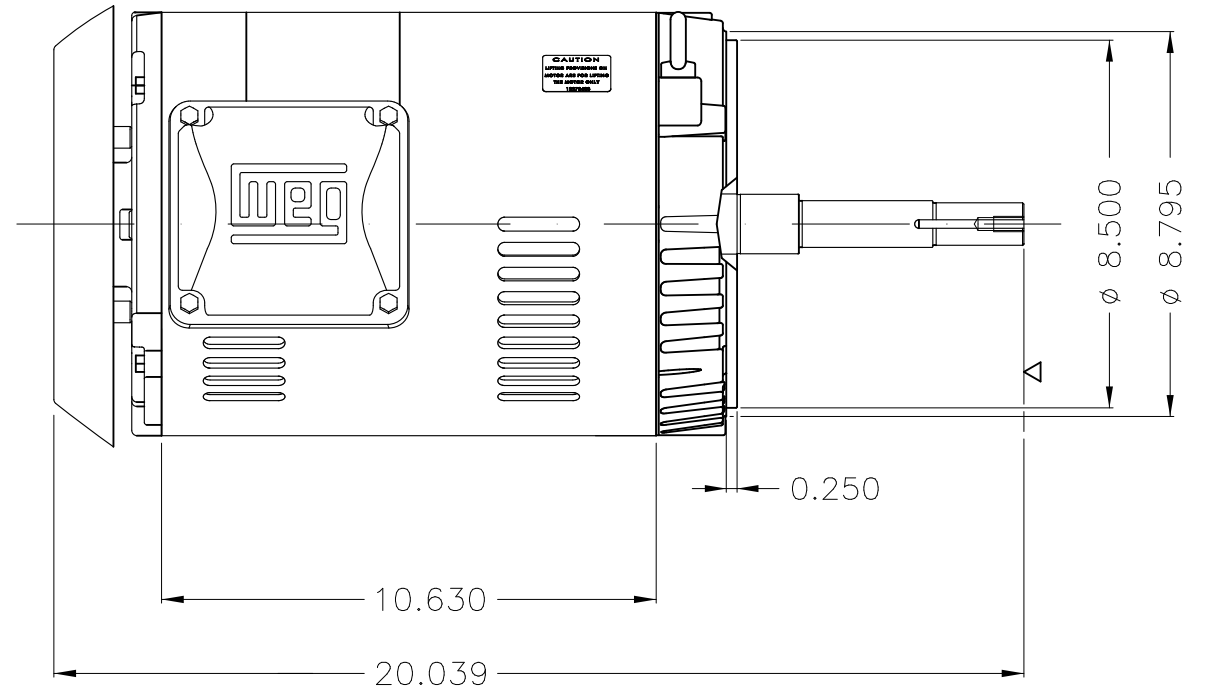
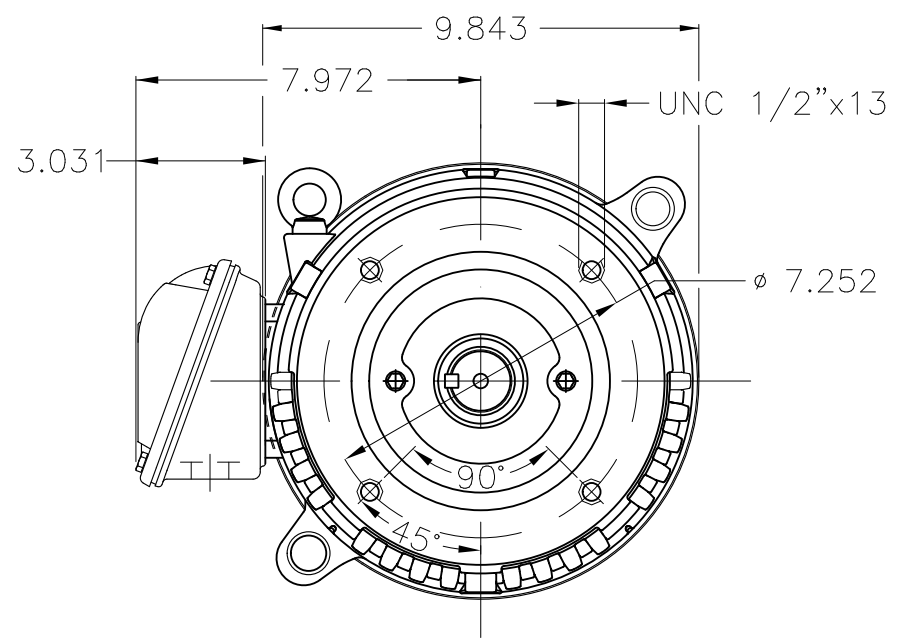
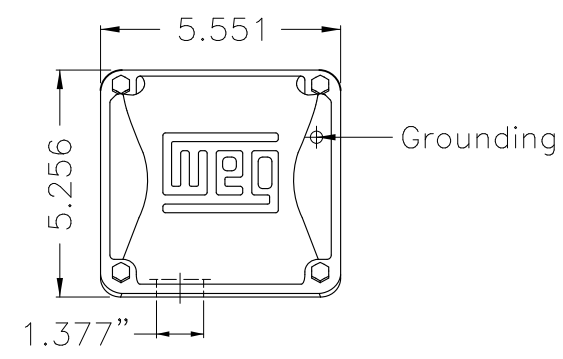
Rated current : 14.8/7.86 A
 LRC : 5.0
 Rated torque : 27.2 ft.lb
 Locked rotor torque : 190 %
 Breakdown torque : 210 %
 Rated speed : 965 rpm

Moment of inertia (J) : 1.08 sq.ft.lb
 Duty cycle : Cont.(S1)
 Insulation class : F
 Service factor : 1.15
 Temperature rise : 80 K
 Design : B

Rev.	Changes Summary	Performed	Checked	Date
Performed by			Page 16 / 16	Revision
Checked by				
Date	12/04/2022			

1 2 3 4 5 6

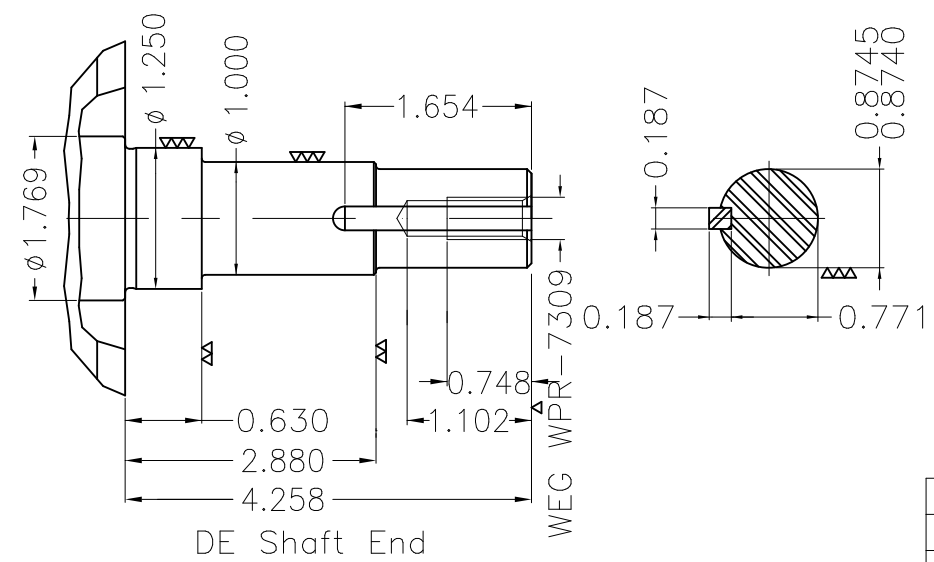
A



B

C

D



EUNC 3/8" - 16 WEG WPR-7309

Color Munsell N 1 matte black									
Painting plan 207N									
Mounting W-6/V18R(D)									
ECM	LOC	SUMMARY OF MODIFICATIONS			EXECUTED	CHECKED	RELEASED	DATE	VER
EXECUTED	PIRWBUSER	THREE PH. MOTOR ROLLED STEEL CLOSE COUPLED PUMP JN TYPE PSE 187							
CHECKED		FRAME 213/5JM IP21 ODP							
RELEASED									
REL DT.		WMO	Jaragua do Sul	Product Engineering					

5 HP 06 Poles 60 Hz

REL DT. WMO Jaragua do Sul Product Engineering SHEET 1 / 1



Dimensions in inches XME A3

WEG
NEMA
Premium3PT9
C US LISTED

Energy Verified

MADE IN MEXICO

MAT: 13482596 CC029A

W01.T00IC0X0N

MODEL 005120T3E215JMV-S

04SET2020 S/N:

PH 3 FR 213/5JM HP(KW) 5.0(3.7) Hz 60

V 230/460 RPM 1175

A 13.5/6.74 DUTY CONT.

SFA 15.5/7.75 CODE H DES B

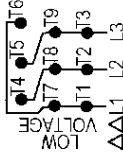
SF 1.15 INS CL F AT 80K AMB 40°C ENCL ODP

PF 0.77 NEMA NOM.EFF. 89.5%

ALT 1000 m.a.s.l. USABLE @ 208V 14.9A SF1.00

ALTERNATE RATING: 5.0HP 50Hz 190-220/380-415V SF1.15

16.3-14.6/8.16-7.74A 960RPM EFF 85.1% (IE2) IEC 60034-1

T1-BLU T2-WHT
T3-ORG T4-YEL
T5-BLK T6-GRY
T7-PNK T8-RED
T9-BRK RED Δ L1 L2 L3

INTERCHANGE ANY TWO LINE WIRES TO REVERSE THE ROTATION

Inverter duty motor For 60Hz use on VPWM 1000:1 VT, 5:1 CT

DE: 6209-ZZ ODE: 6206-ZZ MOBIL POLYREX EM

WARNING: Motor must be grounded in accordance with local and national electrical codes to prevent serious electrical shocks. Disconnect power source before servicing unit.

AVERTISSEMENT: Le moteur doit être mis à la terre conformément aux codes électriques locaux et nationaux afin d'éviter tout choc électrique grave. Déconnectez l'alimentation avant l'entretien de la machine.

