

DATA SHEET



Three Phase Induction Motor - Squirrel Cage

Customer :			
Product line	: JP Pump NEMA Premium Efficiency Three-Phase	Product code :	14329713
		Catalog # :	00518ET3E184JP-SG
Frame	: 182/4JP	Cooling method	: IC411 - TEFC
Insulation class	: F	Mounting	: F-1
Duty cycle	: Cont.(S1)	Rotation ¹	: Both (CW and CCW)
Ambient temperature	: -20°C to +40°C	Starting method	: Direct On Line
Altitude	: 1000 m.a.s.l.	Approx. weight ²	: 71.4 lb
Protection degree	: IP55	Moment of inertia (J)	: 0.3080 sq.ft.lb
Design	: B		
Output [HP]	5	5	5
Poles	4	4	4
Frequency [Hz]	60	50	50
Rated voltage [V]	230/460	190/380	220/415
Rated current [A]	13.0/6.49	15.8/7.88	14.3/7.59
L. R. Amperes [A]	90.9/45.4	91.4/45.7	91.6/48.6
LRC [A]	7.0x(Code J)	5.8x(Code G)	6.4x(Code H)
No load current [A]	6.89/3.44	6.74/3.37	7.10/3.77
Rated speed [RPM]	1750	1425	1435
Slip [%]	2.78	5.00	4.33
Rated torque [ft.lb]	15.0	18.4	18.3
Locked rotor torque [%]	220	170	200
Breakdown torque [%]	300	229	260
Service factor	1.15	1.00	1.00
Temperature rise	80 K	105 K	105 K
Locked rotor time	28s (cold) 16s (hot)	0s (cold) 0s (hot)	0s (cold) 0s (hot)
Noise level ²	56.0 dB(A)	53.0 dB(A)	53.0 dB(A)
Efficiency (%)	25%	88.2	88.2
	50%	88.5	87.2
	75%	89.5	87.3
	100%	89.5	85.8
Power Factor	25%	0.35	0.37
	50%	0.60	0.63
	75%	0.73	0.76
	100%	0.80	0.82
Bearing type	: <u>Drive end</u> 6207 ZZ <u>Non drive end</u> 6205 ZZ	Foundation loads	
Sealing	: V'Ring Without Bearing Seal	Max. traction	: 268 lb
		Max. compression	: 340 lb
Lubrication interval	: -		
Lubricant amount	: -		
Lubricant type	: Mobil Polyrex EM		
Notes USABLE @208V 14.4A SF 1.00 SFA 14.4A			
This revision replaces and cancel the previous one, which must be eliminated. (1) Looking the motor from the shaft end. (2) Measured at 1m and with tolerance of +3dB(A). (3) Approximate weight subject to changes after manufacturing process. (4) At 100% of full load.		These are average values based on tests with sinusoidal power supply, subject to the tolerances stipulated in NEMA MG-1.	
Rev.	Changes Summary	Performed	Checked
			Date
Performed by			
Checked by			Page
Date	13/04/2022		Revision
			1 / 16

TORQUE AND CURRENT VS SPEED CURVE

Three Phase Induction Motor - Squirrel Cage



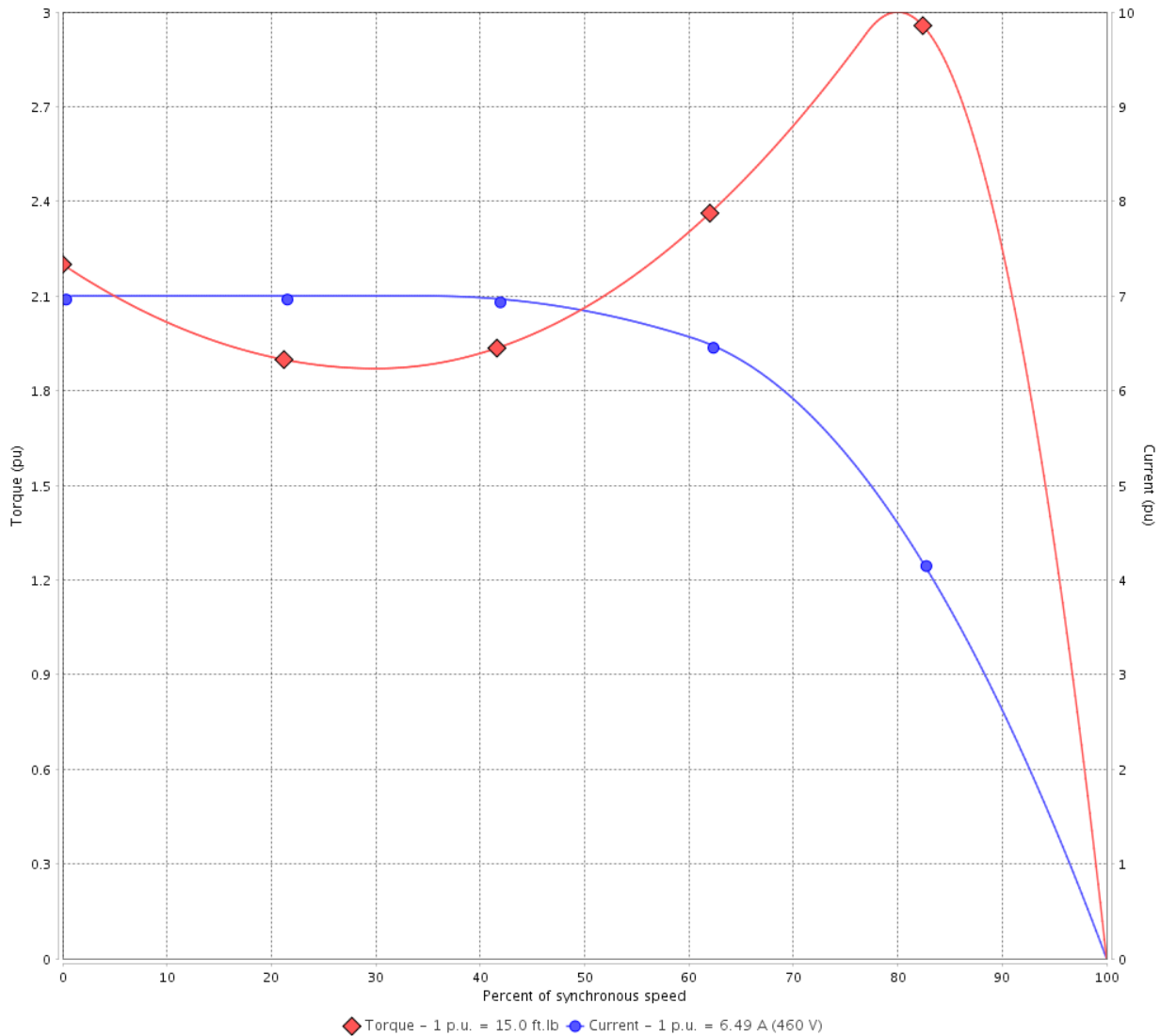
Customer :

Product line : JP Pump NEMA Premium
Efficiency Three-Phase

Product code : 14329713

Catalog # : 00518ET3E184JP-SG

TORQUE AND CURRENT VS SPEED CURVE



Performance : 230/460 V 60 Hz 4P

Rated current : 13.0/6.49 A
LRC : 7.0
Rated torque : 15.0 ft.lb
Locked rotor torque : 220 %
Breakdown torque : 300 %
Rated speed : 1750 rpm

Moment of inertia (J) : 0.3080 sq.ft.lb
Duty cycle : Cont.(S1)
Insulation class : F
Service factor : 1.15
Temperature rise : 80 K
Design : B

Locked rotor time : 28s (cold) 16s (hot)

Rev.	Changes Summary	Performed	Checked	Date
Performed by			Page 2 / 16	Revision
Checked by				
Date	13/04/2022			

TORQUE AND CURRENT VS SPEED CURVE



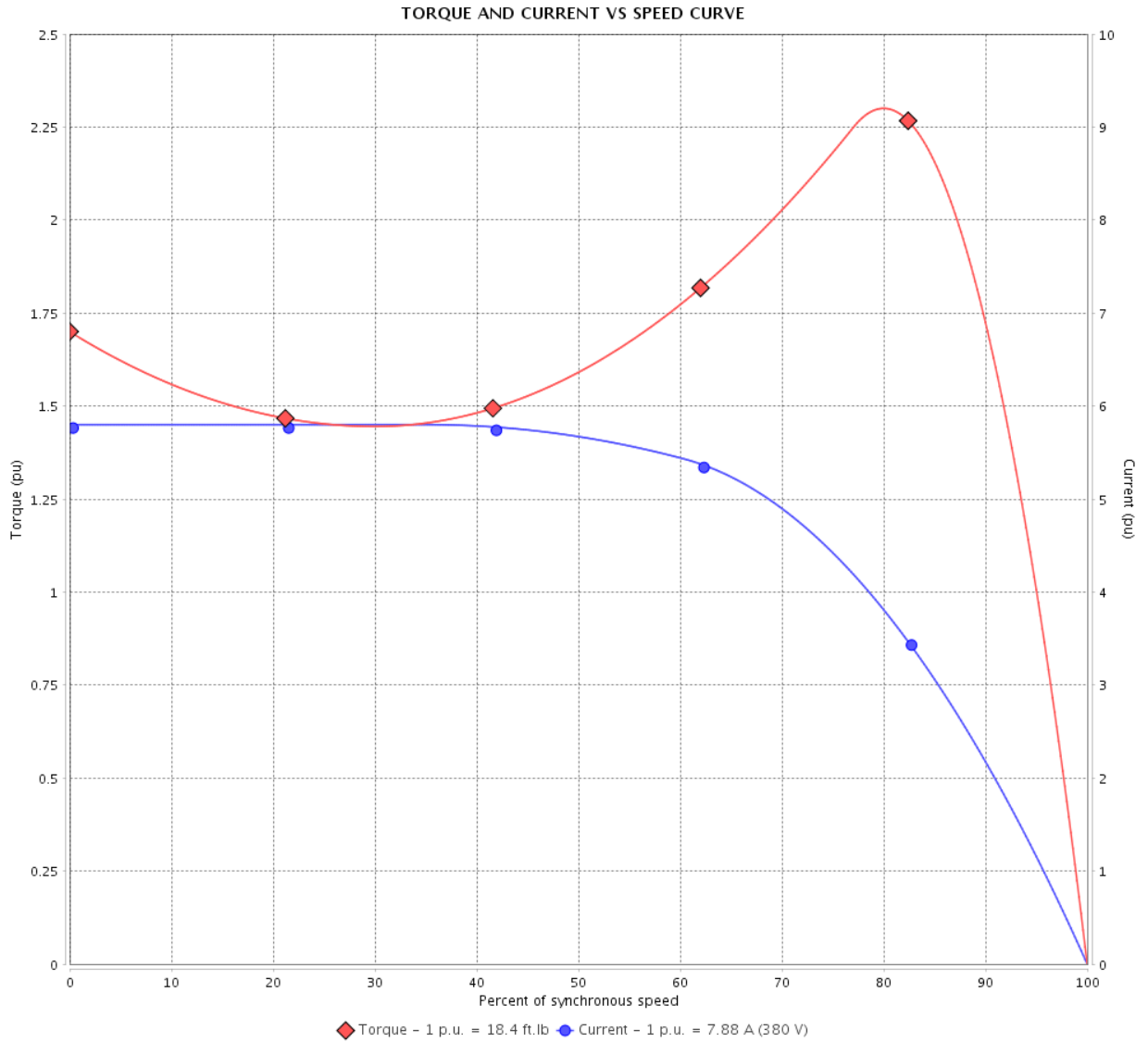
Three Phase Induction Motor - Squirrel Cage

Customer :

Product line : JP Pump NEMA Premium Efficiency Three-Phase

Product code : 14329713

Catalog # : 00518ET3E184JP-SG



Performance : 190/380 V 50 Hz 4P

Rated current	: 15.8/7.88 A	Moment of inertia (J)	: 0.3080 sq.ft.lb
LRC	: 5.8	Duty cycle	: Cont.(S1)
Rated torque	: 18.4 ft.lb	Insulation class	: F
Locked rotor torque	: 170 %	Service factor	: 1.00
Breakdown torque	: 229 %	Temperature rise	: 105 K
Rated speed	: 1425 rpm	Design	: B

Locked rotor time : 0s (cold) 0s (hot)

Rev.	Changes Summary	Performed	Checked	Date
Performed by			Page 3 / 16	Revision
Checked by				
Date	13/04/2022			

TORQUE AND CURRENT VS SPEED CURVE

Three Phase Induction Motor - Squirrel Cage



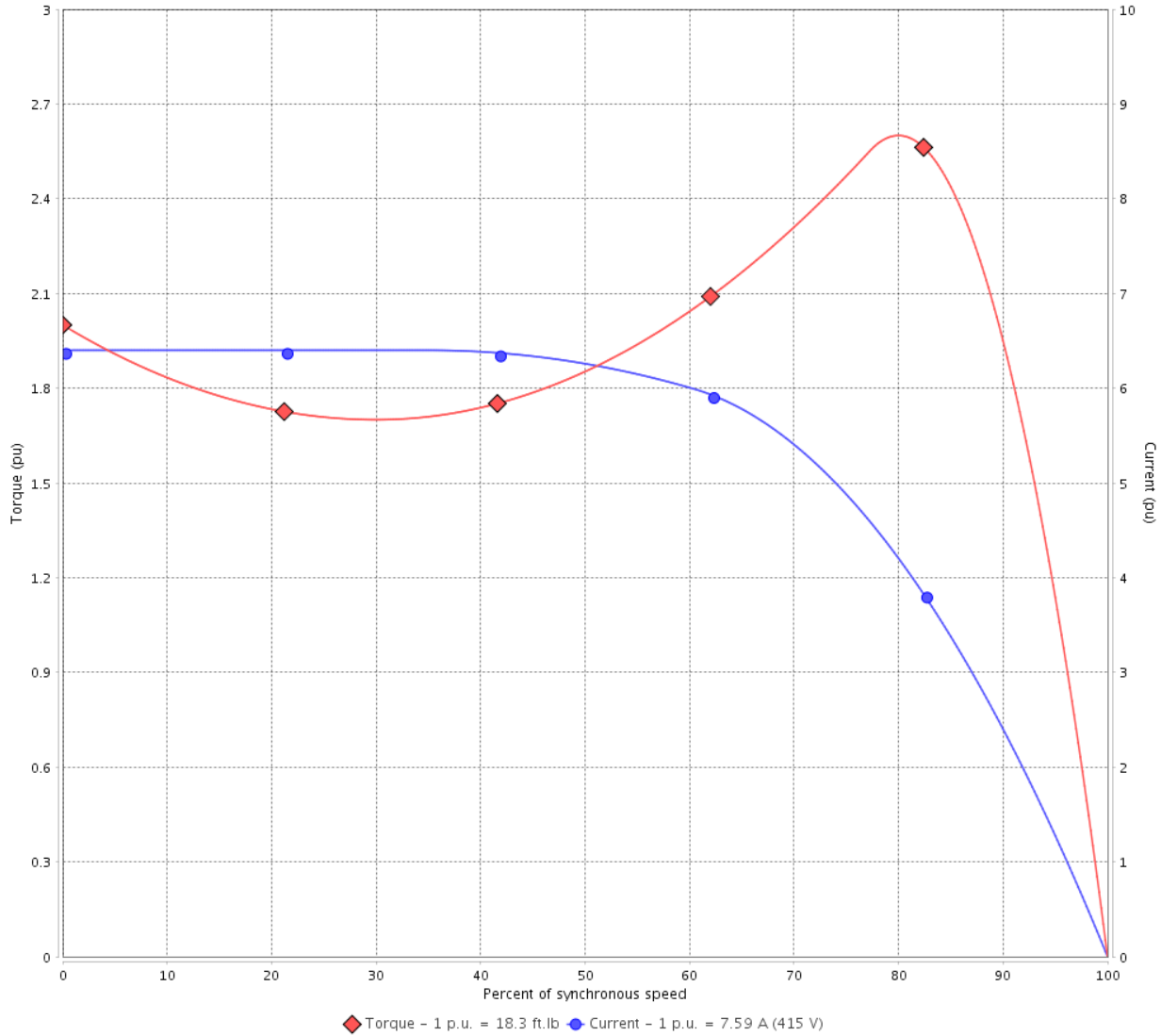
Customer :

Product line : JP Pump NEMA Premium
Efficiency Three-Phase

Product code : 14329713

Catalog # : 00518ET3E184JP-SG

TORQUE AND CURRENT VS SPEED CURVE



Performance : 220/415 V 50 Hz 4P

Rated current : 14.3/7.59 A
LRC : 6.4
Rated torque : 18.3 ft.lb
Locked rotor torque : 200 %
Breakdown torque : 260 %
Rated speed : 1435 rpm

Moment of inertia (J) : 0.3080 sq.ft.lb
Duty cycle : Cont.(S1)
Insulation class : F
Service factor : 1.00
Temperature rise : 105 K
Design : B

Locked rotor time : 0s (cold) 0s (hot)

Rev.	Changes Summary	Performed	Checked	Date
Performed by			Page 4 / 16	Revision
Checked by				
Date	13/04/2022			

LOAD PERFORMANCE CURVE

Three Phase Induction Motor - Squirrel Cage

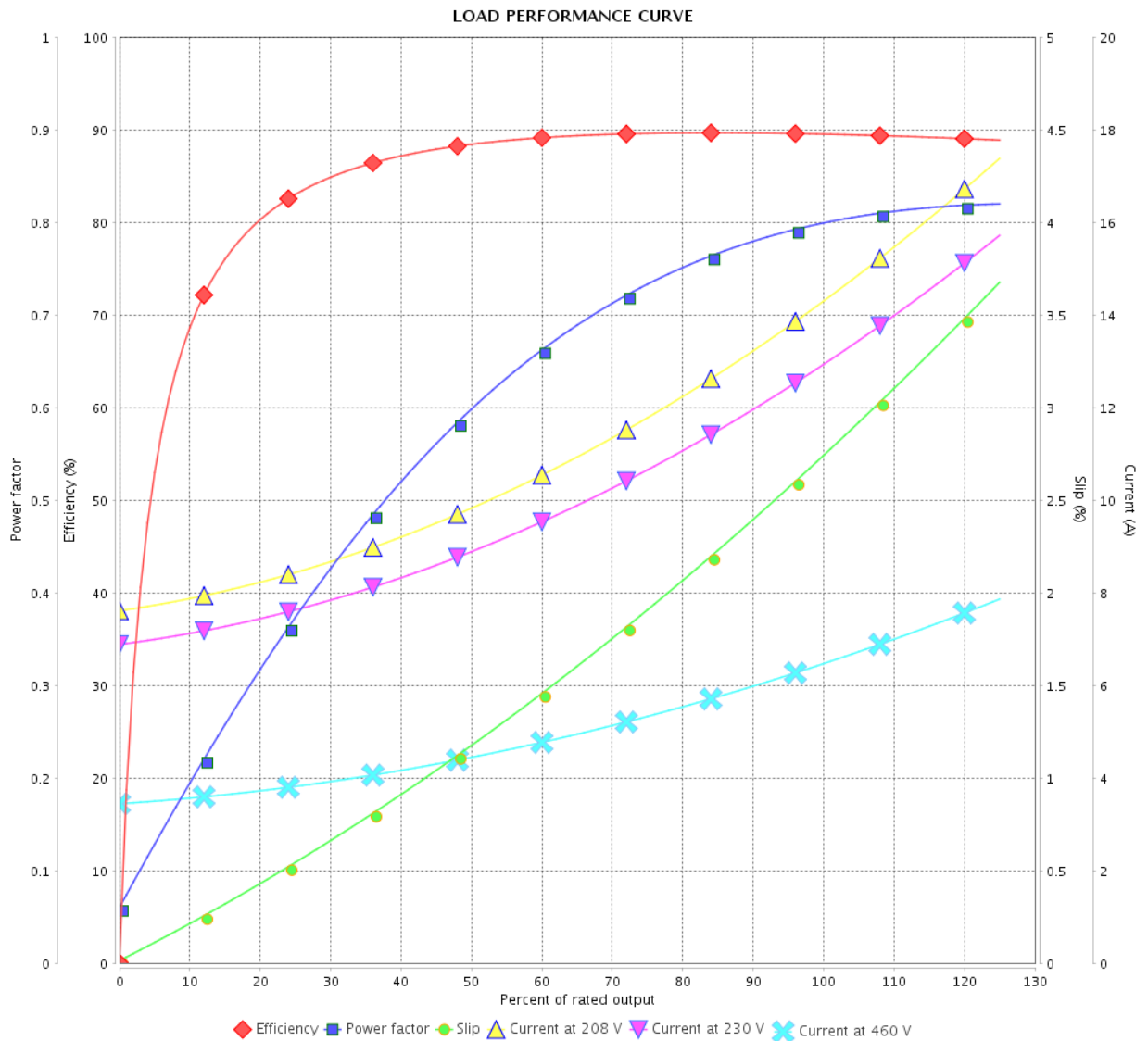


Customer :

Product line : JP Pump NEMA Premium Efficiency Three-Phase

Product code : 14329713

Catalog # : 00518ET3E184JP-SG



Performance : 230/460 V 60 Hz 4P

Rated current : 13.0/6.49 A
 LRC : 7.0
 Rated torque : 15.0 ft.lb
 Locked rotor torque : 220 %
 Breakdown torque : 300 %
 Rated speed : 1750 rpm

Moment of inertia (J) : 0.3080 sq.ft.lb
 Duty cycle : Cont.(S1)
 Insulation class : F
 Service factor : 1.15
 Temperature rise : 80 K
 Design : B

Rev.	Changes Summary	Performed	Checked	Date
Performed by			Page	Revision
Checked by			5 / 16	
Date	13/04/2022			

LOAD PERFORMANCE CURVE

Three Phase Induction Motor - Squirrel Cage



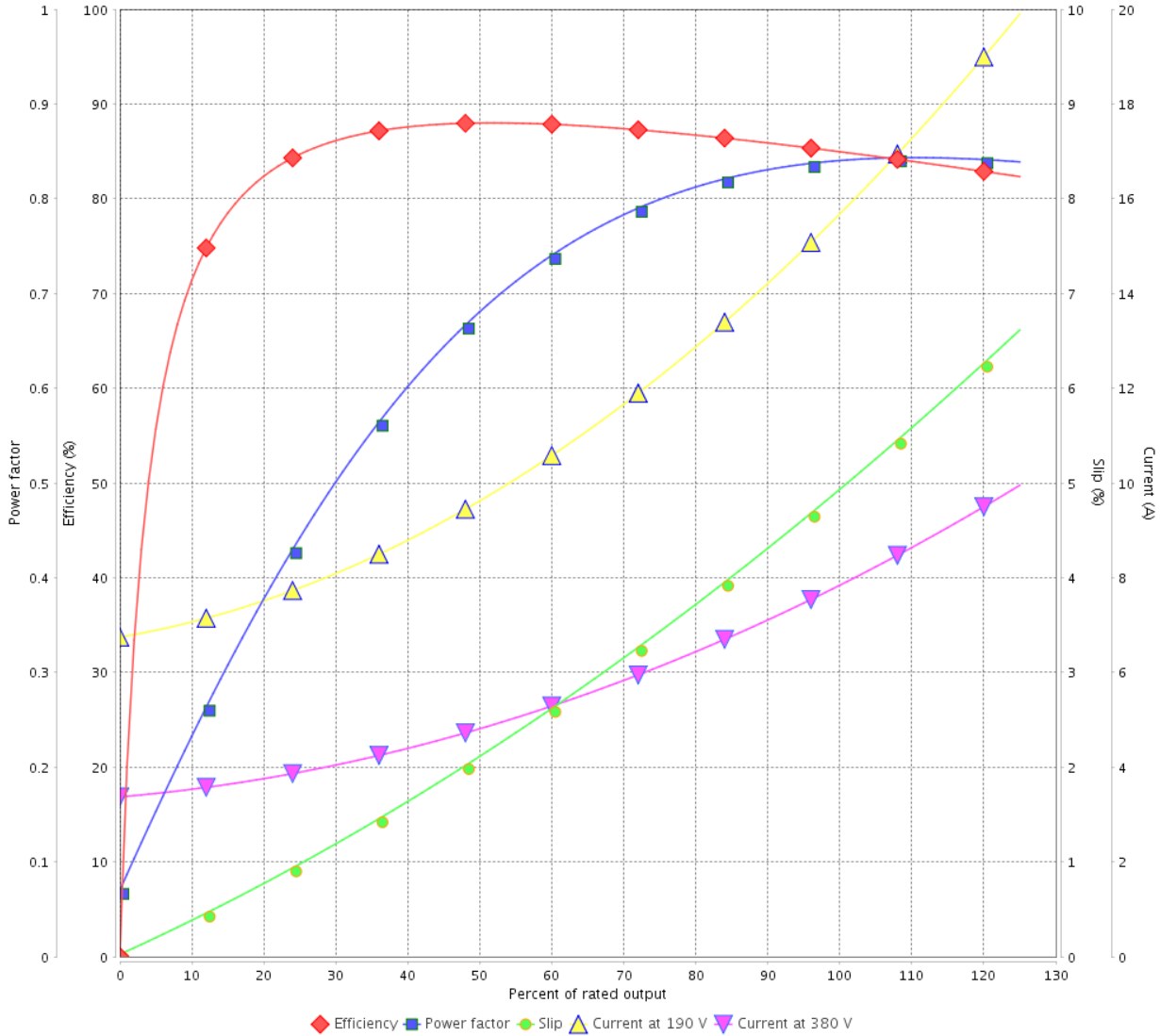
Customer :

Product line : JP Pump NEMA Premium
Efficiency Three-Phase

Product code : 14329713

Catalog # : 00518ET3E184JP-SG

LOAD PERFORMANCE CURVE



Performance : 190/380 V 50 Hz 4P

Rated current : 15.8/7.88 A
LRC : 5.8
Rated torque : 18.4 ft.lb
Locked rotor torque : 170 %
Breakdown torque : 229 %
Rated speed : 1425 rpm

Moment of inertia (J) : 0.3080 sq.ft.lb
Duty cycle : Cont.(S1)
Insulation class : F
Service factor : 1.00
Temperature rise : 105 K
Design : B

Rev.	Changes Summary	Performed	Checked	Date
Performed by			Page 6 / 16	Revision
Checked by				
Date	13/04/2022			

LOAD PERFORMANCE CURVE

Three Phase Induction Motor - Squirrel Cage

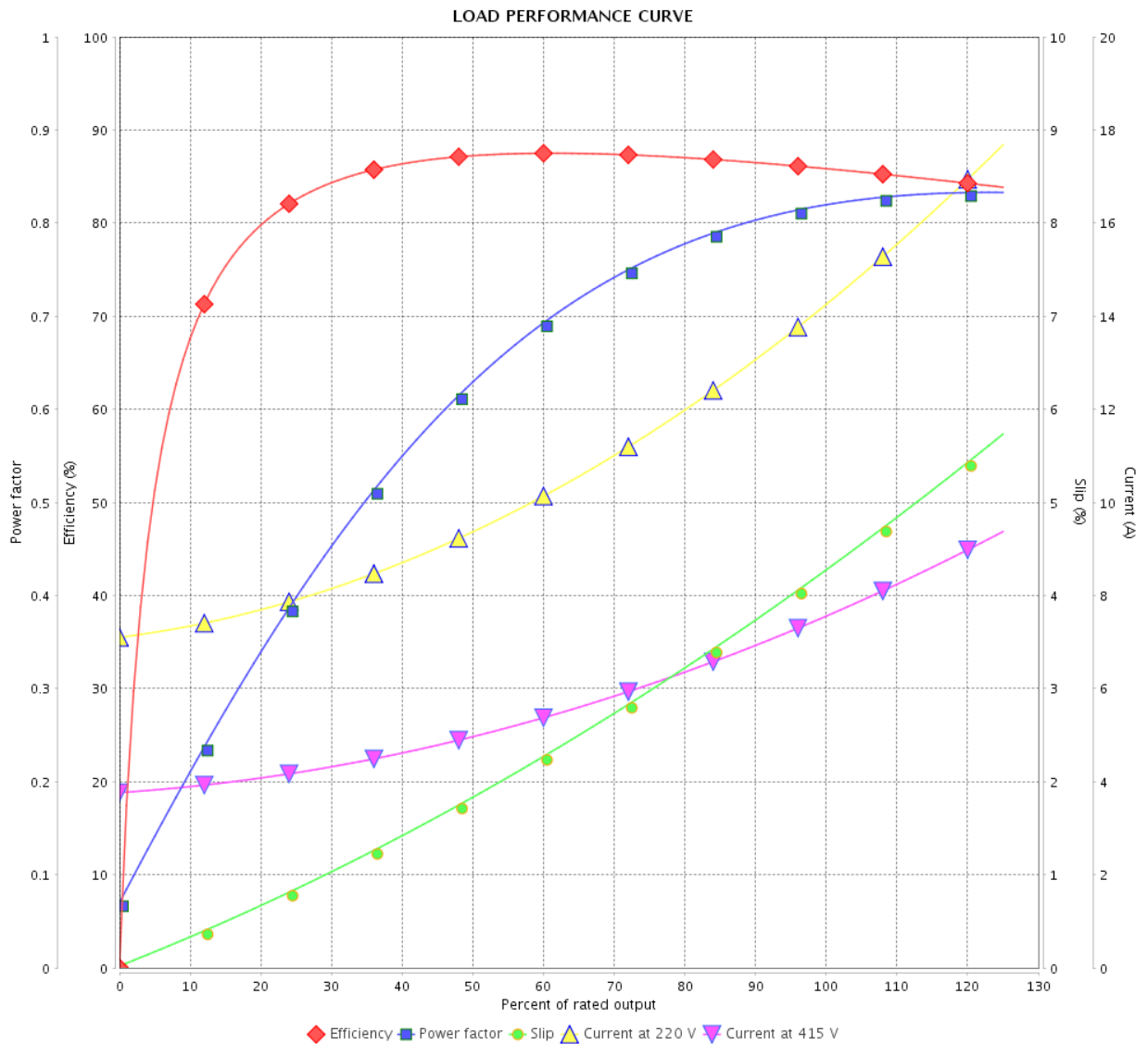


Customer : _____

Product line : JP Pump NEMA Premium
Efficiency Three-Phase

Product code : 14329713

Catalog # : 00518ET3E184JP-SG



Performance : 220/415 V 50 Hz 4P

Rated current : 14.3/7.59 A
 LRC : 6.4
 Rated torque : 18.3 ft.lb
 Locked rotor torque : 200 %
 Breakdown torque : 260 %
 Rated speed : 1435 rpm

Moment of inertia (J) : 0.3080 sq.ft.lb
 Duty cycle : Cont.(S1)
 Insulation class : F
 Service factor : 1.00
 Temperature rise : 105 K
 Design : B

Rev.	Changes Summary	Performed	Checked	Date
Performed by			Page	Revision
Checked by			7 / 16	
Date	13/04/2022			

THERMAL LIMIT CURVE



Three Phase Induction Motor - Squirrel Cage

Customer :

Product line : JP Pump NEMA Premium
Efficiency Three-Phase

Product code : 14329713

Catalog # : 00518ET3E184JP-SG

Performance : 230/460 V 60 Hz 4P

Rated current : 13.0/6.49 A
LRC : 7.0
Rated torque : 15.0 ft.lb
Locked rotor torque : 220 %
Breakdown torque : 300 %
Rated speed : 1750 rpm

Moment of inertia (J) : 0.3080 sq.ft.lb
Duty cycle : Cont.(S1)
Insulation class : F
Service factor : 1.15
Temperature rise : 80 K
Design : B

Heating constant

Cooling constant

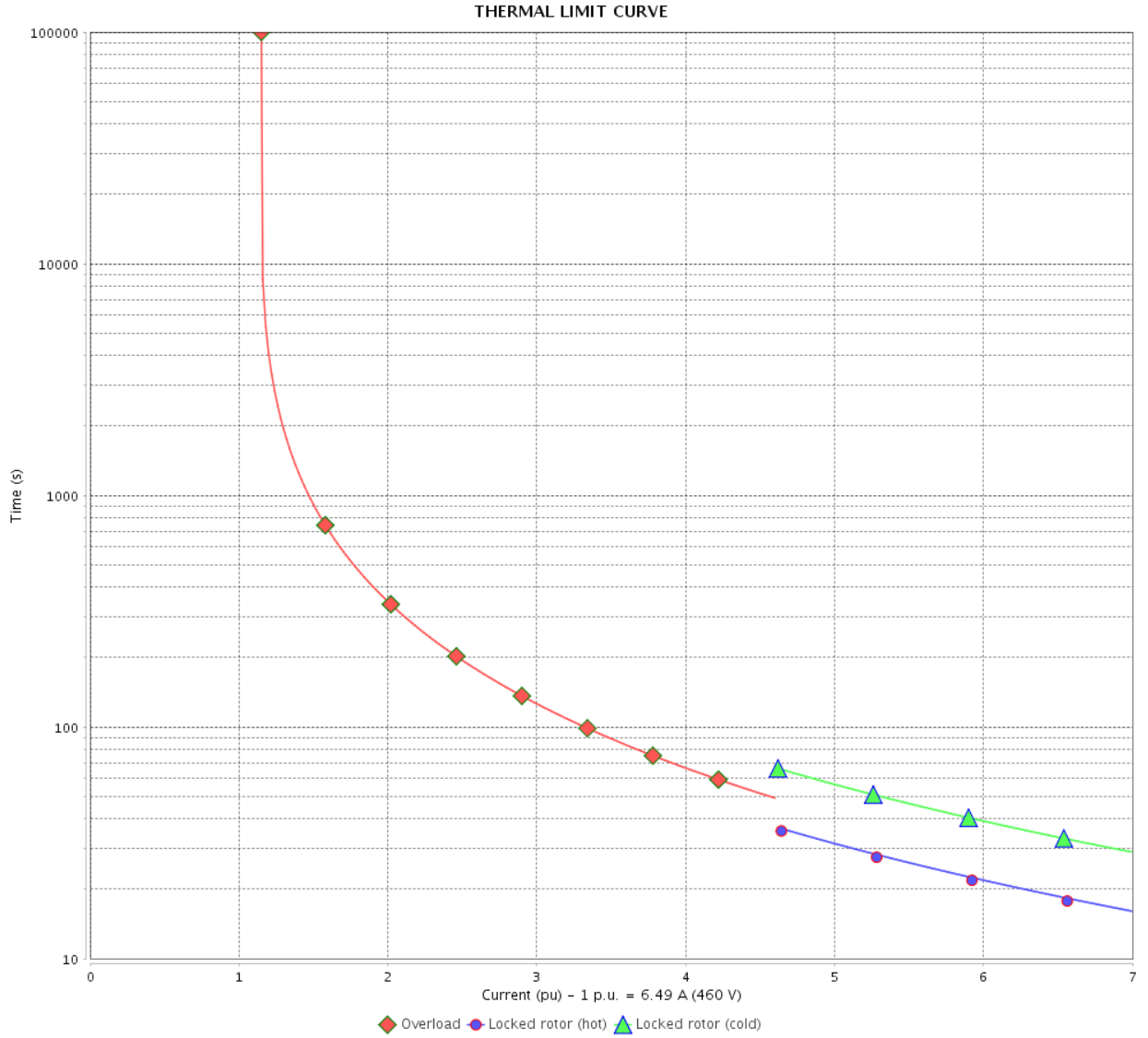
Rev.	Changes Summary	Performed	Checked	Date
Performed by				
Checked by			Page	Revision
Date	13/04/2022		8 / 16	

THERMAL LIMIT CURVE

Three Phase Induction Motor - Squirrel Cage



Customer : _____



Rev.	Changes Summary	Performed	Checked	Date
Performed by		Page 9 / 16		Revision
Checked by				
Date				

THERMAL LIMIT CURVE



Three Phase Induction Motor - Squirrel Cage

Customer :

Product line : JP Pump NEMA Premium
Efficiency Three-Phase

Product code : 14329713

Catalog # : 00518ET3E184JP-SG

Performance : 190/380 V 50 Hz 4P

Rated current : 15.8/7.88 A
LRC : 5.8
Rated torque : 18.4 ft.lb
Locked rotor torque : 170 %
Breakdown torque : 229 %
Rated speed : 1425 rpm

Moment of inertia (J) : 0.3080 sq.ft.lb
Duty cycle : Cont.(S1)
Insulation class : F
Service factor : 1.00
Temperature rise : 105 K
Design : B

Heating constant

Cooling constant

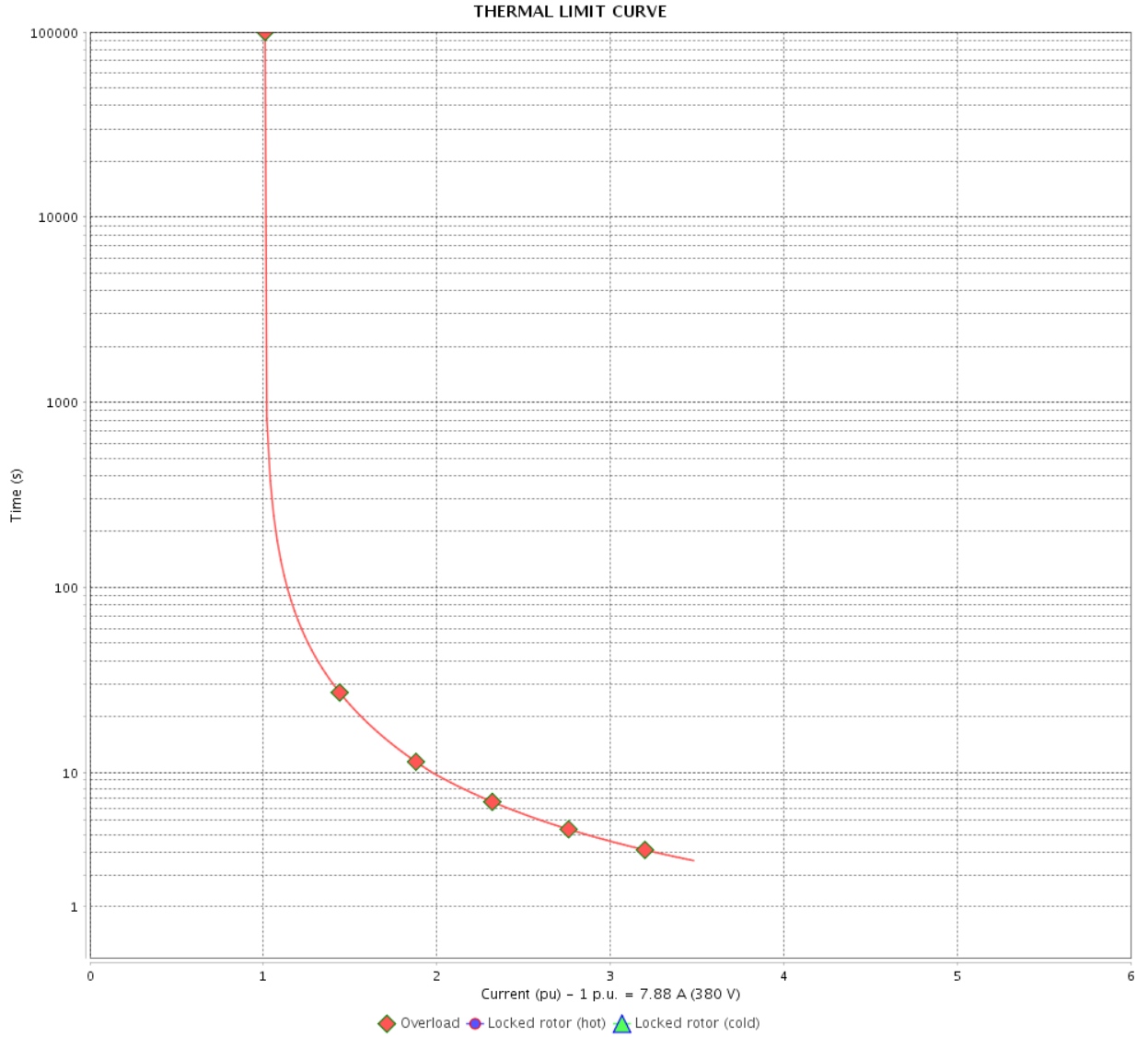
Rev.	Changes Summary	Performed	Checked	Date
Performed by				
Checked by			Page	Revision
Date	13/04/2022		10 / 16	

THERMAL LIMIT CURVE

Three Phase Induction Motor - Squirrel Cage



Customer : _____



Rev.	Changes Summary	Performed	Checked	Date
Performed by		Page		Revision
Checked by		11 / 16		
Date		13/04/2022		

THERMAL LIMIT CURVE



Three Phase Induction Motor - Squirrel Cage

Customer :

Product line : JP Pump NEMA Premium
Efficiency Three-Phase

Product code : 14329713

Catalog # : 00518ET3E184JP-SG

Performance : 220/415 V 50 Hz 4P

Rated current : 14.3/7.59 A
LRC : 6.4
Rated torque : 18.3 ft.lb
Locked rotor torque : 200 %
Breakdown torque : 260 %
Rated speed : 1435 rpm

Moment of inertia (J) : 0.3080 sq.ft.lb
Duty cycle : Cont.(S1)
Insulation class : F
Service factor : 1.00
Temperature rise : 105 K
Design : B

Heating constant

Cooling constant

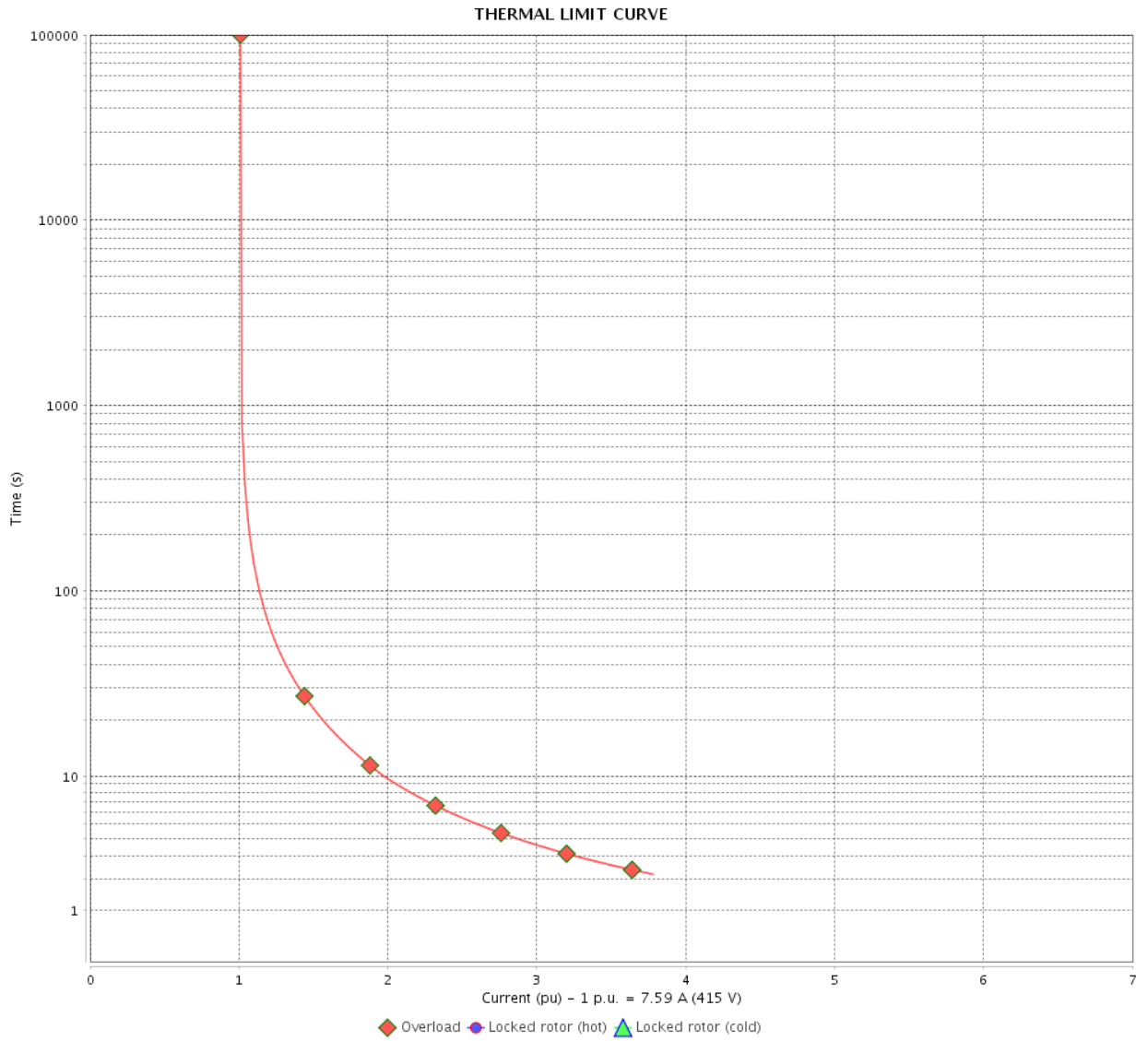
Rev.	Changes Summary	Performed	Checked	Date
Performed by				
Checked by			Page	Revision
Date	13/04/2022		12 / 16	

THERMAL LIMIT CURVE

Three Phase Induction Motor - Squirrel Cage



Customer : _____



Rev.	Changes Summary	Performed	Checked	Date
Performed by		Page		Revision
Checked by		13 / 16		
Date		13/04/2022		

VFD OPERATION CURVE

Three Phase Induction Motor - Squirrel Cage



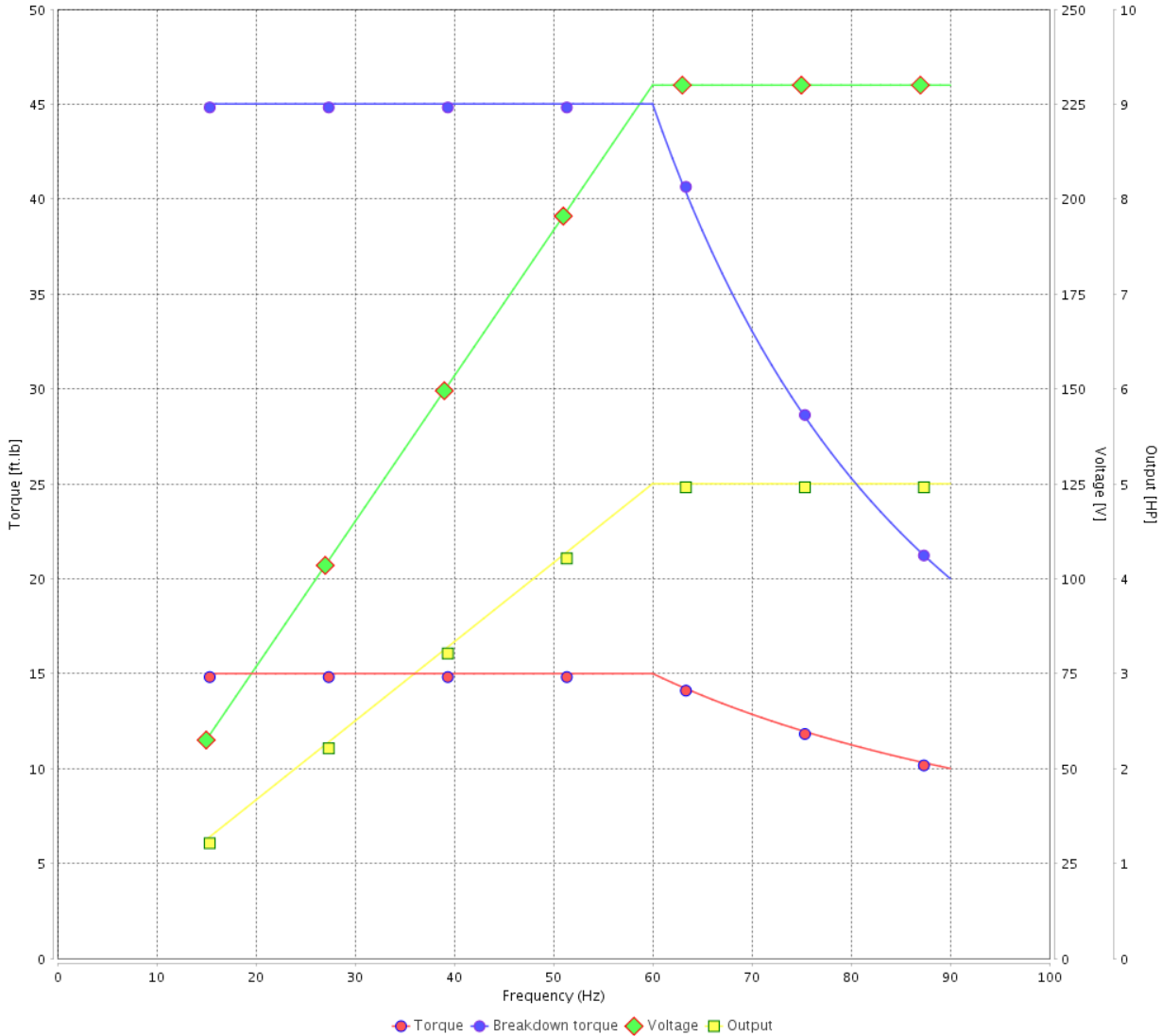
Customer :

Product line : JP Pump NEMA Premium Efficiency Three-Phase

Product code : 14329713

Catalog # : 00518ET3E184JP-SG

VFD OPERATION CURVE



Performance : 230/460 V 60 Hz 4P

Rated current : 13.0/6.49 A
 LRC : 7.0
 Rated torque : 15.0 ft.lb
 Locked rotor torque : 220 %
 Breakdown torque : 300 %
 Rated speed : 1750 rpm

Moment of inertia (J) : 0.3080 sq.ft.lb
 Duty cycle : Cont.(S1)
 Insulation class : F
 Service factor : 1.15
 Temperature rise : 80 K
 Design : B

Rev.	Changes Summary	Performed	Checked	Date
Performed by			Page	Revision
Checked by				
Date				

VFD OPERATION CURVE

Three Phase Induction Motor - Squirrel Cage

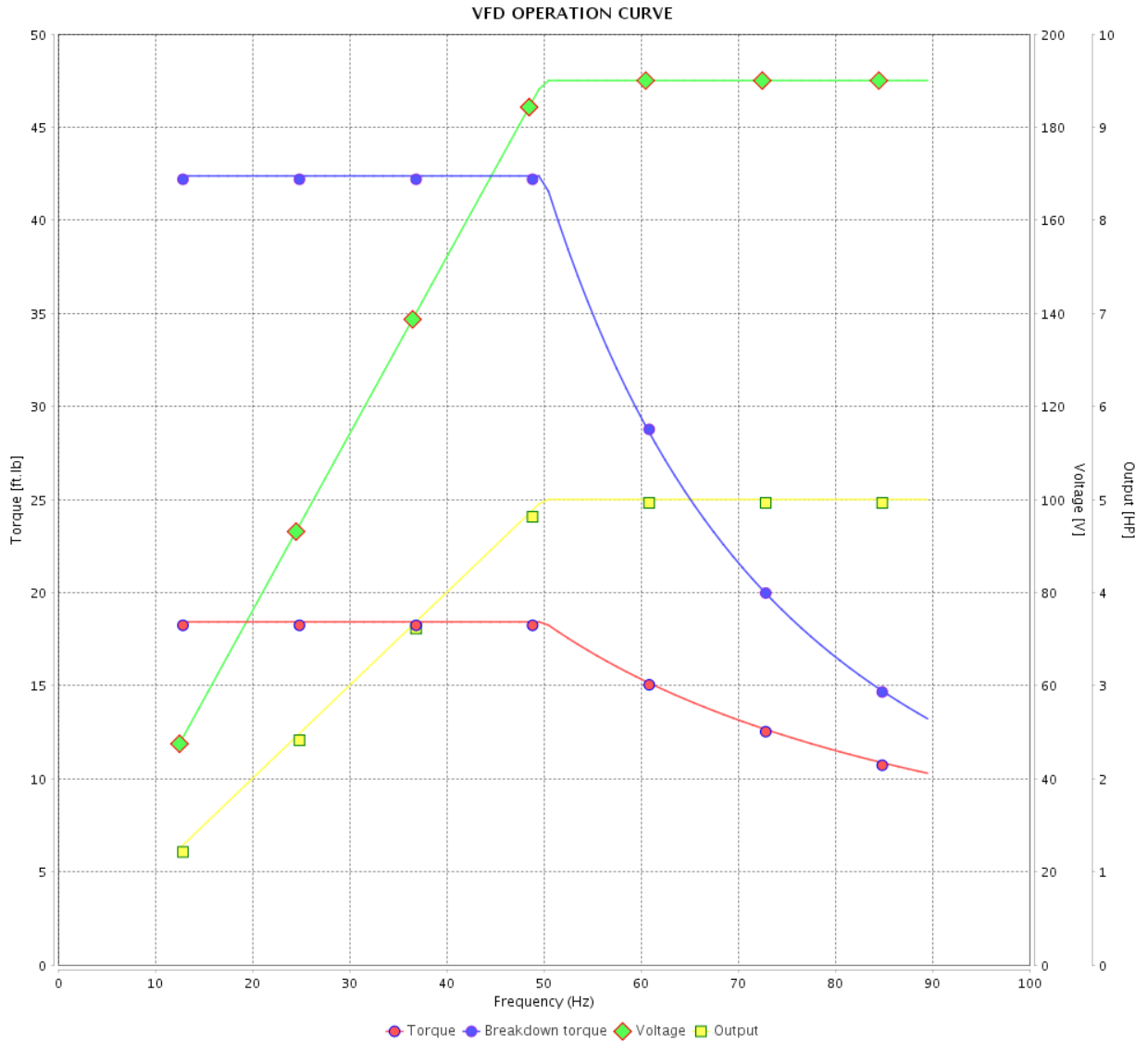


Customer :

Product line : JP Pump NEMA Premium Efficiency Three-Phase

Product code : 14329713

Catalog # : 00518ET3E184JP-SG



Performance : 190/380 V 50 Hz 4P

Rated current : 15.8/7.88 A
 LRC : 5.8
 Rated torque : 18.4 ft.lb
 Locked rotor torque : 170 %
 Breakdown torque : 229 %
 Rated speed : 1425 rpm

Moment of inertia (J) : 0.3080 sq.ft.lb
 Duty cycle : Cont.(S1)
 Insulation class : F
 Service factor : 1.00
 Temperature rise : 105 K
 Design : B

Rev.	Changes Summary	Performed	Checked	Date
Performed by			Page 15 / 16	Revision
Checked by				
Date	13/04/2022			

VFD OPERATION CURVE

Three Phase Induction Motor - Squirrel Cage



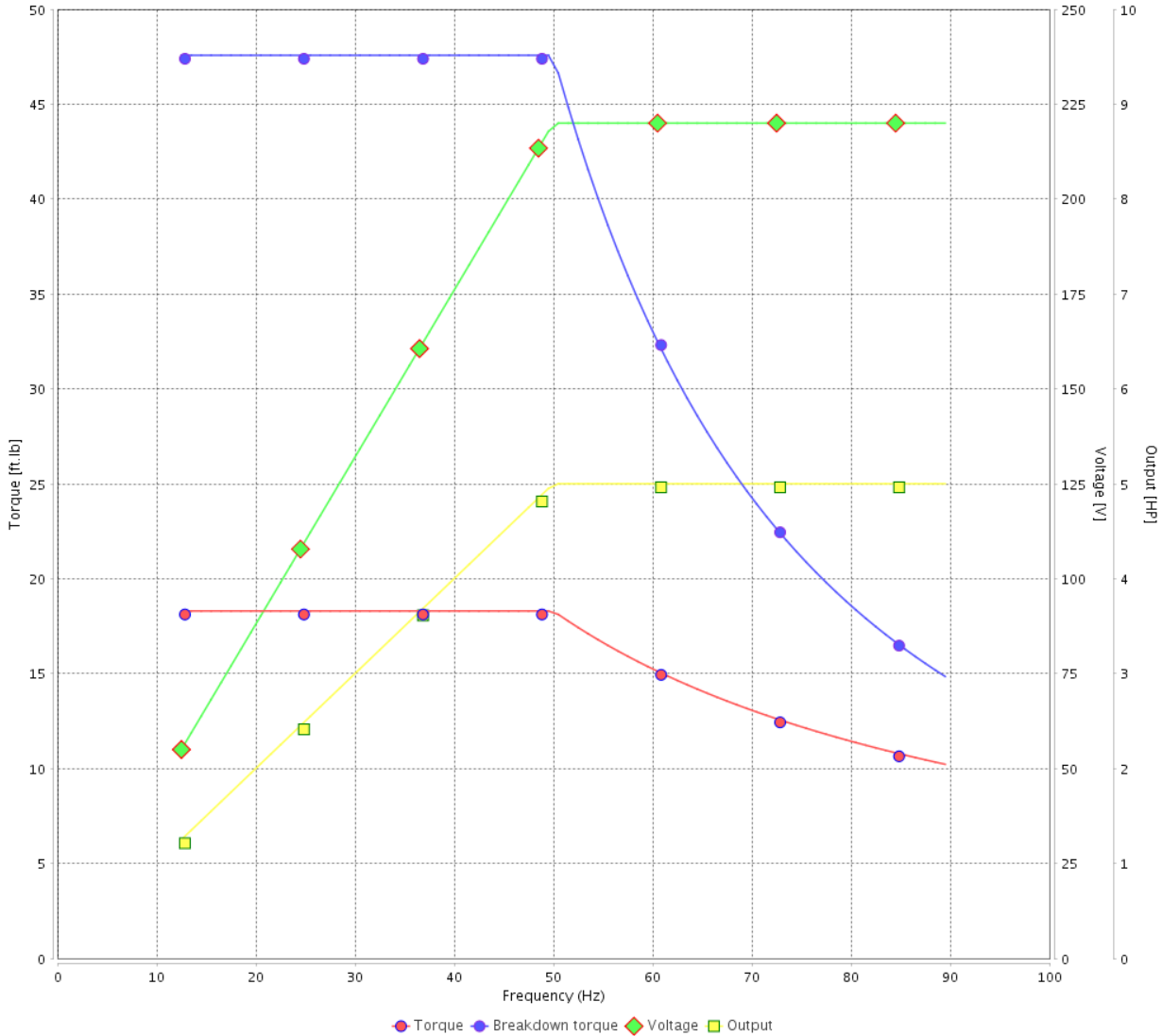
Customer :

Product line : JP Pump NEMA Premium Efficiency Three-Phase

Product code : 14329713

Catalog # : 00518ET3E184JP-SG

VFD OPERATION CURVE



Performance : 220/415 V 50 Hz 4P

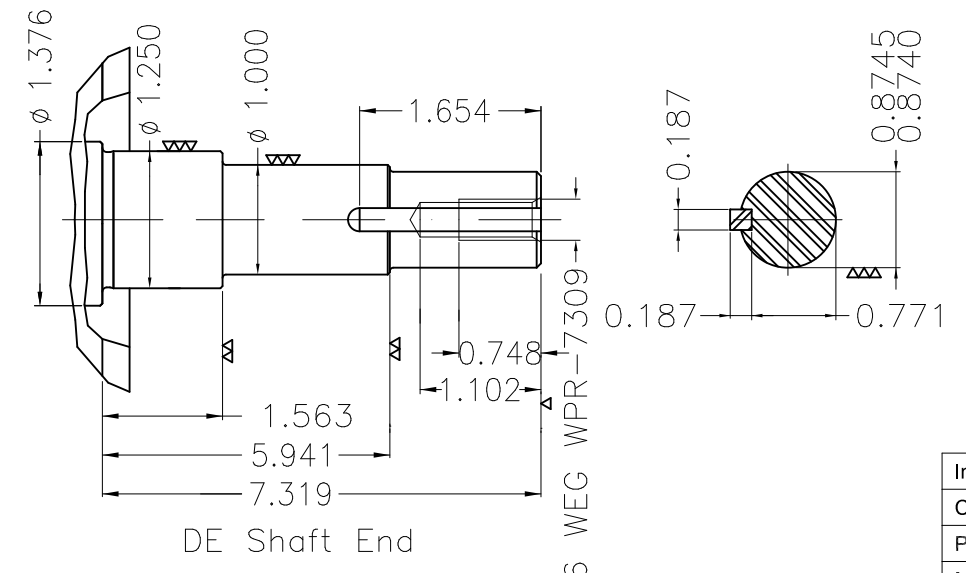
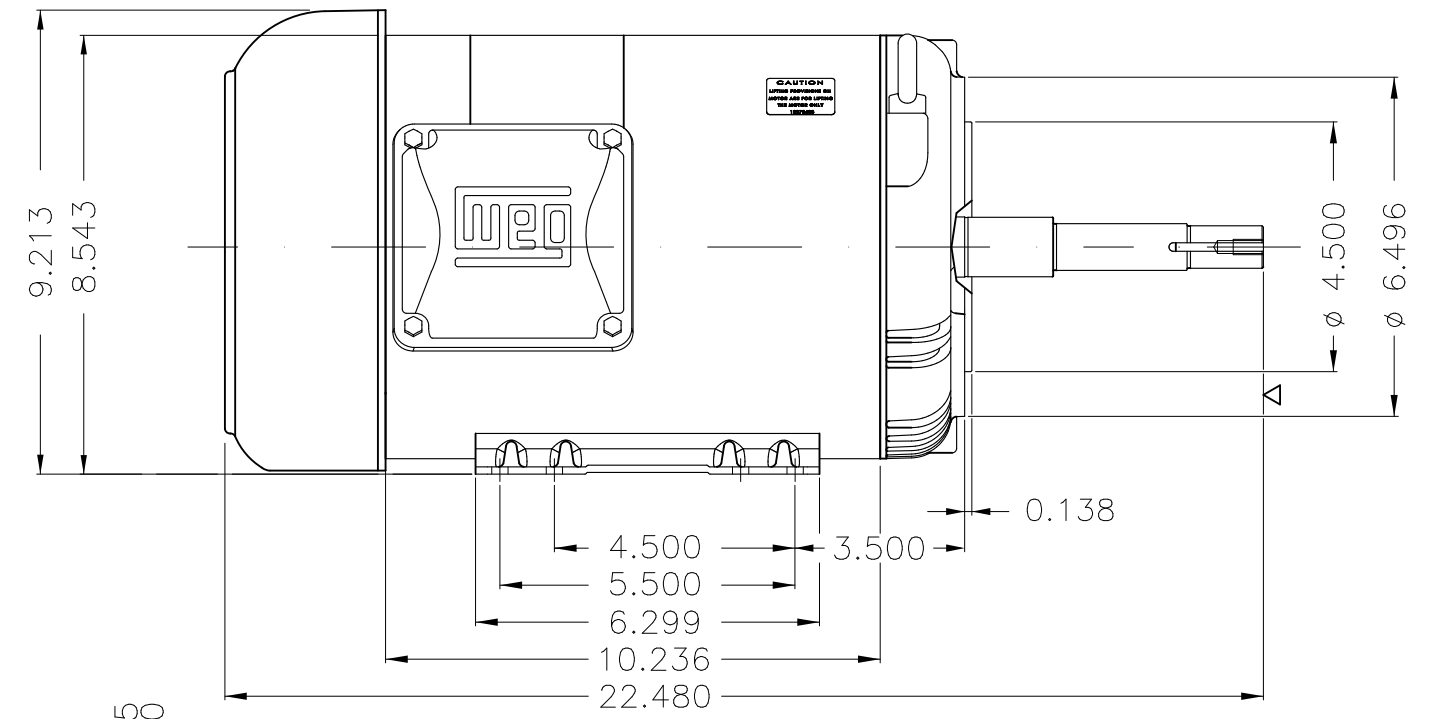
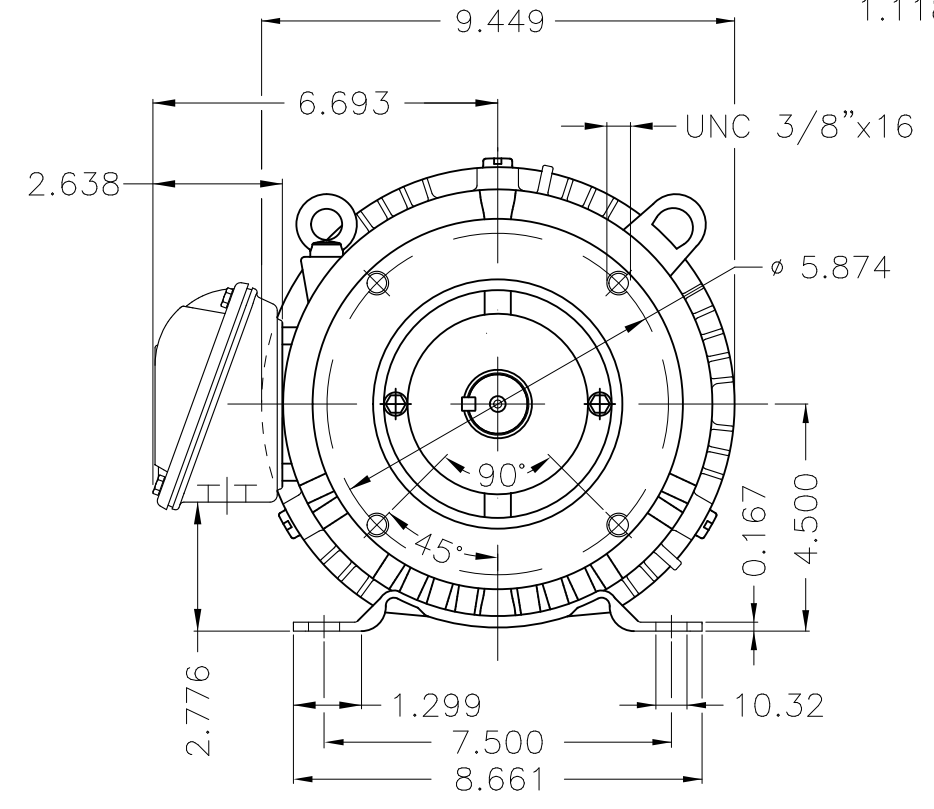
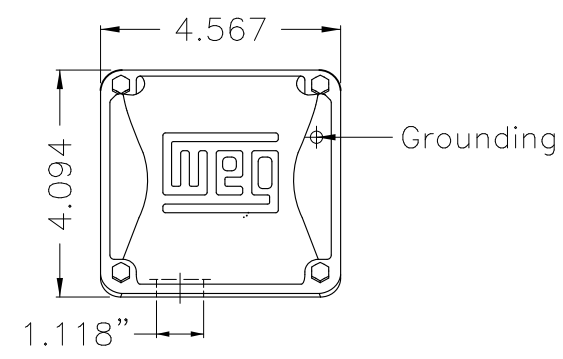
Rated current : 14.3/7.59 A
 LRC : 6.4
 Rated torque : 18.3 ft.lb
 Locked rotor torque : 200 %
 Breakdown torque : 260 %
 Rated speed : 1435 rpm

Moment of inertia (J) : 0.3080 sq.ft.lb
 Duty cycle : Cont.(S1)
 Insulation class : F
 Service factor : 1.00
 Temperature rise : 105 K
 Design : B

Rev.	Changes Summary	Performed	Checked	Date
Performed by			Page	Revision
Checked by				
Date				

1 2 3 4 5 6

A
B
C
D
E



EUNC 3/8"-16 WEG WPR-7309

DE Shaft End

Internal AEGIS ground ring on the DE
 Color Munsell N 1 matte black
 Painting plan 207N
 Mounting F-1/B34R(D)

ECM	LOC	SUMMARY OF MODIFICATIONS	EXECUTED	CHECKED	RELEASED	DATE	VER
EXECUTED	PIRWBUSER	THREE PH. MOTOR ROLLED STEEL CLOSE COUPLED PUMP JP 300 DE PRELIMET					
CHECKED		FRAME 182/4JP IP55 TEFC					
RELEASED							
REL DT.	WMO	Jaragua do Sul	Product Engineering	WDD	SHEET	1 / 1	

5 HP 04 Poles 60 Hz

