

# DATA SHEET



## Three Phase Induction Motor - Squirrel Cage

Customer :				
Product line	: JM Pump NEMA Premium Efficiency Three-Phase			
Product code :	13180546			
Catalog # :	00518ET3H184JM-S			
Frame : 182/4JM Output : 5 HP (3.7 kW) Poles : 4 Frequency : 60 Hz Rated voltage : 575 V Rated current : 5.19 A L. R. Amperes : 36.3 A LRC : 7.0x(Code J) No load current : 2.75 A Rated speed : 1750 rpm Slip : 2.78 % Rated torque : 15.0 ft.lb Locked rotor torque : 220 % Breakdown torque : 300 % Insulation class : F Service factor : 1.15 Moment of inertia (J) : 0.3080 sq.ft.lb Design : B	Locked rotor time : 28s (cold) 16s (hot) Temperature rise : 80 K Duty cycle : Cont.(S1) Ambient temperature : -20°C to +40°C Altitude : 1000 m.a.s.l. Protection degree : IP55 Cooling method : IC411 - TEFC Mounting : F-1 Rotation <sup>1</sup> : Both (CW and CCW) Noise level <sup>2</sup> : 56.0 dB(A) Starting method : Direct On Line Approx. weight <sup>3</sup> : 83.8 lb			
Output	25%    50%    75%    100%			
Efficiency (%)	88.2    88.5    89.5    89.5			
Power Factor	0.35    0.60    0.73    0.80			
Foundation loads				
Max. traction	: 246 lb			
Max. compression	: 329 lb			
Bearing type	: <u>Drive end</u> 6207 ZZ <u>Non drive end</u> 6205 ZZ			
Sealing	: V'Ring    Without Bearing Seal			
Lubrication interval	: -    -			
Lubricant amount	: -    -			
Lubricant type	: Mobil Polyrex EM			
Notes				
This revision replaces and cancel the previous one, which must be eliminated. (1) Looking the motor from the shaft end. (2) Measured at 1m and with tolerance of +3dB(A). (3) Approximate weight subject to changes after manufacturing process. (4) At 100% of full load.				
These are average values based on tests with sinusoidal power supply, subject to the tolerances stipulated in NEMA MG-1.				
Rev.	Changes Summary	Performed	Checked	Date
Performed by				
Checked by			Page	Revision
Date	13/04/2022		1 / 6	

# TORQUE AND CURRENT VS SPEED CURVE

Three Phase Induction Motor - Squirrel Cage



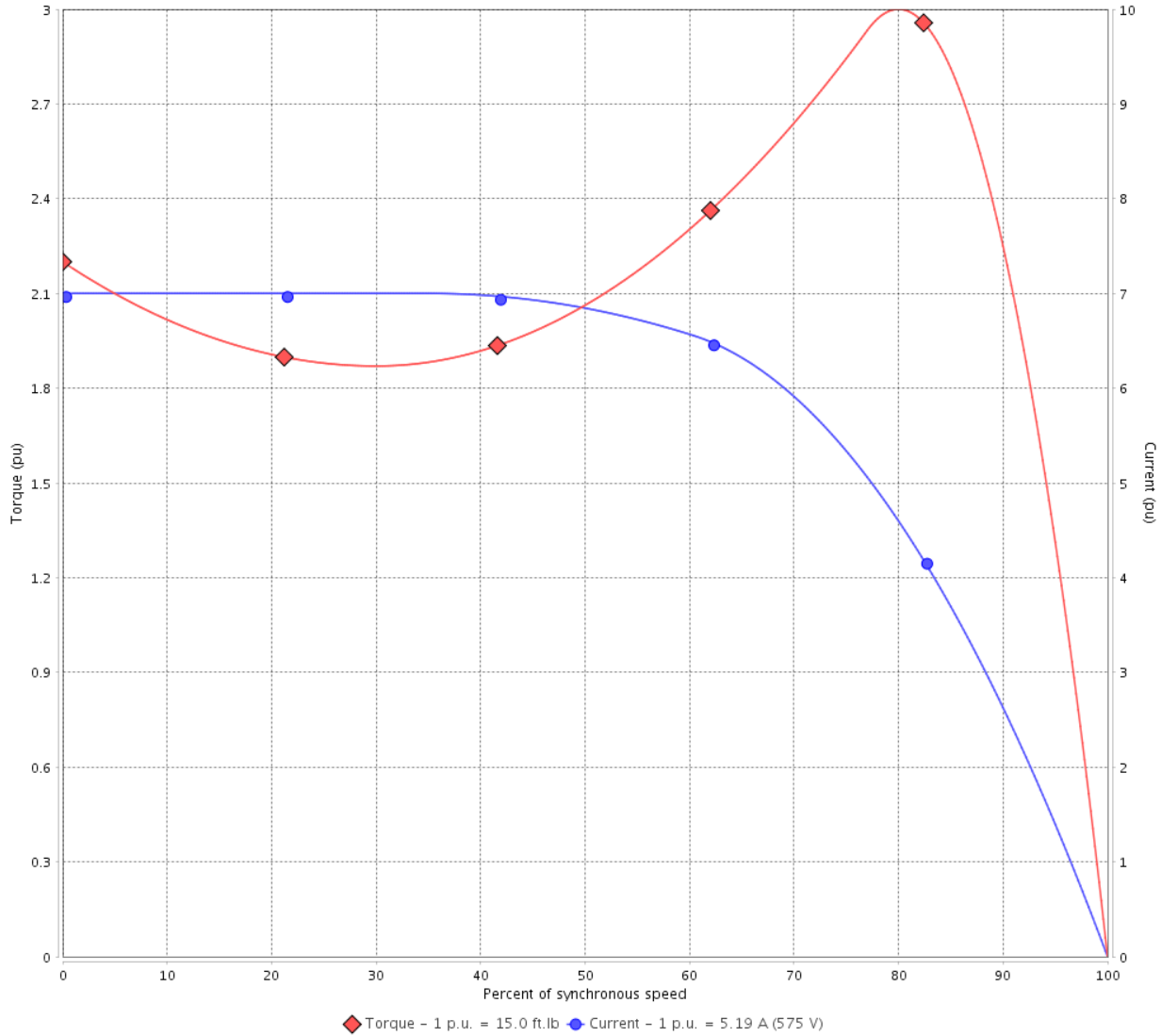
Customer :

Product line : JM Pump NEMA Premium  
Efficiency Three-Phase

Product code : 13180546

Catalog # : 00518ET3H184JM-S

TORQUE AND CURRENT VS SPEED CURVE



Performance : 575 V 60 Hz 4P

Rated current	: 5.19 A	Moment of inertia (J)	: 0.3080 sq.ft.lb
LRC	: 7.0	Duty cycle	: Cont.(S1)
Rated torque	: 15.0 ft.lb	Insulation class	: F
Locked rotor torque	: 220 %	Service factor	: 1.15
Breakdown torque	: 300 %	Temperature rise	: 80 K
Rated speed	: 1750 rpm	Design	: B

Locked rotor time : 28s (cold) 16s (hot)

Rev.	Changes Summary	Performed	Checked	Date
Performed by			Page 2 / 6	Revision
Checked by				
Date	13/04/2022			

# LOAD PERFORMANCE CURVE

## Three Phase Induction Motor - Squirrel Cage

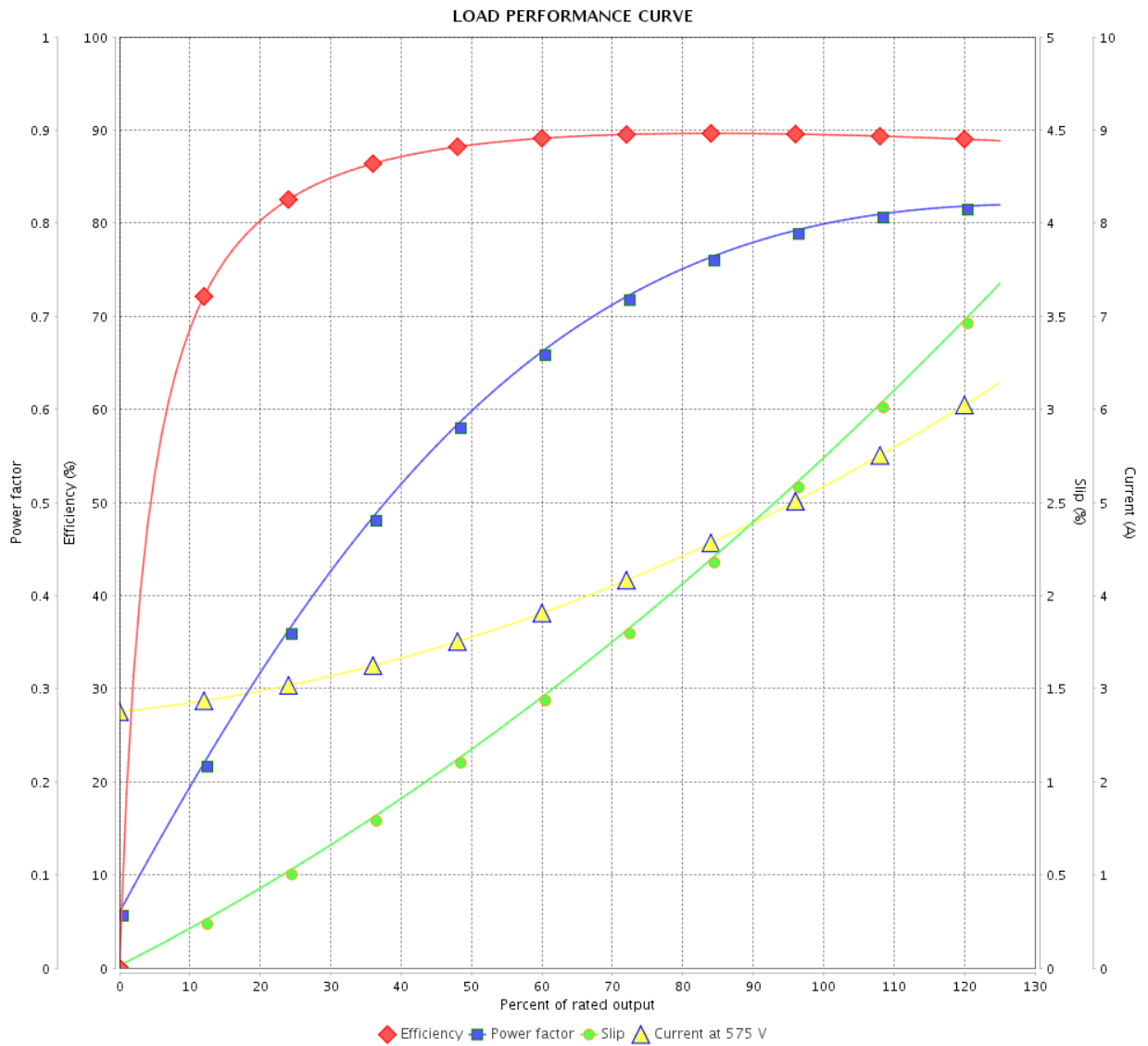


Customer :

Product line : JM Pump NEMA Premium Efficiency Three-Phase

Product code : 13180546

Catalog # : 00518ET3H184JM-S



Performance : 575 V 60 Hz 4P

Rated current : 5.19 A  
 LRC : 7.0  
 Rated torque : 15.0 ft.lb  
 Locked rotor torque : 220 %  
 Breakdown torque : 300 %  
 Rated speed : 1750 rpm

Moment of inertia (J) : 0.3080 sq.ft.lb  
 Duty cycle : Cont.(S1)  
 Insulation class : F  
 Service factor : 1.15  
 Temperature rise : 80 K  
 Design : B

Rev.	Changes Summary	Performed	Checked	Date
Performed by			Page	Revision
Checked by			3 / 6	
Date	13/04/2022			

# THERMAL LIMIT CURVE



## Three Phase Induction Motor - Squirrel Cage

Customer :

Product line : JM Pump NEMA Premium  
Efficiency Three-Phase

Product code : 13180546

Catalog # : 00518ET3H184JM-S

Performance : 575 V 60 Hz 4P

Rated current : 5.19 A  
LRC : 7.0  
Rated torque : 15.0 ft.lb  
Locked rotor torque : 220 %  
Breakdown torque : 300 %  
Rated speed : 1750 rpm

Moment of inertia (J) : 0.3080 sq.ft.lb  
Duty cycle : Cont.(S1)  
Insulation class : F  
Service factor : 1.15  
Temperature rise : 80 K  
Design : B

Heating constant

Cooling constant

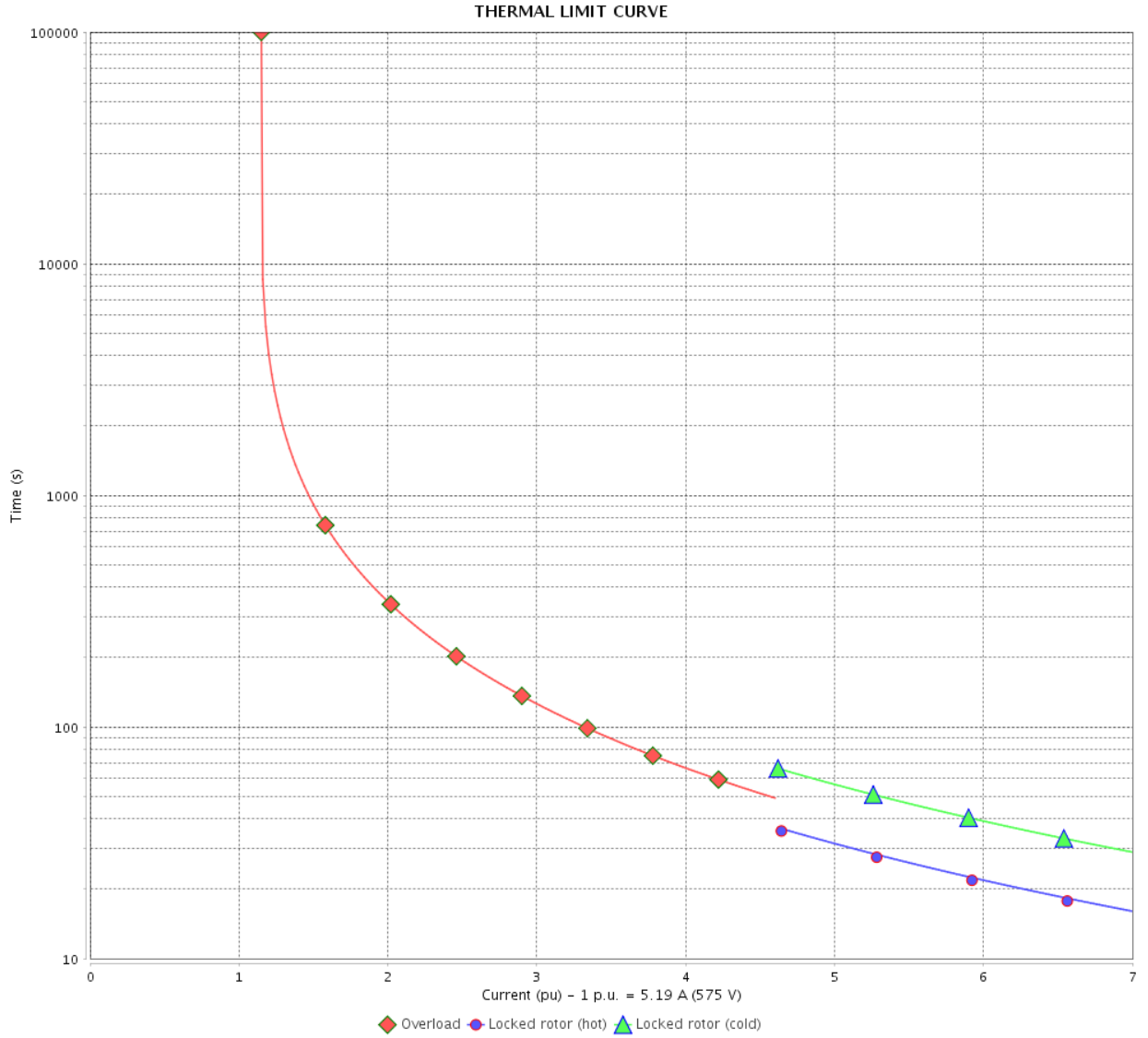
Rev.	Changes Summary	Performed	Checked	Date
Performed by				
Checked by			Page	Revision
Date	13/04/2022		4 / 6	

# THERMAL LIMIT CURVE

Three Phase Induction Motor - Squirrel Cage



Customer : \_\_\_\_\_



Rev.	Changes Summary	Performed	Checked	Date
Performed by		Page 5 / 6		Revision
Checked by				
Date				

# VFD OPERATION CURVE

Three Phase Induction Motor - Squirrel Cage



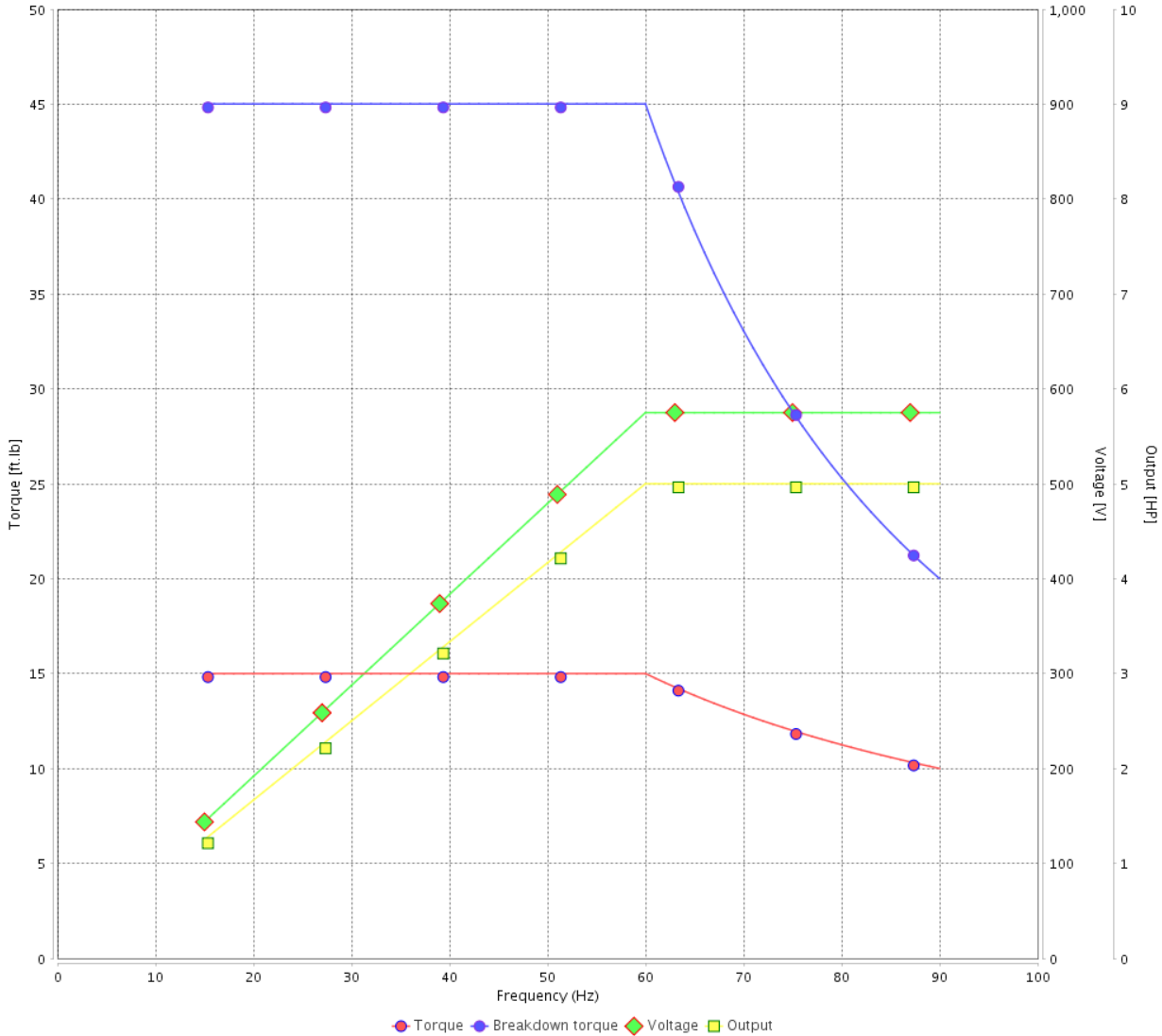
Customer : \_\_\_\_\_

Product line : JM Pump NEMA Premium Efficiency Three-Phase

Product code : 13180546

Catalog # : 00518ET3H184JM-S

VFD OPERATION CURVE



Performance : 575 V 60 Hz 4P

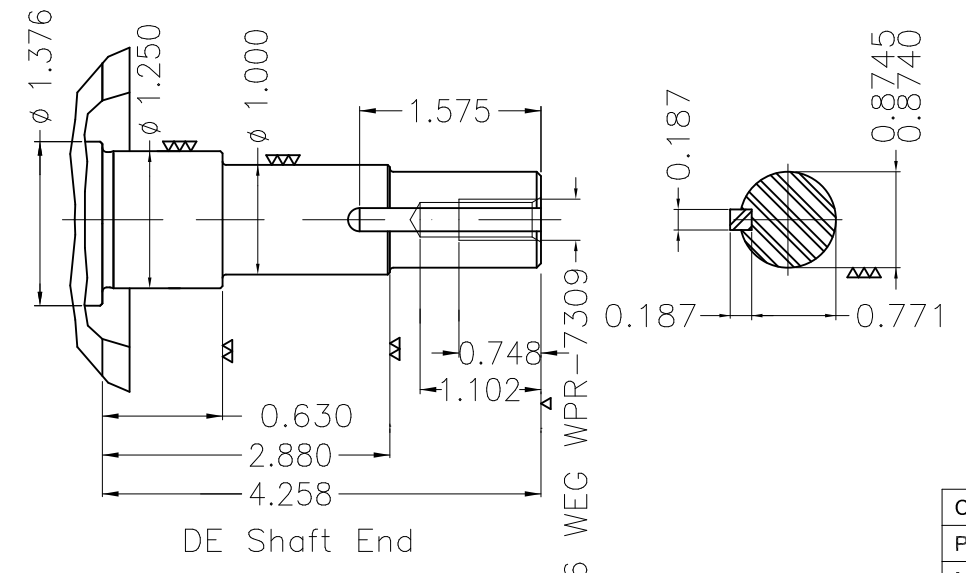
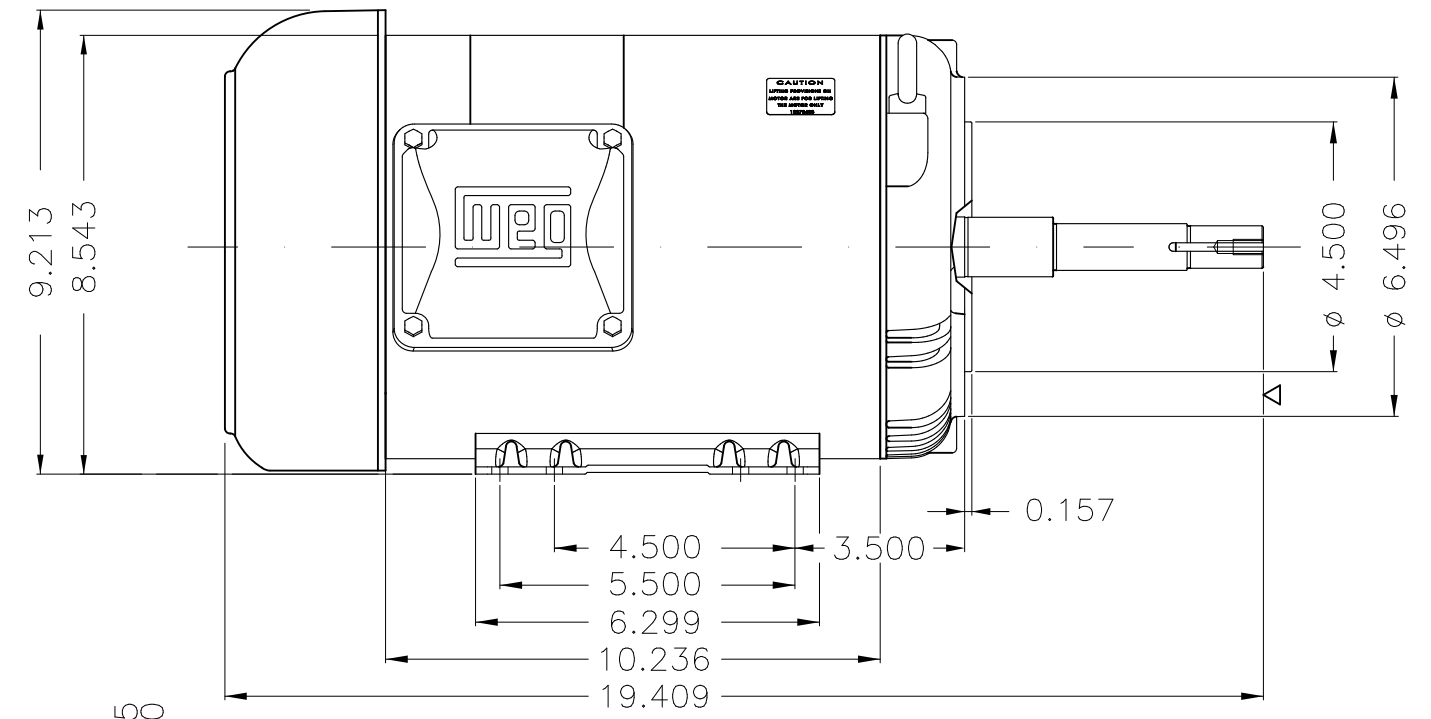
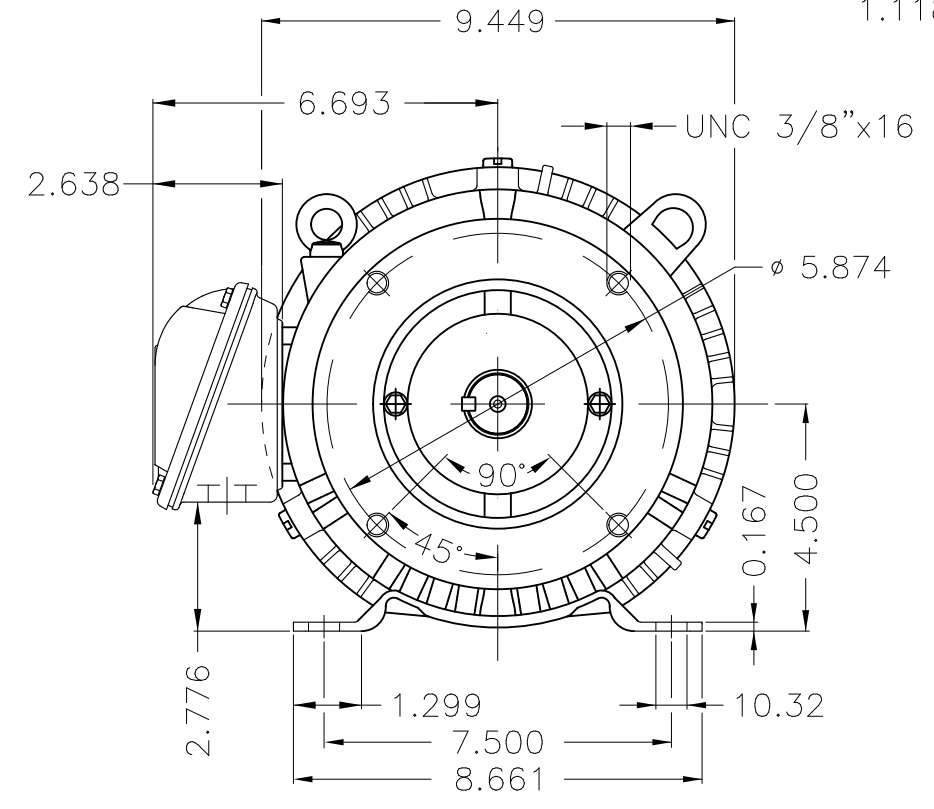
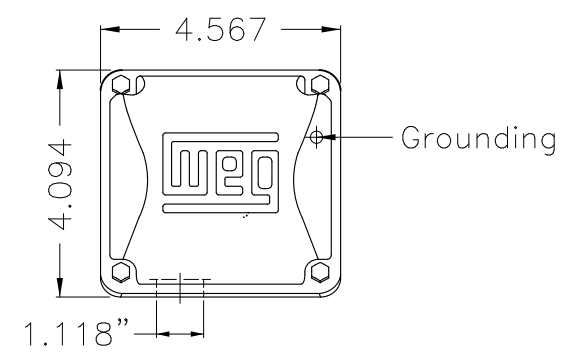
Rated current : 5.19 A  
 LRC : 7.0  
 Rated torque : 15.0 ft.lb  
 Locked rotor torque : 220 %  
 Breakdown torque : 300 %  
 Rated speed : 1750 rpm

Moment of inertia (J) : 0.3080 sq.ft.lb  
 Duty cycle : Cont.(S1)  
 Insulation class : F  
 Service factor : 1.15  
 Temperature rise : 80 K  
 Design : B

Rev.	Changes Summary	Performed	Checked	Date
Performed by			Page 6 / 6	Revision
Checked by				
Date	13/04/2022			

1 2 3 4 5 6

A  
B  
C  
D  
E



EUNC 3/8"-16 WEG WPR-7309

DE Shaft End

Color Munsell N 1 matte black										
Painting plan 207N										
Mounting F-1/B34R(D)										
ECM	LOC	SUMMARY OF MODIFICATIONS				EXECUTED	CHECKED	RELEASED	DATE	VER
EXECUTED	PIRWUSER	THREE PH. MOTOR ROLLED STEEL CLOSE COUPLED PUMP JM TYPE PSEF 575				PREVIEW	WDD	SHEET	1 / 1	
CHECKED		FRAME 182/4JM IP55 TEFC								
RELEASED										
REL DT.	WMO	Jaragua do Sul	Product Engineering							

5 HP 04 Poles 60 Hz

Dimensions in inches XME A3



**NEMA**  
**Premium**



MADE IN MEXICO

**MAT: 13180546 CC029A**

**W01.TE0IC0X0N**

**MODEL 00518ET3H184JM-S**

**19APR2022 S/N:**

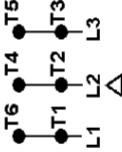
**For 60Hz: Class I, Zone 2, IIC  
Class I, Div.2, Gr. A,B,C,D - T3  
DIV 2 Inverter Duty (SF1.00)**

**CT 2:1/VT 1000:1**

PH 3	Hz 60	HP 5.0
FR 182/4JM		KW 3.7
DUTY CONT.		V 575
ALT 1000 m.a.s.l.		A 5.19
INS CL F AT 80K	IP55	SFA 5.97
AMB 40°C	DES B	SF 1.15
ENCL TEFC	CODE J	PF 0.80
		RPM 1750
		NEMA NOM. EFF 89.5%

**For safe area-Inverter duty motor For use on VPWM 1000:1 VT, 4:1 CT**

**DE 6207-ZZ ODE 6205-ZZ MOBIL POLYREX EM**



T1-BLU  
T2-WHT  
T3-ORG  
T4-YEL  
T5-BLK  
T6-GRY

**INTERCHANGE ANY TWO LINE WIRES TO REVERSE THE ROTATION**

**WARNING:** Motor must be grounded in accordance with local and national electrical codes to prevent serious electrical shocks. Disconnect power source before servicing unit.



**AVERTISSEMENT:** Le moteur doit être mis à la terre

conformément aux codes électriques locaux et nationaux afin d'éviter tout

choc électrique grave. Déconnectez l'alimentation avant l'entretien de la machine.

