

DATA SHEET



Three Phase Induction Motor - Squirrel Cage

Customer :				
Product line	: NEMA Premium Efficiency Three-Phase			
Product code :	12939083			
Catalog # :	00518ET3H184T-SRT			
Frame : 182/4T Output : 5 HP (3.7 kW) Poles : 4 Frequency : 60 Hz Rated voltage : 575 V Rated current : 5.19 A L. R. Amperes : 36.3 A LRC : 7.0x(Code J) No load current : 2.75 A Rated speed : 1750 rpm Slip : 2.78 % Rated torque : 15.0 ft.lb Locked rotor torque : 220 % Breakdown torque : 300 % Insulation class : F Service factor : 1.15 Moment of inertia (J) : 0.3080 sq.ft.lb Design : B	Locked rotor time : 28s (cold) 16s (hot) Temperature rise : 80 K Duty cycle : Cont.(S1) Ambient temperature : -20°C to +40°C Altitude : 1000 m.a.s.l. Protection degree : IP55 Cooling method : IC411 - TEFC Mounting : F-1 Rotation ¹ : Both (CW and CCW) Noise level ² : 56.0 dB(A) Starting method : Direct On Line Approx. weight ³ : 76.7 lb			
Output	25% 50% 75% 100%			
Efficiency (%)	88.2 88.5 89.5 89.5			
Power Factor	0.35 0.60 0.73 0.80			
Foundation loads				
Max. traction	: 249 lb			
Max. compression	: 326 lb			
Bearing type	: <u>Drive end</u> 6206 ZZ <u>Non drive end</u> 6205 ZZ			
Sealing	: V'Ring Without Bearing Seal			
Lubrication interval	: - -			
Lubricant amount	: - -			
Lubricant type	: Mobil Polyrex EM			
Notes				
This revision replaces and cancel the previous one, which must be eliminated. (1) Looking the motor from the shaft end. (2) Measured at 1m and with tolerance of +3dB(A). (3) Approximate weight subject to changes after manufacturing process. (4) At 100% of full load.				
These are average values based on tests with sinusoidal power supply, subject to the tolerances stipulated in NEMA MG-1.				
Rev.	Changes Summary	Performed	Checked	Date
Performed by				
Checked by			Page	Revision
Date	12/04/2022		1 / 6	

TORQUE AND CURRENT VS SPEED CURVE

Three Phase Induction Motor - Squirrel Cage



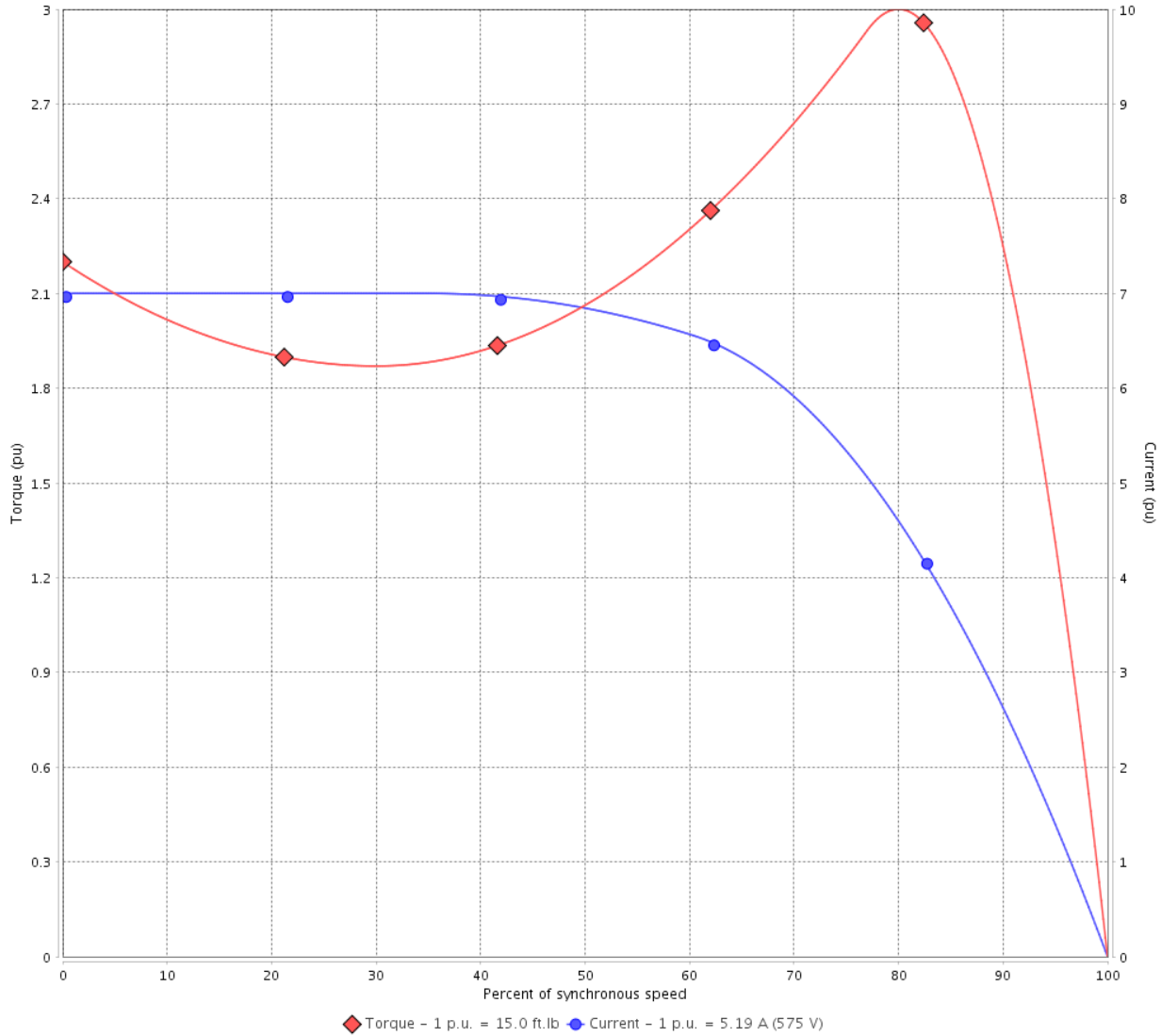
Customer :

Product line : NEMA Premium Efficiency Three-Phase

Product code : 12939083

Catalog # : 00518ET3H184T-SRT

TORQUE AND CURRENT VS SPEED CURVE



Performance : 575 V 60 Hz 4P

Rated current	: 5.19 A	Moment of inertia (J)	: 0.3080 sq.ft.lb
LRC	: 7.0	Duty cycle	: Cont.(S1)
Rated torque	: 15.0 ft.lb	Insulation class	: F
Locked rotor torque	: 220 %	Service factor	: 1.15
Breakdown torque	: 300 %	Temperature rise	: 80 K
Rated speed	: 1750 rpm	Design	: B

Locked rotor time : 28s (cold) 16s (hot)

Rev.	Changes Summary	Performed	Checked	Date
Performed by			Page 2 / 6	Revision
Checked by				
Date	12/04/2022			

LOAD PERFORMANCE CURVE

Three Phase Induction Motor - Squirrel Cage

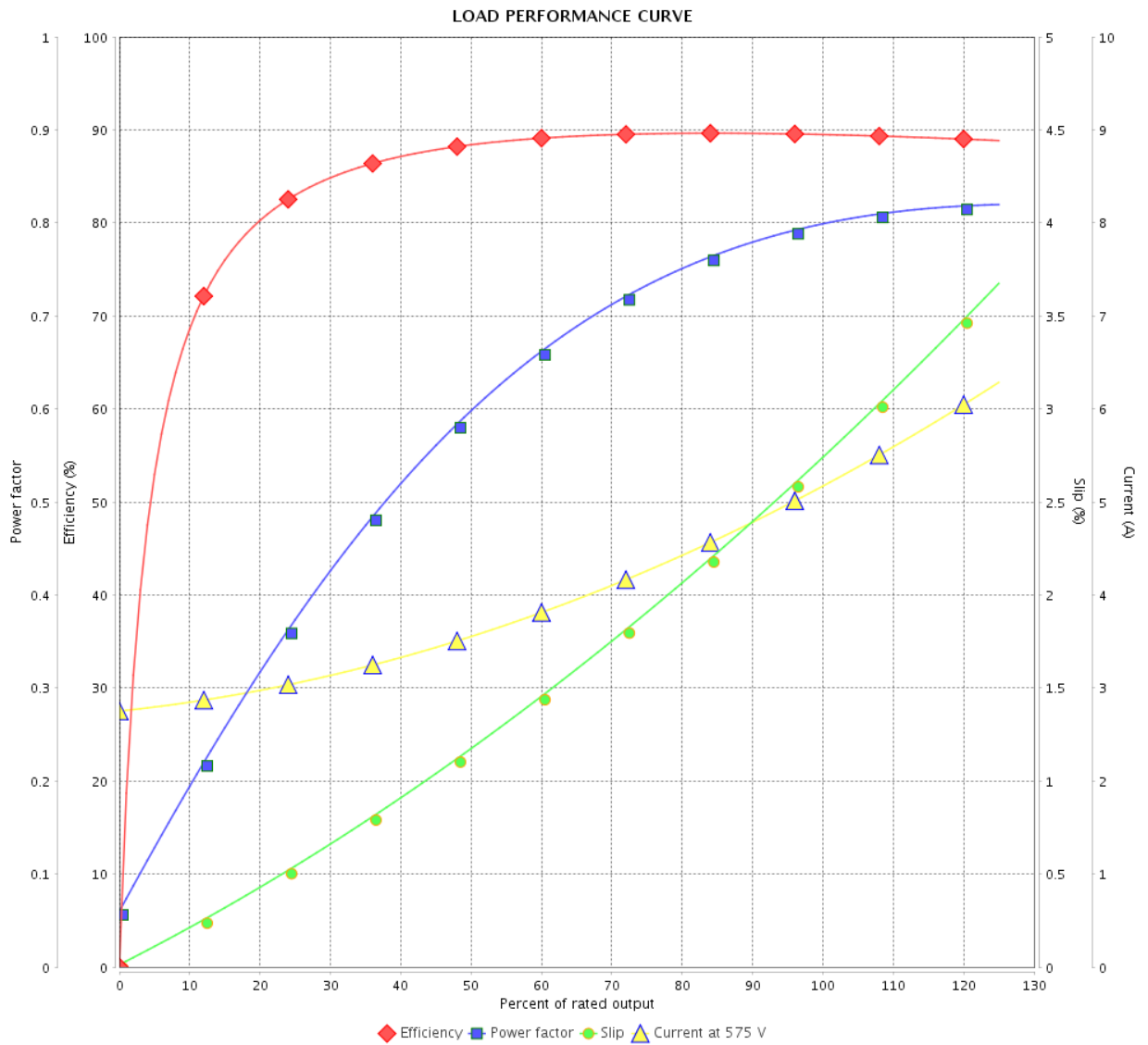


Customer :

Product line : NEMA Premium Efficiency Three-Phase

Product code : 12939083

Catalog # : 00518ET3H184T-SRT



Performance : 575 V 60 Hz 4P

Rated current : 5.19 A
 LRC : 7.0
 Rated torque : 15.0 ft.lb
 Locked rotor torque : 220 %
 Breakdown torque : 300 %
 Rated speed : 1750 rpm

Moment of inertia (J) : 0.3080 sq.ft.lb
 Duty cycle : Cont.(S1)
 Insulation class : F
 Service factor : 1.15
 Temperature rise : 80 K
 Design : B

Rev.	Changes Summary	Performed	Checked	Date
Performed by		Page		Revision
Checked by		3 / 6		
Date	12/04/2022			

THERMAL LIMIT CURVE



Three Phase Induction Motor - Squirrel Cage

Customer :

Product line : NEMA Premium Efficiency Three-Phase
Product code : 12939083
Catalog # : 00518ET3H184T-SRT

Performance : 575 V 60 Hz 4P

Rated current	: 5.19 A	Moment of inertia (J)	: 0.3080 sq.ft.lb
LRC	: 7.0	Duty cycle	: Cont.(S1)
Rated torque	: 15.0 ft.lb	Insulation class	: F
Locked rotor torque	: 220 %	Service factor	: 1.15
Breakdown torque	: 300 %	Temperature rise	: 80 K
Rated speed	: 1750 rpm	Design	: B

Heating constant

Cooling constant

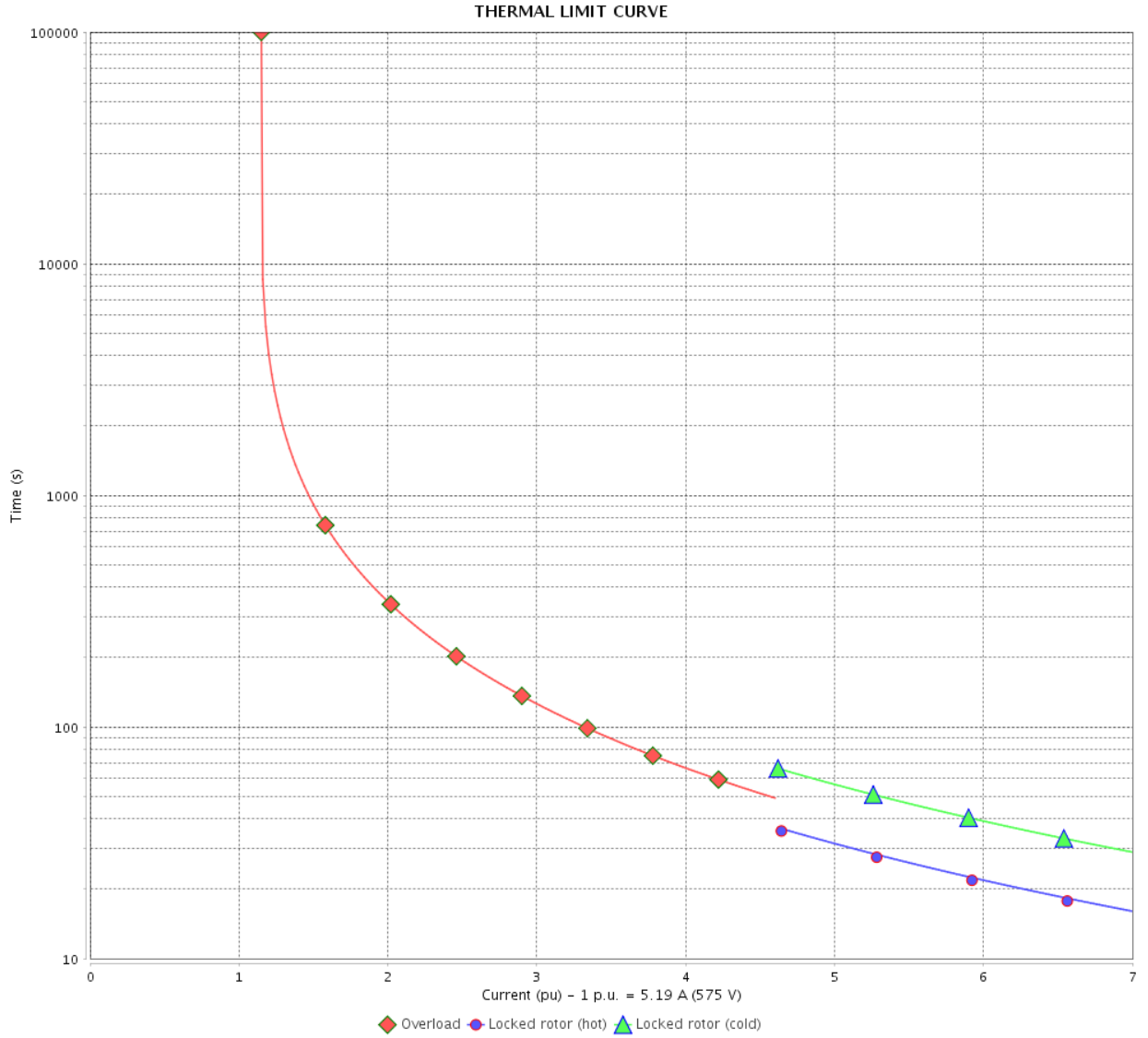
Rev.	Changes Summary	Performed	Checked	Date
Performed by				
Checked by			Page	Revision
Date	12/04/2022		4 / 6	

THERMAL LIMIT CURVE

Three Phase Induction Motor - Squirrel Cage



Customer : _____



Rev.	Changes Summary	Performed	Checked	Date
Performed by		Page 5 / 6		Revision
Checked by				
Date				

VFD OPERATION CURVE

Three Phase Induction Motor - Squirrel Cage

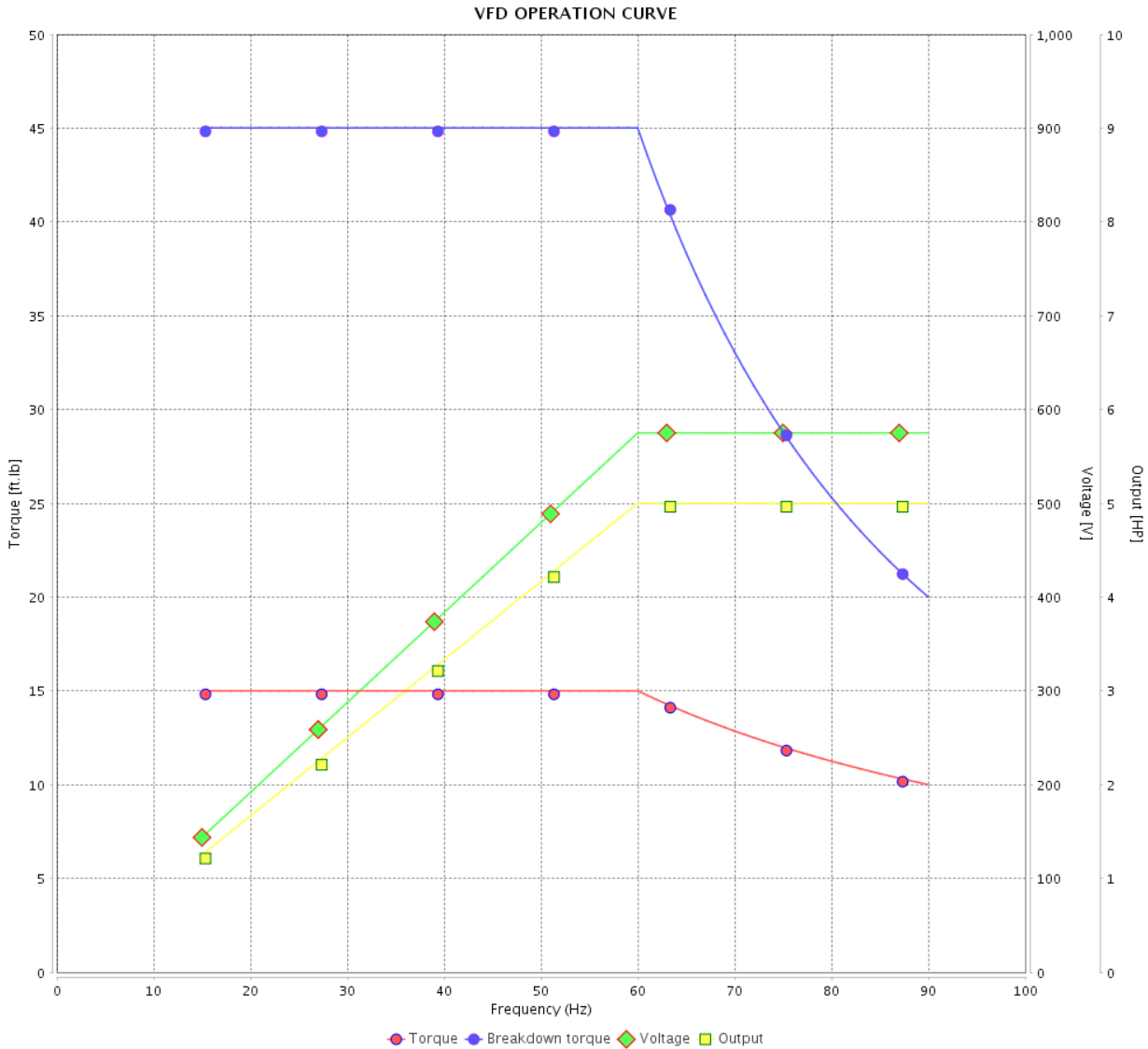


Customer : _____

Product line : NEMA Premium Efficiency Three-Phase

Product code : 12939083

Catalog # : 00518ET3H184T-SRT



Performance : 575 V 60 Hz 4P

Rated current : 5.19 A
 LRC : 7.0
 Rated torque : 15.0 ft.lb
 Locked rotor torque : 220 %
 Breakdown torque : 300 %
 Rated speed : 1750 rpm

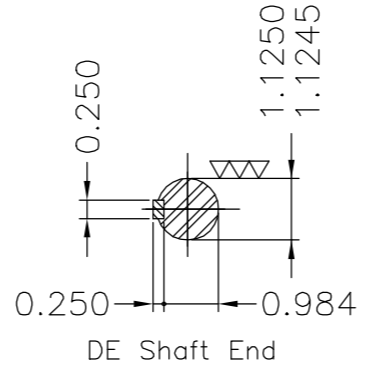
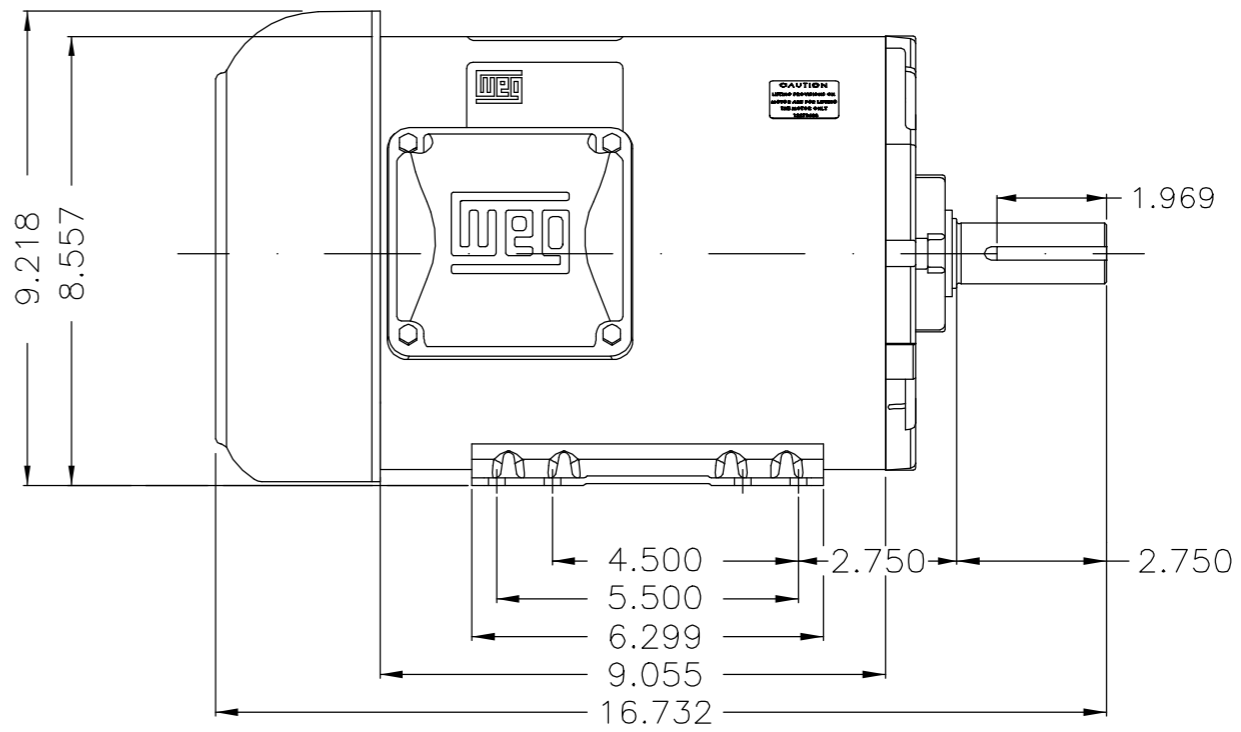
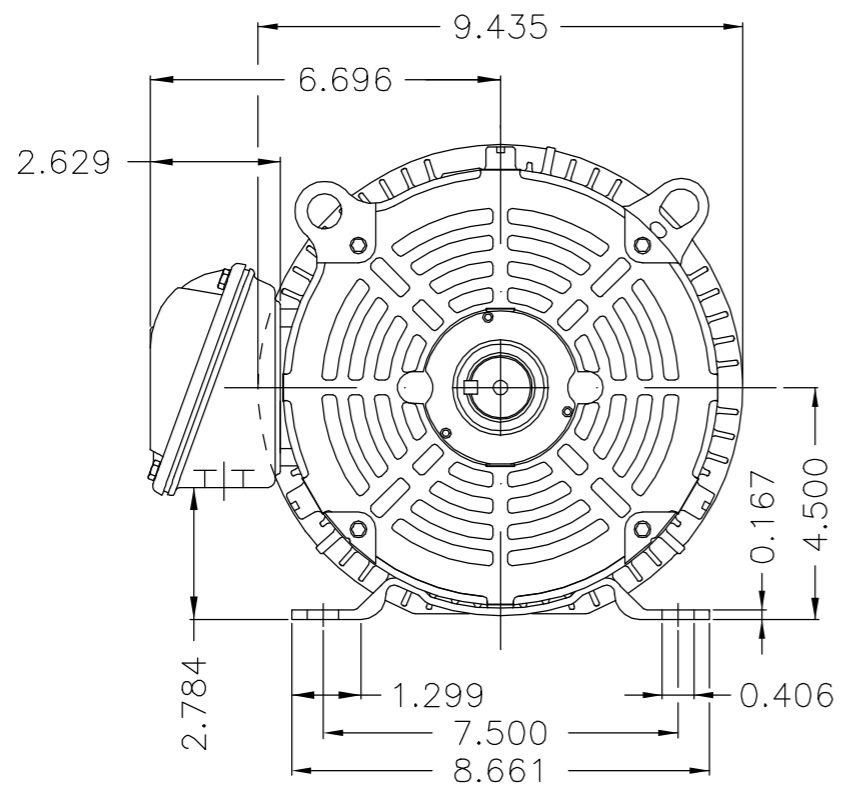
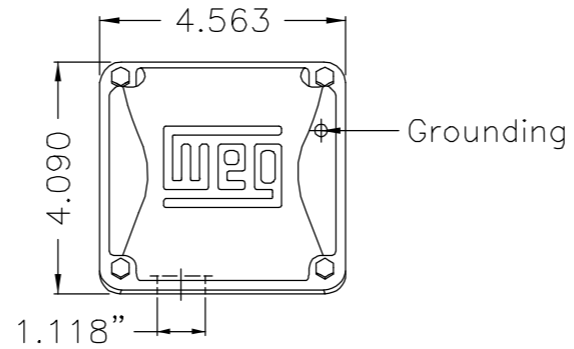
Moment of inertia (J) : 0.3080 sq.ft.lb
 Duty cycle : Cont.(S1)
 Insulation class : F
 Service factor : 1.15
 Temperature rise : 80 K
 Design : B

Rev.	Changes Summary	Performed	Checked	Date
Performed by			Page 6 / 6	Revision
Checked by				
Date	12/04/2022			

EIXO/SHAFT	
PADRÃO/STANDARD	X
OPCIONAL/OPTIONAL	
ESPECIAL/SPECIAL	

Dimensões em polegadas
Dimensions in inches

THIS IS AN UPDATED REVISION, THE PREVIOUS ONE MUST BE DISREGARDED.



A
B
C
D
E

UNCONTROLLED COPY
RELEASED
ZME A3

Plano de pintura 207N / Painting plan 207N						
Forma construtiva B3D / Mounting F-1/B3R(D)						
WEG ELECTRIC CORP.						
500001146687		ATUALIZADO PLANO DE PINTURA	MENSOR		ODORIZZI	15.03.2016 01
500000938011		DOCUMENTO NOVO	PATRICKL		JTOGNERI	12.09.2014 00
ECM	LOC	SUMMARY OF MODIFICATIONS	EXECUTED	CHECKED	RELEASED	DATE VER
EXECUTED	PATRICKL	THREE P. MOTOR TEFC ROLLED STEEL NEMA P. FRAME 182/4T IP55	10003090668			
CHECKED			000	01		
RELEASED	JTOGNERI		SHEET 1 / 1			
REL DT	12.09.2014	WMO	JARAGUA DO SUL	ENGENHARIA DE PRODUTO		

5 HP 04 Poles 60Hz 413568203



NEMA
Premium



MADE IN MEXICO

MAT: 12939083 CC029A

W01.TE0IC0X0N

MODEL 00518ET3H184T-SRT

06ABR2021 S/N:

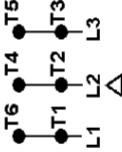
**For 60Hz: Class I, Zone 2, IIC
Class I, Div.2, Gr. A,B,C,D - T3
DIV 2 Inverter Duty (SF1.00)**

CT 2:1/VT 1000:1

PH 3	Hz 60	HP 5.0
FR 182/4T		KW 3.7
DUTY CONT.		V 575
ALT 1000 m.a.s.l.		A 5.19
INS CL F AT 80K	IP55	SFA 5.97
AMB 40°C	DES B	SF 1.15
ENCL TEFC	CODE J	PF 0.80
		RPM 1750
		NEMA NOM. EFF 89.5%

For safe area-inverter duty motor For use on VPWM 1000:1 VT, 4:1 CT

DE 6206-ZZ ODE 6205-ZZ MOBIL POLYREX EM



T1-BLU
T2-WHT
T3-ORG
T4-YEL
T5-BLK
T6-GRY



INTERCHANGE ANY TWO LINE WIRES TO REVERSE THE ROTATION

WARNING: Motor must be grounded in accordance with local and national electrical codes to prevent serious electrical shocks. Disconnect power source before servicing unit.



AVERTISSEMENT: Le moteur doit être mis à la terre

conformément aux codes électriques locaux et nationaux afin d'éviter tout choc électrique grave. Déconnectez l'alimentation avant l'entretien de la machine.

