

# DATA SHEET

## Three Phase Induction Motor - Squirrel Cage



Customer :				
Product line	: JP Pump NEMA Premium Efficiency Three-Phase	Product code :	14277192	
		Catalog # :	00518OT3E184JP-SG	
Frame	: 182/4JP	Cooling method	: IC01 - ODP	
Insulation class	: F	Mounting	: F-1	
Duty cycle	: Cont.(S1)	Rotation <sup>1</sup>	: Both (CW and CCW)	
Ambient temperature	: -20°C to +40°C	Starting method	: Direct On Line	
Altitude	: 1000 m.a.s.l.	Approx. weight <sup>2</sup>	: 89.8 lb	
Design	: B	Moment of inertia (J)	: 0.4003 sq.ft.lb	
Output [HP]	5	5	5	
Poles	4	4	4	
Frequency [Hz]	60	50	50	
Rated voltage [V]	230/460	190/380	220/415	
Rated current [A]	12.7/6.33	15.4/7.71	13.8/7.32	
L. R. Amperes [A]	91.2/45.6	89.4/44.7	89.8/47.6	
LRC [A]	7.2x(Code J)	5.8x(Code G)	6.5x(Code H)	
No load current [A]	6.29/3.15	6.19/3.10	6.38/3.38	
Rated speed [RPM]	1760	1445	1450	
Slip [%]	2.22	3.67	3.33	
Rated torque [ft.lb]	14.9	18.2	18.1	
Locked rotor torque [%]	200	140	160	
Breakdown torque [%]	310	220	250	
Service factor	1.15	1.15	1.15	
Temperature rise	80 K	80 K	80 K	
Locked rotor time	21s (cold) 12s (hot)	0s (cold) 0s (hot)	0s (cold) 0s (hot)	
Noise level <sup>2</sup>	55.0 dB(A)	53.0 dB(A)	53.0 dB(A)	
Efficiency (%)	25%	87.5	89.3	
	50%	88.5	87.9	
	75%	88.5	87.6	
	100%	89.5	85.8	
Power Factor	25%	0.38	0.40	
	50%	0.63	0.67	
	75%	0.76	0.79	
	100%	0.82	0.85	
Bearing type	: <u>Drive end</u> 6207 ZZ <u>Non drive end</u> 6205 ZZ	Foundation loads		
Sealing	: Without Without Bearing Seal Bearing Seal	Max. traction	: 244 lb	
		Max. compression	: 334 lb	
Lubrication interval	: - -			
Lubricant amount	: - -			
Lubricant type	: Mobil Polyrex EM			
Notes USABLE @208V 14.0A SF 1.00 SFA 14.0A				
This revision replaces and cancel the previous one, which must be eliminated. (1) Looking the motor from the shaft end. (2) Measured at 1m and with tolerance of +3dB(A). (3) Approximate weight subject to changes after manufacturing process. (4) At 100% of full load.		These are average values based on tests with sinusoidal power supply, subject to the tolerances stipulated in NEMA MG-1.		
Rev.	Changes Summary	Performed	Checked	Date
Performed by				
Checked by			Page	Revision
Date	12/04/2022		1 / 16	

# TORQUE AND CURRENT VS SPEED CURVE

## Three Phase Induction Motor - Squirrel Cage



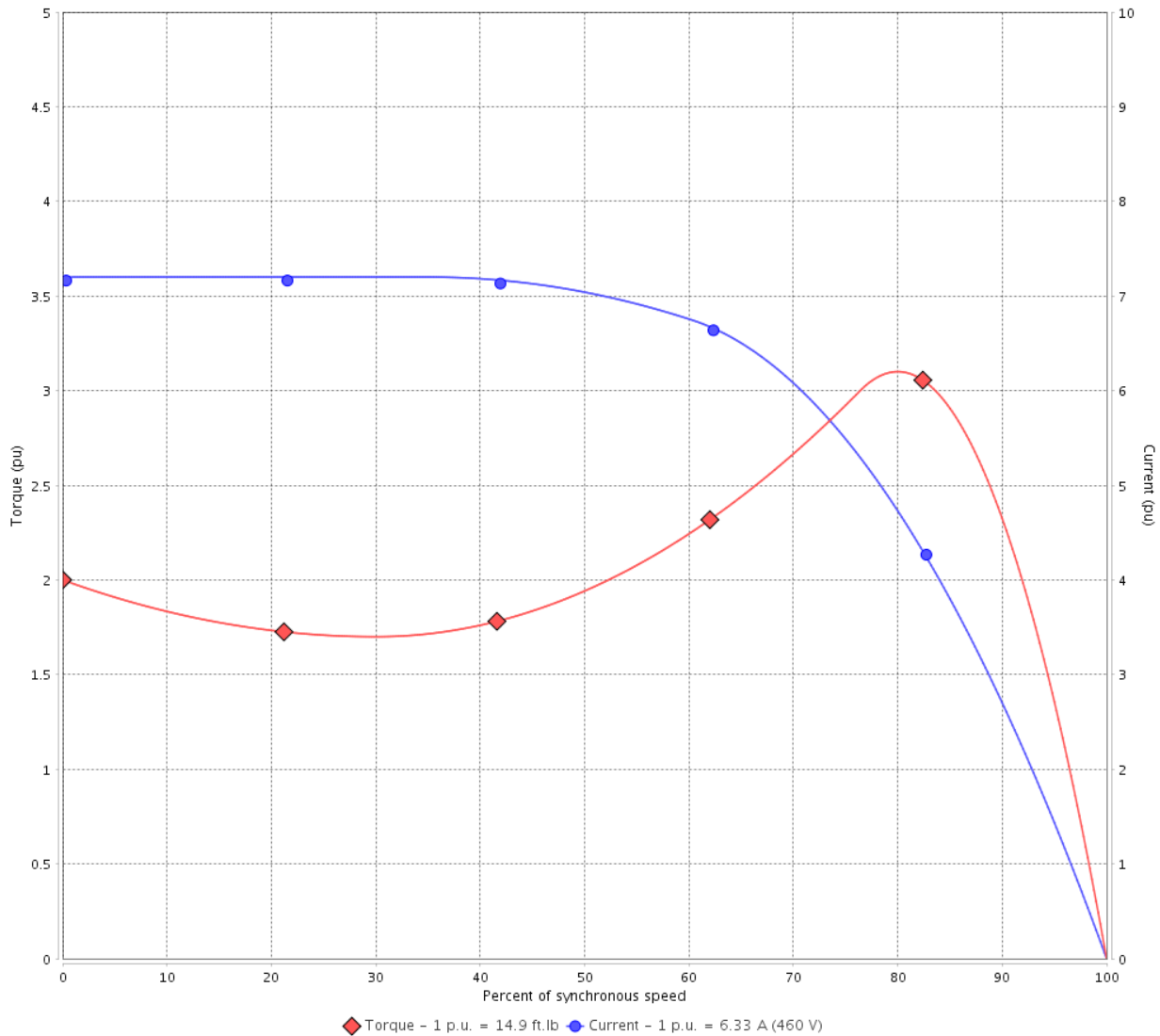
Customer :

Product line : JP Pump NEMA Premium  
Efficiency Three-Phase

Product code : 14277192

Catalog # : 00518OT3E184JP-SG

TORQUE AND CURRENT VS SPEED CURVE



Performance : 230/460 V 60 Hz 4P

Rated current : 12.7/6.33 A  
LRC : 7.2  
Rated torque : 14.9 ft.lb  
Locked rotor torque : 200 %  
Breakdown torque : 310 %  
Rated speed : 1760 rpm

Moment of inertia (J) : 0.4003 sq.ft.lb  
Duty cycle : Cont.(S1)  
Insulation class : F  
Service factor : 1.15  
Temperature rise : 80 K  
Design : B

Locked rotor time : 21s (cold) 12s (hot)

Rev.	Changes Summary	Performed	Checked	Date
Performed by			Page 2 / 16	Revision
Checked by				
Date	12/04/2022			

# TORQUE AND CURRENT VS SPEED CURVE



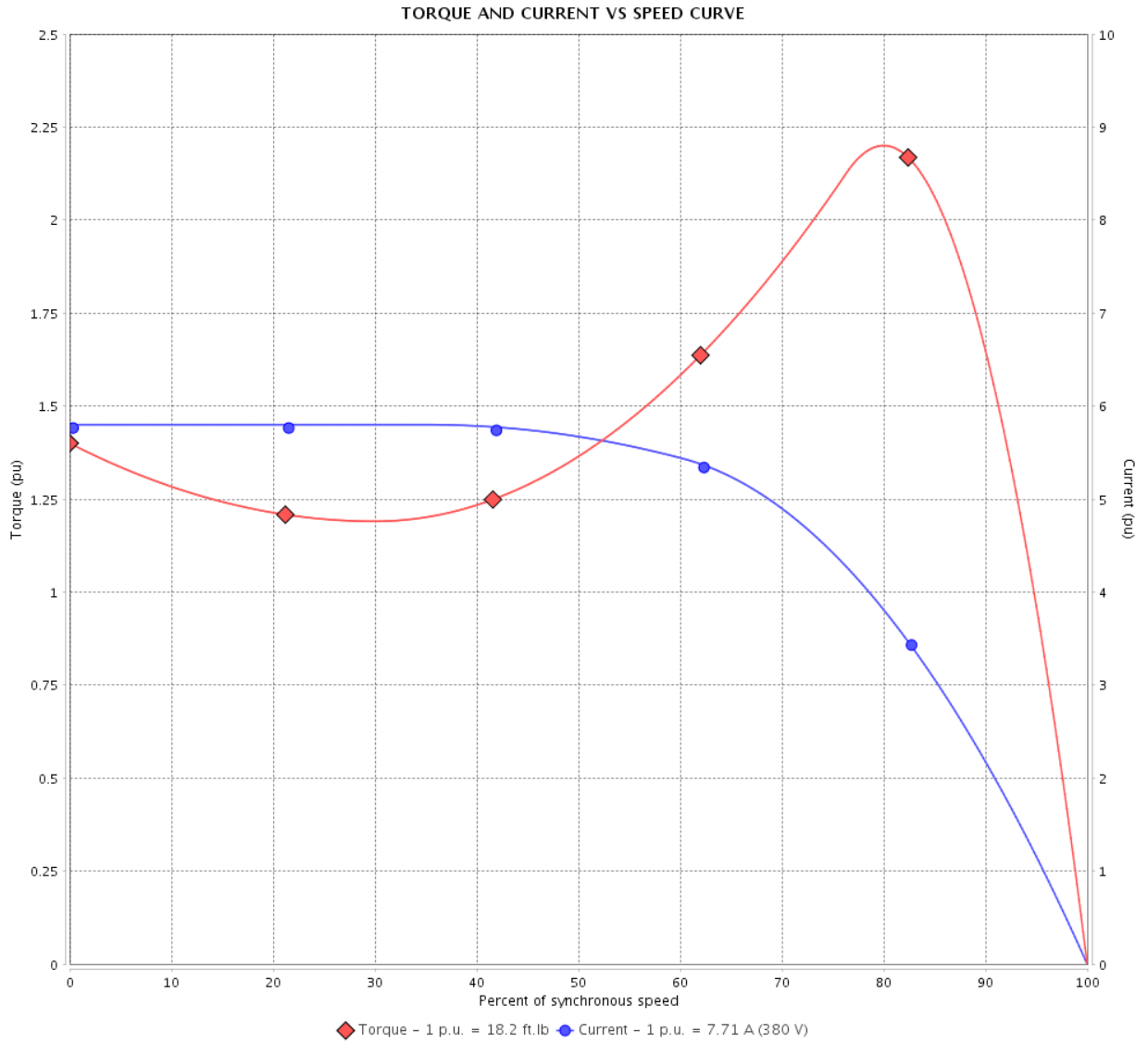
## Three Phase Induction Motor - Squirrel Cage

Customer :

Product line : JP Pump NEMA Premium Efficiency Three-Phase

Product code : 14277192

Catalog # : 005180T3E184JP-SG



Performance : 190/380 V 50 Hz 4P

Rated current : 15.4/7.71 A  
 LRC : 5.8  
 Rated torque : 18.2 ft.lb  
 Locked rotor torque : 140 %  
 Breakdown torque : 220 %  
 Rated speed : 1445 rpm

Moment of inertia (J) : 0.4003 sq.ft.lb  
 Duty cycle : Cont.(S1)  
 Insulation class : F  
 Service factor : 1.15  
 Temperature rise : 80 K  
 Design : B

Locked rotor time : 0s (cold) 0s (hot)

Rev.	Changes Summary	Performed	Checked	Date
Performed by			Page 3 / 16	Revision
Checked by				
Date	12/04/2022			

# TORQUE AND CURRENT VS SPEED CURVE

## Three Phase Induction Motor - Squirrel Cage



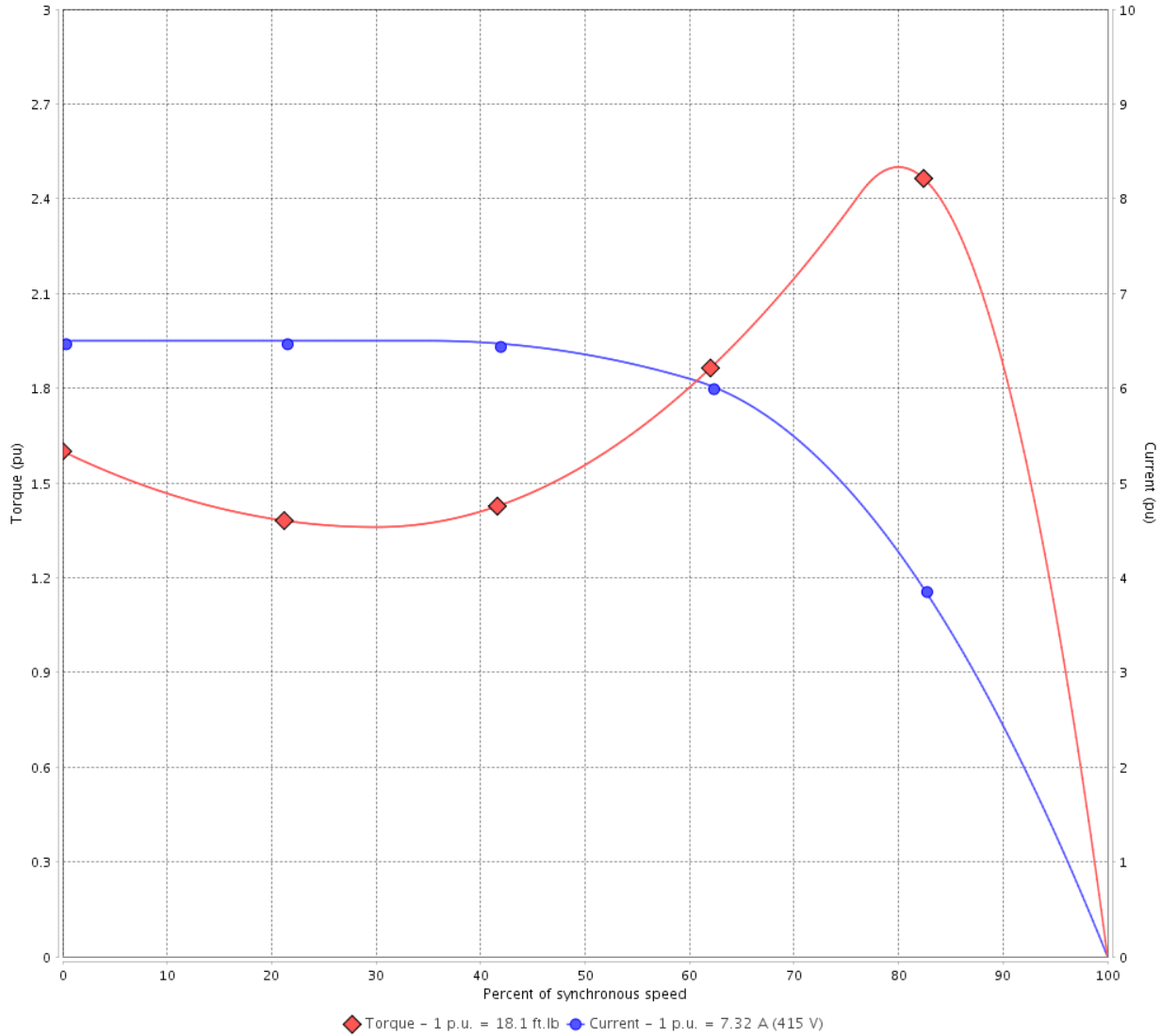
Customer :

Product line : JP Pump NEMA Premium  
Efficiency Three-Phase

Product code : 14277192

Catalog # : 00518OT3E184JP-SG

TORQUE AND CURRENT VS SPEED CURVE



Performance : 220/415 V 50 Hz 4P

Rated current	: 13.8/7.32 A	Moment of inertia (J)	: 0.4003 sq.ft.lb
LRC	: 6.5	Duty cycle	: Cont.(S1)
Rated torque	: 18.1 ft.lb	Insulation class	: F
Locked rotor torque	: 160 %	Service factor	: 1.15
Breakdown torque	: 250 %	Temperature rise	: 80 K
Rated speed	: 1450 rpm	Design	: B

Locked rotor time : 0s (cold) 0s (hot)

Rev.	Changes Summary	Performed	Checked	Date
Performed by			Page 4 / 16	Revision
Checked by				
Date	12/04/2022			

# LOAD PERFORMANCE CURVE

## Three Phase Induction Motor - Squirrel Cage

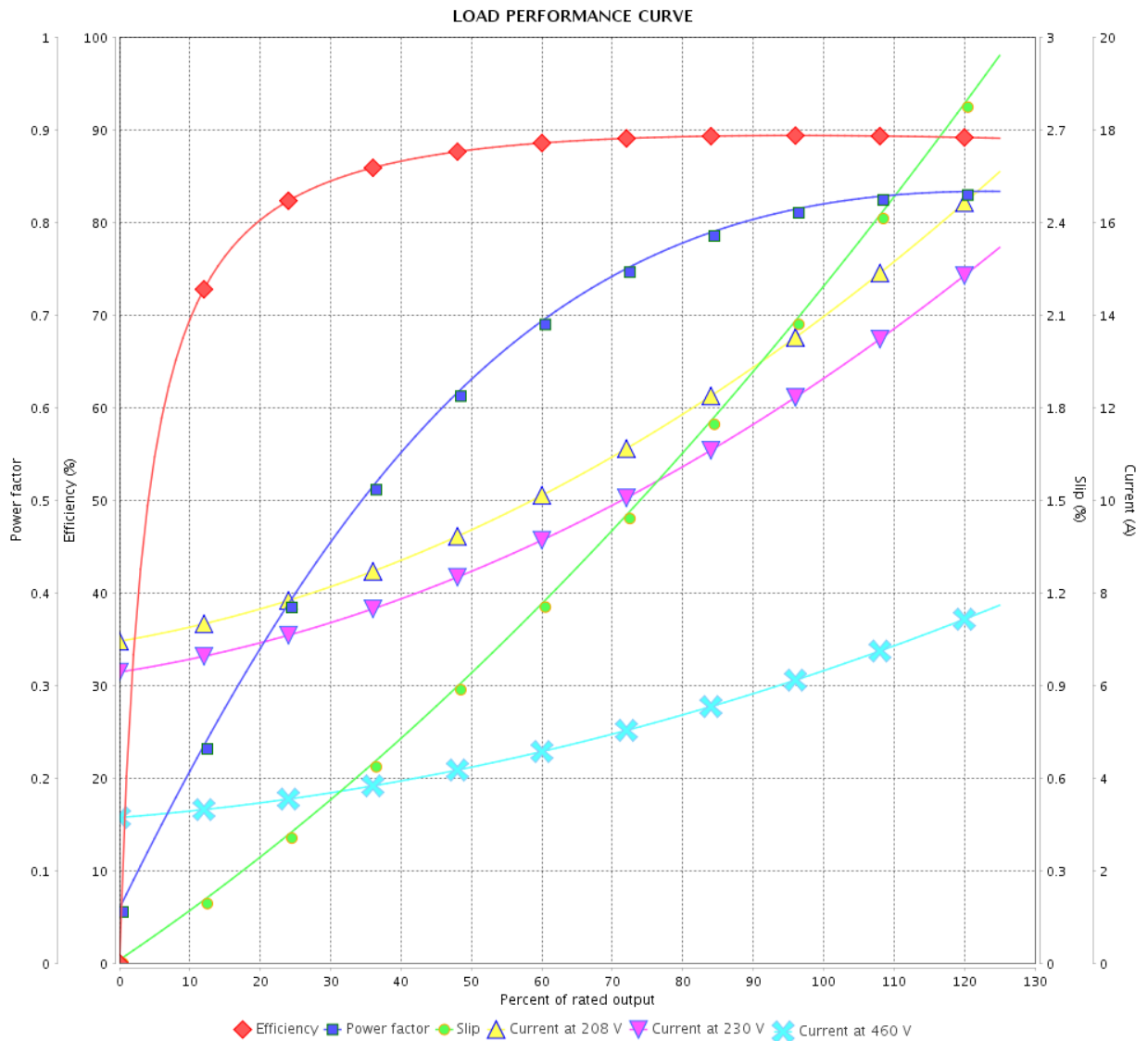


Customer : \_\_\_\_\_

Product line : JP Pump NEMA Premium  
Efficiency Three-Phase

Product code : 14277192

Catalog # : 00518OT3E184JP-SG



Performance : 230/460 V 60 Hz 4P

Rated current : 12.7/6.33 A  
 LRC : 7.2  
 Rated torque : 14.9 ft.lb  
 Locked rotor torque : 200 %  
 Breakdown torque : 310 %  
 Rated speed : 1760 rpm

Moment of inertia (J) : 0.4003 sq.ft.lb  
 Duty cycle : Cont.(S1)  
 Insulation class : F  
 Service factor : 1.15  
 Temperature rise : 80 K  
 Design : B

Rev.	Changes Summary	Performed	Checked	Date
Performed by			Page 5 / 16	Revision
Checked by				
Date	12/04/2022			

# LOAD PERFORMANCE CURVE

Three Phase Induction Motor - Squirrel Cage



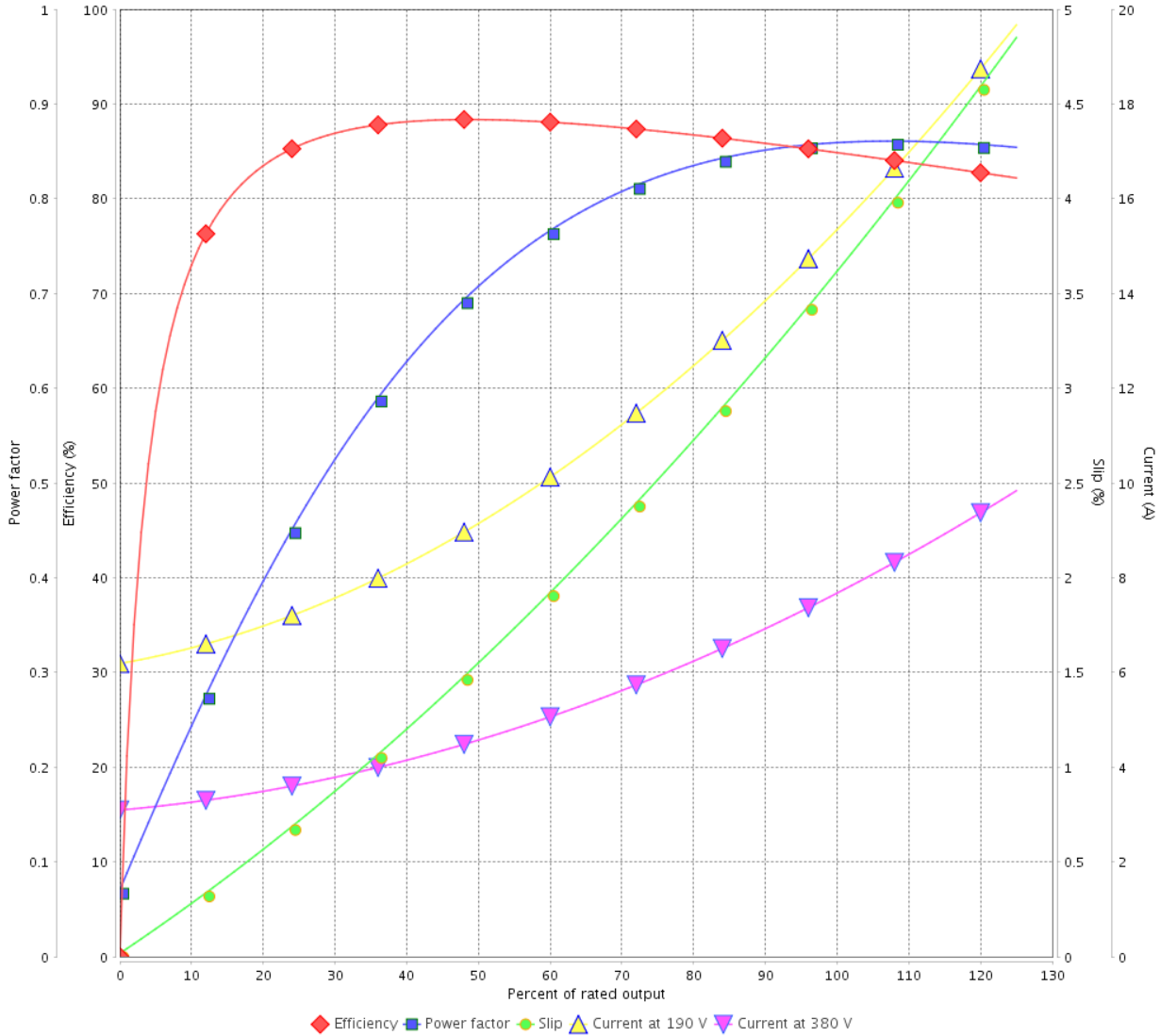
Customer :

Product line : JP Pump NEMA Premium Efficiency Three-Phase

Product code : 14277192

Catalog # : 005180T3E184JP-SG

LOAD PERFORMANCE CURVE



Performance : 190/380 V 50 Hz 4P

Rated current : 15.4/7.71 A  
 LRC : 5.8  
 Rated torque : 18.2 ft.lb  
 Locked rotor torque : 140 %  
 Breakdown torque : 220 %  
 Rated speed : 1445 rpm

Moment of inertia (J) : 0.4003 sq.ft.lb  
 Duty cycle : Cont.(S1)  
 Insulation class : F  
 Service factor : 1.15  
 Temperature rise : 80 K  
 Design : B

Rev.	Changes Summary	Performed	Checked	Date
Performed by			Page	Revision
Checked by			6 / 16	
Date	12/04/2022			

# LOAD PERFORMANCE CURVE

## Three Phase Induction Motor - Squirrel Cage

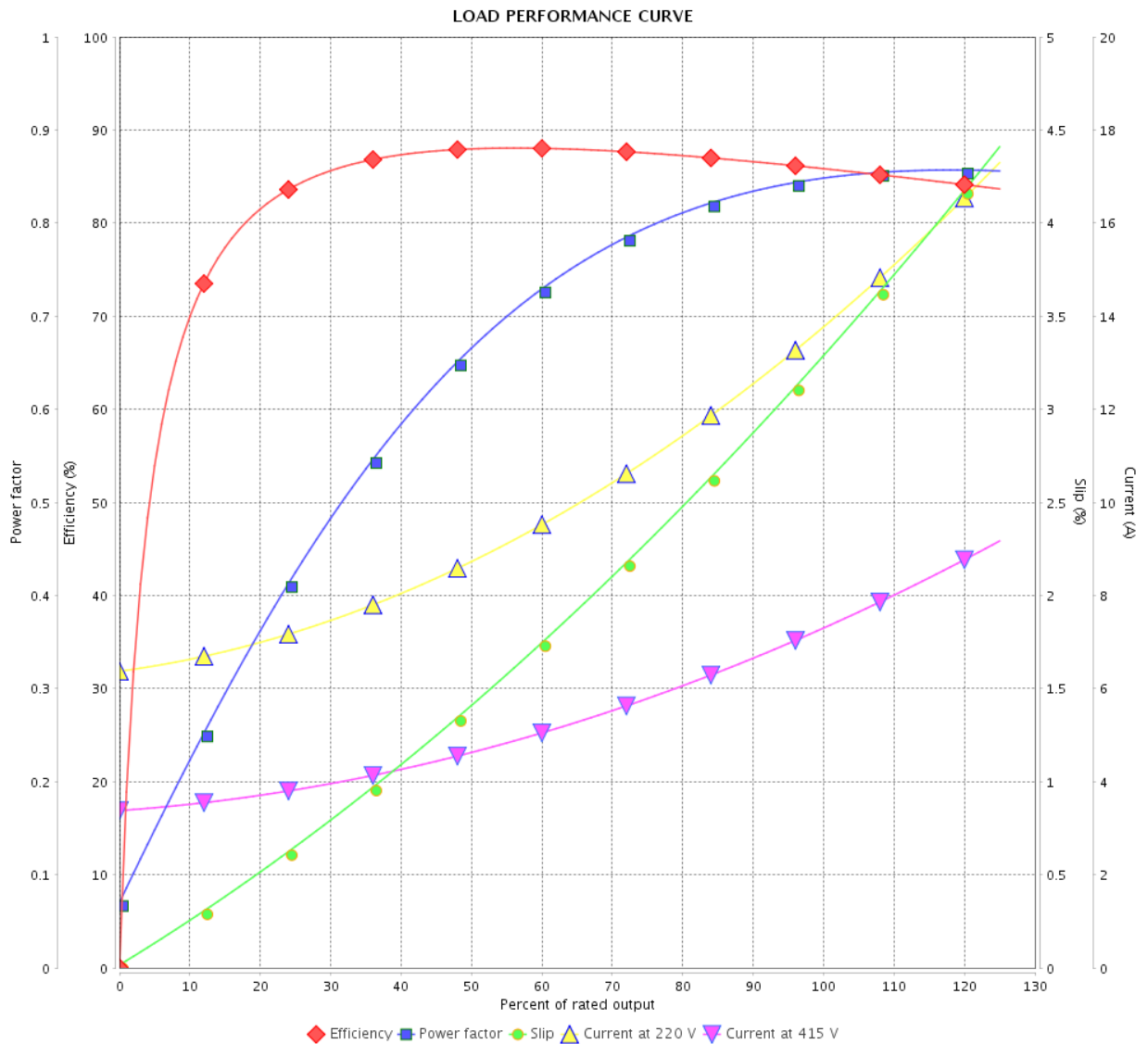


Customer :

Product line : JP Pump NEMA Premium  
Efficiency Three-Phase

Product code : 14277192

Catalog # : 00518OT3E184JP-SG



Performance : 220/415 V 50 Hz 4P

Rated current : 13.8/7.32 A  
LRC : 6.5  
Rated torque : 18.1 ft.lb  
Locked rotor torque : 160 %  
Breakdown torque : 250 %  
Rated speed : 1450 rpm

Moment of inertia (J) : 0.4003 sq.ft.lb  
Duty cycle : Cont.(S1)  
Insulation class : F  
Service factor : 1.15  
Temperature rise : 80 K  
Design : B

Rev.	Changes Summary	Performed	Checked	Date
Performed by			Page	Revision
Checked by				
Date				

# THERMAL LIMIT CURVE



## Three Phase Induction Motor - Squirrel Cage

Customer :

Product line : JP Pump NEMA Premium  
Efficiency Three-Phase

Product code : 14277192

Catalog # : 00518OT3E184JP-SG

Performance : 230/460 V 60 Hz 4P

Rated current : 12.7/6.33 A  
LRC : 7.2  
Rated torque : 14.9 ft.lb  
Locked rotor torque : 200 %  
Breakdown torque : 310 %  
Rated speed : 1760 rpm

Moment of inertia (J) : 0.4003 sq.ft.lb  
Duty cycle : Cont.(S1)  
Insulation class : F  
Service factor : 1.15  
Temperature rise : 80 K  
Design : B

Heating constant

Cooling constant

Rev.	Changes Summary	Performed	Checked	Date
Performed by		Page		Revision
Checked by		8 / 16		
Date	12/04/2022			

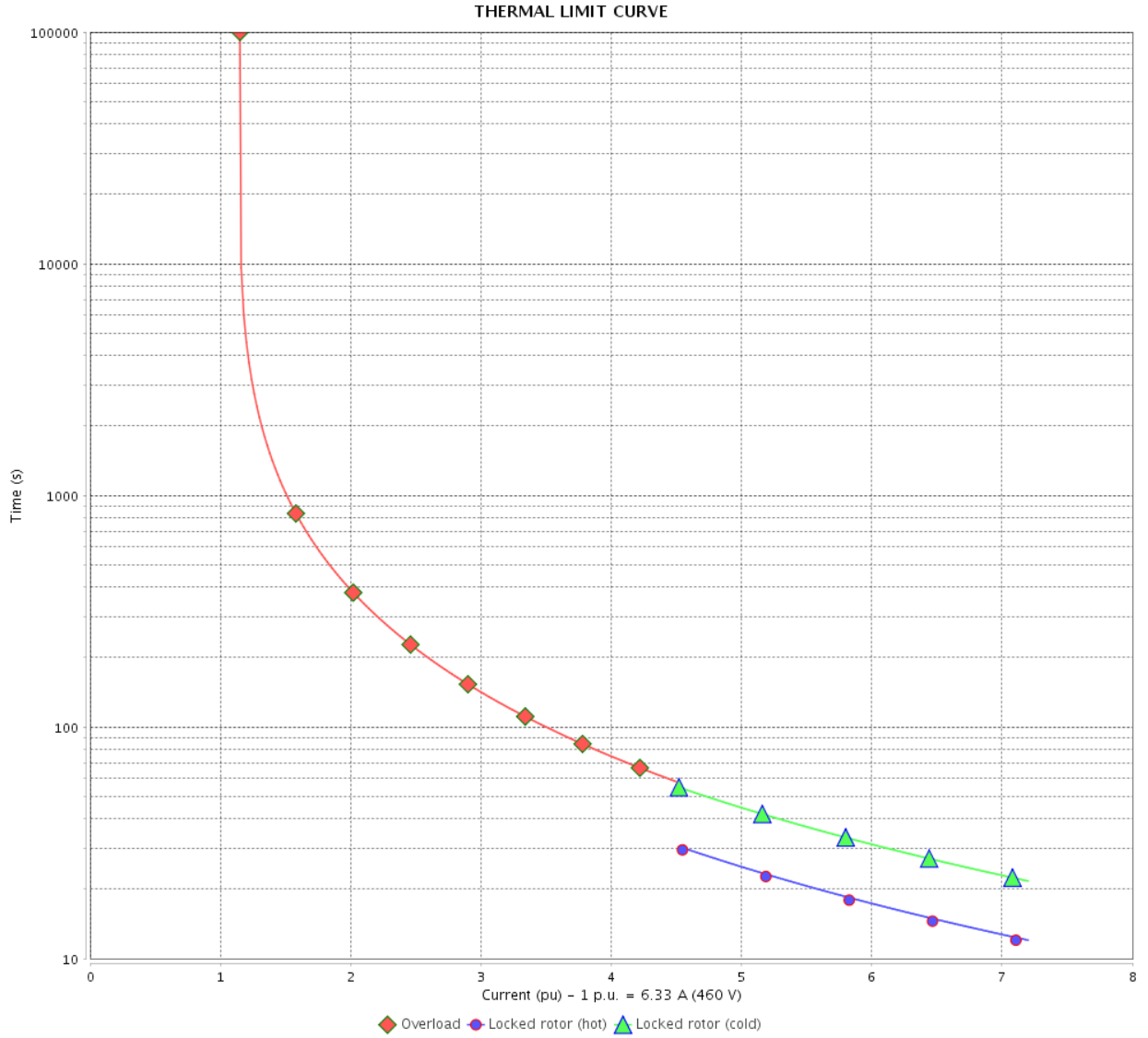


# THERMAL LIMIT CURVE

Three Phase Induction Motor - Squirrel Cage



Customer : \_\_\_\_\_



Rev.	Changes Summary	Performed	Checked	Date
Performed by		Page		Revision
Checked by		9 / 16		
Date		12/04/2022		

# THERMAL LIMIT CURVE



## Three Phase Induction Motor - Squirrel Cage

Customer :

Product line : JP Pump NEMA Premium  
Efficiency Three-Phase

Product code : 14277192

Catalog # : 00518OT3E184JP-SG

Performance : 190/380 V 50 Hz 4P

Rated current : 15.4/7.71 A  
LRC : 5.8  
Rated torque : 18.2 ft.lb  
Locked rotor torque : 140 %  
Breakdown torque : 220 %  
Rated speed : 1445 rpm

Moment of inertia (J) : 0.4003 sq.ft.lb  
Duty cycle : Cont.(S1)  
Insulation class : F  
Service factor : 1.15  
Temperature rise : 80 K  
Design : B

Heating constant

Cooling constant

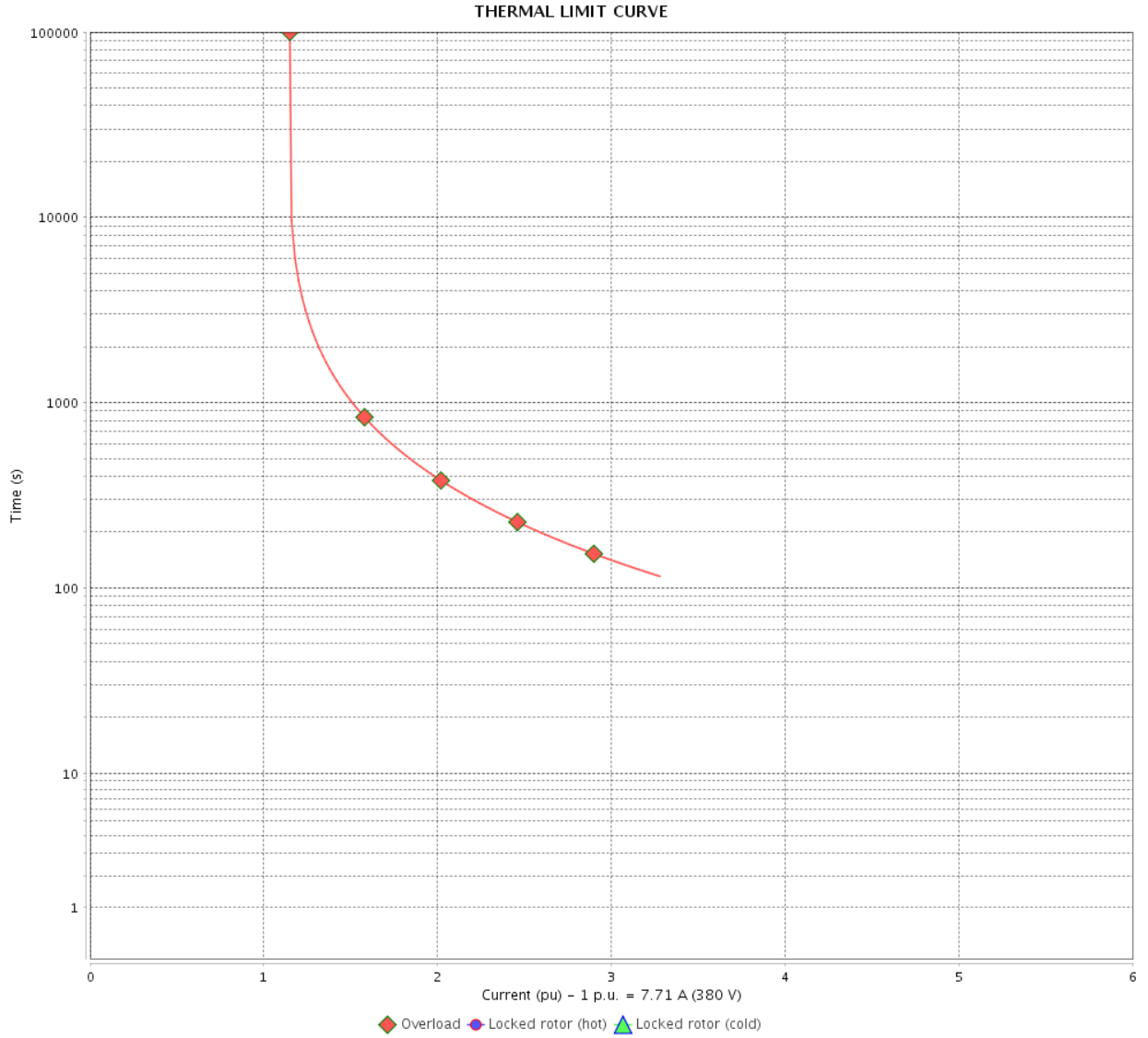
Rev.	Changes Summary	Performed	Checked	Date
Performed by				
Checked by			Page	Revision
Date	12/04/2022		10 / 16	

# THERMAL LIMIT CURVE

Three Phase Induction Motor - Squirrel Cage



Customer : \_\_\_\_\_



Rev.	Changes Summary	Performed	Checked	Date
Performed by		Page      Revision 11 / 16		
Checked by				
Date				

# THERMAL LIMIT CURVE



## Three Phase Induction Motor - Squirrel Cage

Customer :

Product line : JP Pump NEMA Premium  
Efficiency Three-Phase

Product code : 14277192

Catalog # : 00518OT3E184JP-SG

Performance : 220/415 V 50 Hz 4P

Rated current : 13.8/7.32 A  
LRC : 6.5  
Rated torque : 18.1 ft.lb  
Locked rotor torque : 160 %  
Breakdown torque : 250 %  
Rated speed : 1450 rpm

Moment of inertia (J) : 0.4003 sq.ft.lb  
Duty cycle : Cont.(S1)  
Insulation class : F  
Service factor : 1.15  
Temperature rise : 80 K  
Design : B

Heating constant

Cooling constant

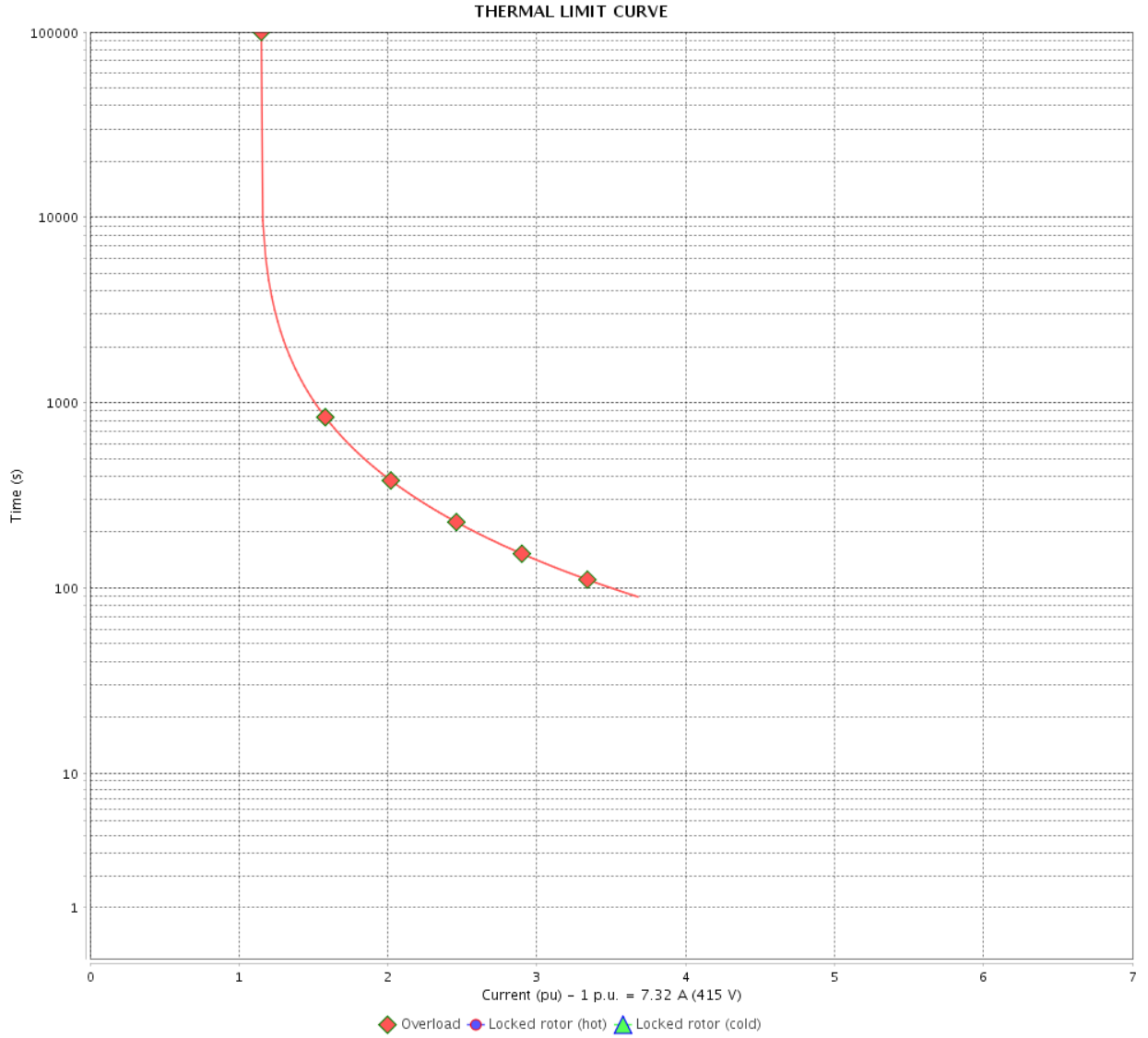
Rev.	Changes Summary	Performed	Checked	Date
Performed by				
Checked by			Page	Revision
Date	12/04/2022		12 / 16	

# THERMAL LIMIT CURVE

Three Phase Induction Motor - Squirrel Cage



Customer : \_\_\_\_\_



Rev.	Changes Summary	Performed	Checked	Date
Performed by		Page		Revision
Checked by		13 / 16		
Date		12/04/2022		

# VFD OPERATION CURVE

Three Phase Induction Motor - Squirrel Cage



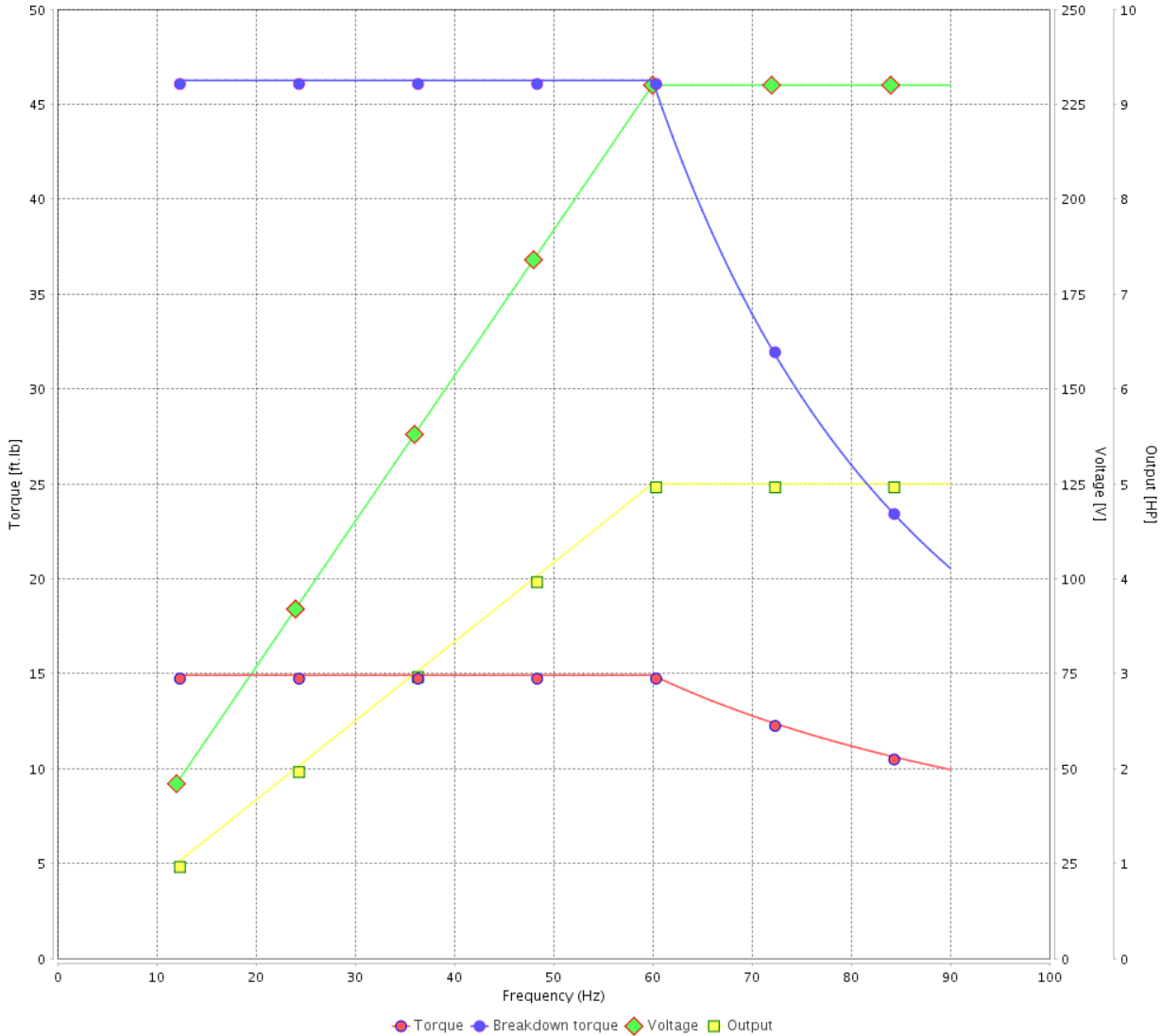
Customer :

Product line : JP Pump NEMA Premium Efficiency Three-Phase

Product code : 14277192

Catalog # : 00518OT3E184JP-SG

VFD OPERATION CURVE



Performance : 230/460 V 60 Hz 4P

Rated current : 12.7/6.33 A  
 LRC : 7.2  
 Rated torque : 14.9 ft.lb  
 Locked rotor torque : 200 %  
 Breakdown torque : 310 %  
 Rated speed : 1760 rpm

Moment of inertia (J) : 0.4003 sq.ft.lb  
 Duty cycle : Cont.(S1)  
 Insulation class : F  
 Service factor : 1.15  
 Temperature rise : 80 K  
 Design : B

Rev.	Changes Summary	Performed	Checked	Date
Performed by			Page	Revision
Checked by				
Date				

# VFD OPERATION CURVE

## Three Phase Induction Motor - Squirrel Cage

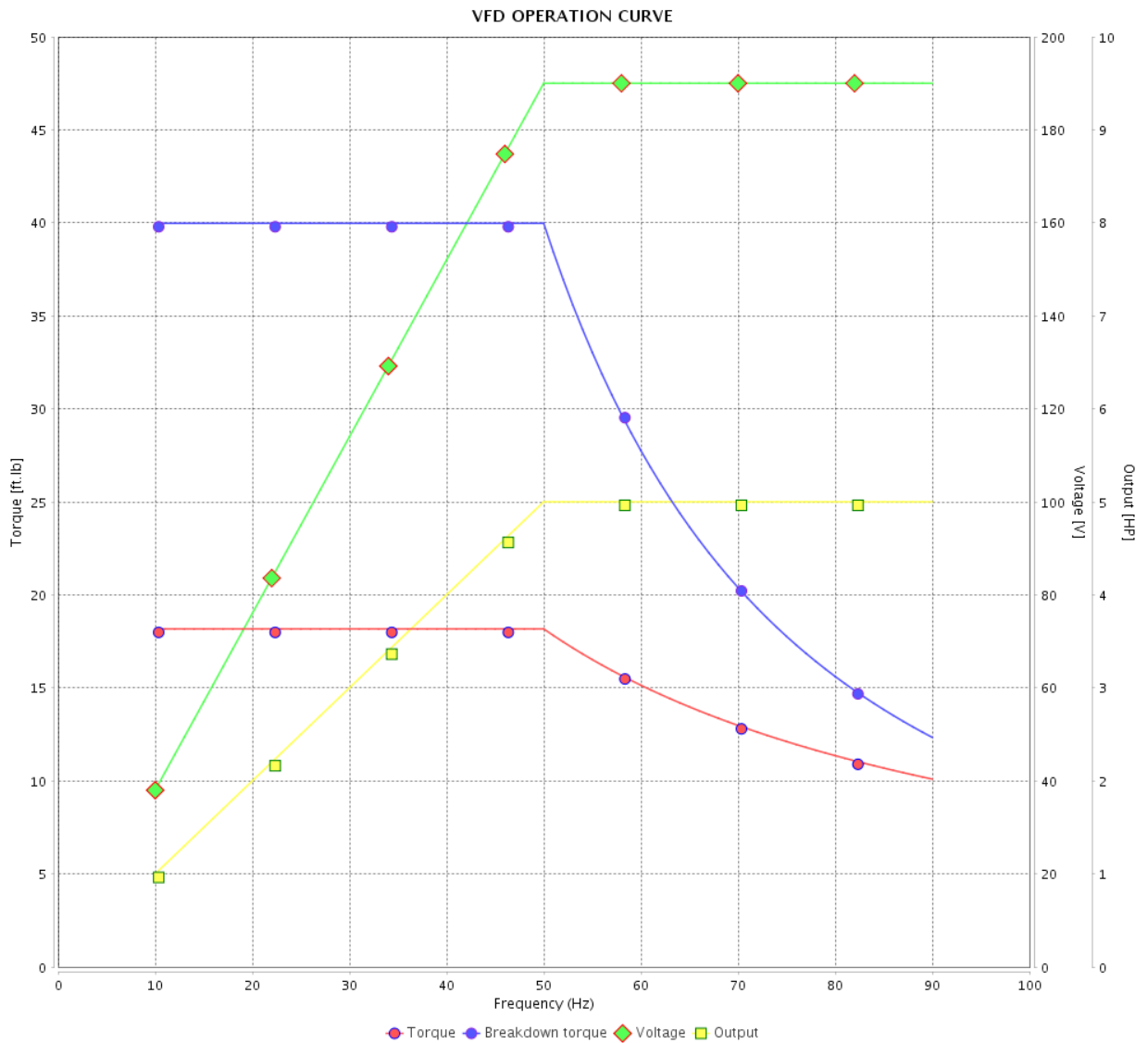


Customer :

Product line : JP Pump NEMA Premium Efficiency Three-Phase

Product code : 14277192

Catalog # : 00518OT3E184JP-SG



Performance : 190/380 V 50 Hz 4P

Rated current : 15.4/7.71 A  
 LRC : 5.8  
 Rated torque : 18.2 ft.lb  
 Locked rotor torque : 140 %  
 Breakdown torque : 220 %  
 Rated speed : 1445 rpm

Moment of inertia (J) : 0.4003 sq.ft.lb  
 Duty cycle : Cont.(S1)  
 Insulation class : F  
 Service factor : 1.15  
 Temperature rise : 80 K  
 Design : B

Rev.	Changes Summary	Performed	Checked	Date
Performed by			Page 15 / 16	Revision
Checked by				
Date	12/04/2022			

# VFD OPERATION CURVE

Three Phase Induction Motor - Squirrel Cage



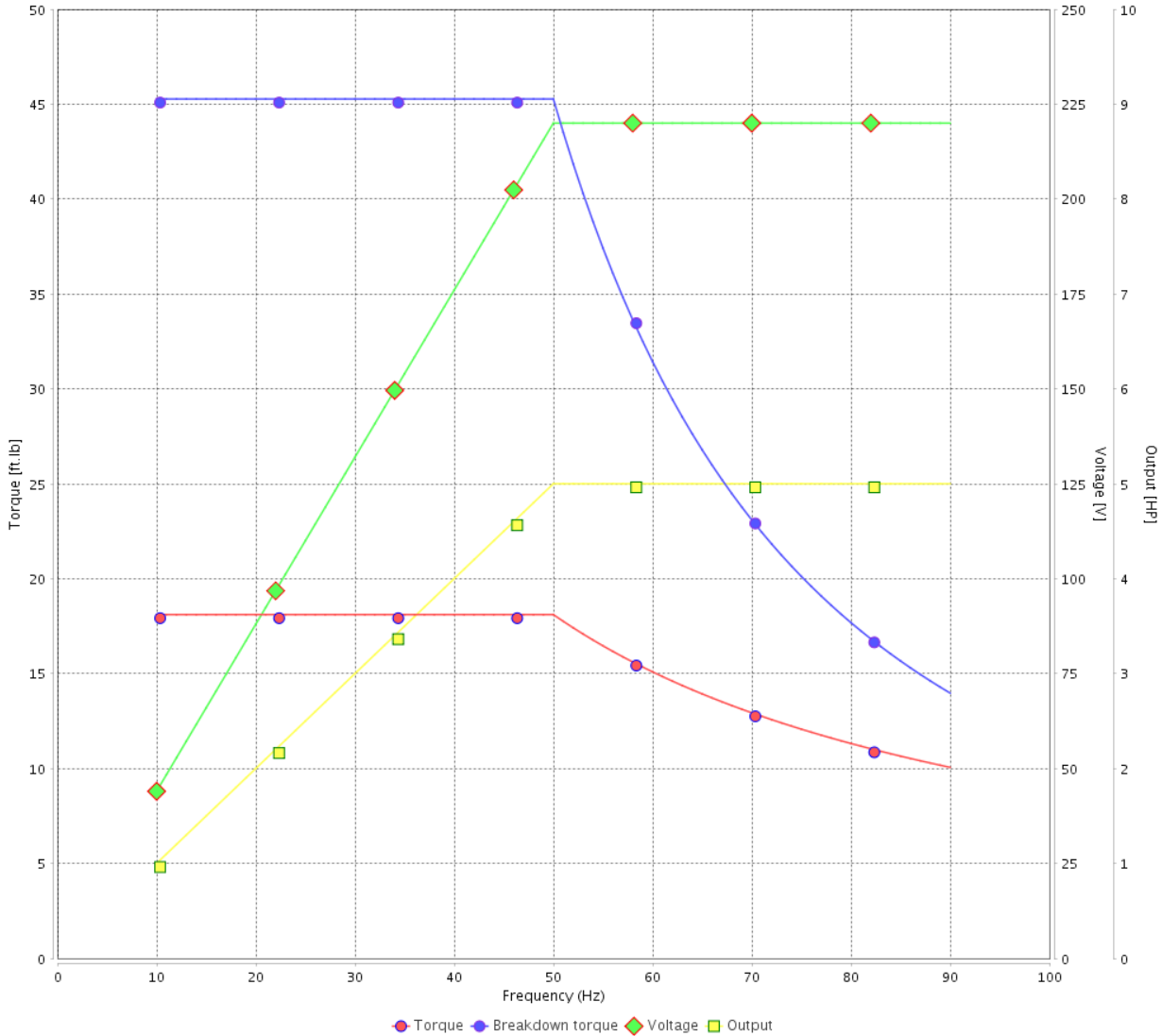
Customer :

Product line : JP Pump NEMA Premium Efficiency Three-Phase

Product code : 14277192

Catalog # : 00518OT3E184JP-SG

VFD OPERATION CURVE



Performance : 220/415 V 50 Hz 4P

Rated current : 13.8/7.32 A  
 LRC : 6.5  
 Rated torque : 18.1 ft.lb  
 Locked rotor torque : 160 %  
 Breakdown torque : 250 %  
 Rated speed : 1450 rpm

Moment of inertia (J) : 0.4003 sq.ft.lb  
 Duty cycle : Cont.(S1)  
 Insulation class : F  
 Service factor : 1.15  
 Temperature rise : 80 K  
 Design : B

Rev.	Changes Summary	Performed	Checked	Date
Performed by			Page 16 / 16	Revision
Checked by				
Date	12/04/2022			



1 2 3 4 5 6

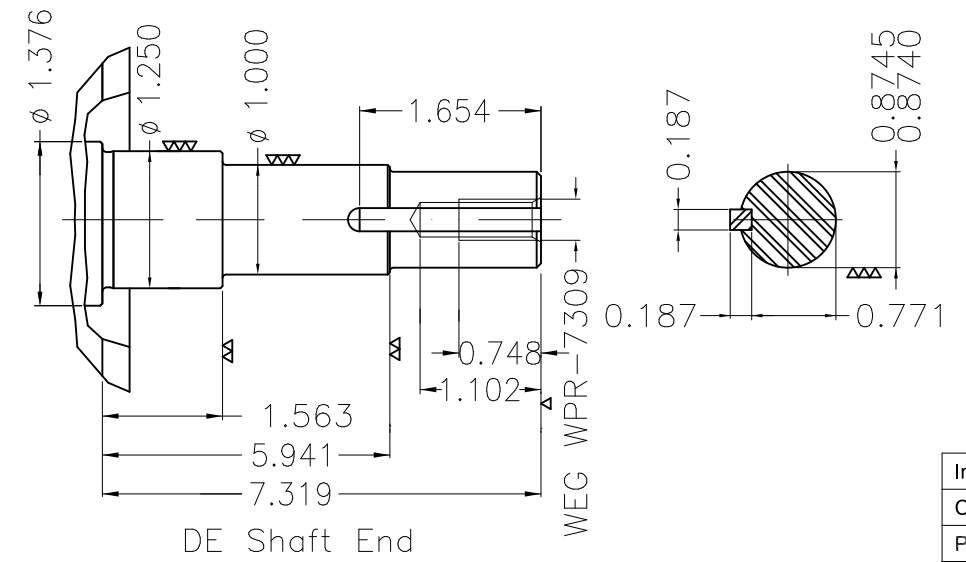
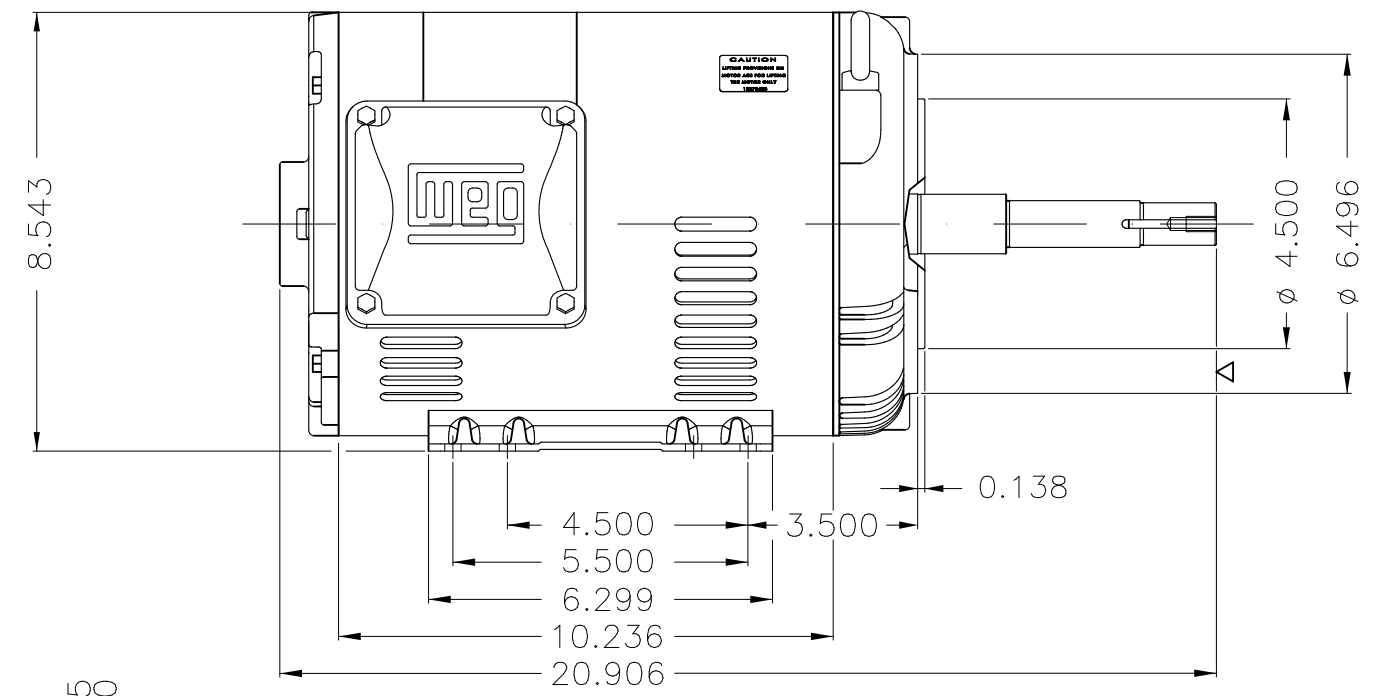
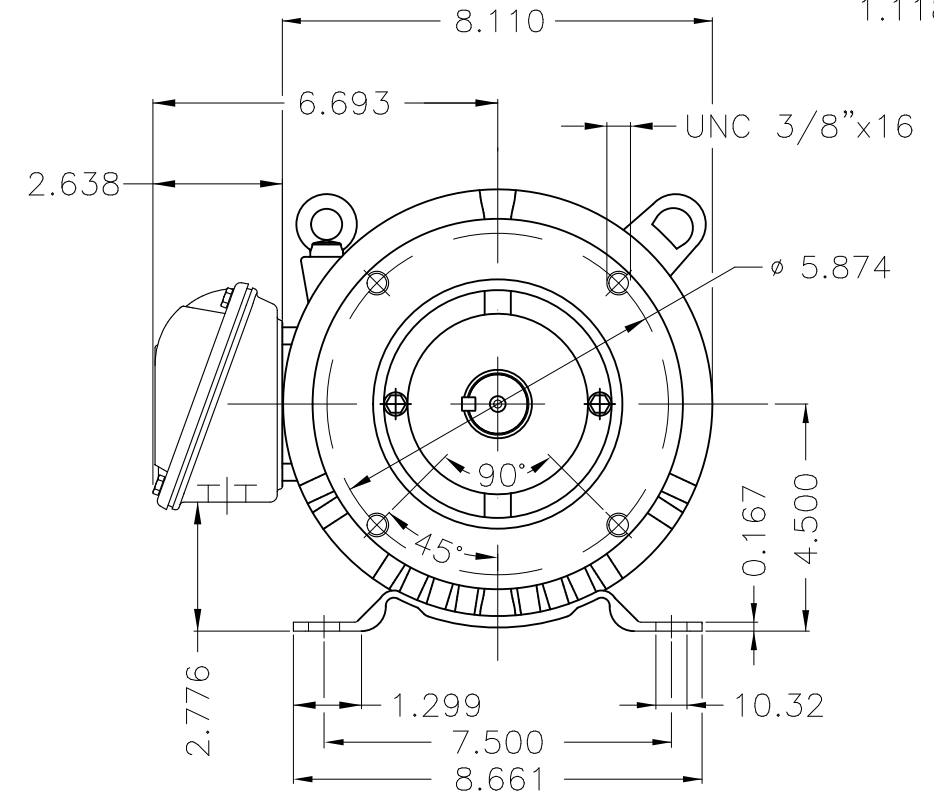
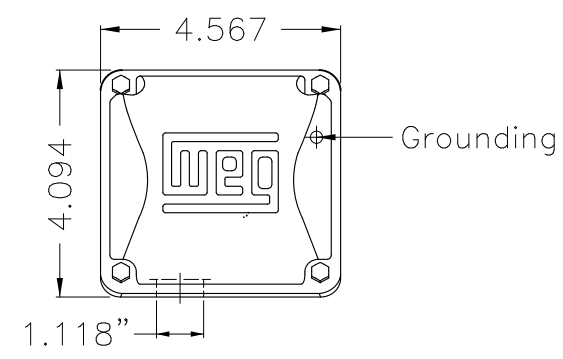
A

B

C

D

E



EUNC 3/8"-16 WEG WPR-7309

Internal AEGIS ground ring on the DE  
 Color Munsell N 1 matte black  
 Painting plan 207N  
 Mounting F-1/B34R(D)

ECM	LOC	SUMMARY OF MODIFICATIONS	EXECUTED	CHECKED	RELEASED	DATE	VER
EXECUTED	PIRWUSER	THREE PH. MOTOR ROLLED STEEL CLOSE COUPLED PUMP JP 300 DE PRELIM					
CHECKED		FRAME 182/4JP IP21 ODP					
RELEASED							
REL DT.	WMO	Jaragua do Sul	Product Engineering	WDD	SHEET	1 / 1	

5 HP 04 Poles 60 Hz





**NEMA**  
**Premium**



MADE IN MEXICO

**MAT: 14277192 CC029A**

**W01.T00IC0X0N**

**MODEL 005180T3E184JP-SG**

**02DEZ2020 S/N:**

<b>PH 3</b>	<b>Hz 60</b>	<b>HP 5.0</b>
<b>FR 182/4JP</b>		<b>KW 3.7</b>
<b>DUTY CONT.</b>		<b>V 230/460</b>
<b>ALT 1000 m.a.s.l.</b>		<b>A 12.7/6.33</b>
<b>INS CL F AT 80K</b>		<b>SFA 14.6/7.28</b>
<b>AMB 40°C</b>	<b>DES B</b>	<b>SF 1.15</b>
<b>ENCL ODP</b>	<b>CODE J</b>	<b>PF 0.82</b>
<b>USABLE @ 208V 14.0A</b>		<b>RPM 1760</b>
<b>SF1.00</b>		<b>NEMA NOM. EFF 89.5%</b>

**ALTERNATE RATING: 5.0HP 50Hz 190-220/380-415V SF1.15**  
**15.4-13.57.71-7.18A 1445RPM EFF 84.8% (IE1) IEC 60034-1**

**Inverter duty motor For 80Hz use on VPWM 1000:1 VT, 5:1 CT**

<b>DE 6207-ZZ</b>	<b>ODE 6205-ZZ</b>	<b>MOBIL POLYREX EM</b>
-------------------	--------------------	-------------------------



T1-BLU T2-WHT  
 T3-ORG T4-YEL  
 T5-BLK T6-GRY  
 T7-PNK T8-RED  
 T9-BRK RED

**INTERCHANGE ANY TWO LINE WIRES TO REVERSE THE ROTATION**

**WARNING:** Motor must be grounded in accordance with local and national electrical codes to prevent serious electrical shocks. Disconnect power source before servicing unit.



**AVERTISSEMENT:** Le moteur doit être mis à la terre

conformément aux codes électriques locaux et nationaux afin d'éviter tout choc électrique grave. Déconnectez l'alimentation avant l'entretien de la machine.

