

DATA SHEET

Three Phase Induction Motor - Squirrel Cage



Customer :		
Product line	: NEMA Premium Efficiency Three-Phase	
Product code :	12751163	
Catalog # :	00518OT3E184TC-S	
Frame	: 182/4TC	
Insulation class	: F	
Duty cycle	: Cont.(S1)	
Ambient temperature	: -20°C to +40°C	
Altitude	: 1000 m.a.s.l.	
Design	: B	
Cooling method	: IC01 - ODP	
Mounting	: F-1	
Rotation ¹	: Both (CW and CCW)	
Starting method	: Direct On Line	
Approx. weight ²	: 90.5 lb	
Moment of inertia (J)	: 0.4003 sq.ft.lb	
Output [HP]	5	
Poles	4	
Frequency [Hz]	60	
Rated voltage [V]	230/460	
Rated current [A]	12.7/6.33	
L. R. Amperes [A]	91.2/45.6	
LRC [A]	7.2x(Code J)	
No load current [A]	6.29/3.15	
Rated speed [RPM]	1760	
Slip [%]	2.22	
Rated torque [ft.lb]	14.9	
Locked rotor torque [%]	200	
Breakdown torque [%]	310	
Service factor	1.15	
Temperature rise	80 K	
Locked rotor time	21s (cold) 12s (hot)	
Noise level ²	55.0 dB(A)	
Efficiency (%)	25%	87.5
	50%	88.5
	75%	88.5
	100%	89.5
Power Factor	25%	0.38
	50%	0.63
	75%	0.76
	100%	0.82
Bearing type	: <u>Drive end</u> 6206 ZZ <u>Non drive end</u> 6205 ZZ	
Sealing	: Without Without	
	: Bearing Seal Bearing Seal	
Lubrication interval	: - -	
Lubricant amount	: - -	
Lubricant type	: Mobil Polyrex EM	
Foundation loads	Max. traction : 244 lb	
	Max. compression : 334 lb	
Notes		
USABLE @208V 14.0A SF 1.00 SFA 14.0A		
This revision replaces and cancel the previous one, which must be eliminated.		
(1) Looking the motor from the shaft end.		
(2) Measured at 1m and with tolerance of +3dB(A).		
(3) Approximate weight subject to changes after manufacturing process.		
(4) At 100% of full load.		
These are average values based on tests with sinusoidal power supply, subject to the tolerances stipulated in NEMA MG-1.		
Rev.	Changes Summary	
Performed by	Performed	
Checked by	Checked	
Date	Date	
12/04/2022		
Page	Revision	
1 / 16		

TORQUE AND CURRENT VS SPEED CURVE

Three Phase Induction Motor - Squirrel Cage



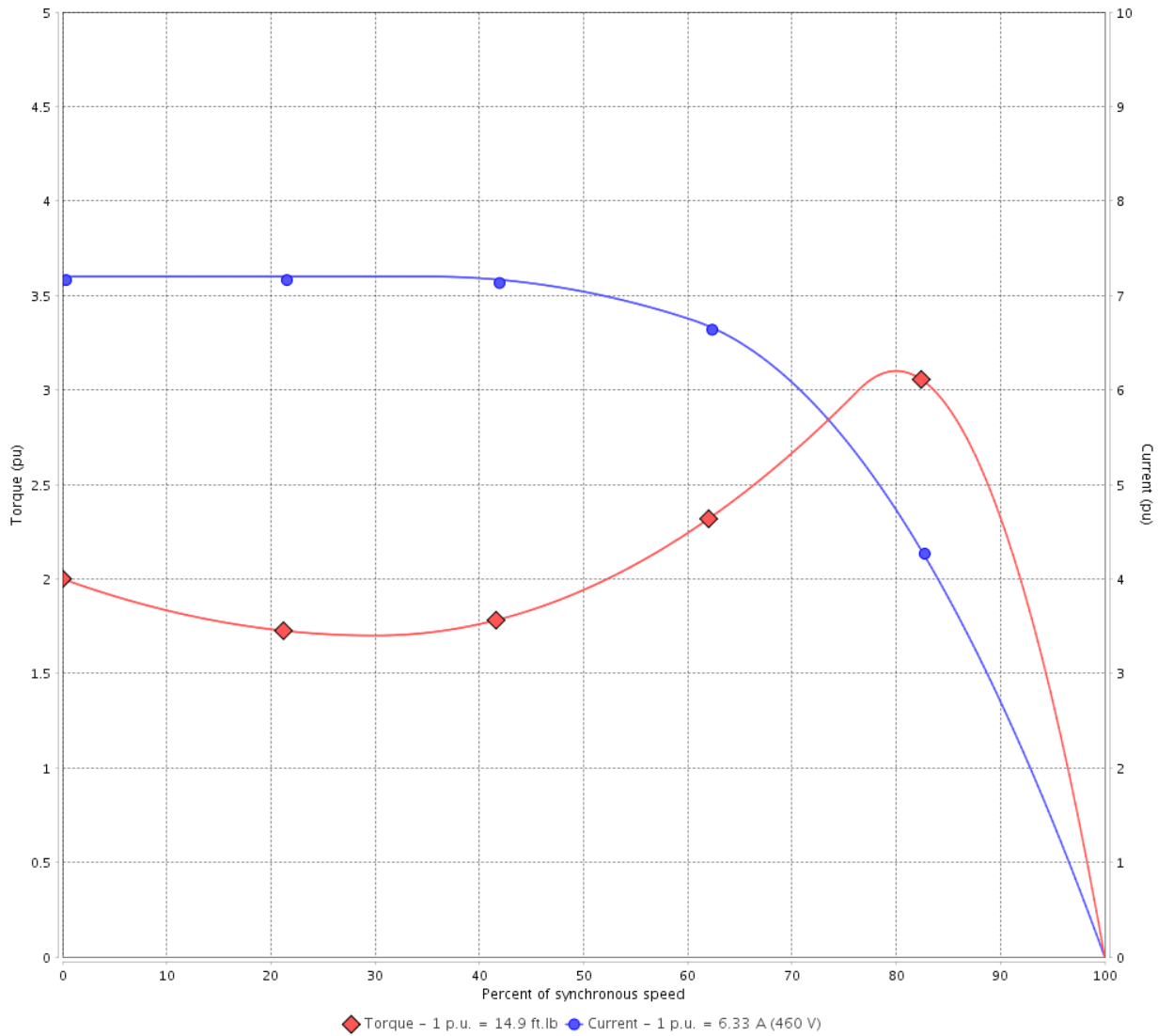
Customer :

Product line : NEMA Premium Efficiency Three-Phase

Product code : 12751163

Catalog # : 00518OT3E184TC-S

TORQUE AND CURRENT VS SPEED CURVE



Performance : 230/460 V 60 Hz 4P

Rated current : 12.7/6.33 A
 LRC : 7.2
 Rated torque : 14.9 ft.lb
 Locked rotor torque : 200 %
 Breakdown torque : 310 %
 Rated speed : 1760 rpm

Moment of inertia (J) : 0.4003 sq.ft.lb
 Duty cycle : Cont.(S1)
 Insulation class : F
 Service factor : 1.15
 Temperature rise : 80 K
 Design : B

Locked rotor time : 21s (cold) 12s (hot)

Rev.	Changes Summary	Performed	Checked	Date
Performed by			Page 2 / 16	Revision
Checked by				
Date	12/04/2022			

TORQUE AND CURRENT VS SPEED CURVE



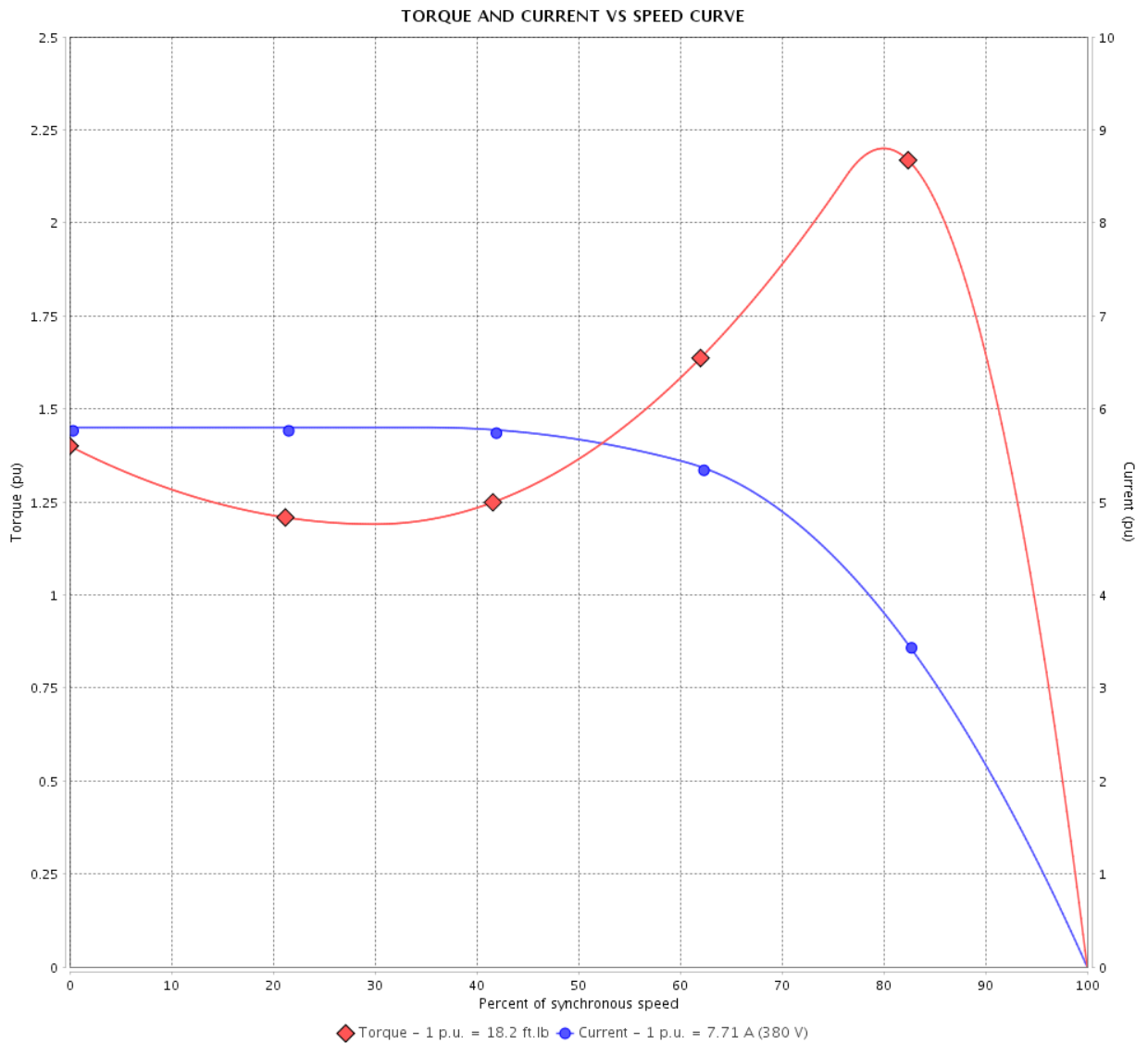
Three Phase Induction Motor - Squirrel Cage

Customer :

Product line : NEMA Premium Efficiency Three-Phase

Product code : 12751163

Catalog # : 005180T3E184TC-S



Performance : 190/380 V 50 Hz 4P

Rated current : 15.4/7.71 A
 LRC : 5.8
 Rated torque : 18.2 ft.lb
 Locked rotor torque : 140 %
 Breakdown torque : 220 %
 Rated speed : 1445 rpm

Moment of inertia (J) : 0.4003 sq.ft.lb
 Duty cycle : Cont.(S1)
 Insulation class : F
 Service factor : 1.15
 Temperature rise : 80 K
 Design : B

Locked rotor time : 0s (cold) 0s (hot)

Rev.	Changes Summary	Performed	Checked	Date
Performed by			Page 3 / 16	Revision
Checked by				
Date	12/04/2022			

TORQUE AND CURRENT VS SPEED CURVE

Three Phase Induction Motor - Squirrel Cage



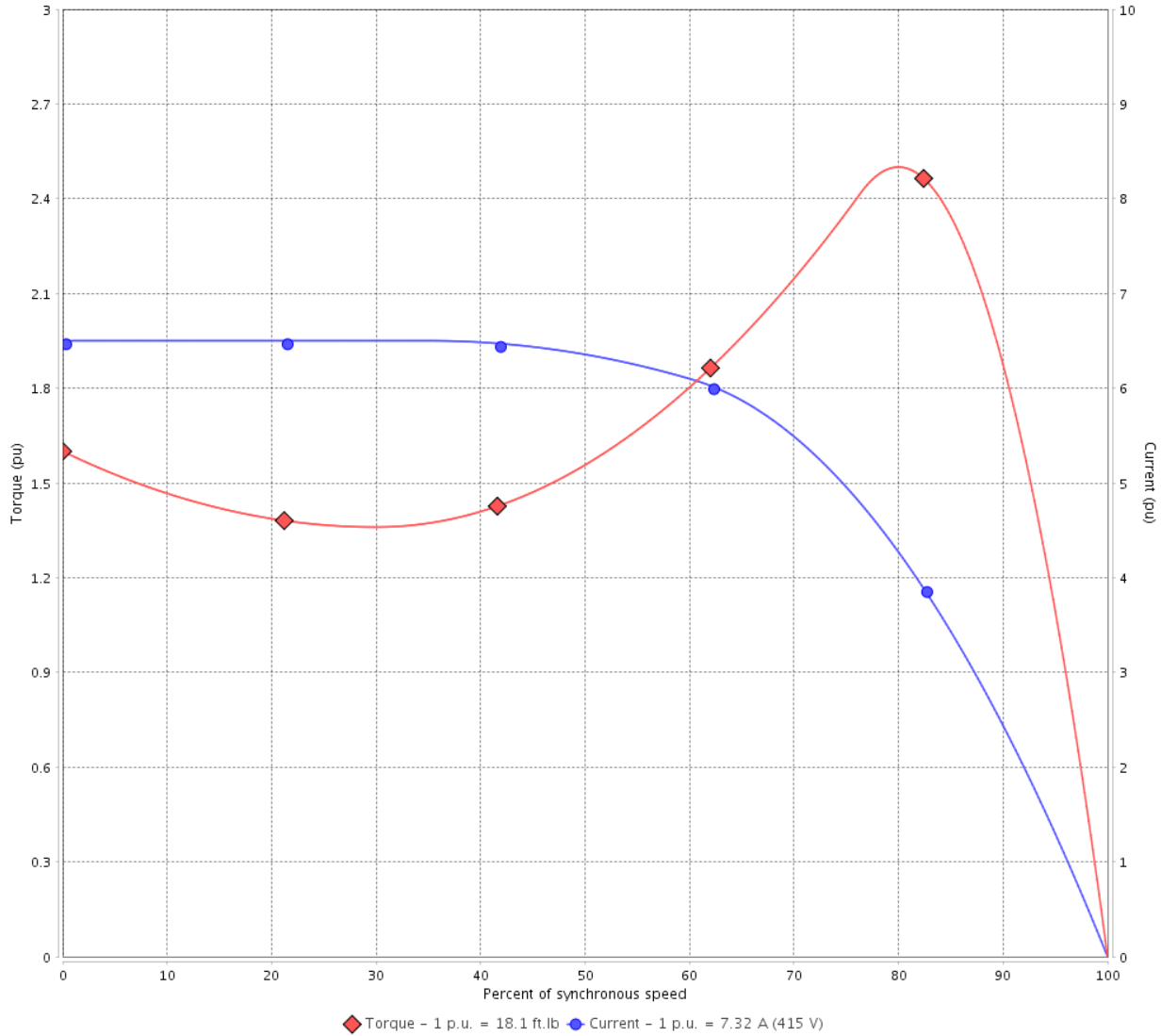
Customer :

Product line : NEMA Premium Efficiency Three-Phase

Product code : 12751163

Catalog # : 00518OT3E184TC-S

TORQUE AND CURRENT VS SPEED CURVE



Performance : 220/415 V 50 Hz 4P

Rated current	: 13.8/7.32 A	Moment of inertia (J)	: 0.4003 sq.ft.lb
LRC	: 6.5	Duty cycle	: Cont.(S1)
Rated torque	: 18.1 ft.lb	Insulation class	: F
Locked rotor torque	: 160 %	Service factor	: 1.15
Breakdown torque	: 250 %	Temperature rise	: 80 K
Rated speed	: 1450 rpm	Design	: B

Locked rotor time : 0s (cold) 0s (hot)

Rev.	Changes Summary	Performed	Checked	Date
Performed by			Page 4 / 16	Revision
Checked by				
Date	12/04/2022			

LOAD PERFORMANCE CURVE

Three Phase Induction Motor - Squirrel Cage

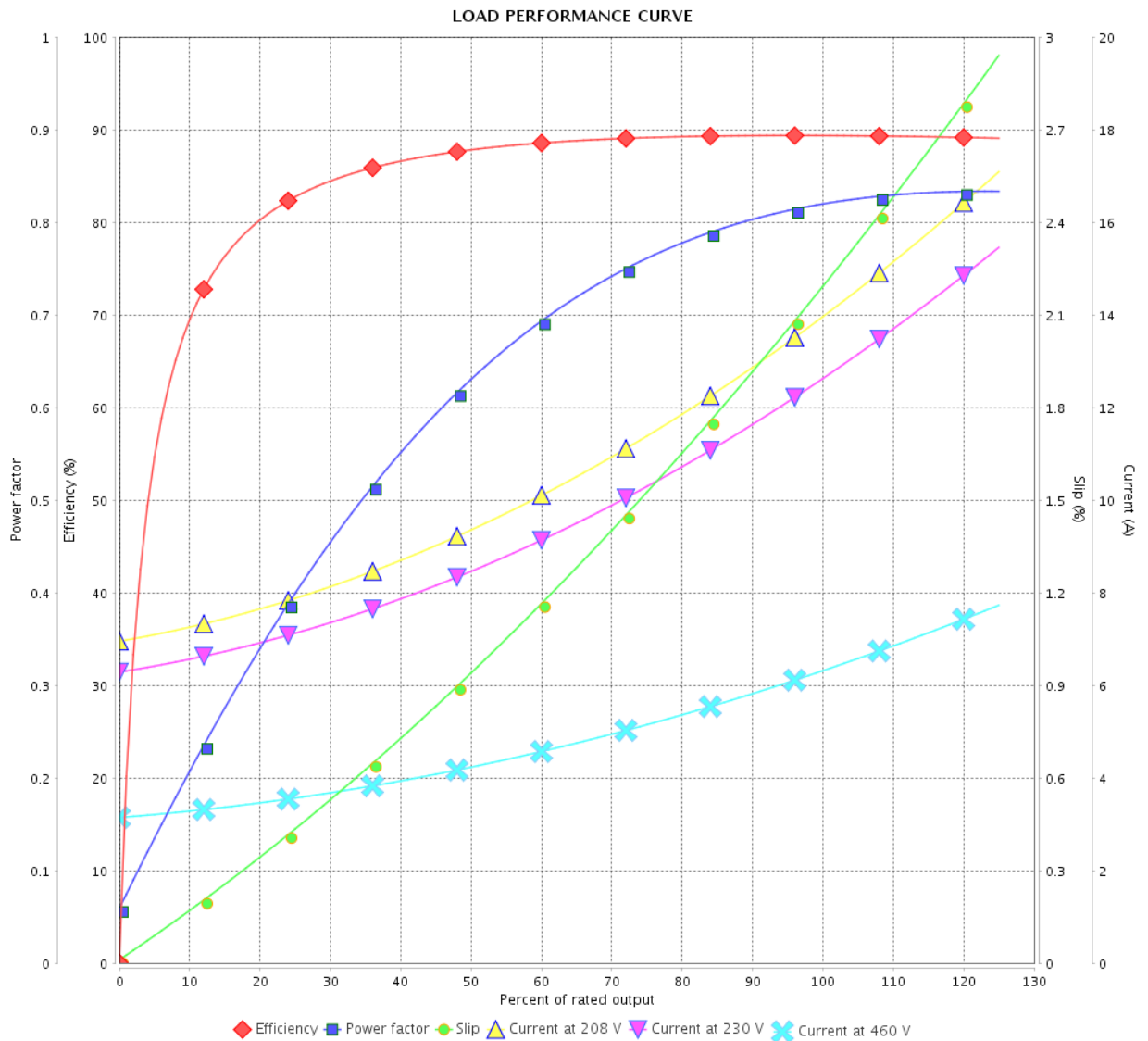


Customer :

Product line : NEMA Premium Efficiency Three-Phase

Product code : 12751163

Catalog # : 005180T3E184TC-S



Performance : 230/460 V 60 Hz 4P

Rated current : 12.7/6.33 A
 LRC : 7.2
 Rated torque : 14.9 ft.lb
 Locked rotor torque : 200 %
 Breakdown torque : 310 %
 Rated speed : 1760 rpm

Moment of inertia (J) : 0.4003 sq.ft.lb
 Duty cycle : Cont.(S1)
 Insulation class : F
 Service factor : 1.15
 Temperature rise : 80 K
 Design : B

Rev.	Changes Summary	Performed	Checked	Date
Performed by			Page	Revision
Checked by			5 / 16	
Date	12/04/2022			

LOAD PERFORMANCE CURVE

Three Phase Induction Motor - Squirrel Cage



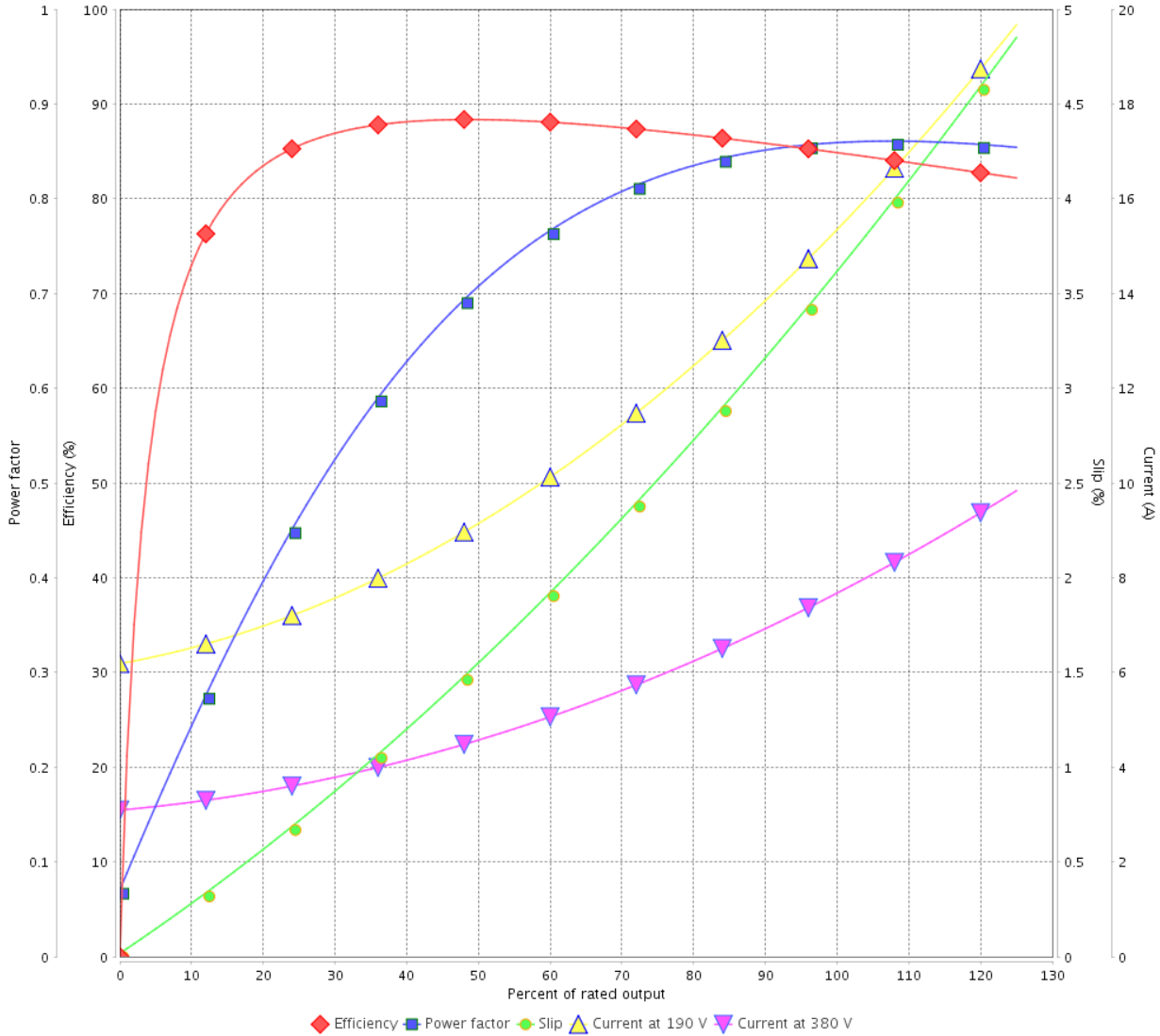
Customer :

Product line : NEMA Premium Efficiency Three-Phase

Product code : 12751163

Catalog # : 00518OT3E184TC-S

LOAD PERFORMANCE CURVE



Performance : 190/380 V 50 Hz 4P

Rated current : 15.4/7.71 A
 LRC : 5.8
 Rated torque : 18.2 ft.lb
 Locked rotor torque : 140 %
 Breakdown torque : 220 %
 Rated speed : 1445 rpm

Moment of inertia (J) : 0.4003 sq.ft.lb
 Duty cycle : Cont.(S1)
 Insulation class : F
 Service factor : 1.15
 Temperature rise : 80 K
 Design : B

Rev.	Changes Summary	Performed	Checked	Date
Performed by			Page	Revision
Checked by			6 / 16	
Date	12/04/2022			

LOAD PERFORMANCE CURVE

Three Phase Induction Motor - Squirrel Cage

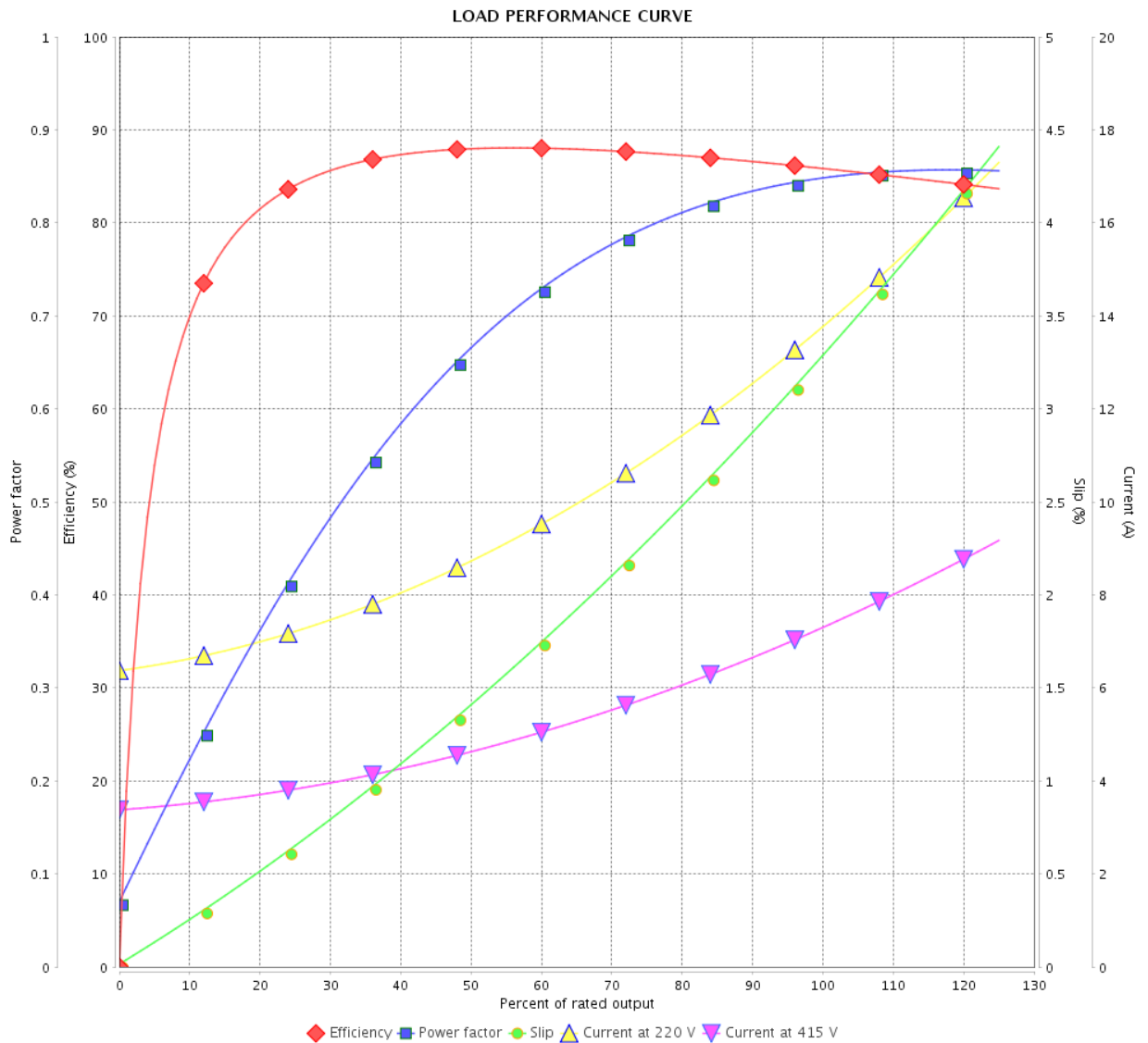


Customer :

Product line : NEMA Premium Efficiency Three-Phase

Product code : 12751163

Catalog # : 00518OT3E184TC-S



Performance : 220/415 V 50 Hz 4P

Rated current : 13.8/7.32 A
 LRC : 6.5
 Rated torque : 18.1 ft.lb
 Locked rotor torque : 160 %
 Breakdown torque : 250 %
 Rated speed : 1450 rpm

Moment of inertia (J) : 0.4003 sq.ft.lb
 Duty cycle : Cont.(S1)
 Insulation class : F
 Service factor : 1.15
 Temperature rise : 80 K
 Design : B

Rev.	Changes Summary	Performed	Checked	Date
Performed by		Page		Revision
Checked by		7 / 16		
Date		12/04/2022		

THERMAL LIMIT CURVE



Three Phase Induction Motor - Squirrel Cage

Customer :

Product line : NEMA Premium Efficiency Three-Phase
Product code : 12751163
Catalog # : 00518OT3E184TC-S

Performance : 230/460 V 60 Hz 4P

Rated current	: 12.7/6.33 A	Moment of inertia (J)	: 0.4003 sq.ft.lb
LRC	: 7.2	Duty cycle	: Cont.(S1)
Rated torque	: 14.9 ft.lb	Insulation class	: F
Locked rotor torque	: 200 %	Service factor	: 1.15
Breakdown torque	: 310 %	Temperature rise	: 80 K
Rated speed	: 1760 rpm	Design	: B

Heating constant

Cooling constant

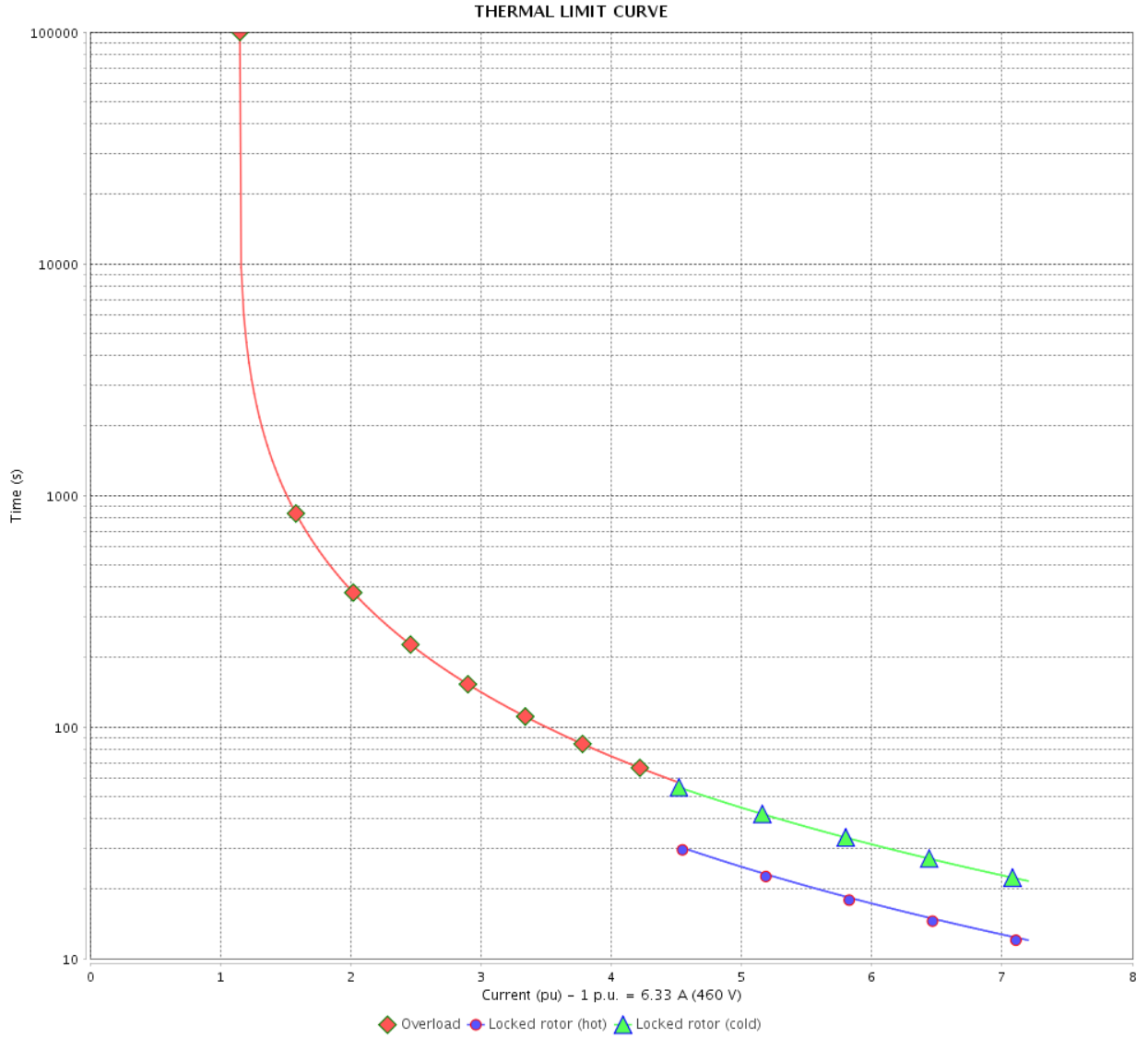
Rev.	Changes Summary	Performed	Checked	Date
Performed by				
Checked by			Page	Revision
Date	12/04/2022		8 / 16	

THERMAL LIMIT CURVE

Three Phase Induction Motor - Squirrel Cage



Customer : _____



Rev.	Changes Summary	Performed	Checked	Date
Performed by		Page		Revision
Checked by		9 / 16		
Date		12/04/2022		

THERMAL LIMIT CURVE



Three Phase Induction Motor - Squirrel Cage

Customer :

Product line : NEMA Premium Efficiency Three-Phase
 Product code : 12751163
 Catalog # : 00518OT3E184TC-S

Performance : 190/380 V 50 Hz 4P

Rated current : 15.4/7.71 A	Moment of inertia (J) : 0.4003 sq.ft.lb
LRC : 5.8	Duty cycle : Cont.(S1)
Rated torque : 18.2 ft.lb	Insulation class : F
Locked rotor torque : 140 %	Service factor : 1.15
Breakdown torque : 220 %	Temperature rise : 80 K
Rated speed : 1445 rpm	Design : B

Heating constant

Cooling constant

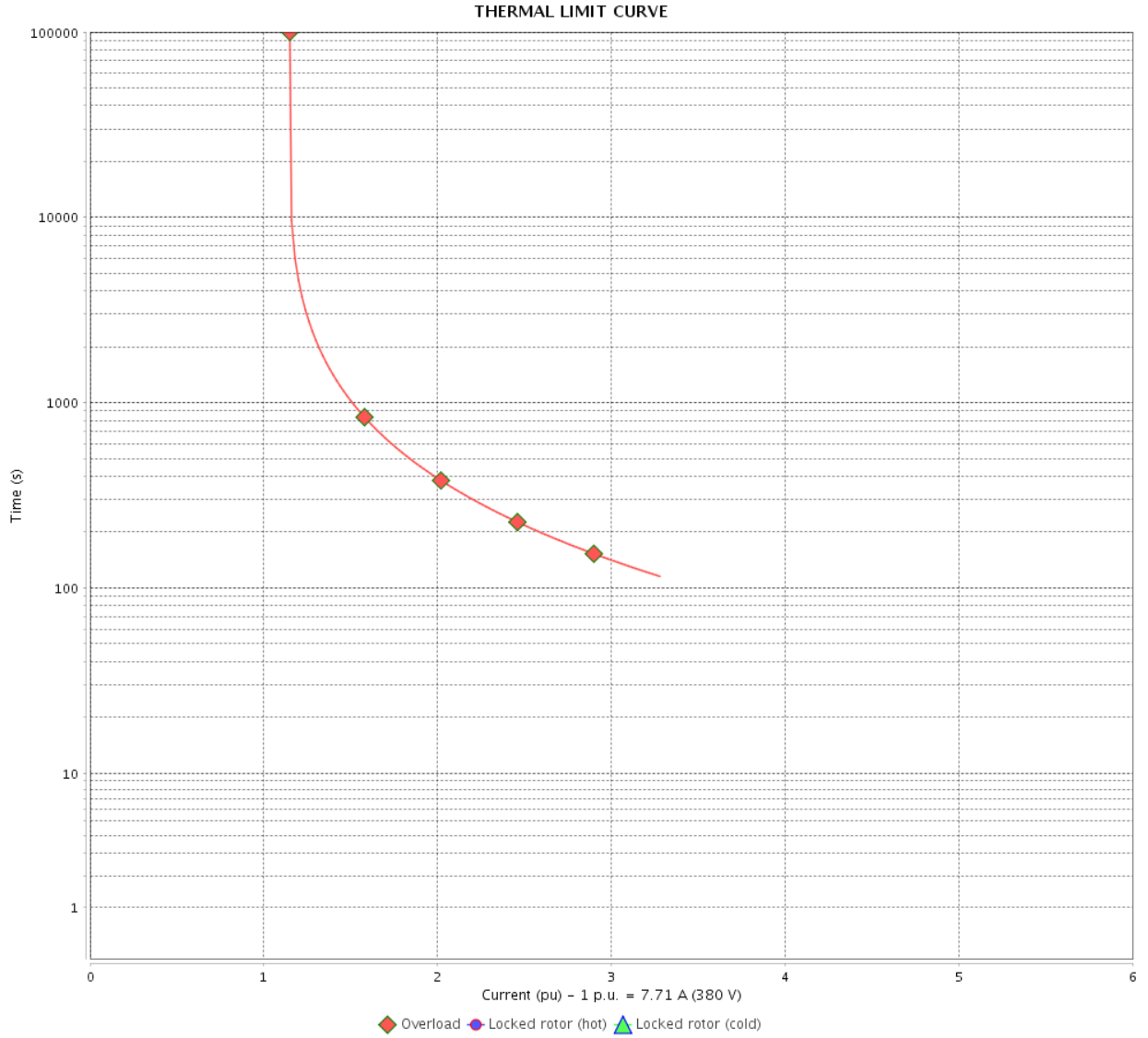
Rev.	Changes Summary	Performed	Checked	Date
Performed by			Page 10 / 16	Revision
Checked by				
Date	12/04/2022			

THERMAL LIMIT CURVE

Three Phase Induction Motor - Squirrel Cage



Customer : _____



Rev.	Changes Summary	Performed	Checked	Date
Performed by		Page		Revision
Checked by		11 / 16		
Date		12/04/2022		

THERMAL LIMIT CURVE



Three Phase Induction Motor - Squirrel Cage

Customer :

Product line : NEMA Premium Efficiency Three-Phase
Product code : 12751163
Catalog # : 00518OT3E184TC-S

Performance : 220/415 V 50 Hz 4P

Rated current	: 13.8/7.32 A	Moment of inertia (J)	: 0.4003 sq.ft.lb
LRC	: 6.5	Duty cycle	: Cont.(S1)
Rated torque	: 18.1 ft.lb	Insulation class	: F
Locked rotor torque	: 160 %	Service factor	: 1.15
Breakdown torque	: 250 %	Temperature rise	: 80 K
Rated speed	: 1450 rpm	Design	: B

Heating constant

Cooling constant

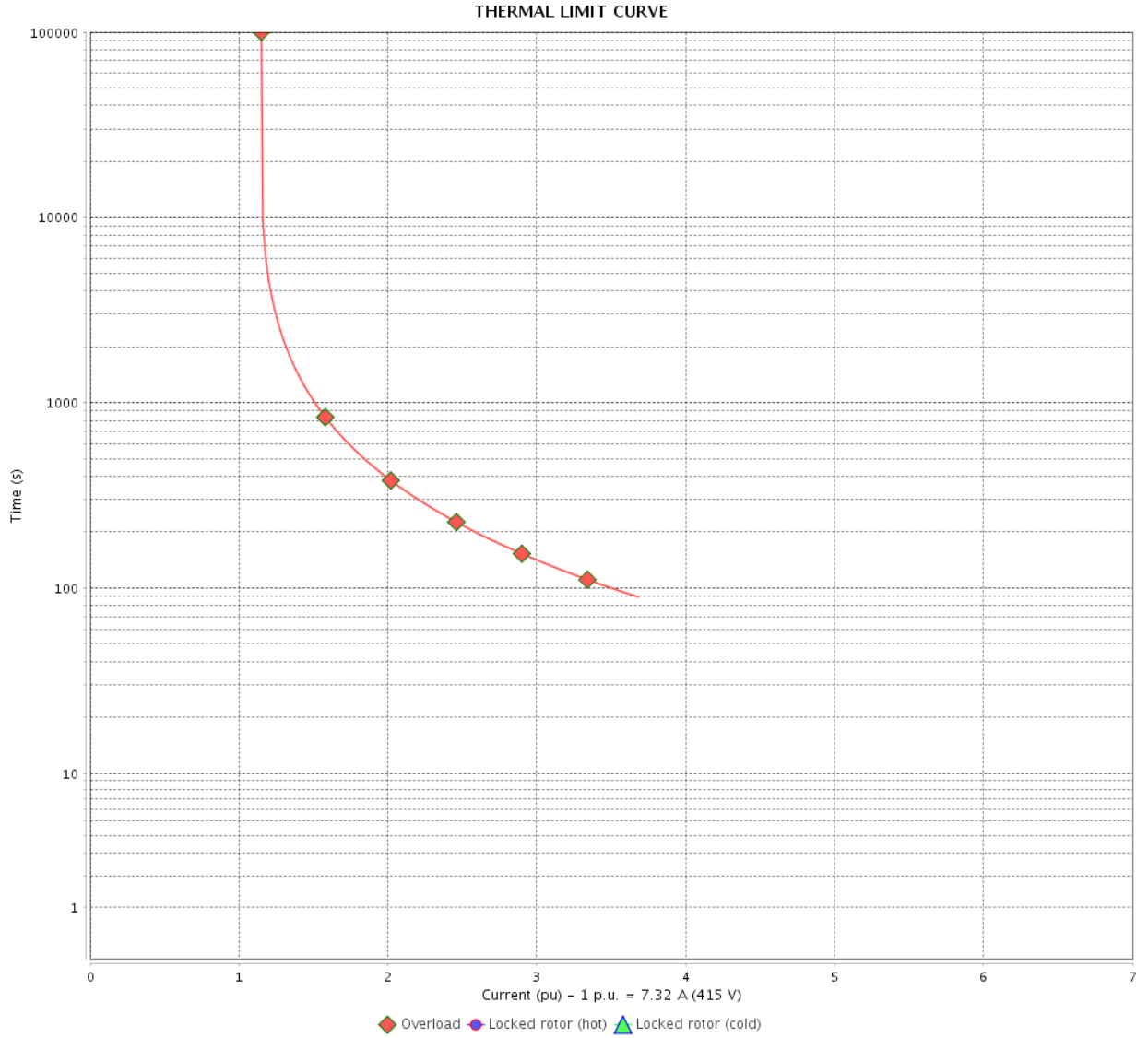
Rev.	Changes Summary	Performed	Checked	Date
Performed by				
Checked by			Page	Revision
Date	12/04/2022		12 / 16	

THERMAL LIMIT CURVE

Three Phase Induction Motor - Squirrel Cage



Customer : _____



Rev.	Changes Summary	Performed	Checked	Date
Performed by		Page		Revision
Checked by		13 / 16		
Date		12/04/2022		

VFD OPERATION CURVE

Three Phase Induction Motor - Squirrel Cage



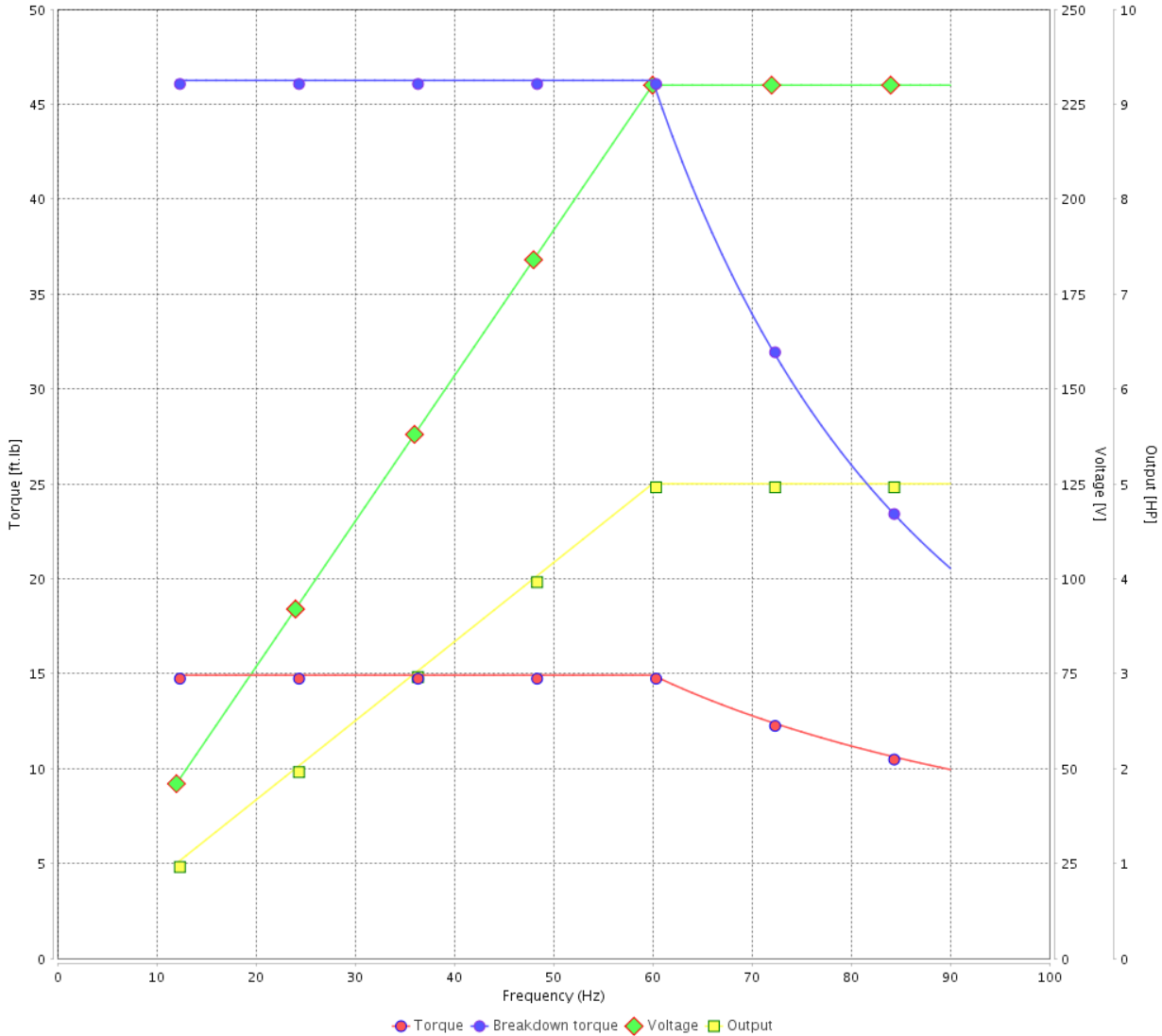
Customer :

Product line : NEMA Premium Efficiency Three-Phase

Product code : 12751163

Catalog # : 00518OT3E184TC-S

VFD OPERATION CURVE



Performance : 230/460 V 60 Hz 4P

Rated current : 12.7/6.33 A
 LRC : 7.2
 Rated torque : 14.9 ft.lb
 Locked rotor torque : 200 %
 Breakdown torque : 310 %
 Rated speed : 1760 rpm

Moment of inertia (J) : 0.4003 sq.ft.lb
 Duty cycle : Cont.(S1)
 Insulation class : F
 Service factor : 1.15
 Temperature rise : 80 K
 Design : B

Rev.	Changes Summary	Performed	Checked	Date
Performed by			Page	Revision
Checked by				
Date				

VFD OPERATION CURVE

Three Phase Induction Motor - Squirrel Cage

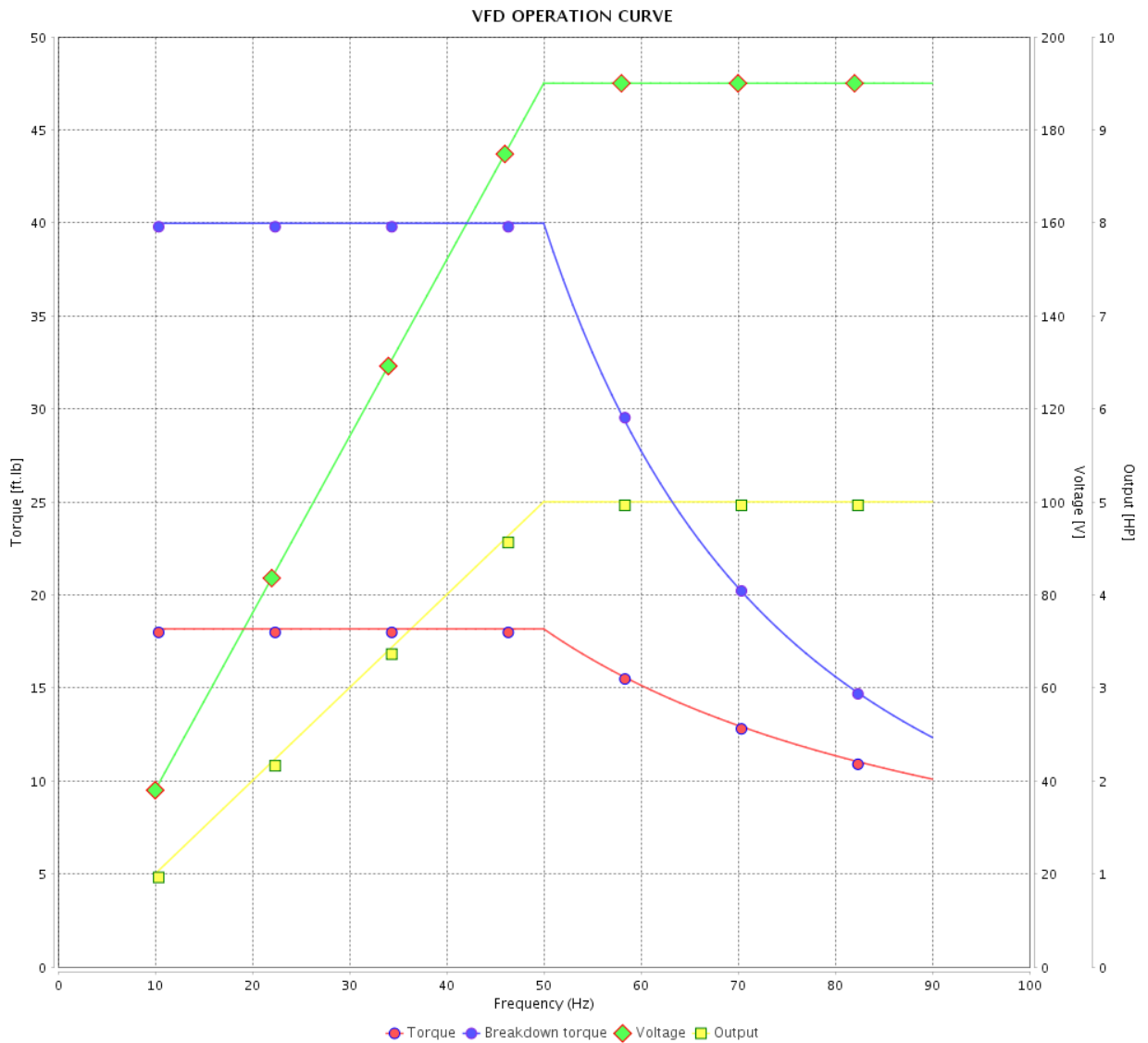


Customer :

Product line : NEMA Premium Efficiency Three-Phase

Product code : 12751163

Catalog # : 00518OT3E184TC-S



Performance : 190/380 V 50 Hz 4P

Rated current : 15.4/7.71 A
 LRC : 5.8
 Rated torque : 18.2 ft.lb
 Locked rotor torque : 140 %
 Breakdown torque : 220 %
 Rated speed : 1445 rpm

Moment of inertia (J) : 0.4003 sq.ft.lb
 Duty cycle : Cont.(S1)
 Insulation class : F
 Service factor : 1.15
 Temperature rise : 80 K
 Design : B

Rev.	Changes Summary	Performed	Checked	Date
Performed by		Page		Revision
Checked by		15 / 16		
Date		12/04/2022		

VFD OPERATION CURVE

Three Phase Induction Motor - Squirrel Cage



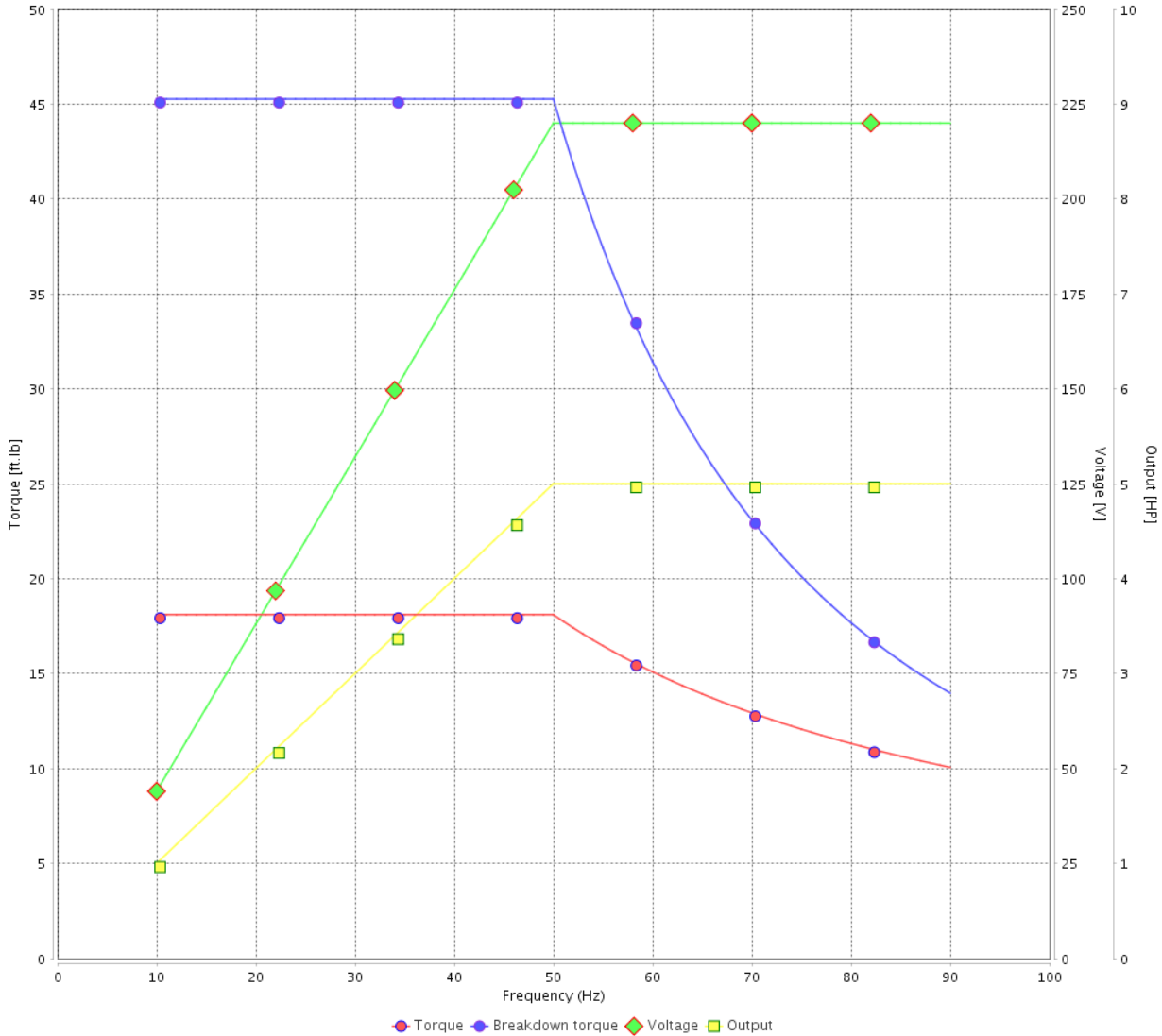
Customer :

Product line : NEMA Premium Efficiency Three-Phase

Product code : 12751163

Catalog # : 00518OT3E184TC-S

VFD OPERATION CURVE



Performance : 220/415 V 50 Hz 4P

Rated current : 13.8/7.32 A
 LRC : 6.5
 Rated torque : 18.1 ft.lb
 Locked rotor torque : 160 %
 Breakdown torque : 250 %
 Rated speed : 1450 rpm

Moment of inertia (J) : 0.4003 sq.ft.lb
 Duty cycle : Cont.(S1)
 Insulation class : F
 Service factor : 1.15
 Temperature rise : 80 K
 Design : B

Rev.	Changes Summary	Performed	Checked	Date
Performed by			Page 16 / 16	Revision
Checked by				
Date	12/04/2022			

1 2 3 4 5 6

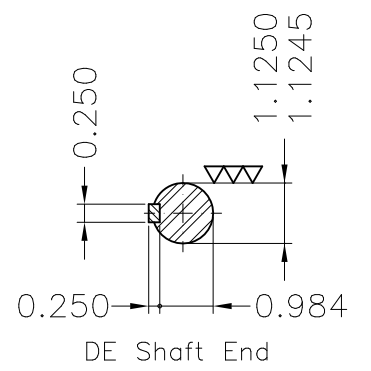
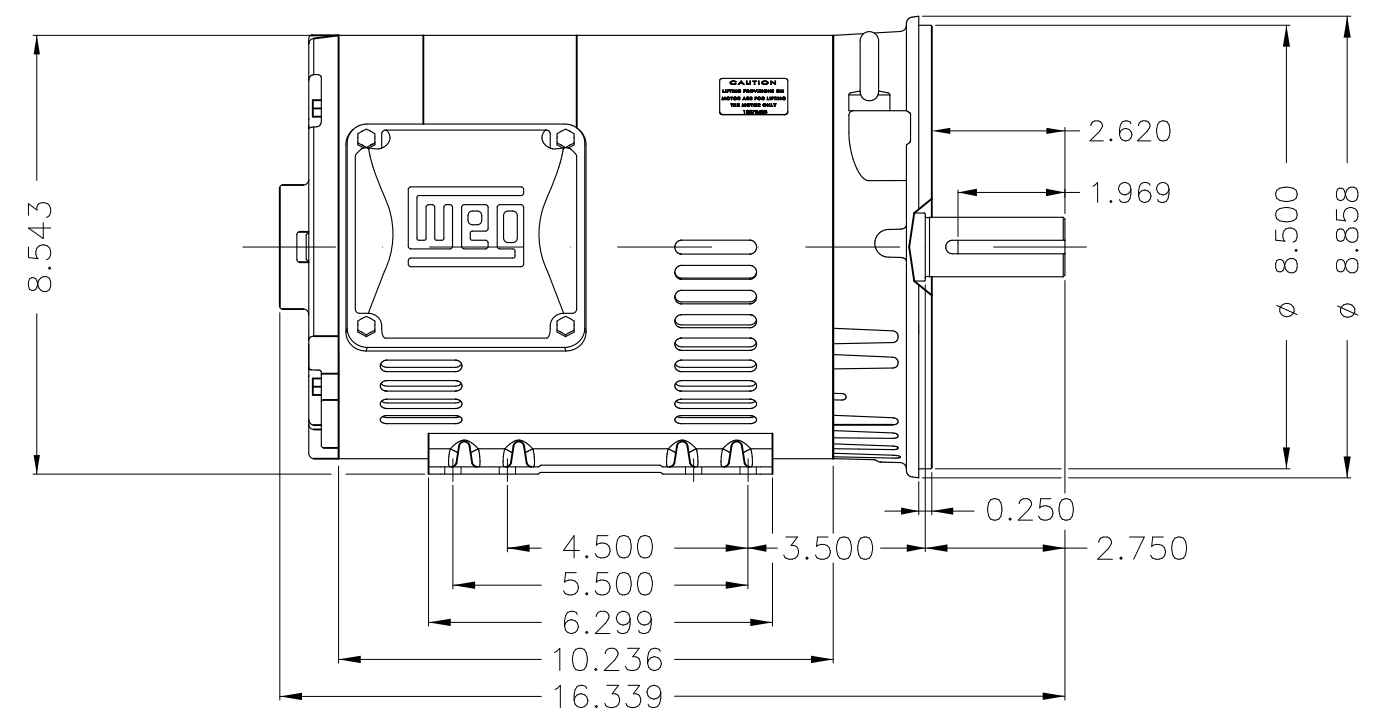
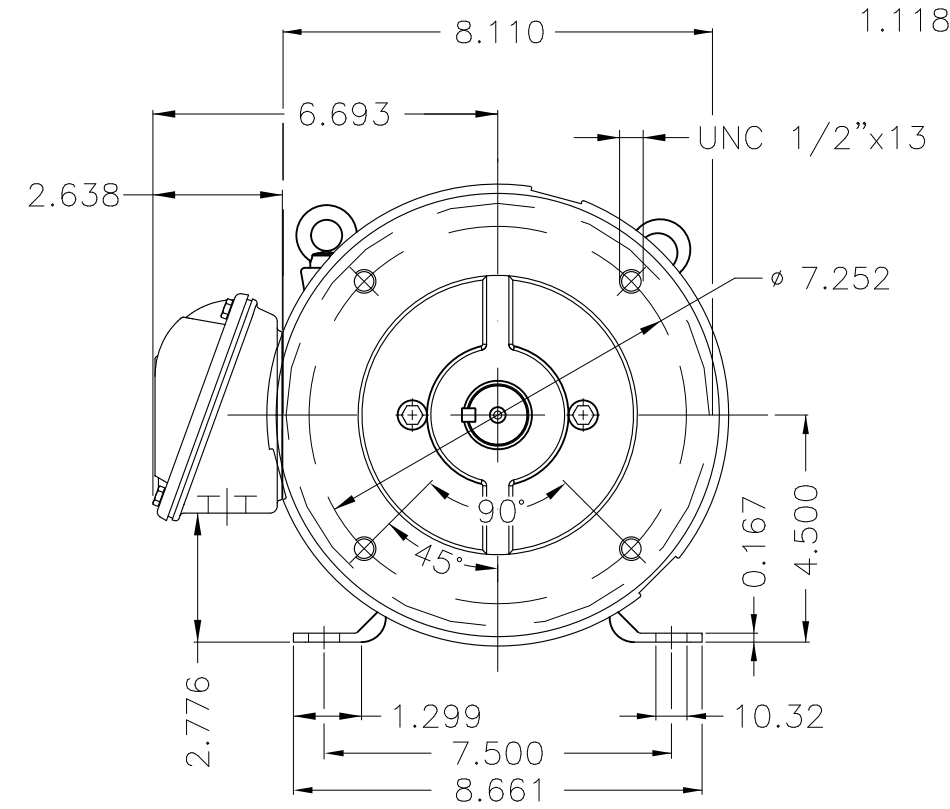
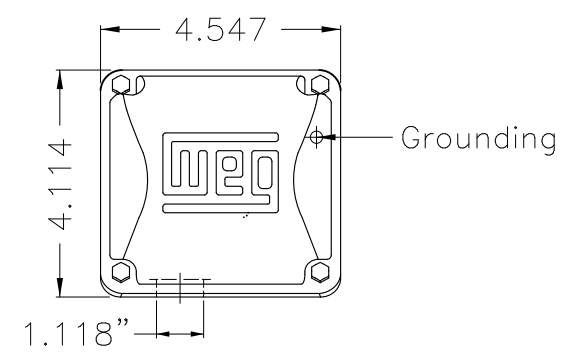
A

B


C

D

E



Dimensions in inches

Color Munsell N 1 matte black									
Painting plan 207N									
Mounting F-1/B34R(D)									
ECM	LOC	SUMMARY OF MODIFICATIONS			EXECUTED	CHECKED	RELEASED	DATE	VER
EXECUTED	PIRWBUSER	THREE PH. MOTOR ROLLED STEEL PREM. EFF.			PREVIEW	WDD	SHEET	1 / 1	
CHECKED		FRAME 182/4TC IP21 ODP							
RELEASED									
REL DT.		WMO	Jaragua do Sul	Product Engineering					

5 HP 04 Poles 60 Hz

A

XME A3

**NEMA**
Premium

MADE IN MEXICO

MAT: 12751163 CC029A

W01.T00IC0X0N

MODEL 005180T3E184TC-S

30MAR2022 S/N:

PH 3	Hz 60	HP 5.0
FR 182/4TC		KW 3.7
DUTY CONT.		V 230/460
ALT 1000 m.a.s.l.		A 12.7/6.33
INS CL F AT 80K		SFA 14.6/7.28
AMB 40°C	DES B	SF 1.15
ENCL ODP	CODE J	PF 0.82
USABLE @ 208V 14.0A		RPM 1760
SF1.00		NEMA NOM. EFF 89.5%

ALTERNATE RATING: 5.0HP 50Hz 190-220/380-415V SF1.15
 15.4-13.57.71-7.18A 1445RPM EFF 84.8% (IE1) IEC 60034-1

Inverter duty motor For 80Hz use on VPWM 1000:1 VT, 5:1 CT

DE 6206-ZZ ODE 6205-ZZ MOBIL POLYREX EM



T1-BLU T2-WHT
 T3-ORG T4-YEL
 T5-BLK T6-GRY
 T7-PNK T8-RED
 T9-BRK RED

INTERCHANGE ANY TWO LINE WIRES TO REVERSE THE ROTATION

WARNING: Motor must be grounded in accordance with local and national electrical codes to prevent serious electrical shocks. Disconnect power source before servicing unit.

**AVERTISSEMENT:** Le moteur doit être mis à la terre

conformément aux codes électriques locaux et nationaux afin d'éviter tout choc électrique grave. Déconnectez l'alimentation avant l'entretien de la machine.

