

TORQUE AND CURRENT VS SPEED CURVE

Three Phase Induction Motor - Squirrel Cage



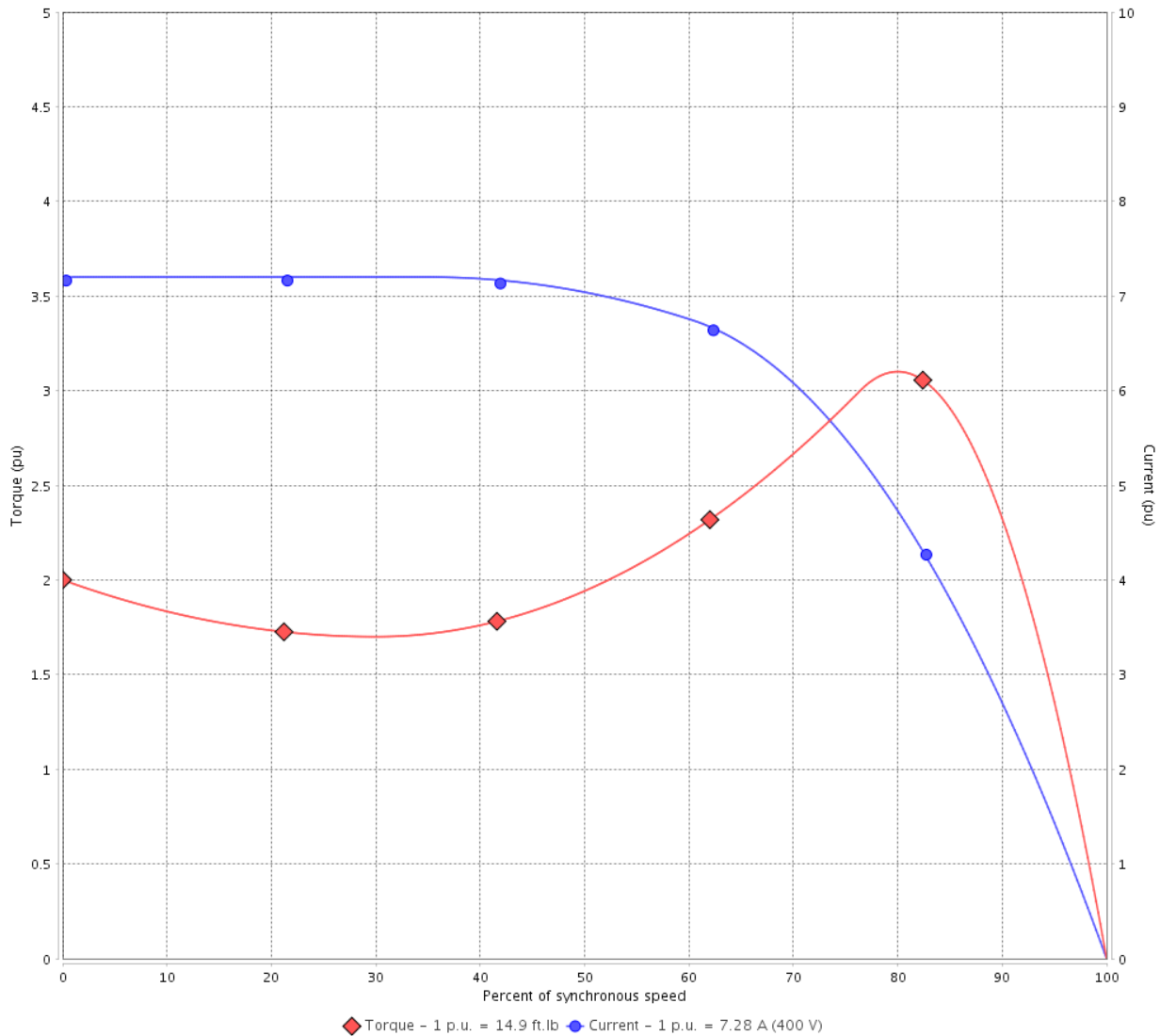
Customer :

Product line : JM Pump NEMA Premium
Efficiency Three-Phase

Product code : 12845394

Catalog # : 00518OT3V184JM-S

TORQUE AND CURRENT VS SPEED CURVE



Performance : 200/400 V 60 Hz 4P

Rated current : 14.6/7.28 A
LRC : 7.2
Rated torque : 14.9 ft.lb
Locked rotor torque : 200 %
Breakdown torque : 310 %
Rated speed : 1760 rpm

Moment of inertia (J) : 0.4003 sq.ft.lb
Duty cycle : Cont.(S1)
Insulation class : F
Service factor : 1.15
Temperature rise : 80 K
Design : B

Locked rotor time : 21s (cold) 12s (hot)

Rev.	Changes Summary	Performed	Checked	Date
Performed by			Page 2 / 6	Revision
Checked by				
Date	12/04/2022			

LOAD PERFORMANCE CURVE

Three Phase Induction Motor - Squirrel Cage

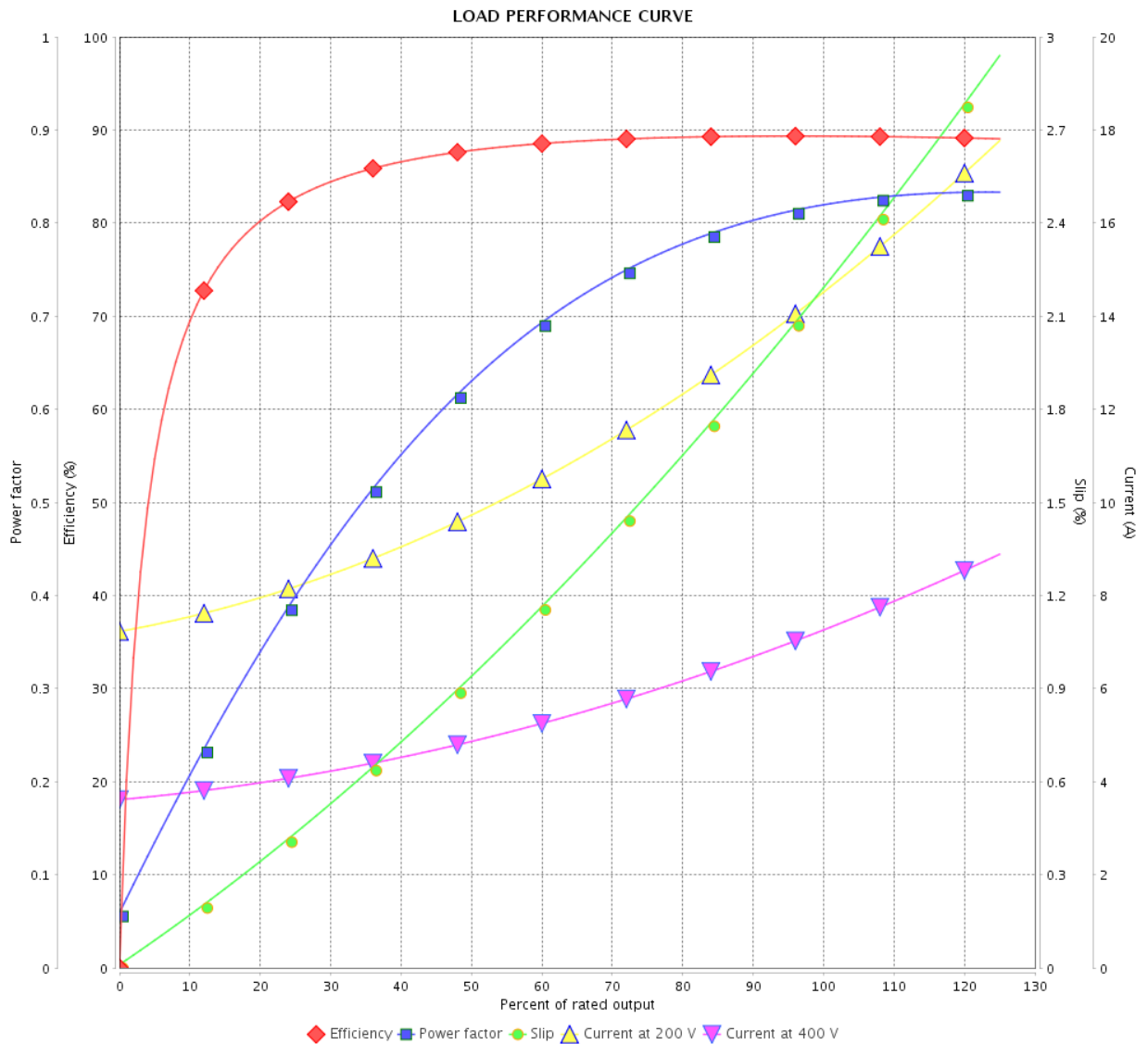


Customer : _____

Product line : JM Pump NEMA Premium
Efficiency Three-Phase

Product code : 12845394

Catalog # : 00518OT3V184JM-S



Performance : 200/400 V 60 Hz 4P

Rated current : 14.6/7.28 A
 LRC : 7.2
 Rated torque : 14.9 ft.lb
 Locked rotor torque : 200 %
 Breakdown torque : 310 %
 Rated speed : 1760 rpm

Moment of inertia (J) : 0.4003 sq.ft.lb
 Duty cycle : Cont.(S1)
 Insulation class : F
 Service factor : 1.15
 Temperature rise : 80 K
 Design : B

Rev.	Changes Summary	Performed	Checked	Date
Performed by			Page	Revision
Checked by			3 / 6	
Date	12/04/2022			

THERMAL LIMIT CURVE



Three Phase Induction Motor - Squirrel Cage

Customer :

Product line : JM Pump NEMA Premium
Efficiency Three-Phase

Product code : 12845394

Catalog # : 00518OT3V184JM-S

Performance : 200/400 V 60 Hz 4P

Rated current : 14.6/7.28 A
LRC : 7.2
Rated torque : 14.9 ft.lb
Locked rotor torque : 200 %
Breakdown torque : 310 %
Rated speed : 1760 rpm

Moment of inertia (J) : 0.4003 sq.ft.lb
Duty cycle : Cont.(S1)
Insulation class : F
Service factor : 1.15
Temperature rise : 80 K
Design : B

Heating constant

Cooling constant

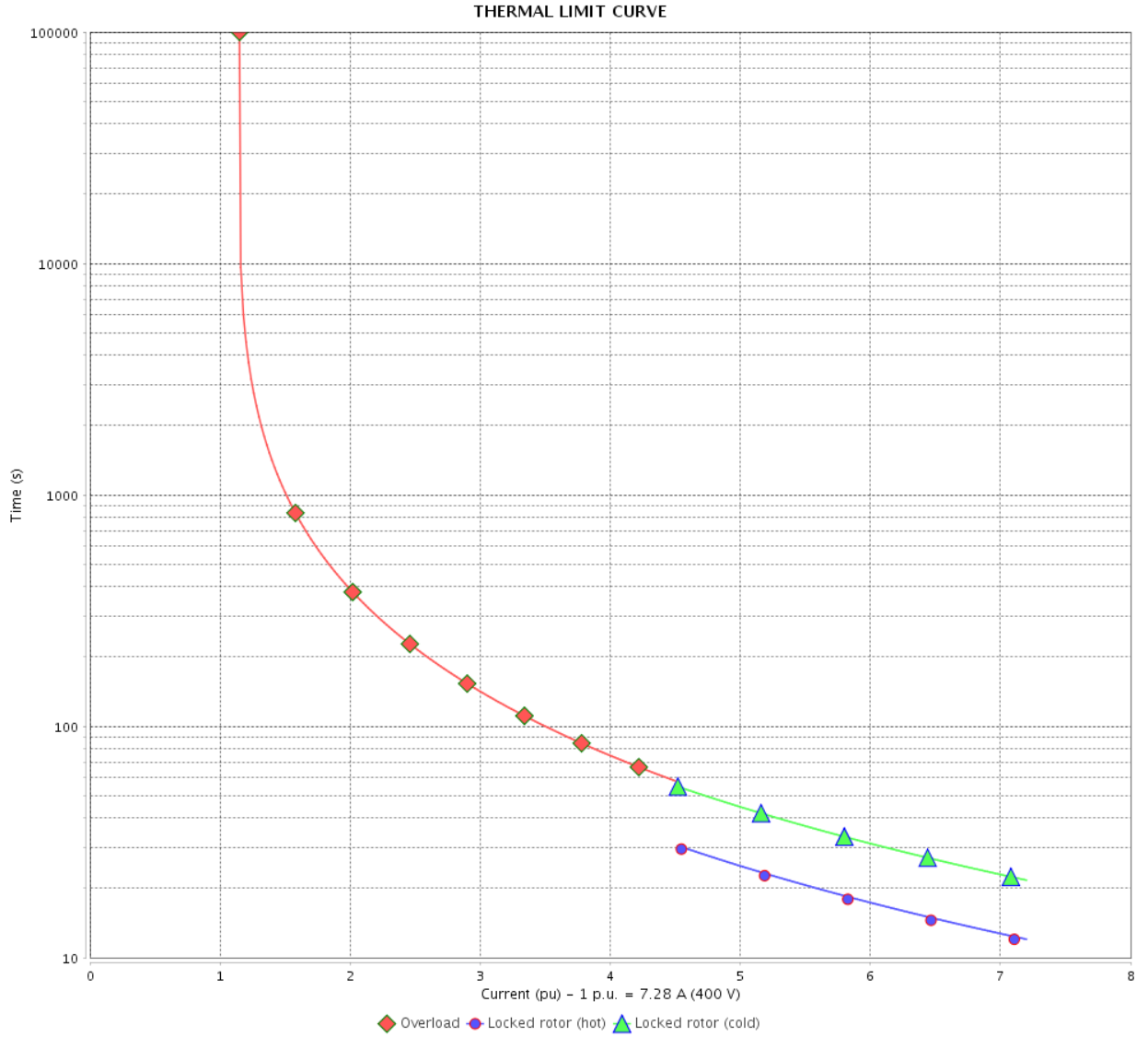
Rev.	Changes Summary	Performed	Checked	Date
Performed by				
Checked by			Page	Revision
Date	12/04/2022		4 / 6	

THERMAL LIMIT CURVE

Three Phase Induction Motor - Squirrel Cage



Customer : _____



Rev.	Changes Summary	Performed	Checked	Date
Performed by		Page		Revision
Checked by		5 / 6		
Date		12/04/2022		

VFD OPERATION CURVE

Three Phase Induction Motor - Squirrel Cage



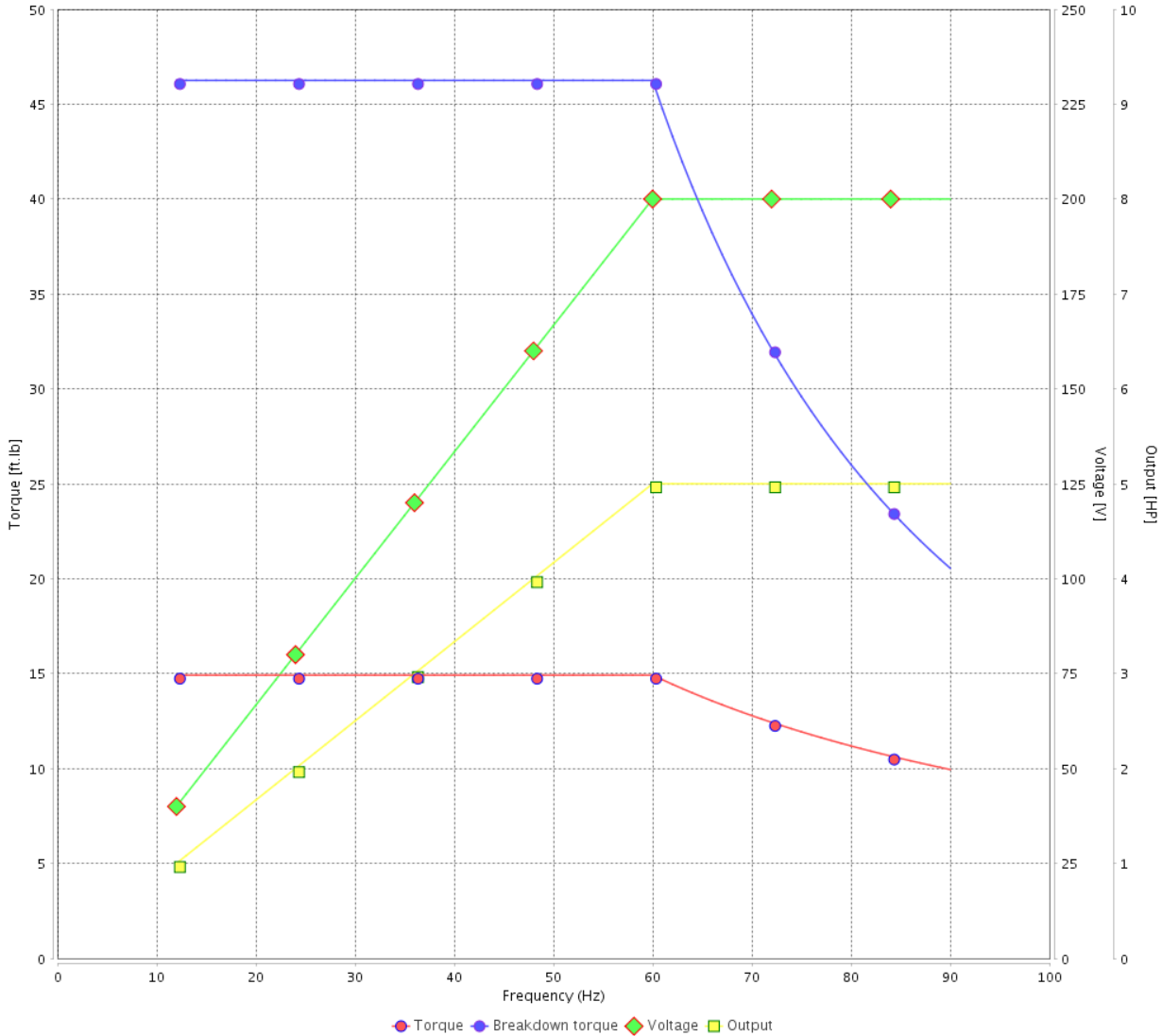
Customer :

Product line : JM Pump NEMA Premium Efficiency Three-Phase

Product code : 12845394

Catalog # : 00518OT3V184JM-S

VFD OPERATION CURVE



Performance : 200/400 V 60 Hz 4P

Rated current : 14.6/7.28 A
 LRC : 7.2
 Rated torque : 14.9 ft.lb
 Locked rotor torque : 200 %
 Breakdown torque : 310 %
 Rated speed : 1760 rpm

Moment of inertia (J) : 0.4003 sq.ft.lb
 Duty cycle : Cont.(S1)
 Insulation class : F
 Service factor : 1.15
 Temperature rise : 80 K
 Design : B

Rev.	Changes Summary	Performed	Checked	Date
Performed by			Page 6 / 6	Revision
Checked by				
Date	12/04/2022			

1 2 3 4 5 6

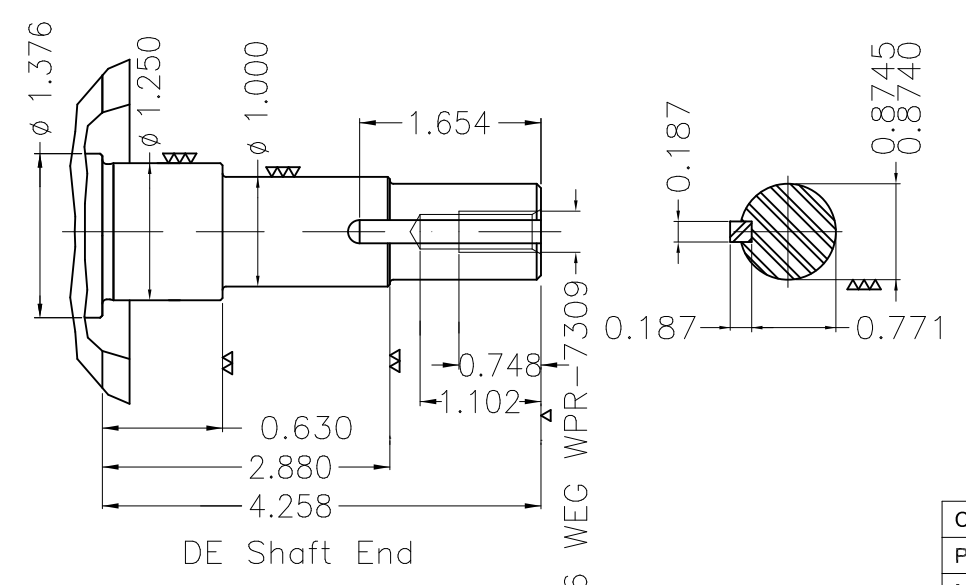
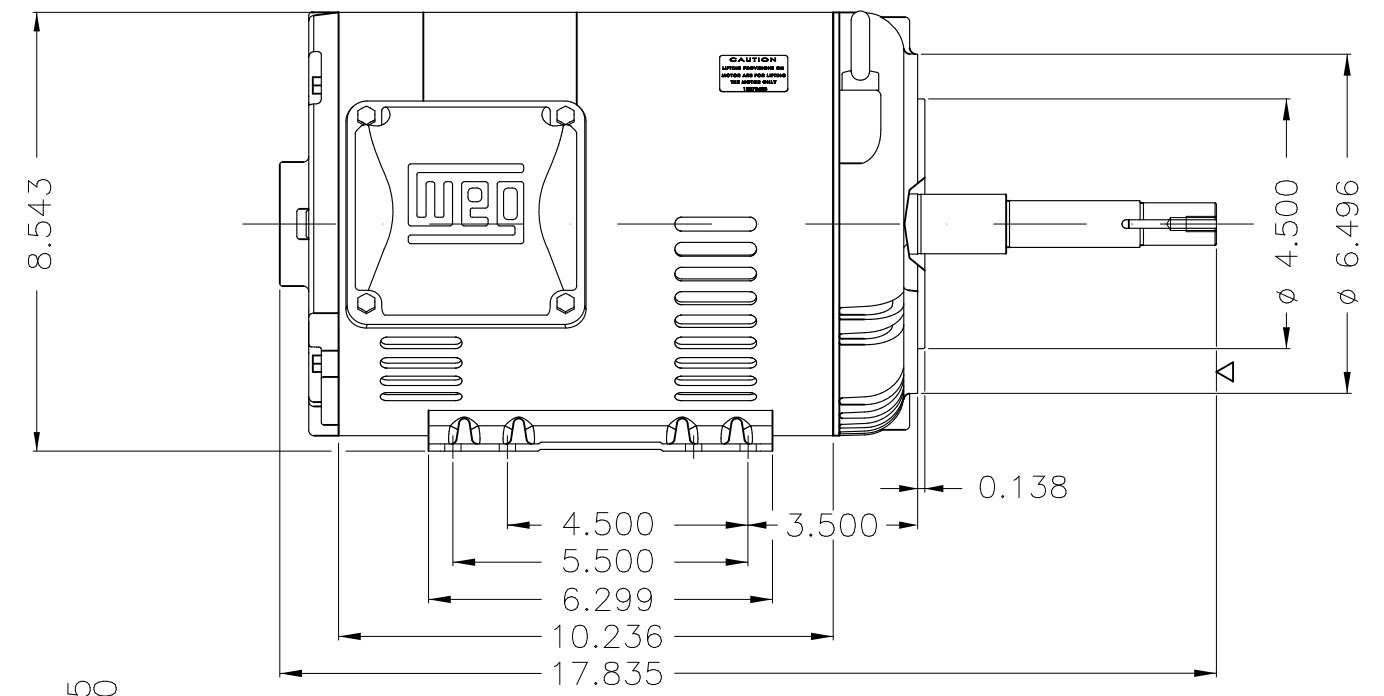
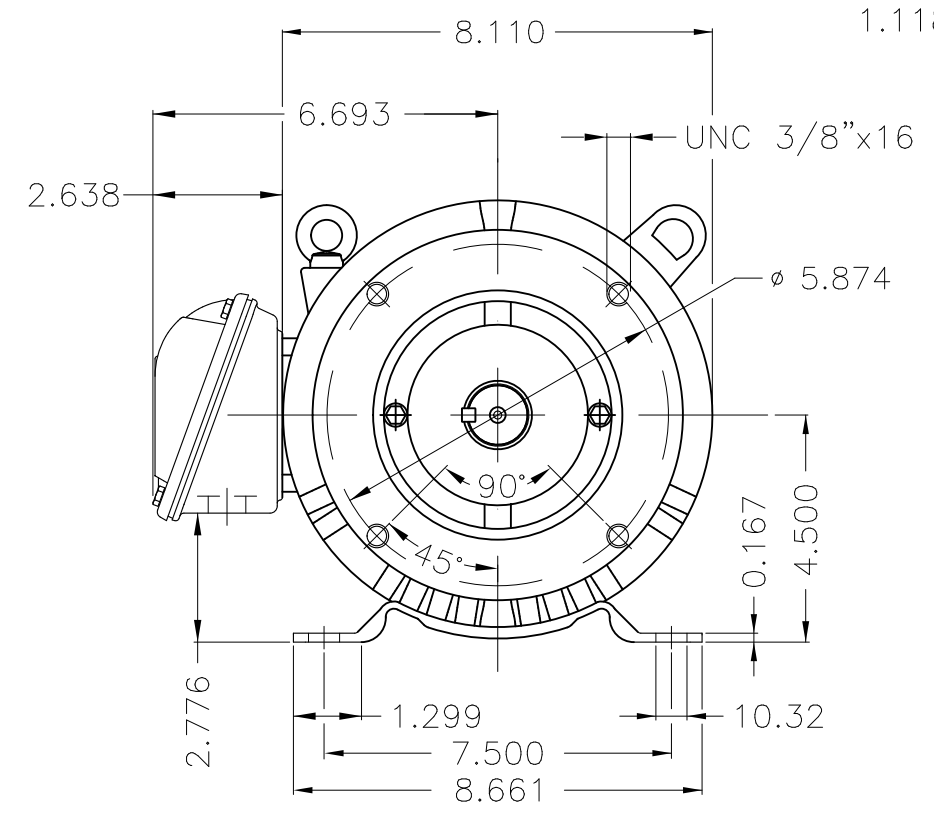
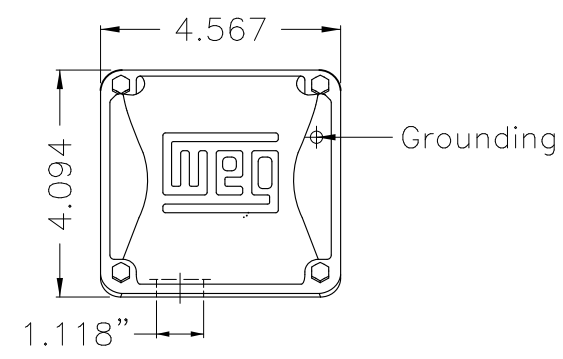
A

B

C

D

E



EUNC 3/8"-16 WEG WPR-7309

DE Shaft End

Color Munsell N 1 matte black
 Painting plan 207N
 Mounting F-1/B34R(D)

ECM	LOC	SUMMARY OF MODIFICATIONS	EXECUTED	CHECKED	RELEASED	DATE	VER
EXECUTED	PIRWBUSER	THREE PH. MOTOR ROLLED STEEL CLOSE COUPLED PUMP JN TYPE PSEF 500					
CHECKED		FRAME 182/4JM IP21 ODP					
RELEASED							
REL DT.	WMO	Jaragua do Sul	Product Engineering	WDD	SHEET	1 / 1	

5 HP 04 Poles 60 Hz



**NEMA
Premium**

MADE IN MEXICO

MAT: 12845394 CC029A

W01.T00IC0X0N

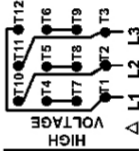
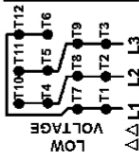
MODEL 005180T3V184JM-S

23FEB2022 S/N:

PH 3	Hz 60	HP 5.0
FR 182/4JM		KW 3.7
DUTY CONT.		V 200/400
ALT 1000 m.a.s.l		A 14.6/7.28
INS CL F AT 80K		SFA 16.8/8.37
AMB 40°C	DES B	SF 1.15
ENCL ODP	CODE J	PF 0.82
		RPM 1760
		NEMA NOM. EFF 89.5%

Inverter duty motor For use on VPWM 1000:1 VT, 5:1 CT

DE 6207-ZZ	ODE 6205-ZZ	MOBIL POLYREX EM
------------	-------------	------------------



T1-BLU T2-WHT
 T3-ORG T4-YEL
 T5-BLK T6-GRY
 T7-PNK T8-RED
 T9-BRK RED
 T10-CURRY
 T11-GRN T12-VLT

INTERCHANGE ANY TWO LINE WIRES TO REVERSE THE ROTATION



WARNING: Motor must be grounded in accordance with local and national electrical codes to prevent serious electrical shocks. Disconnect power source before servicing unit.



AVERTISSEMENT: Le moteur doit être mis à la terre

conformément aux codes électriques locaux et nationaux afin d'éviter tout

choc électrique grave. Déconnectez l'alimentation avant l'entretien de la machine.

