

DATA SHEET

Three Phase Induction Motor - Squirrel Cage



Customer					
Product line	: NEMA Premium Efficiency Three-Phase	Product code :	14602355		
		Catalog # :	00518XT3E184JP		
Frame	: 182/4TZ	Cooling method	: IC411 - TEFC		
Insulation class	: F	Mounting	: F-1		
Duty cycle	: Cont.(S1)	Rotation ¹	: Both (CW and CCW)		
Ambient temperature	: -20°C to +40°C	Starting method	: Direct On Line		
Altitude	: 1000 m.a.s.l.	Approx. weight ²	: 136 lb		
Protection degree	: IP55	Moment of inertia (J)	: 0.3695 sq.ft.lb		
Design	: B				
Output [HP]	5	5	5	5	5
Poles	4	4	4	4	4
Frequency [Hz]	60	50	50	50	50
Rated voltage [V]	230/460	380	400	415	415
Rated current [A]	13.1/6.57	7.83	7.54	7.45	7.45
L. R. Amperes [A]	93.3/46.6	47.8	51.3	53.6	53.6
LRC [A]	7.1x(Code J)	6.1x(Code G)	6.8x(Code J)	7.2x(Code J)	7.2x(Code J)
No load current [A]	6.20/3.10	3.10	3.40	3.80	3.80
Rated speed [RPM]	1750	1435	1440	1445	1445
Slip [%]	2.78	4.33	4.00	3.67	3.67
Rated torque [ft.lb]	15.0	18.3	18.2	18.2	18.2
Locked rotor torque [%]	229	210	229	250	250
Breakdown torque [%]	300	229	260	290	290
Service factor	1.15	1.00	1.00	1.00	1.00
Temperature rise	80 K	80 K	80 K	80 K	80 K
Locked rotor time	43s (cold) 24s (hot)	36s (cold) 20s (hot)	36s (cold) 20s (hot)	34s (cold) 19s (hot)	34s (cold) 19s (hot)
Noise level ²	56.0 dB(A)	56.0 dB(A)	56.0 dB(A)	56.0 dB(A)	56.0 dB(A)
Efficiency (%)	25%	85.3	85.7	85.8	85.8
	50%	86.5	86.0	86.5	86.5
	75%	88.5	86.5	87.0	87.0
	100%	89.5	86.5	87.5	87.5
Power Factor	25%	0.36	0.43	0.39	0.35
	50%	0.59	0.67	0.63	0.59
	75%	0.71	0.77	0.74	0.72
	100%	0.79	0.83	0.81	0.79
Bearing type	: Drive end : 6307 2RS Non drive end : 6206 2RS	Foundation loads			
Sealing	: Oil Seal Lip Seal	Max. traction			
Lubrication interval	: - -	Max. compression			
Lubricant amount	: - -				
Lubricant type	: Mobil Polyrex EM				
Notes USABLE @208V 14.5A SF 1.15 SFA 16.7A					
This revision replaces and cancel the previous one, which must be eliminated. (1) Looking the motor from the shaft end. (2) Measured at 1m and with tolerance of +3dB(A). (3) Approximate weight subject to changes after manufacturing process. (4) At 100% of full load.			These are average values based on tests with sinusoidal power supply, subject to the tolerances stipulated in NEMA MG-1.		
Rev.	Changes Summary		Performed	Checked	Date
Performed by					
Checked by				Page	Revision
Date	12/04/2022			1 / 22	

DATA SHEET

Three Phase Induction Motor - Squirrel Cage



Customer : _____

Thermal protection

ID	Application	Type	Quantity	Sensing Temperature
1	Winding	Thermostat - 2 wires	1 x Phase	155 °C

Rev.	Changes Summary	Performed	Checked	Date
Performed by				
Checked by			Page	Revision
Date	12/04/2022		2 / 22	

TORQUE AND CURRENT VS SPEED CURVE



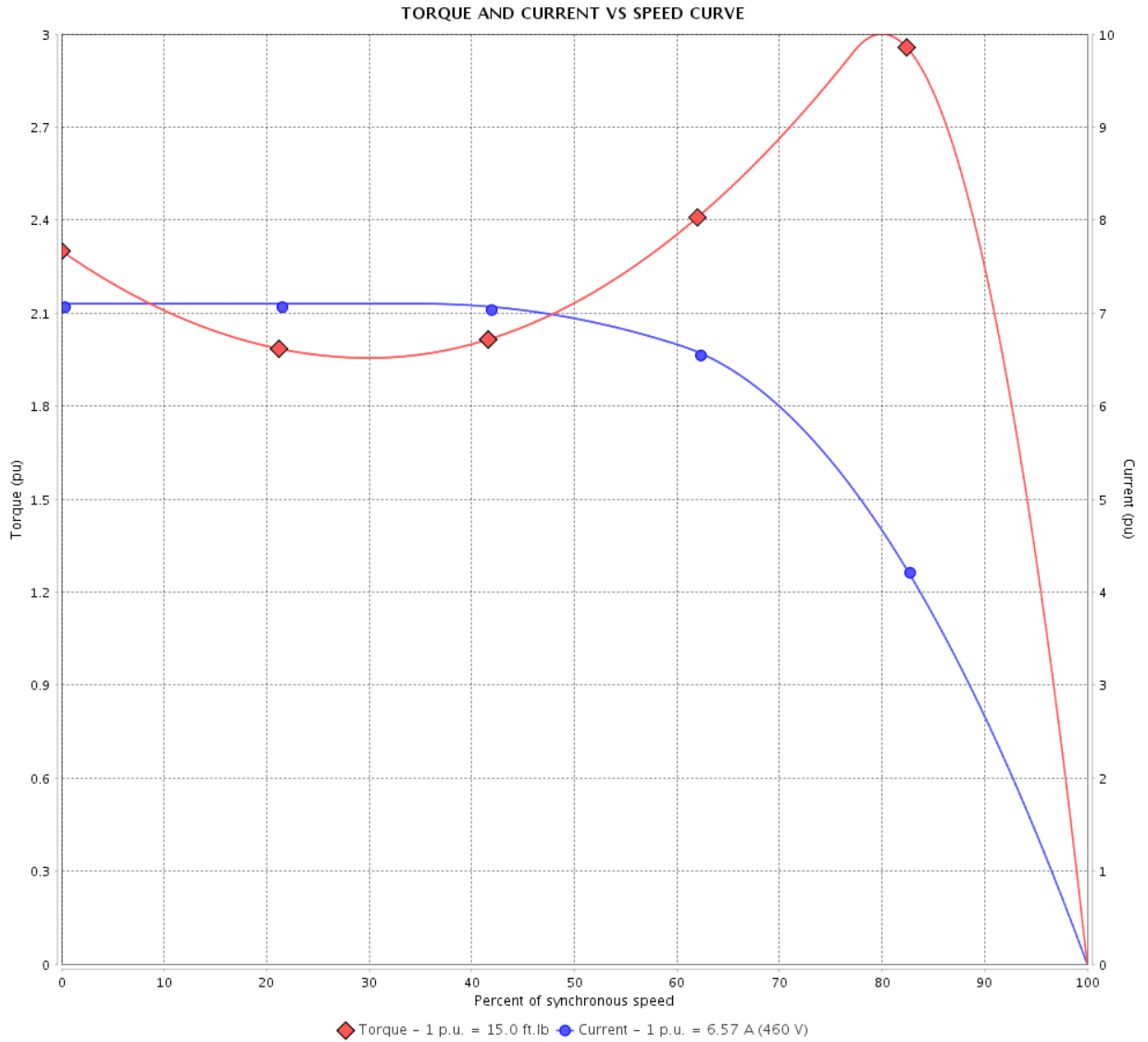
Three Phase Induction Motor - Squirrel Cage

Customer :

Product line : NEMA Premium Efficiency Three-Phase

Product code : 14602355

Catalog # : 00518XT3E184JP



Performance : 230/460 V 60 Hz 4P

Rated current : 13.1/6.57 A
 LRC : 7.1
 Rated torque : 15.0 ft.lb
 Locked rotor torque : 229 %
 Breakdown torque : 300 %
 Rated speed : 1750 rpm

Moment of inertia (J) : 0.3695 sq.ft.lb
 Duty cycle : Cont.(S1)
 Insulation class : F
 Service factor : 1.15
 Temperature rise : 80 K
 Design : B

Locked rotor time : 43s (cold) 24s (hot)

Rev.	Changes Summary	Performed	Checked	Date
Performed by		Page		Revision
Checked by		3 / 22		
Date	12/04/2022			

TORQUE AND CURRENT VS SPEED CURVE

Three Phase Induction Motor - Squirrel Cage



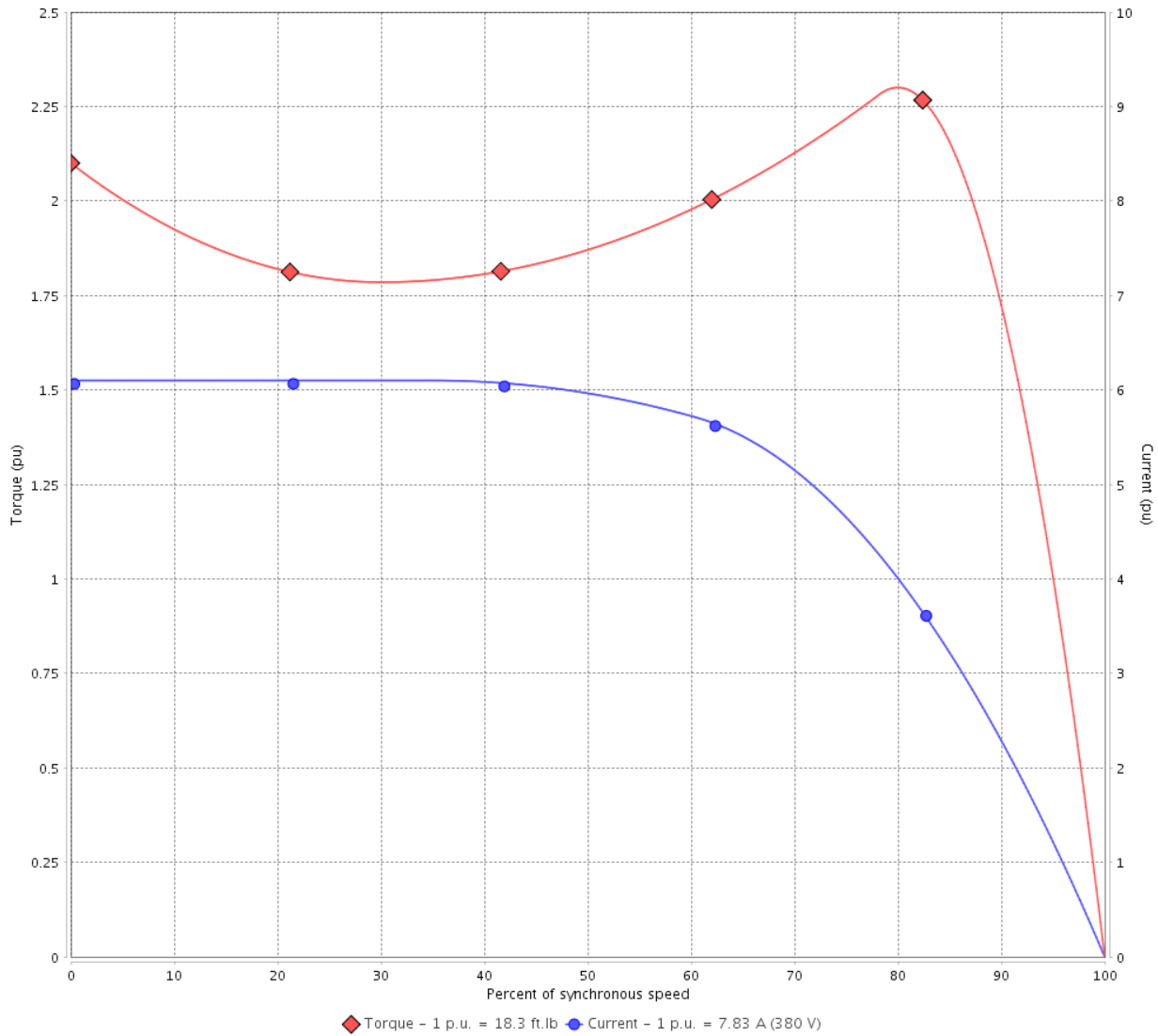
Customer :

Product line : NEMA Premium Efficiency Three-Phase

Product code : 14602355

Catalog # : 00518XT3E184JP

TORQUE AND CURRENT VS SPEED CURVE



Performance : 380 V 50 Hz 4P IE2

Rated current	: 7.83 A	Moment of inertia (J)	: 0.3695 sq.ft.lb
LRC	: 6.1	Duty cycle	: Cont.(S1)
Rated torque	: 18.3 ft.lb	Insulation class	: F
Locked rotor torque	: 210 %	Service factor	: 1.00
Breakdown torque	: 229 %	Temperature rise	: 80 K
Rated speed	: 1435 rpm	Design	: B

Locked rotor time : 36s (cold) 20s (hot)

Rev.	Changes Summary	Performed	Checked	Date
Performed by			Page 4 / 22	Revision
Checked by				
Date	12/04/2022			

TORQUE AND CURRENT VS SPEED CURVE



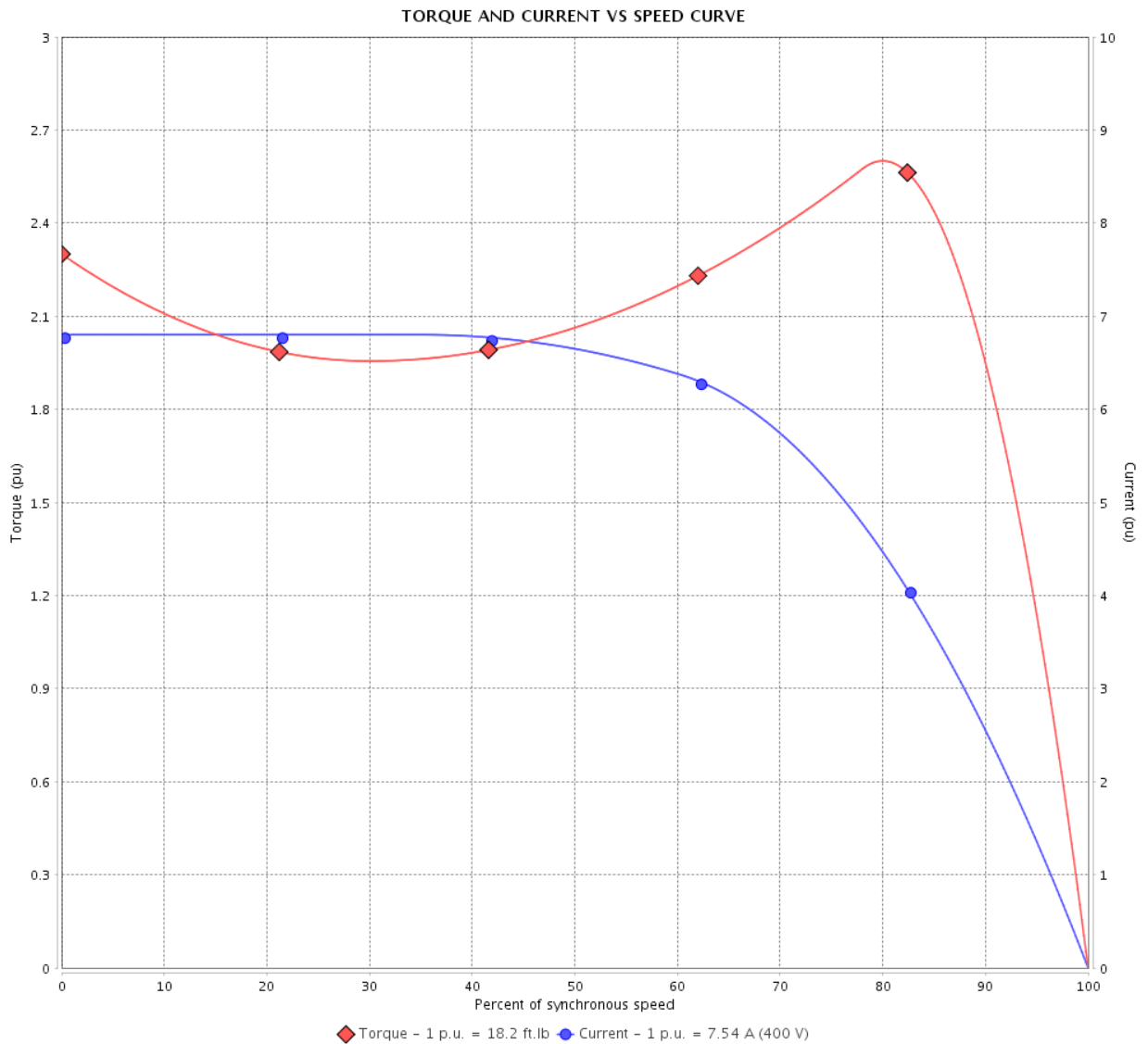
Three Phase Induction Motor - Squirrel Cage

Customer :

Product line : NEMA Premium Efficiency Three-Phase

Product code : 14602355

Catalog # : 00518XT3E184JP



Performance : 400 V 50 Hz 4P IE2

Rated current	: 7.54 A	Moment of inertia (J)	: 0.3695 sq.ft.lb
LRC	: 6.8	Duty cycle	: Cont.(S1)
Rated torque	: 18.2 ft.lb	Insulation class	: F
Locked rotor torque	: 229 %	Service factor	: 1.00
Breakdown torque	: 260 %	Temperature rise	: 80 K
Rated speed	: 1440 rpm	Design	: B

Locked rotor time : 36s (cold) 20s (hot)

Rev.	Changes Summary	Performed	Checked	Date
Performed by			Page 5 / 22	Revision
Checked by				
Date	12/04/2022			

TORQUE AND CURRENT VS SPEED CURVE

Three Phase Induction Motor - Squirrel Cage



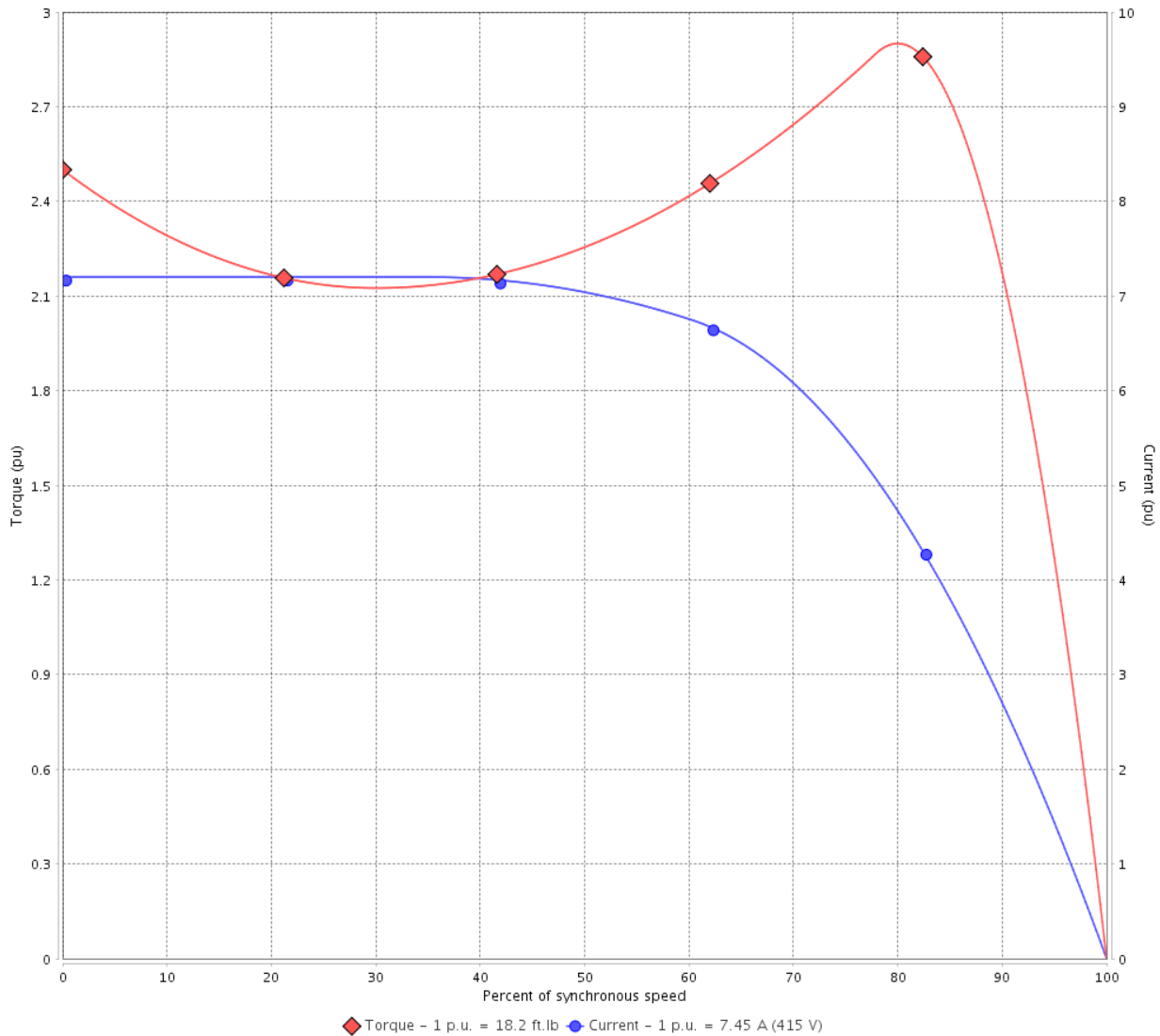
Customer :

Product line : NEMA Premium Efficiency Three-Phase

Product code : 14602355

Catalog # : 00518XT3E184JP

TORQUE AND CURRENT VS SPEED CURVE



Performance : 415 V 50 Hz 4P IE2

Rated current	: 7.45 A	Moment of inertia (J)	: 0.3695 sq.ft.lb
LRC	: 7.2	Duty cycle	: Cont.(S1)
Rated torque	: 18.2 ft.lb	Insulation class	: F
Locked rotor torque	: 250 %	Service factor	: 1.00
Breakdown torque	: 290 %	Temperature rise	: 80 K
Rated speed	: 1445 rpm	Design	: B

Locked rotor time : 34s (cold) 19s (hot)

Rev.	Changes Summary	Performed	Checked	Date
Performed by			Page 6 / 22	Revision
Checked by				
Date	12/04/2022			

LOAD PERFORMANCE CURVE

Three Phase Induction Motor - Squirrel Cage

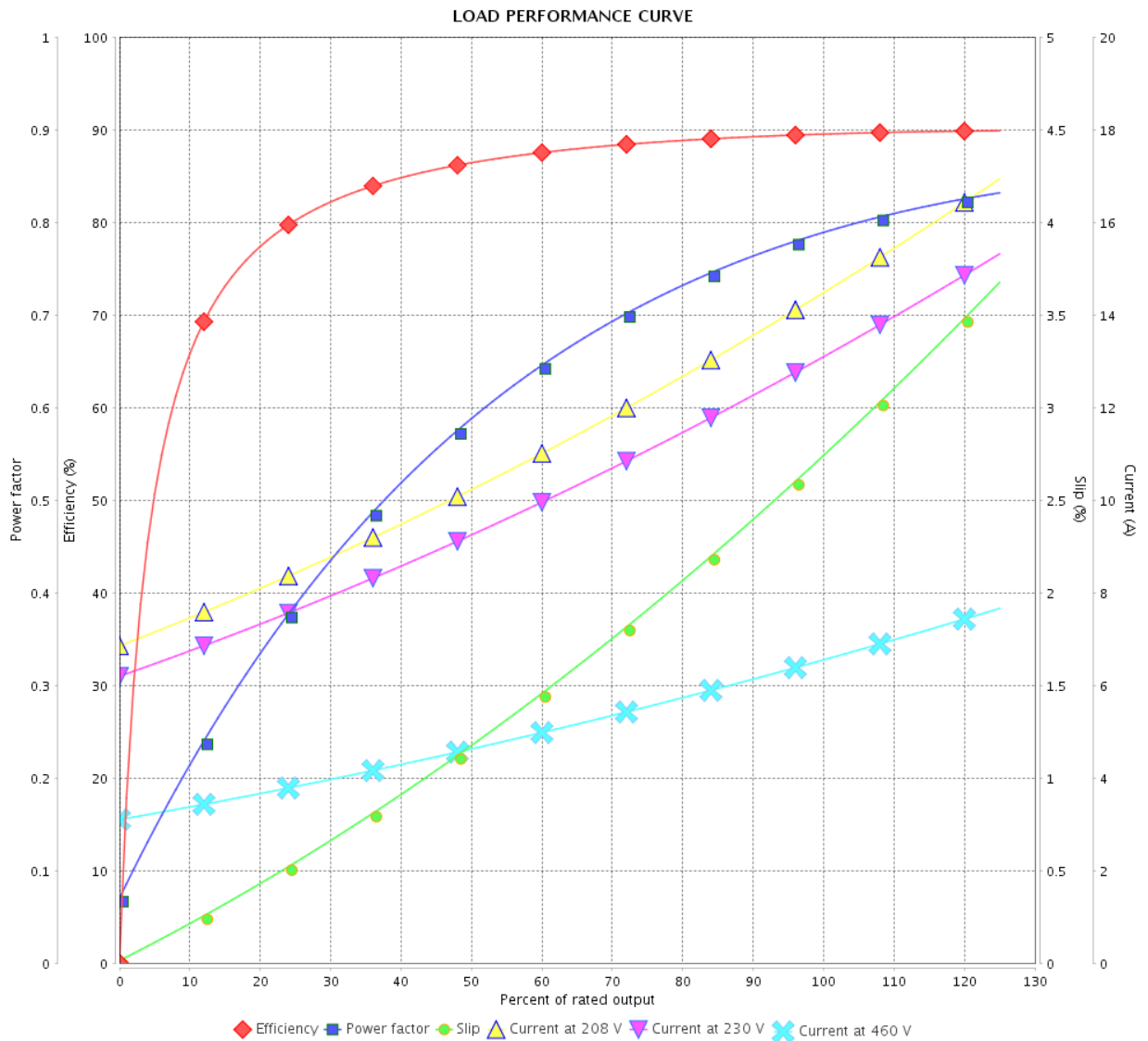


Customer : _____

Product line : NEMA Premium Efficiency Three-Phase

Product code : 14602355

Catalog # : 00518XT3E184JP



Performance : 230/460 V 60 Hz 4P

Rated current : 13.1/6.57 A
 LRC : 7.1
 Rated torque : 15.0 ft.lb
 Locked rotor torque : 229 %
 Breakdown torque : 300 %
 Rated speed : 1750 rpm

Moment of inertia (J) : 0.3695 sq.ft.lb
 Duty cycle : Cont.(S1)
 Insulation class : F
 Service factor : 1.15
 Temperature rise : 80 K
 Design : B

Rev.	Changes Summary	Performed	Checked	Date
Performed by			Page	Revision
Checked by				
Date				

LOAD PERFORMANCE CURVE

Three Phase Induction Motor - Squirrel Cage



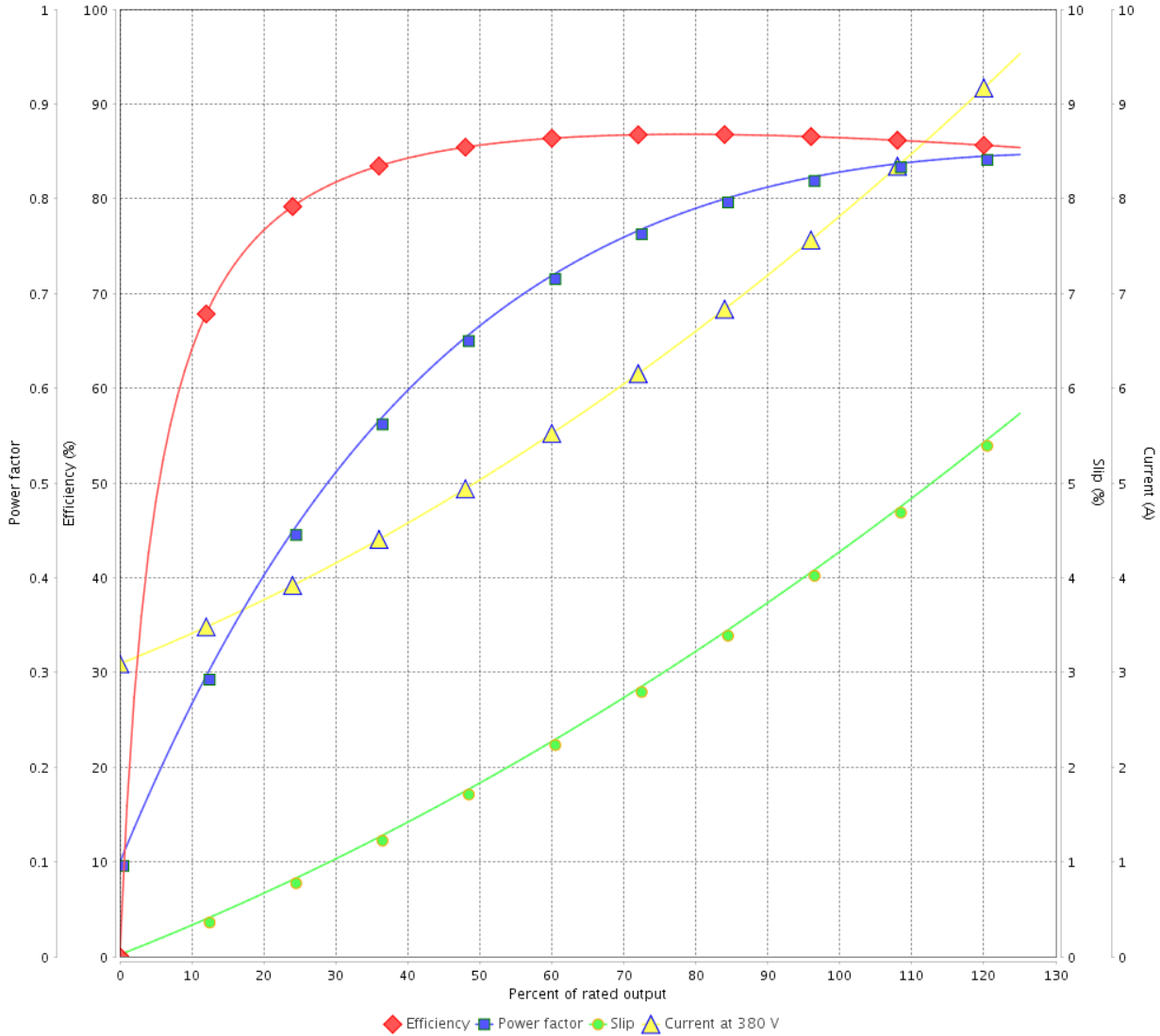
Customer :

Product line : NEMA Premium Efficiency Three-Phase

Product code : 14602355

Catalog # : 00518XT3E184JP

LOAD PERFORMANCE CURVE



Performance : 380 V 50 Hz 4P IE2

Rated current : 7.83 A
 LRC : 6.1
 Rated torque : 18.3 ft.lb
 Locked rotor torque : 210 %
 Breakdown torque : 229 %
 Rated speed : 1435 rpm

Moment of inertia (J) : 0.3695 sq.ft.lb
 Duty cycle : Cont.(S1)
 Insulation class : F
 Service factor : 1.00
 Temperature rise : 80 K
 Design : B

Rev.	Changes Summary	Performed	Checked	Date
Performed by			Page	Revision
Checked by			8 / 22	
Date	12/04/2022			

LOAD PERFORMANCE CURVE

Three Phase Induction Motor - Squirrel Cage

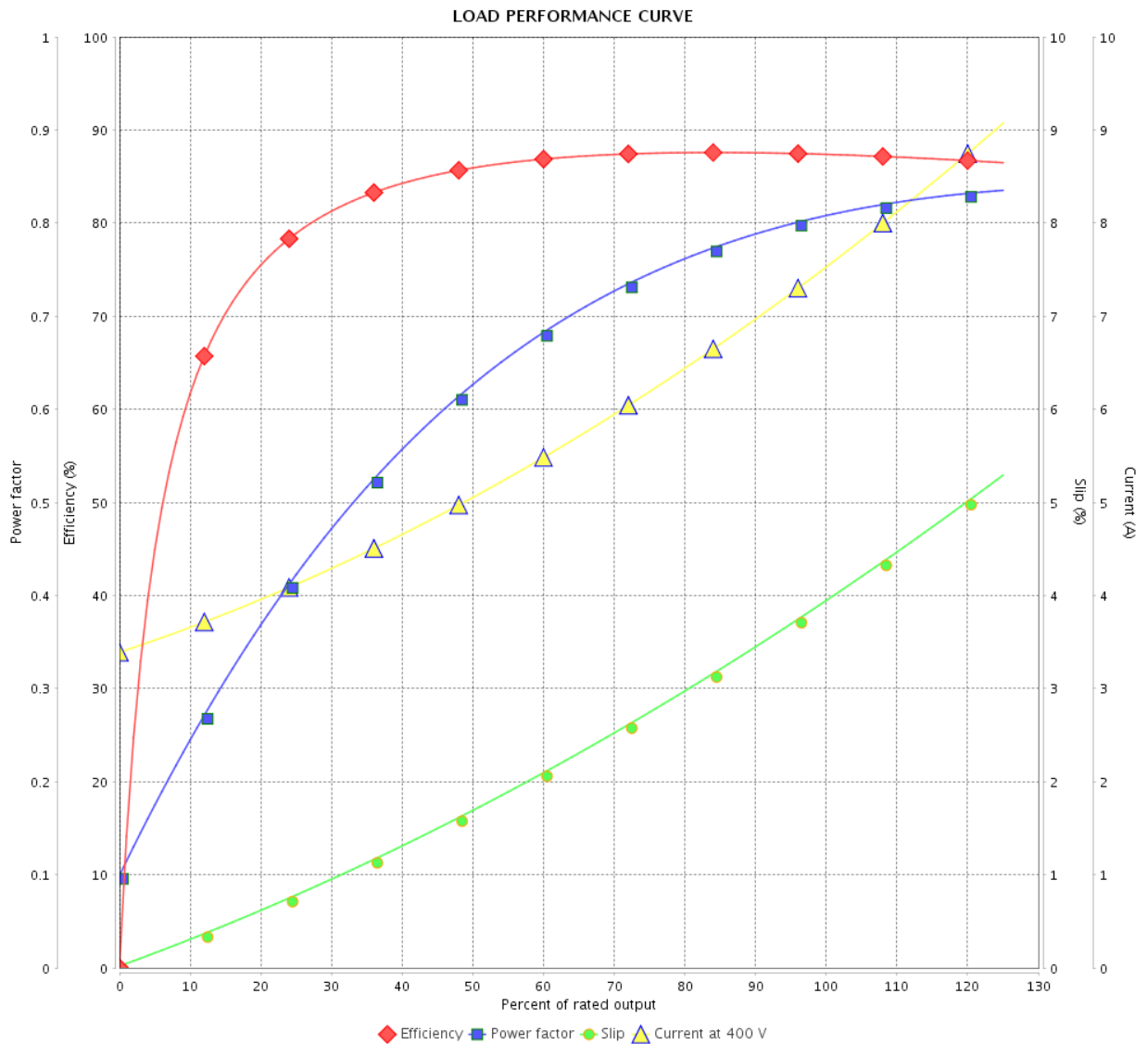


Customer : _____

Product line : NEMA Premium Efficiency Three-Phase

Product code : 14602355

Catalog # : 00518XT3E184JP



Performance : 400 V 50 Hz 4P IE2

Rated current : 7.54 A
 LRC : 6.8
 Rated torque : 18.2 ft.lb
 Locked rotor torque : 229 %
 Breakdown torque : 260 %
 Rated speed : 1440 rpm

Moment of inertia (J) : 0.3695 sq.ft.lb
 Duty cycle : Cont.(S1)
 Insulation class : F
 Service factor : 1.00
 Temperature rise : 80 K
 Design : B

Rev.	Changes Summary	Performed	Checked	Date
Performed by			Page	Revision
Checked by			9 / 22	
Date	12/04/2022			

LOAD PERFORMANCE CURVE

Three Phase Induction Motor - Squirrel Cage



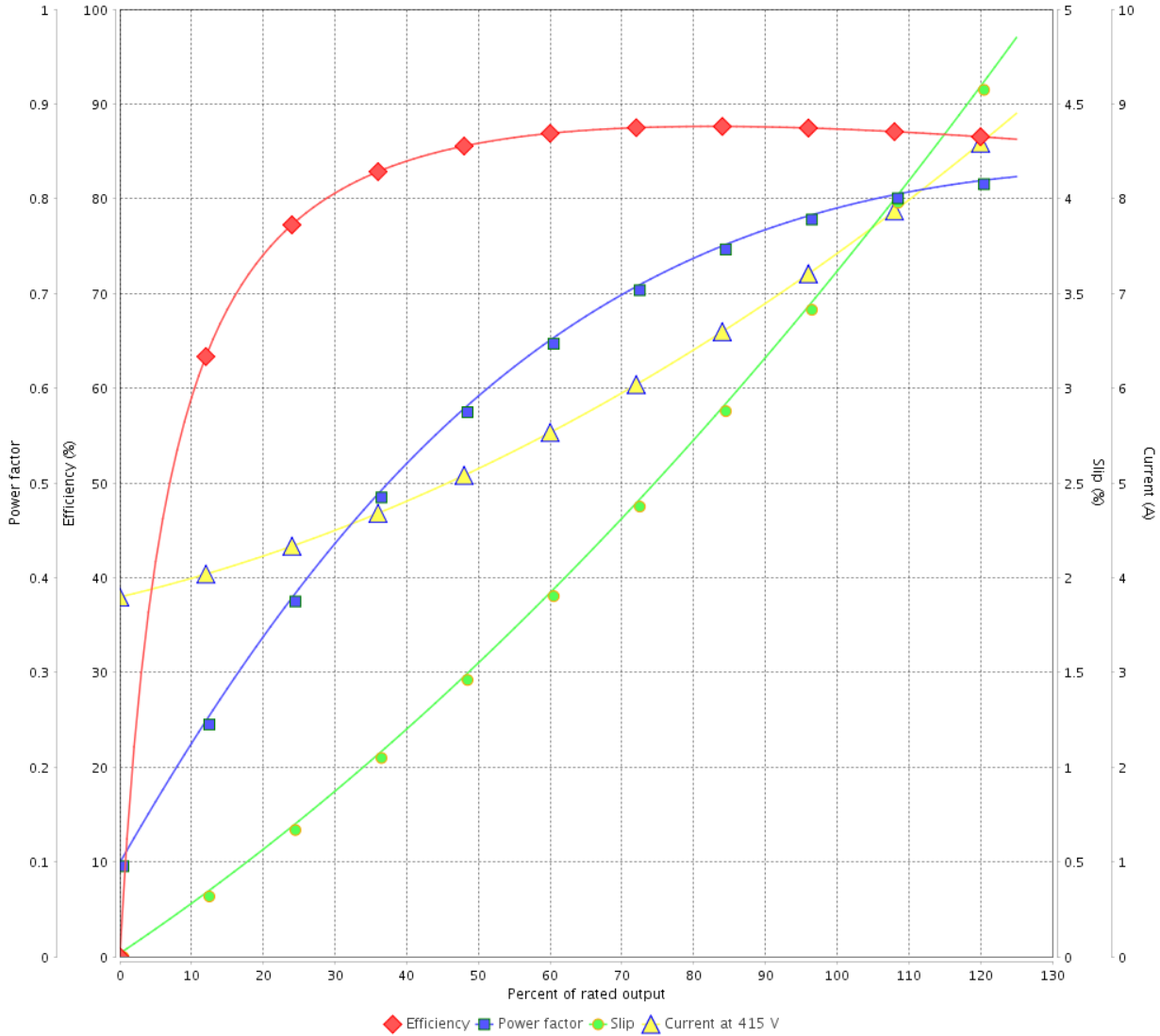
Customer :

Product line : NEMA Premium Efficiency Three-Phase

Product code : 14602355

Catalog # : 00518XT3E184JP

LOAD PERFORMANCE CURVE



Performance : 415 V 50 Hz 4P IE2

Rated current : 7.45 A
 LRC : 7.2
 Rated torque : 18.2 ft.lb
 Locked rotor torque : 250 %
 Breakdown torque : 290 %
 Rated speed : 1445 rpm

Moment of inertia (J) : 0.3695 sq.ft.lb
 Duty cycle : Cont.(S1)
 Insulation class : F
 Service factor : 1.00
 Temperature rise : 80 K
 Design : B

Rev.	Changes Summary	Performed	Checked	Date
Performed by			Page 10 / 22	Revision
Checked by				
Date	12/04/2022			

THERMAL LIMIT CURVE



Three Phase Induction Motor - Squirrel Cage

Customer :

Product line : NEMA Premium Efficiency Three-Phase
 Product code : 14602355
 Catalog # : 00518XT3E184JP

Performance : 230/460 V 60 Hz 4P

Rated current : 13.1/6.57 A	Moment of inertia (J) : 0.3695 sq.ft.lb
LRC : 7.1	Duty cycle : Cont.(S1)
Rated torque : 15.0 ft.lb	Insulation class : F
Locked rotor torque : 229 %	Service factor : 1.15
Breakdown torque : 300 %	Temperature rise : 80 K
Rated speed : 1750 rpm	Design : B

Heating constant

Cooling constant

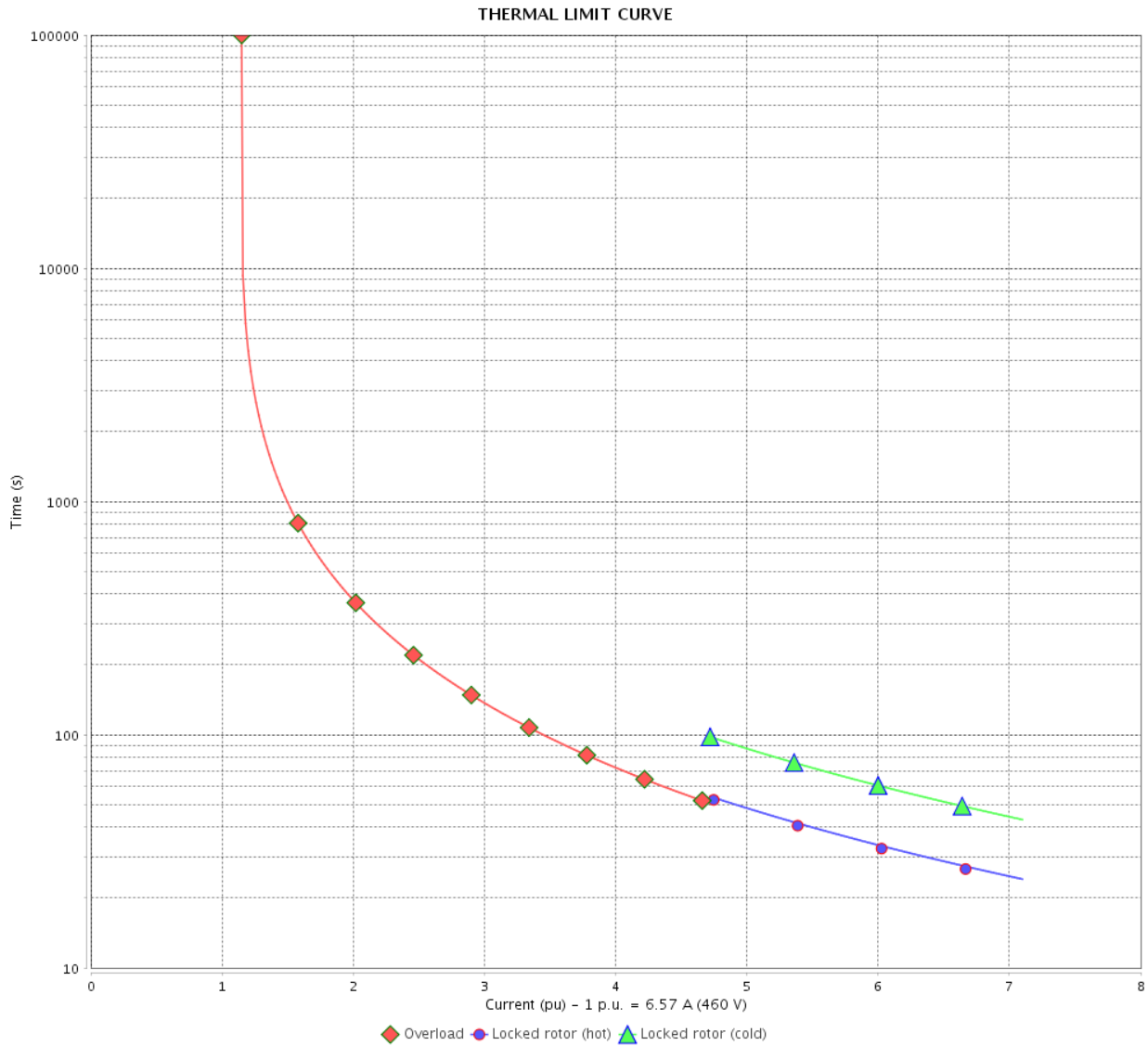
Rev.	Changes Summary	Performed	Checked	Date
Performed by			Page 11 / 22	Revision
Checked by				
Date	12/04/2022			

THERMAL LIMIT CURVE

Three Phase Induction Motor - Squirrel Cage



Customer : _____



Rev.	Changes Summary	Performed	Checked	Date
Performed by		Page 12 / 22		Revision
Checked by				
Date				

THERMAL LIMIT CURVE



Three Phase Induction Motor - Squirrel Cage

Customer :

Product line : NEMA Premium Efficiency Three-Phase
 Product code : 14602355
 Catalog # : 00518XT3E184JP

Performance : 380 V 50 Hz 4P IE2

Rated current : 7.83 A	Moment of inertia (J) : 0.3695 sq.ft.lb
LRC : 6.1	Duty cycle : Cont.(S1)
Rated torque : 18.3 ft.lb	Insulation class : F
Locked rotor torque : 210 %	Service factor : 1.00
Breakdown torque : 229 %	Temperature rise : 80 K
Rated speed : 1435 rpm	Design : B

Heating constant

Cooling constant

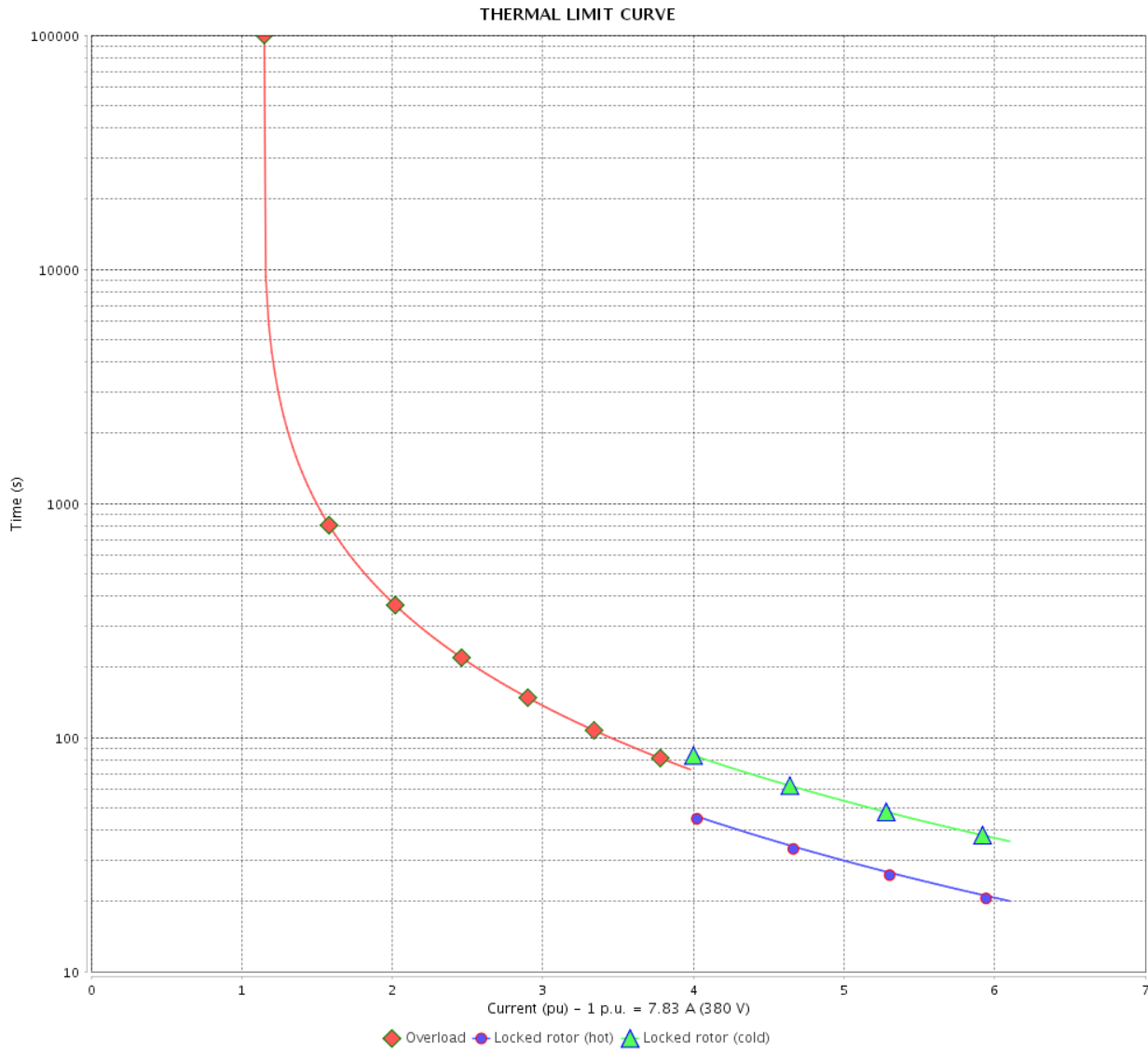
Rev.	Changes Summary	Performed	Checked	Date
Performed by			Page 13 / 22	Revision
Checked by				
Date	12/04/2022			

THERMAL LIMIT CURVE

Three Phase Induction Motor - Squirrel Cage



Customer : _____



Rev.	Changes Summary	Performed	Checked	Date
Performed by		Page		Revision
Checked by		14 / 22		
Date		12/04/2022		

THERMAL LIMIT CURVE



Three Phase Induction Motor - Squirrel Cage

Customer :

Product line : NEMA Premium Efficiency Three-Phase
 Product code : 14602355
 Catalog # : 00518XT3E184JP

Performance : 400 V 50 Hz 4P IE2

Rated current : 7.54 A	Moment of inertia (J) : 0.3695 sq.ft.lb
LRC : 6.8	Duty cycle : Cont.(S1)
Rated torque : 18.2 ft.lb	Insulation class : F
Locked rotor torque : 229 %	Service factor : 1.00
Breakdown torque : 260 %	Temperature rise : 80 K
Rated speed : 1440 rpm	Design : B

Heating constant

Cooling constant

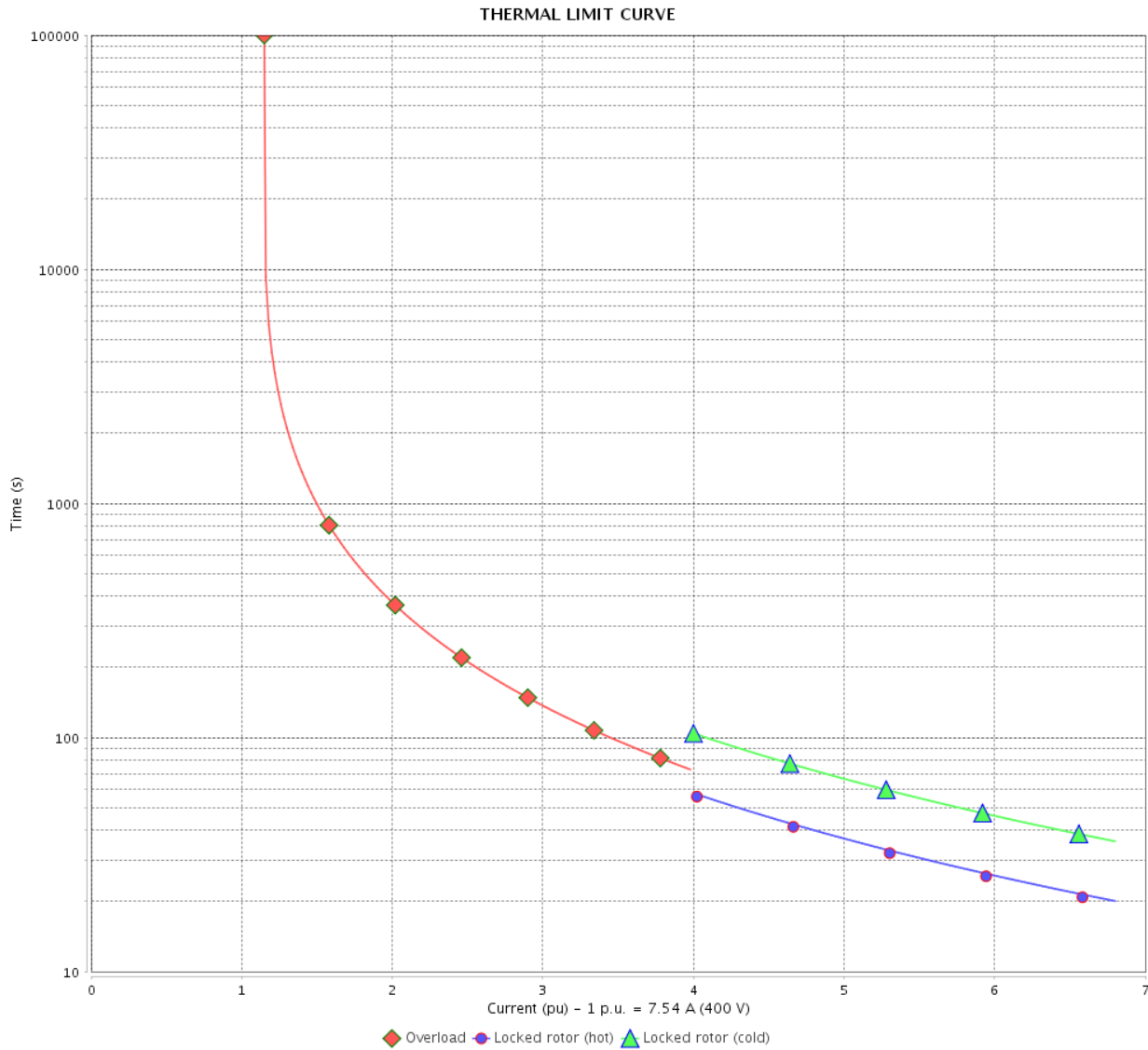
Rev.	Changes Summary	Performed	Checked	Date
Performed by			Page 15 / 22	Revision
Checked by				
Date	12/04/2022			

THERMAL LIMIT CURVE

Three Phase Induction Motor - Squirrel Cage



Customer : _____



Rev.	Changes Summary	Performed	Checked	Date
Performed by		Page		Revision
Checked by		16 / 22		
Date		12/04/2022		

THERMAL LIMIT CURVE



Three Phase Induction Motor - Squirrel Cage

Customer :

Product line : NEMA Premium Efficiency Three-Phase
 Product code : 14602355
 Catalog # : 00518XT3E184JP

Performance : 415 V 50 Hz 4P IE2

Rated current : 7.45 A	Moment of inertia (J) : 0.3695 sq.ft.lb
LRC : 7.2	Duty cycle : Cont.(S1)
Rated torque : 18.2 ft.lb	Insulation class : F
Locked rotor torque : 250 %	Service factor : 1.00
Breakdown torque : 290 %	Temperature rise : 80 K
Rated speed : 1445 rpm	Design : B

Heating constant

Cooling constant

Rev.	Changes Summary	Performed	Checked	Date
Performed by			Page 17 / 22	Revision
Checked by				
Date	12/04/2022			

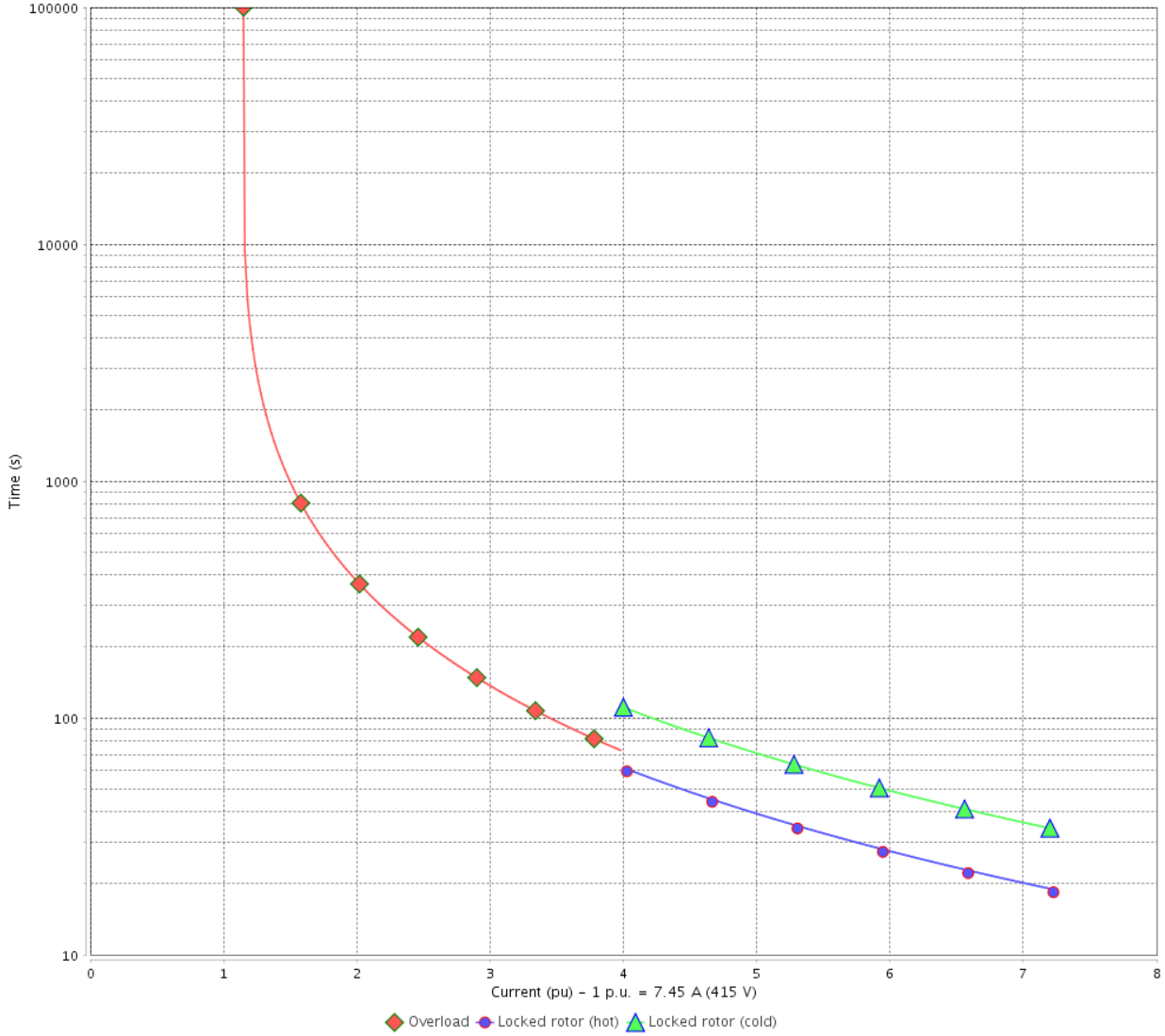
THERMAL LIMIT CURVE

Three Phase Induction Motor - Squirrel Cage



Customer : _____

THERMAL LIMIT CURVE



Rev.	Changes Summary	Performed	Checked	Date
Performed by			Page 18 / 22	Revision
Checked by				
Date	12/04/2022			

VFD OPERATION CURVE

Three Phase Induction Motor - Squirrel Cage

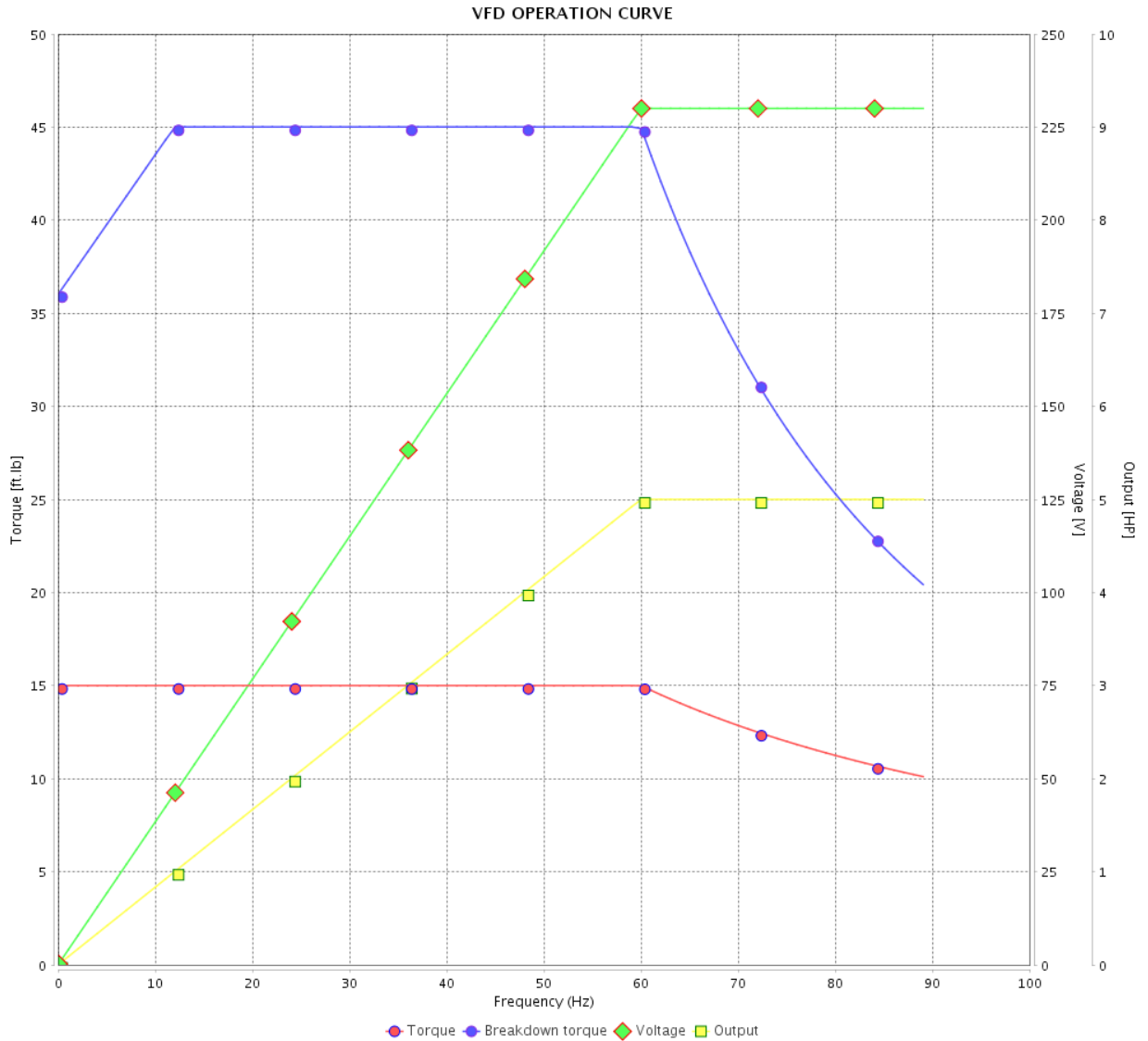


Customer :

Product line : NEMA Premium Efficiency Three-Phase

Product code : 14602355

Catalog # : 00518XT3E184JP



Performance : 230/460 V 60 Hz 4P

Rated current : 13.1/6.57 A
 LRC : 7.1
 Rated torque : 15.0 ft.lb
 Locked rotor torque : 229 %
 Breakdown torque : 300 %
 Rated speed : 1750 rpm

Moment of inertia (J) : 0.3695 sq.ft.lb
 Duty cycle : Cont.(S1)
 Insulation class : F
 Service factor : 1.15
 Temperature rise : 80 K
 Design : B

Rev.	Changes Summary	Performed	Checked	Date
Performed by				Page 19 / 22
Checked by				
Date	12/04/2022			

VFD OPERATION CURVE

Three Phase Induction Motor - Squirrel Cage



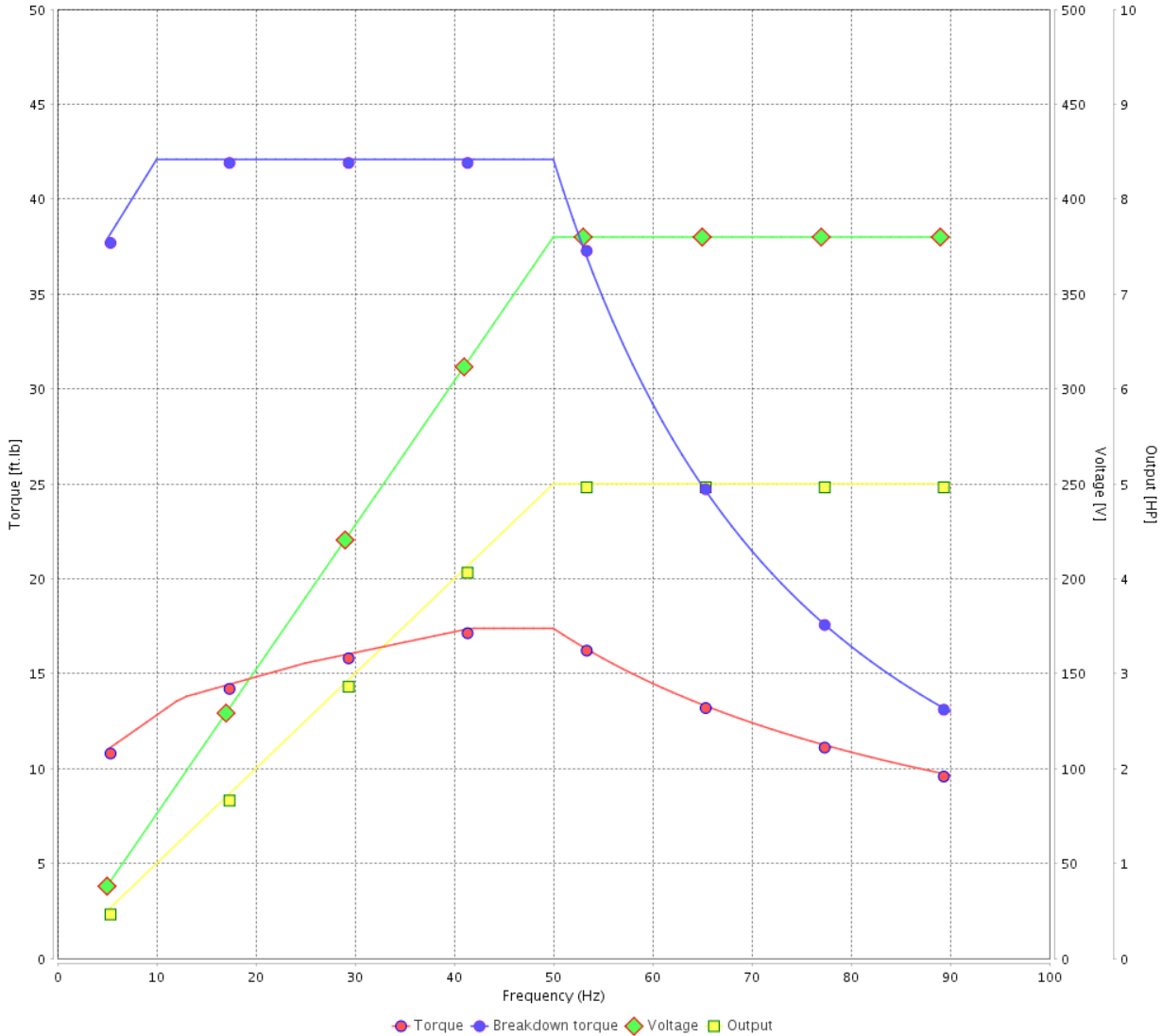
Customer : _____

Product line : NEMA Premium Efficiency Three-Phase

Product code : 14602355

Catalog # : 00518XT3E184JP

VFD OPERATION CURVE



Performance : 380 V 50 Hz 4P IE2

Rated current : 7.83 A
 LRC : 6.1
 Rated torque : 18.3 ft.lb
 Locked rotor torque : 210 %
 Breakdown torque : 229 %
 Rated speed : 1435 rpm

Moment of inertia (J) : 0.3695 sq.ft.lb
 Duty cycle : Cont.(S1)
 Insulation class : F
 Service factor : 1.00
 Temperature rise : 80 K
 Design : B

Rev.	Changes Summary	Performed	Checked	Date
Performed by			Page 20 / 22	Revision
Checked by				
Date	12/04/2022			

VFD OPERATION CURVE

Three Phase Induction Motor - Squirrel Cage

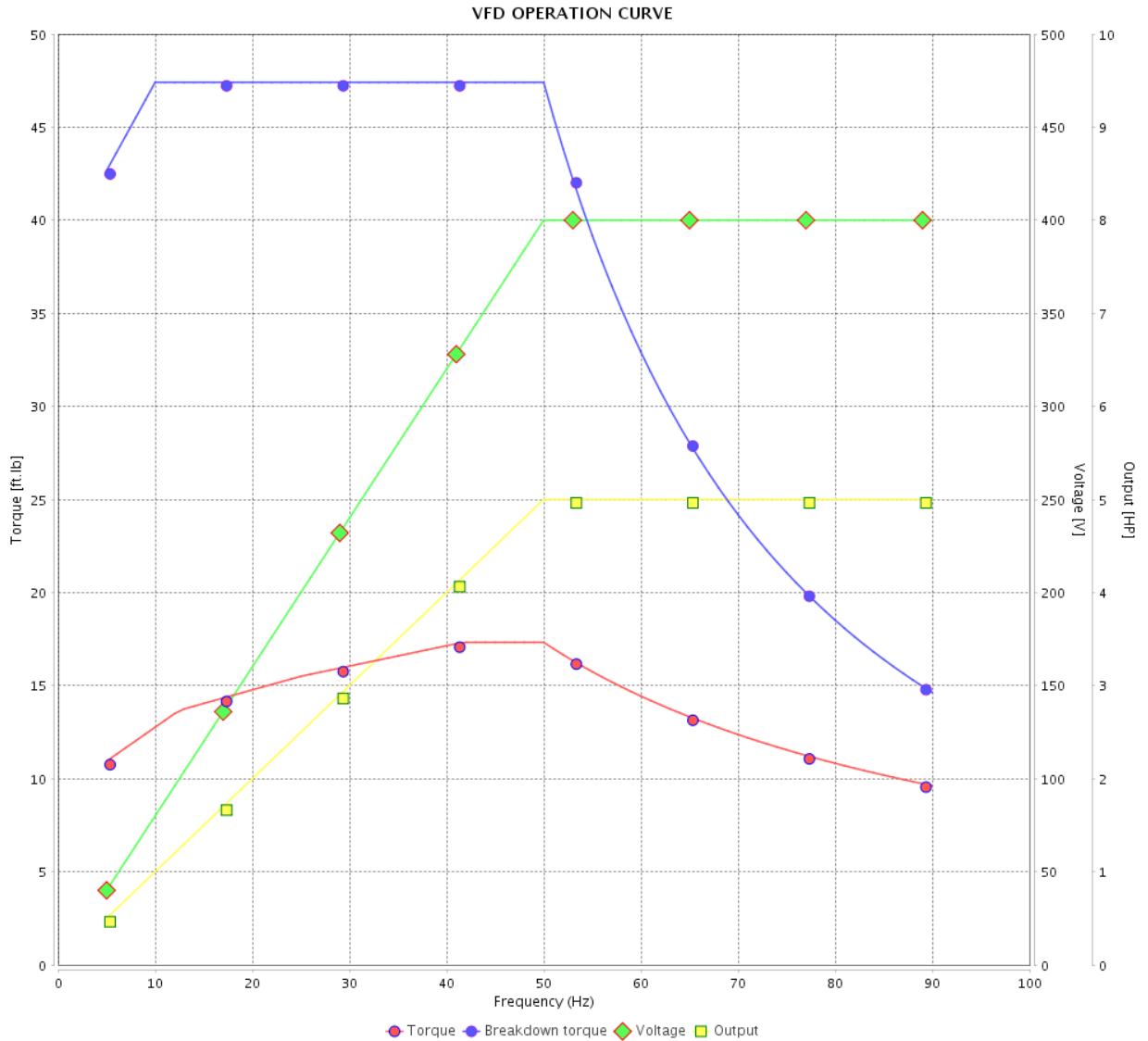


Customer : _____

Product line : NEMA Premium Efficiency Three-Phase

Product code : 14602355

Catalog # : 00518XT3E184JP



Performance : 400 V 50 Hz 4P IE2

Rated current : 7.54 A
 LRC : 6.8
 Rated torque : 18.2 ft.lb
 Locked rotor torque : 229 %
 Breakdown torque : 260 %
 Rated speed : 1440 rpm

Moment of inertia (J) : 0.3695 sq.ft.lb
 Duty cycle : Cont.(S1)
 Insulation class : F
 Service factor : 1.00
 Temperature rise : 80 K
 Design : B

Rev.	Changes Summary	Performed	Checked	Date
Performed by		Page		Revision
Checked by		21 / 22		
Date		12/04/2022		

VFD OPERATION CURVE

Three Phase Induction Motor - Squirrel Cage



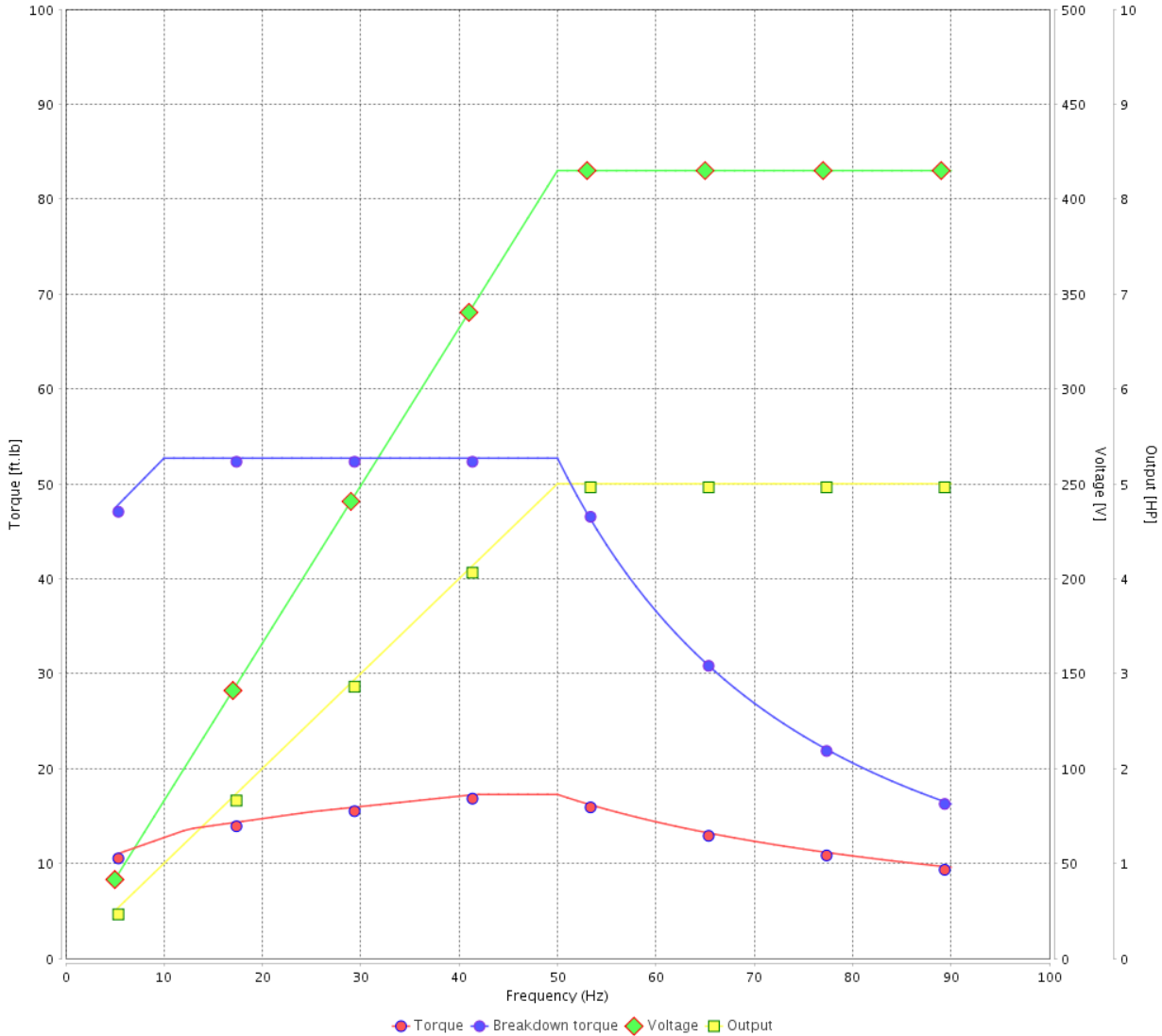
Customer :

Product line : NEMA Premium Efficiency Three-Phase

Product code : 14602355

Catalog # : 00518XT3E184JP

VFD OPERATION CURVE



Performance : 415 V 50 Hz 4P IE2

Rated current : 7.45 A
 LRC : 7.2
 Rated torque : 18.2 ft.lb
 Locked rotor torque : 250 %
 Breakdown torque : 290 %
 Rated speed : 1445 rpm

Moment of inertia (J) : 0.3695 sq.ft.lb
 Duty cycle : Cont.(S1)
 Insulation class : F
 Service factor : 1.00
 Temperature rise : 80 K
 Design : B

Rev.	Changes Summary	Performed	Checked	Date
Performed by			Page 22 / 22	Revision
Checked by				
Date	12/04/2022			

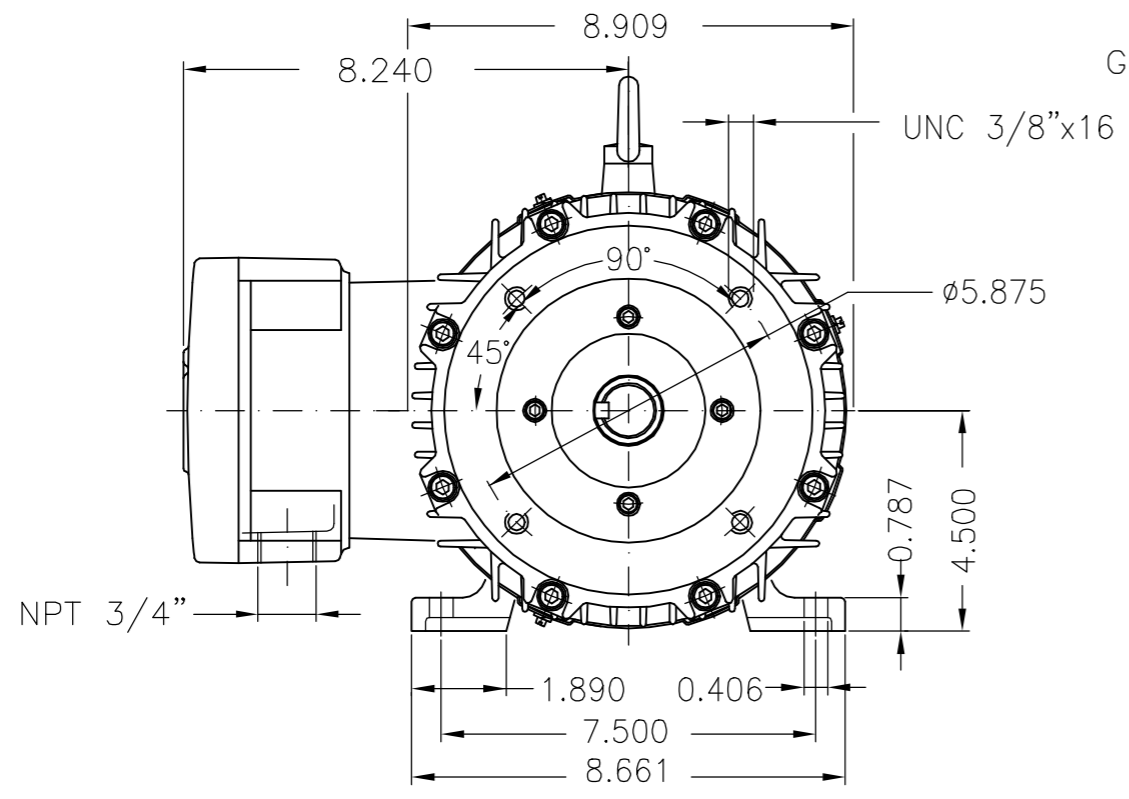
EIXO/SHAFT	
PADRÃO/STANDARD	
OPCIONAL/OPTIONAL	
ESPECIAL/SPECIAL	X

Dimensões em polegada
Dimensions in inches

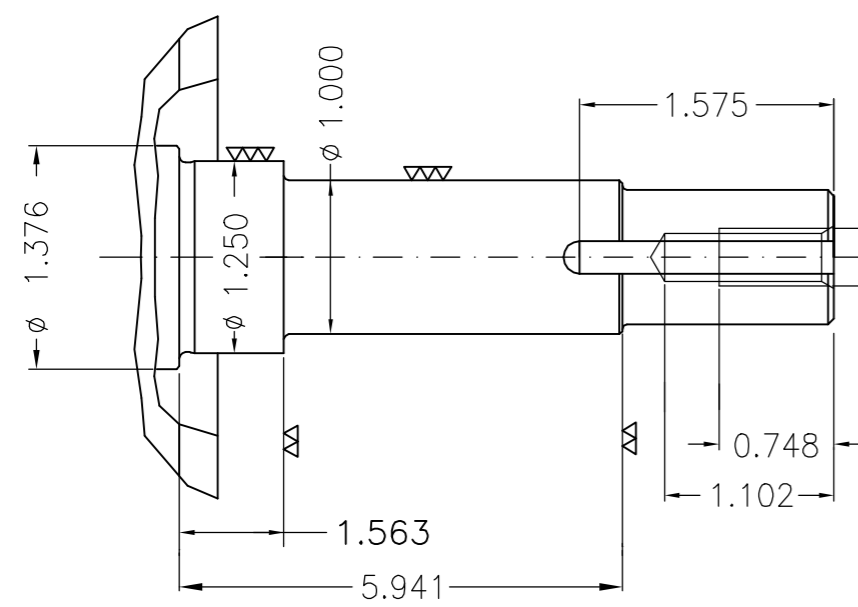
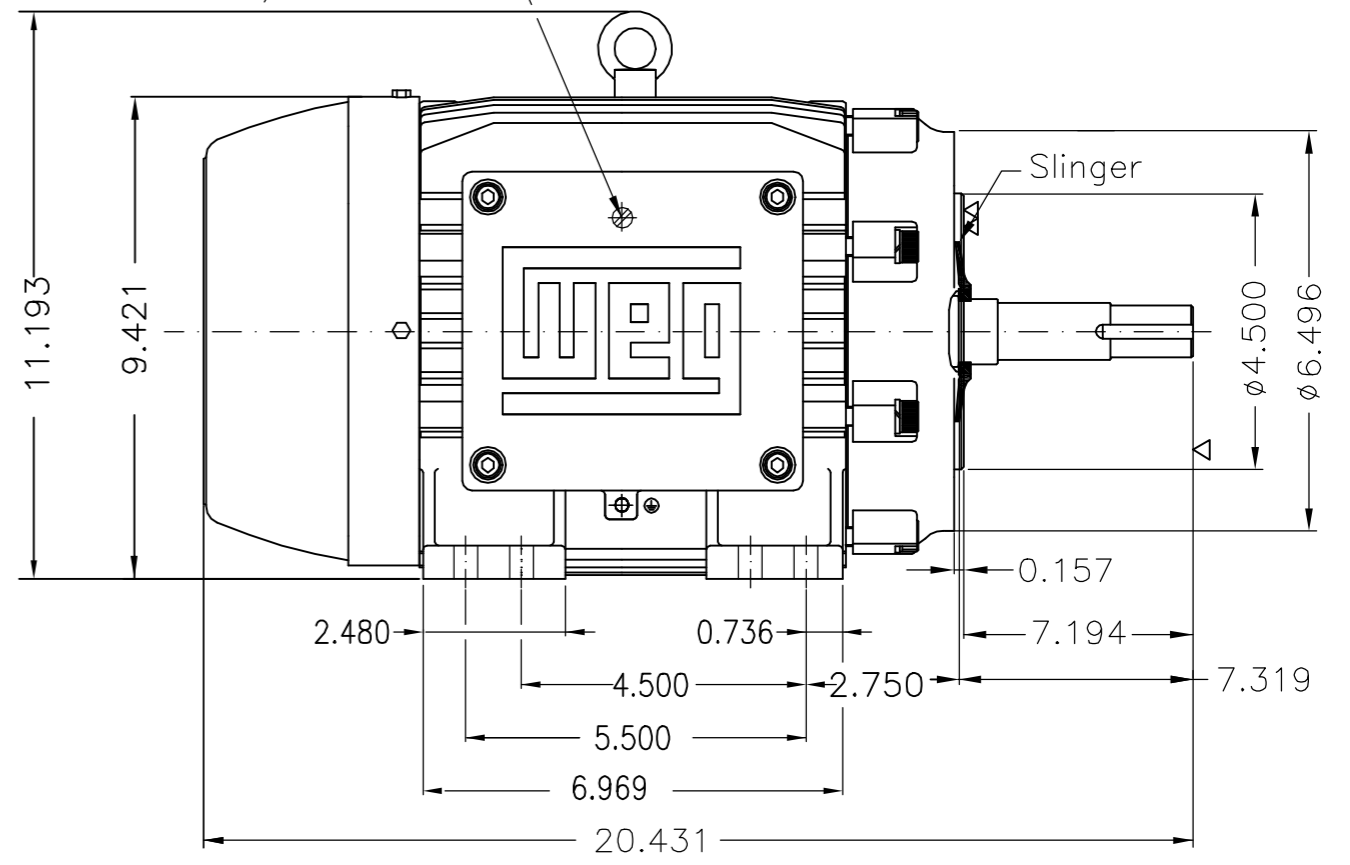
CERTIFIED WEG MOTORES
Certified document.
Not subject to changes.

THIS IS AN UPDATED REVISION, THE PREVIOUS ONE MUST BE DISREGARDED.

A
B
C
D
E

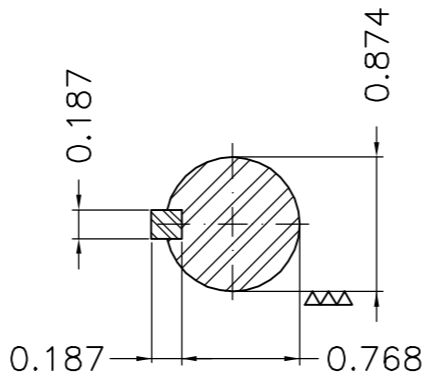


Grounding for leads 2-10 mm² / 14-7 AWG



DE Shaft End

EUNC 3/8"-16 WEG TBG253



Tampa flangeada especial / Special flanged endshield						
Ponta de eixo JP / JP shaft end						
Cor RAL 5009 / Color RAL 5009						
Plano de pintura 202P / Painting plan 202P						
Forma construtiva NEMA F-1 / Mounting NEMA F-1						
Forma construtiva B34D / Mounting B34R(D)						
WEG ELECTRIC CORPORATION - WEG						

500001594952		ALTERADO CONF. CLAIM 415204042	RICLAV	DALTONR	DALTONR	23.05.2019	01
500001503159		DOCUMENTO NOVO	NSCHMIDT	DVEGINI	DVEGINI	19.09.2018	00
ECM	LOC	SUMMARY OF MODIFICATIONS	EXECUTED	CHECKED	RELEASED	DATE	VER
EXECUTED	NSCHMIDT	THREE-PHASE EXPLOSION PROOF MOTOR FRAME 182/4TZ IP55 TEFC	10006063549				
CHECKED	DVEGINI		000	01			
RELEASED	DVEGINI						
REL DT	19.09.2018	WMO	Jaragua do Sul	Product Engineering	SHEET	1 / 1	

5 HP 04 Poles 60Hz 415200877/0

A

UNCONTROLLED COPY RELEASED ZME A3

MADE IN BRAZIL

**W21X NEMA**
Premium

14602355



LISTED

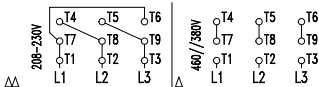
CC029A

Inverter Duty Motor
Severe Duty

MODEL 00518XT3E184JP

PH 3	FR 182/4TZ		
HP(kW) 5.0(3.7)		HZ 60	IP55
V 230/460		A 13.1/6.57	
RPM 1750		NEMA NOM EFF 89.5%	
PF 0.79		SFA 15.1/7.56	DES B
INS CL F Δ T 80 K		SF 1.15	ENCL TEFC
DUTY CONT.		CODE J	ALT 1000 m.a.s.l.
AMB 40°C	USABLE @208V	14.5 A	SF 1.15 SFA 16.7

5.0HP 3.7kW 50Hz 380V 7.83A 1435RPM SF1.00 EFF 86.5% (IE2)



→ 6307-2RS MOBIL POLYREX EM

→ 6206-2RS

137 Lbs



TEMP CODE T3C

CSA/UL: Class I - Div. 1 - Groups C and D

CSA: Class II - Div. 1 - Groups F and G

CSA: Class I - Zone 1 - IIB

EXPLOSION PROOF MOTOR

FOR USE ON VPWM VFD 1000:1VT, 20:1CT, 1.0SF, T3C, AMB 40°C.