

DATA SHEET



Three Phase Induction Motor - Squirrel Cage

Customer :																
Product line : NEMA Premium Efficiency Three-Phase	Product code : 14602357															
	Catalog # : 00518XT3H184JP															
Frame : 182/4TZ Output : 5 HP (3.7 kW) Poles : 4 Frequency : 60 Hz Rated voltage : 575 V Rated current : 5.26 A L. R. Amperes : 37.3 A LRC : 7.1x(Code J) No load current : 2.48 A Rated speed : 1750 rpm Slip : 2.78 % Rated torque : 15.0 ft.lb Locked rotor torque : 229 % Breakdown torque : 300 % Insulation class : F Service factor : 1.15 Moment of inertia (J) : 0.3695 sq.ft.lb Design : B	Locked rotor time : 43s (cold) 24s (hot) Temperature rise : 80 K Duty cycle : Cont.(S1) Ambient temperature : -20°C to +40°C Altitude : 1000 m.a.s.l. Protection degree : IP55 Cooling method : IC411 - TEFC Mounting : F-1 Rotation ¹ : Both (CW and CCW) Noise level ² : 56.0 dB(A) Starting method : Direct On Line Approx. weight ³ : 135 lb															
<table border="1" style="width: 100%; border-collapse: collapse;"> <tr> <td>Output</td> <td>25%</td> <td>50%</td> <td>75%</td> <td>100%</td> </tr> <tr> <td>Efficiency (%)</td> <td>85.3</td> <td>86.5</td> <td>88.5</td> <td>89.5</td> </tr> <tr> <td>Power Factor</td> <td>0.36</td> <td>0.59</td> <td>0.71</td> <td>0.79</td> </tr> </table>	Output	25%	50%	75%	100%	Efficiency (%)	85.3	86.5	88.5	89.5	Power Factor	0.36	0.59	0.71	0.79	Foundation loads Max. traction Max. compression
Output	25%	50%	75%	100%												
Efficiency (%)	85.3	86.5	88.5	89.5												
Power Factor	0.36	0.59	0.71	0.79												
Bearing type : Sealing : Lubrication interval : Lubricant amount : Lubricant type :	<table style="width: 100%; border-collapse: collapse;"> <tr> <td style="text-align: center;"><u>Drive end</u></td> <td style="text-align: center;"><u>Non drive end</u></td> </tr> <tr> <td style="text-align: center;">6307 2RS</td> <td style="text-align: center;">6206 2RS</td> </tr> <tr> <td style="text-align: center;">Oil Seal</td> <td style="text-align: center;">Lip Seal</td> </tr> <tr> <td style="text-align: center;">-</td> <td style="text-align: center;">-</td> </tr> <tr> <td style="text-align: center;">-</td> <td style="text-align: center;">-</td> </tr> <tr> <td colspan="2" style="text-align: center;">Mobil Polyrex EM</td> </tr> </table>	<u>Drive end</u>	<u>Non drive end</u>	6307 2RS	6206 2RS	Oil Seal	Lip Seal	-	-	-	-	Mobil Polyrex EM				
<u>Drive end</u>	<u>Non drive end</u>															
6307 2RS	6206 2RS															
Oil Seal	Lip Seal															
-	-															
-	-															
Mobil Polyrex EM																
Notes																
This revision replaces and cancel the previous one, which must be eliminated. (1) Looking the motor from the shaft end. (2) Measured at 1m and with tolerance of +3dB(A). (3) Approximate weight subject to changes after manufacturing process. (4) At 100% of full load.	These are average values based on tests with sinusoidal power supply, subject to the tolerances stipulated in NEMA MG-1.															
Rev.	Changes Summary	Performed	Checked	Date												
Performed by																
Checked by			Page	Revision												
Date	12/04/2022		1 / 7													

DATA SHEET

Three Phase Induction Motor - Squirrel Cage



Customer : _____

Thermal protection

ID	Application	Type	Quantity	Sensing Temperature
1	Winding	Thermostat - 2 wires	1 x Phase	155 °C

Rev.	Changes Summary	Performed	Checked	Date
Performed by				
Checked by			Page	Revision
Date	12/04/2022		2 / 7	

TORQUE AND CURRENT VS SPEED CURVE



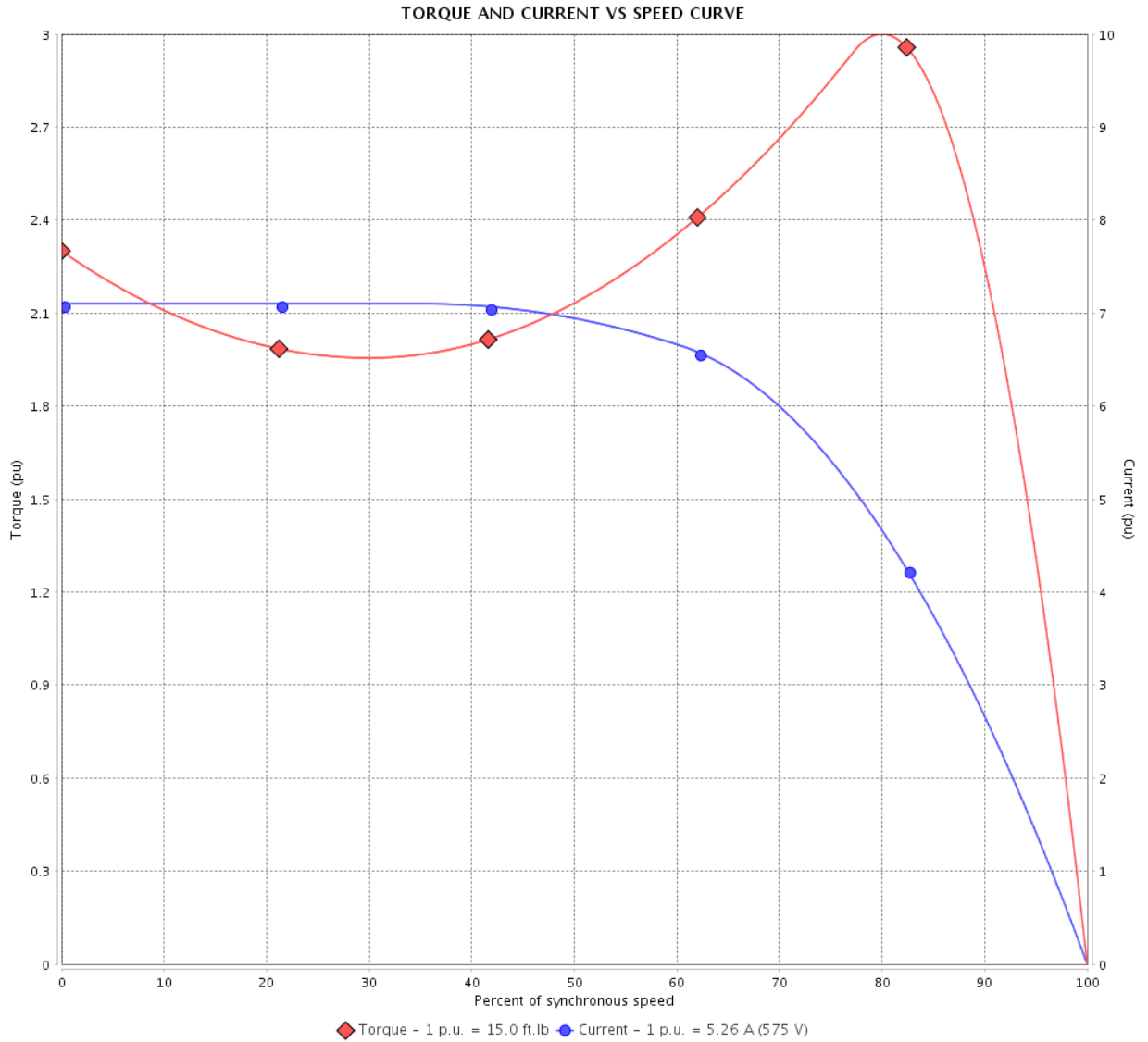
Three Phase Induction Motor - Squirrel Cage

Customer :

Product line : NEMA Premium Efficiency Three-Phase

Product code : 14602357

Catalog # : 00518XT3H184JP



Performance : 575 V 60 Hz 4P

Rated current	: 5.26 A	Moment of inertia (J)	: 0.3695 sq.ft.lb
LRC	: 7.1	Duty cycle	: Cont.(S1)
Rated torque	: 15.0 ft.lb	Insulation class	: F
Locked rotor torque	: 229 %	Service factor	: 1.15
Breakdown torque	: 300 %	Temperature rise	: 80 K
Rated speed	: 1750 rpm	Design	: B

Locked rotor time : 43s (cold) 24s (hot)

Rev.	Changes Summary	Performed	Checked	Date
Performed by			Page 3 / 7	Revision
Checked by				
Date	12/04/2022			

LOAD PERFORMANCE CURVE

Three Phase Induction Motor - Squirrel Cage



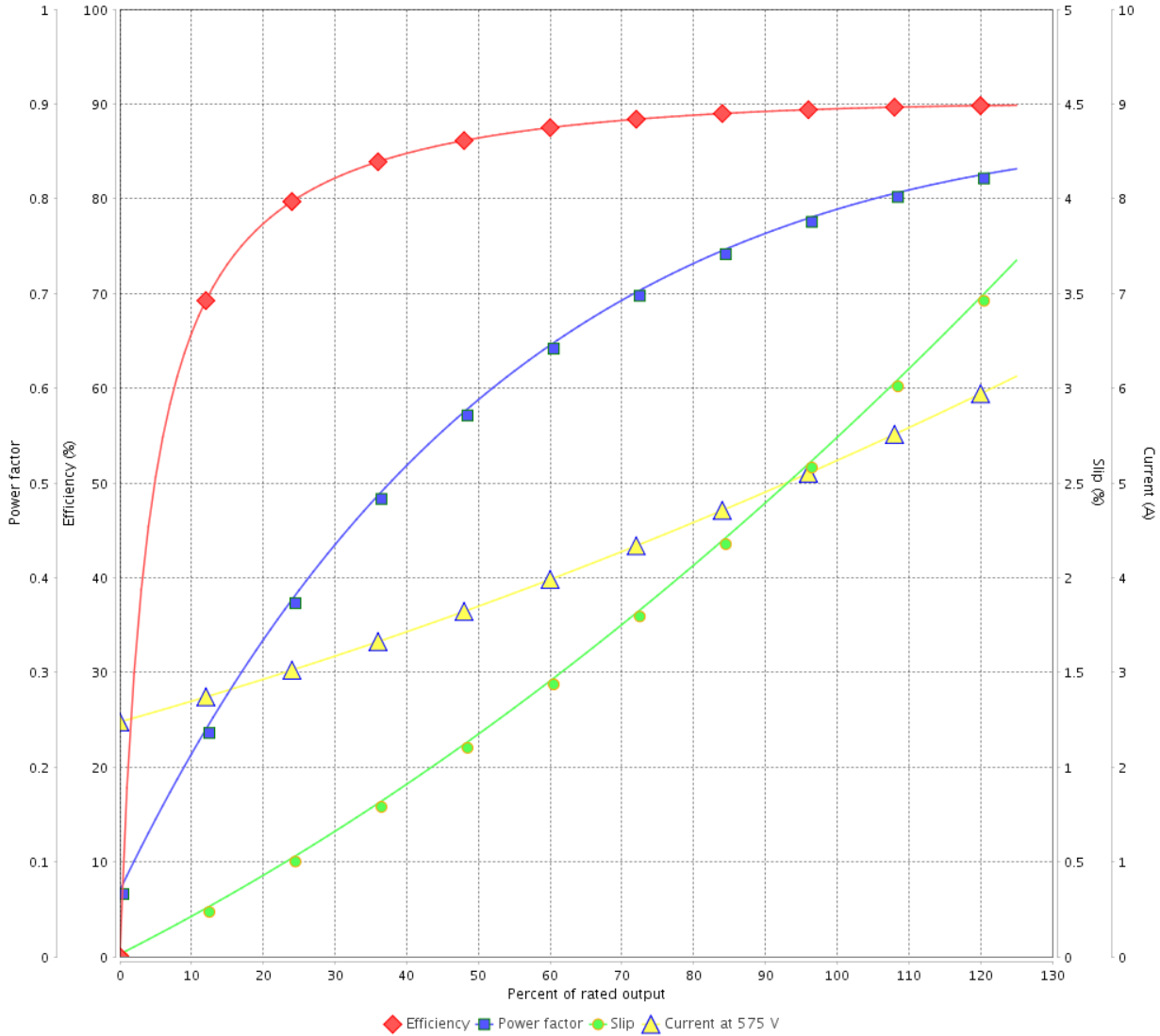
Customer :

Product line : NEMA Premium Efficiency Three-Phase

Product code : 14602357

Catalog # : 00518XT3H184JP

LOAD PERFORMANCE CURVE



Performance : 575 V 60 Hz 4P

Rated current : 5.26 A
 LRC : 7.1
 Rated torque : 15.0 ft.lb
 Locked rotor torque : 229 %
 Breakdown torque : 300 %
 Rated speed : 1750 rpm

Moment of inertia (J) : 0.3695 sq.ft.lb
 Duty cycle : Cont.(S1)
 Insulation class : F
 Service factor : 1.15
 Temperature rise : 80 K
 Design : B

Rev.	Changes Summary	Performed	Checked	Date
Performed by			Page 4 / 7	Revision
Checked by				
Date	12/04/2022			

THERMAL LIMIT CURVE



Three Phase Induction Motor - Squirrel Cage

Customer :

Product line : NEMA Premium Efficiency Three-Phase
 Product code : 14602357
 Catalog # : 00518XT3H184JP

Performance : 575 V 60 Hz 4P

Rated current : 5.26 A	Moment of inertia (J) : 0.3695 sq.ft.lb
LRC : 7.1	Duty cycle : Cont.(S1)
Rated torque : 15.0 ft.lb	Insulation class : F
Locked rotor torque : 229 %	Service factor : 1.15
Breakdown torque : 300 %	Temperature rise : 80 K
Rated speed : 1750 rpm	Design : B

Heating constant

Cooling constant

Rev.	Changes Summary	Performed	Checked	Date
Performed by			Page 5 / 7	Revision
Checked by				
Date	12/04/2022			

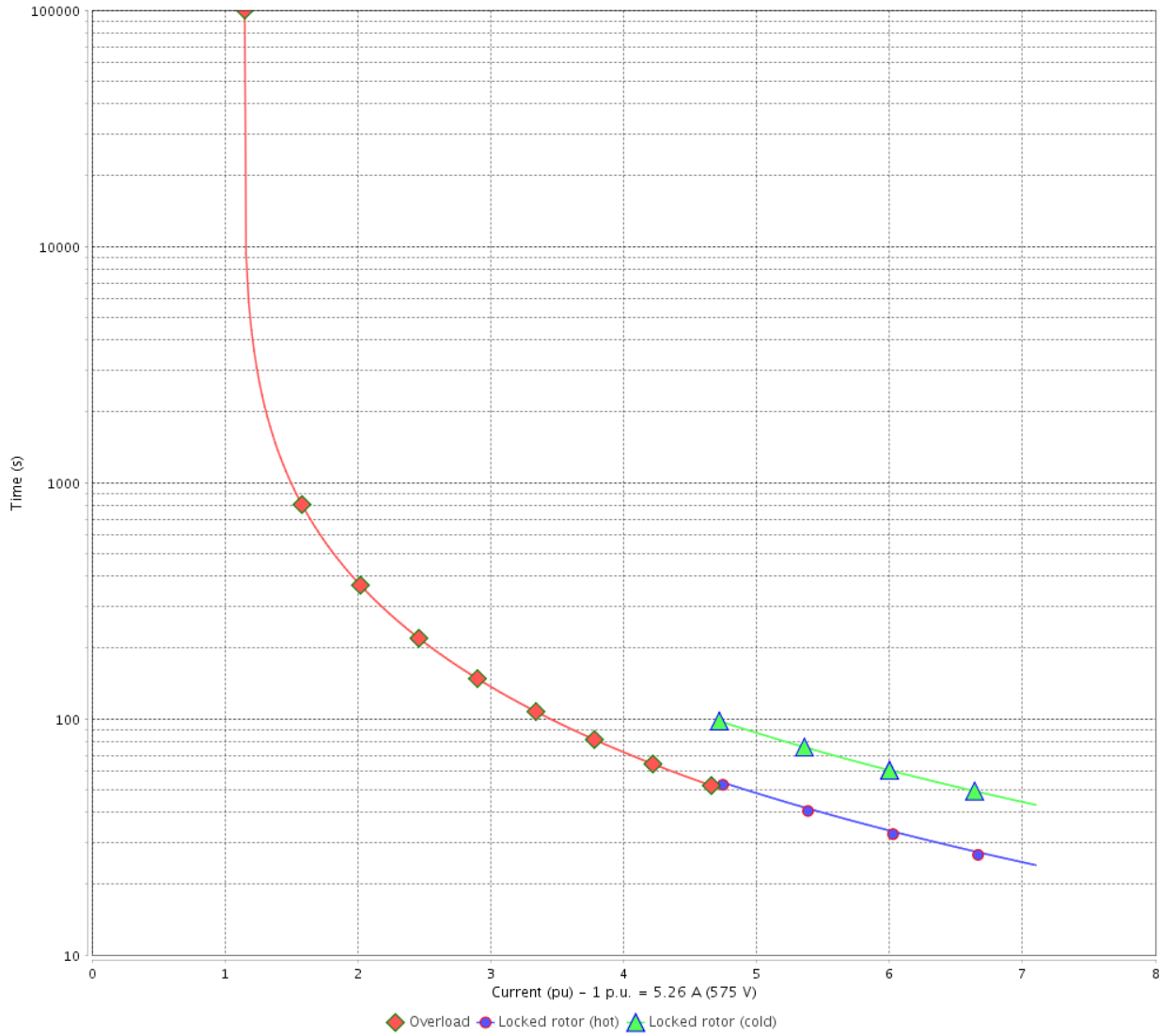
THERMAL LIMIT CURVE

Three Phase Induction Motor - Squirrel Cage



Customer : _____

THERMAL LIMIT CURVE



Rev.	Changes Summary	Performed	Checked	Date
Performed by			Page 6 / 7	Revision
Checked by				
Date	12/04/2022			

VFD OPERATION CURVE

Three Phase Induction Motor - Squirrel Cage

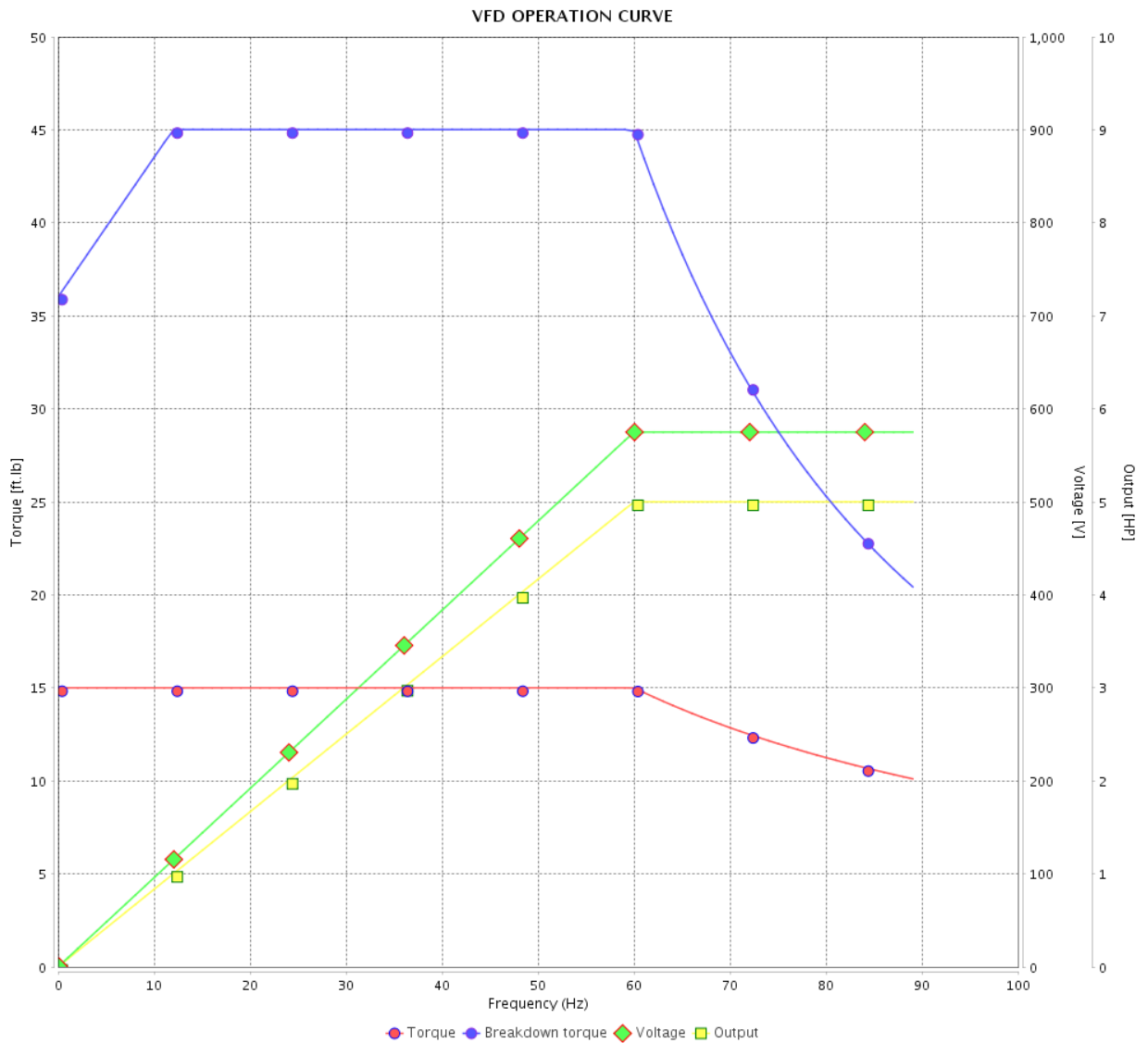


Customer :

Product line : NEMA Premium Efficiency Three-Phase

Product code : 14602357

Catalog # : 00518XT3H184JP



Performance : 575 V 60 Hz 4P

Rated current : 5.26 A
 LRC : 7.1
 Rated torque : 15.0 ft.lb
 Locked rotor torque : 229 %
 Breakdown torque : 300 %
 Rated speed : 1750 rpm

Moment of inertia (J) : 0.3695 sq.ft.lb
 Duty cycle : Cont.(S1)
 Insulation class : F
 Service factor : 1.15
 Temperature rise : 80 K
 Design : B

Rev.	Changes Summary	Performed	Checked	Date
Performed by				Page 7 / 7
Checked by				
Date	12/04/2022			

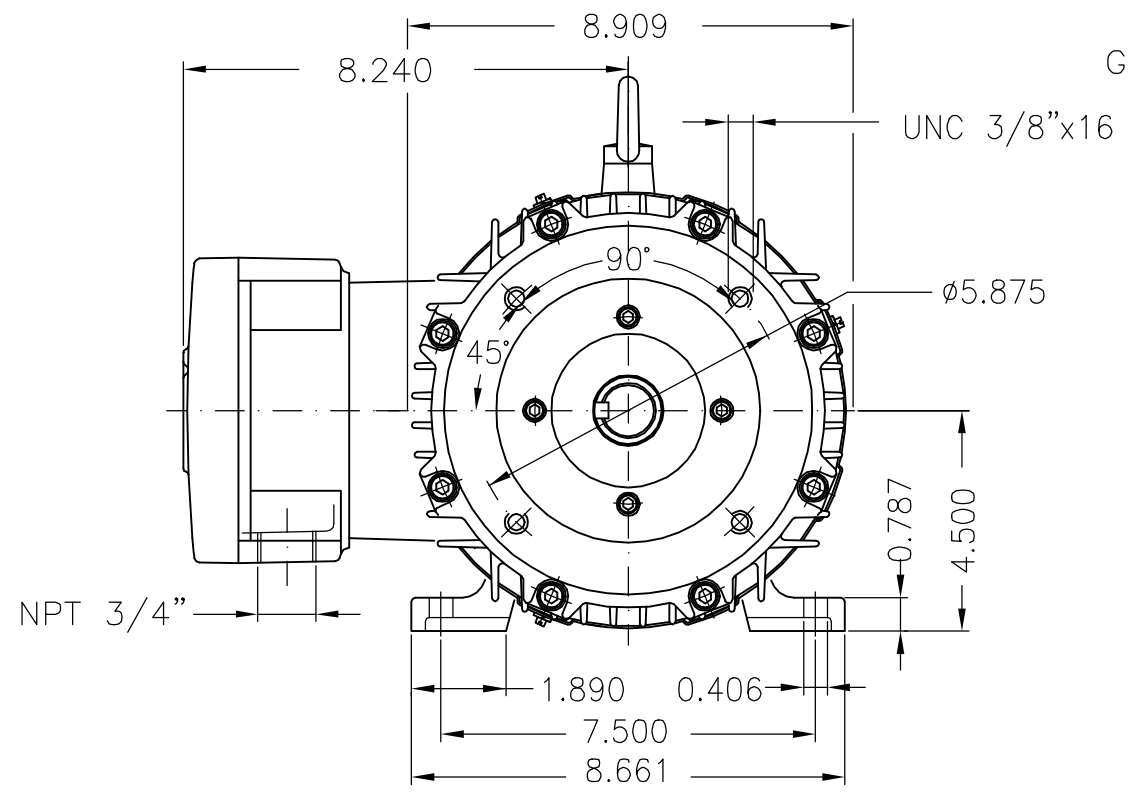
EIXO/SHAFT	
PADRÃO/STANDARD	
OPCIONAL/OPTIONAL	
ESPECIAL/SPECIAL	X

Dimensões em polegada
Dimensions in inches

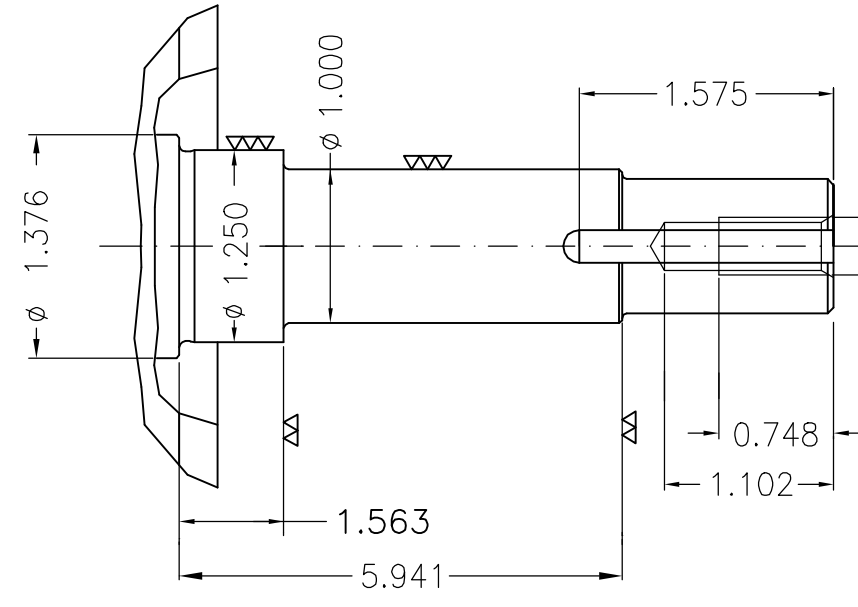
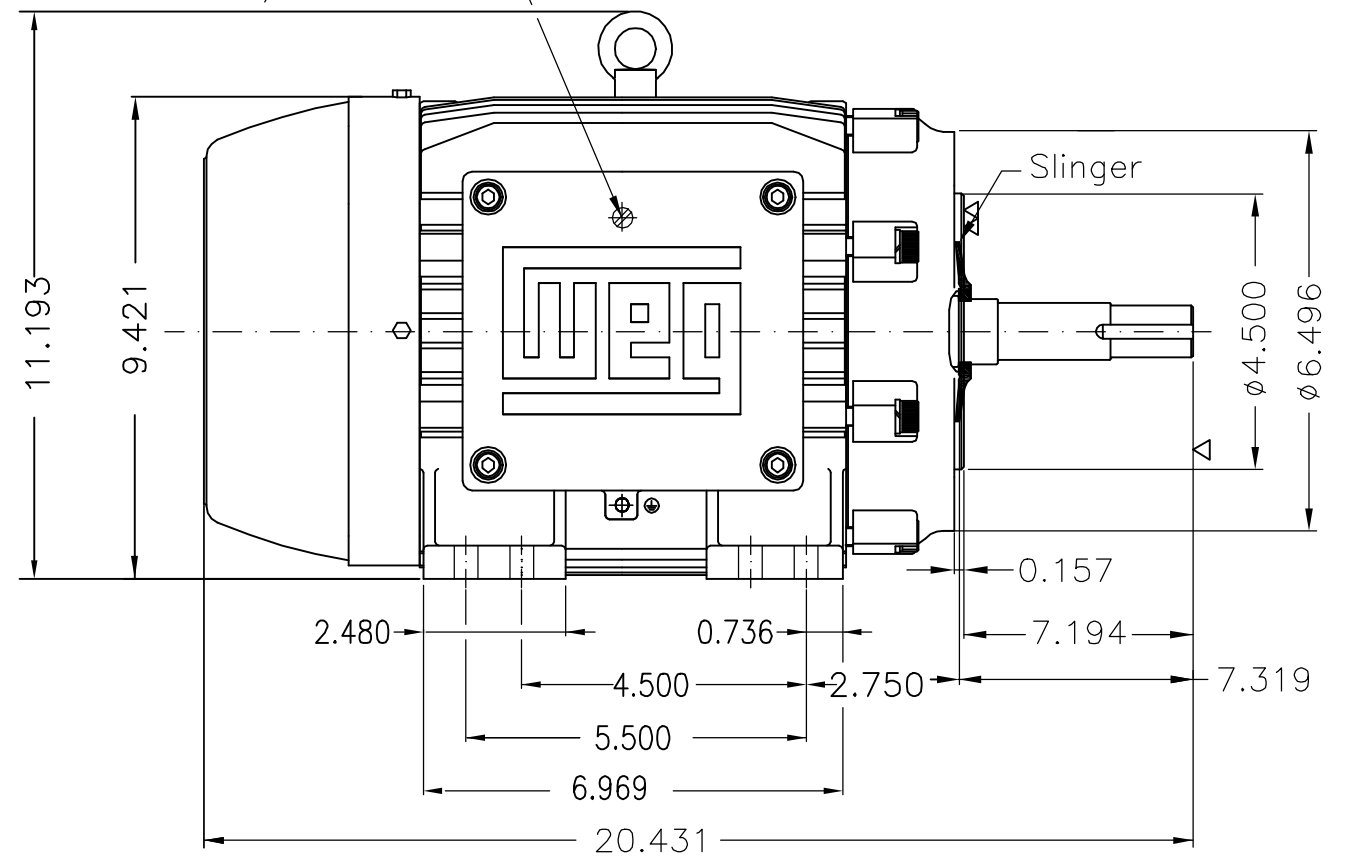
CERTIFIED WEG MOTORES
Certified document.
Not subject to changes.

THIS IS AN UPDATED REVISION, THE PREVIOUS ONE MUST BE DISREGARDED.

A
B
C
D
E

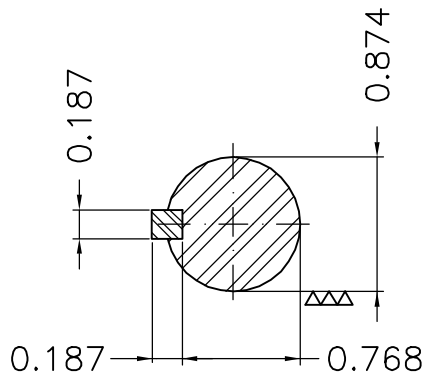


Grounding for leads 2-10 mm² / 14-7 AWG



DE Shaft End

EUNC 3/8"-16 WEG TBG253



Tampa flangeada especial / Special flanged endshield						
Ponta de eixo JP / JP shaft end						
Cor RAL 5009 / Color RAL 5009						
Plano de pintura 202P / Painting plan 202P						
Forma construtiva NEMA F-1 / Mounting NEMA F-1						
Forma construtiva B34D / Mounting B34R(D)						
WEG ELECTRIC CORPORATION - WEG						

500001594952		ALTERADO CONF. CLAIM 415204042	RICLAV	DALTONR	DALTONR	23.05.2019	01
500001503159		DOCUMENTO NOVO	NSCHMIDT	DVEGINI	DVEGINI	19.09.2018	00
ECM	LOC	SUMMARY OF MODIFICATIONS	EXECUTED	CHECKED	RELEASED	DATE	VER
EXECUTED	NSCHMIDT	THREE-PHASE EXPLOSION PROOF MOTOR FRAME 182/4TZ IP55 TEFC	10006063549				
CHECKED	DVEGINI						
RELEASED	DVEGINI						
REL DT	19.09.2018	WMO	Jaragua do Sul	Product Engineering	SHEET	1 / 1	

5 HP 04 Poles 60Hz 415200877/0

A

UNCONTROLLED COPY RELEASED ZME A3

MADE IN BRAZIL

**W21X NEMA**
Premium

14602357



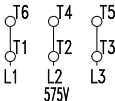
LISTED

CC029A

Inverter Duty Motor
Severe Duty

MODEL 00518XT3H184JP

PH 3	FR 182/4TZ	
HP(kW) 5.0(3.7)		HZ 60
		IP55
V 575		A 5.26
RPM 1750		NEMA NOM EFF 89.5%
PF 0.79	SFA 6.05	DES B
INS CL F Δ T 80 K	SF 1.15	ENCL TEFC
DUTY CONT.	CODE J	ALT 1000 m.a.s.l.
AMB 40°C		



→ 6307-2RS MOBIL POLYREX EM
→ 6206-2RS

134 Lbs



TEMP CODE T3C
CSA/UL: Class I - Div. 1 - Groups C and D
CSA: Class II - Div. 1 - Groups F and G
CSA: Class I - Zone 1 - IIB

EXPLOSION PROOF MOTOR

FOR USE ON VPWM VFD 1000:1VT, 20:1CT, 1.0SF, T3C, AMB 40°C.