

# DATA SHEET



## Three Phase Induction Motor - Squirrel Cage

Customer :		
Product line	: JP Pump NEMA Premium Efficiency Three-Phase	
Product code :	14328049	
Catalog # :	00536ET3E184JP-S	
Frame	: 182/4JP	
Insulation class	: F	
Duty cycle	: Cont.(S1)	
Ambient temperature	: -20°C to +40°C	
Altitude	: 1000 m.a.s.l.	
Protection degree	: IP55	
Design	: B	
Cooling method	: IC411 - TEFC	
Mounting	: F-1	
Rotation <sup>1</sup>	: Both (CW and CCW)	
Starting method	: Direct On Line	
Approx. weight <sup>2</sup>	: 89.8 lb	
Moment of inertia (J)	: 0.2079 sq.ft.lb	
Output [HP]	5	
Poles	2	
Frequency [Hz]	60	
Rated voltage [V]	230/460	
Rated current [A]	11.8/5.90	
L. R. Amperes [A]	92.0/46.0	
LRC [A]	7.8x(Code J)	
No load current [A]	4.40/2.20	
Rated speed [RPM]	3500	
Slip [%]	2.78	
Rated torque [ft.lb]	7.50	
Locked rotor torque [%]	220	
Breakdown torque [%]	300	
Service factor	1.15	
Temperature rise	80 K	
Locked rotor time	30s (cold) 17s (hot)	
Noise level <sup>2</sup>	68.0 dB(A)	
Efficiency (%)	25%	87.2
	50%	87.5
	75%	88.5
	100%	88.5
Power Factor	25%	0.49
	50%	0.76
	75%	0.85
	100%	0.89
Bearing type	: <u>Drive end</u> 6207 ZZ <u>Non drive end</u> 6205 ZZ	
Sealing	: V'Ring Without Bearing Seal	
Lubrication interval	: -	
Lubricant amount	: -	
Lubricant type	: Mobil Polyrex EM	
Foundation loads	Max. traction : 118 lb	
	Max. compression : 208 lb	
Notes USABLE @208V 13.1A SF 1.00 SFA 13.1A		
This revision replaces and cancel the previous one, which must be eliminated. (1) Looking the motor from the shaft end. (2) Measured at 1m and with tolerance of +3dB(A). (3) Approximate weight subject to changes after manufacturing process. (4) At 100% of full load.		
These are average values based on tests with sinusoidal power supply, subject to the tolerances stipulated in NEMA MG-1.		
Rev.	Changes Summary	
Performed by	Performed	
Checked by	Checked	
Date	13/04/2022	
Page	1 / 16	
Revision		

# TORQUE AND CURRENT VS SPEED CURVE

Three Phase Induction Motor - Squirrel Cage

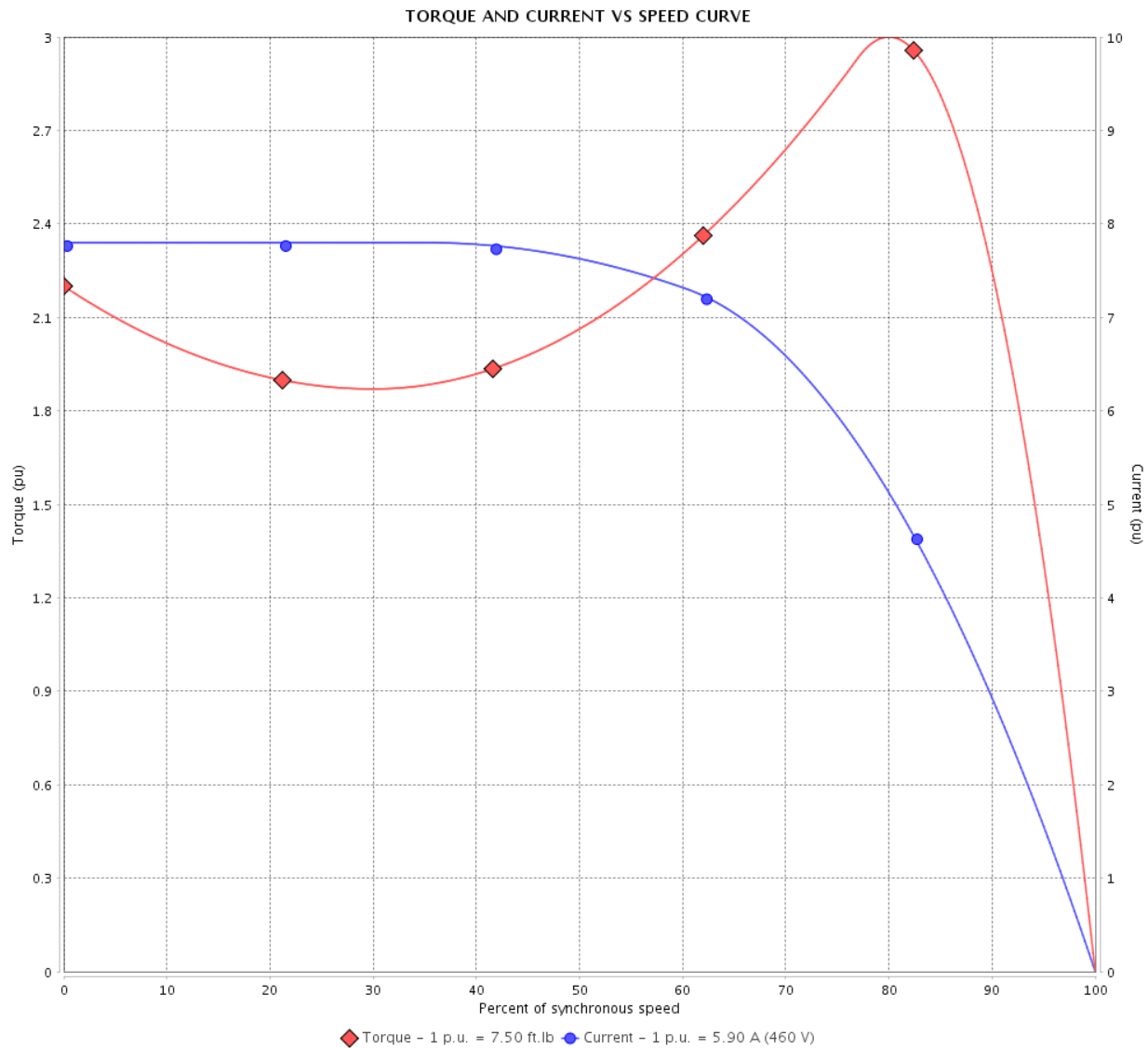


Customer :

Product line : JP Pump NEMA Premium  
Efficiency Three-Phase

Product code : 14328049

Catalog # : 00536ET3E184JP-S



Performance : 230/460 V 60 Hz 2P

Rated current	: 11.8/5.90 A	Moment of inertia (J)	: 0.2079 sq.ft.lb
LRC	: 7.8	Duty cycle	: Cont.(S1)
Rated torque	: 7.50 ft.lb	Insulation class	: F
Locked rotor torque	: 220 %	Service factor	: 1.15
Breakdown torque	: 300 %	Temperature rise	: 80 K
Rated speed	: 3500 rpm	Design	: B

Locked rotor time : 30s (cold) 17s (hot)

Rev.	Changes Summary	Performed	Checked	Date
Performed by			Page 2 / 16	Revision
Checked by				
Date	13/04/2022			

# TORQUE AND CURRENT VS SPEED CURVE



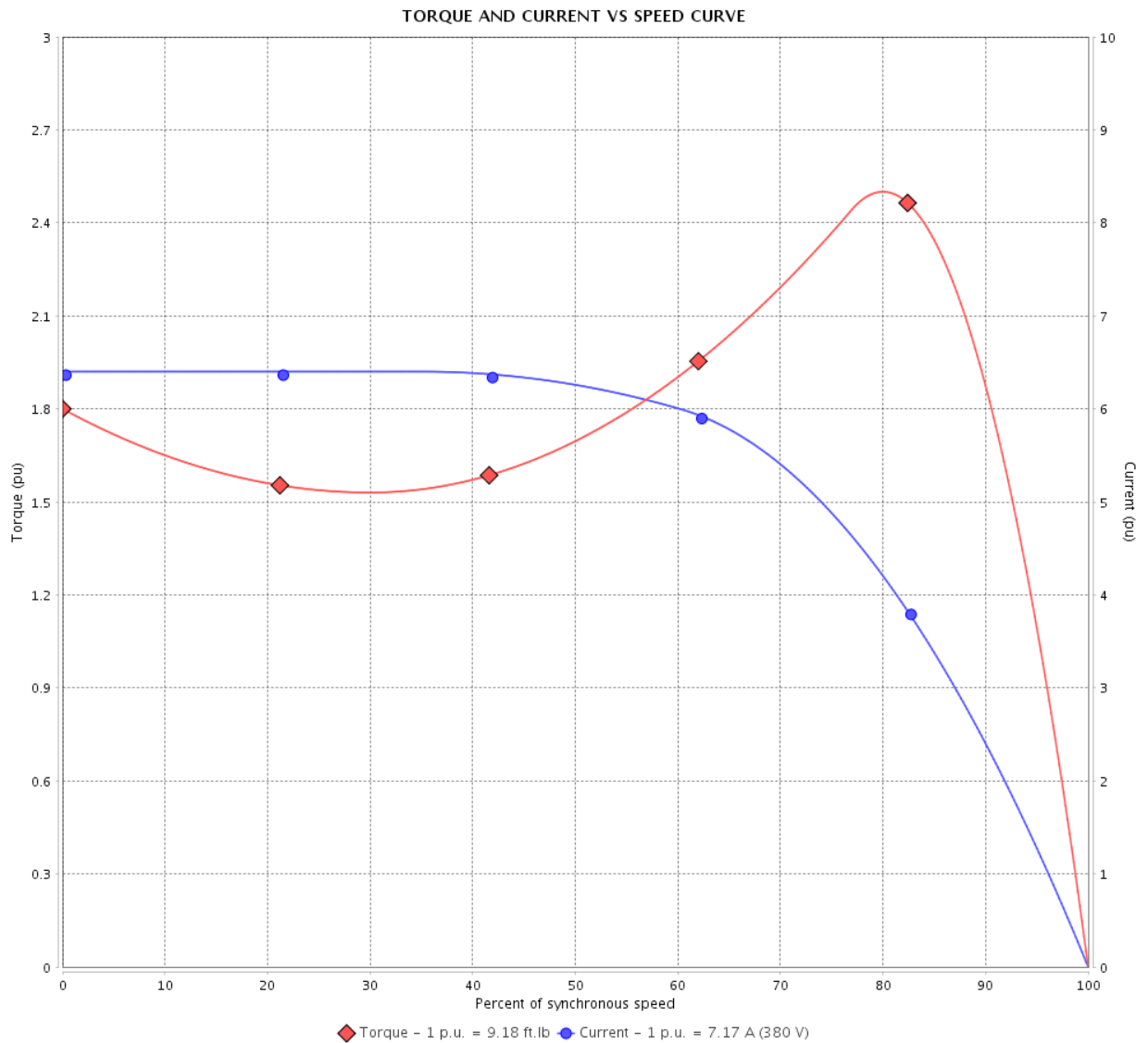
## Three Phase Induction Motor - Squirrel Cage

Customer :

Product line : JP Pump NEMA Premium Efficiency Three-Phase

Product code : 14328049

Catalog # : 00536ET3E184JP-S



Performance : 190/380 V 50 Hz 2P

Rated current : 14.3/7.17 A  
 LRC : 6.4  
 Rated torque : 9.18 ft.lb  
 Locked rotor torque : 180 %  
 Breakdown torque : 250 %  
 Rated speed : 2860 rpm

Moment of inertia (J) : 0.2079 sq.ft.lb  
 Duty cycle : Cont.(S1)  
 Insulation class : F  
 Service factor : 1.00  
 Temperature rise : 105 K  
 Design : B

Locked rotor time : 0s (cold) 0s (hot)

Rev.	Changes Summary	Performed	Checked	Date
Performed by			Page 3 / 16	Revision
Checked by				
Date	13/04/2022			

# TORQUE AND CURRENT VS SPEED CURVE

Three Phase Induction Motor - Squirrel Cage



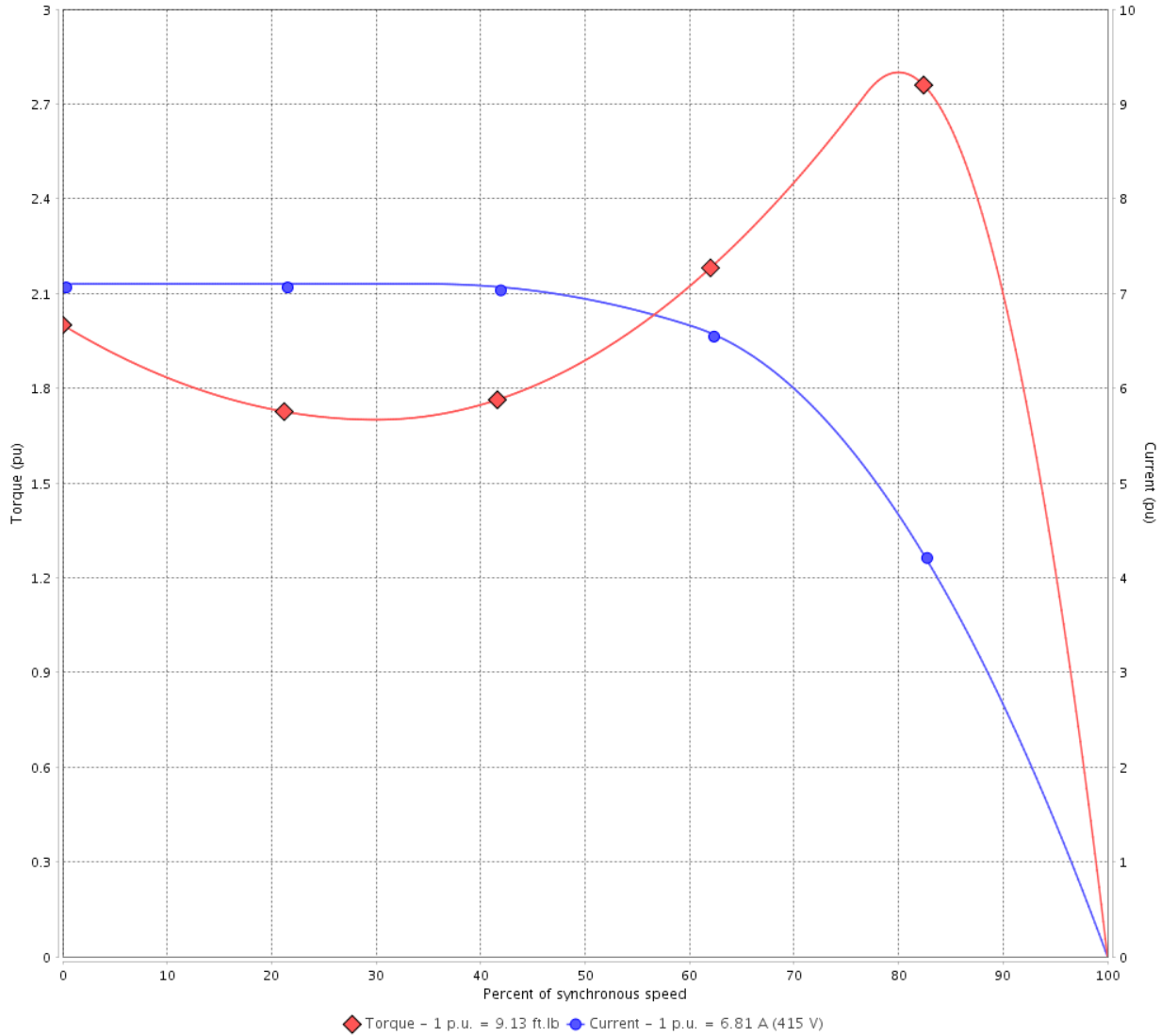
Customer :

Product line : JP Pump NEMA Premium  
Efficiency Three-Phase

Product code : 14328049

Catalog # : 00536ET3E184JP-S

TORQUE AND CURRENT VS SPEED CURVE



Performance : 220/415 V 50 Hz 2P

Rated current : 12.8/6.81 A  
LRC : 7.1  
Rated torque : 9.13 ft.lb  
Locked rotor torque : 200 %  
Breakdown torque : 280 %  
Rated speed : 2875 rpm

Moment of inertia (J) : 0.2079 sq.ft.lb  
Duty cycle : Cont.(S1)  
Insulation class : F  
Service factor : 1.00  
Temperature rise : 105 K  
Design : B

Locked rotor time : 0s (cold) 0s (hot)

Rev.	Changes Summary	Performed	Checked	Date
Performed by			Page 4 / 16	Revision
Checked by				
Date	13/04/2022			

# LOAD PERFORMANCE CURVE

## Three Phase Induction Motor - Squirrel Cage

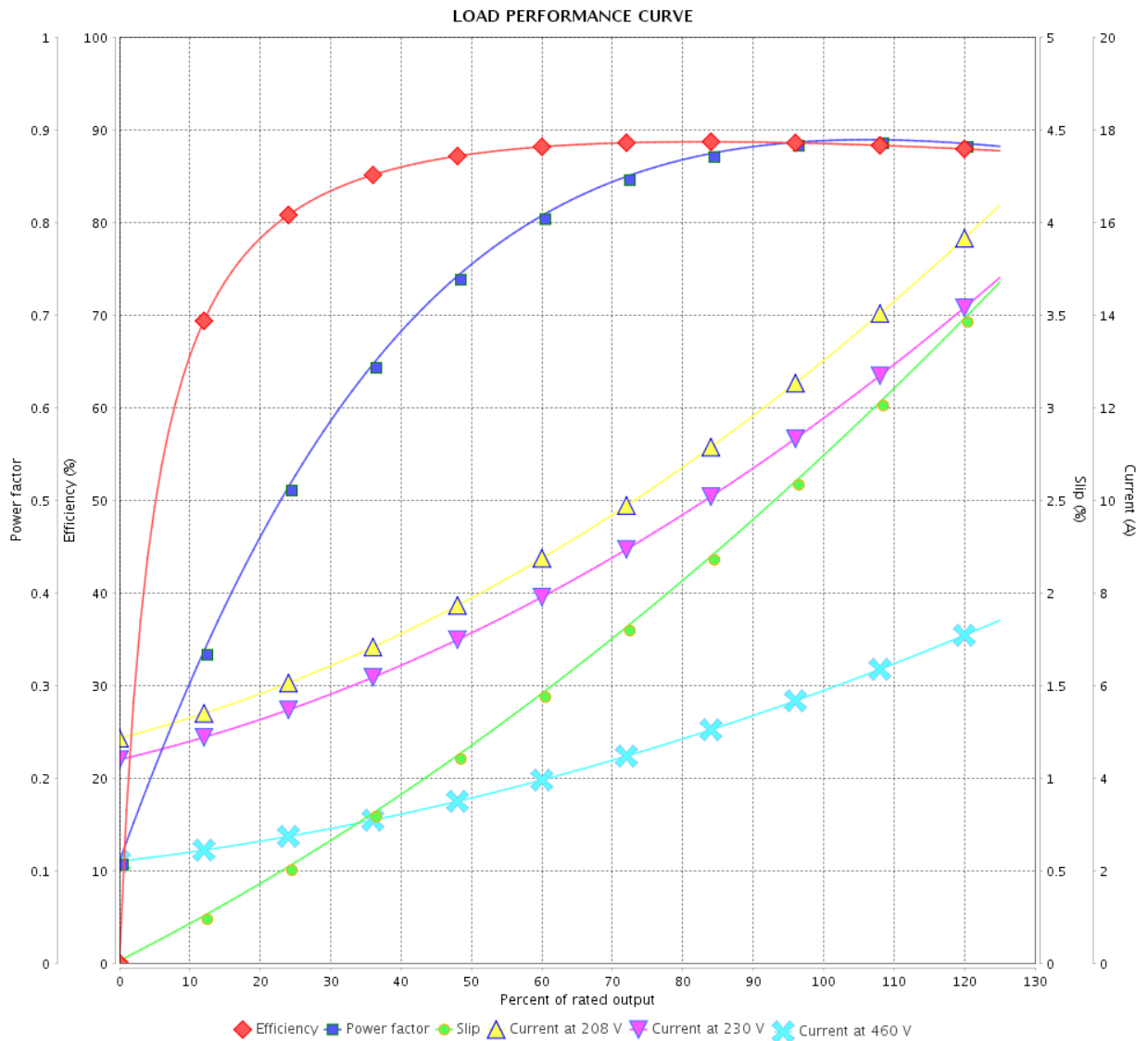


Customer :

Product line : JP Pump NEMA Premium  
Efficiency Three-Phase

Product code : 14328049

Catalog # : 00536ET3E184JP-S



Performance : 230/460 V 60 Hz 2P

Rated current : 11.8/5.90 A  
 LRC : 7.8  
 Rated torque : 7.50 ft.lb  
 Locked rotor torque : 220 %  
 Breakdown torque : 300 %  
 Rated speed : 3500 rpm

Moment of inertia (J) : 0.2079 sq.ft.lb  
 Duty cycle : Cont.(S1)  
 Insulation class : F  
 Service factor : 1.15  
 Temperature rise : 80 K  
 Design : B

Rev.	Changes Summary	Performed	Checked	Date
Performed by		Page		Revision
Checked by		5 / 16		
Date		13/04/2022		

# LOAD PERFORMANCE CURVE

Three Phase Induction Motor - Squirrel Cage



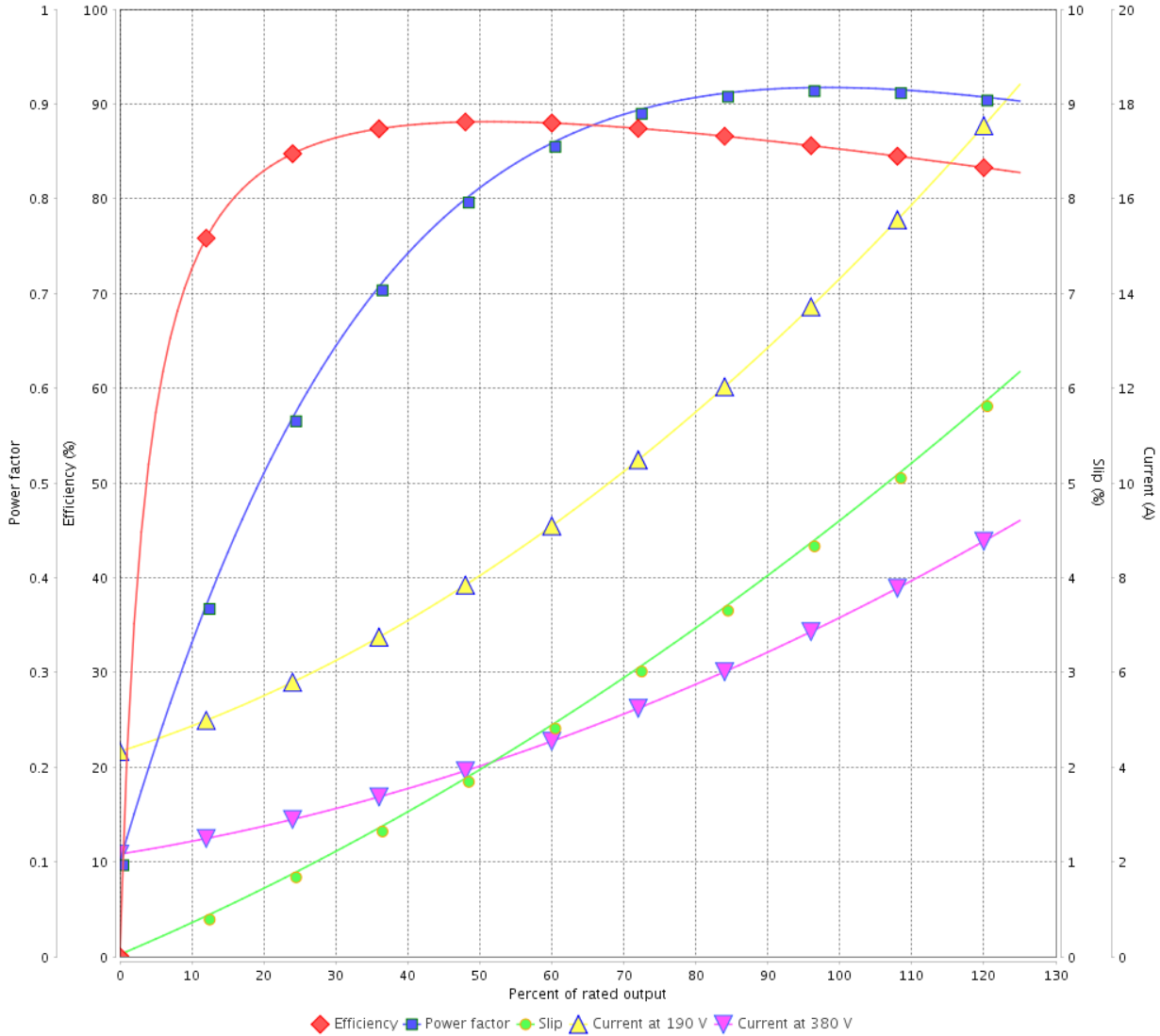
Customer :

Product line : JP Pump NEMA Premium Efficiency Three-Phase

Product code : 14328049

Catalog # : 00536ET3E184JP-S

LOAD PERFORMANCE CURVE



Performance : 190/380 V 50 Hz 2P

Rated current : 14.3/17 A  
 LRC : 6.4  
 Rated torque : 9.18 ft.lb  
 Locked rotor torque : 180 %  
 Breakdown torque : 250 %  
 Rated speed : 2860 rpm

Moment of inertia (J) : 0.2079 sq.ft.lb  
 Duty cycle : Cont.(S1)  
 Insulation class : F  
 Service factor : 1.00  
 Temperature rise : 105 K  
 Design : B

Rev.	Changes Summary	Performed	Checked	Date
Performed by			Page	Revision
Checked by			6 / 16	
Date	13/04/2022			

# LOAD PERFORMANCE CURVE

## Three Phase Induction Motor - Squirrel Cage

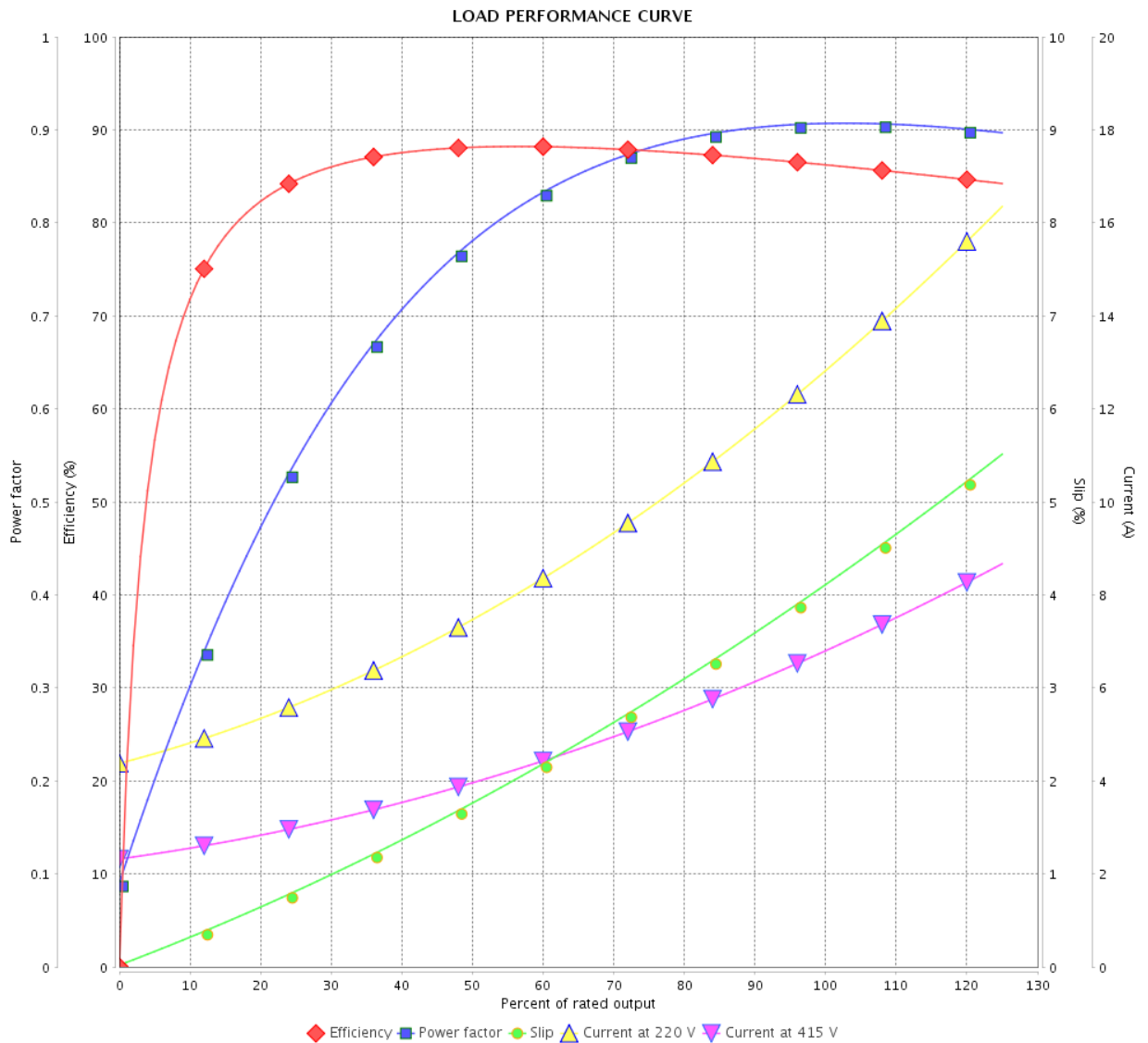


Customer : \_\_\_\_\_

Product line : JP Pump NEMA Premium  
Efficiency Three-Phase

Product code : 14328049

Catalog # : 00536ET3E184JP-S



Performance : 220/415 V 50 Hz 2P

Rated current : 12.8/6.81 A  
 LRC : 7.1  
 Rated torque : 9.13 ft.lb  
 Locked rotor torque : 200 %  
 Breakdown torque : 280 %  
 Rated speed : 2875 rpm

Moment of inertia (J) : 0.2079 sq.ft.lb  
 Duty cycle : Cont.(S1)  
 Insulation class : F  
 Service factor : 1.00  
 Temperature rise : 105 K  
 Design : B

Rev.	Changes Summary	Performed	Checked	Date
Performed by		Page		Revision
Checked by		7 / 16		
Date		13/04/2022		

# THERMAL LIMIT CURVE

## Three Phase Induction Motor - Squirrel Cage



Customer :

Product line : JP Pump NEMA Premium  
Efficiency Three-Phase

Product code : 14328049

Catalog # : 00536ET3E184JP-S

Performance : 230/460 V 60 Hz 2P

Rated current : 11.8/5.90 A  
LRC : 7.8  
Rated torque : 7.50 ft.lb  
Locked rotor torque : 220 %  
Breakdown torque : 300 %  
Rated speed : 3500 rpm

Moment of inertia (J) : 0.2079 sq.ft.lb  
Duty cycle : Cont.(S1)  
Insulation class : F  
Service factor : 1.15  
Temperature rise : 80 K  
Design : B

Heating constant

Cooling constant

Rev.	Changes Summary	Performed	Checked	Date
Performed by				
Checked by			Page	Revision
Date	13/04/2022		8 / 16	

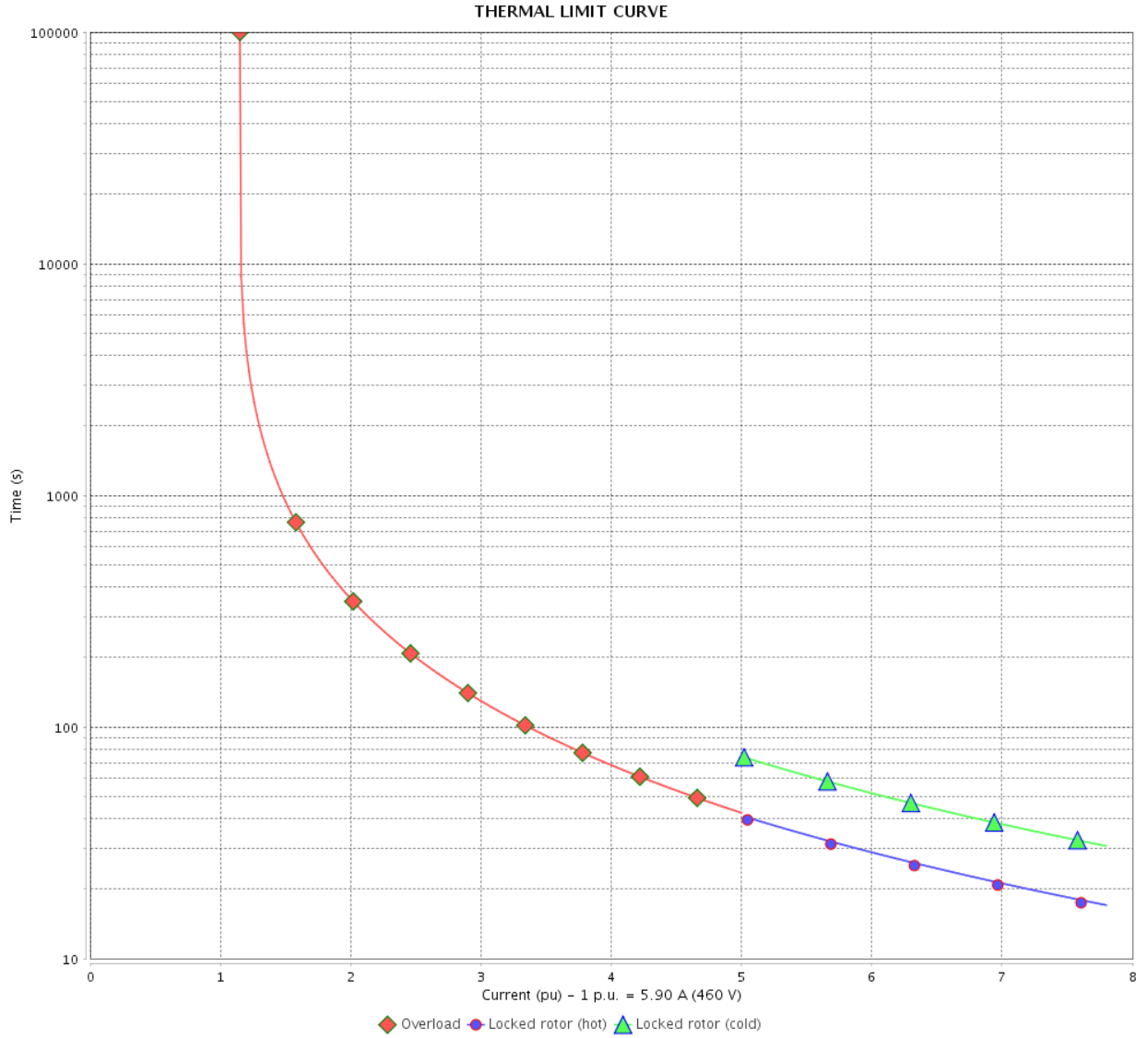


# THERMAL LIMIT CURVE

Three Phase Induction Motor - Squirrel Cage



Customer : \_\_\_\_\_



Rev.	Changes Summary	Performed	Checked	Date
Performed by				
Checked by				
Date				
		Page	Revision	
		9 / 16		

# THERMAL LIMIT CURVE



## Three Phase Induction Motor - Squirrel Cage

Customer :

Product line : JP Pump NEMA Premium  
Efficiency Three-Phase

Product code : 14328049

Catalog # : 00536ET3E184JP-S

Performance : 190/380 V 50 Hz 2P

Rated current : 14.3/7.17 A  
LRC : 6.4  
Rated torque : 9.18 ft.lb  
Locked rotor torque : 180 %  
Breakdown torque : 250 %  
Rated speed : 2860 rpm

Moment of inertia (J) : 0.2079 sq.ft.lb  
Duty cycle : Cont.(S1)  
Insulation class : F  
Service factor : 1.00  
Temperature rise : 105 K  
Design : B

Heating constant

Cooling constant

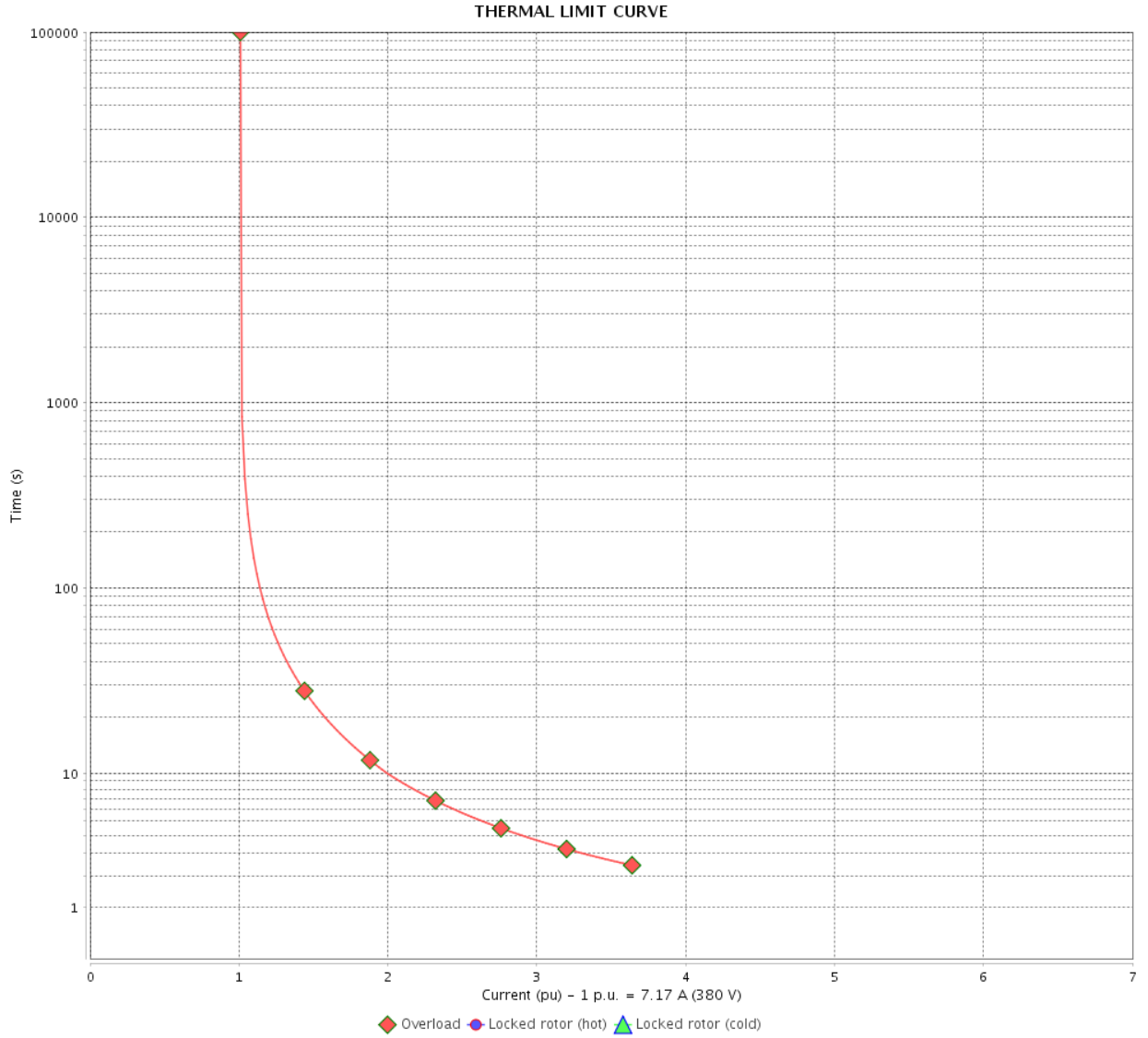
Rev.	Changes Summary	Performed	Checked	Date
Performed by				
Checked by			Page	Revision
Date	13/04/2022		10 / 16	

# THERMAL LIMIT CURVE

Three Phase Induction Motor - Squirrel Cage



Customer : \_\_\_\_\_



Rev.	Changes Summary	Performed	Checked	Date
Performed by		Page		Revision
Checked by		11 / 16		
Date		13/04/2022		

# THERMAL LIMIT CURVE



## Three Phase Induction Motor - Squirrel Cage

Customer :

Product line : JP Pump NEMA Premium  
Efficiency Three-Phase

Product code : 14328049

Catalog # : 00536ET3E184JP-S

Performance : 220/415 V 50 Hz 2P

Rated current : 12.8/6.81 A  
LRC : 7.1  
Rated torque : 9.13 ft.lb  
Locked rotor torque : 200 %  
Breakdown torque : 280 %  
Rated speed : 2875 rpm

Moment of inertia (J) : 0.2079 sq.ft.lb  
Duty cycle : Cont.(S1)  
Insulation class : F  
Service factor : 1.00  
Temperature rise : 105 K  
Design : B

Heating constant

Cooling constant

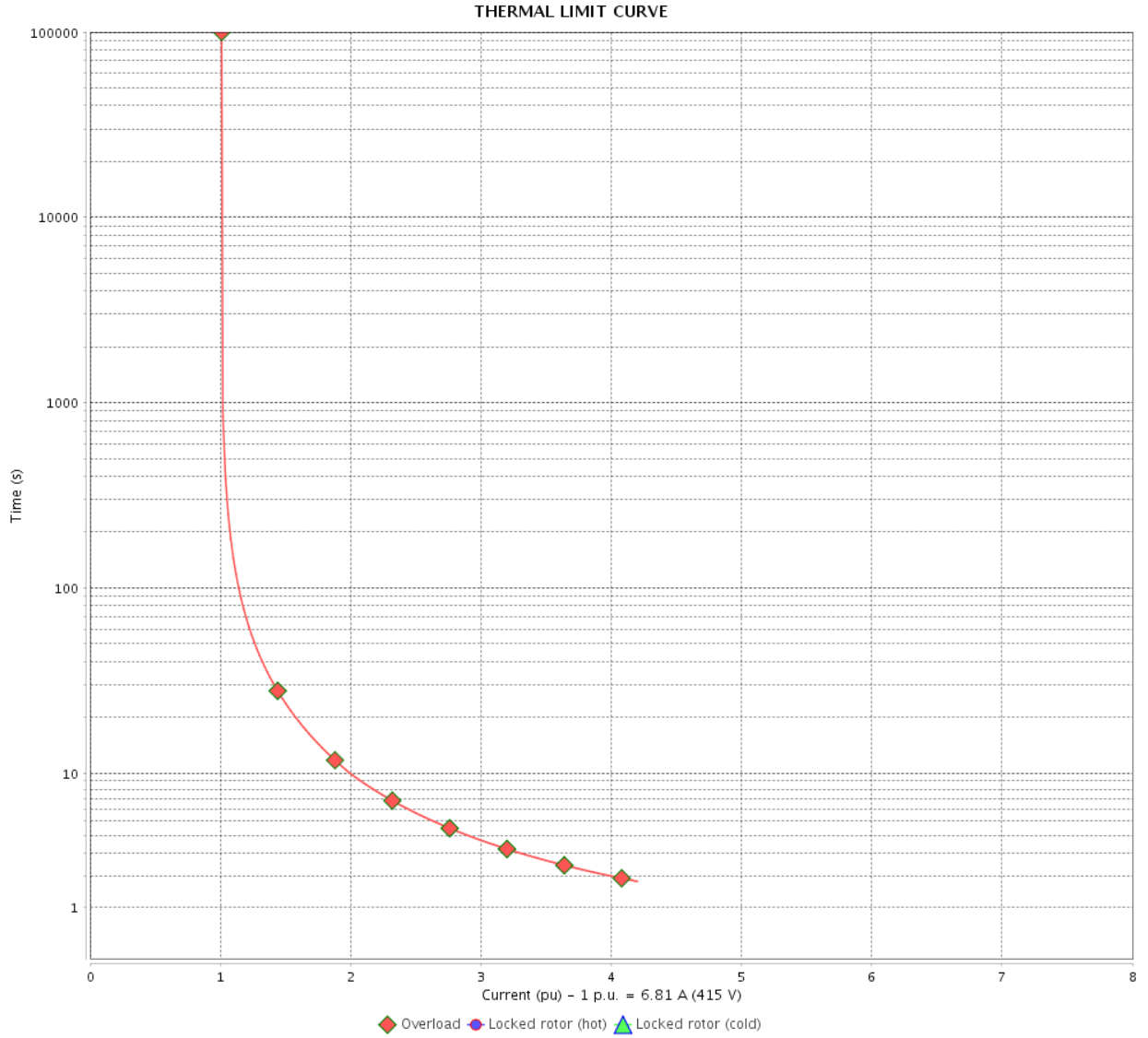
Rev.	Changes Summary	Performed	Checked	Date
Performed by				
Checked by			Page	Revision
Date	13/04/2022		12 / 16	

# THERMAL LIMIT CURVE

Three Phase Induction Motor - Squirrel Cage



Customer : \_\_\_\_\_



Rev.	Changes Summary	Performed	Checked	Date
Performed by		Page		Revision
Checked by		13 / 16		
Date		13/04/2022		

# VFD OPERATION CURVE

Three Phase Induction Motor - Squirrel Cage

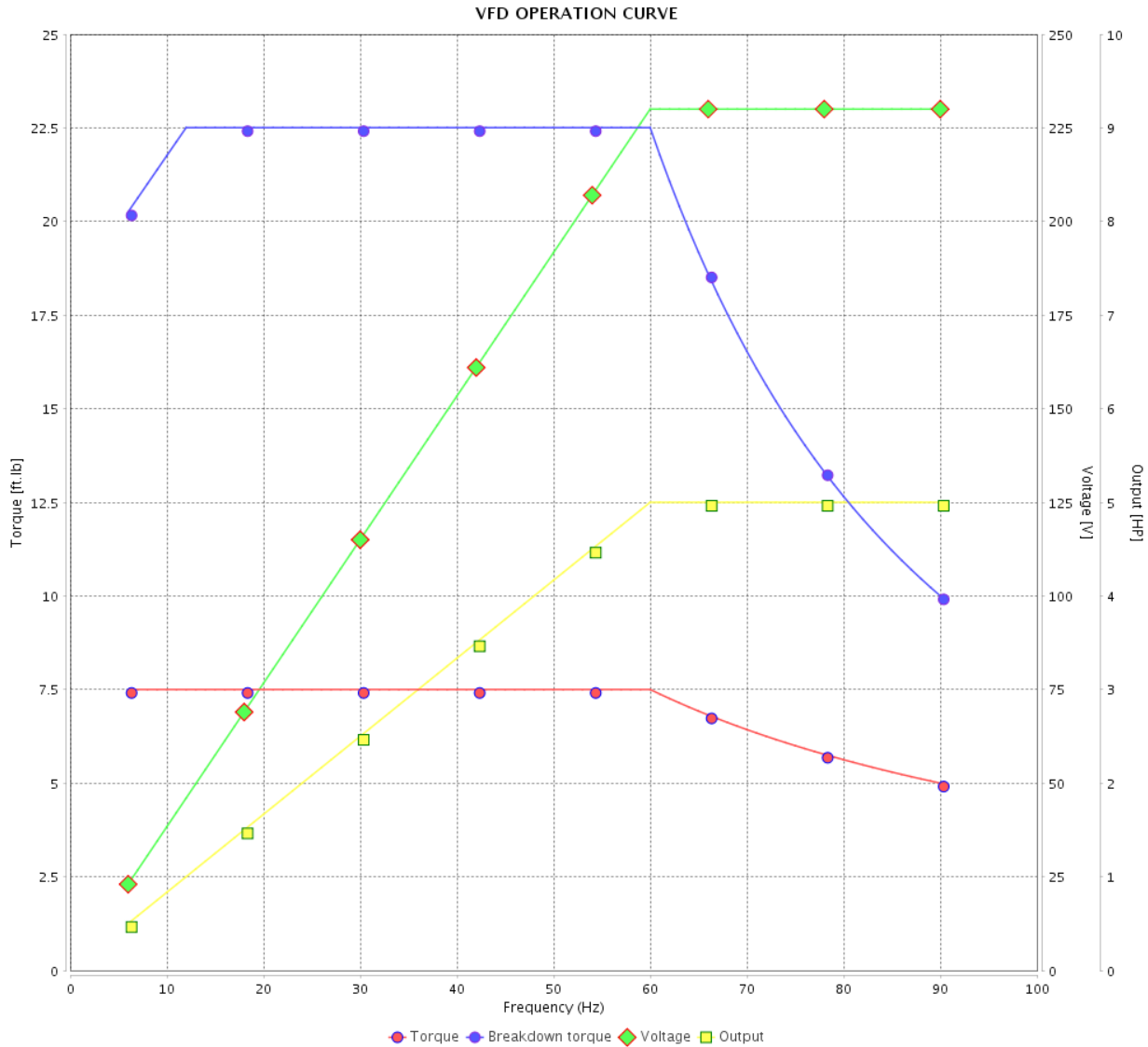


Customer : \_\_\_\_\_

Product line : JP Pump NEMA Premium Efficiency Three-Phase

Product code : 14328049

Catalog # : 00536ET3E184JP-S



Performance : 230/460 V 60 Hz 2P

Rated current : 11.8/5.90 A  
 LRC : 7.8  
 Rated torque : 7.50 ft.lb  
 Locked rotor torque : 220 %  
 Breakdown torque : 300 %  
 Rated speed : 3500 rpm

Moment of inertia (J) : 0.2079 sq.ft.lb  
 Duty cycle : Cont.(S1)  
 Insulation class : F  
 Service factor : 1.15  
 Temperature rise : 80 K  
 Design : B

Rev.	Changes Summary	Performed	Checked	Date
Performed by			Page 14 / 16	Revision
Checked by				
Date	13/04/2022			

# VFD OPERATION CURVE

## Three Phase Induction Motor - Squirrel Cage

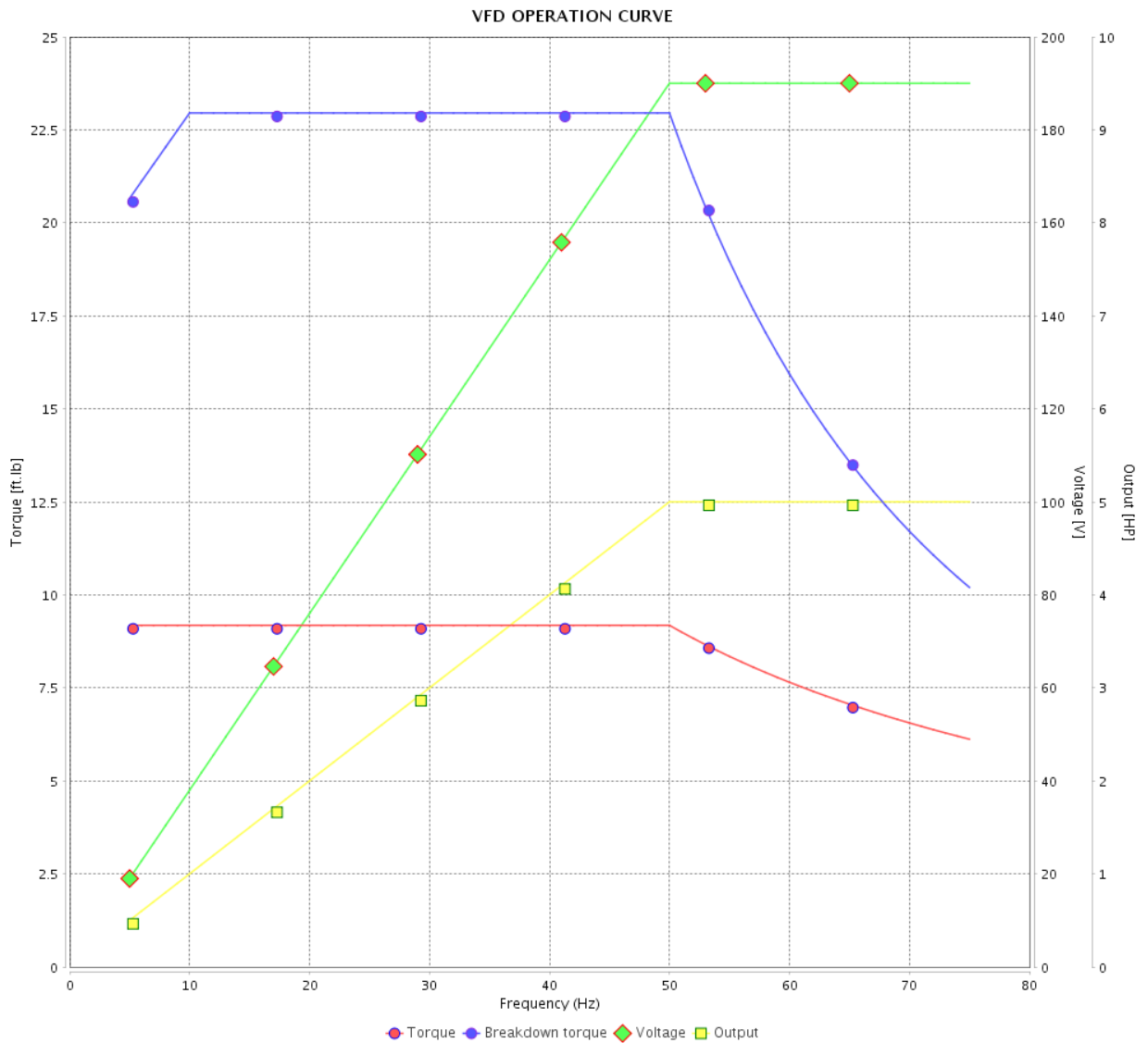


Customer :

Product line : JP Pump NEMA Premium Efficiency Three-Phase

Product code : 14328049

Catalog # : 00536ET3E184JP-S



Performance : 190/380 V 50 Hz 2P

Rated current : 14.3/7.17 A  
 LRC : 6.4  
 Rated torque : 9.18 ft.lb  
 Locked rotor torque : 180 %  
 Breakdown torque : 250 %  
 Rated speed : 2860 rpm

Moment of inertia (J) : 0.2079 sq.ft.lb  
 Duty cycle : Cont.(S1)  
 Insulation class : F  
 Service factor : 1.00  
 Temperature rise : 105 K  
 Design : B

Rev.	Changes Summary	Performed	Checked	Date
Performed by			Page 15 / 16	Revision
Checked by				
Date	13/04/2022			

# VFD OPERATION CURVE

Three Phase Induction Motor - Squirrel Cage

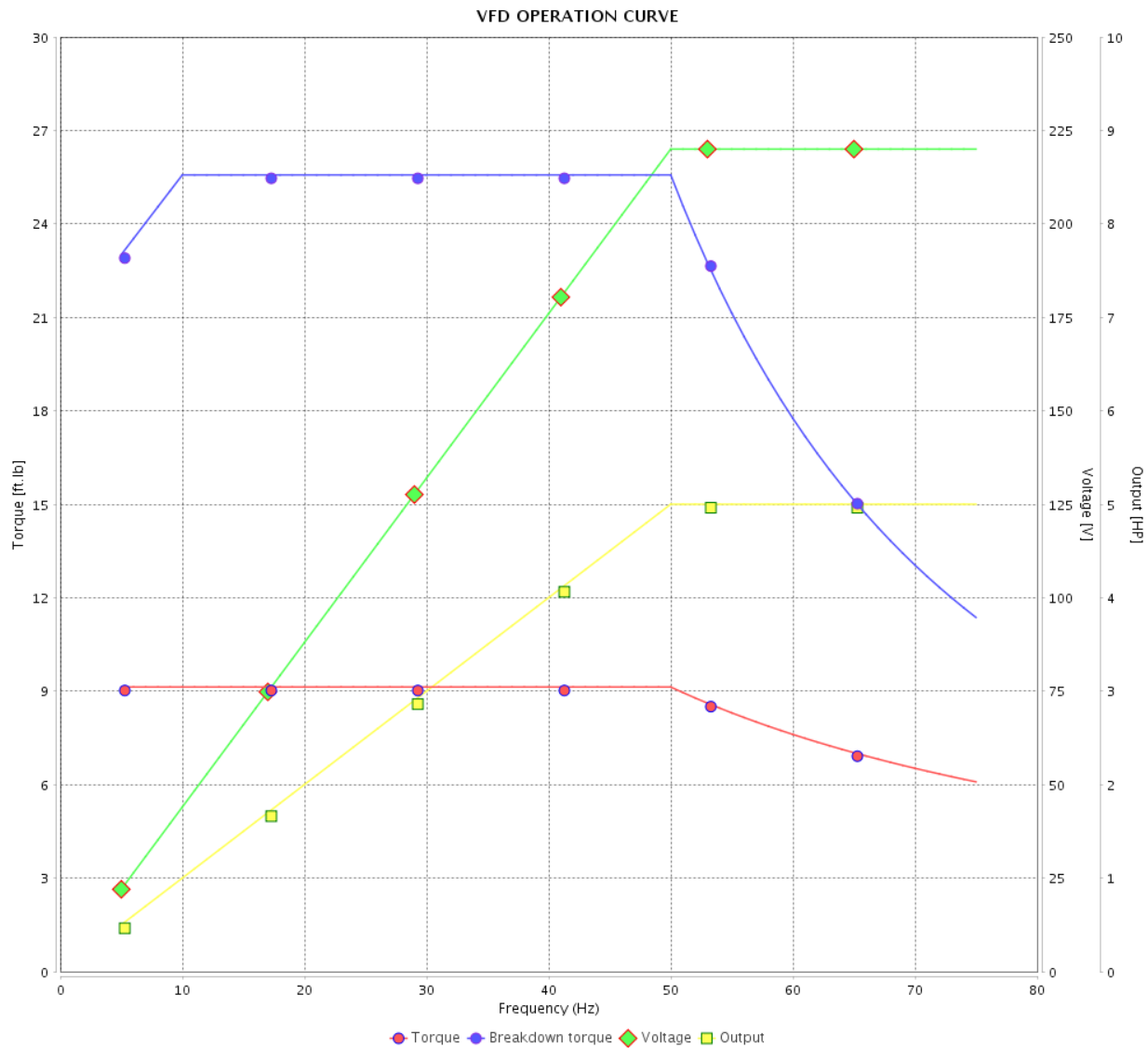


Customer :

Product line : JP Pump NEMA Premium Efficiency Three-Phase

Product code : 14328049

Catalog # : 00536ET3E184JP-S



Performance : 220/415 V 50 Hz 2P

Rated current : 12.8/6.81 A  
 LRC : 7.1  
 Rated torque : 9.13 ft.lb  
 Locked rotor torque : 200 %  
 Breakdown torque : 280 %  
 Rated speed : 2875 rpm

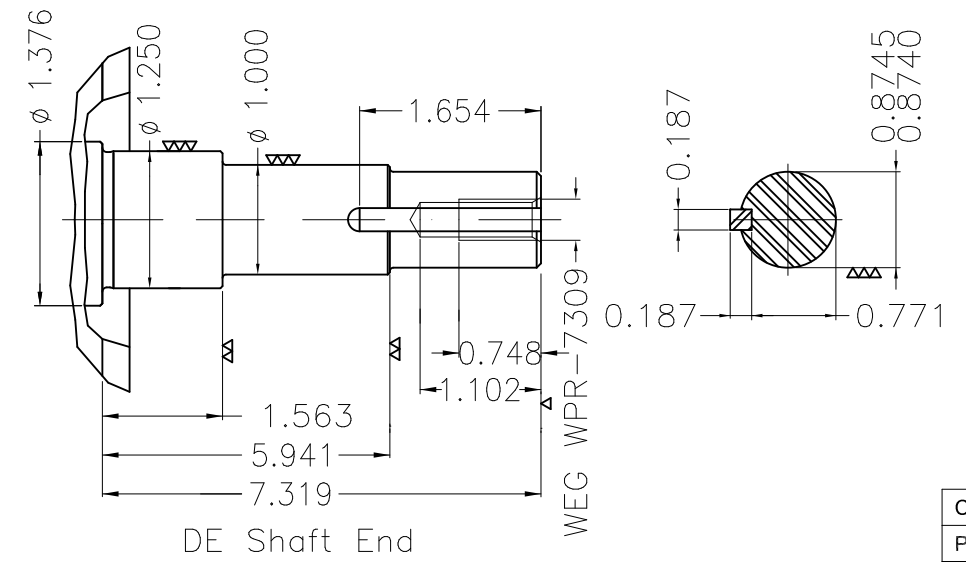
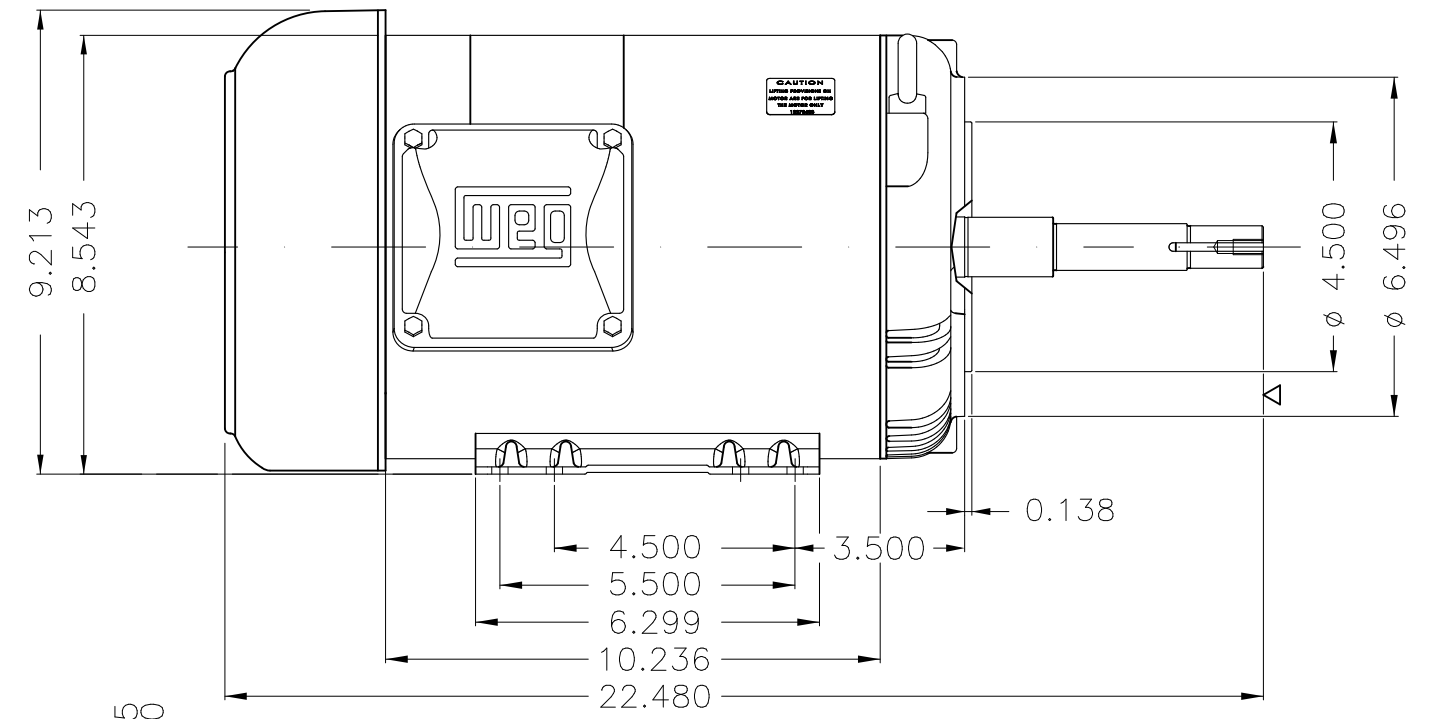
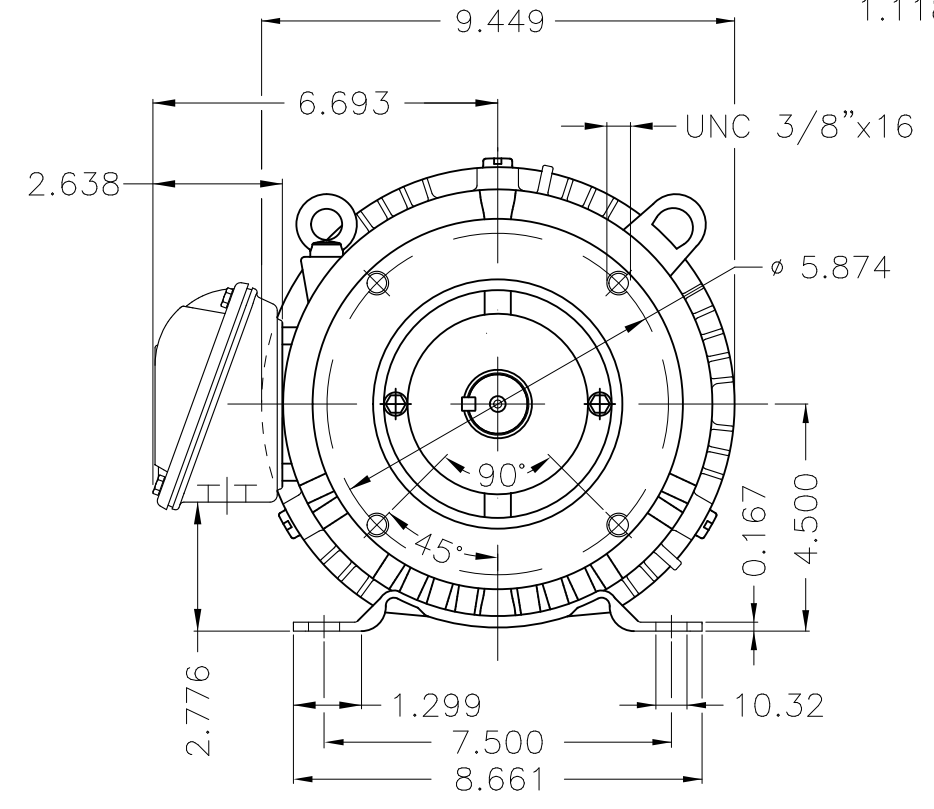
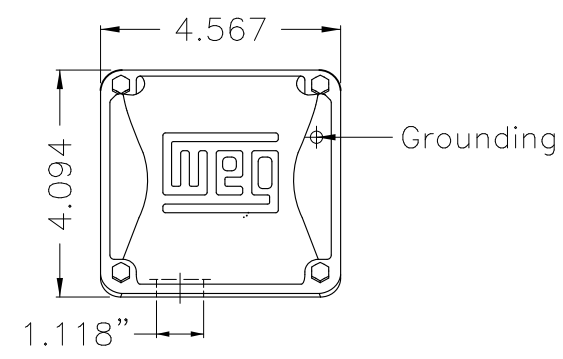
Moment of inertia (J) : 0.2079 sq.ft.lb  
 Duty cycle : Cont.(S1)  
 Insulation class : F  
 Service factor : 1.00  
 Temperature rise : 105 K  
 Design : B

Rev.	Changes Summary	Performed	Checked	Date
Performed by			Page	Revision
Checked by				
Date				



1 2 3 4 5 6

A  
B  
C  
D  
E



EUNC 3/8"-16 WEG WPR-7309

Color Munsell N 1 matte black									
Painting plan 207N									
Mounting F-1/B34R(D)									
ECM	LOC	SUMMARY OF MODIFICATIONS			EXECUTED	CHECKED	RELEASED	DATE	VER
EXECUTED	PIRWUSER	THREE PH. MOTOR ROLLED STEEL CLOSE COUPLED PUMP JP 3/4 DE PRELIMET							
CHECKED		FRAME 182/4JP IP55 TEFC							
RELEASED									
REL DT.		WMO	Jaragua do Sul	Product Engineering					

5 HP 02 Poles 60 Hz

Dimensions in inches XME A3



**NEMA**  
**Premium**



MADE IN MEXICO

**MAT: 14328049 CC029A**

**W01.TE0IC0X0N**

**MODEL 00536ET3E184JP-S**

**07JAN2022 S/N:**

**For 60Hz: Class I, Zone 2, IIC**  
**Class I, Div.2, Gr. A,B,C,D - T3**

**Div 2 Inverter Duty (SF1.00)**

**CT 2:1/VT 1000:1**

<b>PH 3</b>	<b>Hz 60</b>	<b>HP 5.0</b>
<b>FR 182/4JP</b>		<b>KW 3.7</b>
<b>DUTY CONT.</b>		<b>V 230/460</b>
<b>ALT 1000 m.a.s.l.</b>		<b>A 11.8/5.90</b>
<b>INS CL F AT 80K</b>	<b>IP55</b>	<b>SFA 13.6/6.79</b>
<b>AMB 40°C</b>	<b>DES B</b>	<b>SF 1.15</b>
<b>ENCL TEFC</b>	<b>CODE J</b>	<b>PF 0.89</b>
<b>USABLE @ 208V 13.1A</b>		<b>RPM 3500</b>
<b>SF1.00</b>		<b>NEMA</b>
		<b>NOM. EFF 88.5%</b>

<b>ALTERNATE RATING: 5.0HP 50Hz 190-220/380-415V SF1.00</b>
<b>14.3-12.47.17-6.59A 2860RPM EFF 85.2% (IE1) IEC 60034-1</b>

For safe area-Inverter duty motor For 60Hz use on VPWM 1000:1 VT, 10:1 CT

<b>DE 6207-ZZ</b>	<b>ODE 6205-ZZ</b>	<b>MOBIL POLYREX EM</b>
-------------------	--------------------	-------------------------



INTERCHANGE ANY TWO LINE WIRES TO REVERSE THE ROTATION

**WARNING:** Motor must be grounded in accordance with local and national electrical codes to prevent serious electrical shocks. Disconnect power source before servicing unit.



**AVERTISSEMENT:** Le moteur doit être mis à la terre

conformément aux codes électriques locaux et nationaux afin d'éviter tout choc électrique grave. Déconnectez l'alimentation avant l'entretien de la machine.

