

DATA SHEET



Three Phase Induction Motor - Squirrel Cage

Customer :				
Product line	: NEMA Premium Efficiency Three-Phase			
Product code :	12038008			
Catalog # :	00536ET3H184JM-W22			
Frame : 182/4JM Output : 5 HP (3.7 kW) Poles : 2 Frequency : 60 Hz Rated voltage : 575 V Rated current : 4.72 A L. R. Amperes : 35.9 A LRC : 7.6x(Code J) No load current : 1.60 A Rated speed : 3485 rpm Slip : 3.19 % Rated torque : 7.53 ft.lb Locked rotor torque : 229 % Breakdown torque : 350 % Insulation class : F Service factor : 1.25 Moment of inertia (J) : 0.2233 sq.ft.lb Design : B	Locked rotor time : 45s (cold) 25s (hot) Temperature rise : 80 K Duty cycle : Cont.(S1) Ambient temperature : -20°C to +40°C Altitude : 1000 m.a.s.l. Protection degree : IP55 Cooling method : IC411 - TEFC Mounting : F-1 Rotation ¹ : Both (CW and CCW) Noise level ² : 66.0 dB(A) Starting method : Direct On Line Approx. weight ³ : 94.8 lb			
Output	25% 50% 75% 100%			
Efficiency (%)	86.1 86.5 88.5 88.5			
Power Factor	0.51 0.76 0.85 0.89			
Foundation loads				
Max. traction	: 121 lb			
Max. compression	: 216 lb			
Bearing type	: <u>Drive end</u> 6307 ZZ <u>Non drive end</u> 6206 ZZ			
Sealing	: V'Ring V'Ring			
Lubrication interval	: - -			
Lubricant amount	: - -			
Lubricant type	: Mobil Polyrex EM			
Notes				
This revision replaces and cancel the previous one, which must be eliminated. (1) Looking the motor from the shaft end. (2) Measured at 1m and with tolerance of +3dB(A). (3) Approximate weight subject to changes after manufacturing process. (4) At 100% of full load.				
These are average values based on tests with sinusoidal power supply, subject to the tolerances stipulated in NEMA MG-1.				
Rev.	Changes Summary	Performed	Checked	Date
Performed by				
Checked by			Page	Revision
Date	13/04/2022		1 / 6	

TORQUE AND CURRENT VS SPEED CURVE

Three Phase Induction Motor - Squirrel Cage



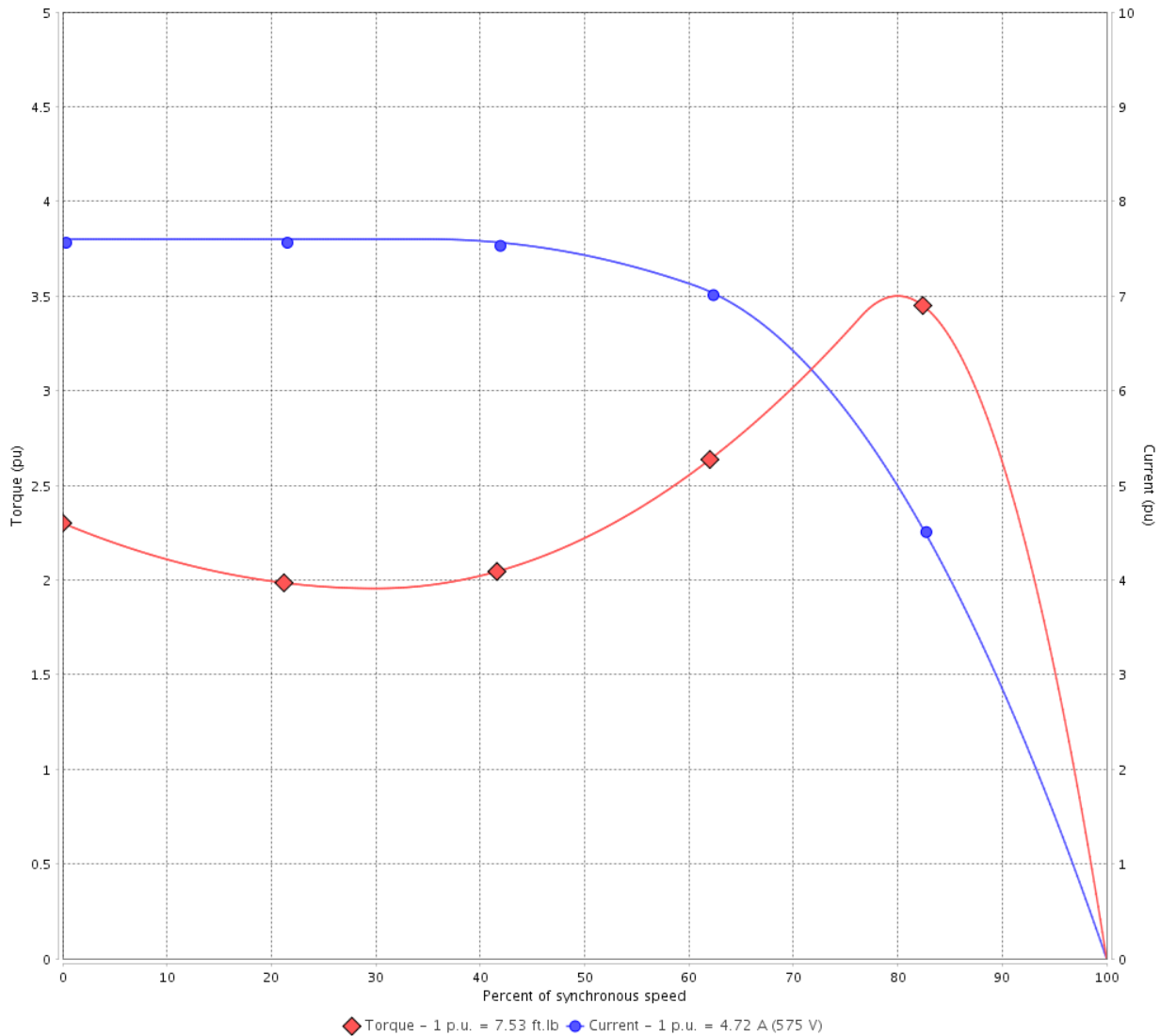
Customer :

Product line : NEMA Premium Efficiency Three-Phase

Product code : 12038008

Catalog # : 00536ET3H184JM-W22

TORQUE AND CURRENT VS SPEED CURVE



Performance : 575 V 60 Hz 2P

Rated current	: 4.72 A	Moment of inertia (J)	: 0.2233 sq.ft.lb
LRC	: 7.6	Duty cycle	: Cont.(S1)
Rated torque	: 7.53 ft.lb	Insulation class	: F
Locked rotor torque	: 229 %	Service factor	: 1.25
Breakdown torque	: 350 %	Temperature rise	: 80 K
Rated speed	: 3485 rpm	Design	: B

Locked rotor time : 45s (cold) 25s (hot)

Rev.	Changes Summary	Performed	Checked	Date
Performed by			Page 2 / 6	Revision
Checked by				
Date	13/04/2022			

LOAD PERFORMANCE CURVE

Three Phase Induction Motor - Squirrel Cage

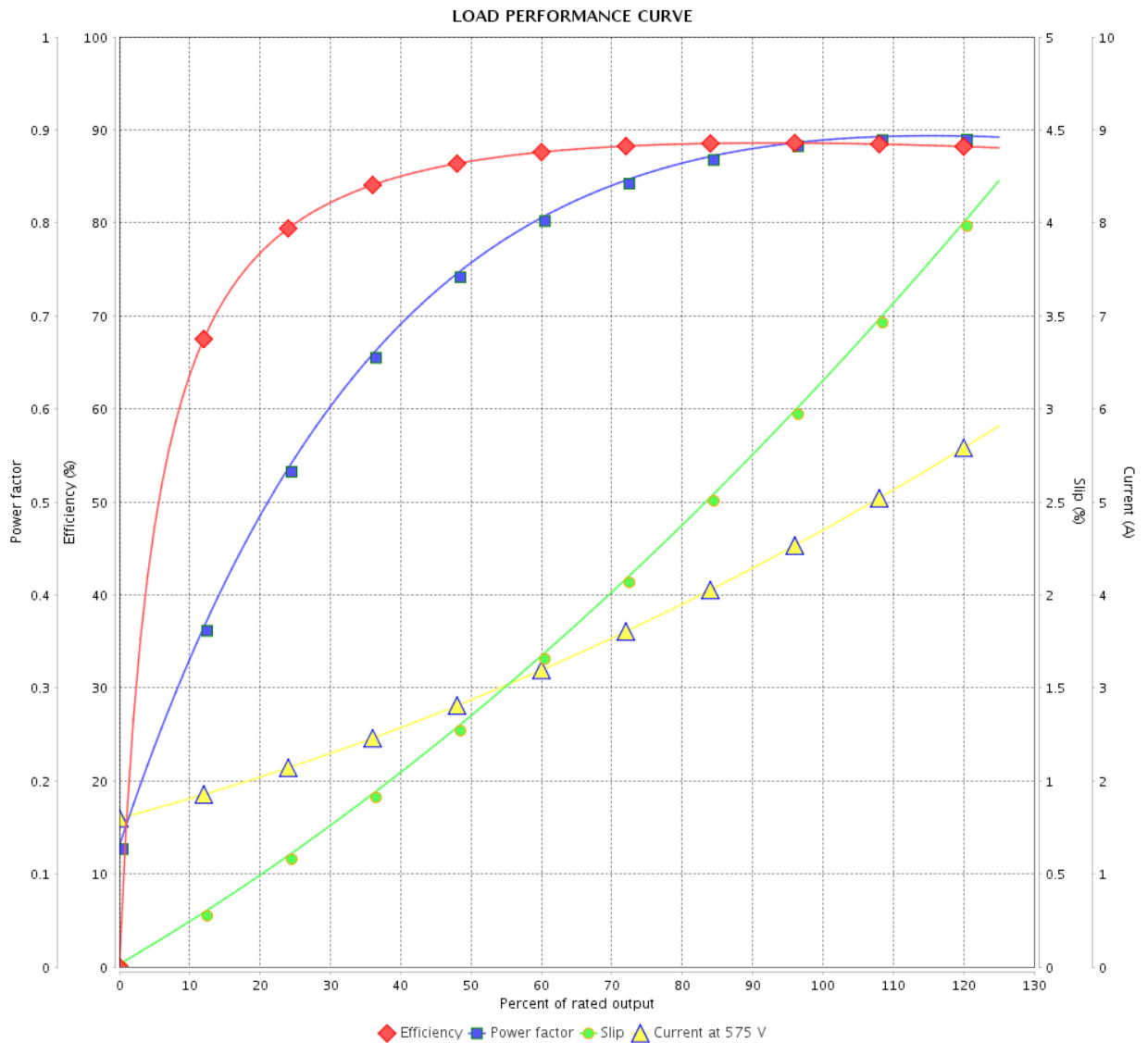


Customer : _____

Product line : NEMA Premium Efficiency Three-Phase

Product code : 12038008

Catalog # : 00536ET3H184JM-W22



Performance : 575 V 60 Hz 2P

Rated current : 4.72 A
 LRC : 7.6
 Rated torque : 7.53 ft.lb
 Locked rotor torque : 229 %
 Breakdown torque : 350 %
 Rated speed : 3485 rpm

Moment of inertia (J) : 0.2233 sq.ft.lb
 Duty cycle : Cont.(S1)
 Insulation class : F
 Service factor : 1.25
 Temperature rise : 80 K
 Design : B

Rev.	Changes Summary	Performed	Checked	Date
Performed by			Page	Revision
Checked by				
Date				
			3 / 6	

THERMAL LIMIT CURVE



Three Phase Induction Motor - Squirrel Cage

Customer :

Product line : NEMA Premium Efficiency Three-Phase
Product code : 12038008
Catalog # : 00536ET3H184JM-W22

Performance : 575 V 60 Hz 2P

Rated current	: 4.72 A	Moment of inertia (J)	: 0.2233 sq.ft.lb
LRC	: 7.6	Duty cycle	: Cont.(S1)
Rated torque	: 7.53 ft.lb	Insulation class	: F
Locked rotor torque	: 229 %	Service factor	: 1.25
Breakdown torque	: 350 %	Temperature rise	: 80 K
Rated speed	: 3485 rpm	Design	: B

Heating constant

Cooling constant

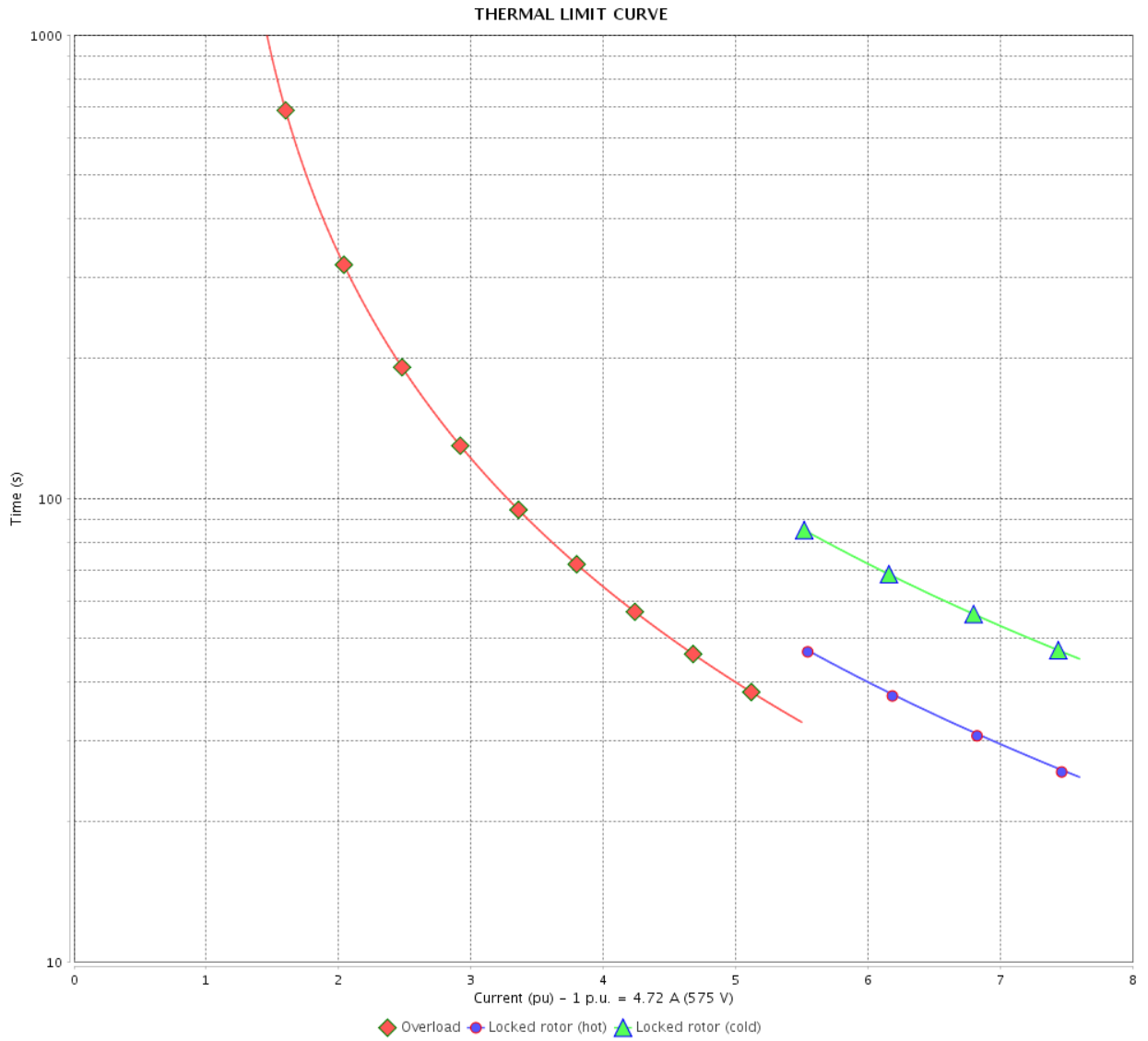
Rev.	Changes Summary	Performed	Checked	Date
Performed by				
Checked by			Page	Revision
Date	13/04/2022		4 / 6	

THERMAL LIMIT CURVE

Three Phase Induction Motor - Squirrel Cage



Customer : _____



Rev.	Changes Summary	Performed	Checked	Date
Performed by		Page 5 / 6		Revision
Checked by				
Date				

VFD OPERATION CURVE

Three Phase Induction Motor - Squirrel Cage



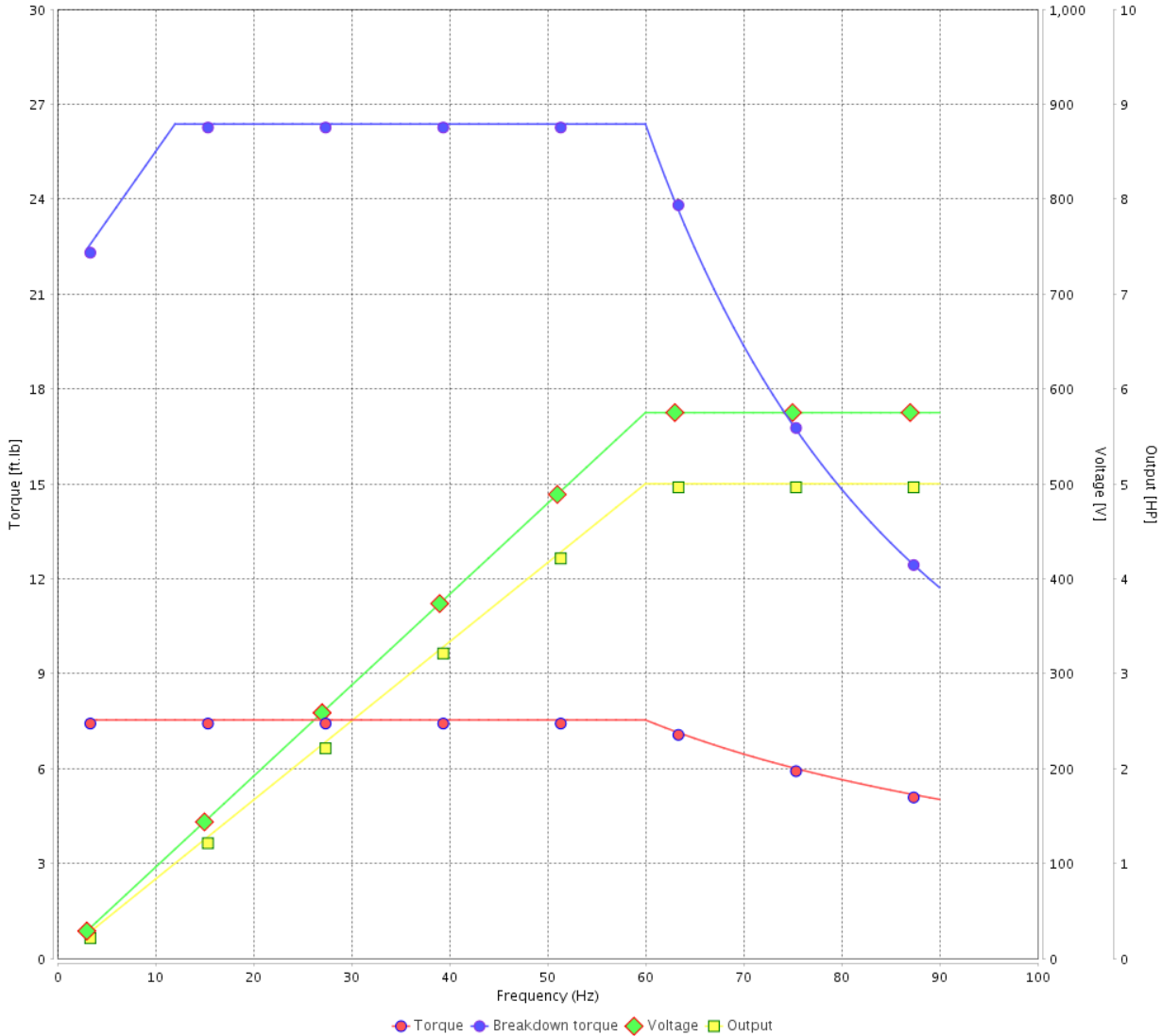
Customer :

Product line : NEMA Premium Efficiency Three-Phase

Product code : 12038008

Catalog # : 00536ET3H184JM-W22

VFD OPERATION CURVE



Performance : 575 V 60 Hz 2P

Rated current : 4.72 A
 LRC : 7.6
 Rated torque : 7.53 ft.lb
 Locked rotor torque : 229 %
 Breakdown torque : 350 %
 Rated speed : 3485 rpm

Moment of inertia (J) : 0.2233 sq.ft.lb
 Duty cycle : Cont.(S1)
 Insulation class : F
 Service factor : 1.25
 Temperature rise : 80 K
 Design : B

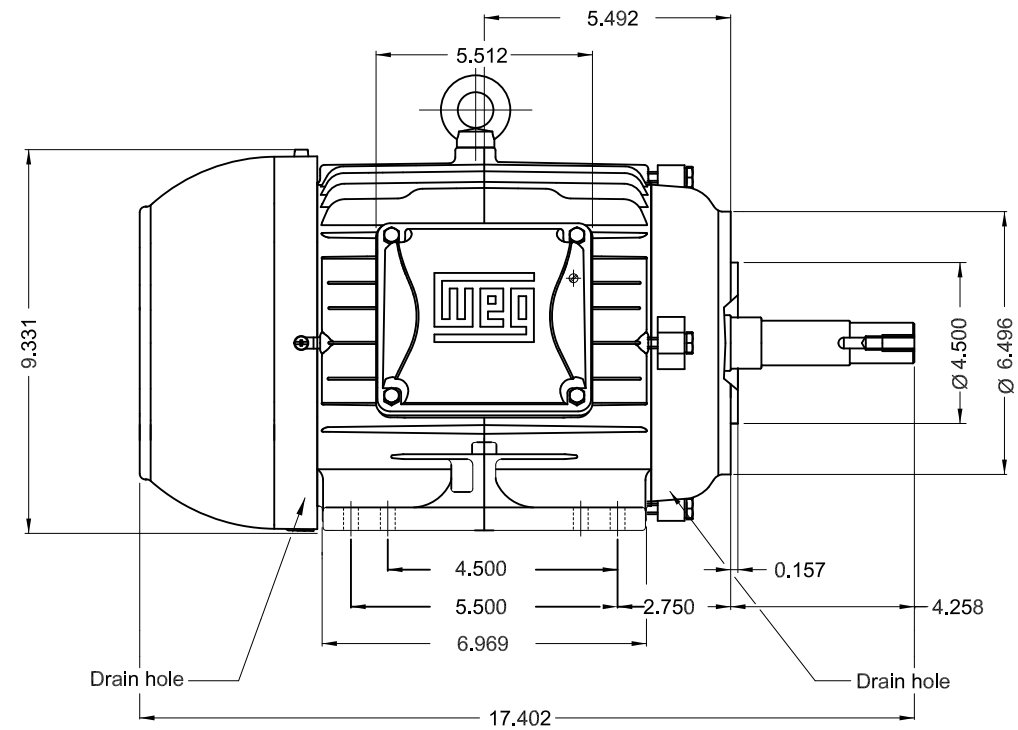
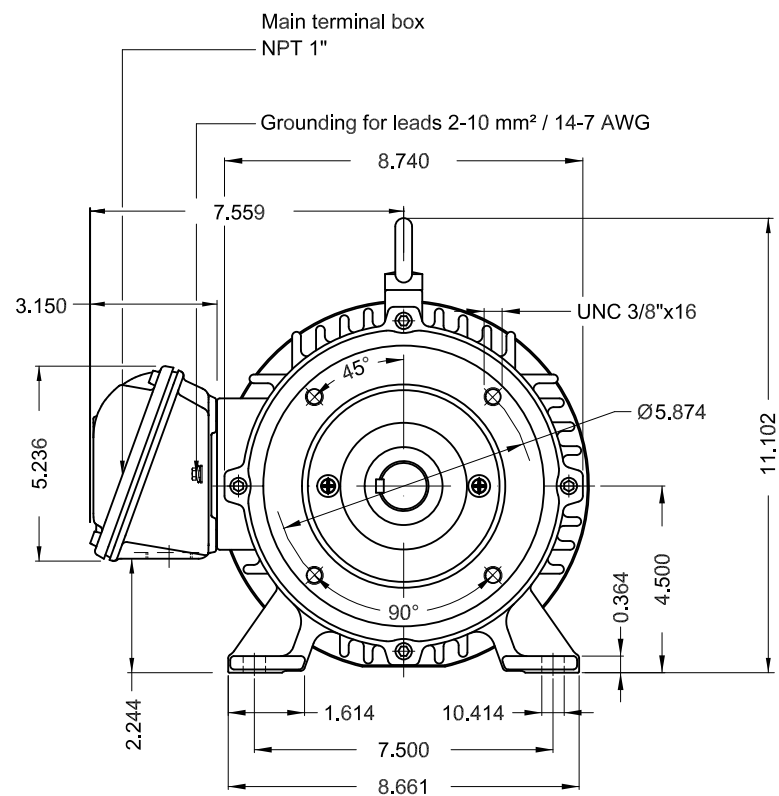
Rev.	Changes Summary	Performed	Checked	Date
Performed by			Page 6 / 6	Revision
Checked by				
Date	13/04/2022			

1 2 3 4 5 6

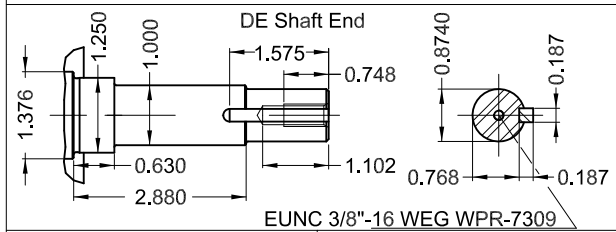
A

B

C



D

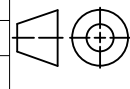


E

Color RAL 5009
 Painting plan 207A
 Mounting NEMA F-1
 Mounting B34R(D)

5 HP 02 Poles 60 Hz

A

ECM	LOC	SUMMARY OF MODIFICATIONS	EXECUTED	CHECKED	RELEASED	DATE	VER
EXECUTED	PIRWBUSER	 THREE PH. MOTOR JM/JP/JET PUMP W22 PREM. EFF. FRAME 182/4JM IP55 TEFC					
CHECKED							
RELEASED							
REL DT.	WMO		Jaragua do Sul	Product Engineering	SHEET	1 / 1	

PREVIEW
 WDD



**W22**

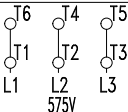
CC029A

® Inverter Duty Motor
Severe Duty

12038008

MADE IN BRAZIL MODEL 00536ET3H184JM-W22

PH 3	FR 182/4JM	HP(kW) 5.0(3.7)	Hz 60	SF 1.25	PF 0.89
V 575	A 4.72	RPM 3485	INS. CL.F Δ T 80 K		
NEMA NOM EFF 88.5 % DES B DUTY CONT.				AMB 40°C	
ENCL TEFC	IP55	SFA 5.90	ALT 1000 m.a.s.l.		
					CODE J



MOBIL POLYREX EM

93 Lbs

Class I, Div 2, Gr. A, B, C and D - T3

Class I, Zone 2, IIC - T3

Class II, Div 2, Gr. F and G - T5

For use on PWM, Gr. A, B, C, D, F and G

VT1000:1, CT20:1, 1.0SF, T4A

FOR SAFE AREA
MOD.TE1BFOXON