

DATA SHEET



Three Phase Induction Motor - Squirrel Cage

Customer :

Product line : JP Pump NEMA Premium
Efficiency Three-Phase

Product code : 13503344

Catalog # : 00536OT3V182JP-S

Frame : 182/4JP
Output : 5 HP (3.7 kW)
Poles : 2
Frequency : 60 Hz
Rated voltage : 200/400 V
Rated current : 14.0/7.01 A
L. R. Amperes : 107/53.3 A
LRC : 7.6x(Code J)
No load current : 5.93/2.96 A
Rated speed : 3510 rpm
Slip : 2.50 %
Rated torque : 7.48 ft.lb
Locked rotor torque : 190 %
Breakdown torque : 300 %
Insulation class : F
Service factor : 1.15
Moment of inertia (J) : 0.1386 sq.ft.lb
Design : B

Locked rotor time : 21s (cold) 12s (hot)
Temperature rise : 80 K
Duty cycle : Cont.(S1)
Ambient temperature : -20°C to +40°C
Altitude : 1000 m.a.s.l.
Cooling method : IC01 - ODP
Mounting : F-1
Rotation¹ : Both (CW and CCW)
Noise level² : 65.0 dB(A)
Starting method : Direct On Line
Approx. weight³ : 58.7 lb

Output 25% 50% 75% 100%

Efficiency (%)	85.2	85.5	86.5	86.5
Power Factor	0.45	0.73	0.83	0.88

Foundation loads

Max. traction : 114 lb
Max. compression : 172 lb

	Drive end	Non drive end
Bearing type	: 6207 ZZ	: 6205 ZZ
Sealing	: Without Bearing Seal	: Without Bearing Seal
Lubrication interval	: -	: -
Lubricant amount	: -	: -
Lubricant type	: Mobil Polyrex EM	

Notes

This revision replaces and cancel the previous one, which must be eliminated.

- (1) Looking the motor from the shaft end.
- (2) Measured at 1m and with tolerance of +3dB(A).
- (3) Approximate weight subject to changes after manufacturing process.
- (4) At 100% of full load.

These are average values based on tests with sinusoidal power supply, subject to the tolerances stipulated in NEMA MG-1.

Rev.	Changes Summary	Performed	Checked	Date
Performed by				
Checked by			Page	Revision
Date	13/04/2022		1 / 6	

TORQUE AND CURRENT VS SPEED CURVE

Three Phase Induction Motor - Squirrel Cage



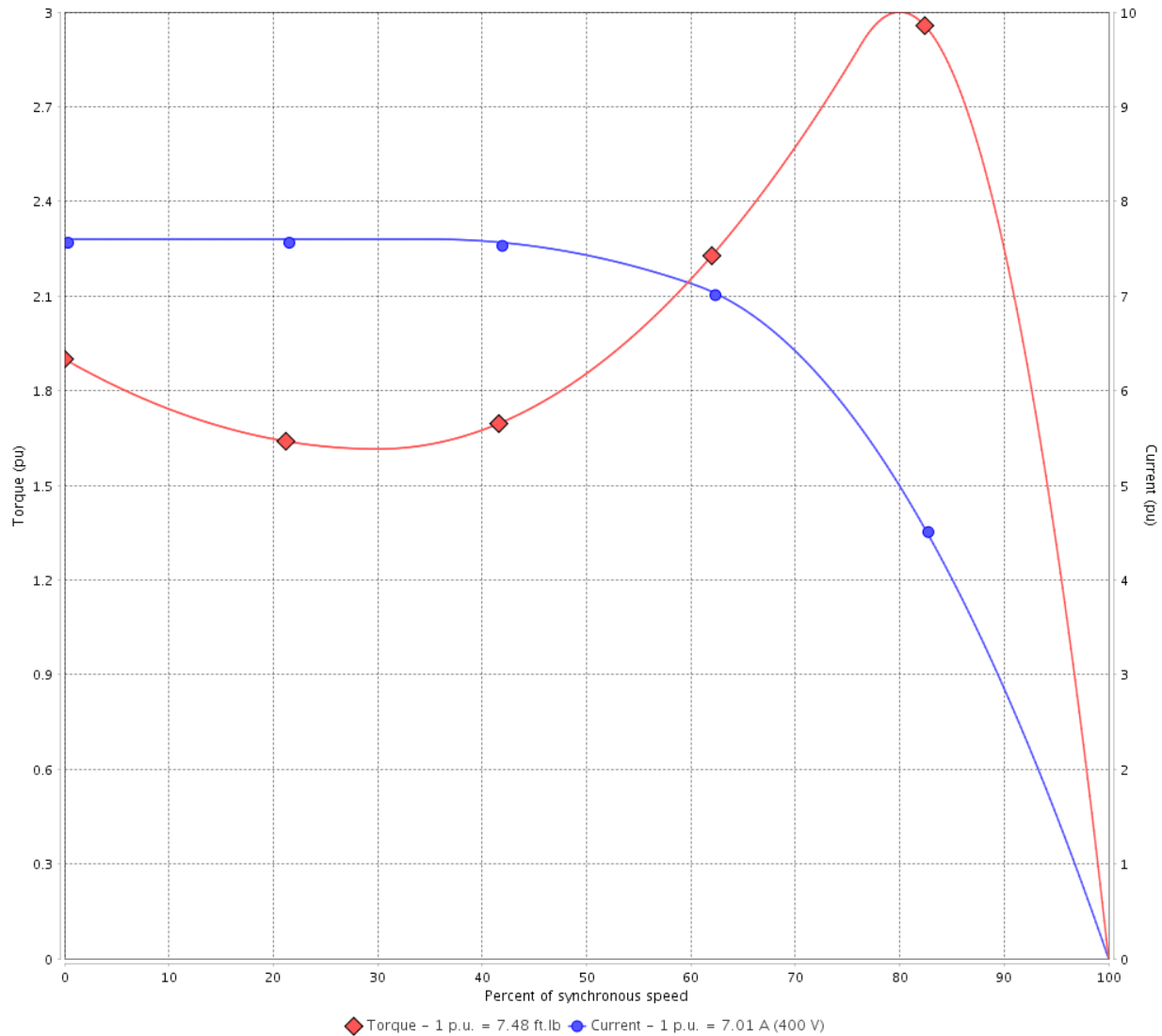
Customer :

Product line : JP Pump NEMA Premium
Efficiency Three-Phase

Product code : 13503344

Catalog # : 005360T3V182JP-S

TORQUE AND CURRENT VS SPEED CURVE



Performance : 200/400 V 60 Hz 2P

Rated current	: 14.0/7.01 A	Moment of inertia (J)	: 0.1386 sq.ft.lb
LRC	: 7.6	Duty cycle	: Cont.(S1)
Rated torque	: 7.48 ft.lb	Insulation class	: F
Locked rotor torque	: 190 %	Service factor	: 1.15
Breakdown torque	: 300 %	Temperature rise	: 80 K
Rated speed	: 3510 rpm	Design	: B

Locked rotor time : 21s (cold) 12s (hot)

Rev.	Changes Summary	Performed	Checked	Date
Performed by			Page 2 / 6	Revision
Checked by				
Date	13/04/2022			

LOAD PERFORMANCE CURVE

Three Phase Induction Motor - Squirrel Cage

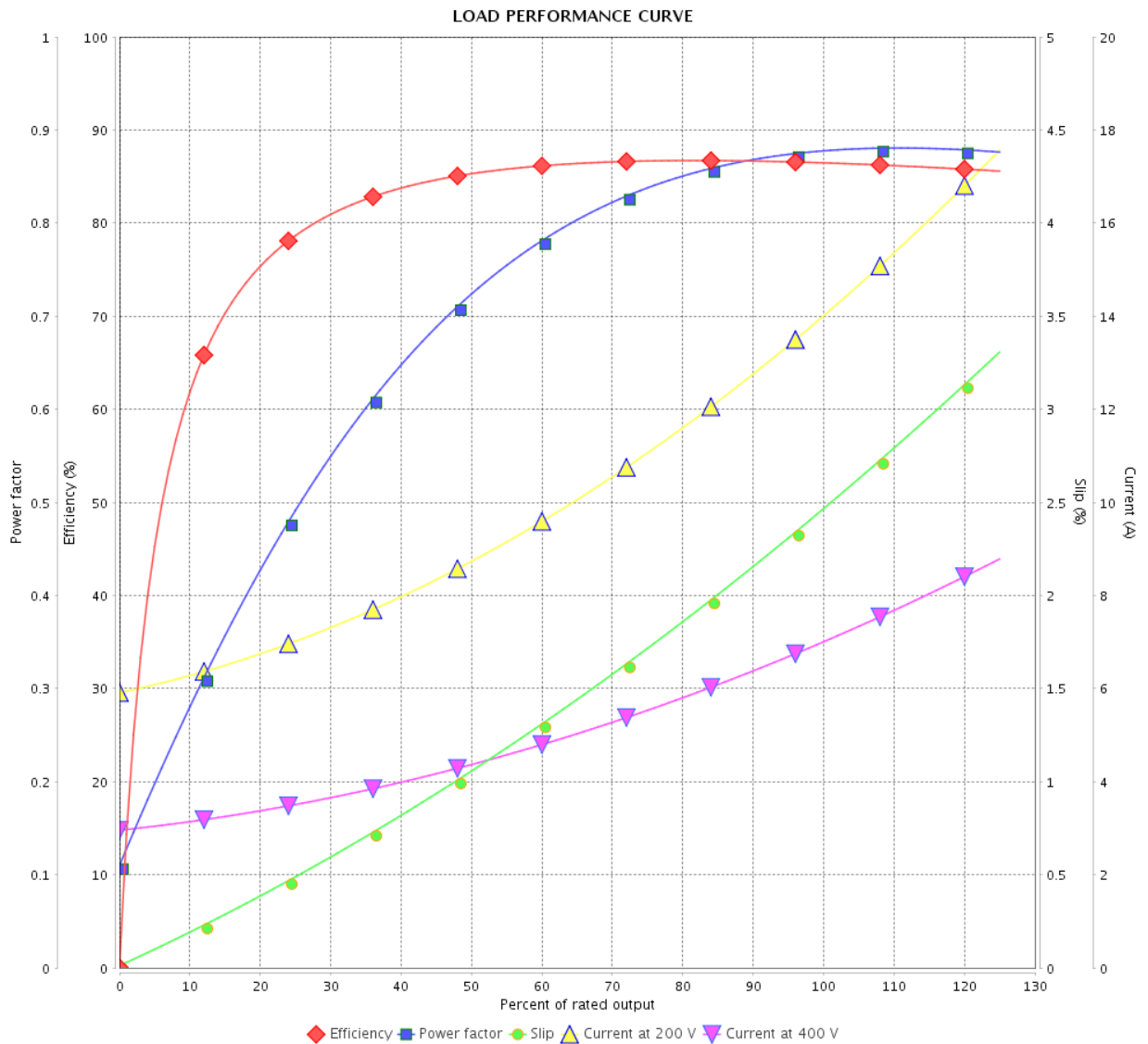


Customer : _____

Product line : JP Pump NEMA Premium
Efficiency Three-Phase

Product code : 13503344

Catalog # : 00536OT3V182JP-S



Performance : 200/400 V 60 Hz 2P

Rated current : 14.0/7.01 A
 LRC : 7.6
 Rated torque : 7.48 ft.lb
 Locked rotor torque : 190 %
 Breakdown torque : 300 %
 Rated speed : 3510 rpm

Moment of inertia (J) : 0.1386 sq.ft.lb
 Duty cycle : Cont.(S1)
 Insulation class : F
 Service factor : 1.15
 Temperature rise : 80 K
 Design : B

Rev.	Changes Summary	Performed	Checked	Date
Performed by		Page		Revision
Checked by		3 / 6		
Date		13/04/2022		

THERMAL LIMIT CURVE



Three Phase Induction Motor - Squirrel Cage

Customer :

Product line : JP Pump NEMA Premium
Efficiency Three-Phase

Product code : 13503344

Catalog # : 00536OT3V182JP-S

Performance : 200/400 V 60 Hz 2P

Rated current : 14.0/7.01 A
LRC : 7.6
Rated torque : 7.48 ft.lb
Locked rotor torque : 190 %
Breakdown torque : 300 %
Rated speed : 3510 rpm

Moment of inertia (J) : 0.1386 sq.ft.lb
Duty cycle : Cont.(S1)
Insulation class : F
Service factor : 1.15
Temperature rise : 80 K
Design : B

Heating constant

Cooling constant

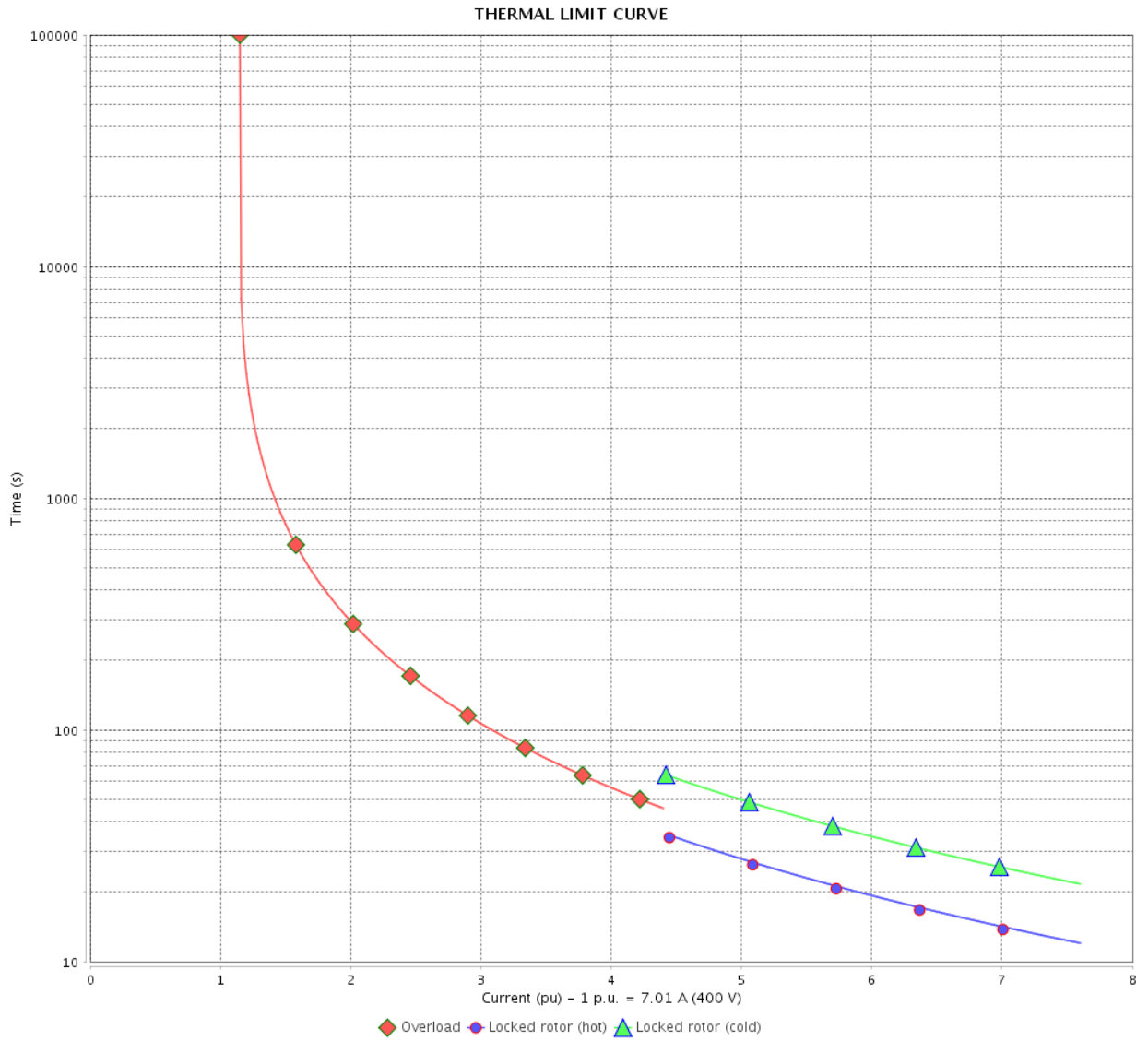
Rev.	Changes Summary	Performed	Checked	Date
Performed by				
Checked by			Page	Revision
Date	13/04/2022		4 / 6	

THERMAL LIMIT CURVE

Three Phase Induction Motor - Squirrel Cage



Customer : _____



Rev.	Changes Summary	Performed	Checked	Date
Performed by		Page 5 / 6		Revision
Checked by				
Date				

VFD OPERATION CURVE

Three Phase Induction Motor - Squirrel Cage

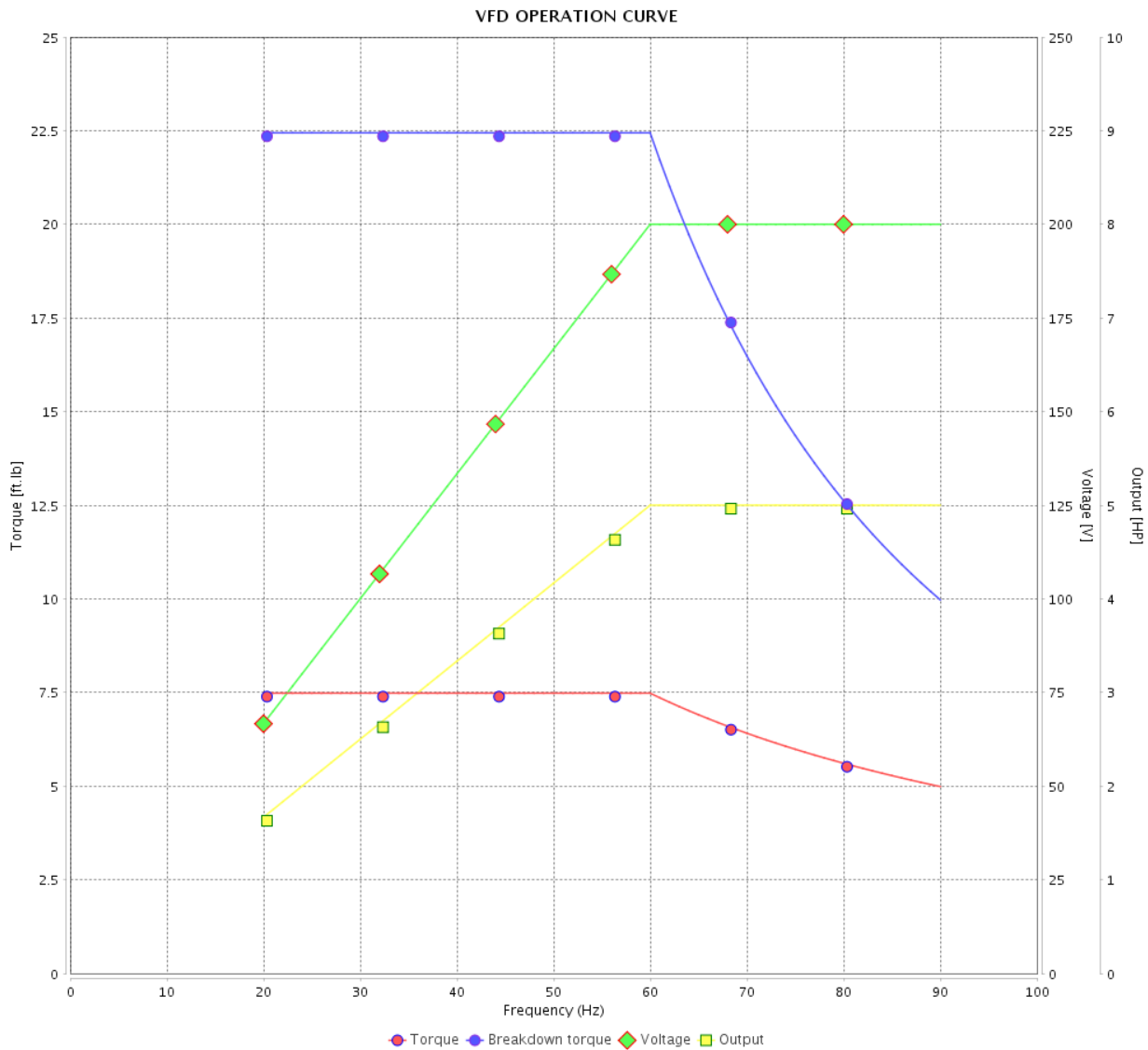


Customer :

Product line : JP Pump NEMA Premium Efficiency Three-Phase

Product code : 13503344

Catalog # : 00536OT3V182JP-S



Performance : 200/400 V 60 Hz 2P

Rated current : 14.0/7.01 A
 LRC : 7.6
 Rated torque : 7.48 ft.lb
 Locked rotor torque : 190 %
 Breakdown torque : 300 %
 Rated speed : 3510 rpm

Moment of inertia (J) : 0.1386 sq.ft.lb
 Duty cycle : Cont.(S1)
 Insulation class : F
 Service factor : 1.15
 Temperature rise : 80 K
 Design : B

Rev.	Changes Summary	Performed	Checked	Date
Performed by			Page 6 / 6	Revision
Checked by				
Date	13/04/2022			

1 2 3 4 5 6

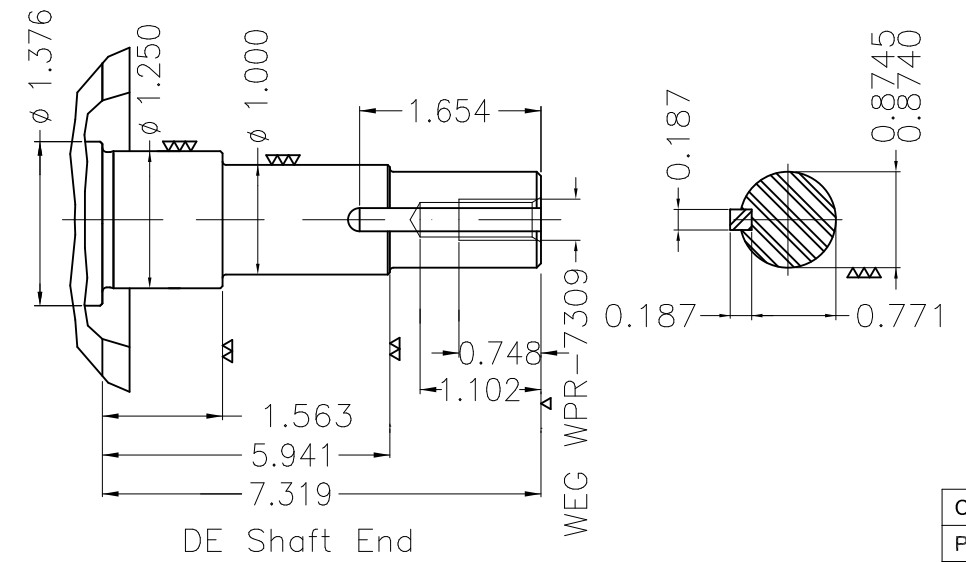
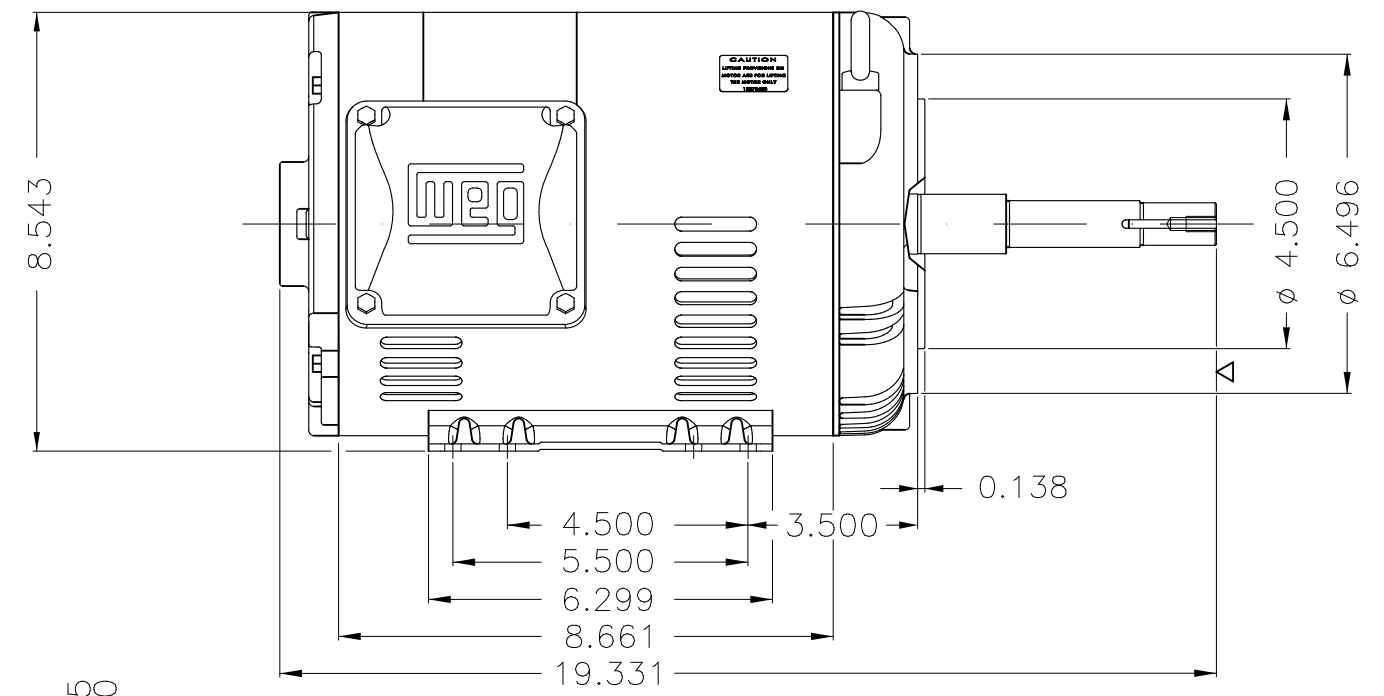
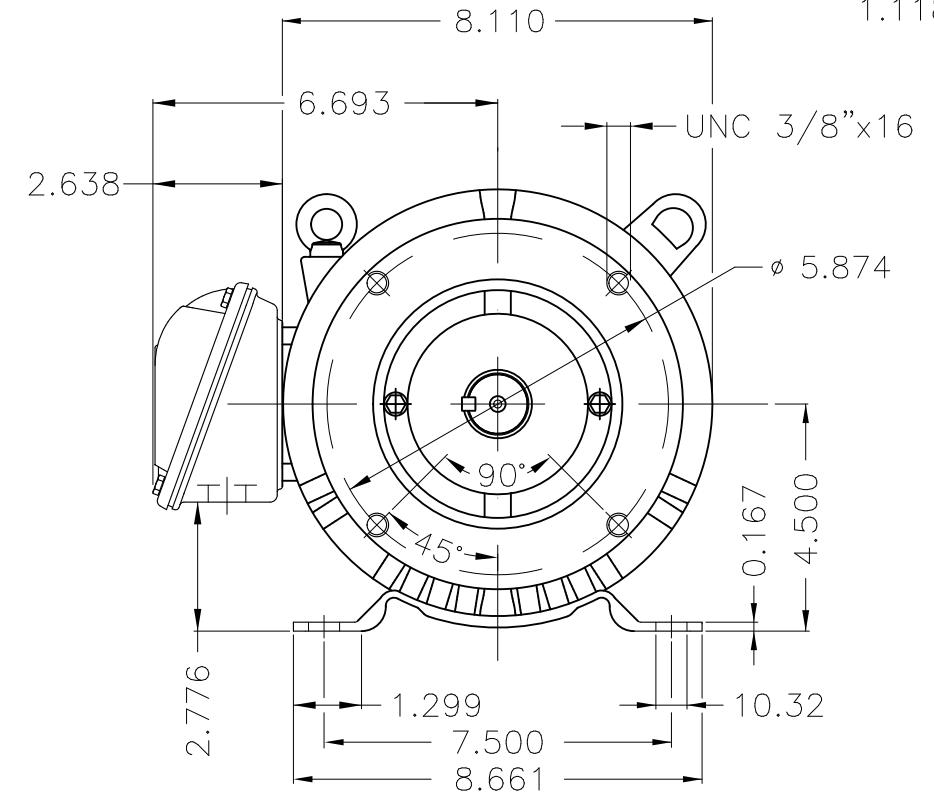
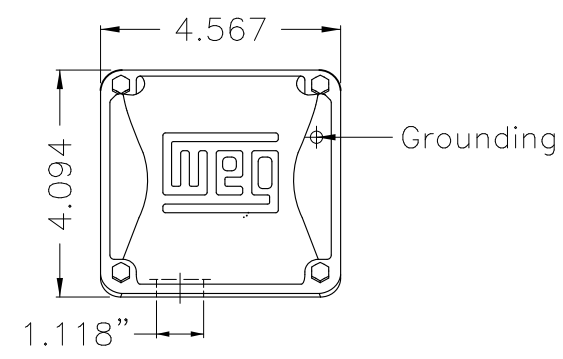
A

B

C

D

E



EUNC 3/8"-16 WEG WPR-7309

DE Shaft End

Color Munsell N 1 matte black
 Painting plan 207N
 Mounting F-1/B34R(D)

ECM	LOC	SUMMARY OF MODIFICATIONS	EXECUTED	CHECKED	RELEASED	DATE	VER
EXECUTED	PIRWBUSER	THREE PH. MOTOR ROLLED STEEL CLOSE COUPLED PUMP JP 3/4 DE PRELIMET					
CHECKED		FRAME 182/4JP IP21 ODP					
RELEASED							
REL DT.	WMO	Jaragua do Sul	Product Engineering	WDD	SHEET	1 / 1	

5 HP 02 Poles 60 Hz

